



# Service

This manual is to be used by qualified appliance technicians only. Maytag does not assume any responsibility for property damage or personal injury for improper service procedures done by an unqualified person.

## Top Load Washers

This Base Manual covers general information  
Refer to individual Technical Sheet  
for information on specific models

This manual includes, but is  
not limited to the following:

**NAV2330**  
**NAV3330**  
**NAV5800**  
**NAV6800**  
**NAV8800**  
**SAV2555**  
**SAV2655**  
**SAV205D**  
**SAV365Z**  
**SAV365A**  
**SAV3655**  
**SAV3710**  
**SAV4655**  
**SAV4710**  
**SAV405D**  
**SAV5710**  
**SAV515D**  
**SAV5910**



16022937  
Revision 0  
March 2005

# Important Information

## Important Notices for Servicers and Consumers

Maytag will not be responsible for personal injury or property damage from improper service procedures. Pride and workmanship go into every product to provide our customers with quality products. It is possible, however, that during its lifetime a product may require service. Products should be serviced only by a qualified service technician who is familiar with the safety procedures required in the repair and who is equipped with the proper tools, parts, testing instruments and the appropriate service information. **IT IS THE TECHNICIANS RESPONSIBILITY TO REVIEW ALL APPROPRIATE SERVICE INFORMATION BEFORE BEGINNING REPAIRS.**



### **WARNING**

To avoid risk of severe personal injury or death, disconnect power before working/servicing on appliance to avoid electrical shock.

To locate an authorized servicer, please consult your telephone book or the dealer from whom you purchased this product. For further assistance, please contact:

### Customer Service Support Center

CAIR Center

<b>Web Site</b>	<b>Telephone Number</b>
WWW.AMANA.COM .....	1-800-843-0304
WWW.MAYTAG.COM .....	1-800-688-9900
CAIR Center in Canada .....	1-800-688-2002
Amana Canada Product .....	1-866-587-2002

### Recognize Safety Symbols, Words, and Labels



### **DANGER**

**DANGER**—Immediate hazards which **WILL** result in severe personal injury or death.



### **WARNING**

**WARNING**—Hazards or unsafe practices which **COULD** result in severe personal injury or death.



### **CAUTION**

**CAUTION**—Hazards or unsafe practices which **COULD** result in minor personal injury, product or property damage.

# Table of Contents

Important Information .....	2	Disassembly Procedures	
Important Safety Information .....	4	Control Hood Assembly .....	19
General Information		Control Hood End Panels .....	19
Proper Grounding and Polarization of		Timer .....	19
120 Volts Wall Outlets .....	5	Temperature and Speed Switch .....	20
Grounding Instructions .....	5	Pressure Switch .....	20
Model Identification .....	6	Rocker Switch .....	21
General Operation Definition .....	7	Graphic Panel .....	21
Component Testing Information .....	8	Loading Door .....	21
Internal Motor Diagram and Schematic .....	10	Front Panel .....	22
Automatic Temperature Control .....	13	Top Cover .....	22
Troubleshooting Procedures		Agitator .....	23
Leaking. ....	16	Door Switch .....	23
Will Not Drain. ....	16	Drive Bell and Seal Assembly Style Units .....	23
No Water Fill. ....	16	Installing Drive Bell .....	24
Vibration .....	16	Counter Balance Spring .....	25
Will Not Start. ....	16	Triple Lip Bearing Style Units .....	25
Wrong Water Temperature. ....	16	Motor and Mounting Bracket .....	27
Will Not Spin. ....	16	Pump and Belt Removal .....	27
Clothes Wet After Spin. ....	16	Reassembly of Pump and Belt .....	28
Tub Full Of Water. ....	16	Motor Disassembly .....	28
Water Fill Does Not Stop At Proper Level. ....	17	Idler Lever and Pulley .....	28
Timer Does Not Advance. ....	17	Motor Drive Pulley .....	29
Motor Does Not Operate. ....	17	Motor Switch .....	29
Washer Smokes, Overheats, and Cycles on Overload		Mixing Valve .....	29
Protector or Switch Actuator Kicks In and Out. ....	17	Tub Cover and Gasket .....	29
No Agitation. ....	17	Washtub and Balance Ring .....	30
Constant Agitation. ....	17	Drive Pulley, Helix and Brake .....	30
Constant Spin. ....	17	Weldment and Bearing Assembly .....	31
Washer Stops In Middle of Cycle or Quits After a		Transmission Assembly .....	31
Couple of Loads--Intermittent. ....	17	Upper Bearing Assembly .....	32
Washer Locks Up Or Binding. ....	17	Friction Ring .....	32
		Appendix A	
		Installation Instructions .....	A-2
		Appendix B	
		Owner's Manual .....	B-2
		Appendix C	
		Owner's Manual .....	C-2
		Appendix D	
		Owner's Manual .....	D-2
		Appendix E	
		Owner's Manual .....	E-2
		Appendix F	
		Installation Manual .....	F-2

# Important Safety Information



## WARNING

To reduce the risk of fire, electric shock, serious injury or death to persons when using your washer, follow these basic precautions:

- Read all instructions before using the washer.
- Refer to the Grounding Instructions in the Installation Manual for the proper grounding of the washer.
- Do not wash articles that have been previously cleaned in, washed in, soaked in, or spotted with gasoline, dry-cleaning solvents, or other flammable or explosive substances as they give off vapors that could ignite or explode.
- Do not add gasoline, dry-cleaning solvents, or other flammable or explosive substances to the wash water. These substances give off vapors that could ignite or explode.
- Under certain conditions, hydrogen gas may be produced in a hot water system that has not been used for two weeks or more. Hydrogen gas is explosive. If the hot water system has not been used for such a period, before using a washing machine or combination washer-dryer, turn on all hot water faucets and let the water flow from each for several minutes. This will release any accumulated hydrogen gas. The gas is flammable, do not smoke or use an open flame during this time.
- Do not allow children to play on or in the washer. Close supervision of children is necessary when the washer is used near children. This is a safety rule for all appliances.
- Before the washer is removed from service or discarded, remove the door to the washing compartment.
- Do not reach into the washer if the wash tub is moving.
- Do not install or store the washer where it will be exposed to water and/or weather.
- Do not tamper with the controls.
- Do not repair or replace any part of the washer, or attempt any servicing unless specifically recommended in the User-Maintenance instructions or in published user-repair instructions that you understand and have the skills to carry out.
- To reduce the risk of an electric shock or fire, do not use an extension cord or an adapter to connect the washer to the electrical power source.
- Use your washer only for its intended purpose, washing clothes.
- Always disconnect the washer from electrical supply before attempting any service. Disconnect the power cord by grasping the plug, not the cord.
- Install the washer according to the Installation Instructions. All connections for water, drain, electrical power and grounding must comply with local codes and be made by licensed personnel when required. Do not do it yourself unless you know how!
- To reduce the risk of fire, clothes which have traces of any flammable substances such as vegetable oil, cooking oil, machine oil, flammable chemicals, thinner, etc. or anything containing wax or chemicals such as in mops and cleaning cloths, must not be put into the washer. These flammable substances may cause the fabric to catch on fire by itself.
- Do not use fabric softeners or products to eliminate static unless recommended by the manufacturer of the fabric softener or product.
- Keep your washer in good condition. Bumping or dropping the washer can damage safety features. If this occurs, have your washer checked by a qualified service person.
- Replace worn power cords and/or loose plugs.
- Be sure water connections have a shut-off valve and that fill hose connections are tight. Close the shut-off valves at the end of each wash day.
- Loading door must be closed any time the washer is in operational fill, tumble, or spin. Do not attempt to bypass the loading door switch by permitting the washer to operate with the loading door open.
- Always read and follow manufacturer's instructions on packages of laundry and cleaning aids. Heed all warnings or precautions. To reduce the risk of poisoning or chemical burns, keep them out of the reach of children at all times (preferably in a locked cabinet).
- Always follow the fabric care instructions supplied by the garment manufacturer.
- Never operate the washer with any guards and/or panels removed.
- Do not operate the washer with missing or broken parts.
- Do not bypass any safety devices.
- Failure to install, maintain, and/or operate this washer according to the manufacturer's instructions may result in conditions which can produce bodily injury and/or property damage.

**NOTE:** The Warning and Important Safety Instructions appearing in this manual are not meant to cover all possible conditions and situations that may occur. Common sense, caution and care must be exercised when installing, maintaining, or operating the washer.

Always contact your dealer, distributor, service agent or the manufacturer about any problems or conditions you do not understand.

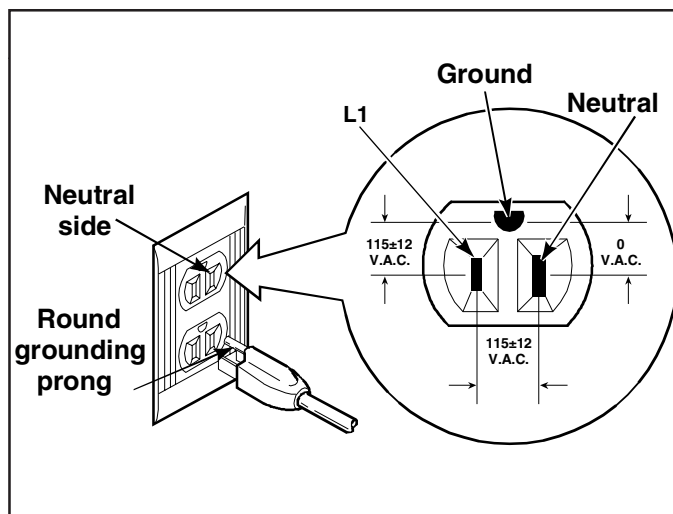
# General Information

## Proper Grounding and Polarization of 120 Volts Wall Outlets

For the safety of our customers and the service technician ALL appliances have a three-prong power cord and MUST be connected to a properly polarized AND grounded wall outlet.

This information was written for those who do not understand grounding and polarization of a wall outlet.

A 120 volt wall outlet must always be wired as shown below.



### Explanation

**Polarization**—This means that the larger slot must be neutral and the small slot must be hot (live).

**Mispolarized**—The outlet is miswired so that the larger slot is hot (live) and the smaller slot is neutral.

**Grounded**—This means the round hole connection is connected to earth ground through a connection to the main power panel.

**Ungrounded**—The round hole connection is not complete to earth ground and/or the main power panel.

## Grounding Instructions



### WARNING

- To avoid the risk of electrical shock or death, do not alter the plug.
- Do not remove grounding prong when installing grounded appliance in a home that does not have three wire grounding receptacle. Under no condition is grounding prong to be cut off or removed. It is the personal responsibility of the consumer to contact a qualified electrician and have properly grounded three prong wall receptacle installed in accordance with appropriate electrical codes
- To avoid the risk of electrical shock or death, this equipment must be grounded.

This equipment **MUST** be grounded. In the event of an electrical short circuit, grounding reduces the risk of electric shock by providing an escape wire for the electric current. This unit is equipped with a cord having a grounding wire with a grounding plug. The plug must be plugged into an outlet that is properly installed and grounded.

Consult a qualified electrician or servicer if grounding instructions are not completely understood, or if doubt exists as to whether the equipment is properly grounded.

Do not use an extension cord. If the product power cord is too short, have a qualified electrician install a three-slot receptacle. This unit should be plugged into a separate 60 hertz circuit with the electrical rating as shown in the appropriate drawing. Models operate with a 120 supply voltage.

# General Information

The following is a listing of the phone numbers and web site to be used in the Service Manuals.

## Model Identification

Complete registration card and promptly return. If registration card is missing:

- For Amana product call 1-800-843-0304 or visit the Web Site at [www.amana.com](http://www.amana.com)
- For Maytag product call 1-800-688-9900 or visit the Web Site at [www.maytag.com](http://www.maytag.com)
- For product in Canada call 1-866-587-2002 or visit the Web Sites at [www.amana.com](http://www.amana.com) or [www.maytag.com](http://www.maytag.com)

When contacting provide product information located on rating plate. Record the following:

Model Number: \_\_\_\_\_  
Manufacturing Number: \_\_\_\_\_  
Serial or S/N Number: \_\_\_\_\_  
Date of purchase: \_\_\_\_\_  
Dealer's name and address: \_\_\_\_\_

## Service

Keep a copy of sales receipt for future reference or in case warranty service is required. To locate an authorized servicer:

- For Amana product call 1-800-628-5782 or visit the Web Site at [www.amana.com](http://www.amana.com)
- For Maytag call 1-800-462-9824 or visit the Web Site at [www.maytag.com](http://www.maytag.com) or [www.jennair.com](http://www.jennair.com)
- For product in Canada call 1-866-587-2002 or visit the Web Sites at [www.amana.com](http://www.amana.com) or [www.maytag.com](http://www.maytag.com)

Warranty service must be performed by an authorized servicer. We also recommend contacting an authorized servicer, if service is required after warranty expires.

## Parts and Accessories

Purchase replacement parts and accessories over the phone. To order accessories for your product call:

- For Amana product call 1-877-232-6771 or visit the Web Site at [www.amana.com](http://www.amana.com)
- For Maytag product call 1-800-462-9824 or visit the Web Site at [www.maytag.com](http://www.maytag.com)
- For product in Canada call 1-866-587-2002 or visit the Web Sites at [www.amana.com](http://www.amana.com) or [www.maytag.com](http://www.maytag.com)

## Extended Service Plan

We offer long-term service protection for this new oven.

- A Sure™ Extended Service Plan is specially designed to supplement Amana's strong warranty. This plan covers parts, labor, and travel charges. Call 1-866-232-6244 for information.
- Dependability Plus<sup>SM</sup> Extended Service Plan is specially designed to supplement Maytag's strong warranty. This plan covers parts, labor, and travel charges. Call 1-800-925-2020 for information.

# General Information

## General Operation Definition

The cycle begins with a wash fill. The water temperature is determined by the temperature selector. While water fills the washtub, a column of air is trapped in the pressure bulb and hose. Air pressure continues to increase as the washtub fills with water until the pressure is enough to activate the pressure switch. Pressure switch then causes the wash fill to stop and agitation to begin. However, the loading door must be closed for the washer to agitate or spin.

The washer uses a reversing type motor, a special drive belt and an idler assembly. Idler assembly applies tension to the outside of the drive belt.

During agitation, the motor runs in a counterclockwise direction. The spring tension on the idler pulley applies tension required to reduce the slack on the drive belt and maintain maximum belt to motor pulley contact. This eliminates belt slippage and ensures an efficient wash action, even with extra large loads.

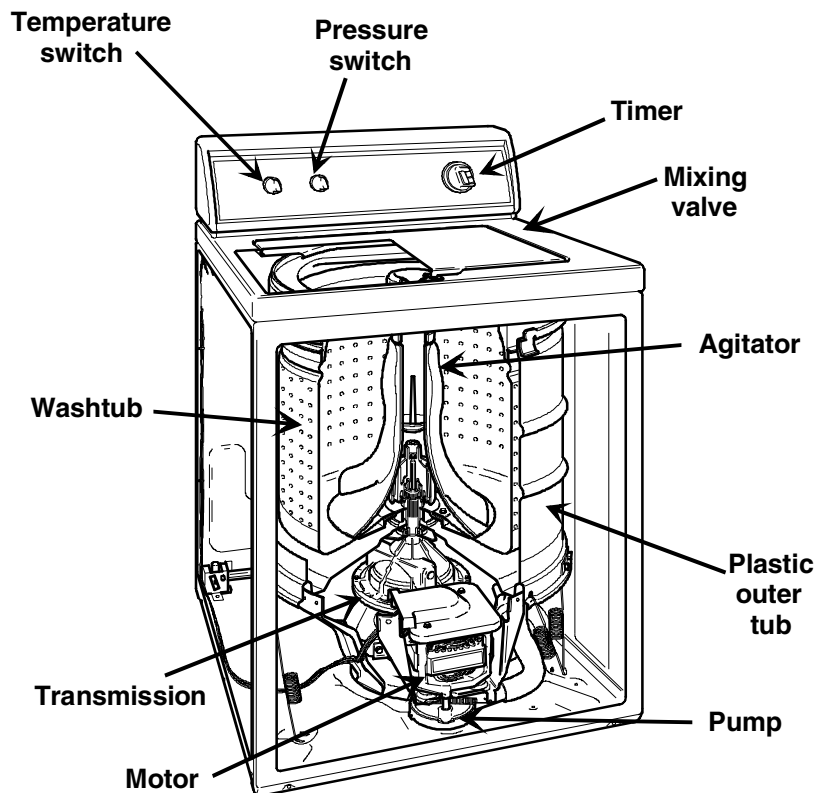
The belt drives the transmission drive pulley in a counterclockwise direction. The pulley drives the helix which is attached to the input shaft of the transmission. This causes the input shaft to turn inside of a roller clutch which is pressed into the transmission cover. This roller clutch acts as a bearing in a counterclockwise direction allowing the transmission gears to operate. The transmission's rack and pinion gear design produces a 210° agitation stroke at the output shaft of the transmission which drives the agitator. The brake assembly remains locked during the agitation mode since no pressure is applied to it by the transmission drive pulley.

After the wash agitation is completed, the timer advances into the first spin. During spin, the motor reverses turning in a clockwise direction to spin the water out of the washtub. The combination of water, washtub and load weight cause the drive belt tension on the idler side of the belt to overtake the idler spring pressure allowing the belt to slack on the opposite side. This reduces the belt to pulley contact and allows slipping between the belt and pulley.

As water is removed by the direct drive pump and the momentum of the washtub increases, the idler spring tension gradually overcomes the belt tension removing the belt slack. This eventually increases the belt to pulley contact until maximum spin speed is achieved.

The drive pulley turns clockwise riding up the ramps of the helix, exerting pressure on the brake and forcing it to release from brake pads. The helix drives the input shaft of the transmission, and when the input shaft turns in a clockwise direction the roller clutch locks onto the shaft causing the entire transmission assembly to turn. None of the gears in the transmission are operating at this time. The hub of the washtub is attached to the transmission tube and rotates with the transmission assembly. The centrifugal force created by the spinning washtub causes water to be extracted from the clothes.

Water is introduced during the first spin to "SPRAY" the garments and remove suds from them. The initial spin is followed by rinse agitation to rinse away any detergent residue. The washer fills and then agitates like the wash portion of the cycle. Following rinse agitation, a final spin extracts the rinse water from the clothes preparing them for the dryer.



# Component Testing Information



## WARNING

To avoid risk of electrical shock, personal injury, or death, disconnect power to washer before servicing, unless testing requires it.

Illustration	Component	Test Procedure	Results
	Rocker switch (Extra Rinse)	Measure resistance of switch positions: Closed (ON position) Open (OFF position)	Continuity >1 Ω Infinite 1 MΩ
	Indicator light	Measure voltage at indicator light.	If line voltage is present and light does not work replace light. If no voltage is present at indicator light check wiring.
	Signal switch	Measure resistance of the switch turned to LOUD position.	Nominal 1155 Ω ± 5%
	Temperature switch	Disconnect wires from component to properly measure the resistance of the component. Place switch in the following positions and measure across the terminals below:  Hot / Cold L1-2 _____ >1 Ω Warm / Warm L1-1, L1-2, L2-2 L2-1, L2-L1, 1-2 _____ >1 Ω Warm / Cold L1-1, L1-2, 1-2 _____ >1 Ω Cold / Cold L1-1 _____ >1 Ω	
	Speed switch	Disconnect wires from component to properly measure the resistance of the component. Place switch in the following positions and measure across the terminals shown below:  Reg / Fast L1-C, L2-C _____ >1 Ω Reg / Slow L1-C, L2-2 _____ >1 Ω Gentle / Fast L1-2, L2-C _____ >1 Ω Gentle / Slow L1-2, L2-2 _____ >1 Ω	
	Mixing valve	Measure resistance of terminals on each valve. Resistance across each valve.	Approximately 1000 Ω ± 10%
	Timer	Verify input and output voltage is present.	Refer to specific model Technical Sheet for timing sequence chart and functional description of the component.

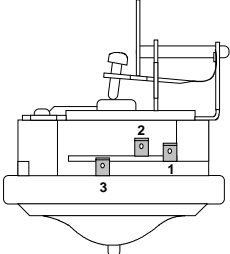
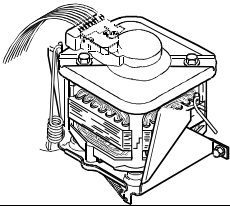
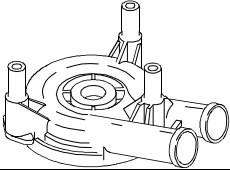
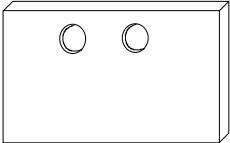
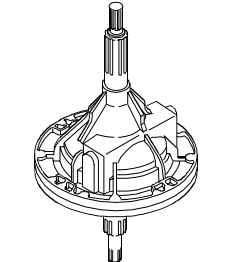
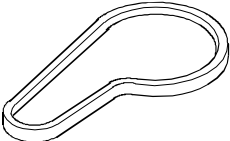
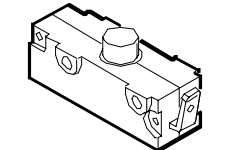


# Component Testing Information



## WARNING

To avoid risk of electrical shock, personal injury, or death, disconnect power to washer before servicing, unless testing requires it.

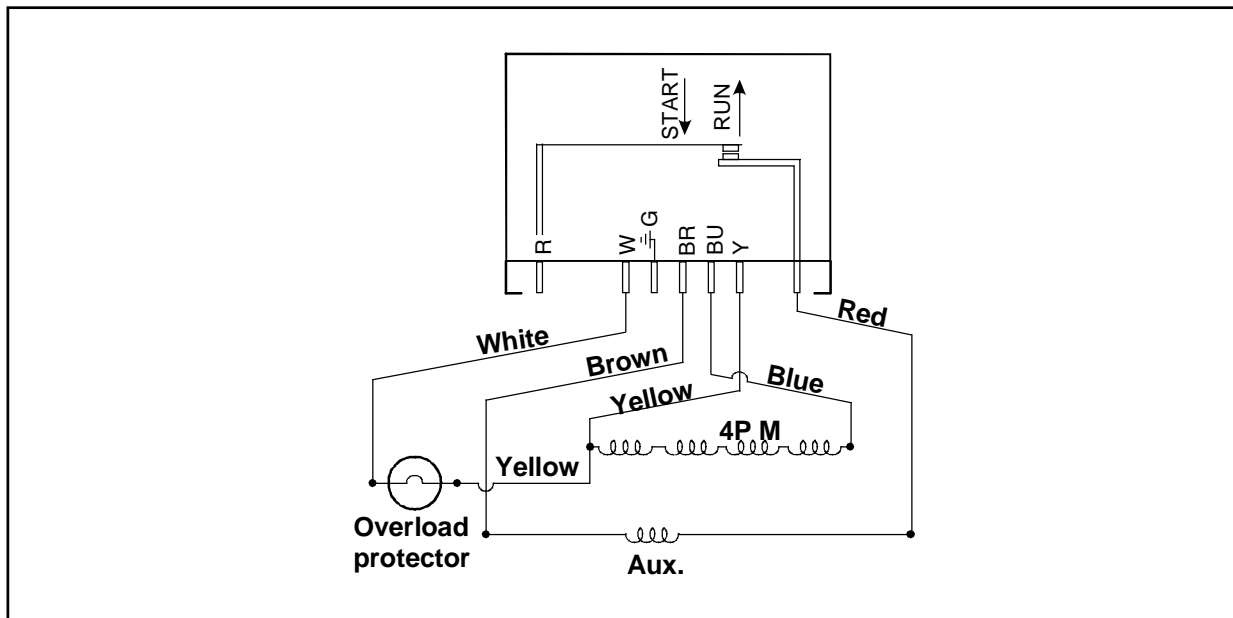
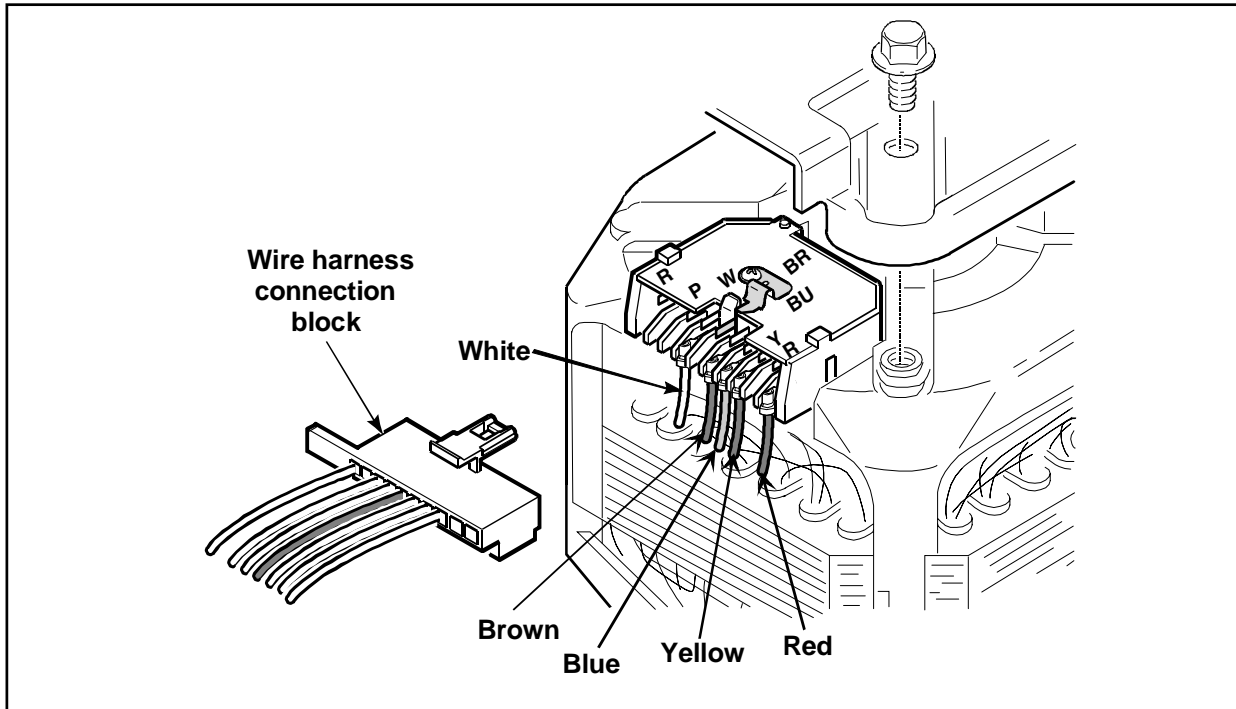
Illustration	Component	Test Procedure	Results
	Pressure switch	Do not disconnect the pressure hose from pressure switch to perform measurements. Measure resistance across the following terminals on the pressure switch: Terminal 1 to 2 Terminal 1 to 3	<b>Refer to wiring diagram/schematic for correct contacts.</b>  Continuity (no pressure) Continuity (pressure)
	Motor	Three types of motors One speed Two speed Three speed	<b>See following section "Internal Motor Diagram and Schematic" for correct wiring contacts.</b>
	Drain pump	Verify drain pump is not clogged or damaged.	Remove clog and verify proper operation.  Replace drain pump if damaged.
	Brake pad	If washtub does not stop spinning within seven second after opening loading door (no load).  If brake pads makes noises.	Replace all three brake pads.  Apply a thin layer of silicone on pads, see Service Bulletin "ASQ-213-B"
	Transmission assembly	Two type of transmissions: 640 rpm 710 rpm	Externally identical, must be identified by part number.  If transmission locks-up during agitate cycle, replace.
	Drive belt	Two type of drive belts: 640 rpm 710 rpm  There are two different types of pulley sizes as well.	Refer to "Parts Manual", to verify which drive belt and pulley is required.
	Lid switch-SPST	Disconnect wire terminals from switch. Test terminals with switch closed. Test terminals with switch open.	Continuity >1 Ω Infinite 1 MΩ

# Internal Motor Diagram and Schematic



## WARNING

To avoid risk of electrical shock, personal injury, or death, disconnect power to washer before servicing, unless testing requires it.



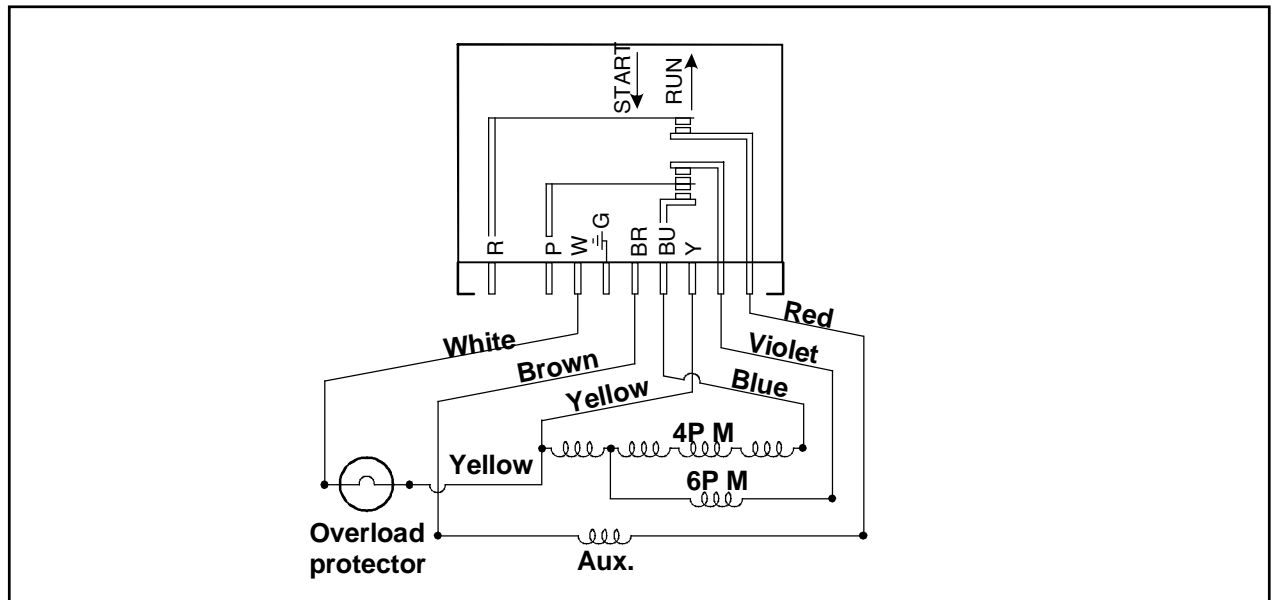
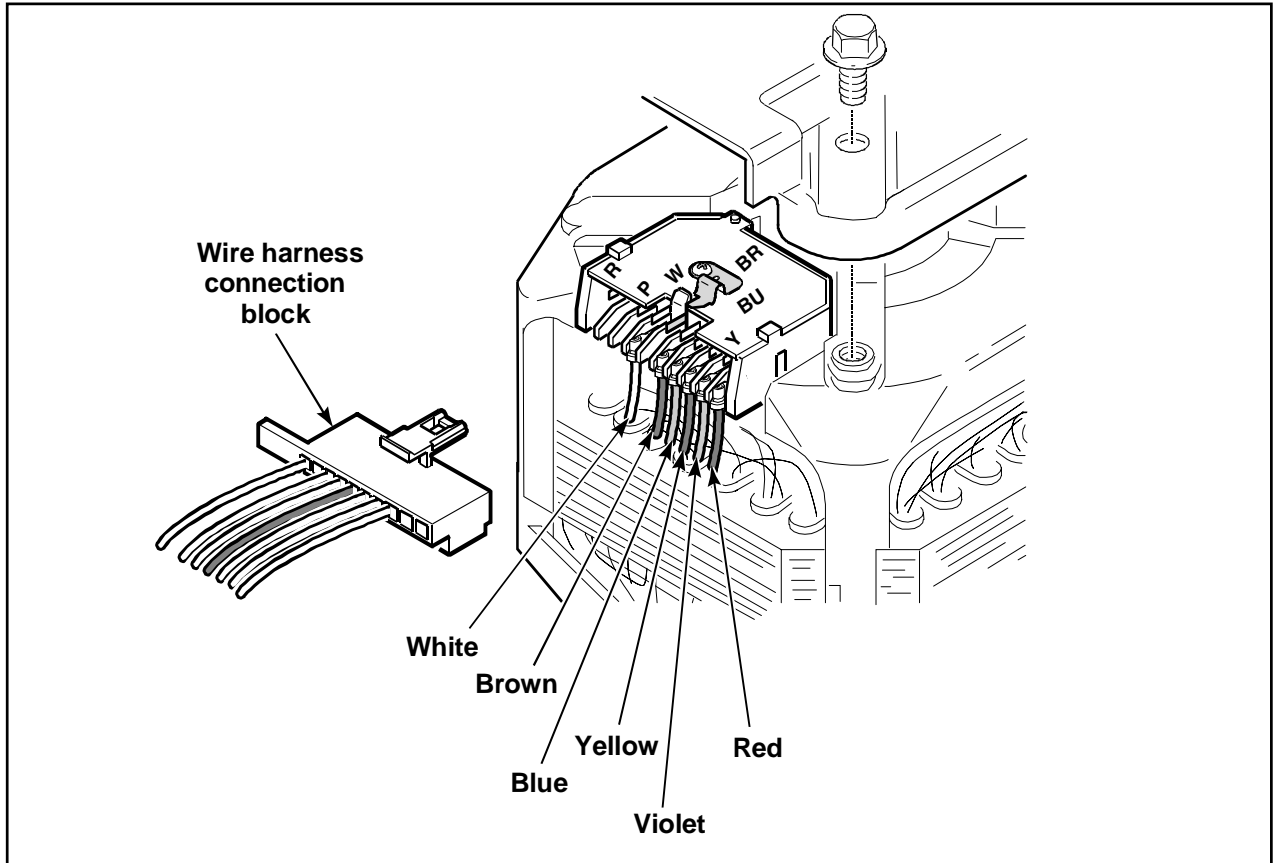
**Motor Assembly  
(one speed motor)**

# Internal Motor Diagram and Schematic



## WARNING

To avoid risk of electrical shock, personal injury, or death, disconnect power to washer before servicing, unless testing requires it.



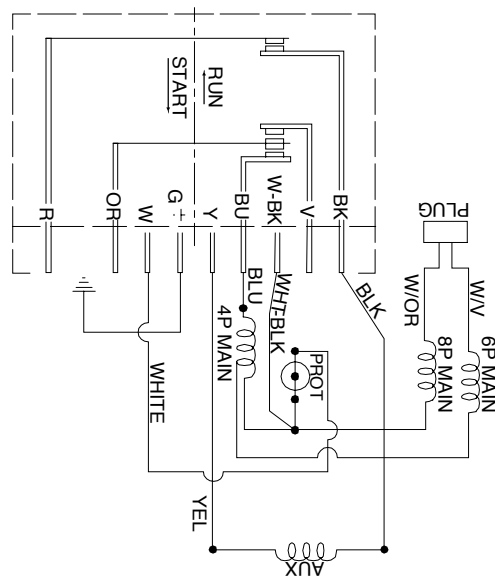
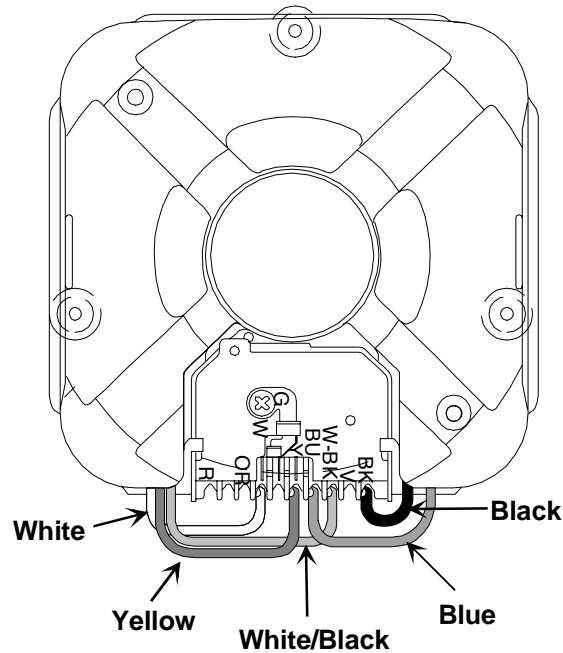
**Motor Assembly  
(two speed motor)**

# Internal Motor Diagram and Schematic



## WARNING

To avoid risk of electrical shock, personal injury, or death, disconnect power to washer before servicing, unless testing requires it.



**Motor Assembly  
(three speed motor)**

# Automatic Temperature Control



## WARNING

To avoid risk of electrical shock, personal injury, or death, disconnect power to washer before servicing, unless testing requires it.

### ETC Control Operation

**ETC Cold Fill-** The ETC cold fill toggles the water valve hot supply on and off to maintain a cold wash temperature of approximately 55 to 65° F. If the cold water output is above 55°F, the ETC Control Board will not energize. As a result ETC will not affect the water fill process in the cold wash setting.

**ETC Warm Fill-** The ETC warm fill toggles the water valve hot supply on and off to maintain a warm wash temperature of approximately 69° to 79° F. If the cold water output is above 69° F, the ETC Control Board will not energize. As a result ETC will not affect the water fill process in the warm wash setting.

**ETC Hot Fill-** The ETC hot fill toggles the water valve hot supply on and off to maintain a hot wash temperature of approximately 81° to 91° F. If the cold water output is above 81° F, the ETC Control Board will not energize. As a result ETC will not affect the water fill process in the warm wash setting.

### ETC Control Diagnosis

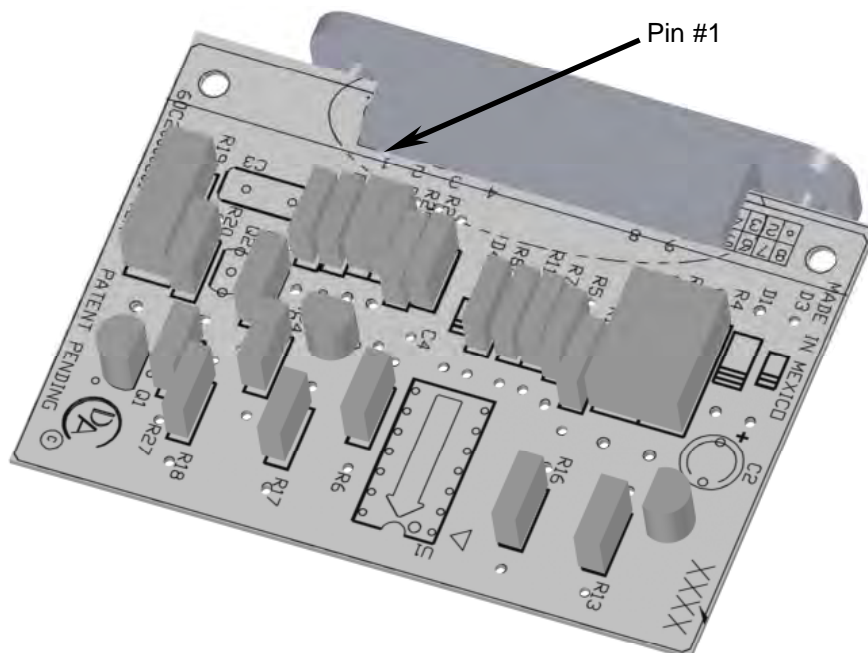
The cold water valve is energized continually during fill. 120 VAC is supplied from pin #1 on the ATC board to energize the hot water valve as needed to achieve the desired temperature. In most instances, the hot water valve will only be energized for a short time. 120 VAC is supplied to the ATC board at pins 8 and 9. A thermistor is used to sense the water temperature entering the tub. The thermistor resistance is approximately 1100 ohms at room temperature (70 °F). The ohm reading will increase as the thermistor temperature rises. Because the resistance is higher, the voltage is lower coming out of the thermistor and into pin #2 on the ETC board. The ETC board monitors pin #2 to determine the correct water temperature.

The water temperature switch input setting is monitored at the ETC board and can be diagnosed by checking the following:

Hot Selected – 0 VAC at pins 3 to neutral and 4 to neutral.

Warm Selected – 120 VAC at pin #4, 0 VAC at pin #3.

Cold Selected – 120 VAC at pins #3 and #4.



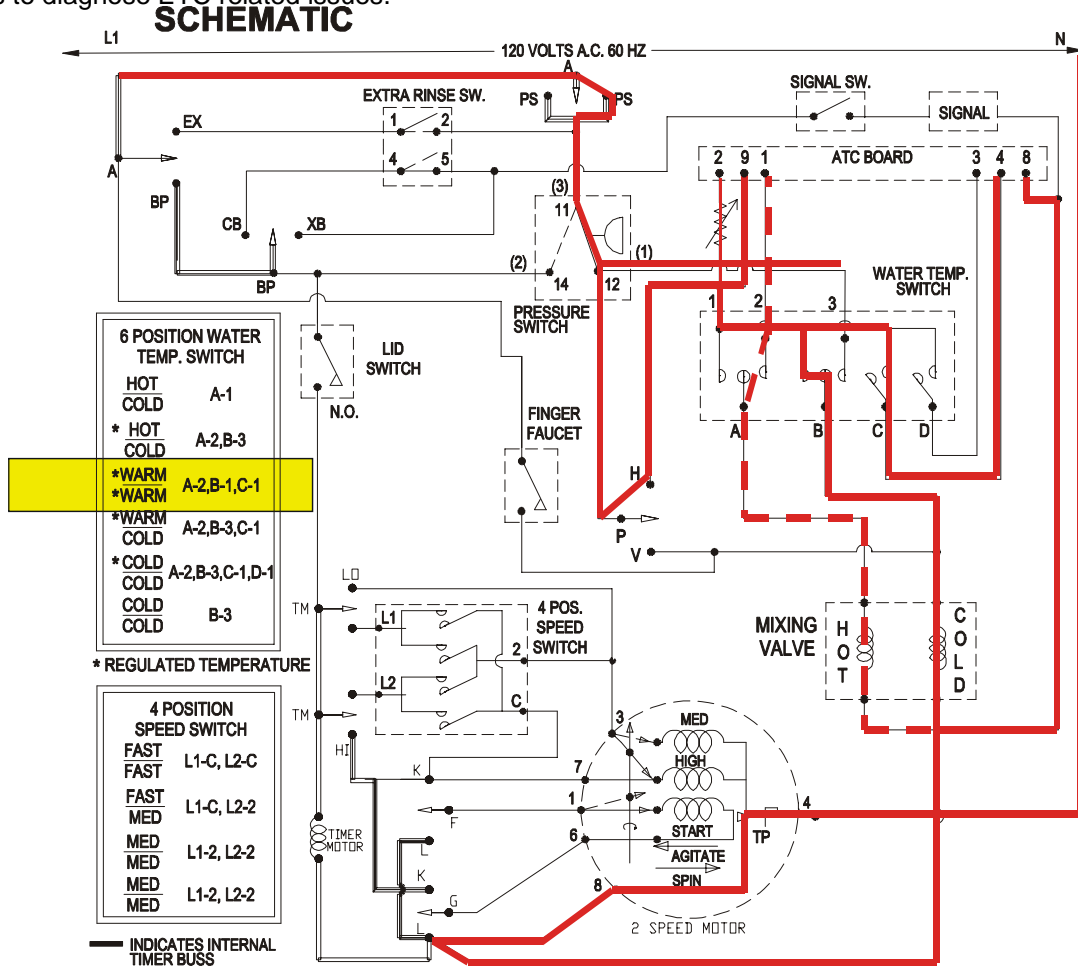
# Automatic Temperature Control

## ⚠ WARNING

To avoid risk of electrical shock, personal injury, or death, disconnect power to washer before servicing, unless testing requires it.

If the water temperature during an unregulated Cold/Cold or Hot/Cold fill is not correct, the problem is with something other than the ETC board.

Below is the electrical circuit with Warm/Warm regulated temperature selected. Trace the circuit and active components to diagnose ETC related issues.



### ATC Control Operation

ATC Cold Fill- The ATC cold fill toggles from cold to warm in order to boost cold wash water temp to approximately 75 degrees minimum.

ATC Warm Fill- The ATC warm fill toggles from hot to warm in order to boost the warm water temperature to approximately 95 degrees minimum.

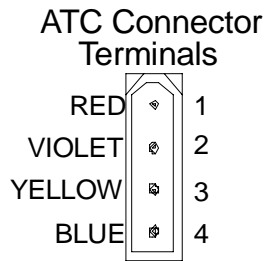
\*NOTE: ATC does not function for rinse.

# Automatic Temperature Control



## WARNING

To avoid risk of electrical shock, personal injury, or death, disconnect power to washer before servicing, unless testing requires it.



Water temperature	Wire Color	Circuit
<60 degrees	RD to VT	open
<60 degrees	BU to YL	closed
>110 degrees	RD to VT	closed
>110 degrees	BU to YL	open

To properly test ATC thermostats follow the steps below:

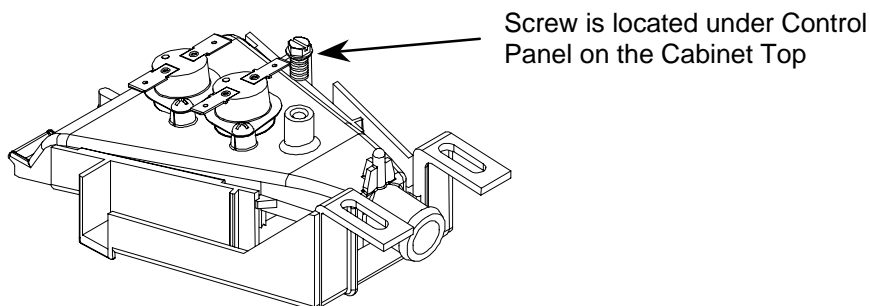
**\*IMPORTANT:** To protect meter all continuity checks must be made on the connector end going to thermostats.

Step 1. Disconnect 4-wire plug connector located in blackguard coming from water flume thermostats.

Step 2. Set water temperature selection for cold water fill and allow washer to fill for 2 minutes. Confirm water temperature entering washer is < 60 degrees and make continuity checks per table.

Step 3. Set water temperature selection for hot water fill and allow washer to fill for 2 minutes. Confirm water temperature entering washer is > 110 degrees and make continuity checks per table.

Step 4. If results of continuity checks do not correspond to table and all wiring is correct, replace ATC flume thermostat.



# Troubleshooting Procedures



## WARNING

To avoid risk of electrical shock, personal injury, or death, disconnect power to washer before servicing, unless testing requires it.

### Leaking

- Make sure supply hose connections are not leaking. Check for rubber gasket damage due to over tightening.
- Make sure end of drain hose is correctly inserted and secured to drain facility.
- Avoid overloading.
- Check internal hose connections.
- Check for overflowing standpipe.
- Check pump out speed.
- Check tub cover. Remove, reposition and reinstall the tub cover seal.
- Check water mixing valve for cracks or hose connection leak.
- Check tub seal for leak.
- Check for water inlet flume damage.

### Will Not Drain

- Check for restricted drain system.
- Check for broken impeller on pump.

### No Water Fill

- Check to make sure water supply turned on fully.
- Normal water level. See chart.

Model	Low	High
Home Energystar model	4.5 ± 1	13 ± 1

- Check for kinks in inlet hoses.
- Check for clogged inlet screens.
- Visually check hot and cold separately at dispenser for proper flows.
- If complaint is a high-pitched noise during fill then disconnect supply hoses and clean screens.
- Is 120VAC present at outlet.
- Check for blown fuse or tripped breaker.
- Check lid switch assembly.
- Check Pressure Switch for continuity between terminals. (See component testing)
- Check timer contacts.
- Check for continuity on water valve solenoid. (See component testing)

### Vibration

- Weak floors can cause vibration and walking.
- Legs level and secure.
- Be sure rubber feet are installed on leveling legs.
- Check that the leveling leg lock nuts are tightened.
- Remove front panel and check that the suspension springs are attached to the base and outer tub.
- Check agitator for correct installation.

- Check transmission for spin bearing noise.
- Check belt.
- Check pump pulley and bearing.
- Check motor pulley and bearings.

### Will Not Start

- Plug cord into live electrical outlet
- Check fuse or reset circuit breaker.
- Close lid.
- Check to see if the washer in a pause or soak period in the cycle. Wait briefly and it may start.
- Check for restricted drain system.
- Check cam chart per cycle.

### Wrong Water Temperature

- Are both faucets on fully?
- Make sure temperature selection is correct.
- Make sure hoses are connected to correct faucets and inlet connections. Flush water line before filling washer.
- Check the water heater. It should be set to deliver a minimum 120°F (49°C) hot water at the tap. Also check water heater capacity and recovery rate.
- If the water heater is located a long distance from washer, water line may need to be purged prior to starting wash cycle.
- Disconnect inlet hoses and clean screens.
- Check ETC operation.

### Will Not Spin

- Check for unbalanced load.
- Check for broken or slipping belt.
- Does the house drain system accept water from machine?
- Check for blocked drain hose.
- Check for binding tub seal.
- Check for partial engagement of brake assembly.
- Check for obstruction between tubs.
- Check for broken impeller on pump.

### Clothes Wet After Spin

- Check for unbalanced load.
- Check for slipping belt.
- Check for partial engagement of brake assembly.
- Check pump for obstruction.
- Check for drain hose restriction.
- Check for drain plumbing restriction.

### Tub Full of Water

- Check for drain hose restriction.
- Check for drain plumbing restriction.
- Check pump for obstruction or proper operation.



# Troubleshooting Procedures



## WARNING

To avoid risk of electrical shock, personal injury, or death, disconnect power to washer before servicing, unless testing requires it.

- Check for proper polarity of motor against timer sequence chart.
- Check for loose or slipping belt.

### Water fill does not stop at proper level

- Failed pressure switch.
- Air leak in pressure hose. Replace pressure hose.
- Water in pressure hose. Blow air through hose to remove water.
- Broken, weak, or missing mixing valve armature spring.
- Sediment on or under mixing valve diaphragm, failed diaphragm, or armature binding in armature guide. Replace mixing valve.
- A siphoning action started in washer will cause water to be siphoned from washer during cycle. Caused by drain hose being lower than washer cabinet top. Install No. 526P3 Siphon Break Kit. Provide an air gap around drain hose and drain receptacle. Install No. 36878 Standpipe Adapter.
- Failed electronic control.
- Broken, loose, shorted or incorrect wiring.

### Timer does not advance

- Timer is designed to pause during fill periods. Some cycles have pause (delicate cycle).
- Loading door is open.
- Washer will not fill. Timer pauses until pressure switch is satisfied.
- Verify washer is not siphoning during rinse cycle. Install No. 526P3 Siphon Break Kit.
- Failed timer.
- Broken, loose, shorted, or incorrect wiring.

### Motor does not operate

- Power cord not plugged in, blown fuse or tripped circuit breaker at circuit panel.
- Loading door not closed or failed switch.
- Motor overload protector has cycled. Wait two to three minutes for overload protector to reset.
- Binding in upper or lower motor bearings.
- Motor is dead, electrical power is present. Test motor switch and windings.
- Motor start functions fail or motor only hums. Test motor start switch and start windings.
- Timer improperly set.
- Failed timer.

### Washer smokes, overheats, and cycles on overload protector or switch actuator kicks in and out.

- Belt is tacky and does not allow proper slipping.
- Belt tension is too tight and does not allow proper slipping.

- Motor start functions fail.
- Bind in water pump.
- Brake pads are binding.
- Brake, transmission or motor have locked up and will not turn.
- Failed timer.
- Incorrect voltage. Contact local utility company, or have a qualified electrician check power supply voltage.

### No agitation

- Failed timer. Timer is designed to pause (SOAK) during DELICATE cycle.
- Failed pressure switch.
- Loose or broken drive belt.
- Failed transmission assembly.
- Sheared motor pulley roll pin.
- Motor overload protector has cycled. Wait two to three minutes for overload protector to reset.
- Bind in water pump.
- Loading door not closed or failed switch.
- Failed timer.
- Broken, loose, shorted or incorrect wiring.

### Constant agitation

- Failed timer.
- Shorted or incorrect wiring.

### Constant spin

- Washtub does not stop spinning within seven seconds after loading door is open. Replace brake pads. Tighten Helix Bolt if loose.
- Excessive wear on brake pads, or missing brake pads.
- Failed timer.
- Failed electronic control.
- Broken, loose, shorted or incorrect wiring.

### Washer stops in middle of cycle or quits after a couple loads — intermittent

- Belt is tacky and does not allow proper slipping.
- Belt tension is too tight and does not allow proper slipping. Verify idler spring is properly connected. Verify proper belt and pulley are installed.
- Motor overload protector has cycled. Wait two to three minutes for overload protector to reset.
- Brake, transmission or motor have locked up and will not turn.
- Motor switch functions fail.
- Failed timer.
- Broken, loose, shorted or incorrect wiring.

# Troubleshooting Procedures



## WARNING

To avoid risk of electrical shock, personal injury, or death, disconnect power to washer before servicing, unless testing requires it.

### Washer locks-up or binding

- Excessive drive belt tension. Replace drive belt and/or idler spring.
- Bind in upper or lower bearing. Replace bearing.
- Broken, loose, shorted or incorrect wiring.
- Bind in water pump.
- Bind in transmission.
- Brake pads are binding.
- Incorrect voltage.

# Disassembly Procedures

## WARNING

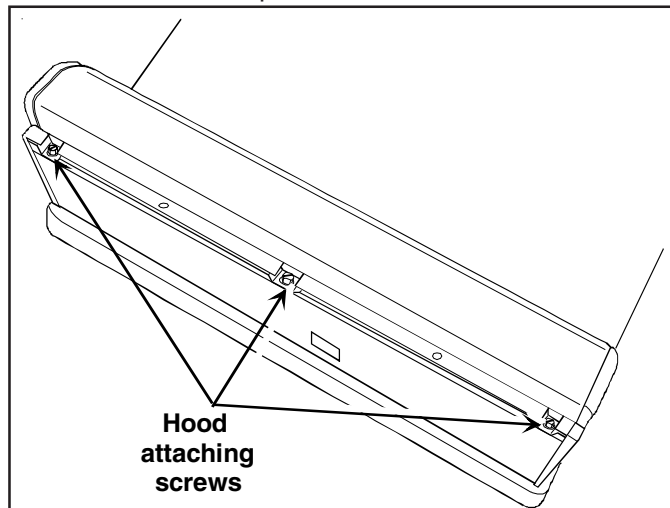
To avoid risk of electrical shock, personal injury, or death, disconnect power to unit before servicing.

**NOTE:** When reference is made to directions (right or left) in this manual, it is from operator's position facing front of washer.

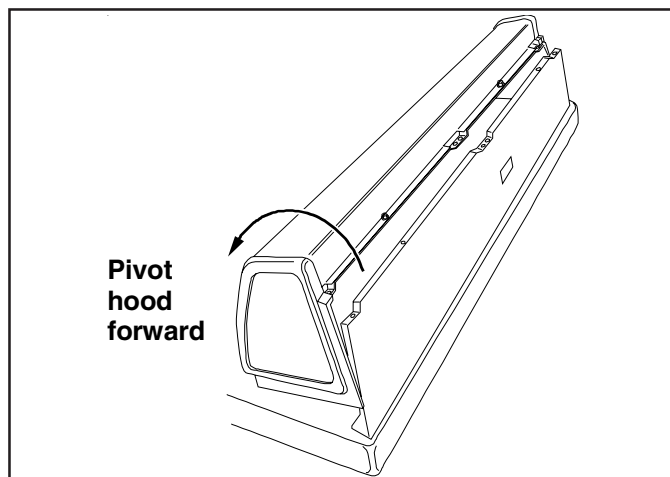
**NOTE:** To avoid damaging or scratching the surface a soft cloth should be placed over the top of the unit.

### Control Hood Assembly

1. Remove screws securing control hood assembly to control hood rear panel.



2. Rotate hood assembly forward.



3. Remove bottom of control hood from clips located on cabinet top.
4. Disconnect wires from components and carefully remove components from control hood assembly.
5. Reverse procedure to reassemble.

**NOTE:** See appropriate wiring diagram when rewiring components.

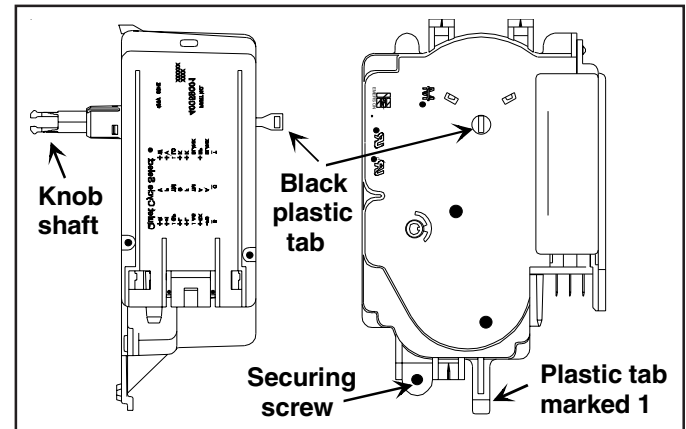
### Control Hood End Panels

- Remove screws securing end panels to control mounting plate.

### Timer

1. Loosen control hood assembly, see "Control Hood Assembly" procedure steps 1 and 2.
2. Remove timer knob from timer shaft by pulling black plastic tab located on the back of timer outward to release knob, then remove timer knob skirt.

**NOTE:** Slide a soft cloth under the knob skirt, wrapping the entire skirt and pull gently away from the control panel.



3. Remove screws securing timer to control hood mounting plate.
4. Disconnect wire harness terminal plug from timer by lifting locking tab and pulling terminal plug away from timer.
5. Lift plastic tab marked 1 located above securing screw and sliding timer to the side releasing tabs securing timer to control hood mounting plate.
6. Reverse procedure to reassemble.

**NOTE:** To avoid an open circuit, DO NOT pull on terminal block wires when removing blocks from timer as this could damage wires or terminal crimping.

Before attaching wire harness terminal blocks to timer, verify all male terminals on timer are straight and are capable of accepting terminals from wire harness terminal blocks.

**NOTE:** When installing timer, verify timer is installed correctly and is securely mounted to control mounting plate.

## CAUTION

To avoid risk of timer damage, do not allow timer to be struck on the corners, edges of frame, or on timer shaft.

# Disassembly Procedures



## WARNING

To avoid risk of electrical shock, personal injury, or death, disconnect power to unit before servicing.

### Temperature and Speed Switch

1. Loosen control hood assembly, see "Control Hood Assembly" procedure steps 1 and 2.
2. Slide a soft cloth under the knob, wrapping the entire knob and pull gently away from the control panel.
3. Disconnect wires from switch terminals.
4. From the front, press inward on black plastic tabs next to the switch shaft and rotate switch to release switch from control hood mounting plate.
5. Reverse procedure to reassemble.

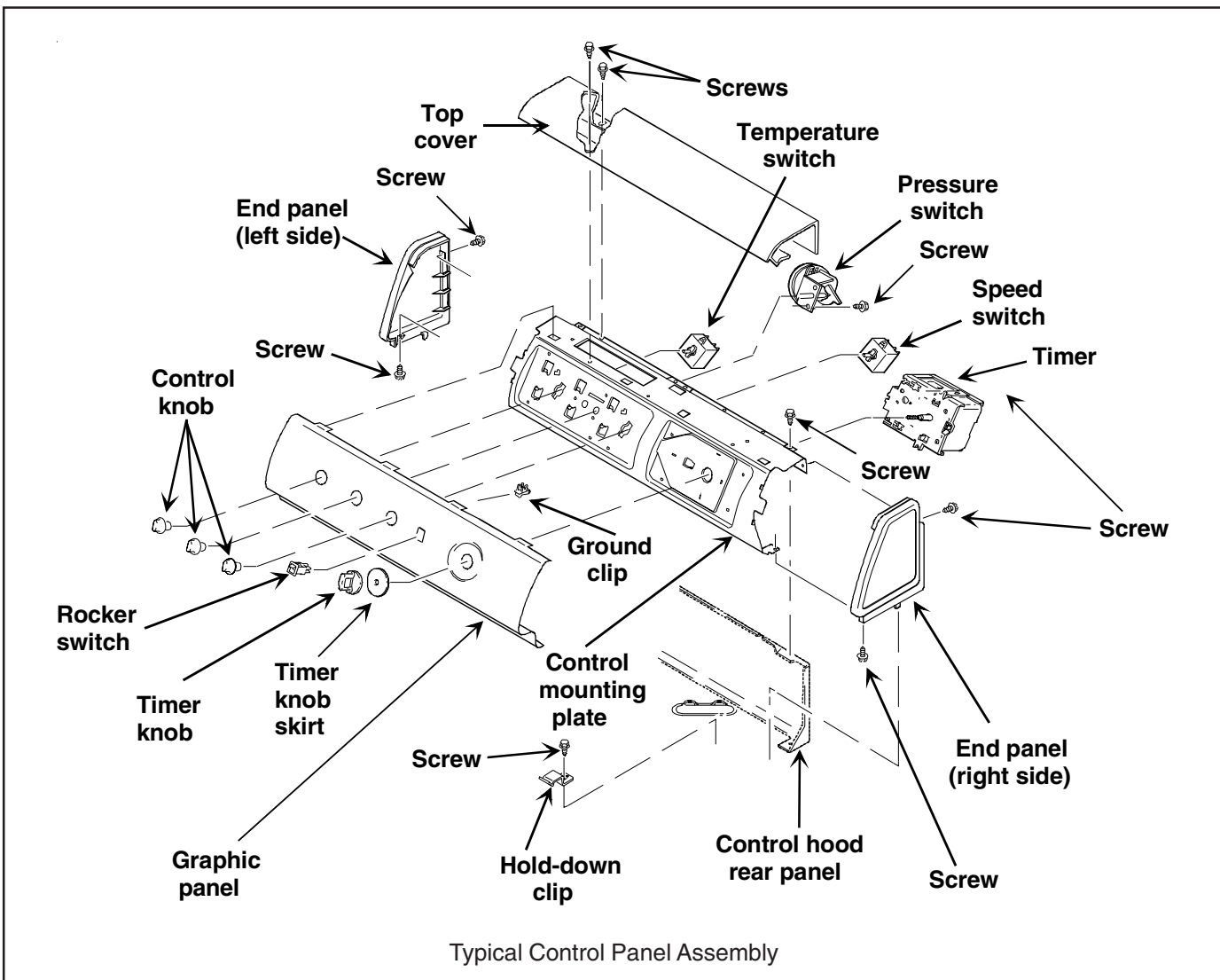
**NOTE:** See appropriate wiring diagram when rewiring components.

1. Loosen control hood assembly, see "Control Hood Assembly" procedure steps 1 and 2.
2. Disconnect wires and plastic hose from pressure switch.
3. Remove screws securing pressure switch to control hood mounting plate.
4. Reverse procedure to reassemble.

**NOTE:** See appropriate wiring diagram when rewiring components.

**NOTE:** Before connecting hose to pressure switch, blow air through pressure hose to remove any condensation that may have accumulated in the hose.

### Pressure Switch



# Disassembly Procedures



## WARNING

To avoid risk of electrical shock, personal injury, or death, disconnect power to unit before servicing.

### Rocker Switch

1. Loosen control hood assembly, see "Control Hood Assembly" procedure steps 1 and 2.
2. Disconnect wire terminals from switch.
3. Squeeze plastic tabs located on top and bottom of switch and push switch out through the front of control panel.
4. Reverse procedure to reassemble.

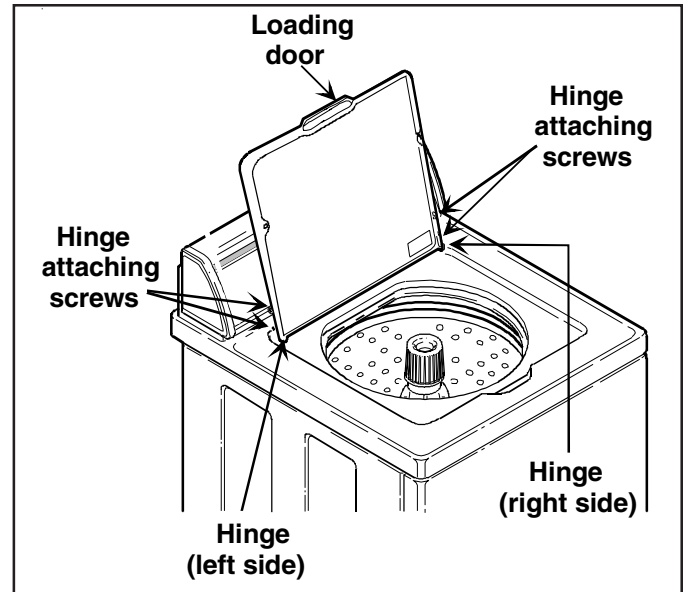
### Graphic Panel

1. Remove all knobs from switches.
2. Loosen control hood assembly, see "Control Hood Assembly" procedure steps 1 and 2.
3. Disconnect wires from components and carefully remove components from control hood assembly, see component removal procedure listed earlier.
4. Remove screws securing top cover to control mounting plate and remove top cover.
5. Remove screws securing end panels (each side) and remove end panels.
6. Remove grounding clip secured to metal tab on graphic panel.
7. Bend tabs on graphic panel (located inside of control hood) straight out towards the rear.
8. Remove graphic panel from front of control mounting plate.
9. Reverse procedure to reassemble.

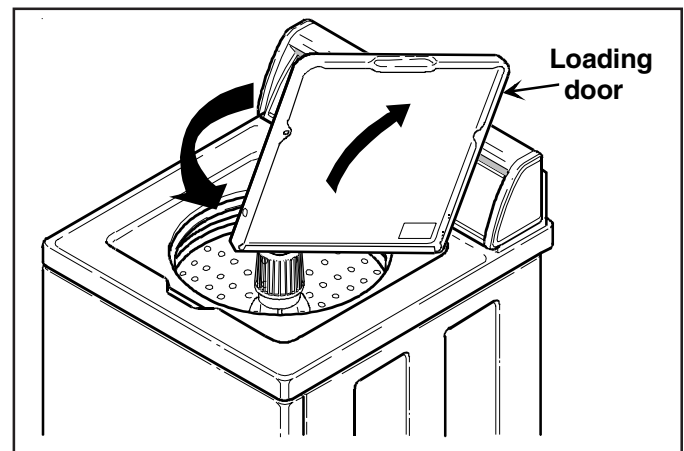
**NOTE:** See appropriate wiring diagram when rewiring components.

### Loading Door

1. Open loading door.
2. Remove screws securing left hinge to door and remove hinge.



3. Raise loading door to a vertical position, disengage loading door from loading door clip by swing left side of door toward front of washer.



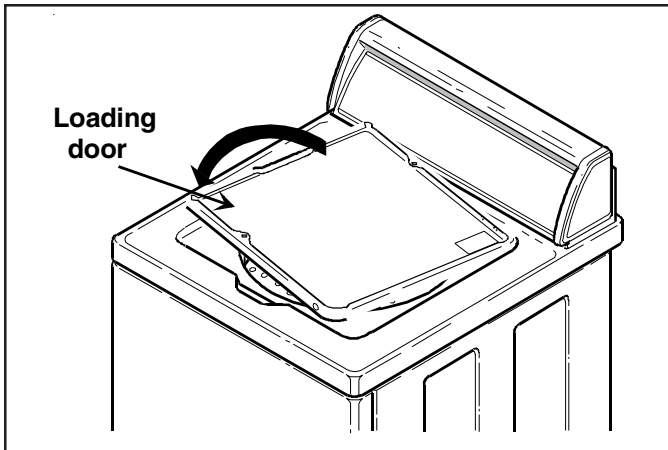
4. Rotate loading door so door is upside down.

# Disassembly Procedures

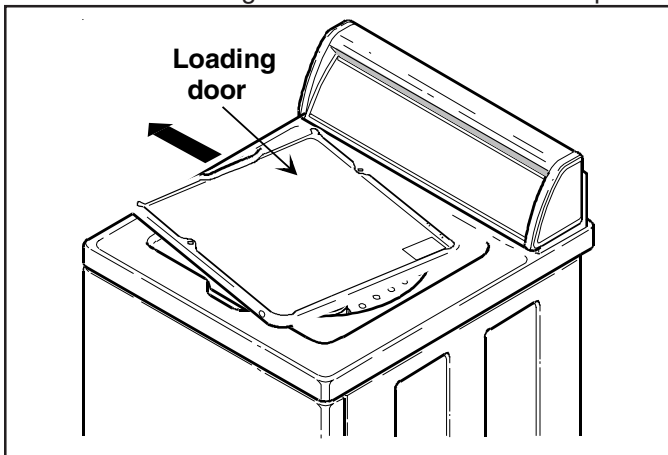


## WARNING

To avoid risk of electrical shock, personal injury, or death, disconnect power to unit before servicing.



5. Maneuver loading door from washer cabinet top.

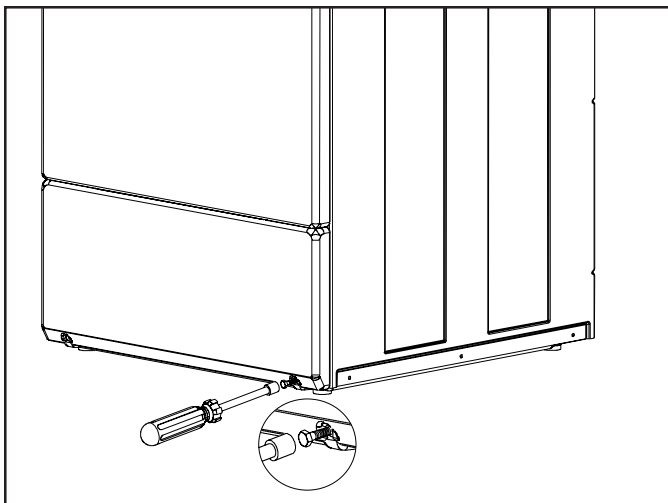


6. Remove screws securing right hinge and remove loading door.

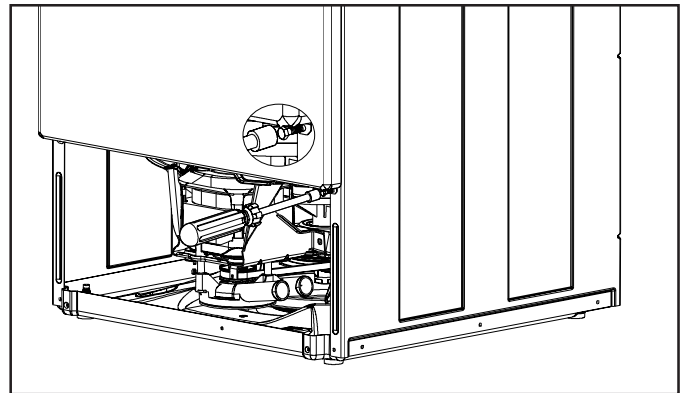
7. Reverse procedure to reassemble.

### Service Access Panel/Front Panel

1. Remove bottom screws in Access Panel.

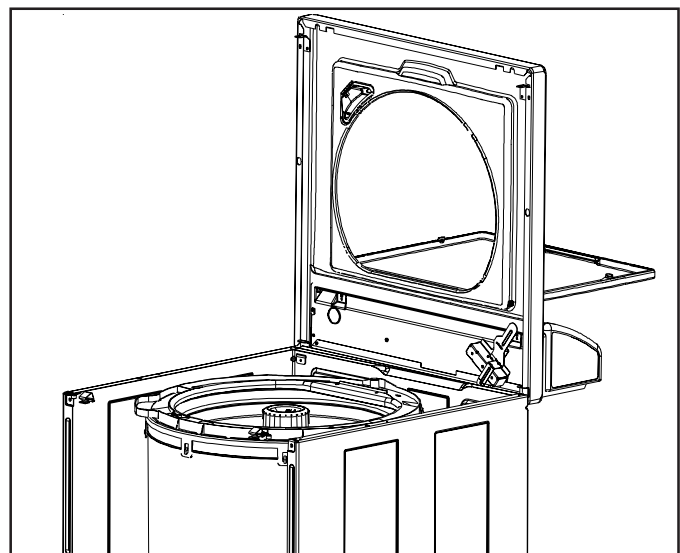
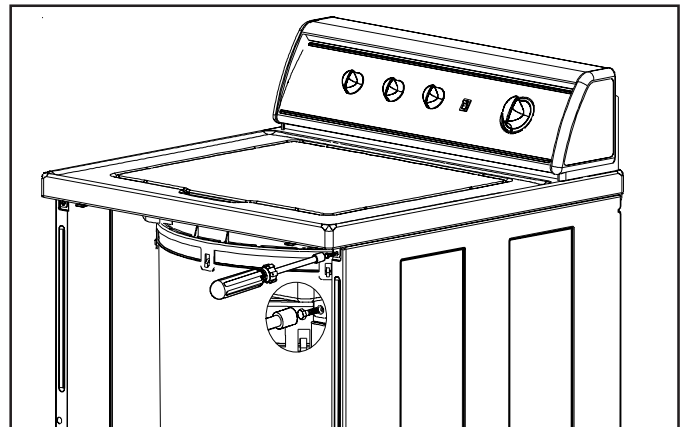


2. Remove lower screws in Front Panel.



### Top Cover

1. Remove Service Access Panel and Front Panel.
2. Remove 2 screws securing Top Cover to Cabinet.
3. Lift Top Cover.



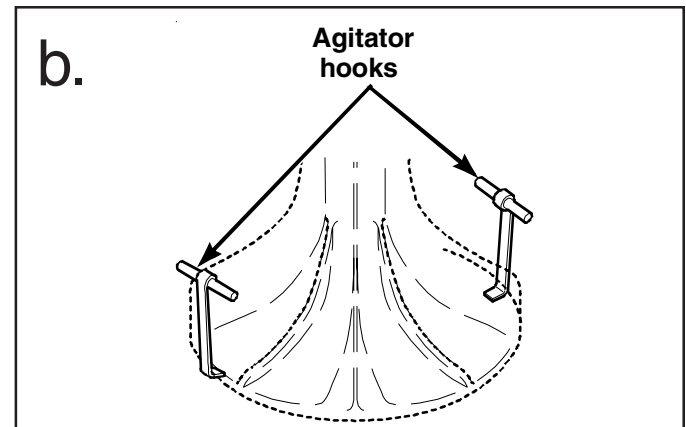
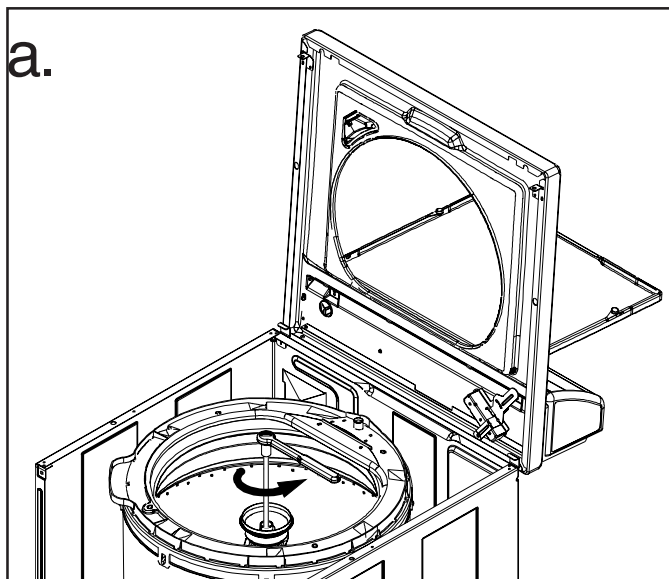
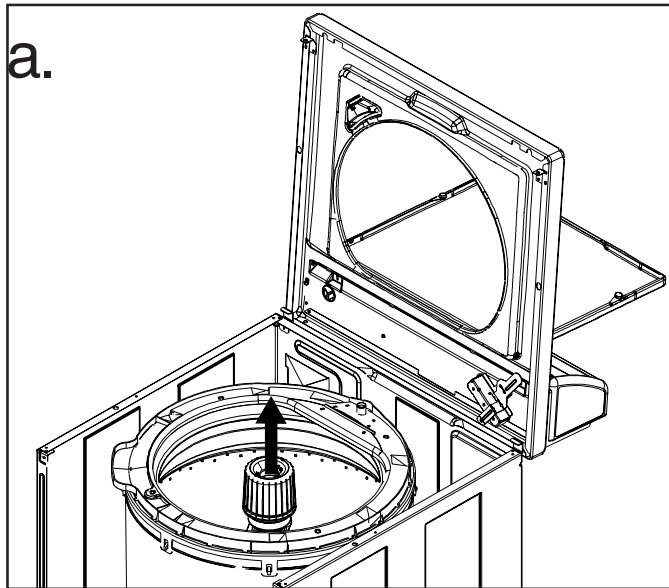
# Disassembly Procedures

## **WARNING**

To avoid risk of electrical shock, personal injury, or death, disconnect power to unit before servicing.

### Agitator

1. Open loading door.
2. Remove fabric softener dispenser by unsnapping from agitator. Remove agitator by one of two ways.
  - a. (Auger style agitators) Loosen bolt in agitator and remove by sliding straight up output shaft of transmission.
  - b. (Flex vane agitators) Remove flex vane agitator by placing hands under agitator lip and pull upward. If agitator is difficult to remove, use two agitator removal hooks, No. 254PRP under bottom edge of agitator. Remove drive bell by pulling upward. If drive bell is difficult to remove, use agitator hooks.



**NOTE:** Hooks must be positioned 180° from each other, and must be placed under base of agitator near agitator vane for greater stability. If hooks are placed between the vane area, agitator damage may occur.

3. Using a rocking motion (side-to-side) carefully lift agitator up off drive bell.
4. To reassemble place agitator on top of drive bell. Slowly rotate agitator until fingers on underside of agitator line up with large slots on drive bell.
5. A sharp blow on top of agitator, with the palm of your hand, will force agitator down onto drive bell, allowing fingers on underside of agitator to lock under bottom edge of drive bell.

**NOTE:** Do not push agitator onto drive bell any further than necessary.

### Door Switch

1. Remove front panel, see "Front Panel" procedure.
2. Remove screws securing cabinet top.
3. Tape loading door closed and lift cabinet top to a vertical position by hinging it on the rear hinges.

**NOTE:** Cabinet top is self supporting, a small chain may be used for additional support.

4. Disconnect wires from door switch.
5. Remove screw securing door switch assembly to underside of cabinet top.

**NOTE:** See appropriate wiring diagram when rewiring components.

6. Remove screws securing switch to switch holder.
7. Remove switch from switch holder.
8. Reverse procedure to reassemble.

### Drive Bell and Seal Assembly Style Units

**NOTE:** If water is present in washtub, remove water before attempting to remove drive bell.

1. Remove agitator, see "Agitator" procedure.
2. Remove plug and 7/16" bolt from top of drive bell.

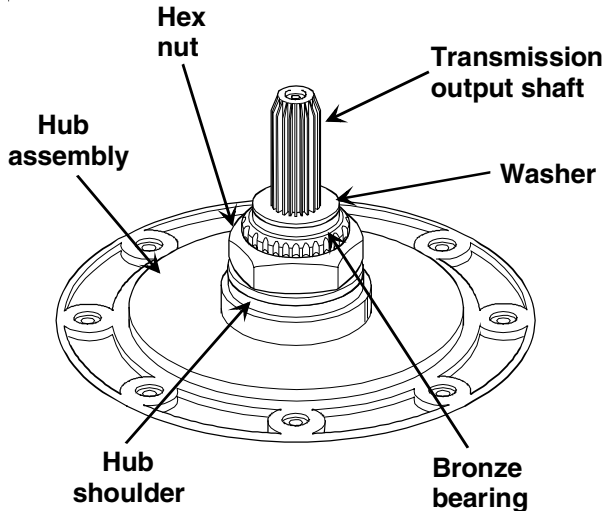
# Disassembly Procedures



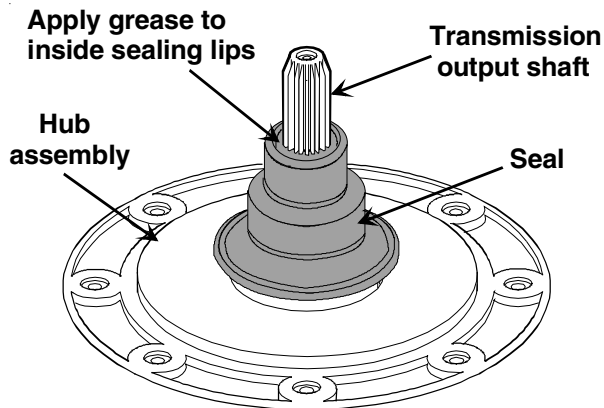
## WARNING

To avoid risk of electrical shock, personal injury, or death, disconnect power to unit before servicing.

3. Using care pry drive bell upward off transmission shaft.
4. Remove old seal from hub assembly by:
  - a. Placing a flat bladed screwdriver between bottom edge of seal and hub.
  - b. Using washtub bolts as a pry area, pop off lower seal bead.
  - c. Grasping bottom of seal and pulling straight up freeing upper seal bead.



5. Clean all foreign material from seal mounting area of hub assembly, bronze bearing and washer.
6. Lubricate new seal with liquid soap or soapy water to aid in assembly of seal onto hub.
7. Apply a small amount of supplied grease, No. 36765P, to inside sealing lips of seal.

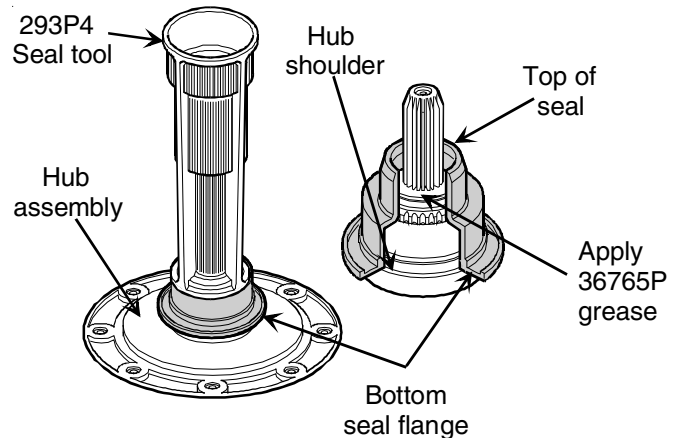
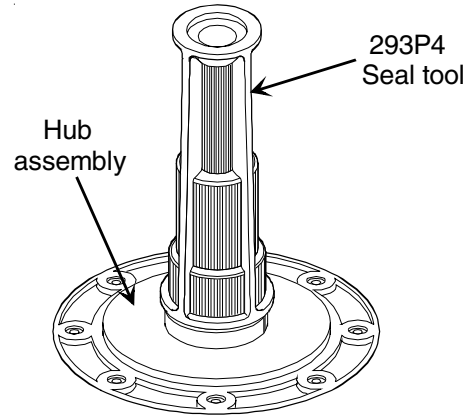


**NOTE:** DO NOT allow any lubricants to come in contact with outside surface of seal.

8. Apply remainder of supplied grease, No. 36765P, to exposed surface of washer between transmission output shaft and seal.
9. Place new drive bell seal onto hub and push into position using large end of No. 293P4 Seal Tool.

**NOTE:** Using a small pocket mirror, check entire circumference of bottom seal flange to verify seal is pressed down against shoulder on hub; there should be no gap!

10. Turn No. 293P4 Seal Tool upside-down and place the small end over transmission output shaft and onto the seal.
11. Push down on tool with a quick motion until it bottoms out and the top of seal is fully seated.



## Installing Drive Bell

1. Position new drive bell over transmission output shaft. Rotate drive bell until splines in drive bell line up with splines on transmission output shaft.
2. Screw  $\frac{7}{16}$ " bolt into transmission output shaft until it bottoms out.
3. Using a wrench or socket, tighten bolt **CLOCKWISE** to force drive bell down onto transmission shaft until drive bell bottoms out on shaft.

**NOTE:** Tighten new shoulder screw between 60 to 80 inch-pounds.

4. Place new plug over hole in drive bell and firmly press into place using the palm of your hand.

**NOTE:** It may be necessary to insert the end of a paper clip or thin blade screwdriver along side of plug as it is pressed into drive bell to release entrapped air.



# Disassembly Procedures

## WARNING

To avoid risk of electrical shock, personal injury, or death, disconnect power to unit before servicing.

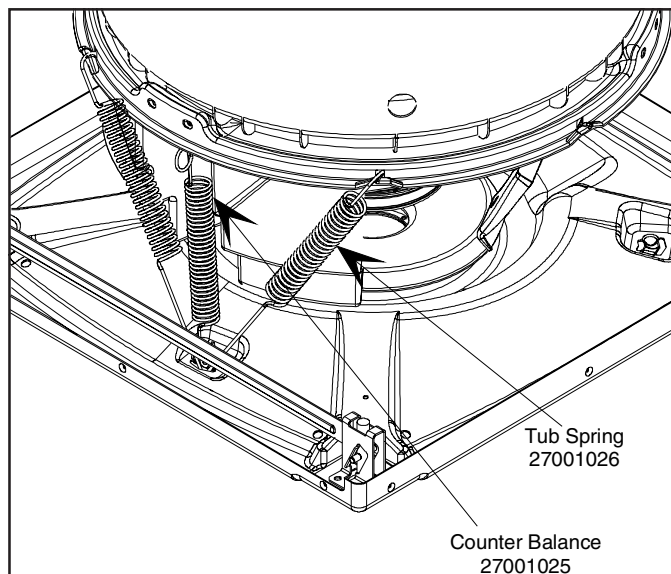
**NOTE:** When fully seated plug should not extend above drive bell more than 1/8 inch (3.2 mm).

5. Place agitator on top of drive bell. Slowly rotate agitator until fingers on underside of agitator line up with large slots on drive bell.
6. A sharp blow on top of agitator, with the palm of your hand, will force agitator down onto drive bell, allowing fingers on underside of agitator to lock under bottom edge of drive bell.

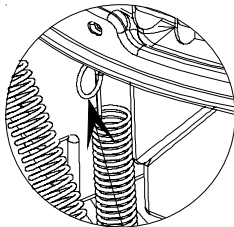
**NOTE:** Do not push agitator onto drive bell any further than necessary.

## Counter Balance Spring

The counter balance, which offsets the weight of the motor, was replaced with a spring. In addition to this the 6 tall tub springs were replaced with 6 new springs. The new springs are 11" long and have 26 coils in the body. The old springs were 11.75" long and have 18 coils in the body. The counter balance and new tub springs must be used together in non-counter weight models. The new counter weight spring will attach to the milk stool leg and base as shown below. A loop was added to the spring, to aid in installation and removal.



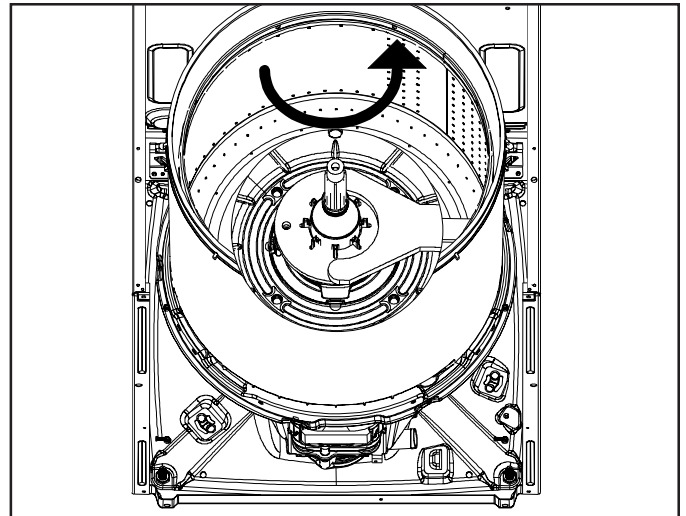
The 2 rear springs are mounted upsidedown to avoid the possibility of the springs rubbing together.



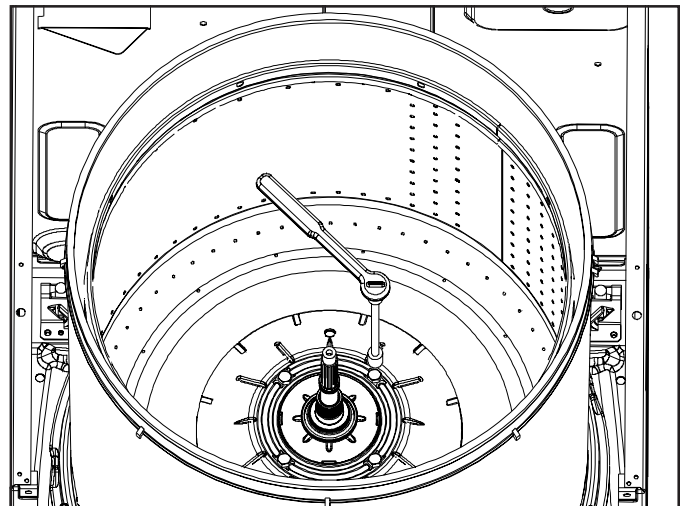
Service Loop

## Triple Lip/Bearing Style Units

1. Remove agitator, see "Agitator" procedure.
2. Unsnap and remove Outer Tub Cover.
3. Remove O-Ring from transmission output shaft.
4. Use spanner wrench (35-2968) and seal tool (22002898) to remove seal nut.



5. Remove inner tub bolts and inner tub.

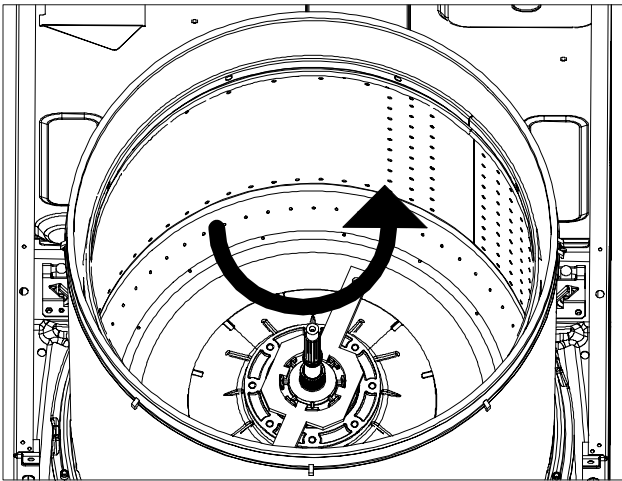


6. Remove lint filter.
7. Remove washtub hub with Maytag spanner tool 22038313. Turn spanner counterclockwise to remove. It may be necessary to lock transmission from turning. Attach clamp or Visegrip® tool to transmission **only** as shown. Transmission will stop rotating when clamp contacts tub support.

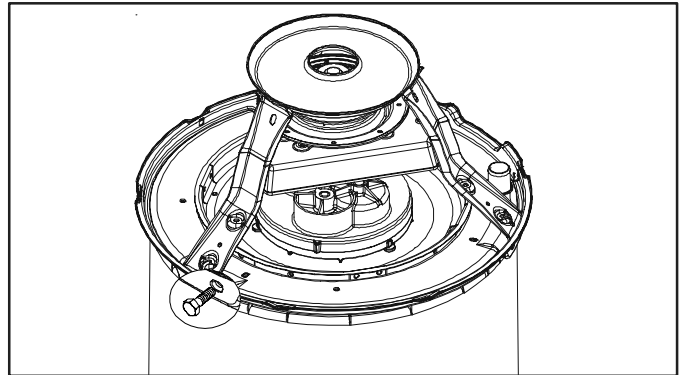
# Disassembly Procedures

## WARNING

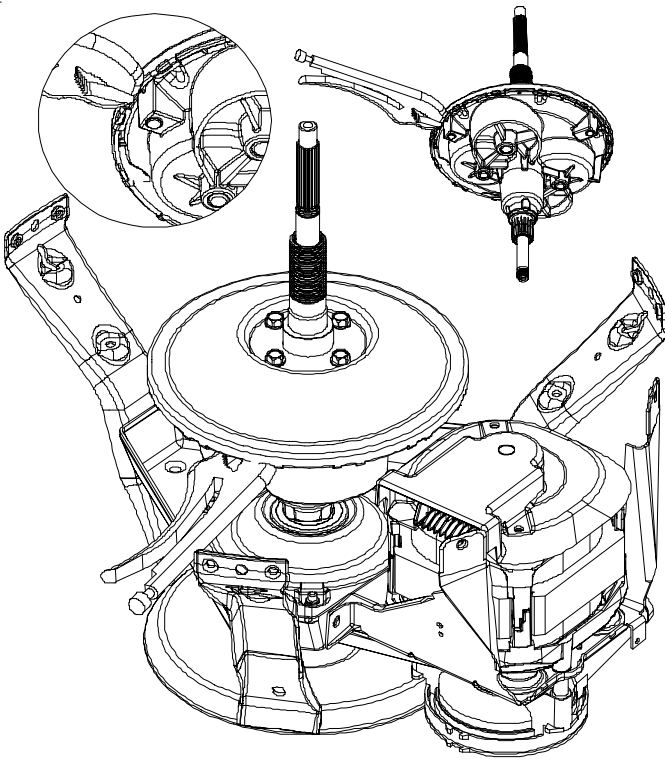
To avoid risk of electrical shock, personal injury, or death, disconnect power to unit before servicing.



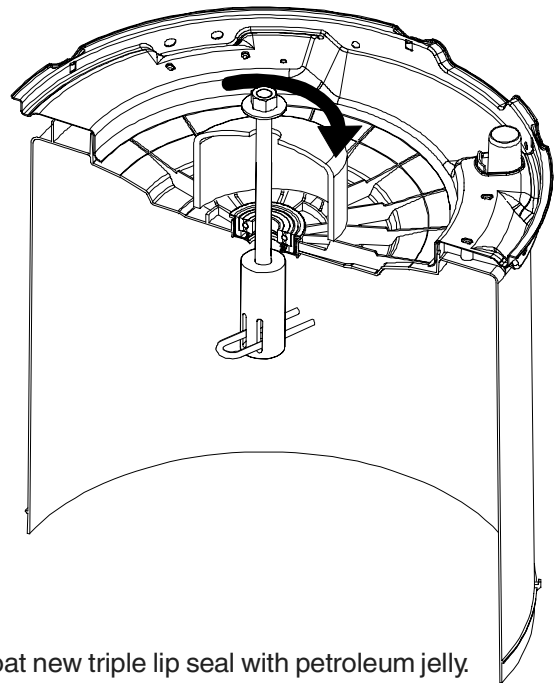
10. Remove drive belt from transmission pulley.
11. Remove pressure hose from pressure bulb on outer tub.
12. Lift outer tub and transmission assembly out of washer cabinet. Turn outer tub and transmission assembly upside-down on protective padding.
13. Remove screws holding leg support to outer tub. Separate transmission assembly from outer tub.



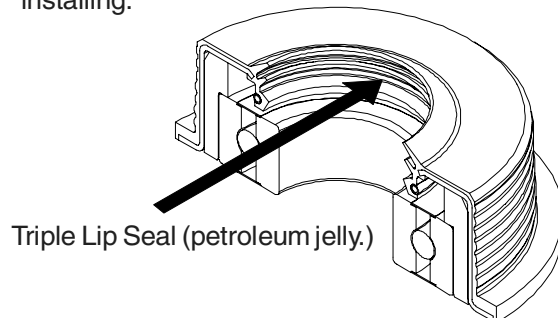
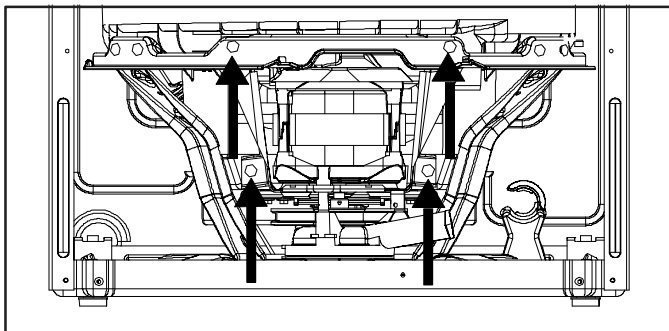
14. Remove seal and bearing using the brake removal tool 12002012 with included 3" PVC end cap.



8. Disconnect tub drain hose from outer tub.
9. Remove bolts from motor assembly and drop motor down to base. Disconnect wire harness from motor tap.



15. Coat new triple lip seal with petroleum jelly.
16. Apply center seal grease (056016) to Seal Nut before installing.

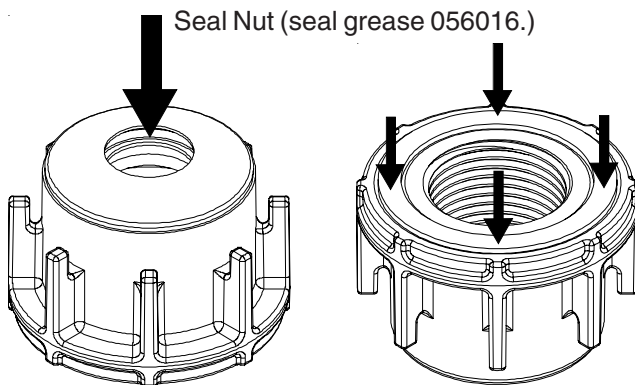


Triple Lip Seal (petroleum jelly.)

# Disassembly Procedures

## WARNING

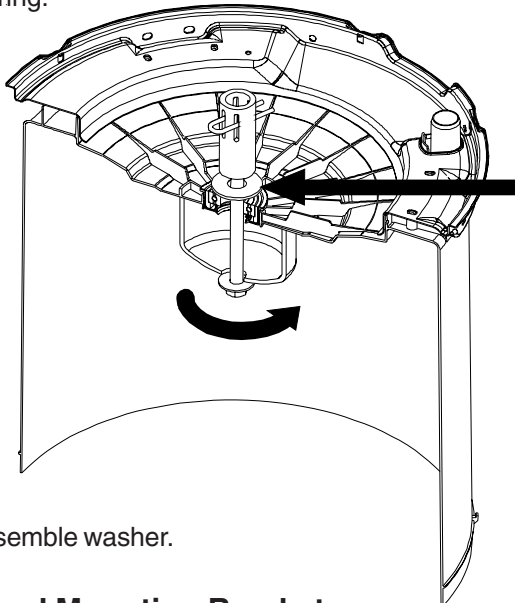
To avoid risk of electrical shock, personal injury, or death, disconnect power to unit before servicing.



Seal Nut (seal grease 056016.)

17. Install new bearing using Brake/Bearing tool 12002012, large washers and PVC end cap.

**Important:** Use large washers to prevent damage to bearing.



18. Reassemble washer.

### Motor and Mounting Bracket

1. Remove service access panel, see "Service Access Panel" procedure.

**NOTE:** There will always be some water that will remain in outer tub, before removing hoses from pump, hoses must be pinched off or drained to prevent water spillage.

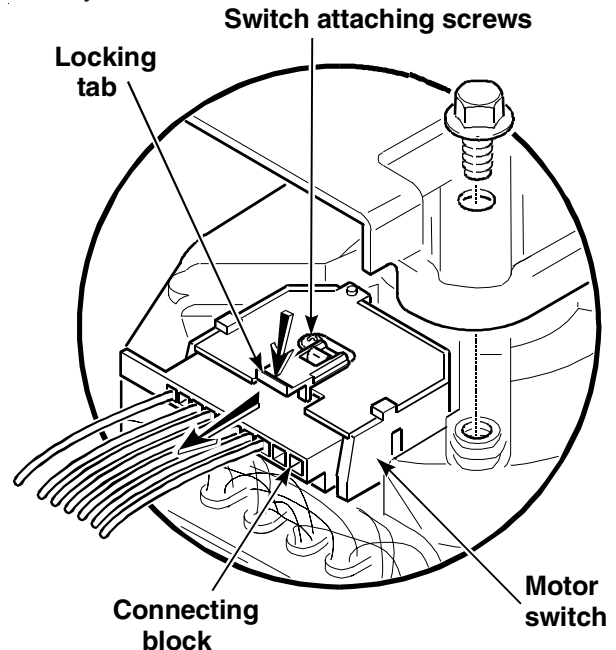
2. Loosen hose clamps and remove hoses from pump assembly.

3. Unhook idler spring from clip on front of the motor mounting bracket.

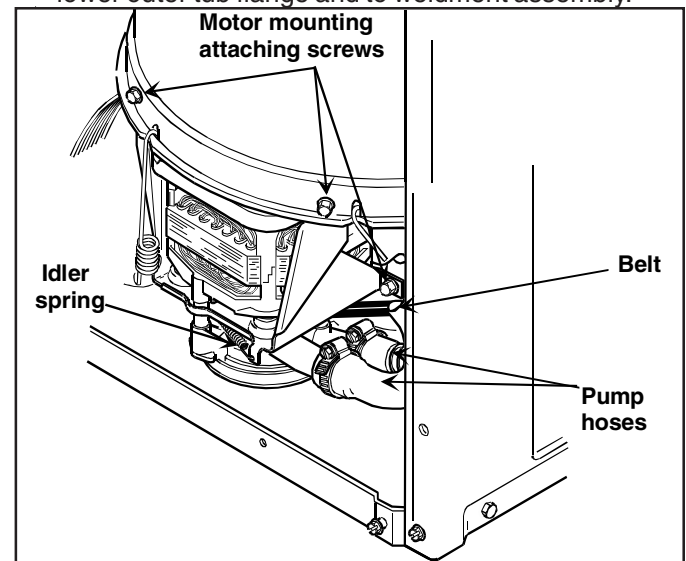
**NOTE:** Use care when releasing idler lever tension. If idler spring is overstretched, washer operation will be affected.

4. Reach in and around left side of motor and remove belt off large drive pulley.

5. Disconnect wire harness from motor switch by pressing down on locking tab on top of connection block and at the same time, pull connection block away from motor switch.



6. Remove bolts securing motor and mounting bracket to lower outer tub flange and to weldment assembly.



7. Lift complete assembly out of washer.

**NOTE:** Lay motor on its side. Observe belt configuration around rear pump leg. Belt **MUST** encircle rear pump leg when reassembling.

8. Reverse procedure to reassemble.

### Pump and Belt Removal

1. Remove motor, see "Motor and Mounting Bracket" procedure.
2. Remove screws securing pump assembly to motor.

# Disassembly Procedures

## WARNING

To avoid risk of electrical shock, personal injury, or death, disconnect power to unit before servicing.

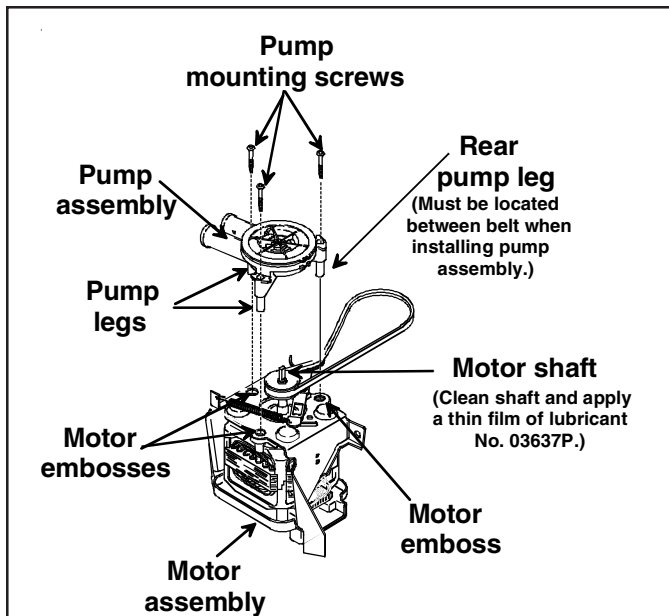
### Reassembly of Pump and Belt

**NOTE:** Install pump and belt together. Drive belt **MUST** be replaced with belt No. 40053602 for one and two speed models; or 40053601 for some two speed models and three speed models (special clutch-type belt) for proper washer operation. Refer to Parts Manual for proper belt part number.

1. Remove any corrosion or foreign material from motor shaft.
2. Apply a thin film of No. 03637P lubricant to the end and sides of motor shaft.

**NOTE:** This lubricant helps keep moisture out of the hub area and prevents corrosion.

3. Align belt on motor pulley and tension pulley as illustrated.



4. Align pump impeller hub with motor shaft. Verify belt encircles rear pump leg. Slide pump onto motor shaft until legs touch the embosses on the motor housing before securing.

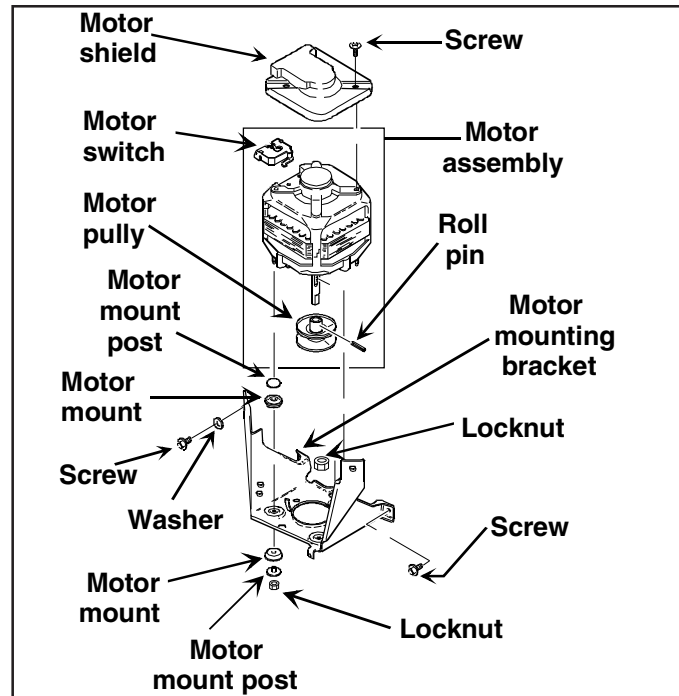
**NOTE:** Tighten screws to 35 inch-pounds maximum. DO NOT overtighten screws!

5. Install motor and pump assembly into washer, see "Motor and Mounting Bracket" procedure.

**NOTE:** After installing motor and pump assembly in the washer and all hoses have been secured, along with reconnecting idler spring. Add at least one quart of water to washtub to lubricate pump seals. Running a pump without water will damage the seals.

### Motor Disassembly

1. Remove nuts, steel washers, spacers and rubber mounts securing motor to mounting bracket.



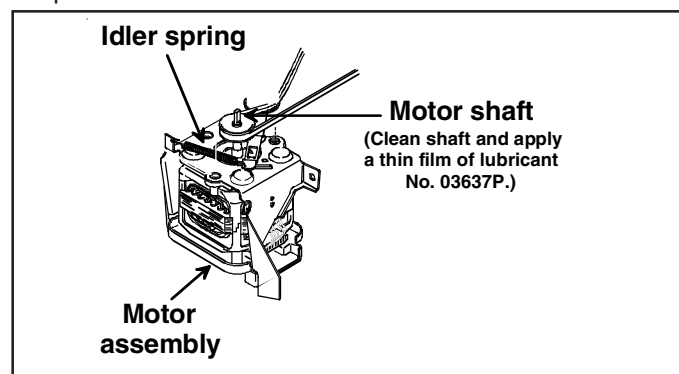
2. Lift motor off mounting bracket and remove remaining rubber mounts and steel washers from motor mounting studs.

**NOTE:** When installing motor on mounting bracket, position motor with switch facing toward left side of mounting bracket.

**NOTE:** When assembling motor to motor bracket, it is extremely important to make sure the motor is centered on isolator pads and all fasteners are evenly torqued.

### Idler Lever and Pulley

1. Remove motor, see "Motor and Mounting Bracket" procedure.



# Disassembly Procedures



## WARNING

To avoid risk of electrical shock, personal injury, or death, disconnect power to unit before servicing.

**NOTE:** Lay motor on its side. Observe belt configuration around rear pump leg. Belt **MUST** encircle rear pump leg when reassembling.

2. Remove nut, washer, and bolt securing idler lever and pulley to motor mounting bracket.
3. Apply a light film of No. 03637P Lubricant to area of idler lever that makes contact with motor mounting bracket.

**NOTE:** **DO NOT OVER LUBRICATE!** Excess lubricant can be thrown into pivot dome area during normal washer operation. Any lubricant on the pivot dome, base or friction ring will affect washer operation.

4. Reverse procedure to reassemble.

### Motor Drive Pulley

1. Remove idler lever and pulley steps 1–3, see “Idle Lever and Pulley” procedure.
2. Lay motor assembly on its side.

**NOTE:** To remove pulley, support motor shaft (to prevent bending shaft) and drive out pulley roll pin.

3. Reverse procedure to reassemble.

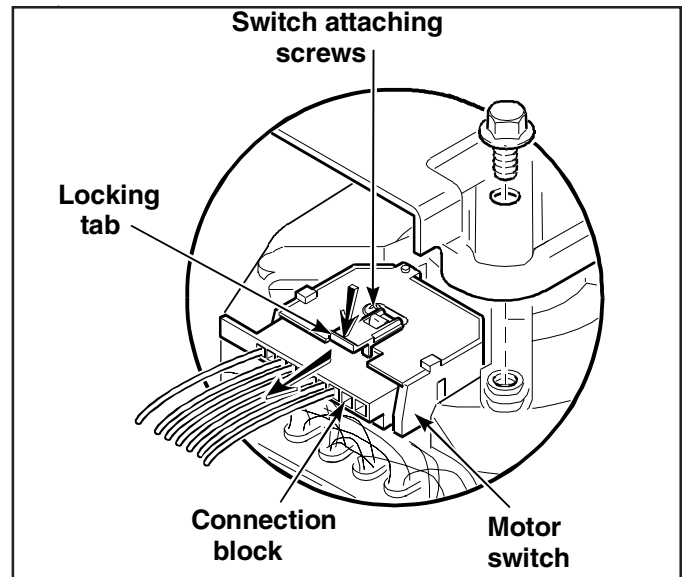
### Motor Switch

1. Remove front panel, see “Front Panel” procedure.
2. Remove screws securing motor shield to motor.
3. Disconnect wire harness from motor switch. Press down on locking tab connection block and at the same time, pull connection block away from motor switch.



## CAUTION

To avoid risk of an open circuit, **DO NOT** pull on terminal block wires when removing block from motor switch as this could damage wires or connection crimpings. Before attaching wire harness connection block to motor switch, verify all male terminals on motor switch are straight and are capable of accepting terminals from wire harness connection block.



4. Remove screw securing motor switch to motor and remove switch.
5. Disconnect internal motor leads from motor switch terminals.

**NOTE:** See appropriate wiring diagram when rewiring components.

### Mixing Valve

1. Disconnect water inlet hoses.
2. Remove screw securing mixing valve bracket.
3. Pull mixing valve bracket and valve out the back of washer.
4. Disconnect quick disconnect terminals from mixing valve solenoid terminals.

**NOTE:** See appropriate wiring diagram when rewiring components.

5. Reverse procedure to reassemble.

### Tub Cover and Gasket

1. There are eight tub cover hold-down tabs which snap over the outer tub flange. Push downward on tub cover, this will release the tension on the hold-down tab on the tub cover. Pull out on the flap and at the same time lift upward on cover to unsnap hold-down tabs from outer tub flange. One by one, disengage each of the eight hold-down tabs from outer tub flange and remove cover.
2. Remove tub cover from outer tub and remove old gasket from tub cover.

**NOTE:** When installing outer tub cover, always use a new cover gasket.

**NOTE:** Clean and remove any foreign material in gasket groove of outer tub cover and outer tub flange.

# Disassembly Procedures



## WARNING

To avoid risk of electrical shock, personal injury, or death, disconnect power to unit before servicing.

3. Press gasket down into gasket groove of tub cover. Avoid pressing gasket past ends of hold-down tabs.

**NOTE:** Care must be taken not to twist or bunch gasket in any one area to avoid leaks after assembly.

4. Install gasket past ends of hold-down tabs to bottom of gasket groove using semi-curved end of tub cover gasket tool Part No. 273P4.

**NOTE:** Tub cover gasket tool, Part No. 273P4, is designed to spread open hold-down tabs to prevent tearing of gasket during installation.

5. Lower cover and press down firmly on top of tub cover until tabs snap over edge of outer tub flange.
6. Cross over to opposite side of tub cover and press down firmly on top of hold-down tabs until tabs snap over edge of outer tub flange. Continue with this crisscross pattern, until tub cover is fully seated. Visually check each tab area again to ensure cover is seated.

## Washtub and Balance Ring

1. Open loading door.
2. Remove agitator, see "Agitator" procedure.
3. Loosen cabinet top, see "Cabinet Top" procedure.
4. Hinge cabinet top open to gain access.
5. Loosen and remove hose clamp and fill hose from outer tub cover.
6. Remove tub cover, see "Tub Cover and Gasket".
7. Remove bolts and washers securing washtub to hub.
8. Lift washtub and balance ring out of outer tub.

**NOTE:** When removing washtub and balance ring, DO NOT lift up on balance ring damage may occur. Grasp top flange of washtub and remove from outer tub.

9. Reverse procedure to reassemble.

**NOTE:** When installing washtub, verify lint filter is between underside of washtub and hub.

## Drive Pulley, Helix and Brake

1. Remove outer tub, see "Outer Tub" procedure.
2. Remove screw, washer and helix securing drive pulley to input shaft and transmission assembly.

**NOTE:** When reinstalling pulley, place a small amount of No. 03200P Lubricant on top side of the drive pulley that will be contacting large flat washers. Lubricate helix ramps and bore with a small amount of No. 03200P Lubricant.

3. Lift drive pulley up and off input shaft of transmission assembly.

**NOTE:** When reinstalling pulley, place a small amount of No. 03200P Lubricant on top side of the drive pulley that will be contacting large flat washers. Lubricate helix ramps and bore with a small amount of No. 03200P Lubricant.

**DO NOT OVER LUBRICATE!** Excess lubricant can be thrown into pivot dome area during normal washer operation. Any lubricant on pivot dome, base or friction ring will affect washer operation. This condition will persist until lubricant is removed.

4. Remove bolts securing brake pads and brake assembly to weldment assembly. Remove brake assembly and pads off bottom of weldment assembly.

**NOTE:** When reinstalling brake assembly, replace all three brake pads. DO NOT replace worn pads only. Apply a small amount of No. 26594P Silicone Lubricant to both sides of each brake pad where it will contact brake assembly.

**DO NOT OVER LUBRICATE!** Excess lubricant can be thrown into pivot dome area during normal washer operation. Any lubricant on pivot dome, base or friction ring will affect washer operation. This condition will persist until lubricant is removed.

5. After brake is installed, put washer through the following check to verify brake is operating properly.
  - a. Turn off electrical power to washer.
  - b. Turn drive pulley one complete revolution in agitation directly, then push drive pulley up against brake.
  - c. Check for a .030 (.76 mm) minimum gap between drive pulley and helix **ramp** surfaces.

**NOTE:** If gap is less than .030 (.76 mm), brake may not stop washtub from spinning in required seven seconds because brake will not close properly.

- d. Turn on electrical power to washer and start washer in the final spin operation.

**NOTE:** After installing complete tub module in washer and all hoses have been reconnected, add at least one quart of water to washtub to lubricate pump seals. **Running a pump without water will ruin the seals.**

After washtub has been spinning for two minutes, normal spin speed should be 427 ± 25 RPM SLOW speed and 640 ± 25 RPM FAST speed on one and two speed models; or 473 ± 25 RPM on SLOW speed and 710 ± 25 RPM on FAST speed on some two speed models and all three speed models. Three speed models never spin on the lowest speeds. If

# Disassembly Procedures



## WARNING

To avoid risk of electrical shock, personal injury, or death, disconnect power to unit before servicing.

not, the cause could be dragging brake pads. If problems occur with steps (c) or (d), remove brake assembly and correct problem.

### Weldment and Bearing Assembly

1. Remove outer tub, see Outer Tub” procedure.
2. Remove screw, washer and helix holding drive pulley to input shaft and transmission assembly.
3. Lift drive pulley up and off input shaft of transmission assembly.

**NOTE:** When reinstalling pulley, place a small amount of No. 03200P Lubricant on top side of the drive pulley that will be contacting large flat washers. Lubricate helix ramps and bore with a small amount of No. 03200P Lubricant.

**DO NOT OVER LUBRICATE!** Excess lubricant can be thrown into pivot dome area during normal washer operation. Any lubricant on pivot dome, hose or friction ring will affect washer operation. This condition will persist until lubricant is removed.

4. Remove bolts securing brake pads and brake assembly to weldment assembly. Remove brake assembly and pads off bottom of weldment assembly.

**NOTE:** When reinstalling brake assembly, replace all three brake pads. **DO NOT** replace worn pads only. Apply a small amount of No. 265494P Silicone Lubricant to both sides of each brake pad where it will contact brake assembly.

**DO NOT OVER LUBRICATE!** Excess lubricant can be thrown into pivot dome area during normal washer operation. Any lubricant on pivot dome, base or friction ring will offset washer operation. This condition will persist until lubricant is removed.

5. After brake is installed, put washer through the following check to verify brake is operating properly.
  - a. Turn off electrical power to washer.
  - b. Turn drive pulley one complete revolution in agitation direction, then push drive pulley up against brake.
  - c. Check for a .030 (.76 mm) minimum gap between drive pulley and helix **ramp** surfaces.

**NOTE:** If gap is less than .030 (.76 mm), brake may not stop washtub from spinning in required seven seconds because brake will not close properly.

- d. Turn on electrical power to washer and start washer in the final spin.

**NOTE:** After installing complete tub module in washer and all hoses have been reconnected, add at least a quart of water to washtub to lubricate pump seals. Running a pump without water will

ruin the seals.

After washtub has been spinning for two minutes, normal spin speed should be  $427 \pm 25$  RPM SLOW speed and  $640 \pm 25$  RPM FAST speed on one and two speed models; or  $473 \pm 25$  RPM on SLOW speed and  $710 \pm 25$  RPM on FAST speed on some two speed models and all three speed models. Three speed models never spin on the lowest speeds. If not, the cause could be dragging brake pads. If problems occur with steps (c) or (d), remove brake assembly and correct problem.

6. Remove bolts securing counterweight and each support leg to outer tub. Lift transmission, weldment assembly and counterweight off tub.

**NOTE:** It may be necessary to tap lightly on the weldment assembly to loosen it from transmission tube.

Torque screws between 100 to 150 inch-pounds.

7. Remove screws and washers securing counterweight to leg on weldment assembly.
8. Reverse procedure to reassemble.

### Transmission Assembly

1. Remove outer tub, see Outer Tub” procedure, steps 1 through 11.
2. Remove screws securing each support leg to outer tub. Lift weldment assembly, and brake assembly off transmission tube.

**NOTE:** It may be necessary to tap lightly on weldment assembly to loosen it from transmission tube.

When installing lower bearing, weldment assembly and brake assembly, apply No. 27604P Anti-Seize Compound to area of transmission tube that will be contacting bearing.

Do not overtighten screws as this could cause stripping or damage. Torque screws between 100 to 150 inch-pounds.

**NOTE:** When replacing or reinstalling transmission assembly, it is important that No. 27604P Anti-Seize Compound be applied to area of the transmission tubes where they will be contacting upper and lower bearings.

Carefully lower transmission through upper bearing. **DO NOT DROP OR LOWER TRANSMISSION ASSEMBLY INTO POSITION TOO HARD.** This can cause bearing to move which will cause vibration, noise, wear or no spin.

# Disassembly Procedures



## WARNING

To avoid risk of electrical shock, personal injury, or death, disconnect power to unit before servicing.

### Upper Bearing Assembly

1. Remove transmission assembly, see “Disassembly of Transmission Assembly” procedure.
2. Remove screws securing each support leg to outer tub.
3. Lift complete weldment assembly (with drive pulley, brake assembly, lower bearing, and transmission assembly attached) off outer tub.

**NOTE:** Do not overtighten screws as this could cause stripping or damage.

4. Remove screws securing upper bearing and housing to bottom of outer tub.

**NOTE:** Replace bearing and housing as an assembly. When upper bearing assembly is reinstalled, threads of cap screws must be secured with a retaining compound.

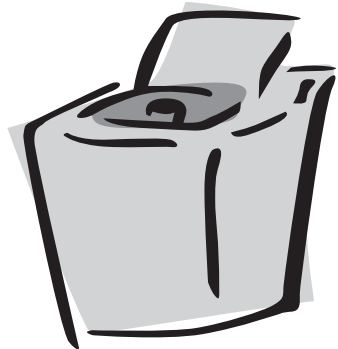
### Friction Ring

1. Remove outer tub, see “Outer Tub” procedure.
2. Remove friction ring and replace with new friction ring.
3. Reverse procedure to reassemble.

**NOTE:** When installing module springs, make sure spring hooks are fully seated in the holes.



# Appendix A



# Installation Instructions

## Top Loading Washer

Keep instructions for future reference. Be sure manual stays with washer.

### 1 MOVE WASHER TO FINAL AREA; REMOVE SHIPPING BRACE & PLUG

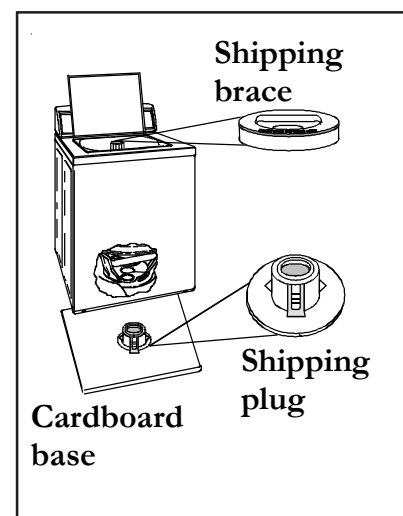
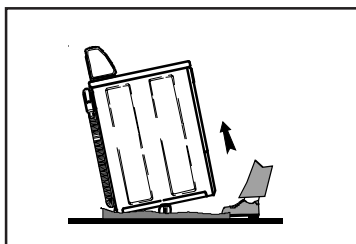
Protect the floor when moving the washer. Washer must be within 4 feet of desired area before beginning installation. Open washer lid and remove installation parts from shipping brace for use.

Reach through foam shipping brace, grasp bottom of brace, and pull up to remove.

**NOTE:** Save shipping plug and shipping brace; reinstall whenever washer is moved more than 4 feet.

Do not lift or move washer without shipping materials in place.

To remove the shipping plug from the washer, step on the cardboard base, tilt the washer back, and slide out the base.

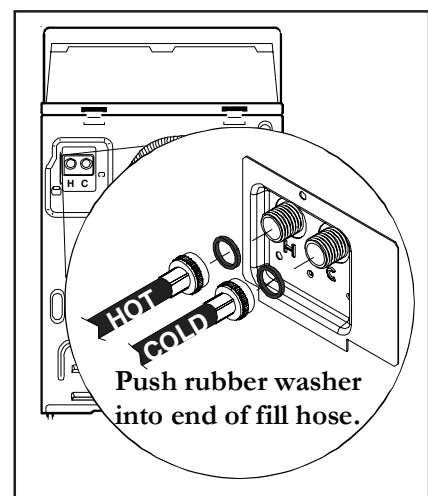


### 2 CONNECT WATER FILL HOSES TO WASHER

Tightly push one flat rubber washer into one end of each water fill hose and attach this end of hose to washer. HOT and COLD connections are identified by letters H and C stamped into washer cabinet and by HOT and COLD printed on water fill hoses.

In most cases, hoses should **cross** when attached to correct water temperature faucet.

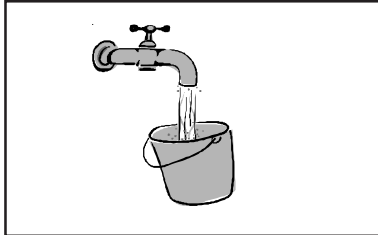
Tighten hose connections by hand until snug, then another ¼ turn with pliers. DO NOT cross-thread or over-tighten couplings.



# Installation Instructions

## 3 CONNECT WATER FILL HOSES TO FAUCETS

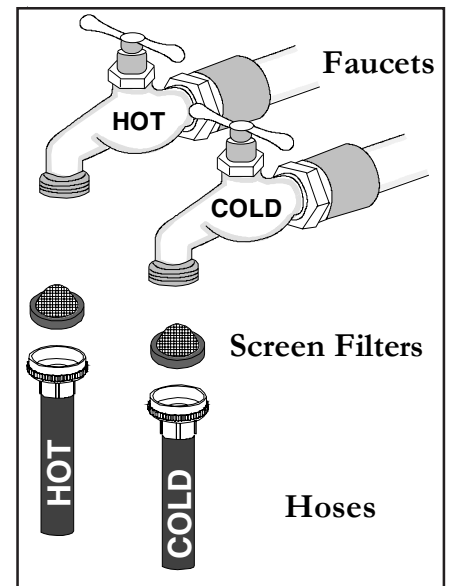
Before connecting hoses to water supply, turn on faucets and **flush lines** for approximately 2 minutes to remove foreign matter that could clog filter screens in water mixing valve or fill hoses.



Tightly push one screened filter washer onto remaining end of each water fill hose. Attach water hoses to HOT and COLD faucets. **BE SURE HOT WATER HOSE IS CONNECTED TO HOT WATER FAUCET.**

Tighten hose connections by hand until snug, then another ¼ turn with pliers. **DO NOT** cross-thread or over-tighten couplings.

**Turn on water and check for leaks.** If leaks are found, retighten hose couplings. Continue tightening and rechecking until no leaks are found.



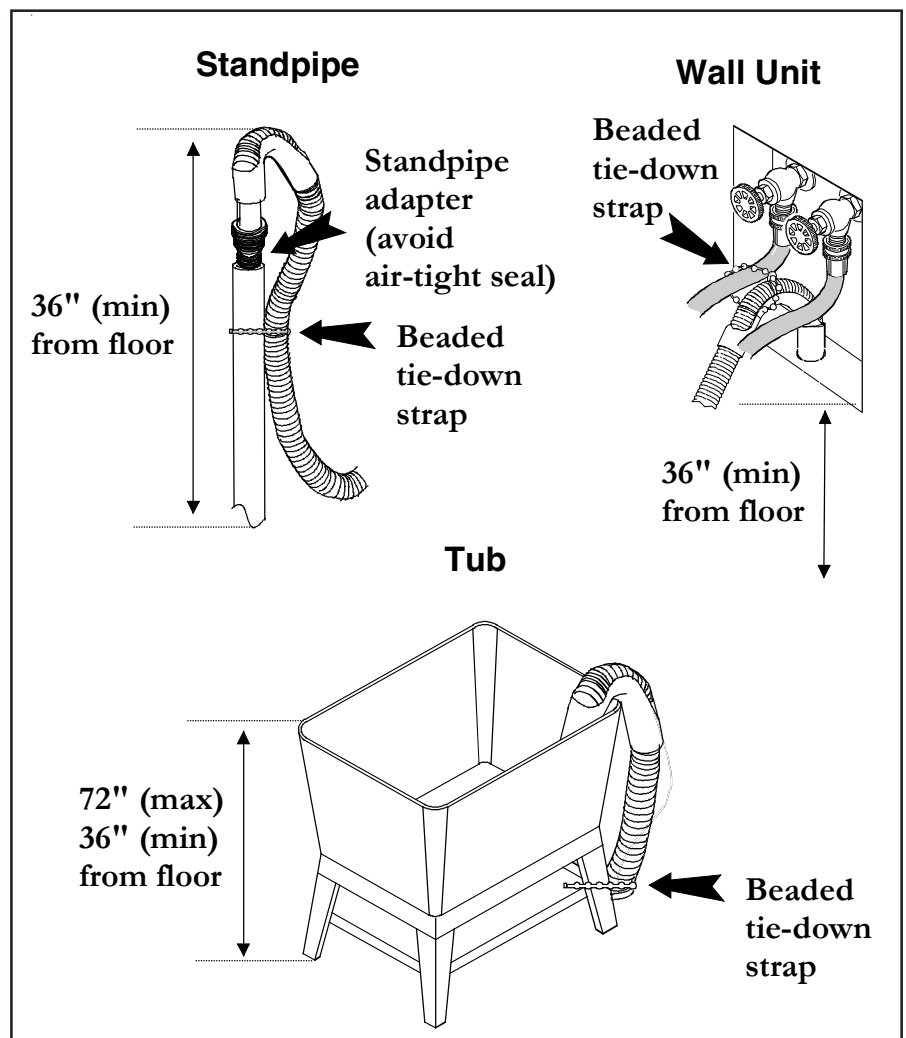
## 4 SECURE DRAIN HOSE TO DRAIN

Remove drain hose from shipping position on rear of washer by unhooking hose from retainer clamp. **Use beaded tie-down strap to secure** "hook" end of drain hose to standpipe, wall inlet hoses, or laundry tub (must hold at least 20 gallons).

**IMPORTANT:** To prevent siphoning, do not place ribbed portion of drain hose into standpipe. Avoid air-tight seal around standpipe adapter.

For standpipe installation below 36" (91.4 cm), install Siphon Break Kit part #562P3.

For standpipe installation above 48" (121.2 cm), install a check valve to prevent water from flowing back into washer. Available from local hardware store.



# Installation Instructions

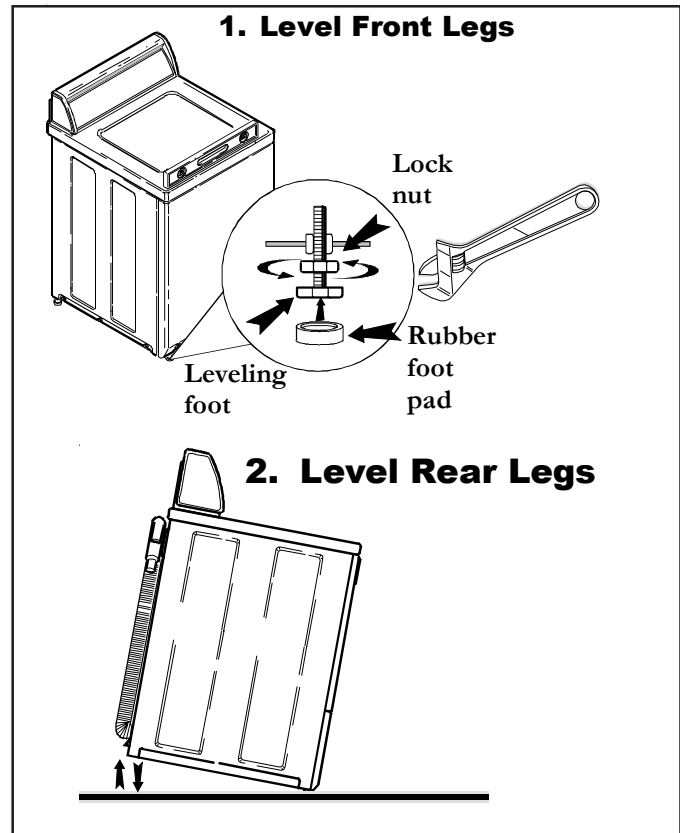
## 5 POSITION AND LEVEL WASHER

Position washer in final location on clean, dry, firm, and level floor.

**NOTE:** To avoid damage to legs and base, do not slide washer across floor if leveling legs have been extended.

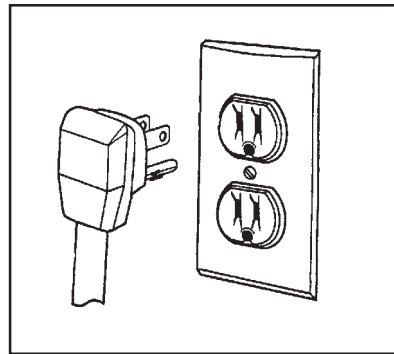
1. Loosen  $\frac{7}{8}$ " locknuts and extend front leveling legs. Place rubber foot pads on all four leveling legs. Adjust front 2 leveling legs until machine is level side-to-side. Be sure machine does not rock. Tighten locknuts up to washer base, or washer will move out of position during operation.
2. Once front legs are adjusted, gently tilt washer forward on front legs and lower into place to correctly set rear self-leveling legs.

Check that washer is level front-to-back and side-to-side. **WASHER MUST NOT ROCK.**



## 6 CONNECT POWER CORD TO ELECTRICITY

See *Installation Requirements* section. Plug washer into 3-prong grounded outlet only.



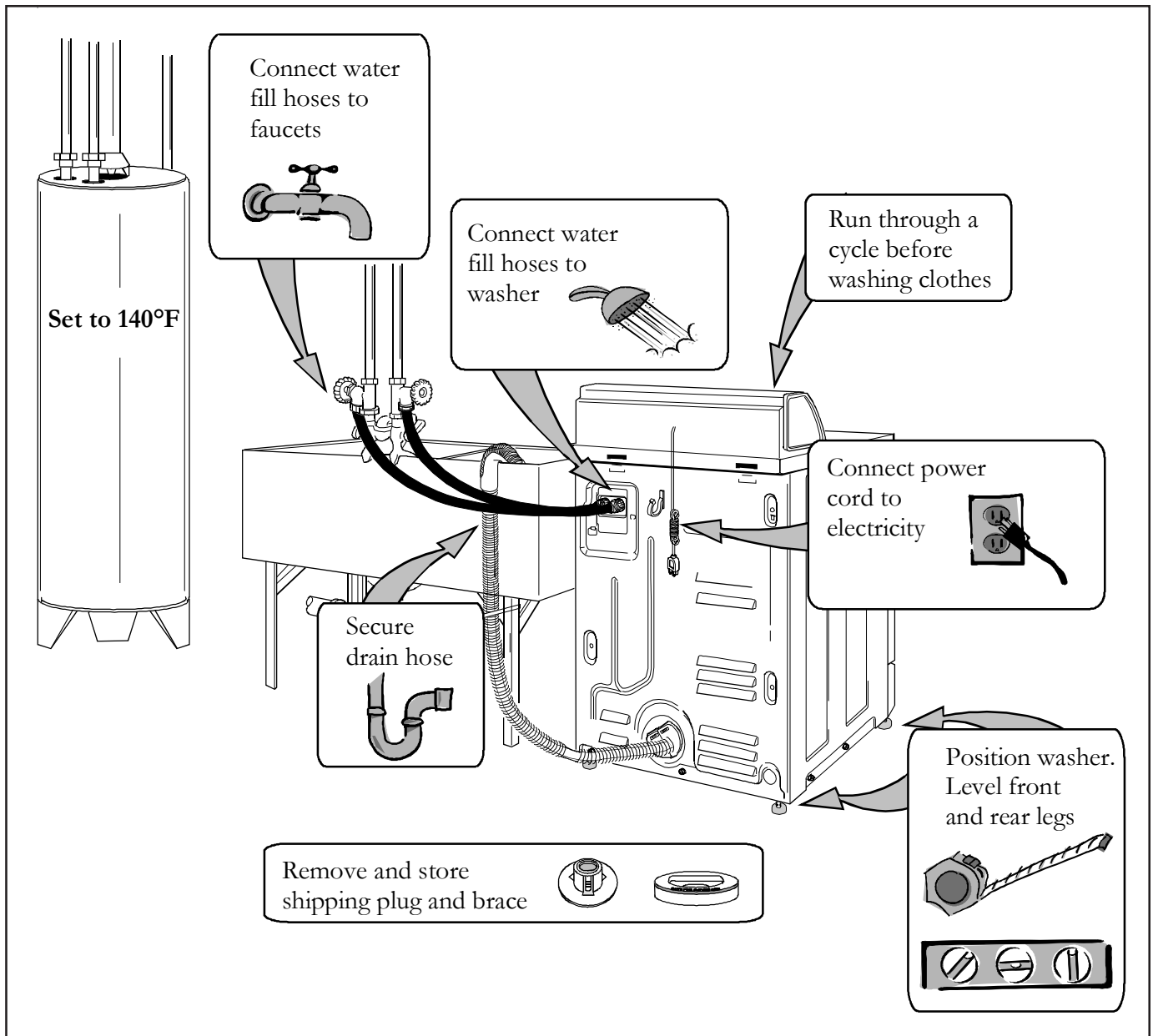
Questions?  
See *Owner's Manual* or call  
Amana  
Consumer  
Affairs  
Department  
1-800-843-0304

## 7 CLEAN TUB AND RUN THROUGH ONE WASH CYCLE WITHOUT CLOTHES

Wipe tub with clean rag and soap diluted in warm water to remove any oil used in manufacturing. Use household spray cleaner if necessary.

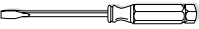



Add water and detergent to washtub, and run before first use.

# Installation Summary




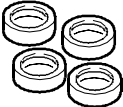



## You'll Need a Few Things Before You Begin

### Tools

- Screwdriver 
- Pliers 
- Wrench 
- Level 

### Parts Supplied (In shipping brace)

- 2 water fill hoses 
- 2 screened hose filters 
- 2 flat rubber washers 
- 4 rubber leveling foot pads 
- beaded tie-down strap 

# Important Safety Information

## About Ground Wires

In the event of an electrical short circuit, a ground wire reduces the risk of electric shock by providing an escape wire for the electric current.

Standard accepted color coding for ground wires is **green** or **green with a yellow stripe**.

Grounding wires and wires colored like grounding wires are **NOT** to be used as current carrying conductors.

## Save These Instructions

# Grounding Instructions

For safety, washer must be grounded. All washer power supply cords are equipped with 3-prong grounding plug. Plug on cord must be plugged into appropriate outlet that is properly installed and grounded in accordance with all local codes and ordinances. Do not modify plug on washer cord. If plug will not fit outlet, have qualified electrician install proper outlet.

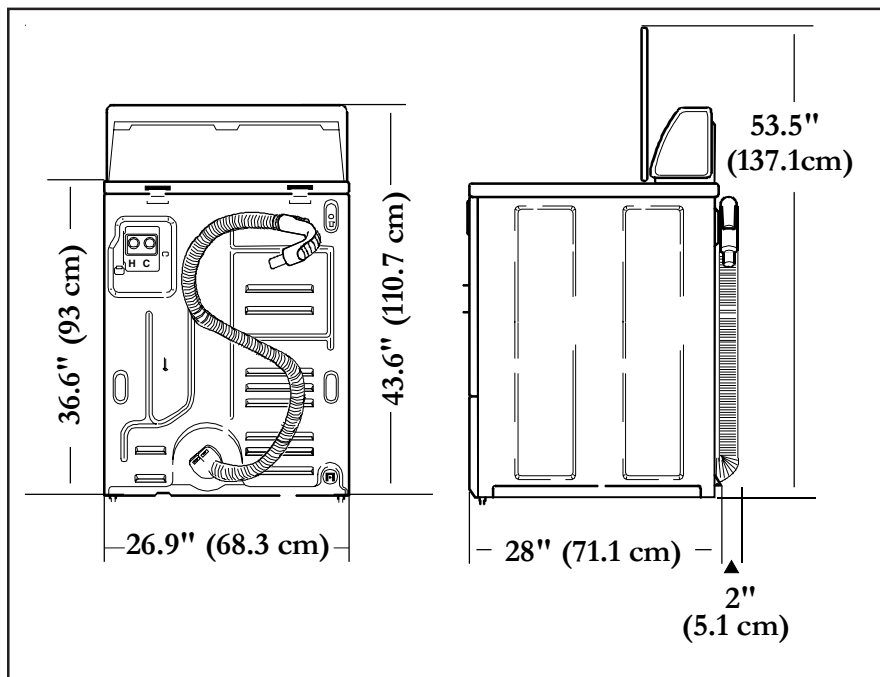


## WARNING

To avoid risk of personal injury or death due to electrical shock:

- **Observe all local codes and ordinances.**
- Disconnect electrical power to unit before servicing.
- Ground appliance properly.
- Check with a qualified electrician if you are not sure this appliance is properly grounded.
- DO NOT ground to gas line.
- DO NOT ground to cold water pipe if pipe is interrupted by plastic, non-metallic gaskets, or other insulating (non-conducting) materials.
- DO NOT modify plug on power cord. If plug does not fit electrical outlet, have proper outlet installed by qualified electrician.
- DO NOT have a fuse in the neutral or ground circuit. A fuse in the neutral or ground circuit could result in an electrical shock.
- DO NOT use an extension cord with this appliance.
- DO NOT use an adapter plug with this appliance.
- DO NOT pinch power cord.

## Washer Dimensions



## Optional Kits

Kits are available at extra cost through Amana dealer or Amana factory 1-800-843-0304.

### Siphon Break Kit

For standpipe installation below 36" (91.44 cm), install part #562P3.

### Longer Water Inlet Hoses

8' (2.44 m) inlet hose, part #20617.  
10' (3.05 m) inlet hose, part #20618.

### Drain Hose Extension

Order this kit in two parts: the coupler, part #406P3, and 1' additional drain hose, part #20616.

### Anchor Kit

To stop washer from moving on uneven surfaces, install part #155P3.

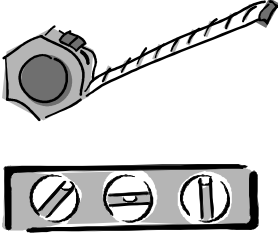
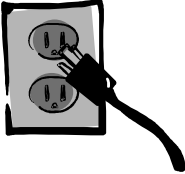
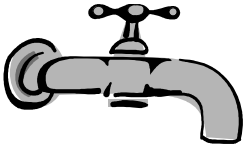
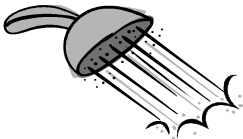
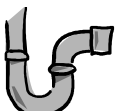
### Adjustable leg Extension Kit

To level washer on extremely uneven surfaces, install part #566P3.

# Installation Requirements

Before You Install



Consider	Description
<p><b>Location</b></p> 	<p>Use dimensions shown in manual to determine space needed for easy installation and servicing.</p> <p>Install washer on a solid floor. Never install washer on a platform or weak support structure.</p> <p>Wood floor constructions may sometimes need to be reinforced to minimize vibration from unbalanced loads.</p> <p>DO NOT install washer on carpeted floor. Carpet and soft tile surfaces also contribute to vibration and/or tendency for washer to move slightly during spin cycle.</p>
<p><b>Electrical Requirements</b></p> 	<p>Washer requires 120 volt, 15 amp, 60 Hz power supply and <b>3-prong grounding plug</b>. Power cord is approximately 69" long. Refer to serial plate for specific requirements. Wiring diagram is located in control hood.</p>
<p><b>Water Supply Faucets</b></p> 	<p>Water supply faucets must fit standard <math>\frac{3}{4}</math>" (19.05 mm) female garden hose couplings. Do not use slip-on or clamp-on connections.</p> <p>NOTE: Water supply faucets should be easily accessible and turned off before extended periods of non-use.</p>
<p><b>Water Pressure</b></p> 	<p>Static pressure measured at faucet must be 20–120 pounds per square inch (138 to 827 kPa). Water pressure under 20 pounds per square inch (138 kPa) results in extended washer fill time.</p>
<p><b>Drain</b></p> 	<p>Drain receptacle must be able to handle hose with at least <math>1\frac{1}{4}</math>" (32cm) outside diameter. End of drain hose must be 36" (91.44 cm) above floor, or water may run out of washer before end of cycle.</p>

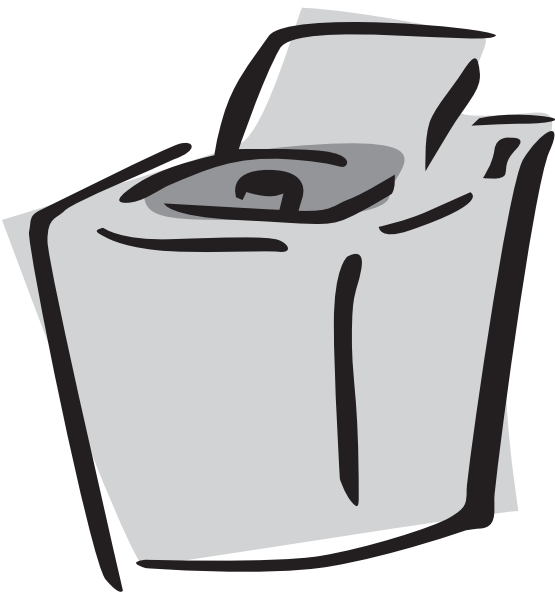




# Appendix B



# Owner's Manual



## Top Loading Washer

Keep instructions for future reference. Be sure manual stays with washer.

### Contents

Important Safety Information .....	B-4
Starting the Wash .....	B-5
Cycles .....	B-7
Dispensers .....	B-8
Features, Hints, and Care .....	B-9
Moving and Storage .....	B-10
Trouble Shooting .....	B-11
Warranty .....	B-13

# Thank you for buying an Amana washer!

Please take the time to complete the registration card and return promptly. If registration card is missing, call Amana Consumer Affairs Department. When contacting Amana, provide product information from serial plate found on lower right hand corner of inner lid:

Model Number \_\_\_\_\_  
Manufacturing (P) Number \_\_\_\_\_  
Serial Number (S/N) \_\_\_\_\_  
Purchase Date \_\_\_\_\_  
Dealer Name \_\_\_\_\_  
Dealer Address \_\_\_\_\_  
Dealer Phone \_\_\_\_\_

**Keep this manual and your sales receipt together in a safe place** for future reference or if warranty service is required.

For answers to questions or to locate an authorized servicer, call 1-800-NAT-LSVC (1-800-628-5782) inside USA or 319-622-5511 outside USA. Warranty service must be performed by an authorized servicer. Amana Appliances also recommends contacting an authorized servicer if service is required after warranty expires.

## Asure™ Extended Service Plan

Amana Appliances offers long-term service protection for this new washer. Asure™ Extended Service Plan, covering functional parts, labor, and travel charges, is specially designed to supplement a strong warranty. Call 1-800-528-2682 for information.

## Parts and Accessories

Purchase replacement parts and additional accessories by phone. To order accessories for your Amana product, call 1-800-843-0304 inside USA or 319-622-5511 outside USA.

## Save Time and Money

If something seems unusual, please check “Trouble Shooting” section, which is designed to help you solve problems before calling service. If you have a question, write or call us (include model number and phone number) at:

Consumer Affairs Department Amana  
Appliances  
2800 - 220th Trail  
Amana, Iowa 52204  
Ph# 1-800-843-0304

For more information on this and other Amana products, visit our Web site  
**www.amana.com**  
or  
call Consumer Affairs Department at  
**1-800-843-0304**

## What You Need to Know about Safety Instructions

Warning and Important Safety Instructions appearing in this manual are not meant to cover all possible conditions and situations that may occur. Common sense, caution, and care must be exercised when installing, maintaining, or operating washer. Always contact your dealer, distributor, service agent, or manufacturer about problems or conditions you do not understand.

## Recognize Safety Symbols, Words, Labels



**DANGER**—Immediate hazards which **WILL** result in severe personal injury or death.



**WARNING**—Hazards or unsafe practices which **COULD** result in severe personal injury or death.



**CAUTION**—Hazards or unsafe practices which **COULD** result in minor personal injury or product or property damage.

# Important Safety Information

## **WARNING**

**To reduce risk of fire, electric shock, serious injury, or death when using your washer, follow these basic precautions:**

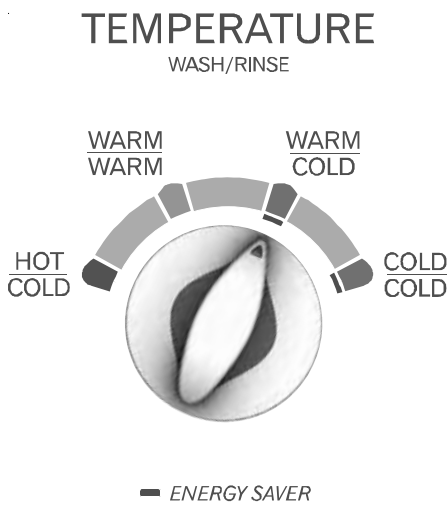
1. Read all instructions before using washer.
2. Be sure washer is properly grounded.
3. Do not wash articles that have been cleaned in, washed in, soaked in, or spotted with gasoline, dry-cleaning solvents, or other flammable or explosive substances. Vapors could ignite or explode.
4. Do not add gasoline, dry-cleaning solvents, or other flammable or explosive substances to wash water. Vapors could ignite or explode.
5. Do not store or use gasoline or other flammable vapors and liquids near this or any other appliance.
6. Do not allow children to play on or in washer. Close supervision of children is necessary when washer is used near children, a safety rule for all appliances.
7. Before washer is removed from service or discarded, remove door to washing compartment.
8. Do not reach into washer if wash tub is moving.
9. Do not install or store washer where it will be exposed to water and/or weather.
10. Do not tamper with washer controls.
11. Do not repair or replace any part of washer or attempt any service, unless specifically recommended in user-maintenance instructions or in published user-repair instructions that you understand and have skills to carry out.
12. To reduce risk of electric shock or fire, do not use extension cords or adapters to connect washer to electrical power source.
13. Use your washer only for its intended purpose: non-commercial clothes washing.
14. Always disconnect washer from electrical supply before attempting any service. Disconnect power cord by grasping the plug, not the cord.
15. Install washer according to Installation Instructions. All connections for water, drain, electrical power, and grounding must comply with local codes and be made by licensed personnel when required.
16. To reduce risk of fire, do not use washer to launder clothes which have traces of any flammable substance, such as vegetable oil, cooking oil, machine oil, flammable chemicals, thinner, etc., or anything containing wax or chemicals, such as mops and cleaning cloths. Flammable substances may cause fabric to catch fire by itself.
17. Use only fabric softeners or products to eliminate static that are appropriate for automatic washers.
18. Keep your washer in good condition. Bumping or dropping washer can damage safety features. If damage occurs, have washer checked by qualified service technician.
19. Replace worn power cords and/or loose plugs.
20. Loading door must be closed whenever washer is agitating or spinning. Do not bypass loading door switch by permitting washer to operate with loading door open.
21. Always read and follow manufacturer's instructions on packages of laundry and cleaning aids. Heed all warnings or precautions. To reduce risk of poisoning or chemical burns, keep products away from children at all times, preferably, in a locked cabinet.
22. Never operate washer with guards and/or panels removed.
23. Do not operate washer with missing or broken parts.
24. Do not bypass safety devices.

## Save These Instructions

# Starting the Wash

## ? If These Controls are Different from Yours

These controls are intended to show the variety of features that are available in the product line. If your washer does not have all the options that are shown, it is not a mistake. The information provided applies to several of the models in the product line.



### 1. Prepare clothes for washing

For best wash results:

- Remove items from pockets and cuffs
- Close zippers and fasteners; mend rips and tears
- Sort items into separate loads
- Pre-treat stains and heavily soiled areas

### 2. Select WASH/RINSE temperature

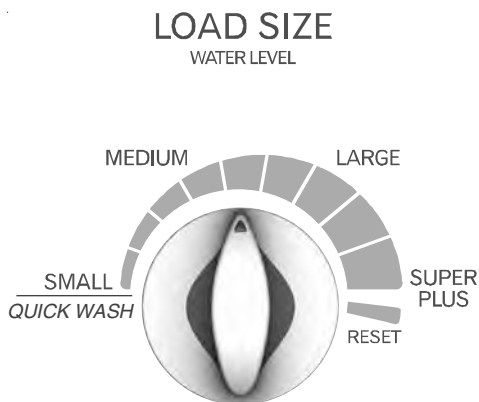
Always follow garment manufacturer's care labels for each fabric. See chart below.

WASH / RINSE	TYPE OF CLOTHING
Hot/Cold	Sturdy whites and colorfast items; work clothes, soiled items, and cloth diapers
Warm/Warm Available on some models	Delicate or colorfast items
Warm/Cold –	Moderately soiled permanent press, silks, woolens, nylon, acrylic Rinsing of some items
Cold/Cold –	Non-colorfast items Extra-delicate clothing Rinsing of most items

**NOTE:** Energy Saver settings, marked with a dash (–), show temperature settings that use the least energy.

### 3. Select LOAD SIZE / WATER LEVEL

Variable control allows you to select the most appropriate setting for each wash load. Do not fill above top row of holes in tub with clothes. Use Water Level chart below to determine setting.



**IMPORTANT:** Do not hold knob at RESET for extended periods or washer flooding may result.

LOAD SIZE	WATER LEVEL
Super Plus	Max. Fill
Large	3/4 – Full
Medium	1/2 – 3/4 Full
Small <b>QUICK WASH</b>	1/2 Full

### If you change your mind and the LOAD SIZE SETTING

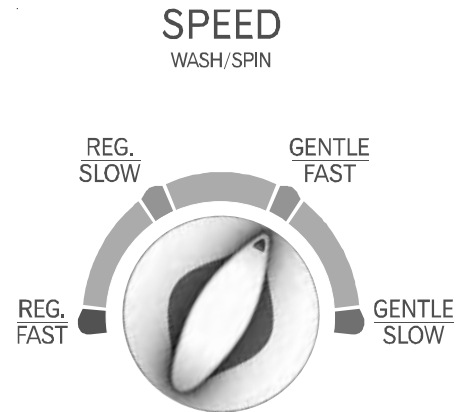
If the tub is filling and you decide to change the LOAD SIZE SETTING, you must turn the knob to RESET before changing the load size. The tub can overflow if you do not turn to RESET first.

# Starting the Wash (cont'd)

## 4. Select WASH/SPIN speed

Select wash/spin speed most appropriate to type of fabric in wash load. See chart below.

WASH/SPIN SPEED	LOAD TYPE
Regular/Fast	Sturdy fabrics needing maximum water extraction
Regular/Slow	Sturdy fabrics needing slower spin speed to reduce wrinkling
Gentle/Fast	Heavy loads of delicate fabrics needing fast spin for better water extraction
Gentle/Slow	Delicate fabrics needing slower spin to protect fabric and clothing



## 5. Select wash cycle and time

Push timer knob in and turn to desired cycle and wash time. Timer knob can be turned in either direction. Wash cycle and time selection depends upon type of fabric and amount of soil. For best results when cleaning heavily soiled items, use longer wash time, up to 15 minute maximum. Lightly soiled items require less wash time. See "Cycles" section for more information.

## 6. Select EXTRA RINSE, if desired

**EXTRA RINSE** is useful for people with detergent sensitive skin. It provides a second rinse to more completely remove laundry additives, suds, and perfumes in REGULAR, PERMANENT PRESS/KNITS, and DELICATE cycles. To select, set switch to ON. Set switch to OFF if not desired. EXTRA RINSE adds 10–15 minutes to total cycle time.

## EXTRA RINSE



**EXTRA SPIN (some models)** should be used when washing heavier items, like towels, that retain water. The extra spin extracts additional water from the clothing and shortens drying times. To select, set switch to ON. Set switch to OFF if not desired. EXTRA SPIN adds approximately 3 minutes to your total wash time.

## 7. Pull OUT timer knob to start

Water fill begins. Stop washer by pushing knob in.

### Measure and add detergent to washtub

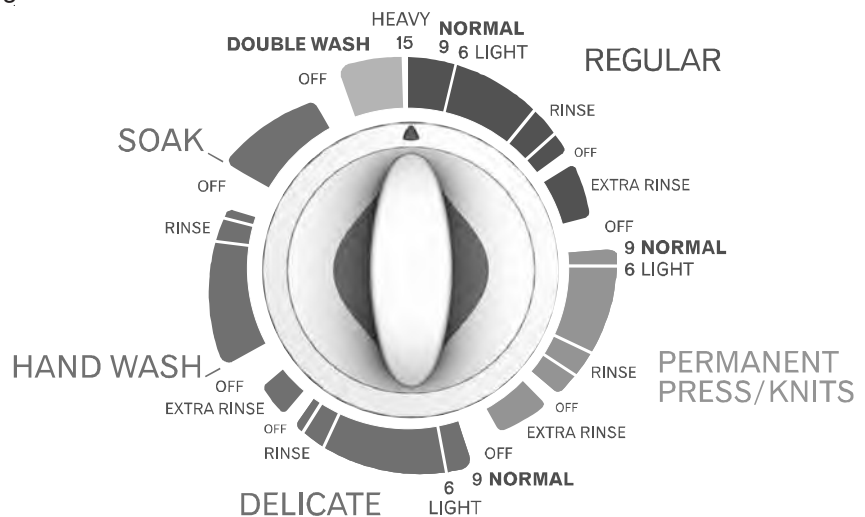
Use only detergent recommended for top-loading washers.

### Add clothing to water in washtub

- Clothes should fill wash tub but should not be packed. Loosely fill tub with clothes no higher than top row of holes. Items must move freely through wash/rinse water.
- Bulky fabrics may need more water added after agitation begins. Turn Load Size knob to RESET and back to desired setting.

### Close washer lid

Washer will not operate when lid is open.



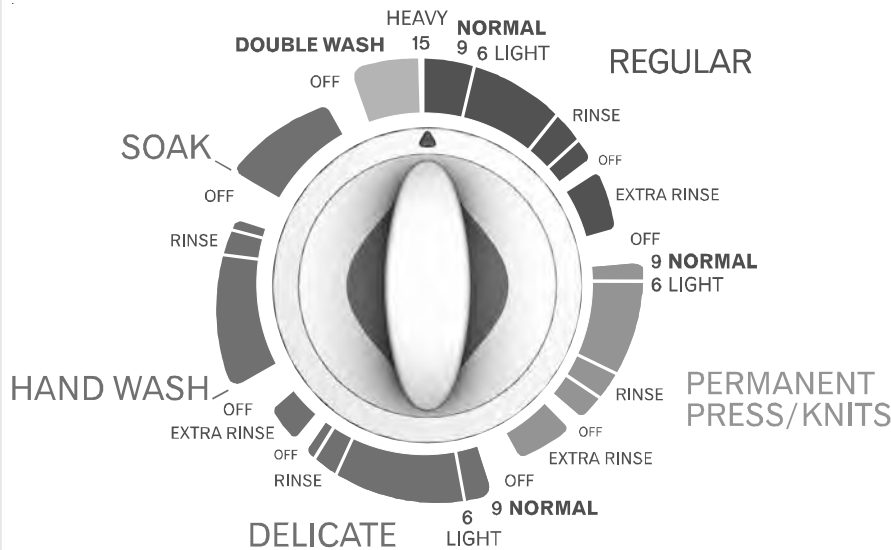
# Cycles

## ? If These Controls are Different from Yours

These controls are intended to show the variety of features that are available in the product line. If your washer does not have all the options that are shown, it is not a mistake. The information provided applies to several of the models in the product line.

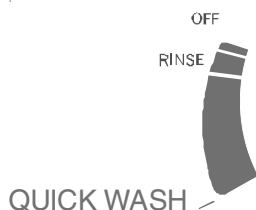
### What do the little numbers mean?

Numbers next to cycle setting shows the approximate total agitation time. The total wash time includes periods of soaking and is longer than the agitation time.



PULL KNOB TO START - PUSH TO STOP

### QUICK WASH (SOME MODELS)



Use for a small load of lightly soiled items that needs to be washed quickly. QUICK WASH has a shortened cycle with a light period of agitation. It then automatically sets to a fast spin speed to help shorten drying times. The total cycle time is approximately 15-20 minutes.

### SOAK (SOME MODELS)

Use for heavily soiled or stained items. Washtub fills with water, pauses approximately 12 minutes for soaking, and spins water out to complete cycle.

### HAND WASH (SOME MODELS)

Use for fine fabrics normally washed by hand. To protect fragile fabrics, washer speed automatically runs at Gentle/Slow, regardless of position of speed selector switch.

### REGULAR

Use for sturdy items, like play or work clothes, towels, T-shirts, etc.

### DOUBLE WASH

DOUBLE WASH automatically advances into the REGULAR wash cycle. Use to wash heavily soiled clothes twice with detergent in each cycle.

To deliver extra detergent,

- LIQUID DETERGENT: place in fabric softener dispenser for use in second wash. *DO NOT use dispenser for fabric softener.*
- POWDER DETERGENT: place extra detergent in tub for use in first wash; recommend approximately 1½ times normal amount.

### PERMANENT PRESS/KNITS

Use for clothes that recommend a permanent press cycle and other synthetics.

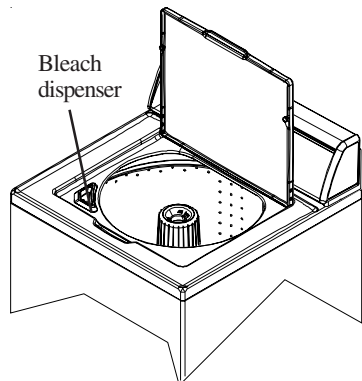
### DELICATE

Use to wash delicate items often washed by hand. Even with small loads, full tub of water is recommended so items can move freely for more complete cleaning. More water also helps reduce fabric wear and wrinkling. To protect delicate fabrics, washer speed automatically runs at Gentle/Slow, regardless of position of speed selector switch.

# Dispensers

## Bleach Dispenser

Bleach dispenser is located in left front corner under loading door.



**Use only liquid bleach in dispenser. To use powdered bleach, add to wash tub with detergent.**

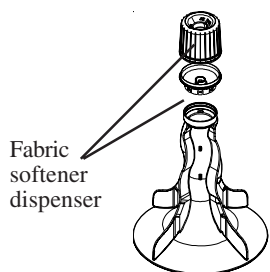
Carefully and slowly, pour recommended amount of bleach into dispenser during first washer fill. See table.

Be careful not to spill undiluted bleach. It is a strong chemical and can damage cabinet finishes and some fabrics if not properly diluted. Follow bleach manufacturer's label for proper use.

LOAD SIZE	BLEACH (Max Amt.)
SUPER PLUS	1 cup
LARGE	1 cup
MEDIUM	3/4 cup
SMALL	1/2 cup

## Fabric Softener Dispenser

Fabric softener dispenser is located on top of agitator. Dispenser automatically releases liquid fabric softener at proper time during rinse cycle.

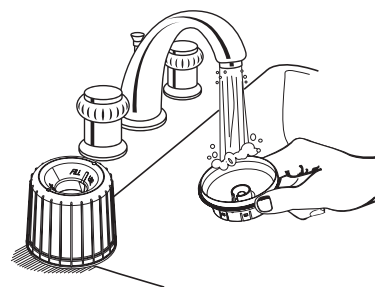


### Fabric Softener Use Tips

- Liquid fabric softeners are dispensed during final rinse. Do not combine with bleach, bluing, starch, detergents, soaps, or packaged water conditioners during rinse.
- Do not use fabric softener in dispenser during DOUBLE WASH cycle.
- Do not mix powdered detergent with liquid softener in dispenser or softener will become gummy.

### To use dispenser, follow these steps:

1. Pour liquid fabric softener into dispenser, using amount recommended on package.
2. Add water up to fill level, but do not exceed tip of fill arrow indicator. **FABRIC SOFTENER MUST BE DILUTED FOR USE.**
  - Do not stop washer during first spin or dispenser will empty too soon.
  - Never pour fabric softener directly onto clothes or spots and stains may result. To remove softener stains, soak in soapy solution of Sard™ Wonder Soap or Ivory™ soap, or rub stain with bar of Sard™ or Ivory™ soap and wash garment as usual.
  - For best softener performance, set water level to medium or higher.
3. **Clean softener dispenser after each use.** Remove dispenser housing from agitator by squeezing lower part of dispenser and pulling up on housing while tilting slightly to expose dispenser cup. Rinse dispenser housing and cup in hot soapy water.



Clean funnel shape in top of agitator and inside of agitator. Use small brush on hole and slots in two funnel rings for thorough cleaning.

After cleaning, re-install dispenser cup. Push dispenser housing directly down onto top of agitator until firmly snapped together.

To prevent build-up, fill dispenser with clean water in wash cycles when not using softener.



# Features, Hints, and Care

## Follow the Colors

Your washer control panel is color coordinated for your convenience. When you set your washer controls, notice which colors are the same. They will help guide you through setting the controls.

## Need more Time? Reset the Timer Knob.

Although wash cycles are automatic, timer may be reset to lengthen, shorten, or repeat a portion of a cycle. To set or reset timer, push in timer knob to stop washer. Hold in timer knob firmly while slowly turning it to desired setting. Pull out timer knob to start washer.

## Stops and Starts

Wash action consists of periods of agitation, with pauses or periods of soaking. For best results, do not turn timer through pauses, which are normal part of wash cycles.

## Cleaner Clothes

**Water temperature** affects how clean clothes become. If your clothes are not as clean as you would like, check your water heater temperature. You may need to turn your water temperature up to 140°F. Also, check that your water hoses are hooked up correctly. If they are switched you might be getting cold water in your warm and hot cycles.

**Hard water** does not remove soil as well as soft water. Check with your local water company to see if you have hard water. If you have hard water, try softening it with a packaged conditioner or use a little more detergent.

## Risers

Risers or air cushions may be installed if pipes knock or pound when flow of water stops. Risers are more efficient when installed as close as possible to water supply faucets.

## Lint Filter

Amana's self cleaning lint filter works throughout the wash cycle to constantly remove lint and other residue from the water. Located between the outer and inner tub, the lint filter removes lint as water passes from the bottom of the outer tub back to the inner tub. As water passes from the outer tub to the inner tub, water is forced through the bottom of the lint filter. The filter traps lint under the filter until the spin cycle begins. During the spin cycle centrifugal force removes the lint by pulling it off the bottom of the filter and washing it down the drain.

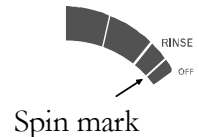
## Motor Overload Protector

Internal overload protector automatically stops motor in event of overload. Overload protector resets in approximately 3 minutes and motor automatically restarts. If overload protector stops motor again, stop using washer and call service technician. Loading wash tub too full may result in motor overload.

## Automatic Balance System

Your new washer will automatically adjust to unbalanced loads without shutting down or interrupting the cycle. The cycle will automatically complete at the fastest spin speed possible.

In a severe out-of-balance condition, clothes may contain excessive moisture. If this should happen, simply redistribute the clothes, and reset the control to the spin mark after the rinse setting in the regular cycle.



## Safety Lid Switch

The washer will not spin when the lid is open for any reason. This is for your personal safety. If the lid is opened mid-cycle, operation will automatically start when lid is closed.

## General Washer Care

- Use only damp or sudsy cloth for cleaning control panel. Some cleaning product sprays may harm control panel finish or may damage interior of hood.
- Wipe washer cabinet as needed. If detergent, bleach, or other washing products are spilled on cabinet, wipe immediately. Some products will cause permanent damage if spilled on cabinet.
- Top of washer should not be used for removing garment stains. Some stain removers, such as rust remover, may damage cabinet finish.
- Do not use scouring pads or abrasive cleansers.
- Do not lay sharp or rough objects on or against washer. Finish could be damaged.
- Remove pins, buckles, or other sharp objects from clothes to prevent scratching interior parts.
- Leave lid open after use to allow inside of washer to dry, and to help prevent musty odors from developing.
- Do not allow small children to play on or around washer.
- Do not move washer without reinstalling shipping brace (Part #39365) and shipping plug (Part #38149). See *Moving Washer to New Location* section.

# Moving and Storage

## Cold Storage and Non-Use Periods



### WARNING

Explosive hydrogen gas may be produced in a hot water system that has not been used for two weeks or more. Before using washer, if hot water system has not been used for such a period, turn on all hot water faucets and let water flow for several minutes to release accumulated hydrogen gas. Hydrogen gas is flammable: Do not smoke or use an open flame when flushing water lines.

## Cold Weather Care

If washer is delivered when outside temperature is below freezing or if washer is stored in unheated room or area during cold months, **do not operate until washer has warmed to room temperature. Do not install or operate washer where temperatures will drop below freezing.**

## Cold Weather Storage

If washer must be stored in seasonal home or storage building, use one of the following storage methods.

### METHOD 1

1. Turn off water supply faucets and disconnect hoses. Drain water from both hoses.
2. Add one gallon of non-toxic RV antifreeze (available from hardware or recreational vehicle dealers) to washer tub.
3. Push in cycle selector knob and turn to SPIN.
4. Pull knob out and let washer spin for 1–2 minutes to drain water. Some antifreeze will also be lost. (If you have a septic system, contact antifreeze manufacturer and make sure it will not harm system.)
5. Push in cycle selector knob to stop washer. Dry inner wash tub, disconnect electrical plug, and close washer lid. If moving washer, disconnect drain hose. Move and store washer **ONLY** in upright position. To remove antifreeze after storage, run washer through a complete cycle using ½ cup of detergent. **DO NOT ADD CLOTHES TO CYCLE.**

### METHOD 2

1. Push in cycle selector knob and turn to SPIN. Run through complete spin cycle to remove excess water.
2. When spin cycle is complete, push in cycle selector knob to stop washer.
3. Turn off water supply faucets and disconnect hoses. Drain water from both hoses.
4. Dry inner wash tub, disconnect electrical plug, and close washer lid. If moving washer, disconnect drain hose. Move and store washer **ONLY** in upright position.
5. It is normal for some water to remain inside pump. To prevent damage to washer and pump if remaining water freezes, allow washer to warm to 24 to 48 hours after removing from storage, so water can thaw before use.

## Vacations and Extended Non-Use

**IMPORTANT:** To avoid possible property damage from flooding, turn off water supply to washer during extended periods of non-use.

To prevent mold or mildew, leave lid open so moisture inside machine can evaporate.

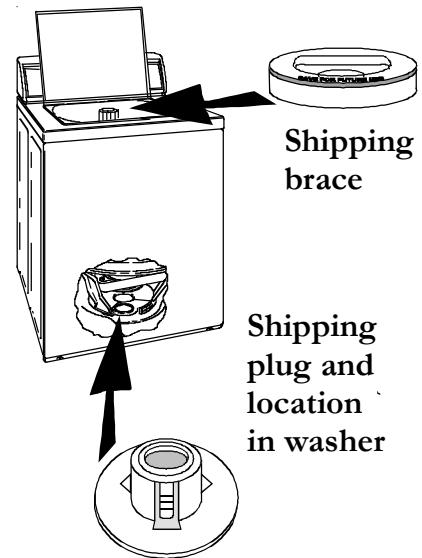
When closing your home for extended periods, have service technician drain washer to avoid stagnant water.

Unplug cord from electrical outlet.

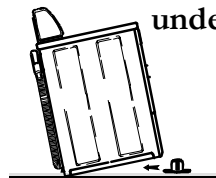
Disconnect hoses from faucets.

## Moving Washer to New Location

Replace shipping plug under motor and shipping brace in tub. Refer to *Installation Instructions* for proper procedures whenever washer is moved. See illustration.



**Tilt washer back slightly and slide shipping plug into position under washer**



# Trouble Shooting

You may save time and money by checking items below before calling for service. List includes common concerns that are not the result of defective workmanship or materials. If your question is not explained below, contact Amana Consumer Affairs Department at **800-843-0304**.

## TOPIC POSSIBLE CAUSE SOLUTION

### NOISE

<b>Gear sounds or a low hum</b>	Normal mechanical sounds in commercial-quality washer	Normal operation.
<b>Rattling and clanking noise</b>	Loose objects, such as coins or pins, in tub or pump	Stop washer and check tub. Remove loose objects. If noise continues after washer is restarted, objects may be in pump: call your authorized servicer.
	Belt buckles, metal fasteners hitting wash tub	Close zippers, buttons, and fasteners. Clothing with buckles must be turned inside out.
<b>Squealing sound or hot rubber odor</b>	Overloaded wash tub	Do not overload washer. Stop washer and reduce size of load.
<b>Thumping sound</b>	Heavy wash loads; unbalanced loads	Usually normal, but unbalanced loads should be redistributed. Stop washer and rearrange load.
<b>Vibrating noise</b>	Washer not resting firmly on floor	Make sure floor is strong enough for washer. Adjust leveling legs so washer rests firmly on floor. See <i>Installation Instructions</i> for leveling details.
	Wash load distributed unevenly in tub	Stop washer and rearrange load.
	Shipping plug not removed during installation	See <i>Installation Instructions</i> for details on removing shipping plug.
<b>Water splashing or slapping noise</b>	Spray rinse	Normal operation. Washer sprays water inside tub while running at high speed during rinse and spin.
<b>Whistling or whirling noise</b>	Drum spinning without clothes	Normal operation. Holes in the tub can cause this sound.

### OPERATION

<b>Washer does not start</b>	Electrical power cord may not be plugged in, or connection may be loose	Make sure plug from power cord fits tightly into wall outlet.
	Fuse blown, circuit breaker tripped, or power outage occurred	Replace fuse or reset circuit breaker. Do NOT increase fuse capacity. Call qualified electrician to correct circuit overload problem. Call local utility company to correct power outage.
	Water supply faucets not turned on	Turn on water supply faucets.
	Timer knob/cycle selector set incorrectly	Move indicator slightly clockwise. Pull out on timer knob.
	Motor overheated	Internal overload protector automatically stops motor in event of overload. Protector resets in approximately 3 minutes and motor automatically restarts. If overload protector stops motor again, quit using washer and call service technician.  Do not overload washer. Largest dry load level should not be higher than bottom of fabric softener dispenser or top of agitator.
<b>Washer won't spin</b>	Lid partially open	Close lid completely.
<b>Residue left in tub</b>	Heavily soiled items	Wipe tub with non-abrasive household cleaner and rinse. Before washing, shake or brush excess dirt and sand from items.

# Trouble Shooting (cont'd)

## TOPIC

## POSSIBLE CAUSE

## SOLUTION

### WATER



<b>Wash load too wet after spin</b>	Overloaded wash tub	Do not overload washer.
	Unbalanced load	Rearrange load to allow proper spin.
	Kinked drain hose	Straighten drain hose.
<b>Water enters slowly or does not enter washer</b>	Inadequate main water supply	Check water pressure at another faucet in house. Wait for water supply and pressure to increase.
	Water supply faucets partly closed	Fully open hot and cold water supply faucets.
	Water being used elsewhere in house	Water pressure must be at least 20 psi (138 kPa). Avoid running water elsewhere when washer is filling.
	Clogged water inlet filters	Disconnect water fill hoses from faucet. Clean and reposition screen filters. Reconnect water fill hoses.
	Kinked water inlet hoses	Straighten hoses.
<b>Water level does not cover clothes</b>	Incorrect water level/load size selection	Select higher water level/load size. Add water by turning selector to RESET and back to larger load size.
	Overloaded wash tub	Do not overload washer. Largest dry load level should not be higher than bottom of fabric softener dispenser or top of agitator.
<b>Warm or hot water not hot enough</b>	Water heater temperature set too low; water heater too far from washer	Use candy/meat thermometer to measure hot water temperature at nearby faucet. Water temperature should be at least 140°F (60°C). Adjust water heater as necessary.
	Hot water being used elsewhere in house	Avoid using hot water elsewhere before or during washer use, or there may not be enough hot water for proper cleaning. If problem continues, enlarge capacity of hot water system, or use for only one application at a time.
<b>Water drains slowly or does not drain</b>	Drain hose kinked or clogged	Clean and straighten drain hose.
<b>Water leaks</b>	Loose fill hose connections	Check and tighten all hose/faucet connections. Install rubber sealing washers provided.
	Clogged drain pipes	Unclog drain pipes. Call plumber if necessary.
	Changed water levels during fill	Always use RESET on water level switch when changing water level. Do not hold switch at RESET; return switch to desired load size.
	Oversudsing	Use less detergent.
<b>Incorrect wash and rinse temperatures</b>	Hot and cold water hoses connected to wrong supply faucets	Check hose connections. Connect hot water hose to hot water faucet; connect cold water hose to cold water faucet.
<b>Water enters washer, but tub does not fill</b>	Incorrect standpipe height for drain hose	Recommended standpipe height is 36" (91.44 cm); for low standpipes, install Siphon Break Kit (part #562P3). See <i>Installation Instructions</i> for details.

# Amana Washer Warranty

## **Full ONE Year Warranty**

For one (1) year from the date of original retail purchase, Amana will repair or replace any part that fails due to a defect in materials or workmanship.

## **Limited Warranty**

After one year from the date of original retail purchase, Amana will provide a free part, as listed below, to replace any part that fails due to a defect in materials or workmanship. The owner will be responsible for paying all other costs including labor, mileage, and transportation.

### **Second through Third Year**

Amana will provide any part.

### **Third through Fifth Year**

Amana will provide the drive motor or timer.

### **Third through Tenth Year**

Amana will provide the transmission assembly and seal kit.

Amana will provide the outer tub assembly.

Amana will provide the cabinet assembly should the part rust through.

Amana will provide the outer wash tub should the part fail to contain water.

### **Lifetime**

Amana will provide the inner wash basket.

## **What is not covered by these warranties**

- Replacement of household fuses, resetting of circuit breakers, or correction to household wiring or plumbing.
- Products with original serial numbers removed, altered, or not readily determined.
- Products purchased for commercial, industrial, rental, or leased use.
- Products located outside of the United States or Canada.
- Premium service charges, if the servicer is requested to perform service in addition to normal service or outside normal service hours or area.
- Adjustments after the first year.
- Damage to clothing.

### **Repairs resulting from the following:**

- Improper installation or maintenance.
- Any modification, alteration, or adjustment not authorized by Amana.
- Accident, misuse, abuse, fire, flood, or acts of nature.
- Connections to improper electrical current, voltage, or supply.

## **To Receive Warranty Service**

Service must be performed by an authorized Amana service representative. To schedule service, contact the Amana dealer where you purchased your appliance or contact Amana Appliances Factory Service.

### **Amana Appliances Factory Service**

1-800-628-5782 inside USA

### **For more information, Amana Appliances Consumer Services**

Amana Appliances

2800 220th Trail

Amana, Iowa 52204

1-800-843-0304 inside USA

(319) 622-5511 worldwide

### **When contacting Amana Appliances please include the following information:**

- Your name, address, and telephone number.
- Model number and serial number of your appliance (found on inside of lid in the bottom right corner).
- The name and address of your dealer and the date of purchase.
- A clear description of the problem.
- Proof of purchase (sales receipt).

### **IN NO EVENT SHALL AMANA BE LIABLE FOR INCIDENTAL OR CONSEQUENTIAL DAMAGES.**

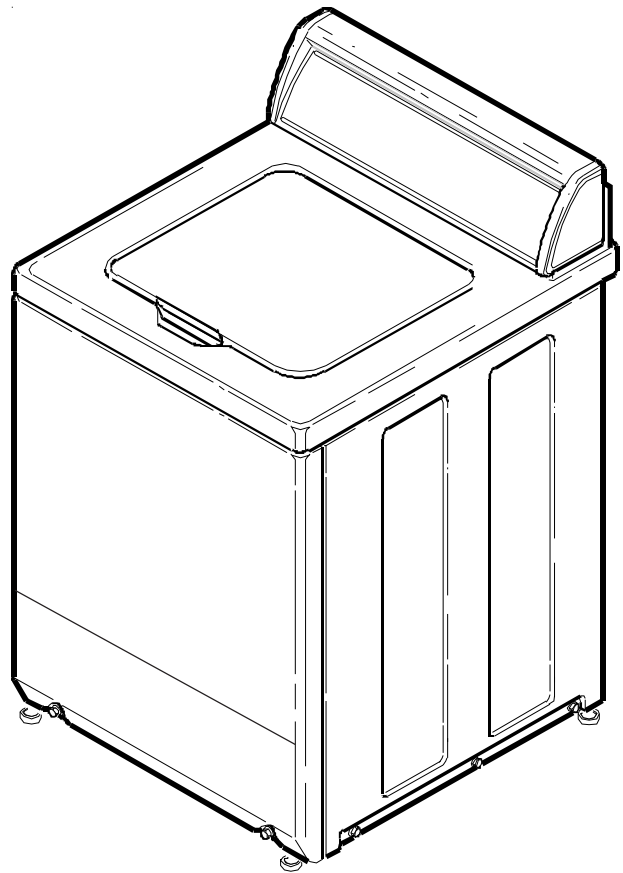
This warranty gives you specific legal rights, and you may have others which vary from state to state. For example, some states do not allow the exclusion or limitation of incidental or consequential damages, so this exclusion may not apply to you.

***Amana Appliances Online • <http://www.amana.com>***



# Appendix C

# Amana



## Owner's Manual Top Loading Washer

Keep instructions for future reference.  
Be sure manual stays with washer.

### Contents

Important Safety Information .....	C-3
Product Registration and Service .....	C-4
Before You Install .....	C-5
Installation Instructions .....	C-7
Helpful Hints and Features .....	C-9
Care and Cleaning .....	C-10
Operating Instructions .....	C-11
Troubleshooting/Before Calling Service .....	C-13
Warranty .....	C-15
Installer Checklist .....	C-17



# Important Safety Information

## Recognize Safety Symbols, Words, Labels



### DANGER

**DANGER**—Immediate hazards which **WILL** result in severe personal injury or death.



### WARNING

**WARNING**—Hazards or unsafe practices which **COULD** result in severe personal injury or death.



### CAUTION

**CAUTION**—Hazards or unsafe practices which **COULD** result in minor personal injury or product or property damage.



### WARNING

To reduce risk of fire, electric shock, serious injury, or death when using your washer, follow these basic precautions:

1. Read all instructions before using washer.
2. Be sure washer is properly grounded.
3. Do not wash articles that have been cleaned in, washed in, soaked in, or spotted with gasoline, dry-cleaning solvents, or other flammable or explosive substances. Vapors could ignite or explode.
4. Do not add gasoline, dry-cleaning solvents, or other flammable or explosive substances to wash water. Vapors could ignite or explode.
5. Do not store or use gasoline or other flammable vapors and liquids near this or any other appliance.
6. Do not allow children to play on or in washer. Close supervision of children is necessary when washer is used near children, a safety rule for all appliances.
7. Before washer is removed from service or discarded, remove door to washing compartment.
8. Do not reach into washer if wash tub is moving.
9. Do not install or store washer where it will be exposed to water and/or weather.
10. Do not tamper with washer controls.
11. Do not repair or replace any part of washer or attempt any service, unless specifically recommended in user-maintenance instructions or in published user-repair instructions that you understand and have skills to carry out.
12. To reduce risk of electric shock or fire, do not use extension cords or adapters to connect washer to electrical power source.

13. Use your washer only for its intended purpose: non-commercial clothes washing.
14. Always disconnect washer from electrical supply before attempting any service. Disconnect power cord by grasping the plug, not the cord.
15. Install washer according to Installation Instructions. All connections for water, drain, electrical power, and grounding must comply with local codes and be made by licensed personnel when required.
16. To reduce risk of fire, do not use washer to launder clothes which have traces of any flammable substance, such as vegetable oil, cooking oil, machine oil, flammable chemicals, thinner, etc., or anything containing wax or chemicals, such as mops and cleaning cloths. Flammable substances may cause fabric to catch fire by itself.
17. Use only fabric softeners or products to eliminate static that are appropriate for automatic washers.
18. Keep your washer in good condition. Bumping or dropping washer can damage safety features. If damage occurs, have washer checked by qualified service technician.
19. Replace worn power cords and/or loose plugs.
20. Loading door must be closed whenever washer is filling, agitating, or spinning. Do not bypass loading door switch by permitting washer to operate with loading door open.
21. Always read and follow manufacturer's instructions on packages of laundry and cleaning aids. Heed all warnings or precautions. To reduce risk of poisoning or chemical burns, keep products away from children at all times, preferably, in a locked cabinet.
22. Never operate washer with guards and/or panels removed.
23. Do not operate washer with missing or broken parts.
24. Do not bypass safety devices.
25. Failure to install, maintain, and/or operate washer according to manufacturer's instructions may result in conditions which can produce bodily injury and/or property damage.

**NOTE:** Warning and Important Safety Instructions appearing in this manual are not meant to cover all possible conditions and situations that may occur. Common sense, caution, and care must be exercised when installing, maintaining, or operating washer.

Always contact your dealer, distributor, service agent, or manufacturer about problems or conditions you do not understand.

### Thank you for buying an Amana washer!

Please take the time to complete the registration card and return promptly. If registration card is missing, call Amana Consumer Affairs Department. When contacting Amana, provide product information from serial plate found on lower right hand corner of inner lid:

Model Number \_\_\_\_\_  
Manufacturing (P) Number \_\_\_\_\_  
Serial Number (S/N) \_\_\_\_\_  
Purchase Date \_\_\_\_\_  
Dealer Name \_\_\_\_\_  
Dealer Address \_\_\_\_\_  
Dealer Phone \_\_\_\_\_

**Keep this manual and your sales receipt together in a safe place** for future reference or if warranty service is required.

For answers to questions or to locate an authorized servicer, call 1-800-NAT-LSVC (1-800-628-5782) inside USA or 319-622-5511 outside USA. Warranty service must be performed by an authorized servicer. Amana Appliances also recommends contacting an authorized servicer if service is required after warranty expires.

### Asure™ Extended Service Plan

Amana Appliances offers long-term service protection for this new washer. Asure™ Extended Service Plan, covering functional parts, labor, and travel charges, is specially designed to supplement a strong warranty. Call 1-800-528-2682 for information.

### Parts and Accessories

Purchase replacement parts and additional accessories by phone. To order accessories for your Amana product, call 1-800-843-0304 inside USA or 319-622-5511 outside USA.

### Save Time and Money

If something seems unusual, please check "Before Calling Service" on pages 12 and 13, which is designed to help you solve problems before calling service. If you have a question, write us (include model number and phone number) at Consumer Affairs Department, Amana Appliances, 2800 - 220th Trail, Amana, Iowa 52204-0001.

For more information on this and other Amana products, visit our Web site

**www.amana.com**

or

call Consumer Affairs Department at

**1-800-843-0304**

Monday – Friday 8:00 a.m. – 4:30 p.m. Central Time

## SAVE THESE INSTRUCTIONS

## Before You Install

### Electrical Requirements

Washer requires 120 volt, 15 amp, 60Hz power supply and 3-prong grounding plug. Refer to serial plate for specific requirements. Wiring diagram is located in control hood.

#### **WARNING**

To avoid risk of personal injury or death due to electrical shock:

- **Observe all local codes and ordinances.**
- Disconnect electrical power to unit before servicing.
- Ground appliance properly.
- Check with a qualified electrician if you are not sure this appliance is properly grounded.
- DO NOT ground to gas line.
- DO NOT ground to cold water pipe if pipe is interrupted by plastic, non-metallic gaskets, or other insulating (non-conducting) materials.
- DO NOT modify plug on power cord. If plug does not fit electrical outlet, have proper outlet installed by qualified electrician.
- DO NOT have a fuse in the neutral or ground circuit. A fuse in the neutral or ground circuit could result in an electrical shock.
- DO NOT use an extension cord with this appliance.
- DO NOT use an adapter plug with this appliance.
- DO NOT pinch power cord.

### Grounding Instructions

For safety, washer must be grounded. All washer power supply cords are equipped with 3-prong grounding plug. Plug on cord must be plugged into appropriate outlet that is properly installed and grounded in accordance with all local codes and ordinances. Do not modify plug on washer cord. If plug will not fit outlet, have qualified electrician install proper outlet.

Do not remove warning tag from power cord.

#### **WARNING**

To avoid risk of personal injury or death due to electrical shock:

- Grounding wires and wires colored like grounding wires are **NOT** to be used as current carrying conductors.
- Standard accepted color coding for ground wires is **green** or **green with a yellow stripe**.

### Motor Overload Protector

Internal overload protector automatically stops motor in event of overload. Overload protector resets in approximately 3 minutes and motor automatically restarts. If overload protector stops motor again, quit using washer and call service technician.

Loading wash tub too full may result in motor overload. See *Washing Guide* for proper load size information.

### Water Supply Requirements

#### **WARNING**

Explosive hydrogen gas may be produced in a hot water system that has not been used for two weeks or more. Before using washer, if hot water system has not been used for such a period, turn on all hot water faucets and let water flow for several minutes to release accumulated hydrogen gas. Hydrogen gas is flammable: do not smoke or use an open flame when flushing water lines.

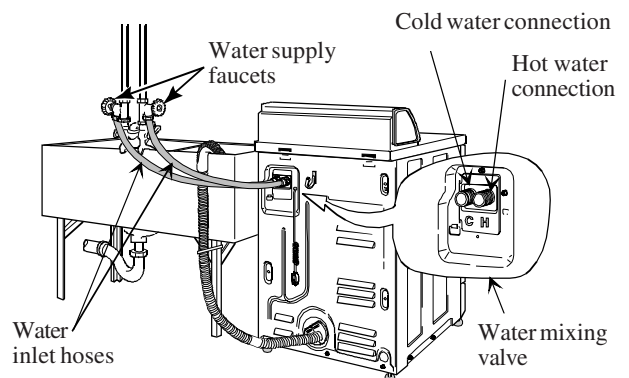
Water supply faucets must fit standard  $\frac{3}{4}$ " (19.05 mm) female garden hose couplings. **Do not use slip-on or clamp-on connections.**

**NOTE:** Water supply faucets should be easily accessible and turned off after extended use.

Optional longer inlet hoses are available at extra cost, if hoses supplied with washer are not long enough for installation. Order hoses as follows:

No. 20617 Inlet Hose, 8 feet (2.44 m)

No. 20618 Inlet Hose, 10 feet (3.05 m)



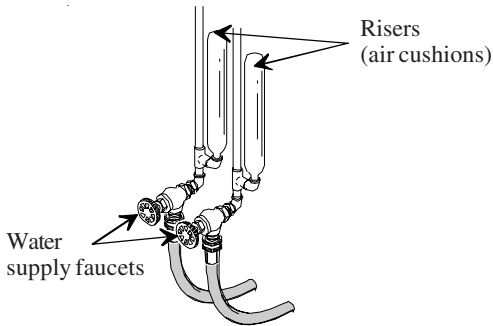
### Water Pressure

Static pressure measured at faucet must be 20–120 pounds per square inch (138 to 827 kPa). Water pressure under 20 pounds per square inch (138 kPa) results in extended washer fill time.

# Before You Install

## Risers

Risers or air cushions may be installed if pipes knock or pound when flow of water stops. Risers are more efficient when installed as close as possible to water supply faucets.



## Drain

Drain receptacle must be able to handle hose with at least 1¼" (32cm) outside diameter. End of drain hose must be 36" (91.44 cm) above floor, or water may run out of washer before end of cycle.

## Low Standpipe Installation

For standpipe installation below 36" (91.44 cm), install Siphon Break Kit (part #562P3).

## Location

*Install washer on a solid floor.*

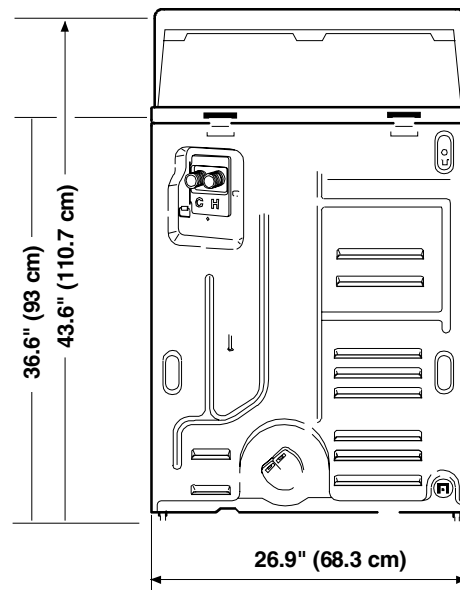
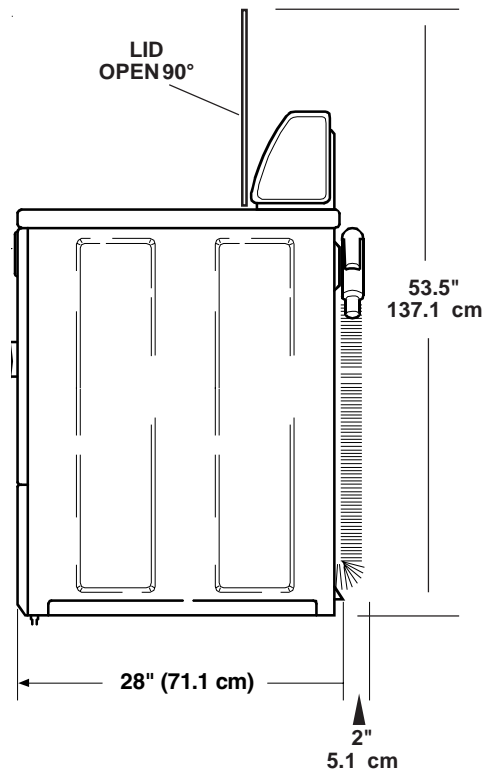
Wood floor constructions may sometimes need to be reinforced to minimize vibration from unbalanced loads. Carpet and soft tile surfaces also contribute to vibration and/or tendency for washer to move slightly during spin cycle.

**Never install washer on a platform or weak support structure.**

DO NOT install washer on carpeted floor.

Use dimensions shown at right to determine space needed for easy installation and servicing.

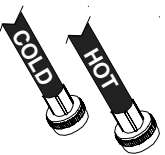
## Washer Dimensions



## Parts Supplied



2 flat rubber washers



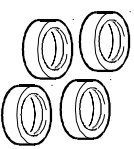
2 water fill hoses



2 screened hose filters



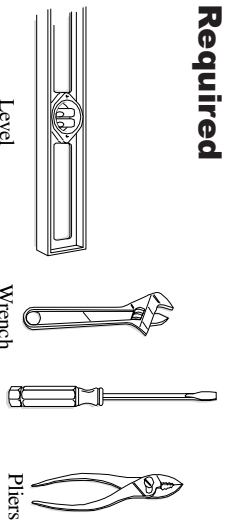
beaded tie-down strap



4 rubber leveling foot pads

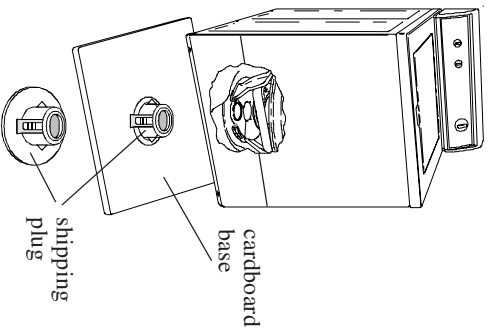
## Tools Required

Screwdriver



## STEP 1 Move washer to final area

Remove shipping plug and save for reuse



## 1 MOVE WASHER TO FINAL AREA; REMOVE SHIPPING PLUG

Washer must be within 4 feet of desired area before beginning installation. Open washer lid to remove styrofoam shipping brace from agitator. Remove installation parts from shipping brace for use.

**NOTE: Save shipping plug; reinstall whenever washer is moved more than 4 feet.** Do not lift or move washer without shipping materials in place.

When removing cardboard base panel under washer, plastic shipping plug is released from washer. Remove plug from cardboard base and save for reuse when moving washer.

## 2 CONNECT WATER FILL HOSES TO WASHER

Tightly push one flat rubber washer into one end of each water fill hose and attach this end of hose to washer. HOT and COLD connections are identified by letters H and C stamped into washer cabinet and by HOT and COLD printed on water fill hoses.

Tighten hose connections by hand until snug, then another ¼ turn with pliers. DO NOT cross-thread or over-tighten couplings.

## 3 CONNECT WATER FILL HOSES TO FAUCETS

Before connecting hoses to water supply, turn on faucets and flush lines for approximately 2 minutes to remove foreign matter that could clog filter screens in water mixing valve or fill hoses.

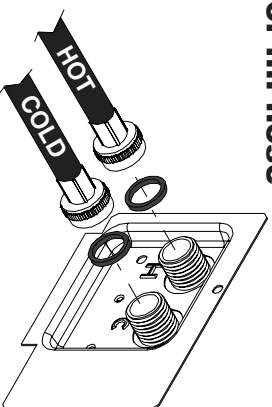
Tightly push one screened filter washer onto remaining end of each water fill hose. Attach water hoses to HOT and COLD faucets. **BE SURE HOT WATER HOSE IS CONNECTED TO HOT WATER FAUCET.**

Tighten hose connections by hand until snug, then another ¼ turn with pliers. DO NOT cross-thread or over-tighten couplings. Turn on water and check for leaks. If leaks are found, retighten hose couplings. Continue tightening and rechecking until no leaks are found.

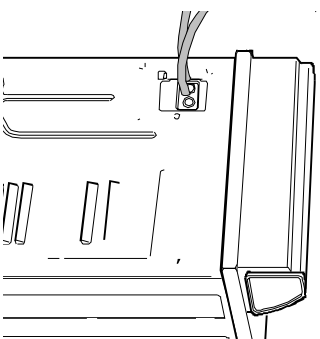
## 4 SECURE DRAIN HOSE TO DRAIN

Remove drain hose from shipping position on rear of washer by unhooking hose from retainer clamp. Use beaded tie-down strap to secure "hook" end of drain hose to standpipe, wall inlet hoses, or laundry tub (must hold at least 20 gallons).

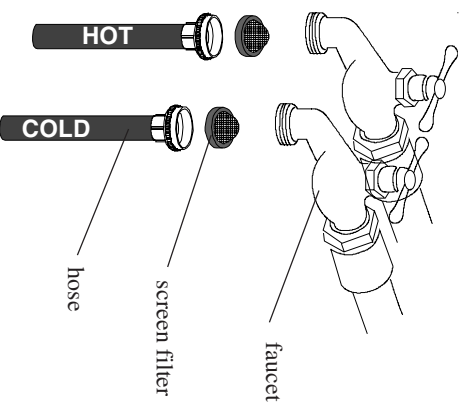
## STEP 2 Push rubber washer into end of fill hose



## Connect water fill hoses to washer



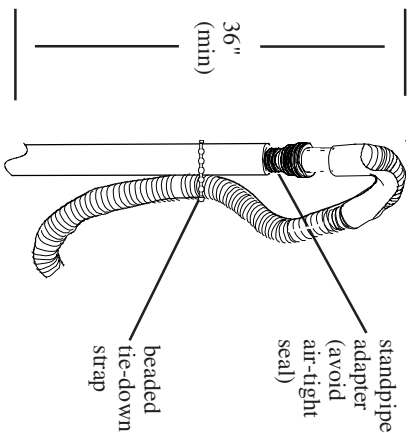
## STEP 3 Connect water fill hoses to faucets



## Installation Instructions

## STEP 4

### Connect drain hose to drain



**IMPORTANT:** To prevent siphoning, do not place ribbed portion of drain hose into standpipe. Avoid air-tight seal around standpipe adapter.

## 5 POSITION AND LEVEL WASHER

Position washer on clean, dry, firm, and level floor. Place rubber foot pads on all four leveling legs.

**NOTE:** To avoid damage to legs and base, do not slide washer across floor if leveling legs have been extended.

Loosen  $7/8$ " locknuts and adjust front 2 leveling legs until machine is level front-to-back and side-to-side. Be sure machine does not rock. Tighten locknuts up to washer base, or washer will move out of position during operation.

Once front legs are adjusted, gently tilt washer forward on front legs and lower into place to correctly set rear self-leveling legs. **WASHER MUST NOT ROCK.**

## 6 CONNECT POWER CORD TO ELECTRICITY

See *Electrical Requirements* on page 4. Plug washer into 3-prong grounded outlet.

## 7 BEFORE FIRST USE TO WASH CLOTHES, add water and detergent to washtub.

Run through one wash cycle.

To prevent damage to pump, add at least 1 quart of water to tub before first use. Pump seal may overheat and leak if washer is used before water is added. Small amount of water from first use stays in drain system to cool pump and prevent seal damage.

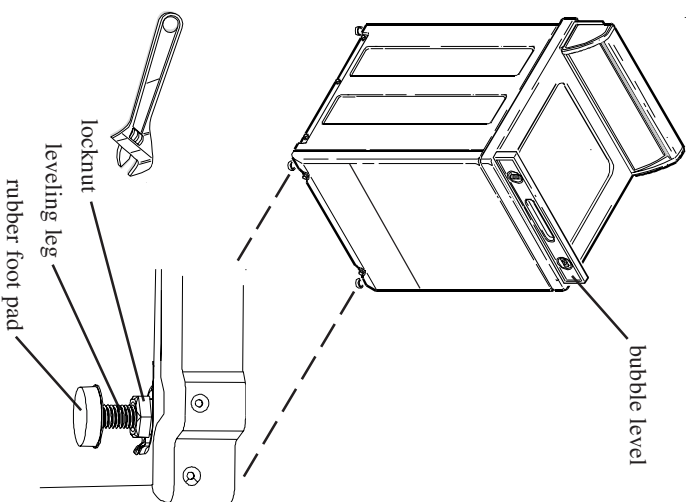
## Questions?

See *Washing Guide* or call Amana Consumer Affairs Department

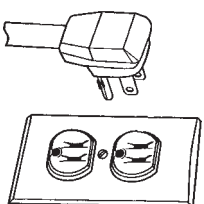
**1-800-843-0304**

## STEP 5

### Position and level washer



## STEP 6 Connect power cord to electricity

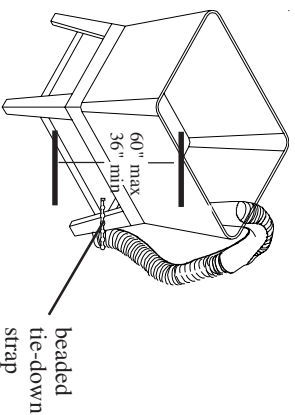


## STEP 7

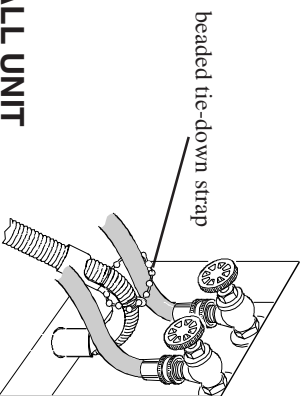
Before first use to wash clothes, add water and detergent to tub

Run through one wash cycle

## TUB

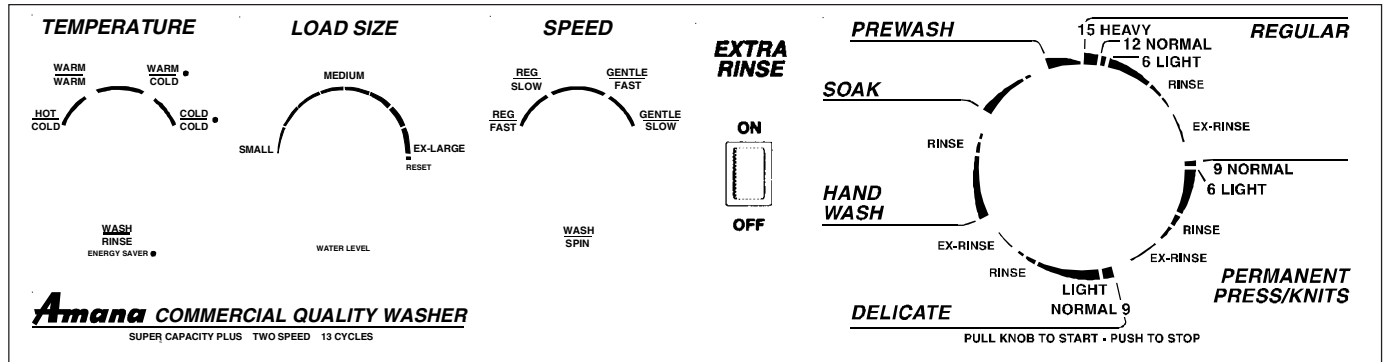


## WALL UNIT



# Operating Instructions

## Washer Control Panel



Recheck installation procedures before operating washer.

### To Wash Clothes

Clean clothes are the result of proper load preparation, water temperature selection, detergent, and amount of water in wash cycle. See *Washing Guide* in literature packet for additional wash preparation instructions.

#### 1. Prepare clothes for washing

For best wash results:

- Remove items from pockets and cuffs
- Close zippers and fasteners; mend rips and tears
- Sort items into separate loads
- Pre-treat stains and heavily soiled areas

#### 2. Select LOAD SIZE / WATER LEVEL

Variable control allows you to select the most appropriate setting for each wash load. Use Water Level chart below to determine setting. See *Washing Guide* for more details.

**IMPORTANT:** Do not hold knob at RESET for extended periods or washer flooding may result.

LOAD SIZE	WATER LEVEL
Ex-Large	3/4 – Full
Medium	1/2 – 3/4 Full
Small	1/2 Full

#### 3. Select WASH/RINSE temperature

Always follow garment manufacturer's care labels for each fabric. See chart below.

WASH / RINSE	TYPE OF CLOTHING
Hot/Cold	Sturdy whites and colorfast items Work clothes Soiled items Diapers
Warm/Warm	Delicate or colorfast items
Warm/Cold •	Moderately soiled permanent press Silks, woolens, nylon, acrylic Rinsing of some items
Cold/Cold •	Non-colorfast items Extra-delicate clothing Rinsing of most items

**NOTE:** Energy Saver settings, marked with a dot (•), show temperature settings that use the least energy.

#### 4. Select WASH/SPIN speed

Select wash/spin speed most appropriate to type of fabric in wash load. See chart below.

# Operating Instructions

WASH/SPIN SPEED	LOAD TYPE
Regular/Fast	Sturdy fabrics needing maximum water extraction
Regular/Slow	Sturdy fabrics needing slower spin speed to reduce wrinkling
Gentle/Fast	Heavy loads of delicate fabrics needing fast spin for better water extraction
Gentle/Slow	Delicate fabrics needing slower spin to protect fabric and clothing

## 5. Select wash cycle and time

Push timer knob in and turn to desired cycle and wash time. Wash cycle and time selection depends upon type of fabric and amount of soil. For best results when cleaning heavily soiled items, use longer wash time, up to 15 minute maximum. Lightly soiled items require less wash time.

### Prewash

Use to wash heavily soiled clothes twice with detergent in each cycle. To deliver extra detergent:

- LIQUID DETERGENT: place in fabric softener dispenser for use in second wash.  
*DO NOT use dispenser for fabric softener.*
- POWDER DETERGENT: place extra detergent in tub for use in first wash; recommend approximately 1½ times normal amount.

### Regular

Use for sturdy items, like play or work clothes, towels, T-shirts, etc. Number next to cycle setting shows total wash time, including periods of agitation and periods of soaking:

SOIL	WASH/AGITATION TIME
Heavy	15 minutes
Normal	12 minutes
Light	6 minutes

### Permanent Press/Knits

Use for permanent press items and synthetics.

### Delicate

Use to pretreat delicate items often washed by hand. Even with small loads, full tub of water is recommended for more complete cleaning, so items can move freely. More water also helps reduce fabric wear

and wrinkling. To protect delicate fabrics, washer speed automatically runs at Gentle/Slow, regardless of position of speed selector switch.

### Soak

Use for heavily soiled or stained items. Washtub fills with water, pauses approximately 12 minutes for soaking, and spins water out to complete cycle.

### Hand Wash

Use for fine fabrics normally washed by hand. To protect fragile fabrics, washer speed automatically runs at Gentle/Slow, regardless of position of speed selector switch.

## 6. Select EXTRA RINSE, if desired

Useful for people with detergent sensitive skin. Provides second rinse to more completely remove laundry additives, suds, and perfumes in REGULAR, PERMANENT PRESS/KNITS, and DELICATE cycles. To select, set switch to ON. When not wanted, set switch to OFF. Extra Rinse adds between 10 and 15 minutes to total cycle time.

## 7. Pull OUT timer knob to start

Water fill begins, and wash tub starts agitation. Stop washer by pushing knob in.

## 8. Measure and add detergent to washtub

Use only detergent recommended for top-loading washers. See *Washing Guide* for information on water hardness and detergent.

## 9. Add clothing to water in washtub

- Clothes should fill wash tub but should not be packed. Loosely fill tub with clothes no higher than top of agitator vanes. For best results, items must move freely through wash/rinse water.
- Bulky fabrics may need more water added after agitation begins. Turn Load Size control to RESET and back to desired setting.

## 10. Close washer lid

Washer will not operate when lid is open.



## Helpful Hints and Features

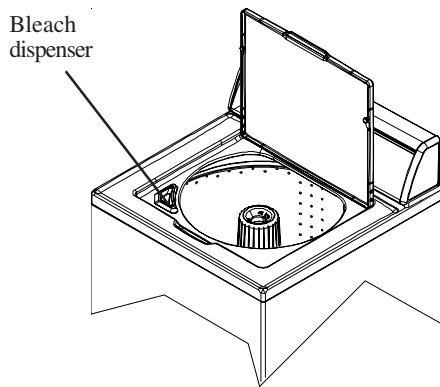
Following are general suggestions for using your top-load washer. See Amana's *Washing Guide* for detailed information about preparing your wash loads, effect of water hardness, water temperature settings, load sizes, laundry aids, special care items, and stain removal.

### Pauses

Wash action consists of periods of agitation, with pauses or periods of soaking. Do not turn timer through pauses, which are normal part of wash cycles.

### Bleach Dispenser

Bleach dispenser is located in left front corner under loading door.



Use only liquid bleach in dispenser. To use powdered bleach, add to wash tub with detergent.

Carefully pour recommended amount of bleach into dispenser during first washer fill, as indicated below:

LOAD SIZE	BLEACH (Max Amt)
Large	1 cup
Medium	3/4 cup
Small	1/2 cup

Be careful not to spill undiluted bleach. It is a strong chemical and can damage cabinet finishes and some fabrics if not properly diluted. Follow bleach manufacturer's label for proper use.

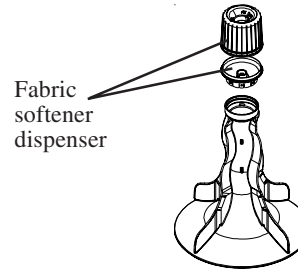
### Resetting Timer

Although wash cycles are automatic, timer may be reset to lengthen, shorten, or repeat a portion of a cycle.

To set or reset timer, push in timer knob to stop washer. Hold in timer knob firmly while slowly turning it to desired setting. Pull out timer knob to start washer.

### Fabric Softener Dispenser

Fabric softener dispenser is located on top of agitator. Dispenser automatically releases liquid fabric softener at proper time during rinse cycle.



To use dispenser, follow these steps:

1. Pour liquid fabric softener into dispenser using amount recommended on package.
2. Add water up to fill level, but do not exceed tip of fill arrow indicator. **FABRIC SOFTENER MUST BE DILUTED FOR USE.**
  - Do not stop washer during first spin or dispenser will empty too soon.
  - Never pour fabric softener directly onto clothes or spots and stains may result. To remove softener stains, soak in soapy solution of Sard™ Wonder Soap or Ivory™ soap, or rub stain with bar of Sard™ and wash garment as usual.
  - For best softener performance, set water level to medium or higher.
3. **Clean softener dispenser after each use.** Remove dispenser housing from agitator by squeezing lower part of dispenser and pulling up on housing while tilting slightly to expose dispenser cup. Rinse dispenser housing and cup in hot soapy water.

Clean funnel shape in top of agitator and inside of agitator. Use small brush on hole and slots in two funnel rings for thorough cleaning.

After cleaning, re-install dispenser cup. Push dispenser housing directly down onto top of agitator until firmly snapped together.

To prevent build-up, fill dispenser with clean water in wash cycles when not using softener.

### Fabric Softener Use Tips

- Liquid fabric softeners are dispensed during final rinse. Do not combine with bleach, bluing, starch, detergents, soaps, or packaged water conditioners during rinse.
- Do not use fabric softener in dispenser during Prewash cycle.
- Do not mix powdered detergent with liquid softener in dispenser or softener will become gummy.

## Care and Cleaning

### Automatic Balance System

Your new washer will automatically adjust to unbalanced loads without shutting down or interrupting the cycle. The cycle will automatically complete at the fastest spin speed possible.

In a severe out-of-balance condition, clothes may contain excessive moisture. If this should happen, simply redistribute the clothes, and reset the control to the spin mark after the rinse setting in the regular cycle.

### Safety Spin

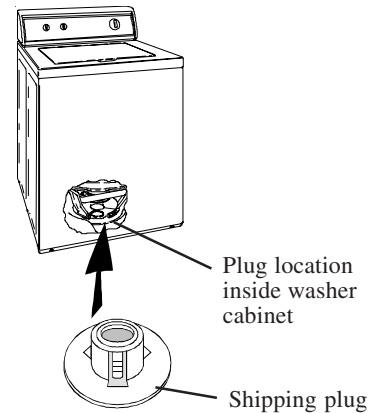
The washer will not spin when the lid is open for any reason. This is for your personal safety. If the lid is opened mid-cycle, operation will automatically start when lid is closed.

### General Washer Care

- Use only damp or sudsy cloth for cleaning control panel. Some cleaning product sprays may harm control panel finish or may damage interior of hood.
- Wipe washer cabinet as needed. If detergent, bleach, or other washing products are spilled on cabinet, wipe immediately. Some products will cause permanent damage if spilled on cabinet.
- Top of washer should not be used for removing garment stains. Some stain removers, such as rust remover, may damage cabinet finish.
- Do not use scouring pads or abrasive cleansers.
- Do not lay sharp or rough objects on or against washer. Finish could be damaged.
- Remove pins, buckles, or other sharp objects from clothes to prevent scratching interior parts.
- Leave lid open after use to allow inside of washer to dry, and to help prevent musty odors from developing.
- Do not allow small children to play on or around washer.
- **Do not move washer without reinstalling shipping brace (Part #38039) and shipping plug (Part #38149).** See instructions below for reinstallation procedures.

### Moving Washer to New Location

Replace shipping plug under motor. See illustration.



Refer to *Installation Instructions* for proper procedures whenever washer is moved.

## Before Calling Service

You may save time and money by checking items below before calling for service. List includes common concerns that are not the result of defective workmanship or materials. If your question is not explained below, contact Amana Consumer Affairs Department at **800-843-0304**.

TOPIC	POSSIBLE CAUSE	SOLUTION
<b>NOISE</b>		
<b>“Clunking” or gear sounds</b>	Normal mechanical sounds in commercial-quality washer	Normal operation.
<b>Rattling and clanking noise</b>	Loose objects, such as coins or pins, in tub or pump	Stop washer and check tub. Remove loose objects. If noise continues after washer is restarted, objects may be in pump: call your authorized servicer.
	Belt buckles, metal fasteners hitting wash tub	Close zippers, buttons, and fasteners. Clothing with buckles must be turned inside out.
<b>Squealing sound or hot rubber odor</b>	Overloaded wash tub	Do not overload washer. Stop washer and reduce size of load. See <i>Washing Guide</i> for proper load level information.
<b>Thumping sound</b>	Heavy wash loads; unbalanced loads	Usually normal, but unbalanced loads should be redistributed. Stop washer and rearrange load.
<b>Vibrating noise</b>	Washer not resting firmly on floor	Make sure floor is strong enough for washer. Adjust leveling legs so washer rests firmly on floor. See <i>Installation Instructions</i> for leveling details.
	Wash load distributed unevenly in tub	Stop washer and rearrange load.
	Shipping plug not removed during installation	See <i>Installation Instructions</i> for details on removing shipping plug.
<b>Spray/whistling noise</b>	Spray rinse	Normal operation. Washer sprays water inside tub while running at high speed during rinse and spin.
<b>OPERATION</b>		
<b>Washer does not start</b>	Electrical power cord may not be plugged in, or connection may be loose	Make sure plug from power cord fits tightly into wall outlet.
	Fuse blown, circuit breaker tripped, or power outage occurred	Replace fuse or reset circuit breaker. Do NOT increase fuse capacity. Call qualified electrician to correct circuit overload problem. Call local utility company to correct power outage.
	Water supply faucets not turned on	Turn on water supply faucets.
	Timer knob/cycle selector set incorrectly	Move indicator slightly clockwise. Pull out on timer knob.
	Motor overheated	Internal overload protector automatically stops motor in event of overload. Protector resets in approximately 3 minutes and motor automatically restarts. If overload protector stops motor again, quit using washer and call service technician.  Do not overload washer. Largest dry load level should not be higher than bottom of fabric softener dispenser or top of agitator.
<b>Washer won't spin</b>	Lid partially open	Close lid completely.
<b>Residue left in tub</b>	Heavily soiled items	Wipe tub with non-abrasive household cleaner and rinse. Before washing, shake or brush excess dirt and sand from items.

TOPIC	POSSIBLE CAUSE	SOLUTION
<b>WATER</b>		
<b>Wash load too wet after spin</b>	Overloaded wash tub	Do not overload washer. See <i>Washing Guide</i> for details.
	Unbalanced load	Rearrange load to allow proper spin.
	Kinked drain hose	Straighten drain hose.
<b>Water enters slowly or does not enter washer</b>	Inadequate main water supply	Check water pressure at another faucet in house. Wait for water supply and pressure to increase.
	Water supply faucets partly closed	Fully open hot and cold water supply faucets.
	Water being used elsewhere in house	Water pressure must be at least 20 psi (138 kPa). Avoid running water elsewhere when washer is filling.
	Clogged water inlet filters	Disconnect water fill hoses from faucet. Clean and reposition screen filters. Reconnect water fill hoses.
	Kinked water inlet hoses	Straighten hoses.
<b>Water level does not cover clothes</b>	Incorrect water level/load size selection	Select higher water level/load size. Add water by turning selector to RESET and back to larger load size.
	Overloaded wash tub	Do not overload washer. Largest dry load level should not be higher than bottom of fabric softener dispenser or top of agitator.
<b>Warm or hot water not hot enough</b>	Water heater temperature set too low; water heater too far from washer	Use candy/meat thermometer to measure hot water temperature at nearby faucet. Water temperature should be at least 140°F (60°C). Adjust water heater as necessary.
	Hot water being used elsewhere in house	Avoid using hot water elsewhere before or during washer use, or there may not be enough hot water for proper cleaning. If problem continues, enlarge capacity of hot water system, or use for only one application at a time.
<b>Water drains slowly or does not drain</b>	Drain hose kinked or clogged	Clean and straighten drain hose.
<b>Water leaks</b>	Loose fill hose connections	Check and tighten all hose/faucet connections. Install rubber sealing washers provided.
	Clogged drain pipes	Unclog drain pipes. Call plumber if necessary.
	Changed water levels during fill	Always use RESET on water level switch when changing water level. Do not hold switch at RESET; return switch to desired load size.
	Oversudsing	Use less detergent.
<b>Incorrect wash and rinse temperatures</b>	Hot and cold water hoses connected to wrong supply faucets	Check hose connections. Connect hot water hose to hot water faucet; connect cold water hose to cold water faucet.
<b>Water enters washer, but tub does not fill</b>	Incorrect standpipe height for drain hose	Recommended standpipe height is 36" (91.44 cm); for low standpipes, install Siphon Break Kit (part #562P3). See <i>Installation Instructions</i> for details.

## Cold Storage and Non-Use Periods

### Cold Weather Care

If washer is delivered when outside temperature is below freezing, or if washer is stored in unheated room or area during cold months, **do not operate until washer has warmed to room temperature. Do not install or operate washer where temperatures will drop below freezing.**

### Cold Weather Storage

If washer must be stored in seasonal home or storage building, use one of the following storage methods.

#### METHOD 1

1. Turn off water supply faucets and disconnect hoses. Drain water from both hoses.
2. Add one gallon of non-toxic RV antifreeze (available from hardware or recreational vehicle dealers) to washer tub.
3. Push in cycle selector knob and turn to SPIN.
4. Pull knob out and let washer spin for 1–2 minutes to drain water. Some antifreeze will also be lost. (If you have a septic system, contact antifreeze manufacturer and make sure it will not harm system.)
5. Push in cycle selector knob to stop washer. Dry inner wash tub, disconnect electrical plug, and close washer lid. If moving washer, disconnect drain hose. Move and store washer **ONLY** in upright position.

To remove antifreeze after storage, run washer through a complete cycle using ½ cup of detergent. **DO NOT ADD CLOTHES TO CYCLE.**

#### METHOD 2

1. Push in cycle selector knob and turn to SPIN. Run through complete spin cycle to remove excess water.
2. When spin cycle is complete, push in cycle selector knob to stop washer.
3. Turn off water supply faucets and disconnect hoses. Drain water from both hoses.
4. Dry inner wash tub, disconnect electrical plug, and close washer lid. If moving washer, disconnect drain hose. Move and store washer **ONLY** in upright position.
5. It is normal for some water to remain inside pump. To prevent damage to washer and pump if remaining water freezes, allow washer to warm to 24 to 48 hours after removing from storage, so water can thaw before use.

### Vacations and Extended Non-Use

**IMPORTANT:** To avoid possible property damage from flooding, turn off water supply to washer during extended periods of non-use.

To prevent mold or mildew, leave lid open so moisture inside machine can evaporate.

When closing your home for extended periods, have service technician drain washer to avoid stagnant water. Unplug cord from electrical outlet. Disconnect hoses from faucets.

**Home Laundry Automatic Washer Product  
Full Two Year Warranty  
Five Year Full Warranty on Transmission  
Limited Five Year Warranty on Cabinet  
Limited Ten Year Warranty on Transmission  
Limited Twenty Year Warranty on Stainless Steel Inner Wash Tub**

**Warranty Provides For:**

FIRST TWO YEARS Amana Appliances will repair or replace any defective part free of charge.

THIRD THROUGH FIFTH YEARS Amana Appliances will replace any defective transmission assembly free of charge.

THIRD THROUGH FIFTH YEARS Amana Appliances will provide a free replacement part only, f.o.b. Amana, Iowa for any cabinet which proves defective from rust.

SIXTH THROUGH TENTH YEARS Amana Appliances will provide a free replacement part only, f.o.b. Amana, Iowa, for any defective transmission assembly.

THIRD THROUGH TWENTIETH YEAR Amana Appliances will provide a free replacement part only, f.o.b. Amana, Iowa for any defective stainless steel inner wash tub.

**WARRANTY LIMITATIONS**

- Warranty begins at date of original purchase.
- Applies only to product used within the United States or in Canada.
- Products used on a commercial, rental, or leased basis are not covered by this warranty.
- Service must be performed by an authorized Amana service.
- Adjustments covered during the first year only.

**WARRANTY IS VOID IF:**

- Serial plate is defaced
- Product has defect or damage due to product alteration, connection to an improper electrical supply, shipping and handling, accident, fire, floods, lightning or other conditions beyond the control of Amana.
- Product is improperly installed or applied.

**Owner's Responsibilities**

- Provide proof of purchase (sales receipt).
- Normal care and maintenance
- Having the product reasonably accessible for service.
- Pay for service calls related to product installation or usage instructions.
- Pay for premium service costs, over normal service charges, if servicer is requested to perform service outside servicer's normal business hours.

**IN NO EVENT SHALL AMANA BE LIABLE FOR INCIDENTAL OR CONSEQUENTIAL DAMAGES\***

\*This warranty gives you specific legal rights, and you may have others which vary from state to state. For example, some states do not allow the exclusion or limitation of incidental or consequential damages, so this exclusion may not apply to you.

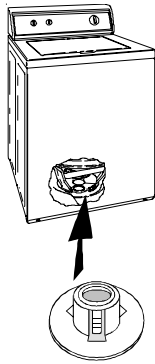
For warranty service, contact an authorized Amana servicer. Should you have a service problem that is not resolved locally,

Write: Amana Appliances  
2800 - 220th Trail  
Amana, IA 52204-0001  
Or phone in USA: 1-800-843-0304  
If outside USA, call: 319-622-5511

# Fast Track for Installing Washer

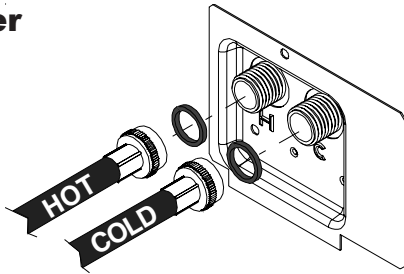
See manual for details

- 1** Move washer to final installation area  
Remove shipping brace and shipping plug

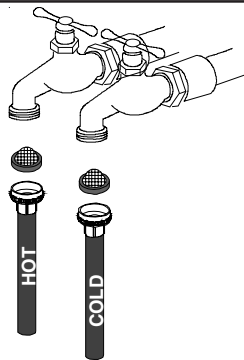


- 2** Push rubber washer into end of fill hose  
Connect water fill hoses to washer

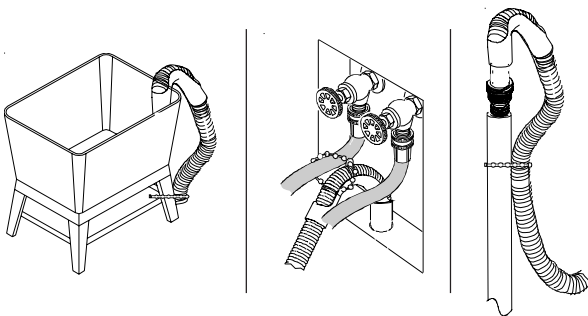
Connect water fill hoses to washer



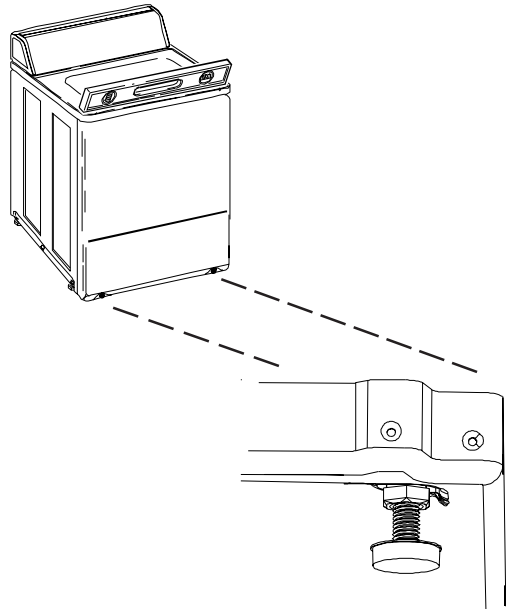
- 3** Connect water fill hoses to faucets



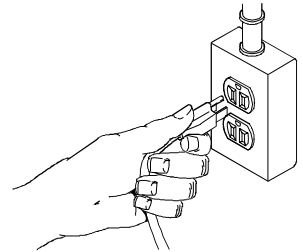
- 4** Secure drain hose to drain



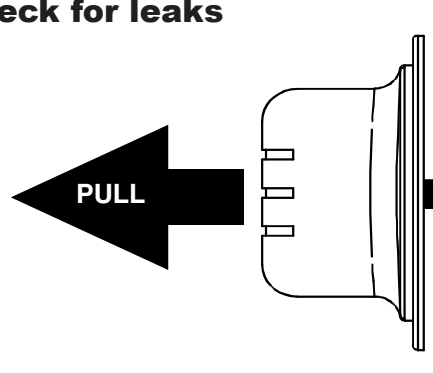
- 5** Position and level washer



- 6** Connect power cord to electricity



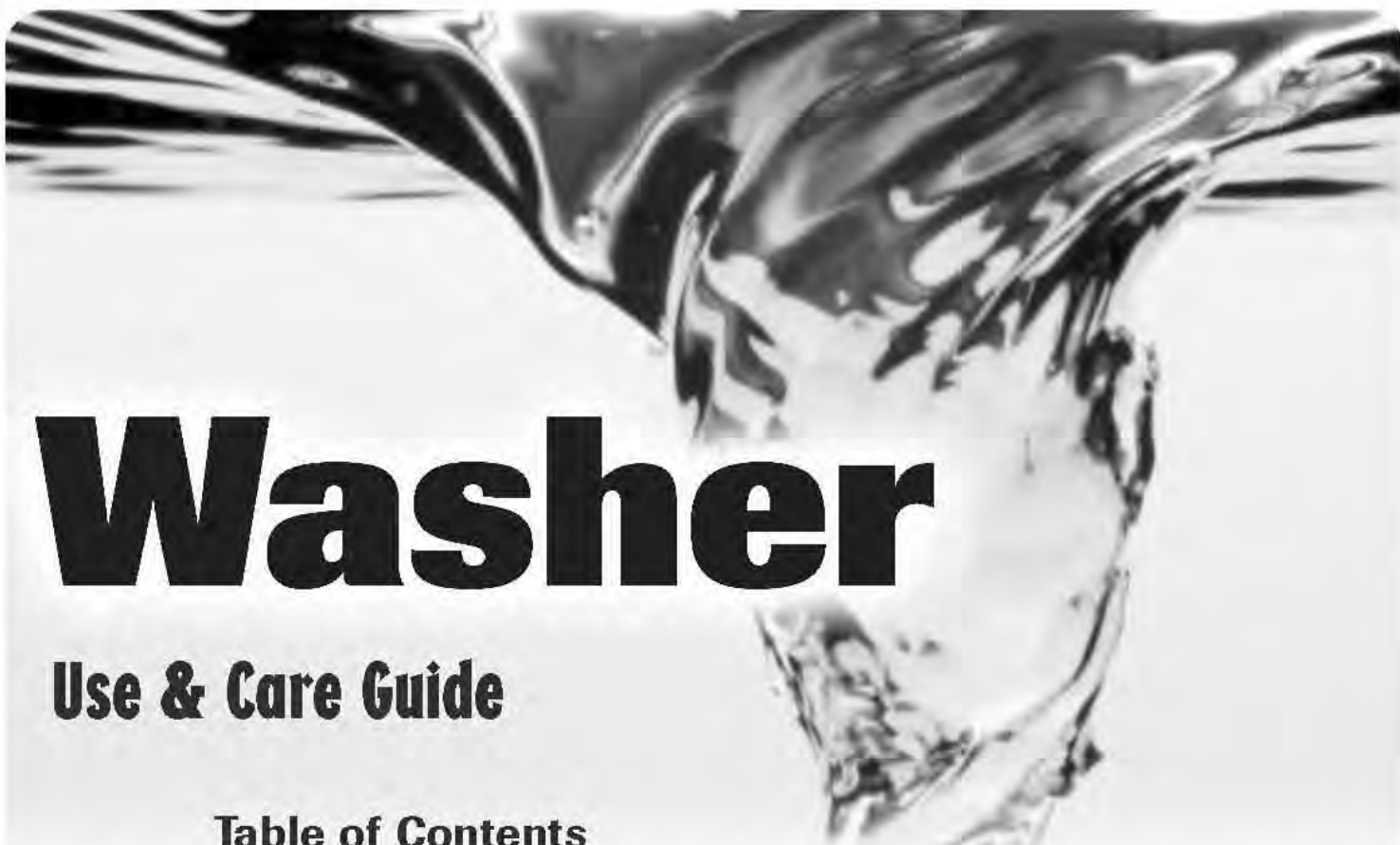
- 7** Before first use to wash clothes, add water and detergent to tub  
Pull out timer knob to start  
Run through one wash cycle and check for leaks







# Appendix D



# Washer

## Use & Care Guide

### Table of Contents



**Safety** ..... 1-2



**Operating Tips** ..... 3

Detergent  
Loading  
Additional Tips



**Using the Controls** ..... 4-6

Select Water Level  
Extra Rinse  
Select Wash/Rinse Temperature  
Select Wash/Spin Speed  
Signal - End of Cycle  
Select Cycle  
Pull Control Dial Out to Start



**Special Features** ..... 7

Bleach Dispenser  
Fabric Softener Dispenser  
Finger Faucet



**Care & Cleaning** ..... 8



**Storing the Washer** ..... 8



**Troubleshooting** ..... 9-10



**Service & Warranty** ..... 11

**Guide d'utilisation  
et d'entretien** ..... 12

**Guía de uso y cuidado** ..... 24

# Safety

**Installer:** Please leave this manual with this appliance.

**Consumer:** Please read and keep this manual for future reference. Keep sales receipt and/or canceled check as proof of purchase.

Model Number \_\_\_\_\_

Serial Number \_\_\_\_\_

Date of Purchase \_\_\_\_\_

If you have questions, call:

Maytag Customer Assistance  
1-800-688-9900 U.S.A.  
1-800-688-2002 Canada  
(Mon.-Fri., 8am-8pm Eastern Time)  
Internet: <http://www.maytag.com>

U.S. Customers using TTY for deaf, hearing impaired or speech impaired, call 1-800-688-2080.

In our continuing effort to improve the quality and performance of our appliances, it may be necessary to make changes to the appliance without revising this guide.

**For service information, see page 11.**

## What You Need to Know About Safety Instructions

Warning and Important Safety Instructions appearing in this manual are not meant to cover all possible conditions and situations that may occur. Common sense, caution and care must be exercised when installing, maintaining or operating appliance.

Always contact your dealer, distributor, service agent or manufacturer about problems or conditions you do not understand.

## Recognize Safety Symbols, Words, Labels

### WARNING

**WARNING** – Hazards or unsafe practices which **COULD** result in severe personal injury or death.

### CAUTION

**CAUTION** – Hazards or unsafe practices which **COULD** result in minor personal injury.

### WARNING

To reduce the risk of fire, explosion, electric shock, or personal injury when using your washer, follow basic safety precautions, including the following:

1. Read all instructions before using the appliance.
2. As with any equipment using electricity and having moving parts, there are potential hazards. To use this appliance safely, the operator should become familiar with the instructions for operation of the appliance and always exercise care when using it.
3. Do not install or store this appliance where it will be exposed to the weather.
4. Install and level washer on a floor that can support the weight.
5. This appliance must be properly grounded. Never plug the appliance cord into a receptacle which is not grounded adequately and in accordance with local and national codes. See installation instructions for grounding this appliance.
6. To avoid the possibility of fire or explosion:
  - a. Do not wash items that have been previously cleaned in, washed in, soaked in, or spotted with gasoline, dry-cleaning solvents, other flammable or explosive substances as they give off vapors that could ignite or explode. Hand wash and line dry any items containing these substances.

Any material on which you have used a cleaning solvent, or which is saturated with flammable liquids or solids, should not be placed in the washer until all traces of these liquids or solids and their fumes have been removed.

These items include acetone, denatured alcohol, gasoline, kerosene, some liquid household cleaners, some spot removers, turpentine, waxes and wax removers.

- b. Do not add gasoline, dry-cleaning solvents, or other flammable or explosive substances to the wash water. These substances give off vapors that could ignite or explode.
- c. Under certain conditions, hydrogen gas may be produced in a hot water system that has not been used for two weeks or more. **HYDROGEN GAS IS EXPLOSIVE.** If the hot water system has not been used for such a period, before using a



## **Safety**

washing machine or combination washer-dryer, turn on all hot water faucets and let the water flow from each for several minutes. This will release any accumulated hydrogen gas. As the gas is flammable, do not smoke or use an open flame during this time.

7. Do not reach into the appliance if the tub or agitator is moving.
8. Do not allow children or pets to play on, in, or in front of the appliance. Close supervision is necessary when the appliance is used near children and pets.
9. Do not tamper with controls.
10. Do not repair or replace any part of the appliance or attempt any servicing unless specifically recommended in published user-repair instructions that you understand and have the skills to carry out.
11. Unplug power supply cord before attempting to service your washer.
12. The agitator should not be removed. If the agitator is removed, it must be replaced by pushing down completely and the locking screw tightened before the washer is operated.
13. Store laundry aids and other material in a cool, dry place where children cannot reach them.
14. Do not wash or dry items that are soiled with vegetable or cooking oil. These items may contain some oil after laundering. Due to the remaining oil, the fabric may smoke or catch fire by itself.
15. Do not use chlorine bleach and ammonia or acids (such as vinegar or rust remover) in the same wash. Hazardous fumes can form.
16. Do not machine wash fiberglass materials. Small particles can stick to fabrics washed in following loads and cause skin irritation.
17. Before the appliance is removed from service or discarded, remove the door to the washing compartment.
18. Inlet hoses are subject to damage and deterioration over time. Check the hoses periodically for bulges, kinks, cuts, wear or leaks and replace them every five years.

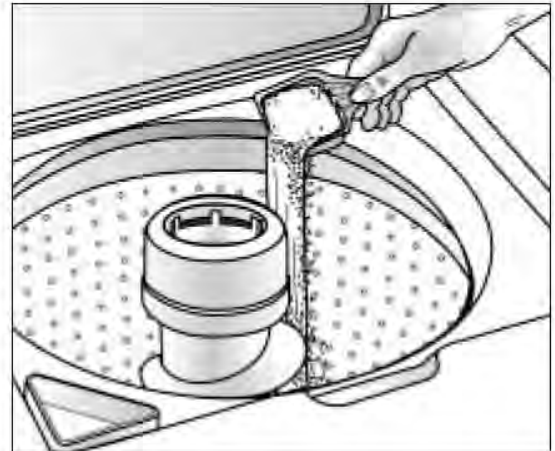
**SAVE THESE INSTRUCTIONS**



# Operating Tips

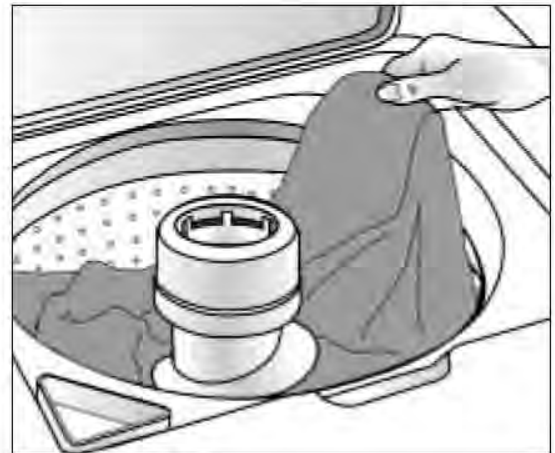
## Detergent

- Use either liquid or granular laundry detergent. **For best results, be sure detergent is added to the washer BEFORE the load and be sure the wash water is above 65° F.**
- Use the correct amount of detergent for the load size, soil level and water conditions. Use more detergent if you have hard water and very soiled loads.  
If you have soft water or a lightly soiled load, use less detergent. (See manufacturer's instructions.)
- Wipe up any detergent spills on the washer.



## Loading

- Put dry, unfolded clothes loosely in the tub, up to the top row of holes for a maximum load.
- Do not wrap large items like sheets around the agitator.
- Mix large and small items for best circulation. Wash bulky items like blankets separately.
- When laundering wrinkle free items or items of delicate construction, washable woolens or loosely knit items, never use less than the MEDIUM water level setting. This will minimize shrinkage, wrinkling and pulling of seams.
- For best results add the detergent to the washtub before adding the load.
- Close lid carefully to avoid slamming.



## Additional Tips

- During the spin, it is possible for the load to become unevenly distributed in the tub. If this happens, push in the control knob, open the lid, redistribute the load, close the lid and pull out the control knob. The spin will resume at the point it was interrupted.
- The washer will pause briefly throughout each cycle. These pauses are normal.
- This washer is designed so that it will not spin or agitate when the lid is open. It will, however, fill with the lid open so water is available for pretreating stains or diluting fabric softener.
- If you open the lid during a spin cycle, the washer will stop. When the lid is closed and the control dial pulled out, the washer will continue the cycle at the point it was interrupted.

For detailed information on sorting, pretreating stains, etc., see the enclosed *Laundering Tips* brochure.



# Using the Controls

## STEP 1

### Select Water Level

Determine the selected setting based on clothes load size.

On select models, the infinite control allows you to select a specific setting or anywhere in between.

It may become necessary, due to bulky fabrics, to adjust the water level after agitation begins. To adjust the water level, turn the control to **reset** and then back to the desired setting.

WATER LEVEL SETTING	LOAD SIZE
Mini (select models)	1/4 Full
Small	1/4 – 1/3 Full
Medium	1/3 – 1/2 Full
Large	1/2 – 3/4 Full
Oversize	3/4 Full – Full

*Control features vary by model.*

### Note

- Items must circulate freely for best results.

### Infinite Water Level



### Extra Rinse



## STEP 2

### Extra Rinse (select models)

(if desired)

Provides an additional rinse near the end of the cycle to more completely remove laundry additives, perfumes, etc.

## STEP 3

### Select Wash/Rinse Temperature

Your washer provides you with a choice of hot, warm or cold water for washing and cold or warm water for rinsing.

**Automatic Temperature Control (select models)** provides the optimal wash water temperature for cleaning. To save energy, this washer will regulate wash water temperatures by mixing hot and cold water to reach the proper water temperature.

### Wash/Rinse Temp



**cont.**



# Using the Controls

## STEP 3 (cont.)

WASH/RINSE TEMPS	LOAD TYPE
Hot/Cold	White and heavily soiled, color-fast items
Warm/Warm	Moderately soiled, colored items
Warm/Cold	Moderately soiled, colored items; most wrinkle-free items
Cold/Cold	Brightly colored, lightly soiled items; washable woolens
<b>These settings feature Automatic Temperature Control:</b>	
Hot Cold (select models)	Assures hot water wash temperature of approximately 90° F to clean white and heavily soiled color-fast items
Warm Warm Warm Cold (select models)	Assures warm water wash temperature of approximately 85° F; provides optimum cleaning results
Cold Cold	Assures cold water wash temperature of approximately 65° F to properly activate detergent

Control features vary by model.



### Note

- In wash water temperatures below 65° F, detergents do not dissolve well or clean well.

## STEP 4

### Select Wash/Spin Speed

(select models)

Some washer models have selectable wash and spin speed combinations.

WASH/SPIN SPEEDS	LOAD TYPE
Regular Normal/Fast	Sturdy fabrics needing maximum water extraction like jeans, towels and bedding
Wrinkle Free Normal/Slow	Sturdy fabrics needing a slower spin speed to reduce wrinkling, such as dress shirts and dress pants
Delicate Gentle/Slow	Delicate fabrics needing slower spin speed because of clothing construction
Hand Wash Ex. Gentle/Slow	Intermittent slow agitation and soak to gently wash the most delicate items

### Wash/Spin Speed



### Models SAV2555 AND SAV2655

- The wash/spin speeds are automatically programmed to assure proper agitation and spinning for each load type. **REGULAR** cycles will provide a normal/fast wash/spin speed. **WRINKLE FREE FABRICS** will have a normal/slow wash/spin speed along with a cool-down spray rinse. **DELICATES** cycle will have a gentle wash and slow final spin speed.



# Using the Controls

## STEP 5

### Signal – End of Cycle

(select models)

The end of cycle signal will sound once the cycle is completed.



## STEP 6

### Select Cycle

To select a cycle, push the control dial IN and turn until the pointer is at the soil level needed for the wash load.

#### Handwash Cycle (select models)

Intermittent slow agitation and soak for delicate fabrics needing slow spin speed because of clothing construction.

**LIGHT:** approximately 9 minutes of agitation and soak.

**EXTRA LIGHT:** approximately 3 minutes of agitation and soak.

#### Delicates Cycle

Delicates is designed for items requiring delicate wash action and uses the following settings:

**NORMAL:** approximately 9 minutes of wash time.

**LIGHT:** approximately 6 minutes of wash time.

**EXTRA LIGHT (select models):** approximately 3 minutes of wash time.

## STEP 7

### Pull Control Dial Out to Start

You may stop the washer at any time by simply pushing the control dial IN. Therefore it is possible to obtain a non-agitated soak or to shorten, skip or repeat any part of a cycle. The control dial must be pushed IN (off position) when you change the setting.



#### Regular Cycle

Regular Cycle is used for normal, sturdy fabrics and uses the following settings:

**PREWASH (select models):** adds approximately 6 minutes of wash time.

**EXTRA HEAVY:** approximately 18 minutes of wash time.

**HEAVY:** approximately 15 minutes of wash time.

**NORMAL:** approximately 12 minutes of wash time.

**LIGHT:** approximately 9 minutes of wash time.

#### Soak Only (select models)

Provides 9 minutes of agitation and soak. **Avoid extended soaking – soak for 30 minutes or less.** The control dial must be manually advanced to a spin setting to spin and drain the water.

#### Wrinkle Free Fabrics

This cycle is designed for sturdy fabrics needing a slower spin speed to reduce wrinkling, such as dress shirts and dress pants.

**NORMAL:** approximately 12 minutes of wash time.

**LIGHT:** approximately 9 minutes of wash time.

**EXTRA LIGHT:** approximately 6 minutes of wash time.

See *Laundrying Tips* for proper washing procedures, stain removal, and special laundering situations.





# Special Features

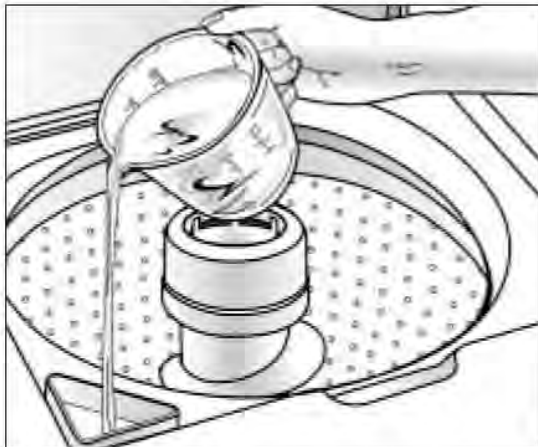
## Bleach Dispenser

The dispenser automatically dilutes liquid chlorine bleach before it reaches your wash load. To use, follow these steps:

1. Measure liquid chlorine bleach carefully, following the instructions on the bottle.
2. Add the bleach to the dispenser before adding the load. Avoid splashing or over-filling the dispenser.

### Note

- Never pour undiluted liquid chlorine bleach directly onto the load or into the wash tub. It is a powerful chemical and can cause fabric damage, such as tearing or color loss, if not used properly.
- If you prefer to use color-safe, non-chlorine bleach, pour it into the wash tub with your detergent. Do not pour non-chlorine bleaches into the bleach dispenser.



**Pour liquid chlorine bleach into bleach dispenser.**

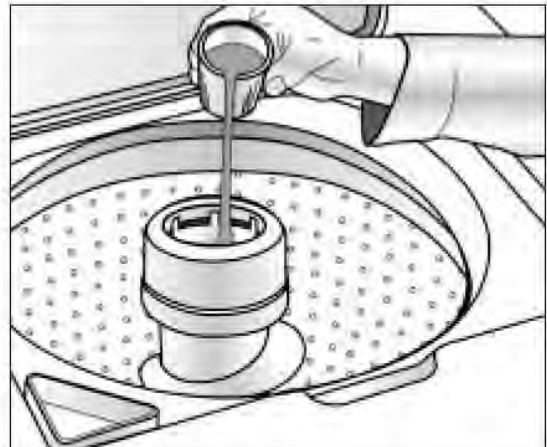
## Fabric Softener Dispenser (style varies by model)

This dispenser automatically releases liquid fabric softener at the proper time during the cycle. To use, follow these steps:

1. Pour a measured amount of fabric softener into the dispenser to fill line only.
2. If liquid comes below line, add warm water.

### Note

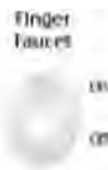
- Do not stop the washer during the first spin. This will cause the dispenser to empty too soon.
- Never pour fabric softener directly on the load. It will leave spots and stains.
- Use the dispenser for liquid fabric softeners only.



**Pour liquid fabric softener into cup and dilute with warm water.**

## Finger Faucet (select models)

Provides a flow of water when holding the switch in the "On" position.



# Troubleshooting

For problem laundry solutions (i.e. fabric damage, residue, tangling) and special laundry care procedures, see the enclosed *Laundering Tips* brochure.

<b>Won't Fill</b>	<ul style="list-style-type: none"> <li>• Plug cord into live electrical outlet.</li> <li>• Check fuse or reset circuit breaker.</li> <li>• Turn the control knob to proper cycle and pull knob out to start the washer.</li> <li>• Turn both faucets on fully.</li> <li>• Straighten inlet hoses.</li> <li>• Disconnect hoses and clean screens. Hose filter screens may be plugged.</li> </ul>
<b>Won't Agitate</b>	<ul style="list-style-type: none"> <li>• Check fuse or reset circuit breaker.</li> <li>• Make sure the lid is completely closed.</li> <li>• Turn the control knob to proper cycle and pull knob out to start the washer.</li> <li>• Close lid and pull knob out to start the washer. For your safety, washer will not agitate or spin unless the lid is closed.</li> <li>• Pauses are normal. Wait and see if the washer will start again.</li> </ul>
<b>Won't Spin or Drain</b>	<ul style="list-style-type: none"> <li>• Check fuse or reset circuit breaker.</li> <li>• Straighten drain hoses. Eliminate kinked hoses. If there is a home drain restriction, call for drain service.</li> <li>• Close lid and pull knob out to start the washer. For your safety, washer will not agitate or spin unless the lid is closed.</li> <li>• Suds lock – caused by too much suds. Rewash without detergent. Use correct amount of a low-sudsing detergent.</li> </ul>
<b>Load is Wet</b>	<ul style="list-style-type: none"> <li>• Unevenly distributed load. Redistribute the load, close the lid and pull knob out. Check for leveling. Be sure water level is acceptable for load size.</li> <li>• A fast spin speed is recommended for heavy loads like jeans or towels.</li> </ul>
<b>Stops</b>	<ul style="list-style-type: none"> <li>• Plug cord into live electrical outlet.</li> <li>• Check fuse or reset circuit breaker.</li> <li>• Turn the control knob to proper cycle and pull knob out to start the washer.</li> <li>• Close lid and pull knob out to start the washer. For your safety, washer will not agitate or spin unless lid is closed.</li> <li>• This may be a pause or soak period in the cycle. Wait briefly and it may start.</li> </ul>
<b>Leaks Water</b>	<ul style="list-style-type: none"> <li>• Make sure hose connections are tight.</li> <li>• Make sure end of drain hose is correctly inserted and secured to drain facility.</li> <li>• Avoid extended soaking – soak for 30 minutes or less.</li> <li>• Avoid overloading.</li> </ul>
<b>Is Noisy</b>	<ul style="list-style-type: none"> <li>• Be sure washer is leveled properly as outlined in installation manual.</li> <li>• Weak floors can cause vibration and walking.</li> <li>• Be sure rubber feet are installed on leveling legs.</li> <li>• Operating sounds will vary depending on agitation speed.</li> </ul>

# **Troubleshooting**

For problem laundry solutions (i.e. fabric damage, residue, tangling) and special laundry care procedures, see the enclosed *Laundering Tips* brochure.

<b>Won't Fill</b>	<ul style="list-style-type: none"> <li>• Plug cord into live electrical outlet.</li> <li>• Check fuse or reset circuit breaker.</li> <li>• Turn the control knob to proper cycle and pull knob out to start the washer.</li> <li>• Turn both faucets on fully.</li> <li>• Straighten inlet hoses.</li> <li>• Disconnect hoses and clean screens. Hose filter screens may be plugged.</li> </ul>
<b>Won't Agitate</b>	<ul style="list-style-type: none"> <li>• Check fuse or reset circuit breaker.</li> <li>• Make sure the lid is completely closed.</li> <li>• Turn the control knob to proper cycle and pull knob out to start the washer.</li> <li>• Close lid and pull knob out to start the washer. For your safety, washer will not agitate or spin unless the lid is closed.</li> <li>• Pauses are normal. Wait and see if the washer will start again.</li> </ul>
<b>Won't Spin or Drain</b>	<ul style="list-style-type: none"> <li>• Check fuse or reset circuit breaker.</li> <li>• Straighten drain hoses. Eliminate kinked hoses. If there is a home drain restriction, call for drain service.</li> <li>• Close lid and pull knob out to start the washer. For your safety, washer will not agitate or spin unless the lid is closed.</li> <li>• Suds lock – caused by too much suds. Rewash without detergent. Use correct amount of a low-sudsing detergent.</li> </ul>
<b>Load is Wet</b>	<ul style="list-style-type: none"> <li>• Unevenly distributed load. Redistribute the load, close the lid and pull knob out. Check for leveling. Be sure water level is acceptable for load size.</li> <li>• A fast spin speed is recommended for heavy loads like jeans or towels.</li> </ul>
<b>Stops</b>	<ul style="list-style-type: none"> <li>• Plug cord into live electrical outlet.</li> <li>• Check fuse or reset circuit breaker.</li> <li>• Turn the control knob to proper cycle and pull knob out to start the washer.</li> <li>• Close lid and pull knob out to start the washer. For your safety, washer will not agitate or spin unless lid is closed.</li> <li>• This may be a pause or soak period in the cycle. Wait briefly and it may start.</li> </ul>
<b>Leaks Water</b>	<ul style="list-style-type: none"> <li>• Make sure hose connections are tight.</li> <li>• Make sure end of drain hose is correctly inserted and secured to drain facility.</li> <li>• Avoid extended soaking – soak for 30 minutes or less.</li> <li>• Avoid overloading.</li> </ul>
<b>Is Noisy</b>	<ul style="list-style-type: none"> <li>• Be sure washer is leveled properly as outlined in installation manual.</li> <li>• Weak floors can cause vibration and walking.</li> <li>• Be sure rubber feet are installed on leveling legs.</li> <li>• Operating sounds will vary depending on agitation speed.</li> </ul>

# **Troubleshooting**

<b>Fills with the Wrong Temperature Water</b>	<ul style="list-style-type: none"><li>• Turn both faucets on fully.</li><li>• If equipped with a temperature selector knob, be sure it is set directly on a temperature setting and not between settings.</li><li>• Make sure temperature selection is correct.</li><li>• If Auto Temperature Control (select models) is selected, cold water may feel warmer than cold water from the tap. (See page 4).</li><li>• Make sure hoses are connected to correct faucets and inlet connections. Be sure water supply is regulated correctly. Flush water line before filling washer.</li><li>• Check the water heater. It should be set to deliver a minimum 120° F (49° C) hot water at the tap. Also check water heater capacity and recovery rate.</li><li>• Disconnect hoses and clean screens. Hose filter screens may be plugged.</li></ul>
<b>Cycle Selector Advances Through Off</b>	<ul style="list-style-type: none"><li>• Extra Rinse (select models) is selected.</li></ul>

**For further assistance contact Maytag Services<sup>SM</sup>, Maytag Customer Assistance:  
U.S. 1-800-688-9900 or Canada 1-800-688-2002.  
U.S. Customers using TTY for deaf, hearing impaired or speech impaired, call 1-800-688-2080.**



# Service & Warranty

## Washer Warranty

### Full One-Year Warranty

For one (1) year from the date of original retail purchase, any part which fails in normal home use will be repaired or replaced free of charge.

### Limited Warranty

After the first year from date of original retail purchase, through the time periods listed below, the parts designated below which fail in normal home use will be repaired or replaced free of charge for the part itself, with the owner paying all other costs, including labor, mileage, transportation, trip charge and diagnostic charge, if required.

**Second Year** – All parts.

**Third Through Fifth Year** – The drive motor. All parts of solid state controls (if so equipped).

**Third Through Tenth Year** – All parts of the transmission assembly.

**Third Through Lifetime** – The inner wash basket.

### Additional Limited Warranty Against Rust-Through –

Should an exterior cabinet, including the door, rust through during the one-year period starting from the date of retail purchase, repair or replacement will be made free of charge. After the first and through the tenth year, repair or replacement will be made free of charge for the part itself, with the owner paying all other costs, including labor, mileage, transportation, trip charge and diagnostic charge, if required.

**Please Note:** This full warranty and the limited warranty apply when the washer is located in the United States or Canada. Washers located elsewhere are covered by the limited warranty only, including parts which fail during the first two years.

### Canadian Residents

This warranty covers only those appliances installed in Canada that have been listed with the Canadian Standards Association unless the appliances are brought into Canada due to transfer of residence from the United States to Canada.

The specific warranties expressed above are the ONLY warranties provided by the manufacturer. This warranty gives you specific legal rights, and you may also have other rights that vary from state to state.

Use & Care Guides, service manuals and parts catalogs are available from Maytag Services<sup>SM</sup>, Maytag Customer Assistance.

## What is Not Covered By These Warranties:

1. Conditions and damages resulting from any of the following:
  - a. Improper installation, delivery or maintenance.
  - b. Any repair, modification, alteration, or adjustment not authorized by the manufacturer or an authorized servicer.
  - c. Misuse, abuse, accidents or unreasonable use.
  - d. Incorrect electric current, voltage or supply.
  - e. Improper setting of any control.
2. Warranties are void if the original serial numbers have been removed, altered or cannot be readily determined.
3. Products purchased for commercial or industrial use.
4. The cost of service or service call to:
  - a. Correct installation errors.
  - b. Instruct the user on the proper use of the product.
  - c. Transport the appliance to the servicer.
5. Consequential or incidental damages sustained by any person as a result of any breach of these warranties.

Some states do not allow the exclusion or limitation of consequential or incidental damages, so the above exclusion may not apply.

## To Obtain Warranty Service

To locate an authorized service company in your area, contact the dealer from whom your appliance was purchased; or call Maytag Services<sup>SM</sup>, Maytag Customer Assistance. Should you not receive satisfactory warranty service, please call or write:

Maytag Services<sup>SM</sup>  
Attn: CAIR<sup>®</sup> Center  
P.O. Box 2370  
Cleveland, TN 37320-2370  
**U.S. 1-800-688-9900**  
**Canada 1-800-688-2002**  
**U.S. Customers using TTY for deaf, hearing impaired or speech impaired, call 1-800-688-2080.**

### Note

- When contacting Maytag Services<sup>SM</sup>, Maytag Customer Assistance about a service problem, please include the following:
  - a. Your name, address and telephone number;
  - b. Model number and serial number (found on the back center of the control panel) of your appliance;
  - c. Name and address of your dealer and the date the appliance was purchased;
  - d. A clear description of the problem you are having;
  - e. Proof of purchase.



# Appendix E

# Amana®

# Washer

## Use & Care Guide



**Safety** ..... 1-2



**Operating Tips** ..... 3



**Using the Controls** ..... 4 - 6



**Special Features** ..... 7



**Care & Cleaning** ..... 8



**Storing the Washer** ..... 8



**Troubleshooting** ..... 9-10



**Service & Warranty** ..... 11

**Guide d'utilisation et d'entretien** ..... 12

**Guía de uso y cuidado** ..... 24





# Safety

**Installer:** Please leave this manual with this appliance.

**Consumer:** Please read and keep this manual for future reference. Keep sales receipt and/or canceled check as proof of purchase.

Model Number \_\_\_\_\_

Serial Number \_\_\_\_\_

Date of Purchase \_\_\_\_\_

If you have questions, call:

Amana Customer Assistance  
1-800-843-0304 U.S.A.

1-866-587-2002 Canada

Internet: <http://www.amana.com>

U.S. Customers using TTY for deaf, hearing impaired or speech impaired, call 1-800-688-2080.

In our continuing effort to improve the quality and performance of our appliances, it may be necessary to make changes to the appliance without revising this guide.

**For service information, see page 11.**

## What You Need to Know About Safety Instructions

Warning and Important Safety Instructions appearing in this manual are not meant to cover all possible conditions and situations that may occur. Common sense, caution and care must be exercised when installing, maintaining or operating appliance.

Always contact your dealer, distributor, service agent or manufacturer about problems or conditions you do not understand.

### Recognize Safety Symbols, Words, Labels

#### WARNING

**WARNING** – Hazards or unsafe practices which **COULD** result in severe personal injury or death.

#### CAUTION

**CAUTION** – Hazards or unsafe practices which **COULD** result in minor personal injury.

#### WARNING

To reduce the risk of fire, explosion, electric shock, or personal injury when using your washer, follow basic safety precautions, including the following:

1. Read all instructions before using the appliance.
2. As with any equipment using electricity and having moving parts, there are potential hazards. To use this appliance safely, the operator should become familiar with the instructions for operation of the appliance and always exercise care when using it.
3. Do not install or store this appliance where it will be exposed to the weather.
4. Install and level washer on a floor that can support the weight.
5. This appliance must be properly grounded. Never plug the appliance cord into a receptacle which is not grounded adequately and in accordance with local and national codes. See installation instructions for grounding this appliance.
6. To avoid the possibility of fire or explosion:
  - a. Do not wash items that have been previously cleaned in, washed in, soaked in, or spotted with gasoline, dry-cleaning solvents, other flammable or explosive substances as they give off vapors that could ignite or explode. Hand wash and line dry any items containing these substances.

Any material on which you have used a cleaning solvent, or which is saturated with flammable liquids or solids, should not be placed in the washer until all traces of these liquids or solids and their fumes have been removed.

These items include acetone, denatured alcohol, gasoline, kerosene, some liquid household cleaners, some spot removers, turpentine, waxes and wax removers.

- b. Do not add gasoline, dry-cleaning solvents, or other flammable or explosive substances to the wash water. These substances give off vapors that could ignite or explode.
- c. Under certain conditions, hydrogen gas may be produced in a hot water system that has not been used for two weeks or more. **HYDROGEN GAS IS EXPLOSIVE.** If the hot water system has not been used for such a period, before using a



## **Safety**

washing machine or combination washer-dryer, turn on all hot water faucets and let the water flow from each for several minutes. This will release any accumulated hydrogen gas. As the gas is flammable, do not smoke or use an open flame during this time.

7. Do not reach into the appliance if the tub or agitator is moving.
8. Do not allow children or pets to play on, in, or in front of the appliance. Close supervision is necessary when the appliance is used near children and pets.
9. Do not tamper with controls.
10. Do not repair or replace any part of the appliance or attempt any servicing unless specifically recommended in published user-repair instructions that you understand and have the skills to carry out.
11. Unplug power supply cord before attempting to service your washer.
12. The agitator should not be removed. If the agitator is removed, it must be replaced by pushing down completely and the locking screw tightened before the washer is operated.
13. Store laundry aids and other material in a cool, dry place where children cannot reach them.
14. Do not wash or dry items that are soiled with vegetable or cooking oil. These items may contain some oil after laundering. Due to the remaining oil, the fabric may smoke or catch fire by itself.
15. Do not use chlorine bleach and ammonia or acids (such as vinegar or rust remover) in the same wash. Hazardous fumes can form.
16. Do not machine wash fiberglass materials. Small particles can stick to fabrics washed in following loads and cause skin irritation.
17. Before the appliance is removed from service or discarded, remove the door to the washing compartment.
18. Inlet hoses are subject to damage and deterioration over time. Check the hoses periodically for bulges, kinks, cuts, wear or leaks and replace them every five years.

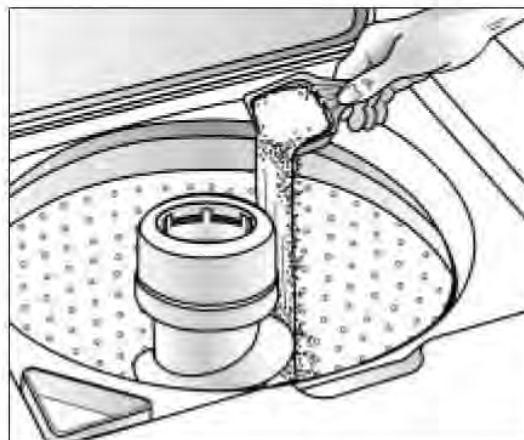
**SAVE THESE INSTRUCTIONS**



## Operating Tips

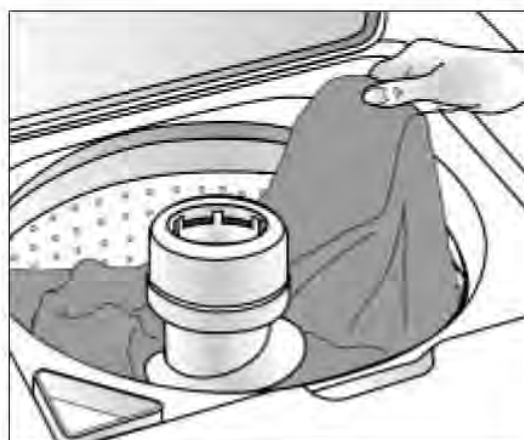
### Detergent

- Use either liquid or granular laundry detergent. **For best results, be sure detergent is added to the washer BEFORE the load and be sure the wash water is above 65° F.**
- Use the correct amount of detergent for the load size, soil level and water conditions. Use more detergent if you have hard water and very soiled loads.  
If you have soft water or a lightly soiled load, use less detergent. (See manufacturer's instructions.)
- Wipe up any detergent spills on the washer.



### Loading

- Put dry, unfolded clothes loosely in the tub, up to the top row of holes for a maximum load.
- Do not wrap large items like sheets around the agitator.
- Mix large and small items for best circulation. Wash bulky items like blankets separately.
- When laundering no iron items or items of delicate construction, washable woolsens or loosely knit items, never use less than the MEDIUM water level setting. This will minimize shrinkage, wrinkling and pulling of seams.
- For best results add the detergent to the washtub before adding the load.
- Close lid carefully to avoid slamming.



### Additional tips

- During the spin, it is possible for the load to become unevenly distributed in the tub. If this happens, push in the control knob, open the lid, redistribute the load, close the lid and pull out the control knob. The spin will resume at the point it was interrupted.
- The washer will pause briefly throughout each cycle. These pauses are normal.
- This washer is designed so that it will not spin or agitate when the lid is open. It will, however, fill with the lid open so water is available for pretreating stains or diluting fabric softener.
- If you open the lid during a spin cycle, the washer will stop. When the lid is closed and the control dial pulled out, the washer will continue the cycle at the point it was interrupted.

For detailed information on sorting, pretreating stains, etc., see the enclosed *Laundering Tips* brochure.



# Using the Controls

## STEP 1

### Select Load Size

Determine the selected setting based on clothes load size.

On select models, the infinite control allows you to select a specific setting or anywhere in between.

It may become necessary, due to bulky fabrics, to adjust the water level after agitation begins. To adjust the water level, turn the control to **reset** and then back to the desired setting.

#### Note

- Items must circulate freely for best results.

WATER LEVEL SETTING	LOAD SIZE
Mini	1/4 Full
Small (select models)	1/4 – 1/3 Full
Medium	1/3 – 1/2 Full
Large	1/2 – 3/4 Full
Super Plus	3/4 Full – Full

## STEP 2

### Extra Rinse (if desired)

Provides an additional rinse near the end of the cycle to more completely remove laundry additives, perfumes, etc.

## STEP 3

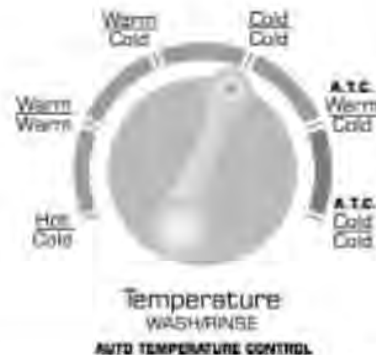
### Select Wash/Rinse Temperature

Your washer provides you with a choice of hot, warm or cold water for washing and cold or warm water for rinsing.

**Automatic Temperature Control (A.T.C.) (select models)** provides the optimal wash water temperature for cleaning. To save energy, this washer will regulate wash water temperatures by mixing hot and cold water to reach the proper water temperature.

cont.

*Control features vary by model.*



#### Note

- In wash water temperatures below 65° F, detergents do not dissolve well or clean well.



# Using the Controls

## STEP 3 (continued)

WASH/RINSE TEMPS	LOAD TYPE
Hot/Cold	White and heavily soiled, color-fast items
Warm/Warm	Moderately soiled, colored items
Warm/Cold	Moderately soiled, colored items; most no iron items
Cold/Cold	Brightly colored, lightly soiled items; washable woolens
<b>These settings feature Automatic Temperature Control:</b>	
A.T.C. Hot/Cold (select models)	Assures hot water wash temperature of approximately 90° F to clean white and heavily soiled color-fast items
A.T.C. Warm/Warm (select models) A.T.C. Warm/Cold	Assures warm water wash temperature of approximately 85° F; provides optimum cleaning results
A.T.C. Cold/Cold	Assures cold water wash temperature of approximately 65° F to properly activate detergent

Control features vary by model.



## STEP 4

### Signal – End of Cycle (select models)

The end of cycle signal will sound once the cycle is completed.





# Using the Controls

## STEP 5

### Select Cycle

To select a cycle, push the control dial IN and turn until the pointer is at the soil level needed for the wash load.

#### Quick Wash (select models)

This cycle is designed to refresh clothing. QUICK WASH should only be used for small loads with little to no soil and minimal water level. Use no more than a teaspoon of detergent.

#### Ultra Handwash

(select models)

Intermittent slowest agitation and soak to gently wash the most delicate items.

#### Handwash

Intermittent slow agitation and soak for delicate fabrics needing slow spin speed because of clothing construction.



#### Regular Cycle

Regular Cycle is used for normal, sturdy fabrics and uses the following settings:

**HEAVY:** approximately 15 minutes of wash time.

**NORMAL:** approximately 12 minutes of wash time.

**LIGHT:** approximately 9 minutes of wash time.

#### No Iron Fabrics

This cycle is designed for sturdy fabrics needing a slower spin speed to reduce wrinkling, such as dress shirts and dress pants.

**NORMAL:** approximately 12 minutes of wash time.

**LIGHT:** approximately 9 minutes of wash time.

## STEP 6

### Pull Control Dial Out to Start

You may stop the washer at any time by simply pushing the control dial IN. Therefore it is possible to obtain a non-agitated soak or to shorten, skip or repeat any part of a cycle. The control dial must be pushed IN (off position) when you change the setting.

See *Laundering Tips* for proper washing procedures, stain removal, and special laundering situations.

# **Special Features**

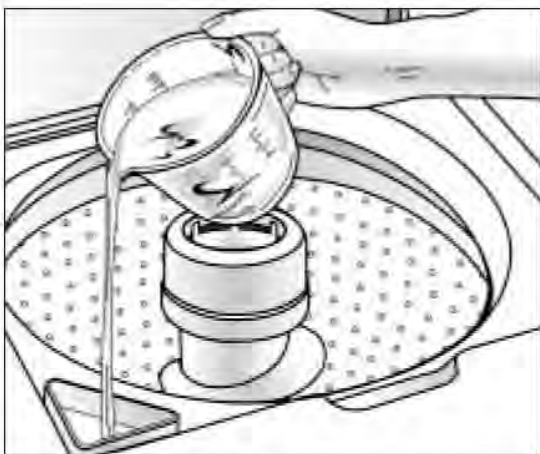
## **Bleach Dispenser**

The dispenser automatically dilutes liquid chlorine bleach before it reaches your wash load. To use, follow these steps:

1. Measure liquid chlorine bleach carefully, following the instructions on the bottle.
2. Add the bleach to the dispenser before adding the load. Avoid splashing or over-filling the dispenser.

### **Note**

- Never pour undiluted liquid chlorine bleach directly onto the load or into the wash tub. It is a powerful chemical and can cause fabric damage, such as tearing or color loss, if not used properly.
- If you prefer to use color-safe, non-chlorine bleach, pour it into the wash tub with your detergent. Do not pour non-chlorine bleaches into the bleach dispenser.



**Pour liquid chlorine bleach into bleach dispenser.**

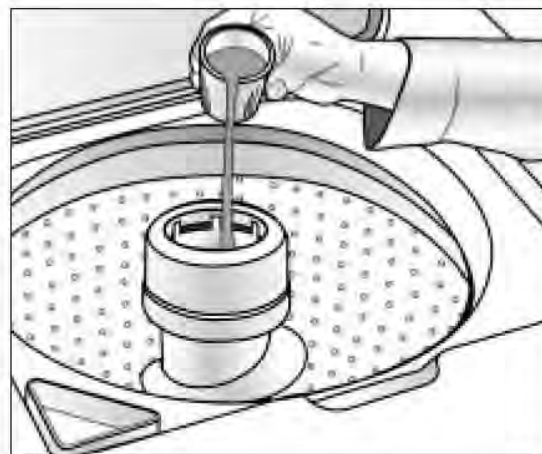
## **Fabric Softener Dispenser**

This dispenser automatically releases liquid fabric softener at the proper time during the cycle. To use, follow these steps:

1. Pour a measured amount of desired liquid into the dispenser to fill line only.
2. If liquid comes below line, add warm water.

### **Note**

- Do not stop the washer during the first spin. This will cause the dispenser to empty too soon.
- Never pour fabric softener directly on the load. It will leave spots and stains.
- Use the dispenser for liquid fabric softeners only.



**Pour liquid fabric softener into cup and dilute with warm water.**

## **Quick Faucet (select models)**

Provides a flow of water when holding the switch in the "On" position.





## Care & Cleaning

Turn off the water faucets after finishing the day's washing. This will shut off the water supply to the washer and prevent the unlikely possibility of damage from escaping water.

Use a soft cloth to wipe up all detergent, bleach or other spills as they occur.

Clean the following as recommended:

**Control Panel** – clean with a soft, damp cloth and glass cleaner. Do not use abrasive powders or cleaning pads.

**Cabinet** – clean with soap and water followed with an appliance wax, if desired.

**Lint Filter** – it is self-cleaning and requires no maintenance. The filter is located under the agitator on the bottom of the washtub. During the wash and rinse portion of the cycle, lint is collected on the filter. Then during the spin and drain the filter is cleaned automatically.



### Fabric Softener Dispenser

If it is necessary to clean the dispenser:

1. Pull the dispenser off of the top of the agitator.
2. Soak for one hour in sink or container in hot water and dishwashing liquid.
3. Hold hands over top and bottom of dispenser and shake to loosen buildup.

4. Rinse with clean, hot water.
5. Repeat process if necessary.
6. Replace dispenser on agitator.



Do not use dishwashing liquid inside the washer. Oversudsing can occur.

**Interior** – hard water deposits may be removed, if needed, using a recommended cleaner labeled washer safe.

The interior of the washer should be cleaned periodically to remove dirt, soil, odor or bacteria residue that may remain in the washer as a result of washing clothes. We recommend taking the following steps every 60 to 120 days to clean and freshen your washer interior. The frequency with which the washer should be cleaned and freshened depends on factors such as usage, the amount of dirt, soil or bacteria being run through your washer, or the use of cold water.

### To clean and freshen the washer interior:

1. Add a measured amount of chlorine bleach to the bleach dispenser, following package directions.
2. Add 1/4 cup of detergent to the tub.
3. Run the washer through a complete cycle using hot water.
4. Repeat the process if necessary.



## Storing the Washer

Washers can be damaged if water is not removed from hoses and internal components before storage. Prepare the washer for storage as follows:

- Select Regular, Light, and add one cup of chlorine bleach OR white vinegar to a full load of water without clothes. Run the washer through a complete cycle.

### Note

- Do not mix bleach and vinegar in the same wash. Hazardous fumes can form.

- Turn the water faucets off and disconnect the inlet hoses.
- Advance the cycle control knob to Spin and lower the drain hose to eliminate any water that may be in the drain hose.
- Disconnect the washer from the electrical supply and leave the washer lid open to let air circulate inside the tub.



# **Troubleshooting**

For problem laundry solutions (i.e. fabric damage, residue, tangling) and special laundry care procedures, see the enclosed *Laundering Tips* brochure.

<b>Won't Fill</b>	<ul style="list-style-type: none"> <li>• Plug cord into live electrical outlet.</li> <li>• Check fuse or reset circuit breaker.</li> <li>• Turn the control knob to proper cycle and pull knob out to start the washer.</li> <li>• Turn both faucets on fully.</li> <li>• Straighten inlet hoses.</li> <li>• Disconnect hoses and clean screens. Hose filter screens may be plugged.</li> </ul>
<b>Won't Agitate</b>	<ul style="list-style-type: none"> <li>• Check fuse or reset circuit breaker.</li> <li>• Make sure the lid is completely closed.</li> <li>• Turn the control knob to proper cycle and pull knob out to start the washer.</li> <li>• Close lid and pull knob out to start the washer. For your safety, washer will not agitate or spin unless the lid is closed.</li> <li>• Pauses are normal. Wait and see if the washer will start again.</li> </ul>
<b>Won't Spin or Drain</b>	<ul style="list-style-type: none"> <li>• Check fuse or reset circuit breaker.</li> <li>• Straighten drain hoses. Eliminate kinked hoses. If there is a home drain restriction, call for drain service.</li> <li>• Close lid and pull knob out to start the washer. For your safety, washer will not agitate or spin unless the lid is closed.</li> <li>• Suds lock – caused by too much suds. Rewash without detergent. Use correct amount of a low-sudsing detergent.</li> </ul>
<b>Load is Wet</b>	<ul style="list-style-type: none"> <li>• Unevenly distributed load. Redistribute the load, close the lid and pull knob out. Check for leveling. Be sure water level is acceptable for load size.</li> <li>• A normal spin speed is recommended for heavy loads like jeans or towels.</li> </ul>
<b>Stops</b>	<ul style="list-style-type: none"> <li>• Plug cord into live electrical outlet.</li> <li>• Check fuse or reset circuit breaker.</li> <li>• Turn the control knob to proper cycle and pull knob out to start the washer.</li> <li>• Close lid and pull knob out to start the washer. For your safety, washer will not agitate or spin unless lid is closed.</li> <li>• This may be a pause or soak period in the cycle. Wait briefly and it may start.</li> </ul>
<b>Leaks Water</b>	<ul style="list-style-type: none"> <li>• Make sure hose connections are tight.</li> <li>• Make sure end of drain hose is correctly inserted and secured to drain facility.</li> <li>• Avoid extended soaking – soak for 30 minutes or less.</li> <li>• Avoid overloading.</li> </ul>
<b>Is Noisy</b>	<ul style="list-style-type: none"> <li>• Be sure washer is leveled properly as outlined in installation manual.</li> <li>• Weak floors can cause vibration and walking.</li> <li>• Be sure rubber feet are installed on leveling legs.</li> <li>• Operating sounds will vary depending on agitation speed.</li> </ul>



# Troubleshooting

<b>Fills with the Wrong Temperature Water</b>	<ul style="list-style-type: none"><li>• Turn both faucets on fully.</li><li>• If equipped with a temperature selector knob, be sure it is set directly on a temperature setting and not between settings.</li><li>• Make sure temperature selection is correct.</li><li>• If Auto Temperature Control is selected, cold water may feel warmer than cold water from the tap. (See page 4).</li><li>• Make sure hoses are connected to correct faucets and inlet connections. Be sure water supply is regulated correctly. Flush water line before filling washer.</li><li>• Check the water heater. It should be set to deliver a minimum 120° F (49° C) hot water at the tap. Also check water heater capacity and recovery rate.</li><li>• Disconnect hoses and clean screens. Hose filter screens may be plugged.</li></ul>
<b>Cycle Selector Advances Through Off</b>	<ul style="list-style-type: none"><li>• Extra Rinse is selected.</li></ul>

***For further assistance contact Maytag Services<sup>SM</sup>, Amana Customer Assistance:  
U.S. 1-800-843-0304 or Canada 1-866-587-2002.  
U.S. Customers using TTY for deaf, hearing impaired or speech impaired, call 1-800-688-2080.***



# Service & Warranty

## Washer Warranty

### Full One-Year Warranty

For one (1) year from the date of original retail purchase, any part which fails in normal home use will be repaired or replaced free of charge.

### Limited Warranty

After the first year from date of original retail purchase, through the time periods listed below, the parts designated below which fail in normal home use will be repaired or replaced free of charge for the part itself, with the owner paying all other costs, including labor, mileage, transportation, trip charge and diagnostic charge, if required.

**Second Year** – All parts.

**Third Through Fifth Year** – The drive motor.

**Third Through Tenth Year** – All parts of the transmission assembly.

**Third Through Lifetime** – The inner wash basket.

### Additional Limited Warranty Against Rust-Through –

Should an exterior cabinet, including the door, rust through during the one-year period starting from the date of retail purchase, repair or replacement will be made free of charge. After the first and through the tenth year, repair or replacement will be made free of charge for the part itself, with the owner paying all other costs, including labor, mileage, transportation, trip charge and diagnostic charge, if required.

**Please Note:** This full warranty and the limited warranty apply when the washer is located in the United States or Canada. Washers located elsewhere are covered by the limited warranty only, including parts which fail during the first two years.

### Canadian Residents

This warranty covers only those appliances installed in Canada that have been listed with the Canadian Standards Association unless the appliances are brought into Canada due to transfer of residence from the United States to Canada.

The specific warranties expressed above are the ONLY warranties provided by the manufacturer. This warranty gives you specific legal rights, and you may also have other rights that vary from state to state.

## What is Not Covered By These Warranties:

1. Conditions and damages resulting from any of the following:
  - a. Improper installation, delivery or maintenance.
  - b. Any repair, modification, alteration, or adjustment not authorized by the manufacturer or an authorized servicer.
  - c. Misuse, abuse, accidents or unreasonable use.
  - d. Incorrect electric current, voltage or supply.
  - e. Improper setting of any control.
2. Warranties are void if the original serial numbers have been removed, altered or cannot be readily determined.
3. Products purchased for commercial or industrial use.
4. The cost of service or service call to:
  - a. Correct installation errors.
  - b. Instruct the user on the proper use of the product.
  - c. Transport the appliance to the servicer.
5. Consequential or incidental damages sustained by any person as a result of any breach of these warranties.

Some states do not allow the exclusion or limitation of consequential or incidental damages, so the above exclusion may not apply.

## To Obtain Warranty Service

To locate an authorized service company in your area, contact the dealer from whom your appliance was purchased; or call Maytag Services<sup>SM</sup>, Amana Customer Assistance. Should you not receive satisfactory warranty service, please call or write:

Maytag Services<sup>SM</sup>

Attn: CAIR<sup>®</sup> Center

P.O. Box 2370

Cleveland, TN 37320-2370

**U.S. 1-800-843-0304**

**Canada 1-866-587-2002**

**U.S. Customers using TTY for deaf, hearing**

**impaired or speech impaired, call 1-800-688-2080.**

### Note

- When contacting Maytag Services<sup>SM</sup>, Amana Customer Assistance about a service problem, please include the following:
  - a. Your name, address and telephone number;
  - b. Model number and serial number (found on the back center of the control panel) of your appliance;
  - c. Name and address of your dealer and the date the appliance was purchased;
  - d. A clear description of the problem you are having;
  - e. Proof of purchase.

Use & Care Guides, service manuals and parts catalogs are available from Maytag Services<sup>SM</sup>, Amana Customer Assistance.

**MAYTAG • 403 W. 4th Street N. • P.O. Box 39 • Newton, Iowa 50208**



# Appendix F



# Installation Instructions

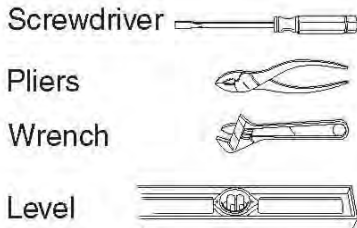
## Top Loading Washer

*Keep instructions for future reference.  
Be sure manual stays with washer.*

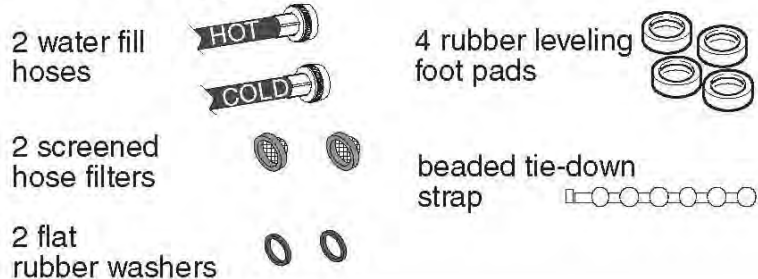
Instructions d'installation . . . . . Page 7  
Instruccions de Instalación . . . . . Page 13

### You'll Need a Few Things Before You Begin:

#### Tools



#### Parts Supplied



### 1 MOVE WASHER TO FINAL AREA; REMOVE SHIPPING BRACE & PLUG

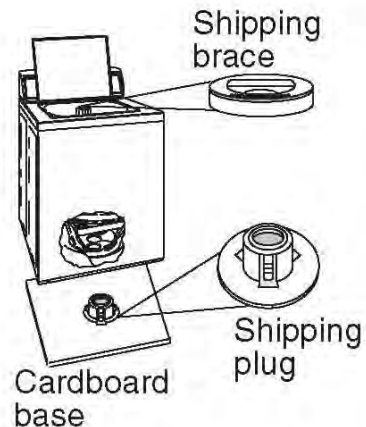
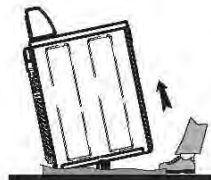
Protect the floor when moving the washer. Washer must be within 4' of desired area before beginning installation. Open washer lid and remove installation parts from shipping brace for use.

**Reach through foam shipping brace, grasp bottom of brace, and pull up to remove.**

**NOTE: Save shipping plug and shipping brace; reinstall whenever washer is moved more than 4'.**

Do not lift or move washer without shipping materials in place.

To remove the shipping plug from the washer, step on the cardboard base, tilt the washer back, and slide out the base.

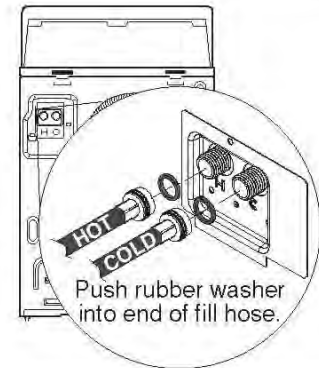


## 2 CONNECT WATER FILL HOSES TO WASHER

Tightly push one flat rubber washer into one end of each water fill hose and attach this end of hose to washer. HOT and COLD connections are identified by letters H and C stamped into washer cabinet and by HOT and COLD printed on water fill hoses.

In most cases, hoses should cross when attached to correct water temperature faucet.

Tighten hose connections by hand until snug, then another 1/4 turn with pliers. **DO NOT** cross-thread or over-tighten couplings.



## 3 CONNECT WATER FILL HOSES TO FAUCETS

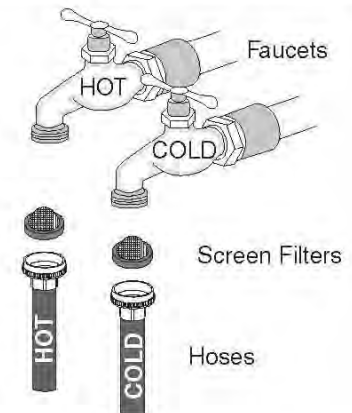
Before connecting hoses to water supply, turn on faucets and **flush lines** for approximately 2 minutes to remove foreign matter that could clog filter screens in water mixing valve or fill hoses.

Tightly push one screened filter washer onto remaining end of each water fill hose. Attach water hoses

to HOT and COLD faucets. **BE SURE HOT WATER HOSE IS CONNECTED TO HOT WATER FAUCET.**

Tighten hose connections by hand until snug, then another 1/4 turn with pliers. **DO NOT** cross-thread or over-tighten couplings.

Turn on water and check for leaks. If leaks are found, retighten hose couplings. Continue tightening and rechecking until no leaks are found.



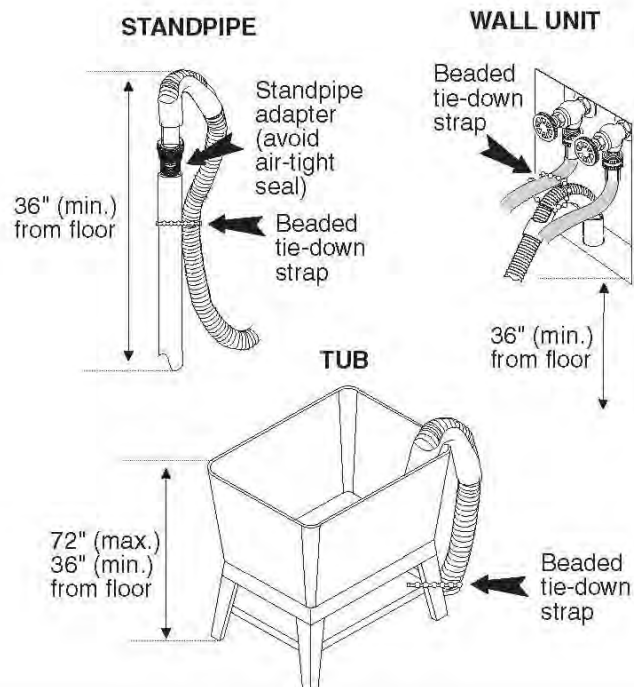
## 4 SECURE DRAIN HOSE TO DRAIN

Remove drain hose from shipping position on rear of washer by unhooking hose from retainer clamp. **Use beaded tie-down strap to secure** "hook" end of drain hose to standpipe, wall inlet hoses, or laundry tub (must hold at least 20 gallons).

**IMPORTANT:** To prevent siphoning, do not place ribbed portion of drain hose into standpipe. Avoid air-tight seal around standpipe adapter.

For standpipe installation below 36" (91.4 cm), install Siphon Break Kit part #562P3.

For standpipe installation above 48" (121.2 cm), install a check valve to prevent water from flowing back into washer. Available from local hardware store.



## 5 POSITION AND LEVEL WASHER

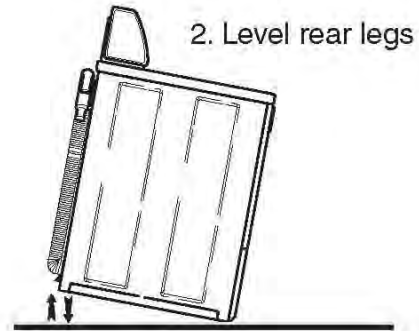
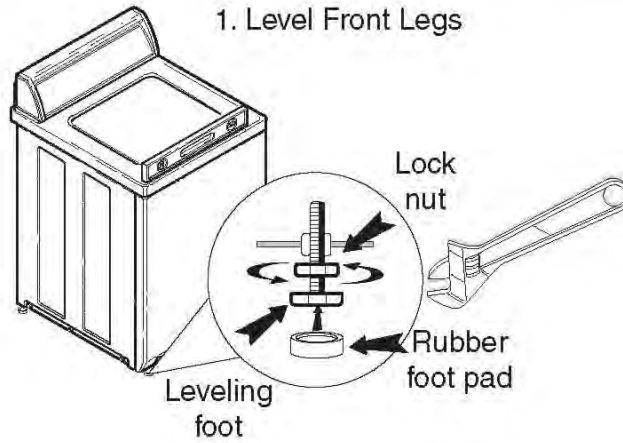
Position washer in final location on clean, dry, firm, and level floor.

**NOTE:** To avoid damage to legs and base, do not slide washer across floor if leveling legs have been extended.

Loosen 7/8" locknuts and extend front leveling legs. Place rubber foot pads on all four leveling legs. Adjust front 2 leveling legs until machine is level side-to-side. Be sure machine does not rock. Tighten locknuts up to washer base, or washer will move out of position during operation.

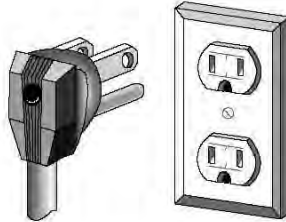
Once front legs are adjusted, gently tilt washer forward on front legs and lower into place to correctly set rear self-leveling legs.

Check that washer is level front-to-back and side-to-side. **WASHER MUST NOT ROCK.**



## 6 CONNECT POWER CORD TO ELECTRICITY

See Installation Requirements section. Plug washer into **3-prong grounded outlet only.**



## 7 CLEAN TUB AND RUN THROUGH ONE WASH CYCLE WITHOUT CLOTHES

Wipe tub with clean rag and soap diluted in warm water to remove any oil used in manufacturing. Use household spray cleaner if necessary.

Add water and detergent to washtub, and run before first use.

### Questions?

*See the User's Guide or call  
Maytag Appliances  
Sales Company*

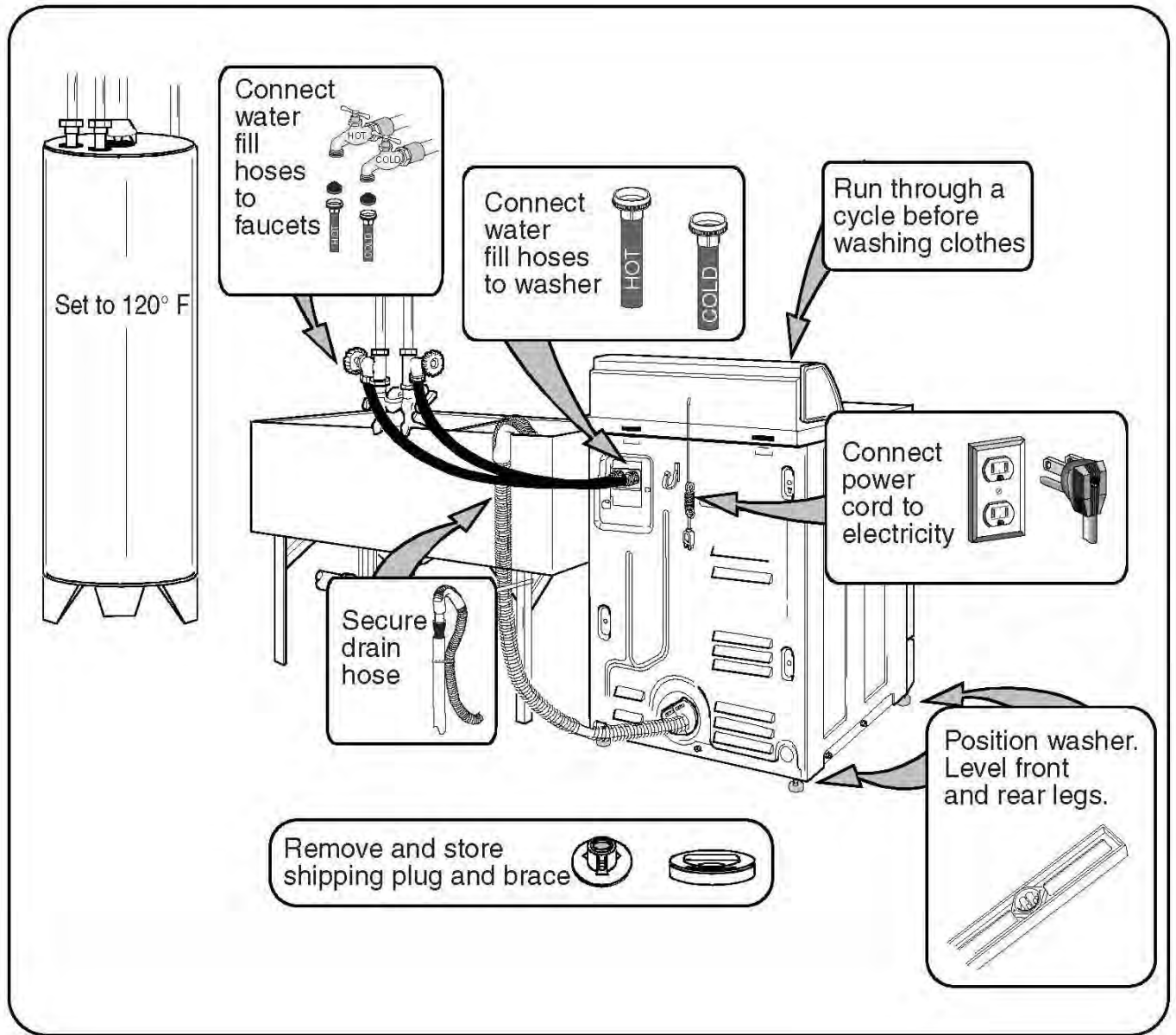
**1-800-688-9900  
USA**

**1-800-688-2002  
Canada**

**1-800-688-2080  
TTY USA Only**



# Installation Summary



# Important Safety Information

## About Ground Wires

In the event of an electrical short circuit, a ground wire reduces the risk of electric shock by providing an escape wire for the electric current.

Standard accepted color coding for ground wires is **green** or **green with a yellow stripe**.

Grounding wires and wires colored like grounding wires are **NOT** to be used as current carrying conductors.

*Save These  
Instructions*

## Grounding Instructions

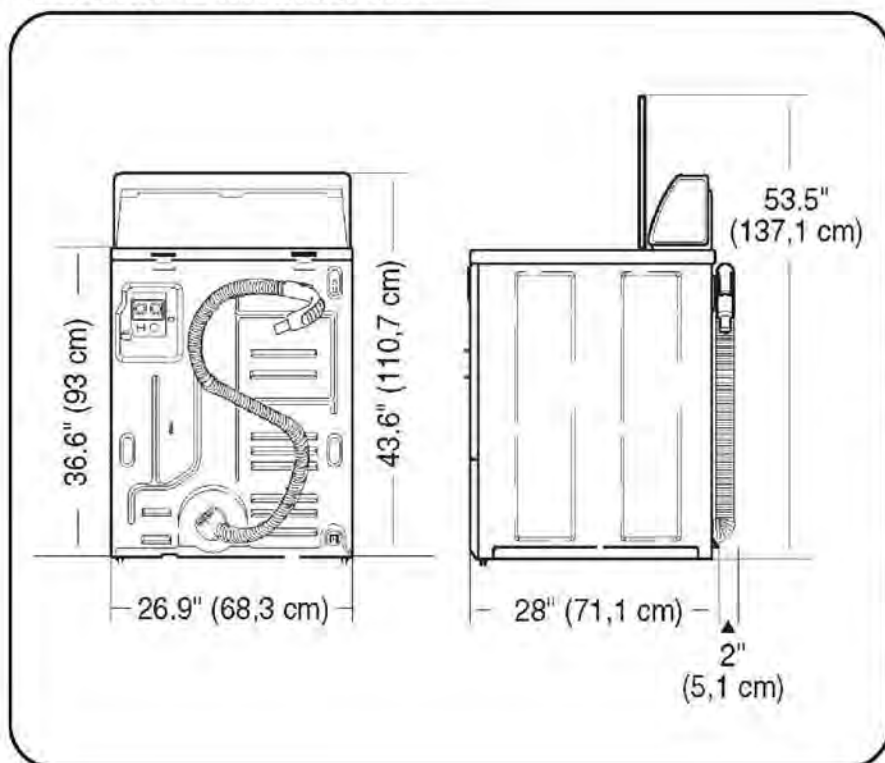
For safety, washer must be grounded. All washer power supply cords are equipped with 3-prong grounding plug. Plug on cord must be plugged into appropriate outlet that is properly installed and grounded in accordance with all local codes and ordinances. Do not modify plug on washer cord. If plug will not fit outlet, have qualified electrician install proper outlet.

### ▲ WARNING

To avoid risk of personal injury or death due to electrical shock:

- **Observe all local codes and ordinances.**
- Disconnect electrical power to unit before servicing.
- Ground appliance properly.
- Check with a qualified electrician if you are not sure this appliance is properly grounded.
- DO NOT ground to gas line.
- DO NOT ground to cold water pipe if pipe is interrupted by plastic, non-metallic gaskets, or other insulating (non-conducting) materials.
- DO NOT modify plug on power cord. If plug does not fit electrical outlet, have proper outlet installed by qualified electrician.
- DO NOT have a fuse in the neutral or ground circuit. A fuse in the neutral or ground circuit could result in an electrical shock.
- DO NOT use an extension cord with this appliance.
- DO NOT use an adapter plug with this appliance.
- DO NOT pinch power cord.

## Washer Dimensions



## Optional Kits

Kits are available at extra cost through your Maytag dealer or Maytag Customer Assistance at 1-800-688-9900 USA, 1-800-688-2002 Canada, 1-800-688-2080 TTY USA Only.

### Siphon Break Kit

For standpipe installation below 36" (91.44 cm), install part #562P3.

### Longer Water Inlet Hoses

8' (2.44 m) inlet hose, part #20617.  
10' (3.05 m) inlet hose, part #20618.

### Drain Hose Extension

Order this kit in two parts: the coupler, part #406P3, and 1' additional drain hose, part #20616.

### Anchor Kit

To stop washer from moving on uneven surfaces, install part #155P3.

### Adjustable leg Extension Kit

To level washer on extremely uneven surfaces, install part #566P3.

# Installation Requirements

## *Before You Install...*

Consider	Description
<b>Location</b>	<p>Use dimensions shown in manual to determine space needed for easy installation and servicing.</p> <p>Install washer on a solid floor. Never install washer on a platform or weak support structure.</p> <p>Wood floor constructions may sometimes need to be reinforced to minimize vibration from unbalanced loads.</p> <p>DO NOT install washer on carpeted floor. Carpet and soft tile surfaces also contribute to vibration and/or tendency for washer to move slightly during spin cycle.</p>
<b>Electrical Requirements</b>	<p>Washer requires 120 volt, 15 amp, 60 Hz power supply and <b>3-prong grounding plug</b>. Power cord is approximately 69" long. Refer to serial plate for specific requirements. Wiring diagram is located in control hood.</p>
<b>Water Supply Faucets</b>	<p>Water supply faucets must fit standard 3/4" (19.05 mm) female garden hose couplings. Do not use slip-on or clamp-on connections.</p> <p><b>NOTE:</b> Water supply faucets should be easily accessible and turned off before extended periods of non-use.</p>
<b>Water Pressure</b>	<p>Static pressure measured at faucet must be 20–120 pounds per square inch (138 to 827 kPa). Water pressure under 20 pounds per square inch (138kPa) results in extended washer fill time.</p>
<b>Drain</b>	<p>Drain receptacle must be able to handle hose with at least 1-1/4" (32 cm) outside diameter. End of drain hose must be 36" (91.44 cm) above floor, or water may run out of washer before end of cycle.</p>