

Service

This manual is to be used by qualified appliance technicians only. Maytag does not assume any responsibility for property damage or personal injury for improper service procedures done by an unqualified person.

Wine Cellar Under Counter Refrigerator

This Base Manual covers general information
Refer to individual Technical Sheet
for information on specific models

This manual includes, but is
not limited to the following:

Jenn-Air
JWC2450ARB
JWC2450ARW
JWC2450ARS
JWC2450ACX

JUC2450ARB
JUC2450ARW
JUC2450ARS
JUC2450ACX

Important Information

Important Notices for Servicers and Consumers

Maytag will not be responsible for personal injury or property damage from improper service procedures. Pride and workmanship go into every product to provide our customers with quality products. It is possible, however, that during its lifetime a product may require service. Products should be serviced only by a qualified service technician who is familiar with the safety procedures required in the repair and who is equipped with the proper tools, parts, testing instruments and the appropriate service information. **IT IS THE TECHNICIAN'S RESPONSIBILITY TO REVIEW ALL APPROPRIATE SERVICE INFORMATION BEFORE BEGINNING REPAIRS.**



WARNING

To avoid risk of severe personal injury or death, disconnect power before working/servicing on appliance to avoid electrical shock.

To locate an authorized servicer, please consult your telephone book or the dealer from whom you purchased this product. For further assistance, please contact:

Customer Service Support Center

CAIR Center

Web Site	Telephone Number
WWW.AMANA.COM	1-800-843-0304
WWW.JENNAIR.COM	1-800-536-6247
WWW.MAYTAG.COM	1-800-688-9900
CAIR Center in Canada	1-800-688-2002
Amana Canada Product	1-866-587-2002

Recognize Safety Symbols, Words, and Labels



DANGER

DANGER—Immediate hazards which **WILL** result in severe personal injury or death.



WARNING

WARNING—Hazards or unsafe practices which **COULD** result in severe personal injury or death.



CAUTION

CAUTION—Hazards or unsafe practices which **COULD** result in minor personal injury, product or property damage.

Table of Contents

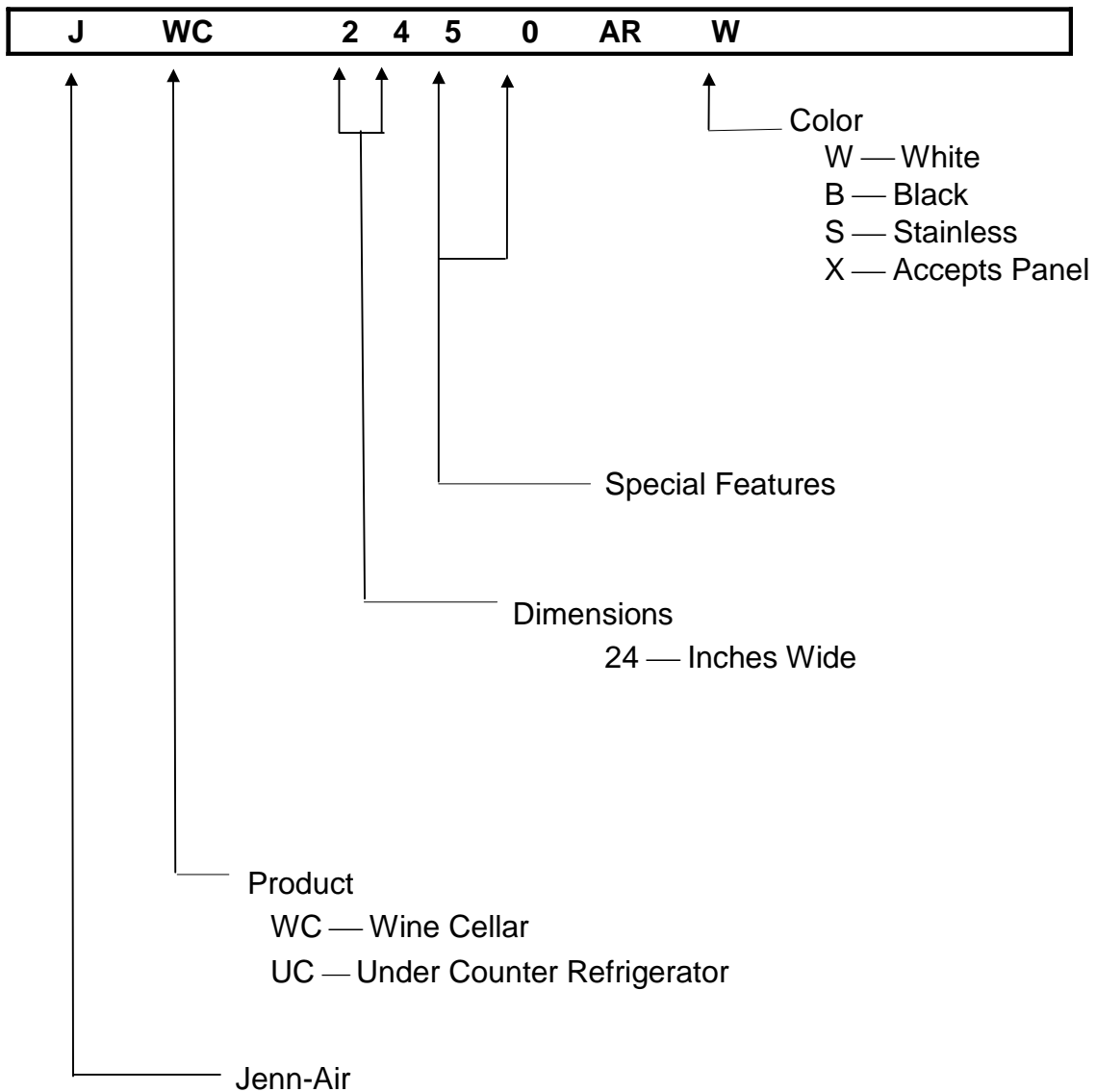
Important Information	2
Model Identification	4
Component Testing	
Compressor	5
Capacitor	6
Condenser	6
PTC Relay	7
(SSAC) Electronic Control	7
Condenser Motor	7
Cabinet Light Switch	7
Drier	7
Evaporator	8
Thermistor	8
Troubleshooting	9-13
Disassembly Procedures	
Replacing the Evaporator	14
Compressor Removal	14
Compressor Installation	14
Condenser Removal	15
Condenser Installation	15
Condenser Fan Removal	15
Evaporator Thermistor Removal	15
Evaporator Thermistor Installation	15
Wiring Diagram	16
Appendix A	
Wine Cellar Owners Guide	A-1
Appendix B	
Under Counter Refrigerator Owners Guide	B-1

Model Identification

Wine Cellar / Under Counter models vary in trim and accessories, but all models have the same basic construction. "Operating Instructions" and "Service Instructions" apply to all cabinets unless stated otherwise.

For positive identifications of individual units, state complete serial number, model, and type. This information is found on the serial plate located on front upper right hand corner of foodliner or on some models, exterior back of the outer casing.

Jenn-Air Model Identification



Component Testing



WARNING

To avoid risk of electrical shock, personal injury, or death, disconnect electrical power source to unit, unless test procedures require power to be connected. Discharge capacitor through a resistor before attempting to service. Ensure all ground wires are connected before certifying unit as repaired and/or operational.

Component Testing



WARNING

To avoid risk of electrical shock, personal injury, or death, disconnect electrical power source to unit, unless test procedures require power to be connected. Discharge capacitor through a resistor before attempting to service. Ensure all ground wires are connected before certifying unit as repaired and/or operational.

Component	Description	Test Procedures
-----------	-------------	-----------------

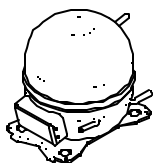
Component Testing



WARNING

To avoid risk of electrical shock, personal injury, or death, disconnect electrical power source to unit, unless test procedures require power to be connected. Discharge capacitor through a resistor before attempting to service. Ensure all ground wires are connected before certifying unit as repaired and/or operational.

Compressor



When compressor electrical circuit is energized, the start winding current causes relay to heat. After an amount of starting time, the start winding circuit turns off. The relay will switch off the start winding circuit even though compressor has not started (for example, when attempting to restart after momentary power interruption).

With "open" relay, compressor will not start because there is little or no current to start windings. Overload protection will open due to high locked rotor run winding current.

With "shorted" relay or capacitor, compressor will start and overload protector will quickly open due to high current of combined run and start windings.

With open or weak capacitor, compressor will start and run as normal but will consume more energy.

Resistance test

1. Disconnect power to unit.
2. Discharge capacitor by shorting across terminals with a resistor for 1 minute.

NOTE: (Some compressors do not have a run capacitor.)

3. Remove leads from compressor terminals.
4. Set ohmmeter to lowest scale.
5. Check for resistance between
 - Terminals "S" and "C", start winding
 - Terminals "R" and "C", run winding
 If either compressor winding reads open (infinite or very high resistance) or dead short (0 ohms), replace compressor.

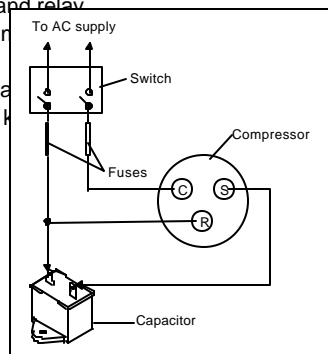
Ground test

1. Disconnect power to refrigerator.
2. Discharge capacitor, if present, by shorting terminals through a resistor.
3. Remove compressor leads and use an ohmmeter set on highest scale.
4. Touch one lead to compressor body (clean point of contact) and other probe to each compressor terminal.
 - If reading is obtained, compressor is grounded and must be replaced.

Operation test

If voltage, capacitor, overload, and motor winding tests do not show cause for failure, perform the following test:

1. Disconnect power to refrigerator.
2. Discharge capacitor by shorting capacitor terminals through a resistor.
3. Remove leads from compressor terminals.
4. Wire a test cord to power switch.
5. Place time delayed fuse with UL rating equal to amp rating of motor in test cord socket. (Refer to Technical Data Sheet)
6. Remove overload and relay.
7. Connect start, comp... appropriate terminals
8. Attach capacitor lea... or is used, attach capacitor lead to a...



Test configuration

9. Plug test cord into multimeter to determine start and run wattage and to check for low voltage, which can also be a source of trouble indications.
10. With power to multimeter, press start cord switch and release.
 - If compressor motor starts and draws normal wattage, compressor is okay and trouble is in capacitor, relay/overload, freezer temperature control, or elsewhere in system.
 - If compressor does not start when direct wired, recover refrigerant at high side. After refrigerant is recovered, repeat compressor direct wire test. If compressor runs after recovery but would not run when direct wired before recover, a restriction in sealed system is indicated.
 - If compressor does not run when wired direct after recovery, replace faulty compressor.

Component Testing



WARNING

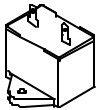


To avoid risk of electrical shock, personal injury, or death, disconnect electrical power source to unit, unless test procedures require power to be connected. Discharge capacitor through a resistor before attempting to service. Ensure all ground wires are connected before certifying unit as repaired and/or operational.

Component Testing



WARNING

To avoid risk of electrical shock, personal injury, or death, disconnect electrical power source to unit, unless test procedures require power to be connected. Discharge capacitor through a resistor before attempting to service. Ensure all ground wires are connected before certifying unit as repaired and/or operational.

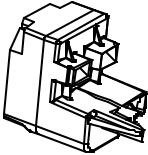


Component	Description	Test Procedures
<p>Capacitor</p> 	<p>Run capacitor connects to relay terminal 3 and N side of line.</p> <p>Some compressors do not require a run capacitor; refer to the Technical Data Sheet for the unit being serviced.</p>	<div style="border: 1px solid black; padding: 5px; margin-bottom: 10px;">  <h3 style="display: inline;">WARNING</h3> </div> <p>To avoid electrical shock which can cause severe personal injury or death, discharge capacitor through a resistor before handling.</p> <ol style="list-style-type: none"> 1. Disconnect power to refrigerator. 2. Remove capacitor cover and disconnect capacitor wires. 3. Discharge capacitor by shorting across terminals with a resistor for 1 minute. 4. Check resistance across capacitor terminals with ohmmeter set on "X1K" scale. <ul style="list-style-type: none"> • Good—needle swings to 0 ohms and slowly moves back to infinity. • Open—needle does not move. Replace capacitor. • Shorted—needle moves to 0 and stays. Replace capacitor. • High resistance leak—needle jumps toward 0 and then moves back to constant high resistance (not infinity).
<p>Condenser</p>	<p>Condenser is a tube and fin construction located in machine compartment.</p> <p>Condenser is on high pressure discharge side of compressor. Condenser function is to transfer heat absorbed by refrigerant to ambient.</p> <p>Higher pressure gas is routed to condenser where, as gas temperature is reduced, gas condenses into a high pressure liquid state. Heat transfer takes place because discharged gas is at a higher temperature than air that is passing over condenser. It is very important that adequate air flow over condenser is maintained.</p> <p>Condenser is air cooled by condenser fan motor. If efficiency of heat transfer from condenser to surrounding air is impaired, condensing temperature becomes higher. High liquid temperature means liquid will not remove as much heat during boiling in evaporator as under normal conditions. This would be indicated by high than normal head pressures, long run time, and high wattage. Remove any lint or other accumulation, that would restrict normal air movement through condenser.</p> <p>From condenser the refrigerant flows into the drier to evaporator and into compressor through suction line.</p>	<p>Leaks in condenser can usually be detected by using an electronic leak detector or soap solution. Look for signs of compressor oil when checking for leaks. A certain amount of compressor oil is circulated with refrigerant.</p> <p>Leaks in post condenser loop are rare because loop is a one-piece copper tube.</p> <p>For minute leaks:</p> <ol style="list-style-type: none"> 1. Separate condenser from rest of refrigeration system and pressurize condenser up to a maximum of 235 PSI with a refrigerant and dry nitrogen combination. <div style="border: 1px solid black; padding: 5px; margin-top: 10px;">  <h3 style="display: inline;">WARNING</h3> </div> <p>To avoid severe personal injury or death from sudden eruption of high pressures gases, observe the following:</p> <p>Protect against a sudden eruption if high pressures are required for leak checking.</p> <p>Do not use high pressure compressed gases in refrigeration systems without a reliable pressure regulator and pressure relief valve in the lines</p>

Component Testing



WARNING

To avoid risk of electrical shock, personal injury, or death, disconnect electrical power source to unit, unless test procedures require power to be connected. Discharge capacitor through a resistor before attempting to service. Ensure all ground wires are connected before certifying unit as repaired and/or operational.

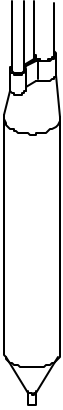


Component	Description	Test Procedures
PTC Relay 	<p>When voltage is connected and relay is cool, current passes through relay to start winding.</p> <p>After a short time, current heats the resistor in relay and resistance will rise blocking current flow through relay.</p> <p>Start winding remains in the circuit through run capacitor.</p> <p>Solid state relay plugs directly on compressor start and run terminals. Relay terminals 2 and 3 are connected within relay. Run capacitor is connected to relay terminal 3. L2 side of 120 VAC power is connected to relay terminal 2.</p>	<ol style="list-style-type: none"> 1. Disconnect power to the refrigerator. 2. Remove relay cover and disconnect leads. 3. Check resistance across terminals 2 and 3 with an ohmmeter: Normal = 3 to 12 ohms Shorted = 0 ohms Open = infinite ohms
(SSAC) Electronic control	<p>Electronic control that uses a thermistor to sense temperature of cabinet and rheostat to adjust temperature.</p>	<ol style="list-style-type: none"> 1. Check resistance of thermistor before replacing Electronic control. 2. If resistance of thermistor is good replace Electronic control
Condenser motor 	<p>Condenser fan moves cooling air across condenser coil and compressor body.</p> <p>Condenser fan motor is in parallel circuit with compressor.</p>	<p>Check resistance across coil.</p>
Cabinet light switch 	<p>Single pole, single throw switch completes circuit for light when door is open.</p>	<p>Check resistant across terminals.</p> <p>Switch arm depressed "NO" terminals Open</p> <p>Switch arm up "NO" terminals Closed</p>

Component Testing



WARNING

To avoid risk of electrical shock, personal injury, or death, disconnect electrical power source to unit, unless test procedures require power to be connected. Discharge capacitor through a resistor before attempting to service. Ensure all ground wires are connected before certifying unit as repaired and/or operational.

<p>Drier</p> 	<p>Drier is placed at post condenser loop outlet and passes liquefied refrigerant to capillary.</p> <p>Desiccant (20) 8 x 12 4AXH - 7 M>S> - Grams</p>	<p>Drier must be changed every time the system is opened for testing or compressor replacement.</p> <p>NOTE: Drier used in R12 sealed system is not interchangeable with drier used in R134a sealed system. Always replace drier in R134a system.</p> <p>Before opening refrigeration system, recover HFC134a refrigerant for safe disposal.</p> <ol style="list-style-type: none"> 1. Cut drier out of system using the following procedure. Do not unbraid drier. 2. Applying heat to remove drier will drive moisture into the system. 3. Score capillary tube close to drier and break. 4. Reform inlet tube to drier allowing enough space for large tube cutter. 5. Cut circumference of drier 1 1/4" below condenser inlet tube joint to drier. 6. Remove drier. 7. Apply heat trap paste on post condenser tubes to protect grommets from high heat. 8. Unbraid remaining part of drier. Remove drier from system.
<div style="border: 1px solid black; padding: 5px;">  <h3>WARNING</h3> <p>To avoid death or severe personal injury, cut drier at correct location. Cutting drier at incorrect location will allow desiccant beads to scatter. If spilled, completely clean area of beads.</p> </div>		
<p>Component</p>	<p>Description</p>	<p>Test Procedures</p>
<p>Evaporator</p>	<p>Inner volume of evaporator allows liquid refrigerant discharged from capillary to expand into refrigerant gas.</p> <p>Expansion cools evaporator tube and fin temperature to approximately -20°F transferring heat from freezer section to refrigerant.</p> <p>Passing through suction line to compressor, the refrigerant picks up superheat (a relationship between pressure and temperature that assures complete vaporization of liquid refrigerant) as the result of capillary tube soldered to suction line.</p> <p>Refrigerant gas is pulled through suction line by compressor, completing refrigeration cycle.</p>	<p>Test for leaks in evaporator with electronic leak detector or with soap solution. Compressor oil is circulated with refrigerant; check for oil when checking for leaks.</p> <p>For minute leaks:</p> <ol style="list-style-type: none"> 1. Separate evaporator from rest of refrigeration system and pressurize evaporator up to a maximum of 140 PSI with a refrigerant and dry nitrogen combination.
<div style="border: 1px solid black; padding: 5px;">  <h3>WARNING</h3> <p>To avoid severe personal injury or death from sudden eruption of high pressures gases, observe the following:</p> <ul style="list-style-type: none"> • Protect against a sudden eruption if high pressures are required for leak checking. • Do not use high pressure compressed gases in refrigeration systems without a reliable pressure regulator and pressure relief valve in the lines. </div>		

Component Testing



WARNING

To avoid risk of electrical shock, personal injury, or death, disconnect electrical power source to unit, unless test procedures require power to be connected. Discharge capacitor through a resistor before attempting to service. Ensure all ground wires are connected before certifying unit as repaired and/or operational.

Thermistor	Temperature sensing bulb changes resistance with change of temperature.	Check resistance vs. temperature. See chart: Resistance vs. Temperature Chart <table border="1" data-bbox="756 415 1377 848"><thead><tr><th>TEMPERATURE C</th><th>TEMPERATURE F</th><th>RESISTANCE (KOHMS)</th></tr></thead><tbody><tr><td>-15</td><td>5</td><td>11.350</td></tr><tr><td>-10</td><td>14</td><td>8.918</td></tr><tr><td>-5</td><td>23</td><td>6.700</td></tr><tr><td>0</td><td>32</td><td>5.630</td></tr><tr><td>5</td><td>41</td><td>4.520</td></tr><tr><td>10</td><td>50</td><td>3.652</td></tr><tr><td>15</td><td>59</td><td>2.970</td></tr><tr><td>20</td><td>68</td><td>2.430</td></tr><tr><td>25</td><td>77</td><td>2.000</td></tr></tbody></table>	TEMPERATURE C	TEMPERATURE F	RESISTANCE (KOHMS)	-15	5	11.350	-10	14	8.918	-5	23	6.700	0	32	5.630	5	41	4.520	10	50	3.652	15	59	2.970	20	68	2.430	25	77	2.000
TEMPERATURE C	TEMPERATURE F	RESISTANCE (KOHMS)																														
-15	5	11.350																														
-10	14	8.918																														
-5	23	6.700																														
0	32	5.630																														
5	41	4.520																														
10	50	3.652																														
15	59	2.970																														
20	68	2.430																														
25	77	2.000																														

Troubleshooting



WARNING

To avoid risk electrical shock, personal injury, or death, always disconnect electrical power source to the freezer before attempting to service, unless test procedures require power to be connected. When removing any wiring from terminals they must be replaced on the same terminals. Ensure all ground wires are connected before certifying unit as repaired and/or operational.

PROBLEM	CHECK	POSSIBLE CAUSE	REMEDY
Interior too cold or contents freezing.	Thermostat setting	Thermostat set to too cold of a setting for ambient conditions.	Adjust thermostat warmer setting (lower number on knob).
	The evaporator for the presence of a uniform frost pattern. Is the frost confined to left wing and the left side of the back? Note: Compressor should be operating for least 5 minutes with door open to perform this check.	Refrigerant leak or low refrigerant charge in the sealed system. Refrigerant volume in evaporator is not sufficient to cool the region of the plate where the evaporator plate sensing thermostat's thermo bulb mounts. Therefore the control thermostat never reaches its cutout temperature and the compressor operates 100% of the time. The remaining evaporator volume is sufficient to cool the air temperature below freezing.	Locate and correct cause of refrigerant leak. Replace drier, evacuate and recharge sealed refrigerant system with the proper amount of charge as listed on the unit's data plate.
	Thermostat (compressor control) thermo bulb mounting or routing.	Mounting location incorrect. Model should be on the right wing of the evaporator plate. All other models mount at the rear top center of the evaporator.	Relocate thermo bulb to proper location.
		Thermostat sensing tube (capillary tube) resting on or above compressor dome in mechanical compartment causing false sensing.	Reroute sensing tube clear of compressor dome area.
		Thermostat thermo bulb mounting bracket not secure, causing false sensing.	Securely tighten thermo bulb mounting bracket.
		Insufficient thermo bulb contact area on evaporator U-shaped loop with 3-inch long legs required. Bracket should be located at mid point of each 3-inch leg. Both legs secured under bracket.	Adjust thermo bulb contact area to achieve sufficient contact. A U-shaped loop with 3-inch long legs is required. The mounting bracket should be located at the mid-point of each 3-inch leg. Both legs secured under bracket.

Troubleshooting



WARNING

To avoid risk electrical shock, personal injury, or death, always disconnect electrical power source to the freezer before attempting to service, unless test procedures require

power to be connected. When removing any wiring from terminals they must be replaced on the same terminals. Ensure all ground wires are connected before certifying unit as repaired and/or operational.

PROBLEM	CHECK	POSSIBLE CAUSE	REMEDY
	Placement of glass shelves in cabinet interior.	Do not space the glass shelf out away from the molded in liner shelf supports on the back of the cabinet interior the cold air from the evaporator can be "trapped" above the shelf resulting in the area above the shelf becoming too cold and below too warm (This applies to models with glass shelves only).	Properly place the glass shelves in the unit. White rubber "shelf bumper" must be placed so as to create a air space gap between the rear edge of the glass shelf and the molded shelf supports on the back of the cabinet interior.
Interior too warm (compressor operates).	Thermostat	Thermostat set to too low (warm) of a setting.	Adjust thermostat to a colder setting (higher number on knob).
		Thermostat failed, cutting compressor off too soon.	Replace thermostat. Leak check the sealed. Refrigeration system. Locate and correct the source of the leak. Replace the drier and recharge to proper amount.
	The evaporator for the presence of a frost pattern. If frost <u>not</u> present with compressor operating.	Refrigerant leak.	Leak check the sealed refrigeration system. Locate and correct the source of the leak. Replace the drier and recharge to proper amount.
	High and low side pressures in the sealed system.	Compressor valve failure, preventing compressor from developing required refrigerant pressures for system operation.	Replace compressor and drier, evacuate and recharge with refrigerant to the proper amount.
Restriction in the sealed refrigerant system causing high compressor discharge pressures and low pressures or vacuum conditions on the suction side. Pressure does not equalize quickly when the compressor is turned off.		Locate the restriction and correct the cause. Evacuate, replace drier and recharge the sealed refrigeration system to the proper level.	

Troubleshooting



WARNING

To avoid risk electrical shock, personal injury, or death, always disconnect electrical power source to the freezer before attempting to service, unless test procedures require power to be connected. When removing any wiring from terminals they must be replaced on the same terminals. Ensure all ground wires are connected before certifying unit as repaired and/or operational.

PROBLEM	CHECK	POSSIBLE CAUSE	REMEDY
		Failed light activation switch not turning off light when switch is depressed.	Replace light activation switch.
		Wiring connection to or from light activation switch improperly wired bypassing switch.	Correct improper wiring connection.
		Door light activation switch over-ride switch in the "on" position permitting light to remain "on" with door closed. (Present on some but not all models).	Place over-ride switch in the "door" position. Verify light goes out.
	Condenser fan operation.	Condenser fan blade jammed against shroud or otherwise bound.	Correct loose or incorrect wiring connections.
		Wiring connection to and from fan motor, terminal block and thermostat loose or incorrect	Correct loose or incorrect wiring connections.
		Condenser fan motor failed	Replace condenser fan assembly.
Condenser airflow blocked or restricted.	Condenser air flow blocked by dirt, lint, trash, etc.	Clean condenser to restore airflow.	
	Airflow in or out of toe space grille restricted.	Clear restriction to airflow through toe space grille. No obstruction to air flow permitted in an area 3 feet out from the grille.	
Excessive frost build-up on evaporator (interior temperatures are normal and frost pattern is uniform).	Cabinet for proper sealing (absence of air leaks).	Exterior door of unit not hanging straight preventing proper gasket sealing.	Install door shim kit to correct hang of door.
		Door hinges bent	Install new hinge kit to correct hang of door. Door shims may also be required. See hinge and shim installation instructions.
		Air leaks at locations where refrigerant or thermostat line electrical wiring or thermostat capillary tubes enter cabinet interior.	Seal around these entry points with refrigeration putty (permagum) to eliminate air leaks.
		Door gasket torn or has lost magnetism.	Replace gasket if stiff, torn or has stiff, torn or weak magnetism.

Troubleshooting



WARNING

To avoid risk electrical shock, personal injury, or death, always disconnect electrical power source to the freezer before attempting to service, unless test procedures require power to be connected. When removing any wiring from terminals they must be replaced on the same terminals. Ensure all ground wires are connected before certifying unit as repaired and/or operational.

PROBLEM	CHECK	POSSIBLE CAUSE	REMEDY
Compressor, fan and interior light do not function.	Power supply	Unit not plugged into power outlet.	Plug unit into power Plug unit into power.
		Fuse or circuit breaker tripped.	Replace fuse. Reset circuit breaker. Correct power supply problem.
	Power cord and wiring connections within unit from power cord to thermostat and terminal block.	Loose or incorrect wiring connections at power cord, thermostat input or terminal block.	Correct loose or incorrect wiring connections.
Interior light functions but compressor will not run.	Compressor control thermostat.	Compressor control thermostat.	Replace compressor control thermostat.
		Wiring connections from compressor control thermostat to terminal block loose or incorrect.	Correct loose or incorrect wiring connections.
Compressor runs; fan does not run.	Fan motor and blade assembly.	Fan blade jammed by shroud, refrigerant line, mount bracket, foreign object, etc.	Free fan blade so fan operates freely.
		Fan motor failed	Replace fan motor.
		Connection loose or incorrect on wiring from fan motor to terminal block.	Correct loose or incorrect wiring connections.
Fan runs, but compressor does not run.	PTC starter	Failed PTC starter.	Replace PTC starter.
	Wiring PTC start to terminal start to terminal.	Loose or incorrect wiring connections at PTC starter to terminal block.	Correct loose or incorrect wiring.
	Compressor	Failed motor in compressor	Replace compressor
		Compressor cycled off on thermal overload protection.	Unplug unit. Allow compressor to cool 30-45 minutes. Plug unit in. If compressor starts, locate cause of thermal overload. May be power interruption, system restriction, high ambient temperature, or fan/condenser blocked.
Interior light will not turn off when door is closed.	Striker plate on bottom of door.	Striker plate not present or not positioned properly to depress light switch when door is closed.	Replace or install striker plate so light switch is depressed when door is closed.
	Light activation switch.	Failed light activation switch.	Replace light activation switch.

Troubleshooting



WARNING

To avoid risk electrical shock, personal injury, or death, always disconnect electrical power source to the freezer before attempting to service, unless test procedures require power to be connected. When removing any wiring from terminals they must be replaced on the same terminals. Ensure all ground wires are connected before certifying unit as repaired and/or operational.

PROBLEM	CHECK	POSSIBLE CAUSE	REMEDY
	Position of door light activation over-ride switch. Is it in the "on" position?	If over-ride switch is in the "on" position instead of the "door" position, the light will remain on with the door closed. This is intended for glass door viewing with door closed.	Place over-ride switch in the "door" position. Verify light goes out when door is closed by depressing light activation switch and confirming light goes out.
	Over-ride switch operation.	Failed over-ride switch.	Replace over-ride switch

Disassembly Procedures



WARNING

To avoid risk of electrical shock, personal injury or death; disconnect power to unit before following any disassembly procedures.

Replacing the Evaporator:

1. Disconnect power,
2. Remove the screws securing the evaporator plate.
3. Remove the machine compartment and rear panel at the rear of the unit.
4. Remove the putty from the opening in the rear of the liner.
5. Remove the three screws that secure the baseplate to the cabinet on the bottom of the unit.
6. Gently slide the mechanical out the rear of the unit just enough to gain access to the assembly.
7. Install the access valve and recover refrigerant. After recovering, be sure to cap off the access valve to prevent contamination of the system.
8. Remove the cap from the rear of the compressor.
9. Disconnect the PTC starter relay at the compressor by pulling off. You will not need to disconnect the three wires.
10. Un-braze and remove the capillary tube from the drier assembly.
11. Un-braze and remove the drier assembly at the condenser.
12. Un-braze and remove the suction line at the compressor.
13. Un-braze the discharge line at the compressor.
14. Remove the compressor by removing the two lock-nuts on the mounting plate of the compressor. Lift the compressor off of the carriage bolts.
15. Install the four rubber grommets in the bottom of the new compressor and install the two sleeves where the carriage bolts will be located. Mount the new compressor and install the two washers and lock-nuts and tighten to 45 in-lb.

Note: Do not remove the rubber plugs at the tube stubs on the compressor at this time.

16. Remove the insulation tube on the evaporator tubing harness.
17. Remove the evaporator from the front of the unit. The evaporator will need to be tilted 90 degrees down and the tubing harness with the accumulator will fit through the opening in the liner.

Installation:

Reverse the removal instructions for installation. Remove the plugs from the compressor right before brazing. Make certain that the suction line and tubing harness insulation tube are installed and sealed. Also, check the thermistor to make sure it has full contact and is secure. Be sure to check for leaks and evacuate to 50 microns.

Compressor Removal:

1. Disconnect power.
2. Remove the machine compartment and rear panel at the rear of the unit.
3. Remove the three screws that secure the baseplate to the cabinet on the bottom of the unit.
4. Gently slide the mechanical out the rear of the unit just enough to gain access to the compressor assembly.
5. Install sealed system access valve(s) and recover refrigerant. After recovering, be sure to cap off the access valve to prevent contamination of the system.
6. Remove the cap from the rear of the compressor.
7. Disconnect the PTC starter relay at the compressor by pulling off. You will need to disconnect the three wires from the old PTC starter and then connect the new one.
8. Un-braze and remove the capillary tube from the drier assembly.
9. Un-braze discharge tube from compressor at the compressor.
10. Un-braze and remove the drier assembly from condenser out tube.
11. Un-braze and remove the suction line at the compressor.
12. Remove the compressor by removing the two lock-nuts on the mounting plate of the compressor. Lift the compressor off of the carriage bolts.

Compressor Installation:

1. Install the four rubber grommets in the bottom of the new compressor and install the two sleeves where the carriage bolts will be located. Mount the new compressor and install the two washers and lock-nuts and tighten to 45 in-lb.

Note: Do not remove the rubber plugs at the tube stubs on the compressor at this time.

2. Install and braze the new drier assembly to the condenser. Then install and braze the capillary tube and the discharge out.
3. Remove the plug for the discharge line at the compressor. Install and braze the discharge line to the compressor.
4. Remove the plug for the process tube on the compressor. Install and braze in the process tube. Be sure to cap off the end to prevent any contamination.
5. Remove the plug for the suction line on the compressor. Install and braze in the suction line from the evaporator. Be sure to also reinstall the suction line and tubing harness insulation tubes.
6. Reinstall PTC starter and wire according to wire diagram.
7. Reinstall compressor cap.

Disassembly Procedures



WARNING

To avoid risk of electrical shock, personal injury or death; disconnect power to unit before following any disassembly procedures.

Condenser Removal:

1. Disconnect power.
2. Remove the machine compartment panel.
3. Remove the three screws that secure the baseplate to the cabinet on the bottom of the unit.
4. Gently slide the mechanical out the rear of the unit enough to gain access to the condenser coil and fan shroud.
5. Install sealed system access valve(s) and recover refrigerant. After recovering, be sure to cap off the access valve to prevent contamination of the system.
6. Remove the fan by removing the screws on the fan mounting bracket at the baseplate. The fan wire leads can be left connected. Set the fan assembly to the side of the machine compartment.
7. Un-braze the capillary tube from the drier assembly.
8. Un-braze and remove the drier assembly.
9. Un-braze the discharge line from the compressor at the top of the condenser coil.
10. Remove with electric drill rivets holding condenser to baseplate.

Condenser Installation:

Reverse the removal procedure. Be sure to evacuate to 50 microns before weight charging. If contamination was found or determined, the evaporator should also be replaced at this time.

Condenser Fan Removal:

1. Disconnect power.
2. Remove the machine compartment panel.
3. Remove the three screws that secure the baseplate to the cabinet on the bottom of the unit.
4. Gently slide the mechanical out the rear of the unit enough to gain access to the condenser fan.
5. Remove the screws that secure the condenser fan.
6. Disconnect the neutral white wire lead (black ribbed wire) at the terminal block and the hot wire lead (black smooth wire) at the electronic control.
7. Remove the condenser fan.

Condenser Fan Installation:

Reverse the removal procedure for installation.

Evaporator Thermistor Removal:

1. Disconnect power, water line, and drain line.
2. Remove the machine compartment panel and rear panel from the rear of the unit.
3. Disconnect the red and black wires to the "EVAPORATOR THERMISTOR" terminals on the electronic control.
4. Remove the evaporator thermistor by removing the screw securing it.
5. Feed the thermistor's wire out through the opening in the rear of the unit.

Evaporator Thermistor Installation:

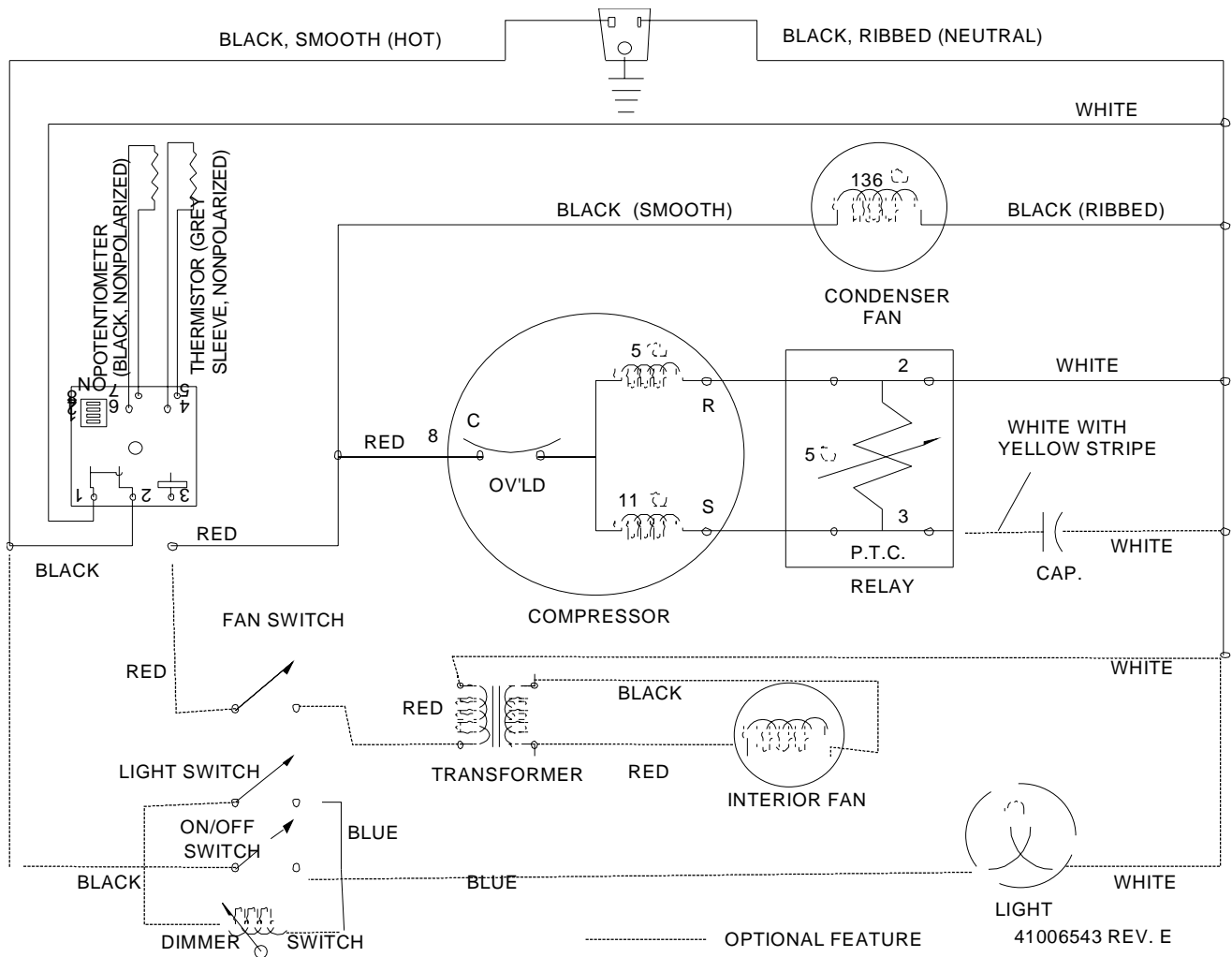
Reverse the removal procedure for installation. Be sure to thoroughly tighten the thermistor's screw for proper bracket to thermistor contact.

Wiring Diagram and Schematic

WARNING

To avoid risk of electrical shock, personal injury, or death, disconnect power to freezer before servicing, unless testing requires it. Wires removed during disassembly must be replaced on proper terminals to insure correct grounding and polarization.

CAUTION High Voltage



Appendix A

JENN-AIR WINE CHILLER

OWNER'S GUIDE

TABLE OF CONTENTS

Introduction.....	1
Safety	2
Installation.....	3-11
Operation.....	12
Features	13
Care and Cleaning.....	14
Before Calling for Service	15
Warranty.....	17
Guide du propriétaire	18
Guía del Propietario.....	35



Introduction

Congratulations on the purchase of a Jenn-Air Refrigerated Wine Chiller.

We appreciate your purchase decision and feel confident you will be happy with this appliance for years to come. For best results, please read this guide carefully. You will find instructions on the proper operation and maintenance.

Should you ever need our future assistance with your wine chiller, a complete model and serial number recorded in the spaces below will be extremely helpful. These numbers are found on a data plate inside the wine chiller located on the upper left side.

Model Number _____

Serial Number _____

Purchase Date _____

Dealer Name _____

Dealer Address _____

Dealer Phone _____

What You Need to Know About Safety Instructions

Warning and Important Safety Instructions appearing in this manual are not meant to cover all possible conditions and situations that may occur. Common sense, caution and care must be exercised when installing, maintaining or operating appliance.

Always contact your dealer, distributor, service agent or manufacturer about problems or conditions you do not understand.

Before Calling for Service . . .

If something seems unusual, please check the “Before Calling For Service” section, which is designed to help solve basic problems before calling a servicer.

What if These Features are Different from Mine?

This book is intended to show the variety of features that are available in the product line. If you have questions, write us (include your model number and phone number) or call:

Jenn-Air Customer Assistance
P.O. Box 2370
Cleveland, TN 37320-2370
U.S.A and Canada 1-800-JENNAIR
(1-800-536-6247)
1-800-688-2080 (U.S.A. TTY for hearing
or speech impaired)
(Mon.-Fri., 8 a.m.-8 p.m. Eastern Time)
Internet: <http://www.jennair.com>

Recognize Safety Symbols, Words, Labels

DANGER

DANGER – Immediate hazards which **WILL** result in severe personal injury or death.

WARNING

WARNING – Hazards or unsafe practices which **COULD** result in severe personal injury or death.

CAUTION

CAUTION – Hazards or unsafe practices which **COULD** result in minor personal injury.

Important Safety Instructions

⚠ WARNING

- When using your appliance, always follow basic precautions.

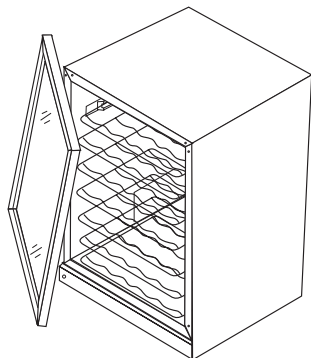
- Use the wine chiller only for its intended purpose.

NOTE: This product is not intended for food storage.

- To prevent possibility of hazard due to electrical shock, never plug the wine chiller into a receptacle which has not been grounded adequately and in accordance with the local and national electrical codes. See ⚠ warning and the grounding instructions that follow.
- Disconnect the power cord to the wine chiller before cleaning, servicing or replacing a light bulb.
- In case of power failure, minimize door openings.
- Any electrical service cord that becomes frayed or damaged should be immediately repaired or replaced. Never unplug your appliance by pulling on the power cord.
- To prevent fire hazard, your wine chiller should not be operated in the presence of gasoline or other flammable vapors and liquids.
- To prevent injury, children should not climb, hang or stand on this wine chiller.

IMPORTANT: Child entrapment and suffocation are not problems of the past. Junked or abandoned refrigeration products are still dangerous...even if they will sit for "just a few days." If you are getting rid of your old refrigeration products, please follow the instructions below to help prevent accidents.

- Take off the doors.
- Leave the shelves in place so that children may not easily climb inside.



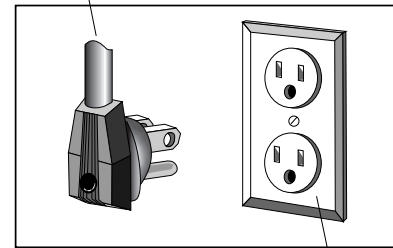
⚠ WARNING

- This appliance is designed to operate on a normal 115 volt, 15 amp, 60 cycle line. There should be a separate, grounded circuit serving this appliance only. Do not use an extension cord. Do not use any device that will alter the electrical performance of this appliance.

This appliance is equipped with a three-pronged grounding plug for your protection against possible electrical shock hazards. It must be plugged into a grounding receptacle. Where a standard two-prong wall receptacle is encountered, it is the personal responsibility and obligation of the customer to have it replaced with a properly grounded three-prong wall receptacle. Do not under any circumstances, cut or remove the third (ground) prong from the power cord.

Do not use an adapter plug.

Power supply cord with three-prong grounding plug



Grounding type wall receptacle

⚠ WARNING

- This wine chiller should not, under any circumstances, be ungrounded.

Save These Instructions For Future Reference

Installation

Materials Needed

- 1/8" Allen wrench
- 5/16" socket
- Phillips screwdriver
- Putty knife
- Carpenter's level

Select Location

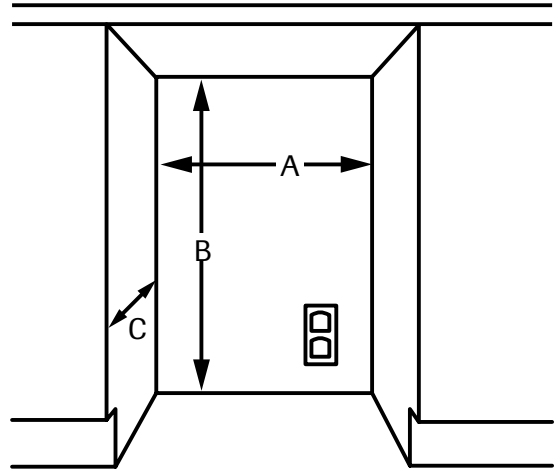
The wine chiller was designed to be installed under the counter. Its proper location will ensure peak performance. Choose a location indoors, away from heat and out of direct sunlight. Best performance will be maintained when installed within the following parameters:

Ideal Ambient Temperature Range

Built-In 65 - 80° F
(18 - 27° C)

Provisions for electricity should be determined before placing the wine chiller in its final location (see page 2).

Cabinet Cutout Dimensions



UNDER COUNTER CUTOUT	
A	24" (61.0 cm)*
B	Min. 34½" (87.6 cm) Max. 35¼" (89.5 cm)
C	24⅞" (61.27 cm)

* If door is recessed between cabinets, cabinet cutout must be 24¼" (61.6 cm) in width.

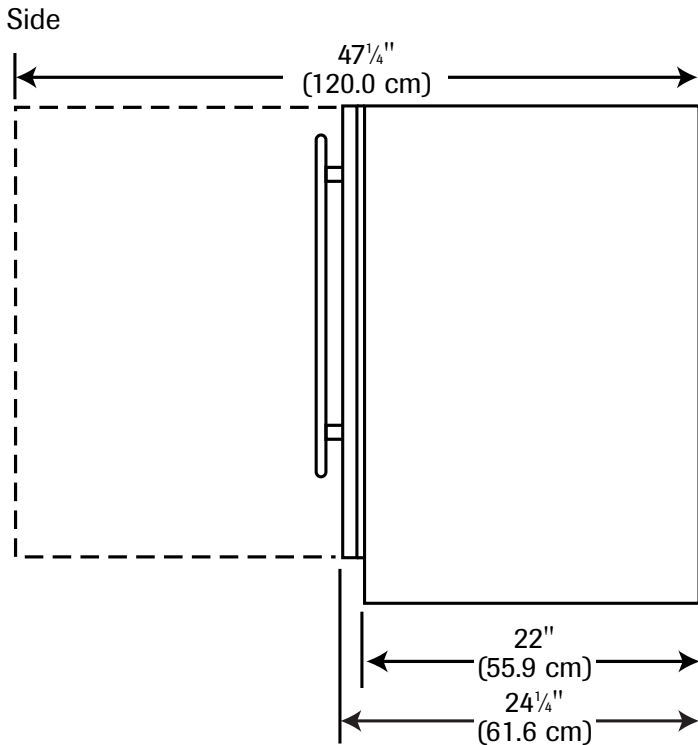
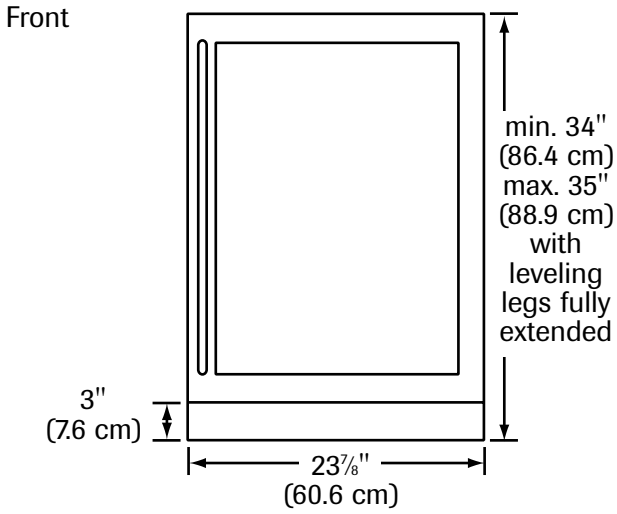
Cabinet Clearance

Ventilation is required from the bottom front section of the wine chiller. Keep this area open and clear of any obstructions.

The adjacent cabinets and counter top can be built around the wine chiller as long as no top trim or counter top is installed lower than the top of the hinge.

Installation should allow for the wine chiller to be moved if service is ever required.

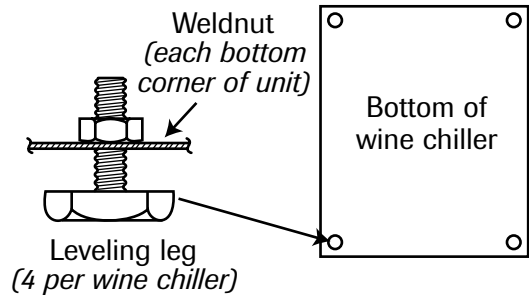
Dimensions



Leveling Legs

Install leveling legs (located in literature pack):

- With at least two people, tip wine chiller backwards until there is approximately 12" (31 cm) of clearance between the floor and the wine chiller.



- Screw one front leveling leg into the screw impression found in each corner. Leveling legs should be screwed in until snug.
- Repeat the above procedures to install the rear leveling legs.

⚠ WARNING

- To prevent injury, one person should not attempt to tilt the wine chiller by himself. Have someone else assist to prevent the wine chiller from falling during leveling leg installation.

⚠ CAUTION

- The wine chiller should remain upright at least 30 minutes prior to plugging it in.

Level the Wine Chiller

Using a carpenter's level, check to be sure the wine chiller is level from side to side and from front to back. Leveling adjustments can be made by turning the leveling legs counter-clockwise to increase height and clockwise to reduce height.

NOTE: The wine chiller should not wobble. Use shims to add stability when needed.

Installation, cont.

Reversing the Glass Door

⚠ WARNING

- To avoid electrical shock which can cause personal injury or death, disconnect power to the wine chiller before reversing the door.

The wine chiller door can have a left or right hand swing. Typically the door is installed on the wine chiller with a right hand swing configuration. To change to a left hand swing, follow the instructions listed below.

Materials Needed

- $\frac{1}{8}$ " Allen wrench
- Phillips screwdriver with magnetic tip
- Needle-nose pliers
- $\frac{5}{16}$ " nut driver
- Small flat-blade screwdriver

Black or white framed model:

- 15 mm deep-well socket and wrench

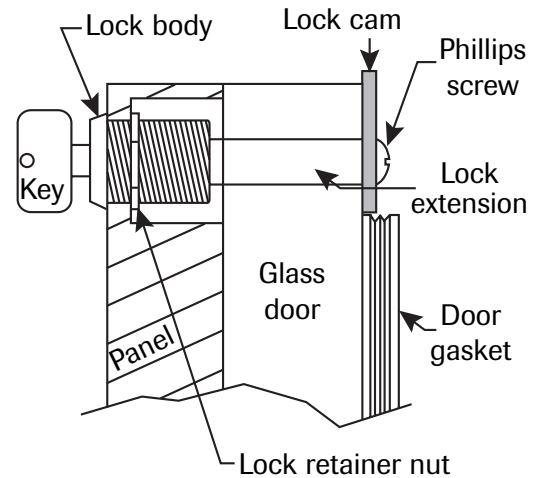
Custom wood frame or stainless steel frame overlay model:

- 15 mm open-end wrench

1. Note the thermostat control knob setting so you can reset the thermostat knob to its proper setting after the door reversal is complete.
2. Turn the thermostat control knob counterclockwise until the "OFF" setting is at the 12:00 position. The wine chiller's refrigeration system will shut off.
3. Using the $\frac{1}{8}$ " Allen wrench, remove the screw from the top hinge of the wine chiller. Be sure to support the door so that it does not fall. Lift the door gently up and away from the bottom hinge.
4. Lay the glass door face down on a smooth, non-abrasive surface protected by towels or rugs to avoid accidental damage.
5. Using the $\frac{5}{16}$ " nut driver, remove the $\frac{5}{16}$ " hex head screws which are holding the top and bottom hinges. Set screws and hinges aside for later.
6. Using the Phillips screwdriver, remove the Phillips head hinge pin from the bottom hinge. Set the hinge, hinge pin and plastic washer aside for later.

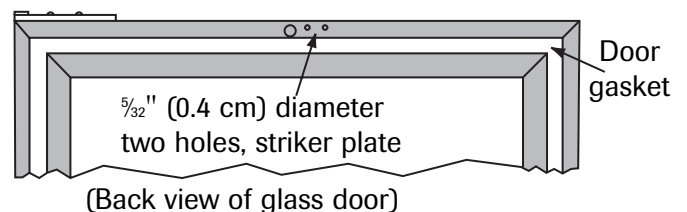
For custom wood frame model, skip to step 12.

7. Pull the door gasket out of the door's back frame, enough to allow access to the screw holes and the back of the door lock.



8. Using the Phillips screwdriver, remove the Phillips screw at the end of the door lock. Set the Phillips screw lock washer, lock cam and lock/cam extension pieces aside for later.
 9. *Stainless steel frame overlay model only:* Remove the ten screws that secure the stainless steel frame overlay to the glass door. Set the screws aside for later.
 10. *Black or white framed model:* Use the 15 mm deep-well sock and wrench.
Stainless steel frame overlay model: use the 15 mm open-end wrench.
- Loosen the retaining nut that secures the lock to the door frame. If the nut falls back into the door frame, use the needle-nose pliers to retrieve it and set the nut aside for later.
11. Gently lift the door end up where the lock is currently located and let the lock fall out and away from the door. Set the lock aside for later.
 12. Using the Phillips screwdriver, remove the two screws holding the light striker plate to the back side of the door.

The following graphic shows the striker plate hole locations when changing to a left hand door swing. Remove the light switch striker from the bottom of the right hand swing door and install the striker plate in the holes as shown.



13. Relocate the light striker plate to the opposite end of the door, lining up the two holes in the striker plate, with the two holes at the opposite center of the door. Remove the two hole plugs (select models) and resecure the striker plate with the two screws.

For custom wood frame model, skip to step 21.

14. Lift the door or stainless steel frame overlay end up, opposite of where the door lock was previously located and insert the lock from the front side. Hold the lock in place and gently lower the door or stainless steel frame overlay back down.

Black or white framed model: Use the 15 mm deep-well socket and wrench.

Stainless steel frame overlay: 15 mm open-end wrench.

Reassemble the door lock's retaining nut to the lock. Follow step 15 before tightening the door lock's nut.

15. Reassemble the Phillips screw, lock washer and lock cam back into the lock in the order they were removed. Position the door lock's cam so that it projects upward from the top of the door. Make sure the key slot on the front is aligned vertically, from top to bottom. Lightly tighten the Phillips screw to secure the lock assembly. Now tighten the door lock's retaining nut.

Stainless steel frame overlay model: Now tighten the retaining nut.

Black or white framed model: Mark the alignment of the door lock and then remove the Phillip's screw and lock cam. Now tighten the retaining nut, then reassemble the lock cam and Phillip's screw.

Steps 16 – 19 are needed for stainless steel frame overlay model only. If reversing the door on a black or white framed model, skip to step 20.

16. Using the Phillips head screwdriver, remove the door lock's Phillips screw at the end of the door lock's extension and remove the lock cam. Set the lock cam aside for reassembly later. Resecure the lock extension to the lock with the Phillips screw.
17. Lay the stainless steel frame overlay face down on a smooth surface. Align the glass door directly over the stainless steel frame overlay so that the lock extension will go through the hole in the glass door that is on the opposite end of where the lock was originally located. Look for the mounting

holes in the glass door and align these holes with the threaded weld nuts in the overlay. Use the ten screws removed in step 9 to resecure the stainless steel frame overlay to the glass door.

18. Remove the door lock's Phillips screw and reassemble the lock cam to the lock extension and resecure.
19. Check to see that the lock easily turns a quarter turn from vertical to horizontal.
20. Reinstall the door gasket by pressing it back into the door channel. Make certain the door gasket is secure and sealed. If necessary, use the small flat-blade screwdriver to help push the arrowhead, section of the door gasket into the gasket channel.
21. Locate the two hinges that were removed from the right-hand side of the wine chiller. Insert the hinge pin screw into the hinge that was on top and tighten securely. This hinge will be the bottom hinge on the left side of the cabinet.
22. Remove the six plastic hole plugs from the left hand side hinge mounting holes.
23. Using the $\frac{5}{16}$ " nut driver, mount the hinges on the left side of the wine chiller using the six set-aside $\frac{5}{16}$ " hex screws. Tighten screws securely.
24. Install custom wood frame panel (select models, refer to page 7).
25. Gently lift the door up and place the door on the bottom hinge/hinge pin assembly. Make sure the plastic washer is installed on the bottom hinge before placing the door on it.
26. Using the $\frac{1}{8}$ " Allen wrench, secure the door to the top hinge with the Allen hinge pin screw.
27. Make certain that the door swings freely, the door gasket seals properly and the interior light goes on and off as the door opens and closes.
28. Confirm that door lock turns a quarter turn from vertical to horizontal and that this locks the door closed.
29. Replace all hole plugs.
30. Reconnect the power to the wine chiller. Return the control knob to its previous setting.

Installation, cont.

Prepare the Custom Door Wood Frame

Custom Handle

1. A custom handle (not supplied) must be installed.
2. Drill pilot holes through the custom panel to match the handle. Countersink the holes in the back of the panel.
3. Attach the custom handle to the front door panel assembly.

NOTE: The custom handle screws should be installed through custom panel and into the custom handle. The screw heads should be countersunk so the inside panel surface can be installed flush with the wine chiller door.

Door Wood Frame Dimensions

Overall width:.....23⁷/₁₆" (59.5 cm)

3¹/₂" (8.9 cm) toe kick height:30⁵/₁₆" (77 cm)

4" (10.2 cm) toe kick height:29¹³/₁₆" (75.7 cm)

Door frame minimum width

to cover door extrusion:.....1²³/₃₂" (4.4 cm)

Thickness:.....⁵/₈" to ³/₄" (1.6 to 1.9 cm) maximum

Wood Screws

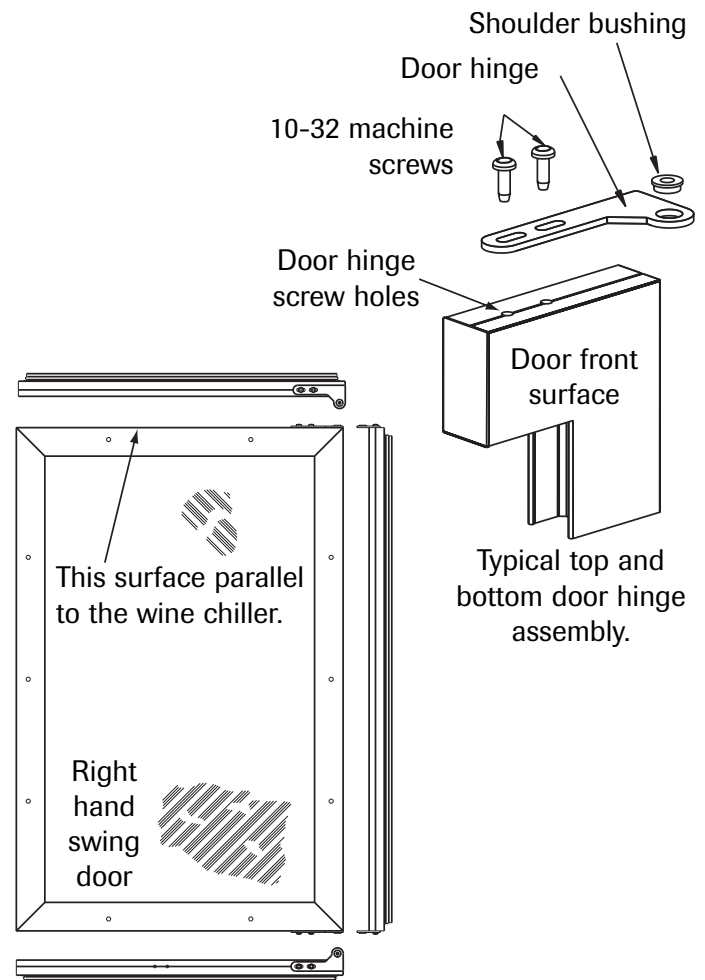
1. #8 pan head wood screws are recommended to properly secure the custom wood panel to the wine chiller door.
2. A total of ten screws will be needed for a 3¹/₂" (8.9 cm) toe kick or eight screws for a 4" (10.2 cm) toe kick.
3. Use only pan head screws.
4. Be sure the screw length is **NOT** longer than the wood thickness at the screw locations.
5. Use the following pilot hole drill sizes for the frame material.

Type of Wood	Pilot Hole Drill Size for #8 Pan Head Wood Screws
Hardwood	³ / ₃₂ " (0.24 cm)
Softwood	⁵ / ₆₄ " (0.20 cm)

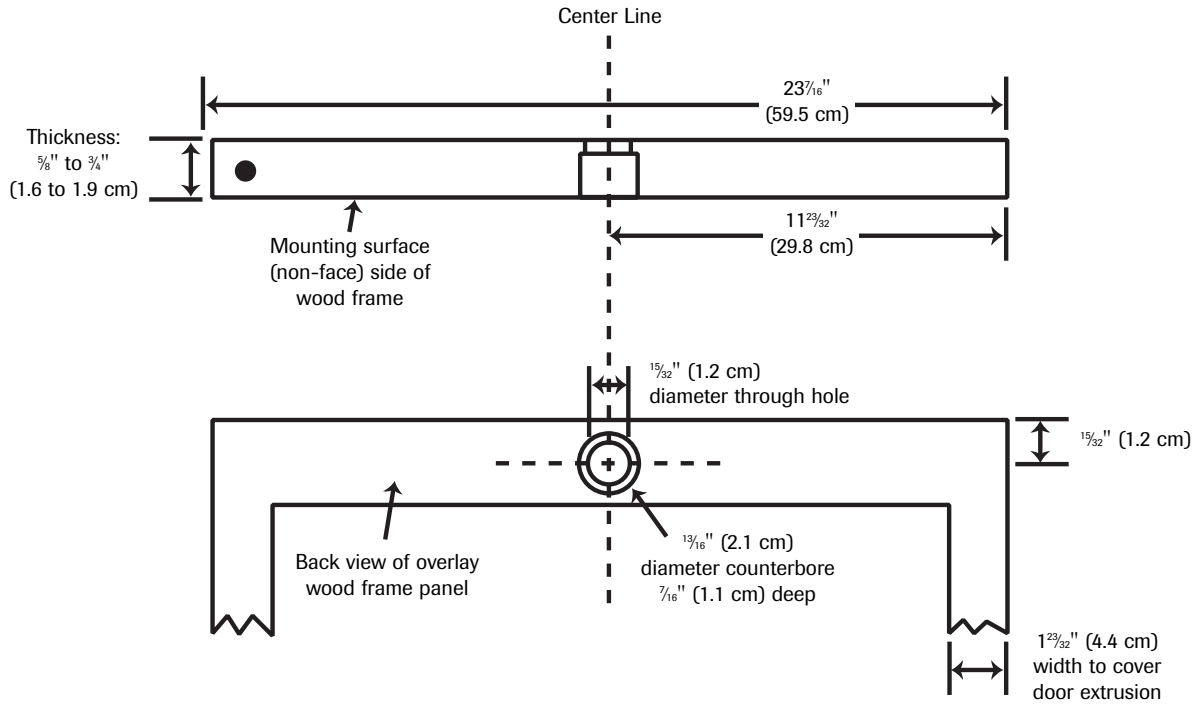
Assemble Door Hinge Brackets

NOTE: Skip this step if hinges are already attached.

1. Attach the top and bottom door hinges to the door with the 10-32 machine screws and a ¹/₈" Allen head driver as shown in the following figure.
2. Press in the shoulder bushings to the top and bottom door hinges. Make certain that the shoulder is to the outside of the door as shown in the following figure.
3. Test fit the door to the wine chiller to make certain door will hang correctly. The door is hung correctly when the top of the door is parallel to the top of the wine chiller. Adjustments can be made by loosening the door hinge machine screws and moving the door hinge on the door.
4. Tighten all four machine screws after adjustments have been made.
5. Remove the door from the wine chiller by removing the top hinge set screw and angling the door off the bottom hinge pin.

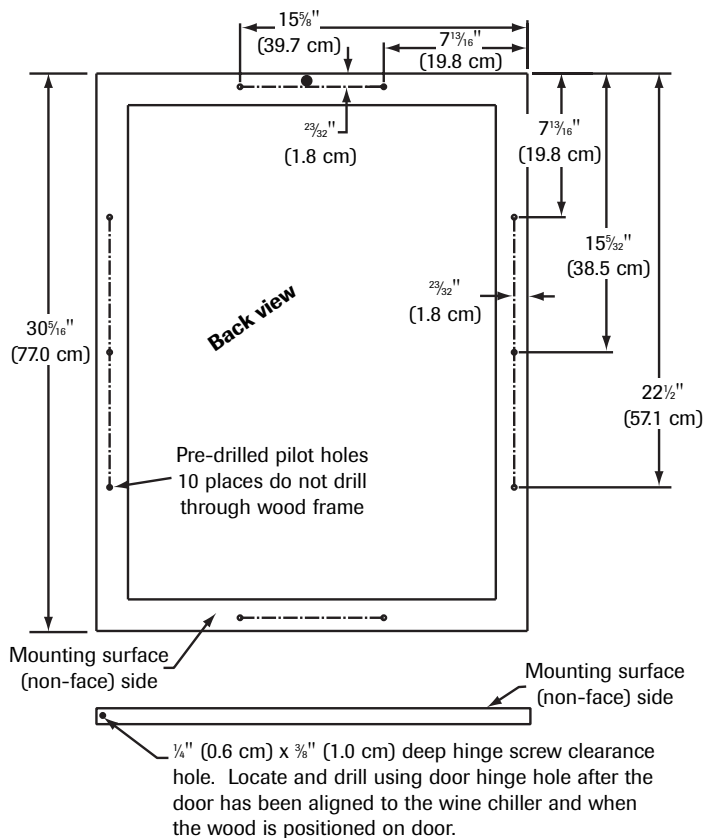


Lock Hole Detail

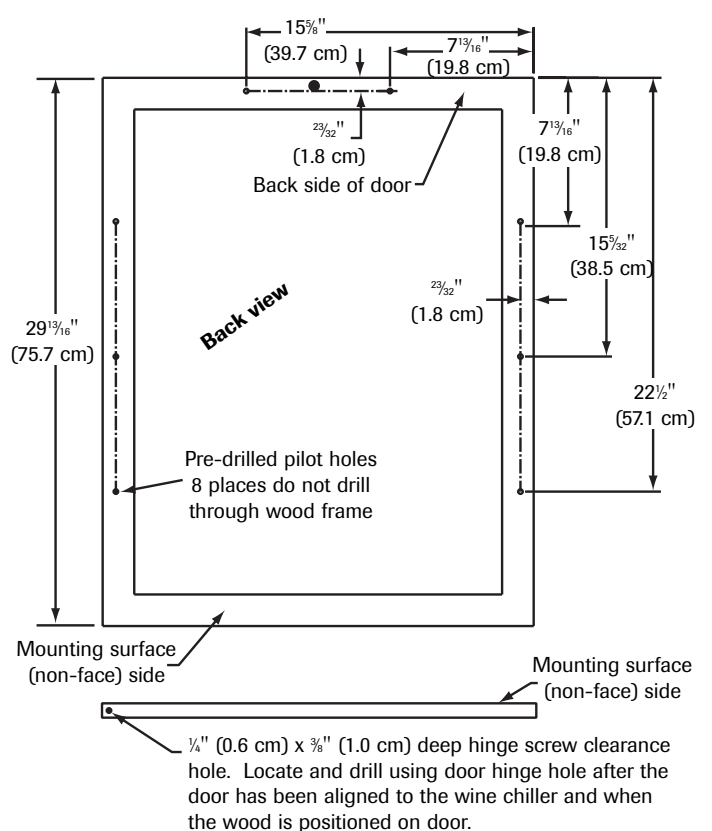


Prepare the Wood Frame

For a $3\frac{1}{2}$ " (8.9 cm) toe kick
(covers the entire door extrusion)



Optional for a 4" (10.2 cm) toe kick
(to match existing cabinetry toe kick height)



Installation, cont.

Attach the Wood Panel to the Wine Chiller Door

⚠ WARNING

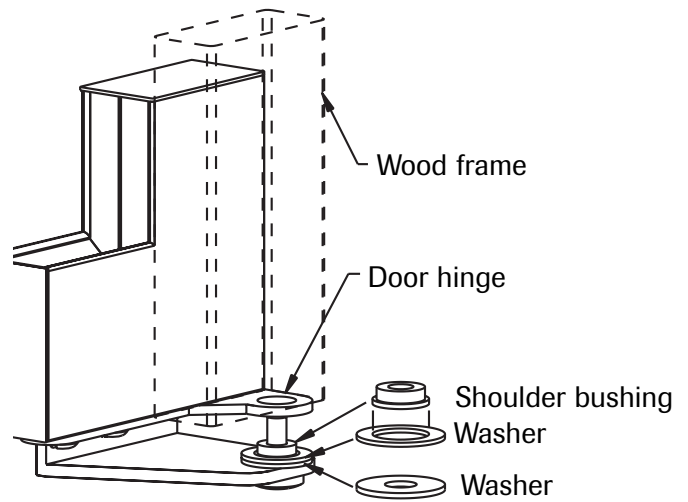
- To avoid electrical shock which can cause severe personal injury or death, disconnect power to wine chiller before installing wood frame.

⚠ CAUTION

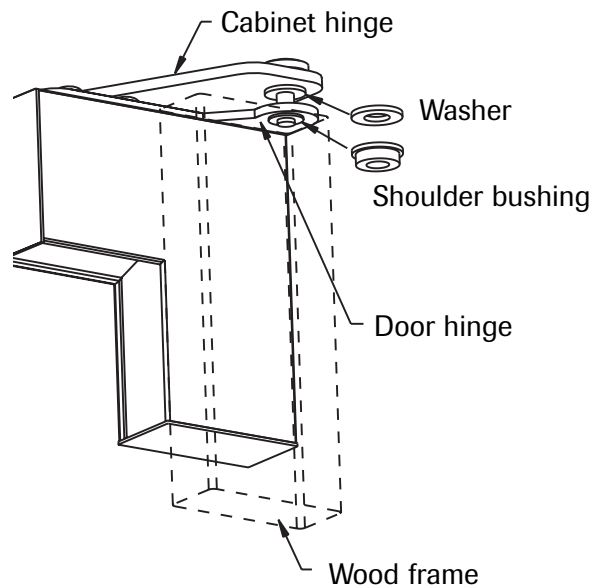
- Door can become disengaged if washers are not installed.
- Door may not swing properly if all nylon components are not installed as shown.

1. If the door is attached to the wine chiller, remove it by unscrewing the top Allen head set screw at the top hinge. Remove the door by angling the door off of the bottom hinge pin.

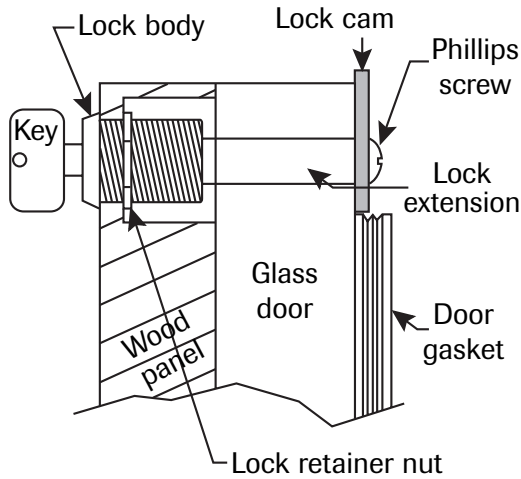
Bottom Hinge Corner



Top Hinge Corner

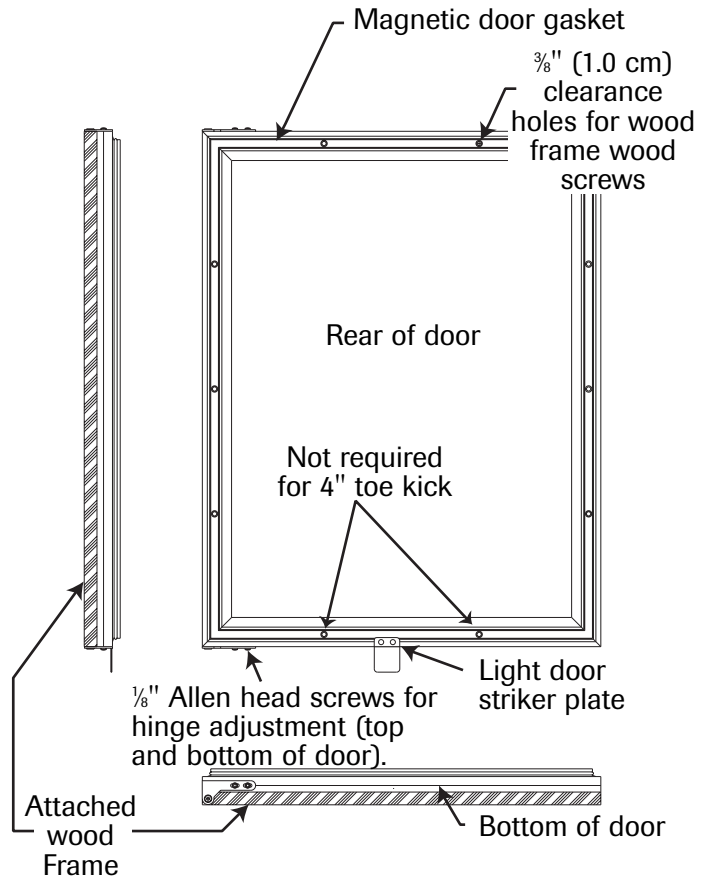


2. Install the supplied lock body into the wood panel. The lock and key assembly is supplied with your wine chiller. Secure the lock body by using the supplied 15 mm lock retaining nut and screwing it on the lock body's threaded section. Make sure that the lock's key slot is vertical, then tighten the 15 mm nut with a 15 mm deep-well socket.



3. Peel back door gasket on the glass door to provide access to the screw holes used to mount the wooden frame and the hole for the lock's extension section at the top of the door.
4. Place the custom wood panel on a non-abrasive surface, protected by towels or rugs, to avoid accidental damage to the door finish.
5. Set the wood frame flush to the front of the door in the desired location clamp wood frame to the door if necessary. Check to see that the back of the lock in the wood frame lines up with the hole in the door.
6. Insert the wood screws through the back of the door into the pilot holes in the wood frame and tighten.
7. Assemble the door lock Phillips screw, lock extension, lock cam and mount them to the back of the lock body. Position the door lock cam so that it projects upward from the top of the door. Tighten the Phillips screw to secure the lock assembly.

8. Reinstall the door gasket by pressing into door channel. Make certain the corners are inserted fully. Insert the key into the lock and make sure the lock operates properly.
9. Install the door to the wine chiller. Use the washers (if provided) as shown on page 9.
10. Realigning the door may be necessary. Final door adjustments can be made using a $\frac{1}{8}$ " Allen wrench to adjust the door hinges (see figure below).
11. Attach the door to the wine chiller by reversing step number one above.
12. Make certain that the glass door swings freely, the door gasket seals properly and the interior light goes on and off as the door opens and closes.
13. Confirm that door lock turns a quarter turn from vertical to horizontal and that this locks the door closed.
14. Reconnect the power to the wine chiller. Return the control knob to its previous setting.



Installation, cont.

Wine Racks

The wine chiller features slide out racks at the mid and lower level. The upper two racks are fixed.

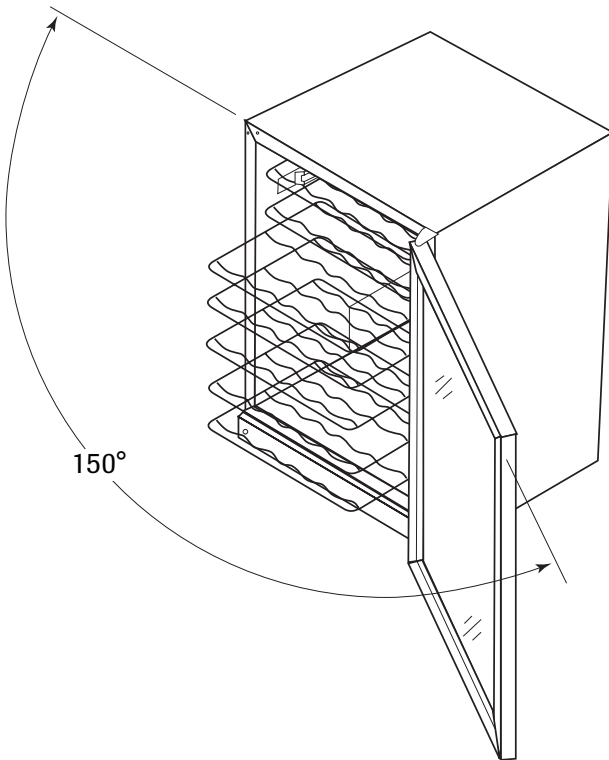
To be able to pull the wine racks out from the wine chiller, the door from a closed position must be opened a minimum of 150°.

Verify before completing installation of your wine cooler at it's proposed location will allow the door to open sufficiently so that the wine racks can be pulled out, if desired. As a possible solution, reversing the door swing may provide enough door swing to pull out the wine racks.

You may also alleviate the door swing situation, by keeping the wine chiller's door pulled out further than the cabinet fronts.

⚠ CAUTION

- Do not attempt to remove a rack while it has wine bottles stored. Always empty the rack prior to removing it from the cabinet.

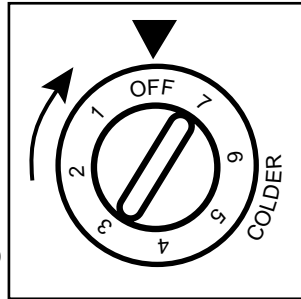


Operation

1. Setting the Control:

The available settings of 1 through 7 provide a temperature range in the wine chiller from the low forties to the mid sixties.

Use a coin to initially turn the control clockwise to the middle thermostat setting (4). Allow at least 48 hours for the wine chiller to stabilize before making any adjustments to the initial setting.



The mid setting on the control (4) provides approximately 55° F (13° C) which is the appropriate temperature for long term storage of all types of wine.

The coldest setting (7) provides a storage temperature of approximately 45° F (7° C) which is the serving temperature for white wine.

The temperature can be adjusted by turning the control clockwise for a colder temperature or counterclockwise for a warmer temperature.

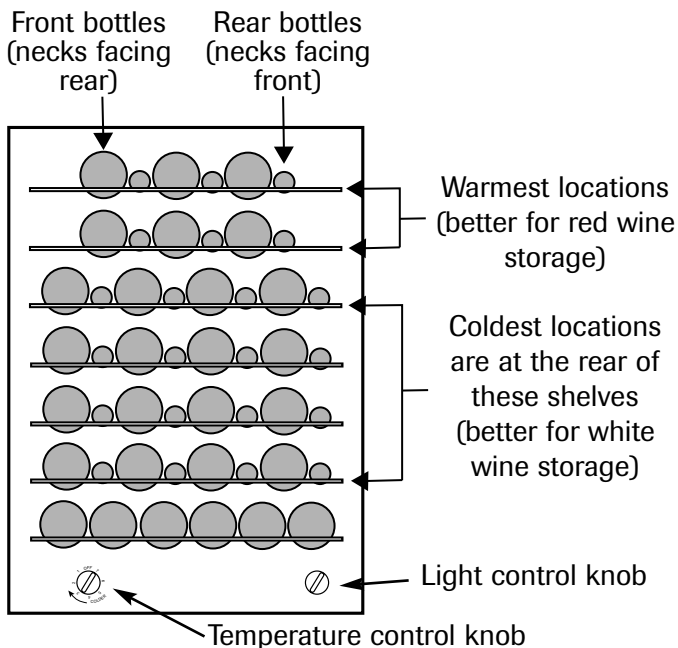
2. Insert Wine Bottles: The top two racks each hold six bottles, with the necks alternating front (rear bottles) to back (front bottles). The middle four racks each hold eight bottles, with necks alternating front (rear bottles) to back (front bottles). The bottom rack holds six bottles and are loaded with necks facing the rear. Tall bottles should not be loaded on the bottom rack because they may prevent the door from closing.

Loading Tips and Suggestions:

1. As with most refrigeration products, there is a slight temperature variance at different locations within the wine chiller.

The coolest areas will be at the rear of the four middle racks. The front locations on these racks are generally a few degrees warmer than the rear locations.

The overall warmest storage location in the wine chiller will be the upper two racks. This location in the wine chiller is approximately 3° to 7° F (-1.5° to -4° C) warmer.
2. Position white wines on the middle or lower racks and red wines on the upper racks.
3. Turn off the light when it is not needed, as bottles directly under the light will be exposed to a slightly higher temperature when the light is on.
4. Place wines that are being stored for aging or long term at the rear of the racks.
5. Place wines that will be used sooner on the front half of the racks where labels are more readily visible.
6. Magnums and other large bottles can be stored on the upper right and left positions of the wine chiller or on any of the middle racks, by removing the rack directly above them.



Features

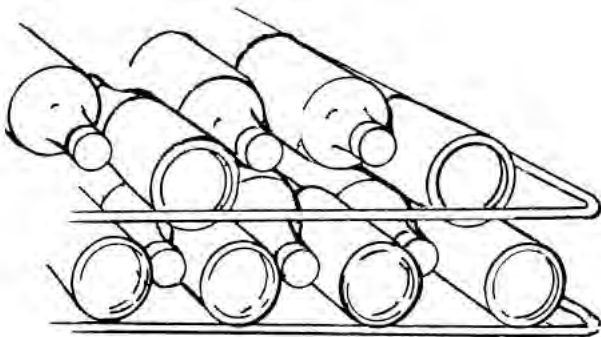
- **Adjustable Temperature Control:** The temperature control is adjustable from the low forties to the mid sixties. The temperature range allows flexibility for storage temperature preferences and accommodates storage of a variety of red, white and sparkling wines.
- **Interior Light:** The light control knob is located on the lower right front of the wine chiller, in the toe kick area.

The light automatically illuminates to full intensity any time the door is opened, to make it easier to view the wine labels.

To view the display of your wine collection, while the door is closed, turn the light control knob (see page 12).

NOTE: When the knob is turned fully counter-clockwise, the light is off when the door is closed. In the full clockwise position, the light remains on continuously. The knob can be set at any position in between to achieve the desired level of light intensity. The dimming feature only affects the light when the door is closed. The light is always at full intensity when the door is open.

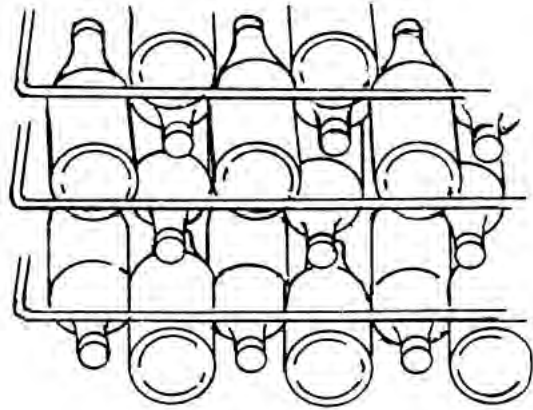
Remember to turn off the light when it is no longer needed.



- **Pull-out Racks:** The middle four racks may be pulled out approximately 6" (15 cm) to facilitate adding or removing bottles

⚠ CAUTION

- Do not attempt to remove a rack while it has wine bottles stored. Always empty the rack prior to removing it from the cabinet.



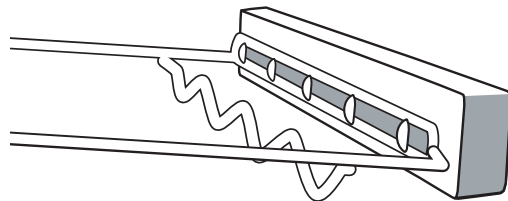
- **Single Bottle Racks:** Because bottles are not stacked on top of each other, you can easily view and access your inventory without disturbing other bottles.
- **Lock:** To secure your wine collection, the wine chiller can be locked. Use the ejectable key that has been shipped with your appliance to securely lock the door.

NOTE: Lock is designed so key cannot stay inserted into the lock.

- **Wood Rack Fronts:** There are four unfinished solid maple rack fronts packed with your wine chiller. These can be finished to match the surrounding cabinetry in your home. Follow the finishing instructions provided by the stain manufacturer.

NOTE: In many cases stains and/or finishes have odors that may be objectionable in an enclosed area.

To Install: Place one rack front on each of the middle four racks. Align the holes in the wood up to rack front and gently tighten down.



Care and Cleaning

Cleaning

⚠ WARNING

- To avoid electrical shock which can cause severe personal injury or death, disconnect power to the wine chiller before cleaning.

- **Condenser:** The condenser tubing inside the wine chiller does not require frequent cleaning; however, satisfactory cooling depends on adequate ventilation over the coils. Be sure that nothing obstructs the required air flow openings in front of the wine chiller. At least twice a year brush or vacuum lint and dirt from the condenser for efficient performance by unscrewing the grille on the bottom front of the wine chiller.
- **Wine Chiller:** The painted cabinet can be washed with mild detergent and water and thoroughly rinsed with clear water. Never use abrasive scouring powders.
- **Stainless Steel Door Frame:** Use a soft cloth or sponge and wipe with the grain of the stainless steel. Use mild detergent and water for light soil, Bon Ami* for more moderate soil and Cameo Stainless Steel Cleaner* for discoloration. Do not use chlorine bleach or products containing chlorine bleach on stainless steel.

After cleaning, rinse and dry. To restore luster and remove streaks, follow with Stainless Steel Magic Spray* (Jenn-Air model A912, part number 20000008).
- **Interior:** Wash interior compartment with mild detergent and water. Do not use an abrasive powder, solvent, polish cleaner or undiluted detergent.
- **Glass Door:** Use a glass cleaner or mild detergent and water and soft cloth to clean the glass door. Do not use abrasive powders.
- **Door Gasket:** The vinyl gasket may be cleaned with mild detergent and water, or a solution of 2 tablespoons baking soda to 1 quart warm water.

Light Bulb Replacement

⚠ WARNING

- To avoid electrical shock which can cause severe personal injury or death, disconnect power to the wine chiller before replacing light bulb. After replacing light bulb, connect power.

⚠ CAUTION

To avoid personal injury or property damage, observe the following:

- Allow light bulb to cool.
- Wear gloves when replacing light bulb.

The wine chiller uses a 15 watt, intermediate base bulb and is located inside the light shield. The light shield is on the ceiling of the wine chiller and is held in place by three screws. Remove the three screws and light shield to remove the light bulb. Do not use a replacement light bulb greater than 15 watts.

In the Event of a Power Failure

If the power fails, open the door as infrequently as possible to maintain the temperature. A gradual rise in temperature should not have any adverse effect on the wine.

If it is extremely hot, you may want to move the wine to the coolest location you can find until power is restored.

* Brand names for cleaning products are registered trademarks of the respective manufacturers.

Before Calling for Service

Before calling for service check the troubleshooting table below. This table lists possible problems that you can remedy without difficulty to avoid an unnecessary service call.

PROBLEM	POSSIBLE CAUSE/SOLUTIONS
Odor in wine chiller	<ul style="list-style-type: none"> • Interior needs cleaning.
Noisy operation	<ul style="list-style-type: none"> • Wine chiller not level.
	<ul style="list-style-type: none"> • Weak floor.
Wine chiller vibrates	<ul style="list-style-type: none"> • Wine chiller not level.
	<ul style="list-style-type: none"> • Weak floor.
Wine chiller light not working	<ul style="list-style-type: none"> • Bulb burned out.
	<ul style="list-style-type: none"> • No power at outlet.
Appliance will not run	<ul style="list-style-type: none"> • Temperature control turned to "OFF".
	<ul style="list-style-type: none"> • Line cord not plugged in.
	<ul style="list-style-type: none"> • No power at electrical outlet.
	<ul style="list-style-type: none"> • House fuse blown or circuit breaker open.
Appliance runs long	<ul style="list-style-type: none"> • Prolonged door openings.
	<ul style="list-style-type: none"> • Control set too cold.
	<ul style="list-style-type: none"> • Condenser needs cleaning.
Moisture collects inside	<ul style="list-style-type: none"> • Too many door openings.
	<ul style="list-style-type: none"> • Hot, humid weather increases condensation.
Moisture collects on outside surface	<ul style="list-style-type: none"> • Hot, humid weather increases condensation. As humidity decreases, moisture will disappear.
	<ul style="list-style-type: none"> • Control improperly set.
Interior too hot/too cold	<ul style="list-style-type: none"> • Control improperly set.
	<ul style="list-style-type: none"> • Temperature is being checked with a faulty thermometer.
	<ul style="list-style-type: none"> • Move the thermometer to center of wine chiller and recheck.

If you do need service, contact your dealer or the manufacturer. In any correspondence, refer to the model number and serial number of your wine chiller which is located inside the wine chiller, on the upper left side. Retain your proof of purchase. Record these numbers in the space provided on page 1.

Notes

Warranty

Full One Year Warranty

For **one (1) year** from the original retail purchase date, any part which fails in normal home use will be repaired or replaced free of charge.

Limited Warranties - Major Refrigeration Components

Second Through Fifth Years - After the first year from the original purchase date through the end of the fifth year, the manufacturer will repair or replace, at its option, free of charge for parts and labor (only), any part of the sealed refrigeration system (consisting of the compressor, evaporator, condenser, dryer and connecting tubing) which fail in normal home use. All other costs, including mileage, transportation, trip charge and diagnostic charge, if required, shall be the responsibility of the owner.

Limited Warranties - Other Parts

Second Year - Parts other than major refrigeration components which fail in normal home use during the second year following the original retail purchase date will be repaired or provided free of charge for the part itself, with the owner paying all other costs, including labor, mileage, transportation, trip charge and diagnostic charge, if required.

NOTE: The full warranty and the limited warranties apply when the refrigeration product is located in the U.S.A. or Canada. Products located elsewhere are covered by the limited warranties only including parts that fail during the first year.

LIMITATIONS OF LIABILITY

The warrantor shall not be liable for any incidental or consequential damages, including food loss. Some states do not allow the exclusion or limitation of consequential damages, so the above limitation or exclusion may not apply to you.

*The specific warranties expressed above are the **ONLY** warranties provided by the manufacturer. These warranties give you specific legal rights, and you may also have other rights which vary from state to state.*

To receive warranty service:

To locate an authorized service company in your area contact the Jenn-Air dealer from whom your appliance was purchased; or call Maytag ServicesSM, Jenn-Air Customer Assistance at the number listed below. Should you not receive satisfactory warranty service, please call or write:

Maytag ServicesSM
Attn: Jenn-Air CAIR[®] Center
P.O. Box 2370
Cleveland, TN 37320-2370

U.S.A. and Canada **1-800-JENNAIR**
(1-800-536-6247)

**U.S.A. customers using
TTY for deaf, hearing impaired
or speech impaired** **1-800-688-2080**

NOTE: When writing or calling about a service problem, please include the following information:

- Your name, address and telephone number;
- Model number, serial number and revision number;
- Name and address of your dealer and the date the appliance was bought;
- A clear description of the problem you are having;
- Proof of purchase (sales receipt).

What is Not Covered By These Warranties:

1. Conditions and damages resulting from any of the following:
 - a. Improper installation, delivery, or maintenance.
 - b. Any repair, modification, alteration, or adjustment not authorized by the manufacturer or an authorized servicer.
 - c. Misuse, abuse, accidents, or unreasonable use.
 - d. Incorrect electric current, voltage, or supply.
 - e. Improper setting of any control.
2. Warranties are void if the original serial numbers have been removed, altered or cannot be readily determined.
3. Light bulbs.
4. Products purchased for commercial or industrial use.
5. The cost of service or service call to:
 - a. Correct installation errors.
 - b. Instruct the user on the proper use of the product.
 - c. Transport the appliance to the servicer.
6. Consequential or incidental damages sustained by any person as a result of any breach of these warranties.

Some states do not allow the exclusion or limitation of consequential or incidental damages, so the above may not apply.

User's guides, service manuals and parts information are available from Maytag ServicesSM, Jenn-Air Customer Assistance.

Jenn-Air • 403 West Fourth Street North • P.O. Box 39 • Newton, Iowa 50208

Appendix B

JENN-AIR UNDER COUNTER REFRIGERATOR

OWNER'S GUIDE

TABLE OF CONTENTS

Introduction.....	1
Safety	2
Installation	3-7
Operation	8
Features.....	8
Care and Cleaning	9
Before Calling for Service	10
Warranty.....	11
Guide de l'utilisateur.....	12
Guía del Usuario.....	24

Introduction

Congratulations on the purchase of a Jenn-Air Refrigerator.

We appreciate your purchase decision and feel confident you will be happy with this appliance for years to come. For best results, please read this guide carefully. You will find instructions on the proper operation and maintenance.

Should you ever need our future assistance with your refrigerator, a complete model and serial number recorded in the spaces below will be extremely helpful. These numbers are found on a data plate located on the upper left side inside the refrigerator.

Model Number _____

Serial Number _____

Purchase Date _____

Dealer Name _____

Dealer Address _____

Dealer Phone _____

What You Need to Know About Safety Instructions

Warning and Important Safety Instructions appearing in this manual are not meant to cover all possible conditions and situations that may occur. Common sense, caution and care must be exercised when installing, maintaining or operating appliance.

Always contact your dealer, distributor, service agent or manufacturer about problems or conditions you do not understand.

Before Calling for Service . . .

If something seems unusual, please check the “Before Calling For Service” section, which is designed to help solve basic problems before calling a servicer.

What if These Features are Different from Mine?

This book is intended to show the variety of features that are available in the product line. If you have questions, write us (include your model number and phone number) or call:

Maytag ServicesSM
Attn: Jenn-Air CAIR[®] Center
P.O. Box 2370
Cleveland, TN 37320-2370
U.S.A and Canada 1-800-JENNAIR
(1-800-536-6247)
1-800-688-2080 (U.S.A. TTY for hearing
or speech impaired)
(Mon.-Fri., 8 a.m.-8 p.m. Eastern Time)
Internet: <http://www.jennair.com>

Recognize Safety Symbols, Words, Labels

DANGER

DANGER – Immediate hazards which **WILL** result in severe personal injury or death.

WARNING

WARNING – Hazards or unsafe practices which **COULD** result in severe personal injury or death.

CAUTION

CAUTION – Hazards or unsafe practices which **COULD** result in minor personal injury.

Important Safety Instructions

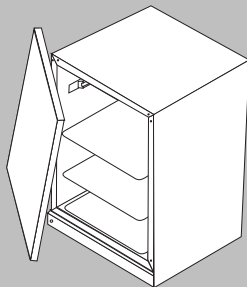
⚠ WARNING

- When using your appliance, always follow basic precautions.
- Use the refrigerator only for its intended purpose.
- To prevent possibility of hazard due to electrical shock, never plug the refrigerator in to a receptacle which has not been grounded adequately and in accordance with the local and national electrical codes. See ⚠ warning and the grounding instructions that follow.
- Disconnect the power cord to the refrigerator before cleaning, servicing or replacing a light bulb.
- In case of power failure, minimize door openings.
- Any electrical service cord that becomes frayed or damaged should be immediately repaired or replaced. Never unplug your appliance by pulling on the power cord.
- To prevent fire hazard, your refrigerator should not be operated in the presence of gasoline or other flammable vapors and liquids.
- To prevent injury, children should not climb, hang or stand on this refrigerator.

⚠ DANGER

Child entrapment and suffocation are not problems of the past. Junked or abandoned refrigeration products are still dangerous...even if they will sit for "just a few days." If you are getting rid of your old refrigeration products, please follow the instructions below to help prevent accidents.

- Take off the doors.
- Leave the shelves in place so that children may not easily climb inside.



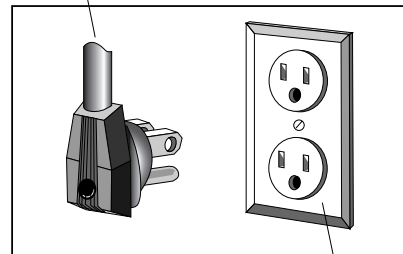
⚠ WARNING

- This appliance is designed to operate on a normal 115 volt, 15 amp, 60 cycle line. There should be a separate, grounded circuit serving this appliance only. Do not use an extension cord. Do not use any device that will alter the electrical performance of this appliance.

This appliance is equipped with a three-pronged grounding plug for your protection against possible electrical shock hazards. It must be plugged in to a grounding receptacle. Where a standard two-prong wall receptacle is encountered, it is the personal responsibility and obligation of the customer to have it replaced with a properly grounded three-prong wall receptacle. Do not, under any circumstances, cut or remove the third (ground) prong from the power cord.

Do not use an adapter plug.

Power Supply Cord With
3-prong Grounding Plug



Grounding Type
Wall Receptacle

⚠ WARNING

- This refrigerator should not, under any circumstances, be ungrounded.

Save These Instructions For Future Reference

Installation

Materials Needed

- 1/8" Allen wrench
- 5/16" socket
- Phillips screwdriver
- Putty knife
- Carpenter's level

Select Location

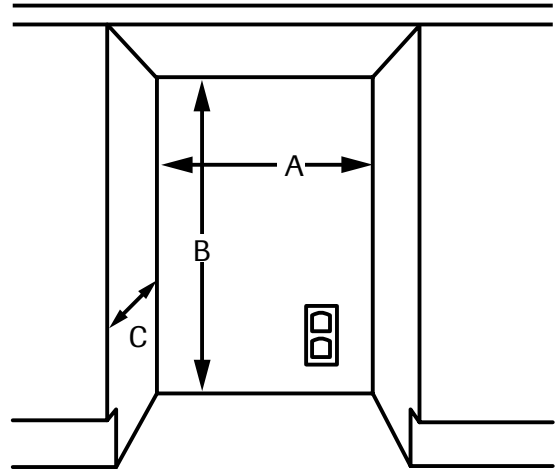
The refrigerator was designed to be installed under the counter. Its proper location will ensure peak performance. Choose a location indoors, away from heat and out of direct sunlight. Best performance will be maintained when installed within the following parameters:

Ideal Ambient Temperature Range

Built-In.....65-80° F
(18.3-26.7° C)

Provisions for electricity should be determined before placing the refrigerator in its final location (see page 2).

Cabinet Cutout Dimensions



UNDER COUNTER CUTOUT	
A	24" (61.0 cm)*
B	Min. 34½" (87.6 cm) Max. 35¼" (89.5 cm)
C	24⅞" (61.3 cm)

* If door is recessed between cabinets, cabinet cutout must be 24¼" (61.6 cm).

Cabinet Clearance

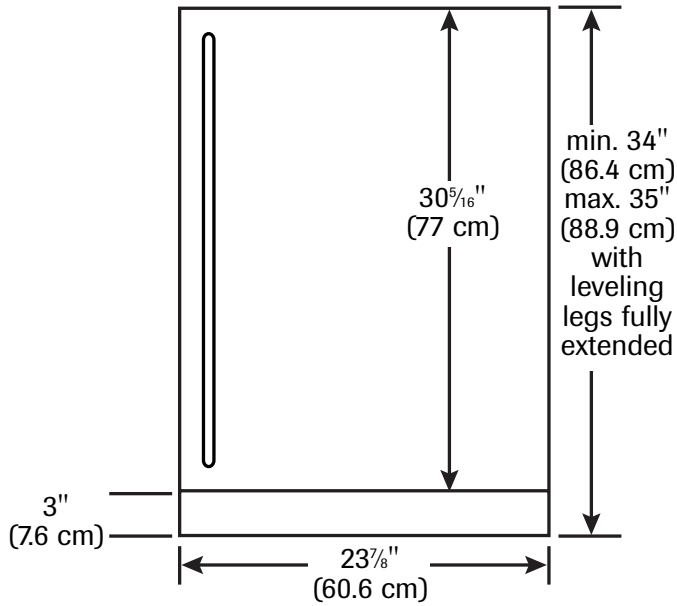
Ventilation is required from the bottom front section of the refrigerator for efficient operation. Keep this area open and clear of any obstructions.

The adjacent cabinets and countertop can be built around the refrigerator as long as no top trim or countertop is installed lower than the top of the hinge.

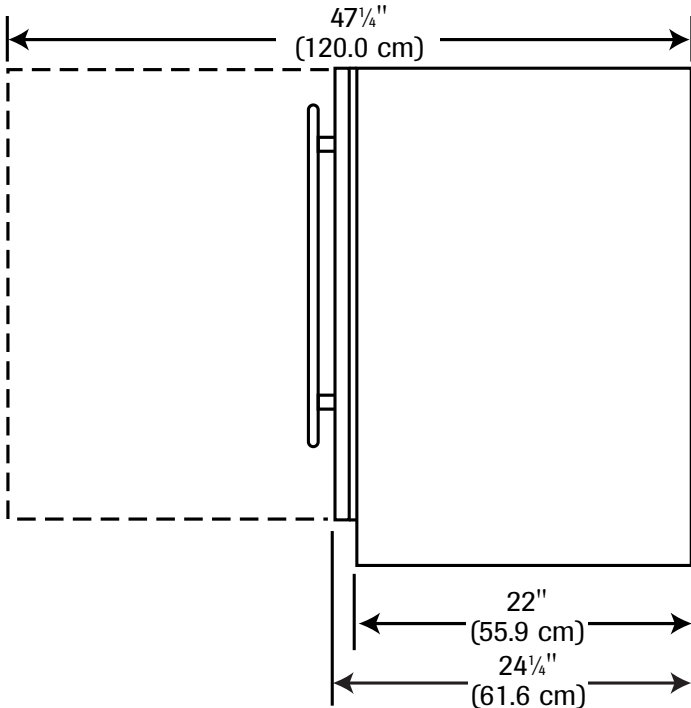
Installation should allow for the refrigerator to be moved if service is ever required.

Dimensions

Front



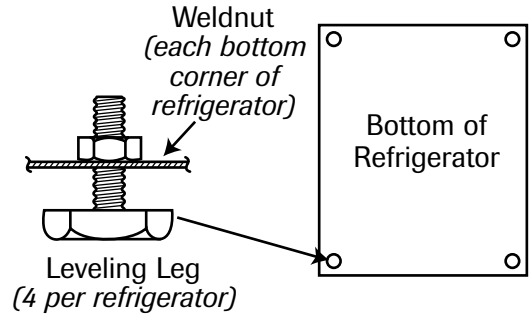
Side



Leveling Legs

Install leveling legs (located in literature pack):

- At least 2 people are needed to tip the refrigerator backwards until there is approximately 12" (30.5 cm) of clearance between the floor and the refrigerator.



- Screw one front leveling leg into the screw impression found in each corner. Leveling legs should be screwed in until snug.
- Repeat the above procedures to install the rear leveling legs.

⚠ WARNING

- To prevent injury, one person should not attempt to tilt the refrigerator by himself. Have someone else assist to prevent the refrigerator from falling during leveling leg installation.

⚠ CAUTION

- The refrigerator should remain upright at least 30 minutes prior to plugging it in.

Level the Refrigerator

Using a carpenter's level, check to be sure the refrigerator is level from side to side and from front to back. Leveling adjustments can be made by turning the leveling legs counter-clockwise to increase height and clockwise to decrease height.

NOTE: The refrigerator should not wobble. Use shims to add stability when needed.

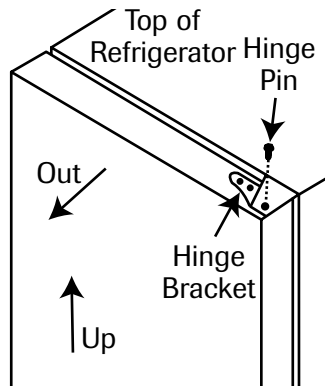
Installation, cont.

Reversing the Door

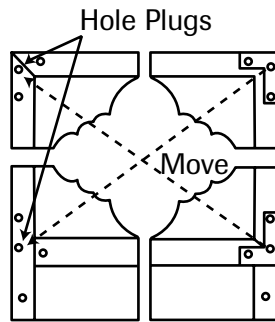
⚠ WARNING

- To avoid electrical shock which can cause severe personal injury or death, disconnect power to the refrigerator before reversing the door.

1. Turn OFF the refrigerator and disconnect the power. Remove top hinge pin with a $\frac{1}{8}$ " Allen wrench. Remove door by pulling it out and upward off bottom hinge pin. Set aside, face down on surface that will not scratch the finish. Remove the small plastic washer from bottom hinge pin.

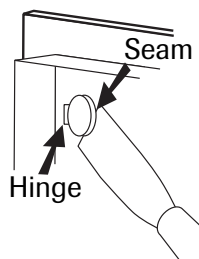


2. Remove the six small plastic hole plugs from the left hand hinge holes using the putty knife. Using a $\frac{5}{16}$ " socket, wrench or nut-driver, remove bottom hinge. Reinstall hinge, moving it to the top left hand side. Using a $\frac{1}{8}$ " Allen wrench, remove the hinge pin from the top left hinge, and install in top right hinge. Now move top right hinge to left bottom. Reinstall the small plastic washer on the bottom hinge pin. Install hole plugs in right side.



3. Reverse the door interior liner.

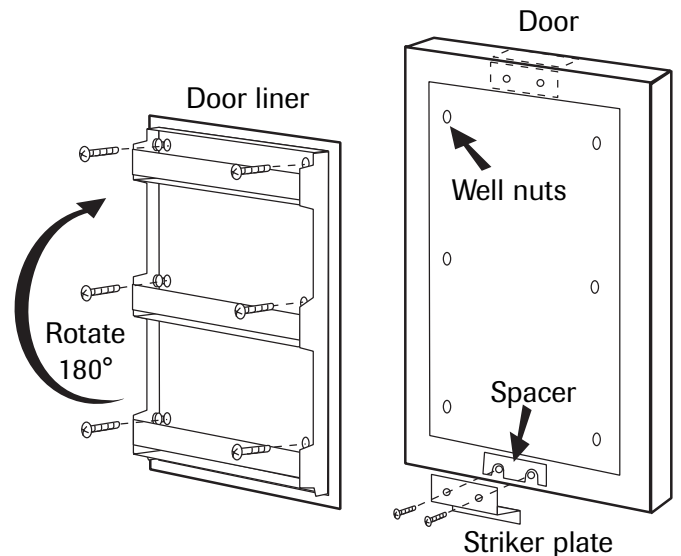
- Remove the door seal.
- Open the 6 hinged screw covers found on the door liner by sliding the blade of thin putty knife into the seam on each cover (be careful not to run the knife through the hinge found on each screw cover).



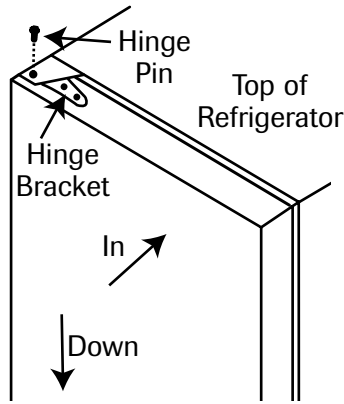
- Using a Phillips screwdriver, remove the 6 screws that are attaching the liner to the door. The screw covers will rotate with the screws.
- Rotate the door liner 180° and align the screw holes in the door liner with the well nuts in the door.
- Reinstall the screws into the well nuts by first starting all 6 screws and then tightening all 6 screws. This will reattach the door liner to the door. Close the screw covers.
- Move the striker plate to the opposite end of the door.

NOTE: Be sure to install the spacer behind the striker plate in its correct orientation. Failure to do this can interfere with the ability to reinstall the striker plate correctly.

- Reinstall the door seal by pressing it into the door channel, making certain the corners are fully inserted.



4. Reinstall the door by locating it over the bottom hinge pin and pushing down and in. Reinstall the top hinge pin. Check the door for proper alignment. The top and sides of the door should run parallel to the top and side edges of the cabinet.



Some misalignment is acceptable, but the door gasket must seal fully against the cabinet.

Realigning the door may be necessary. Using a $\frac{1}{8}$ " Allen wrench, loosen the two screws on the top and bottom adjustable door hinge bracket. Adjust the door to proper alignment. Make sure door gasket seals fully against the cabinet front. Retighten screws after making adjustments.

5. **Reconnect power to the refrigerator and turn the control back to the ON setting.**

Installing the Custom Door Panel (select models)

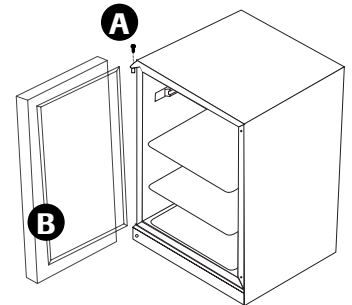
⚠ WARNING

- To avoid electrical shock which can cause severe personal injury or death, disconnect power to refrigerator before installing the custom door panel.

The dimensions for a decorative custom door panel are:

- $23\frac{3}{4}$ " (60.3 cm) Width
- $30\frac{5}{16}$ " (77 cm) Height
- $\frac{3}{4}$ " (1.9 cm) Thickness (maximum)

- Turn OFF the refrigerator and disconnect the power.
- Remove $\frac{1}{8}$ " top hinge pin (A). Remove the door off the bottom hinge pin, noting washer location.
- Remove the door seal (B) to expose the screw holes.



Custom Handle

- A custom handle (not supplied) must be installed.
- Drill pilot holes through the custom panel to match the handle. Countersink the holes on the back of the panel.
- Attach the custom handle to the front door panel assembly.

NOTE: The custom handle screws should be installed through the custom panel and into the custom handle. The screw heads should be countersunk, so the inside panel surface can be installed flush with the refrigerator door.

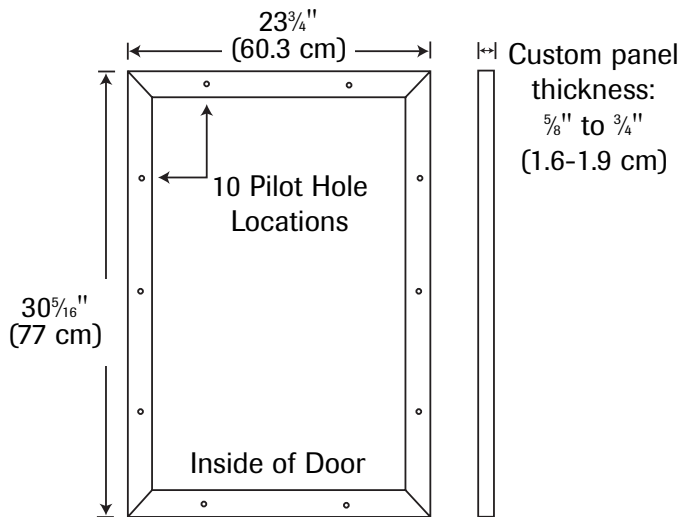
Installation, cont.

Wood Screws

1. #8 pan head wood screws are recommended to properly secure the custom wood panel to the refrigerator door.
2. A total of 10 screws are needed.
3. Use only pan head screws.
4. Be sure the screw length is **NOT** longer than the wood thickness at the screw locations.
5. Use the following pilot hole drill sizes.

Type of Wood	Pilot Hole Drill Size for #8 Pan Head Wood Screws
Hardwood	$\frac{3}{32}$ " (.23 cm)
Softwood	$\frac{5}{64}$ " (.20 cm)

Prepare the Wood Panel

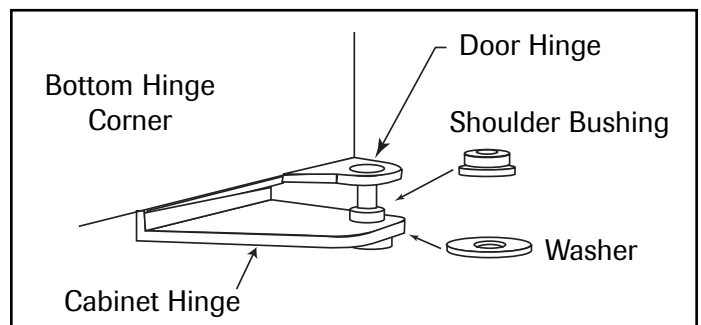
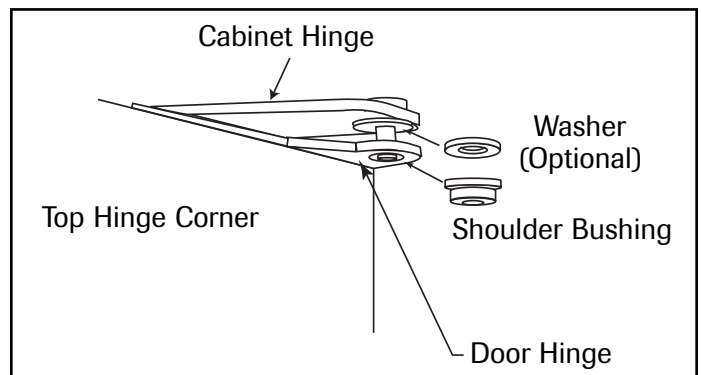


Attach the Wood Panel to the Refrigerator Door

1. Place the custom wood panel on a non-abrasive surface, protected by towels or rugs, to avoid accidental damage to the door finish.
2. Place the refrigerator door flush with the inside surface of the custom wood panel. Clamp the wood panel to the door, if necessary.
3. Mark the hole locations with a pencil.
4. Drill the pilot holes into the custom panel.
5. Insert the wood screws through the back of the door and into the pilot holes in the custom wood panel and tighten.
6. Reinstall the door seal by pressing it into the door channel, making certain the corners are fully inserted.
7. Install the door back on the refrigerator using the supplied plastic washers (as shown below).
8. Realigning the door may be necessary (see page 6).

CAUTION

- Door can become disengaged if washers are not installed.
- Door may not swing properly if all nylon components are not installed as shown.



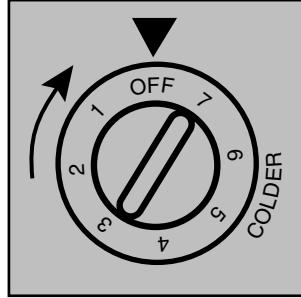
Operation

Features

1. Setting the Control:

The temperature control knob is located at the bottom front of the refrigerator, near the center of the grille.

Initially turn the control clockwise to the middle thermostat setting (4). Allow at least 48 hours for the refrigerator to stabilize before making any adjustments to the initial setting.



The temperature can be adjusted by turning the control clockwise for a colder temperature or counterclockwise for a warmer temperature.

All refrigerator models automatically defrost. No manual defrosting is required.

NOTE: Turning the control knob to OFF stops cooling but does not shut off power to the refrigerator. To disconnect power, the refrigerator must be unplugged or the circuit breaker or fuse board turned off.

Interior Light

The interior light makes it easy to view what is stored in the refrigerator.

The light automatically comes on when the door is opened.

Adjustable Shelves

⚠ CAUTION

- To prevent injury, do not attempt to adjust a shelf while it is loaded. Always empty the shelf prior to adjusting it or moving it to another location.

The interior refrigerator shelves are adjustable.

The shelves rest on rails formed in the side of the refrigerator cabinet.

To adjust shelf height:

- Unload the shelf completely.
- Lift the rear of the shelf up slightly.
- Pull the shelf straight out.
- Slide the shelf onto an alternative railing.

Care and Cleaning

Cleaning

⚠ WARNING

- To avoid electrical shock which can cause severe personal injury or death, disconnect power to the refrigerator before cleaning.

- **Condenser:** The condenser tubing inside the refrigerator does not require frequent cleaning; however, satisfactory cooling depends on adequate ventilation over the coils. Be sure that nothing obstructs the required air flow openings in front of the refrigerator. At least twice a year, brush or vacuum lint and dirt from the condenser for efficient performance by unscrewing the grille on the bottom front of the refrigerator.
- **Cabinet:** The painted cabinet can be washed with mild detergent and water, and thoroughly rinsed with clear water. Never use abrasive scouring powders.
- **Stainless Steel Door:** Use a soft cloth or sponge and wipe with the grain of the stainless steel. Use mild detergent and water for light soil, Bon Ami* for more moderate soil and Cameo Stainless Steel Cleaner* for discoloration. Do not use chlorine bleach or products containing chlorine bleach on stainless steel.

After cleaning, rinse and dry. To restore luster and remove streaks, follow with Stainless Steel Magic Spray* (Jenn-Air model A912, part number 20000008).
- **Interior:** Wash interior compartment with mild detergent and water. Do not use an abrasive powder, solvent, polish cleaner or undiluted detergent.
- **Door Gasket:** The vinyl gasket may be cleaned with mild detergent and water or a solution of 2 tablespoons baking soda to 1 quart of warm water.

Light Bulb Replacement

⚠ WARNING

- To avoid electrical shock which can cause severe personal injury or death, disconnect power to the refrigerator before replacing light bulb. After replacing light bulb, connect power.

⚠ CAUTION

To avoid personal injury or property damage, observe the following:

- Allow light bulb to cool.
- Wear gloves when replacing light bulb.

The refrigerator uses a 15-watt appliance light bulb. To replace the light bulb, proceed as follows:

1. Unplug the power cord from the wall receptacle.
2. Open the cabinet door.
3. Remove lower shelf.
4. Remove the 3 screws on the front face of the light lens.
5. Remove the lens.
6. Unscrew the existing bulb and replace with an equivalent 15-watt, threaded, intermediate base appliance bulb. Do not replace with a bulb higher than 15 watts.
7. Reassemble.
8. Reconnect power.

* Brand names for cleaning products are registered trademarks of the respective manufacturers.

Before Calling for Service

Before calling for service check the troubleshooting table below. This table lists possible problems that you can remedy without difficulty to avoid an unnecessary service call.

PROBLEM	POSSIBLE CAUSE/SOLUTIONS
Odor in refrigerator	<ul style="list-style-type: none"> • Interior needs cleaning.
Noisy operation	<ul style="list-style-type: none"> • Refrigerator not level.
	<ul style="list-style-type: none"> • Weak floor.
Refrigerator cabinet vibrates	<ul style="list-style-type: none"> • Refrigerator not level.
	<ul style="list-style-type: none"> • Weak floor.
Refrigerator light not working	<ul style="list-style-type: none"> • Bulb burned out.
	<ul style="list-style-type: none"> • No power at outlet.
Appliance will not run	<ul style="list-style-type: none"> • Temperature control turned to OFF.
	<ul style="list-style-type: none"> • Line cord not plugged in.
	<ul style="list-style-type: none"> • No power to electrical outlet.
	<ul style="list-style-type: none"> • House fuse blown.
Appliance runs long	<ul style="list-style-type: none"> • Prolonged door openings.
	<ul style="list-style-type: none"> • Control set too cold.
	<ul style="list-style-type: none"> • Condenser needs cleaning.
Moisture collects inside	<ul style="list-style-type: none"> • Too many door openings.
	<ul style="list-style-type: none"> • Hot, humid weather increases condensation.
Moisture collects on outside surface	<ul style="list-style-type: none"> • Hot, humid weather increases condensation. As humidity decreases, moisture will disappear.
	<ul style="list-style-type: none"> • Control improperly set.
Interior too hot/too cold	<ul style="list-style-type: none"> • Control improperly set.
	<ul style="list-style-type: none"> • Temperature is being checked with a faulty thermometer.

If you do need service, contact your dealer or the manufacturer. In any correspondence, refer to the model number and serial number of your refrigerator which is located on the lower front refrigerator flange. Retain your proof of purchase. Record these numbers in the space provided on page 1.

Warranty

Full One Year Warranty

For **one (1) year** from the original retail purchase date, any part which fails in normal home use will be repaired or replaced free of charge.

Limited Warranties - Major Refrigeration Components

Second Through Fifth Years - After the first year from the original purchase date through the end of the fifth year, Maytag ServicesSM will repair or replace, at its option, free of charge for parts and labor (only), any part of the sealed refrigeration system (consisting of the compressor, evaporator, condenser, dryer and connecting tubing) which fail in normal home use. All other costs, including mileage, transportation, trip charge and diagnostic charge, if required, shall be the responsibility of the owner.

Limited Warranties - Other Parts

Second Year - Parts other than major refrigeration components which fail in normal home use during the second year following the original retail purchase date will be repaired or provided free of charge for the part itself, with the owner paying all other costs, including labor, mileage, transportation, trip charge and diagnostic charge, if required.

NOTE: The full warranty and the limited warranties apply when the refrigeration product is located in the U.S.A. or Canada. Products located elsewhere are covered by the limited warranties only including parts that fail during the first year.

LIMITATIONS OF LIABILITY

The warrantor shall not be liable for any incidental or consequential damages, including food loss. Some states do not allow the exclusion or limitation of consequential damages, so the above limitation or exclusion may not apply to you.

*The specific warranties expressed above are the **ONLY** warranties provided by the manufacturer. These warranties give you specific legal rights, and you may also have other rights which vary from state to state.*

To Receive Warranty Service:

To locate an authorized service company in your area contact the Jenn-Air dealer from whom your appliance was purchased; or call Maytag ServicesSM, Jenn-Air Customer Assistance at the number listed below. Should you not receive satisfactory warranty service, please call or write:

Maytag ServicesSM
Attn: Jenn-Air CAIR[®] Center
P.O. Box 2370
Cleveland, TN 37320-2370

U.S.A. and Canada **1-800-JENNAIR**
(1-800-536-6247)

**U.S.A. customers using
TTY for deaf, hearing impaired
or speech impaired** **1-800-688-2080**

NOTE: When writing or calling about a service problem, please include the following information:

- Your name, address and telephone number;
- Model number, serial number and revision number;
- Name and address of your dealer and the date the appliance was bought;
- A clear description of the problem you are having;
- Proof of purchase (sales receipt).

What is Not Covered By These Warranties:

1. Conditions and damages resulting from any of the following:
 - a. Improper installation, delivery, or maintenance.
 - b. Any repair, modification, alteration, or adjustment not authorized by the manufacturer or an authorized servicer.
 - c. Misuse, abuse, accidents, or unreasonable use.
 - d. Incorrect electric current, voltage, or supply.
 - e. Improper setting of any control.
2. Warranties are void if the original serial numbers have been removed, altered or cannot be readily determined.
3. Light bulbs.
4. Products purchased for commercial or industrial use.
5. The cost of service or service call to:
 - a. Correct installation errors.
 - b. Instruct the user on the proper use of the product.
 - c. Transport the appliance to the servicer.
6. Consequential or incidental damages sustained by any person as a result of any breach of these warranties.

Some states do not allow the exclusion or limitation of consequential or incidental damages, so the above may not apply.

User's guides, service manuals and parts information are available from Maytag ServicesSM, Jenn-Air Customer Assistance.

Jenn-Air • 403 West Fourth Street North • P.O. Box 39 • Newton, Iowa 50208