



Service

This manual is to be used by qualified appliance technicians only. Maytag does not assume any responsibility for property damage or personal injury for improper service procedures done by an unqualified person.

This Base Manual covers general information
Refer to individual Technical Sheet
for information on specific models

This manual includes, but is
not limited to the following:

Jet Clean II Stainless Steel Dishwashers

Maytag
MDB8750AW
MDB9750AW
Jenn-Air
JDB1060AW
JDB1100AW
JDB2100AW
JDB2150AWP



Important Information

Important Notices for Servicers and Consumers

Maytag will not be responsible for personal injury or property damage from improper service procedures. Pride and workmanship go into every product to provide our customers with quality products. It is possible, however, that during its lifetime a product may require service. Products should be serviced only by a qualified service technician who is familiar with the safety procedures required in the repair and who is equipped with the proper tools, parts, testing instruments and the appropriate service information. **IT IS THE TECHNICIANS RESPONSIBILITY TO REVIEW ALL APPROPRIATE SERVICE INFORMATION BEFORE BEGINNING REPAIRS.**



WARNING

To avoid risk of severe personal injury or death, disconnect power before working/servicing on appliance to avoid electrical shock.

To locate an authorized servicer, please consult your telephone book or the dealer from whom you purchased this product. For further assistance, please contact:

Customer Service Support Center

CAIR Center

Web Site	Telephone Number
WWW.AMANA.COM	1-800-843-0304
WWW.JENNAIR.COM	1-800-536-6247
WWW.MAYTAG.COM	1-800-688-9900
CAIR Center in Canada	1-800-688-2002
Amana Canada Product	1-866-587-2002

Recognize Safety Symbols, Words, and Labels



DANGER

DANGER—Immediate hazards which **WILL** result in severe personal injury or death.



WARNING

WARNING—Hazards or unsafe practices which **COULD** result in severe personal injury or death.



CAUTION

CAUTION—Hazards or unsafe practices which **COULD** result in minor personal injury, product or property damage.

Table of Contents

Important Information		Will Not Wash	18
Important Notices for Consumers and Servicers	2	Will Not Drain	18
Recognize Safety Symbols, Words, and Labels ...	2	Will Not Dry	18
Important Safety Information		Manual Function Test	18
General Information	4	Field Service Test	18
Related Publications	4	Troubleshooting Flow Chart	
General Precautions and Warnings	4	Installation Issues	19
Product Warning Labels		Leak Issues Page 1	20
Junction Box Warning	5	Leak Issues Page 2	21
Support Panel Warning	5	No Function Operation Issues Page 1	22
Control Cover Warning	6	No Function Operation Issues Page 2	23
Electrical Equipment & Testing		Wash Performance / Staining Issues Page 1	24
Electrical Test Equipment	7	Wash Performance / Staining Issues Page 2	25
Appliance Test Meter	7	Dry Performance Page 1	26
Continuity Testing	7	Dry Performance Page 2	27
Digital Test Meter	7	Noise Issues Page 1	28
Voltage Checks	8	Noise Issues Page 2	29
Motor Test Cord	8	Service and Disassembly Procedures	
Grounding Polarity	8	Front Support and Toe Panel Removal	30
Electrical Tests		Inner Door Panel Removal	31
Water Valve	9	Detergent / Rinse Aid Disp	31
Detergent / Rinse Aid Disp Wax Mtr Check	9	Wax Motor Detergent / Rinse Aid Disp	32
Cycles & Options		Vent	32
Cycles	10	Wire Cover	32
Options	11	Door Latch & Switch Holder Assembly	33
Display	12	PC Board	34
Control Style by Model	13	Technical Sheet	34
Troubleshooting		Control Panel	34
Will Not Fill	15	Door Latch Strike	34
Overflows	15	Door Gasket	35
Poor Water Circulation	15	Outer Door	35
Poor Washability	16	Door Hinge And Support	36
Will Not Drain	16	Door Spring	36
Continues to Drain	16	Door Spring And Component Replacement	37
Poor Drying	16	Over Pressure Filter	37
Water Leaks	17	Top Wash Arm	37
Noise	17	Manifold	38
Will Not Start or Program	17	Docking Station	38
Will Not Fill	17	Lower Wash Arm	38
		Float	39
		Heating Element	40
		Thermostats	41
		Water Valve	41
		Air Water Inlet and Vent	42
		Upper Rack Removal	43
		Tub Wheels	43
		Turbidity Sensor	43
		Drain Pump	44
		Wash Motor Assembly	45
		Appendix A	
		Installation Instructions	A-2

Important Safety Information



WARNING

To avoid personal injury or death from improper servicing, make sure you read and understand the descriptions and meaning of various safety symbols, words and labels used in this manual, before attempting any procedures described in the manual. Failure to understand and comply with safety information may result in severe personal injury or death.

General Information

This Service Manual describes the operation, disassembly, troubleshooting, and repair of Maytag® Dishwashers. It is intended for use by authorized servicer's who troubleshoot and repair these units.

NOTE: It is assumed that users of this manual are familiar with the use of tools and equipment used to troubleshoot and repair electrical, and mechanical systems; and understand the terminology used to describe and discuss them.

Related Publications

This is a base service manual, covering a range of similar models. It is intended to be used in conjunction with the Parts Manual and Technical Sheet covering specific model being serviced.

General Precautions and Warnings

- Dispose of discarded appliance and shipping or packing material properly.
- Do not allow children to play in or on dishwasher.
- Do not abuse, sit, stand or play on door or racks of a dishwasher.
- Use only detergents and rinse agents recommended for use in a dishwasher.
- Store dishwasher detergent and rinse agents out of the reach of children.
- If the dishwasher drains into a food disposer, make sure disposer is completely empty before running dishwasher.
- Repairs should be done by a qualified technician.
- Do not tamper with controls.
- Do not touch the heating element during or immediately after use.
- Load sharp knives with the handles up to reduce the risk of cut-type injuries or damaging seal.



WARNING

To avoid risk of personal injury or death due to electrical shock:

- Grounding wires and wires colored like grounding wires are **NOT** to be used as current carrying conductors.
- Standard accepted color coding for ground wires is **green** or **green with a yellow stripe**.
- Grounding wires should not be removed from individual components while servicing, unless component is to be removed and replaced.
- Replace all removed grounding wires before completing service.



WARNING

To avoid death, severe personal injury, fire or electrical shock when using dishwasher observe the following:

- **Observe all local codes and ordinances.**
- Disconnect electrical power to dishwasher before servicing.
- Connect dishwasher to a grounded metal, permanent wiring system.
- DO NOT ground to gas line.
- DO NOT ground to cold water pipe if pipe is interrupted by plastic, non-metallic gaskets, or other insulating (non-conducting) materials.
- Check with a qualified electrician if you are not sure this appliance is properly grounded.
- This dishwasher is designed to operate on regular house current (120 V, 60 Hz). Use a circuit equipped with a 15 ampere fuse or circuit breaker. Use a 20 ampere fuse if dishwasher is connected with a food waste disposer.
- Under certain conditions, hydrogen gas may be produced in a hot water system that has not been used for 2 weeks or more. **HYDROGEN GAS IS EXPLOSIVE.** If hot water system has not been used for such a period, before using dishwasher, turn on all hot water faucets and let water flow from each for several minutes. This will release any accumulated hydrogen gas. **HYDROGEN GAS IS FLAMMABLE.** Do not smoke or use an open flame during this time.
- Do not store or use combustible materials, gasoline or other flammable vapors and liquids in the vicinity of this or any other appliance.
- Do not wash plastic items unless marked "dishwasher safe" or the equivalent. If not marked, check with manufacturer for recommendations. Items that are not dishwasher safe may melt and create a potential fire hazard.
- To avoid entrapment and/or suffocation, remove door or door latch mechanism from any dishwasher that is discarded or not in use.

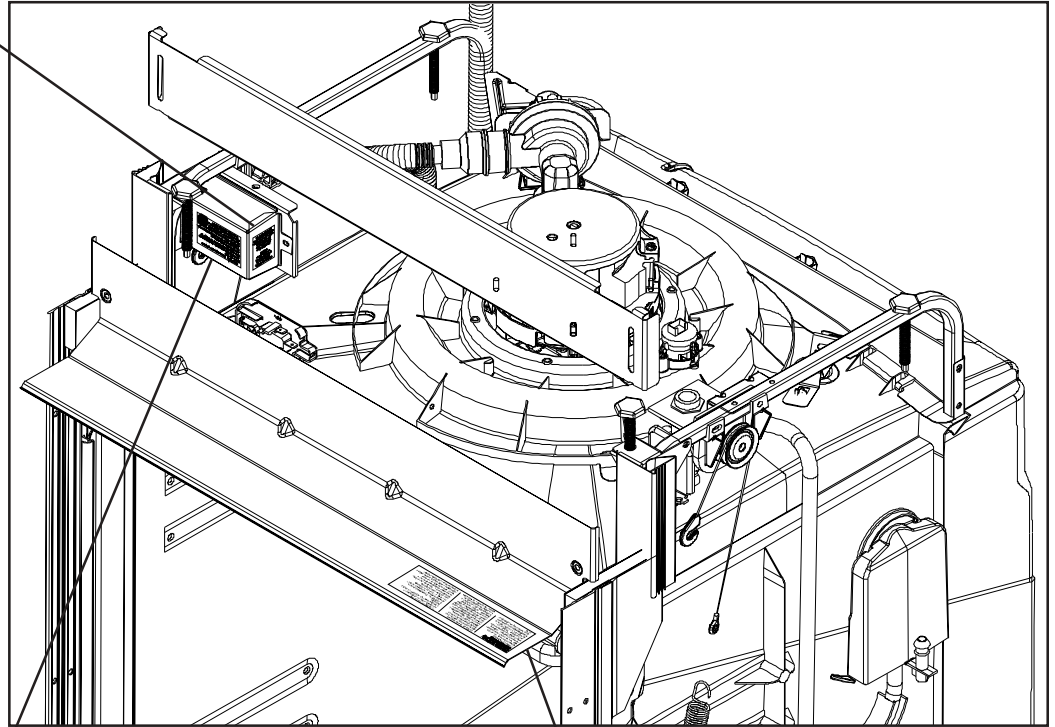
Important Safety Information

PRECAUCIÓN:

Desconecte la energía eléctrica antes de darie servicio.

ATENCIÓN:

Solamente use conductores de cobre. Use cables de suministro adecuados para 75° (167°F).



CAUTION: Disconnect electrical power before servicing.

ATTENTION: Use copper conductors only. Use supply wires suitable for 75°C (167°F).

ATTENTION: Débrancher de l'alimentation électrique avant tout dépannage.

ATTENTION: Utiliser des conducteurs en cuivre uniquement. Utiliser des fils d'alimentation pouvant supporter une température de 75°C (167°F).



GROUNDING: This unit must be grounded in accordance with local and/or national electric codes.

WARNING: The heating element, drain pump, harness clip, dispenser mount, and water valve are intentionally not grounded and may present a risk of electrical shock only during servicing. Discharge motor capacitor before servicing. Failure to follow these instructions can result in death, serious injury, fire, or electrical shock.

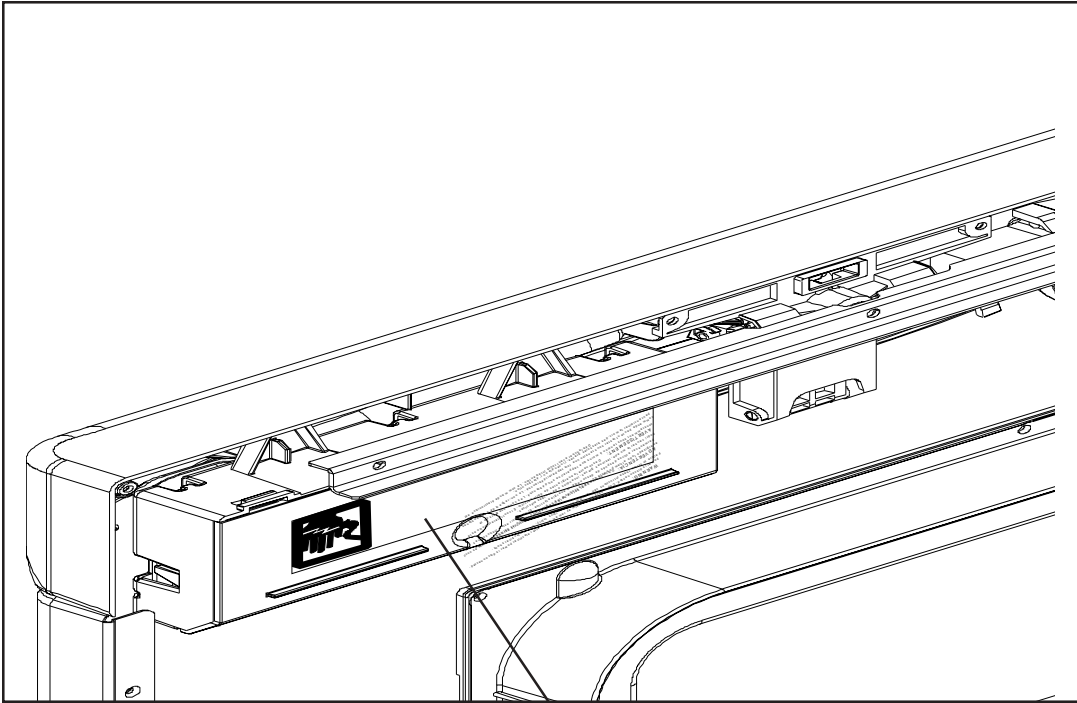
MISE À LA TERRE: Cet appareil doit être relié à la terre conformément aux codes électriques locaux et/ou nationaux.

AVERTISSEMENT: La résistance, la pompe de vidange, l'attache du hamais, la monture de distributeur et l'électrovanne ne sont pas reliés à la terre intentionnellement et peuvent présenter des risques d'électrocution uniquement en cas d'intervention de service après-vente. Décharger le condensateur avant toute intervention. Le non-respect de ces consignes peut entraîner la mort, des blessures graves, l'incendie ou l'électrocution.

CONEXIÓN A TIERRA: Esta unidad debe estar conectada a tierra de acuerdo con los códigos eléctricos locales y nacionales.

ADVERTENCIA: El elemento calentador, la bomba de drenado, el sujetador del arnés, el montaje del surtidor y la válvula de agua están sin conectar a tierra intencionalmente podrían presentar un riesgo de descargas eléctricas cuando se les da servicio solamente. El no seguir estas instrucciones podría causar la muerte, lesiones graves, incendios o descargas eléctricas.

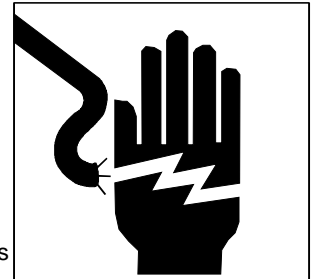
Important Safety Information



WARNING: Disconnect power before servicing. Electronic control is energized at all times until power is disconnected. Capacitors on control may remain active after electrical power is disconnected. Failure to follow these instructions can result in death, serious injury, fire, or electrical shock.

ADVERTENCIA: Desconecte la energía antes de darle servicio. El control electrónico está energizado todo el tiempo hasta que se desconecta la energía. Los capacitores del control podrían permanecer activos después de desconectar la energía eléctrica. El no seguir estas instrucciones podría causar la muerte, lesiones graves, incendios o descargas eléctricas.

AVERTISSEMENT: Débrancher avant toute intervention. La commande électronique est constamment sous tension à moins que l'appareil ne soit débranché. Les condensateurs de la commande peuvent rester sous tension une fois l'appareil débranché. Le non-respect de ces consignes peut entraîner la mort, des blessures graves, l'incendie ou l'électrocution.



Electrical Equipment & Testing

Electrical Test Equipment

The equipment required to service these models depends largely upon the condition encountered. Locating a malfunction will often require the use of electrical testing equipment such as:

Appliance Test Meter
Clamp-On Ammeter
Motor Test Cord

Appliance Test Meter

An Appliance Test Meter is a multi-purpose tester combining an AC/DC voltage tester with a multi-range ohmmeter.

The easiest means of testing electrical components is "Continuity Testing" with an appliance meter. Continuity is a complete or continuous path from one point in an electrical circuit to another.

The obvious advantages of being able to check electrical components and circuits without power applied is one of the features of the Ohmmeter. Multiple ranges allow accurate determination of resistances of both single components and entire circuit paths. Resistance is measured in "Ohms."



WARNING

To avoid risk of personal injury or death due to electrical shock:

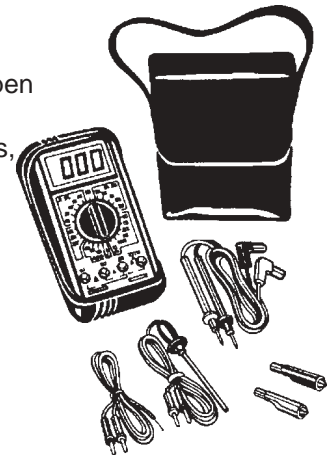
Always be sure the power has been disconnected before making resistance measurements. Failure to do so will also result in damage to your meter! Internal batteries provide all the power needed to make resistance checks. They should be checked at least once a year and replaced as needed.

Continuity Testing: is a process of eliminating electrical components involved in a given function of the appliance, until the inoperative part is found. By reviewing the list of possible electrical problems under a given condition, and then performing appropriate continuity checks of the parts involved, you should be able to locate the electrical component which is inoperative.

NOTE: When checking components or circuit paths for continuity, external wiring should be disconnected to eliminate false readings through external paths. Isolate what you want to test.

Digital Test Meter

can be used to check for open or closed circuits, measure resistance, AC and DC volts, and temperature.



Analog Test Meter

can be used to check for open or closed circuits, measure resistance, AC and DC volts, and temperature.



ELECTRICAL EQUIPMENT & TESTING

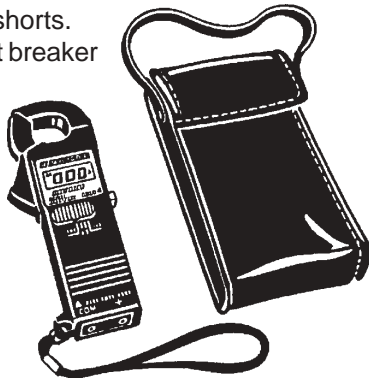
VOLTAGE CHECKS

Generally, these checks will consist of taking readings at the wall receptacle in order to determine the availability of voltage to the product. Voltage checks on individual components of a product are not recommended due to the possibility of electrical shock. Component part testing is best accomplished through continuity checks with an Appliance Test Meter.

NOTE: Use of the meter on voltage higher than the indicated range may cause permanent damage to the meter. To prevent damage, first select highest range and then lower the range for readings which fall within the lower scale.

Clamp-On Ammeter

can be used to detect shorts. Overloads on the circuit breaker or fuse can be traced to either the appliance or circuit breaker by checking the current draw.



Each circuit in an appliance has a "Normal" current draw, which is an indication of the performance of that circuit. Current draw levels of less than or more than normal give clues to possible malfunctions. The clamp-on ammeter measures these circuits without breaking the circuit by measuring the strength of the magnetic field developed around each conductor. Current is read by separating the conductors and clamping the jaws of the ammeter around each conductor on which current is read. Low amperage readings indicate problems, such as damaged heating elements, etc. High amperage readings indicate the unit being tested is operating under an increased mechanical or electrical load.

NOTE: Overloads on a circuit breaker or fuse can be traced to the product being tested or the circuit breaker (or fuse) by checking the products current draw. If the amperage reading is less than the breaker reading, the breaker or fuse box is at fault.

Use of Ammeter on dishwasher:

1. **Motor Current** - the reading can be taken at the leads on the motor start relay or at the male connector.
2. **Heating Element Current** - The reading can be taken using either lead to the element.

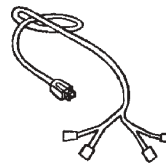
Motor Test Cord

DANGER

To avoid risk of personal injury or death due to electrical shock:

- Disconnect electrical power to dishwasher before servicing.
- Always plug test cord into a properly grounded receptacle.
- Always make connection to components before plugging test cord into receptacle.

A motor test cord may be used to electrically check operation of the various electrical components without removing them from the unit. Testing in this manner merely determines whether or not the part will function independently of other electrical components. In order to make accurate tests, proper connection of the motor test cord is important. With the aid of the drawings under Drive Motor Test, installation of the motor test cord may be done quickly and accurately.



Grounding and Polarity

DANGER

To avoid risk of personal injury or death due to electrical shock:

- Do not cut or remove the grounding prong from any plug.

The receptacle used for all Maytag products operating on 120 VAC must be properly grounded and polarized.


The power cord used on the appliances should be equipped with a three (3) prong polarized grounding plug

Electrical Equipment & Testing

for protection against shock hazard and should be plugged directly into a properly grounded and polarized receptacle.

It is the responsibility of the person installing the appliance to assure it is adequately grounded and polarized at the point of installation, taking into consideration local conditions and requirements. In cases where only a two (2) prong receptacle is available, it is the personal responsibility of the consumer to have it replaced with a properly grounded three (3) prong receptacle. All grounding and wiring should be done in accordance with National, State, and Local codes. **DO NOT USE AN ADAPTER PLUG WITH THIS APPLIANCE.**

ELECTRICAL TESTS

 **WARNING**

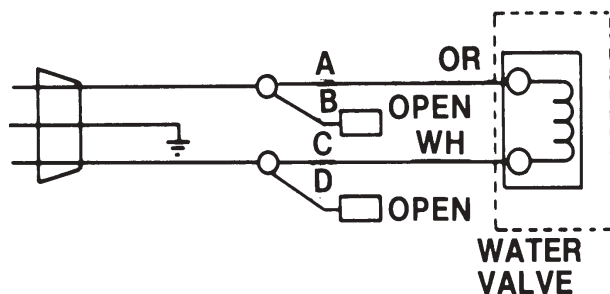
To avoid risk of personal injury or death due to electrical shock:

- Disconnect electrical power to dishwasher before servicing.
- Always plug test cord into a properly grounded receptacle.
- Always make connection to components before plugging test cord into receptacle.

WATER VALVE TEST

The Water Valve may be checked without removing it from the Dishwasher.

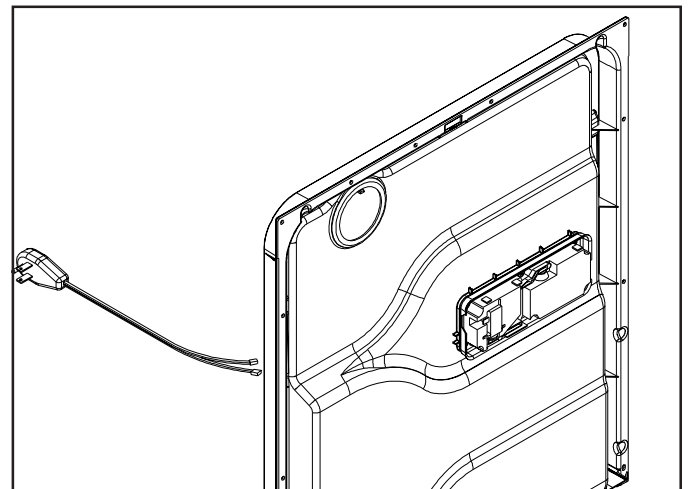
To check the Water Valve for operation, hook up the test cord as follows:



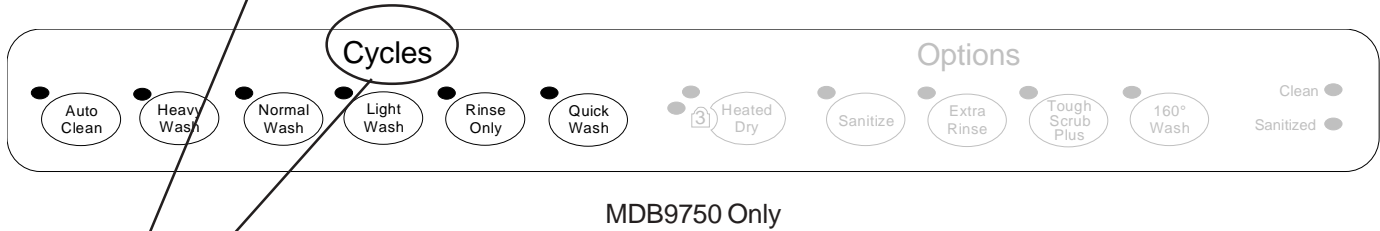
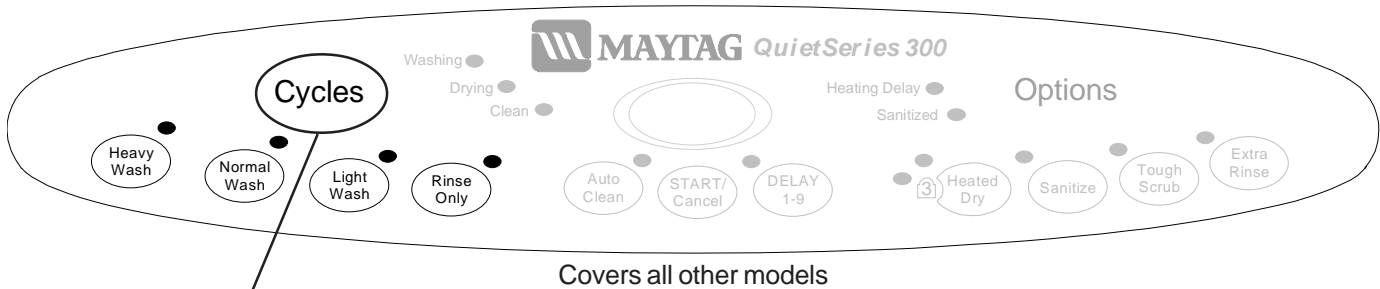
Wax Motor Check Detergent / Rinse Aid Dispenser

A single Wax Motor is used to activate both the release of the Detergent Cup Cover and the rinse aid from the reservoir.

To check the operation of the Wax Motor, removal from the Dispenser Retainer or Inner Door is not necessary. First, snap the Detergent Cup Door shut. Then, connect a Power Test Cord across the two terminals of the Wax Motor. Plug the Power Test Cord into a 120 VAC receptacle. The plunger in the center of the Wax Motor should "push out" and actuate the Dispenser in approximately 45-60 seconds. Remove voltage to the Wax Motor and allow the plunger to retract into the Wax Motor. Apply voltage to the Wax Motor again and observe for proper lifting of the rinse aid plunger.



Cycles & Options



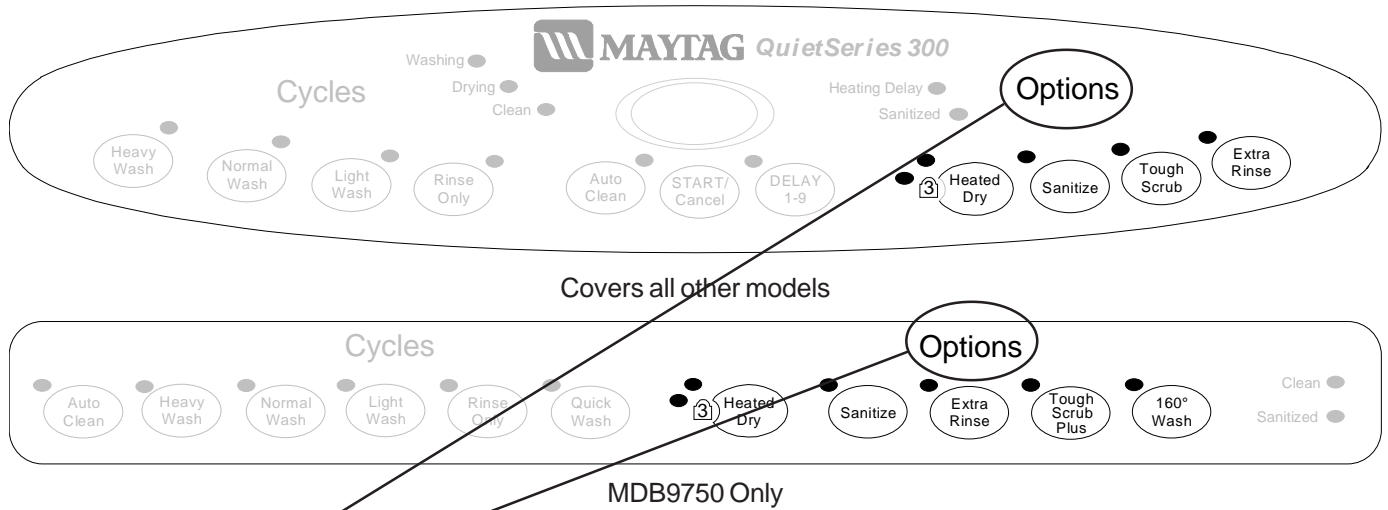
See User's Guide for specific operation.

Cycle

Description

Auto Clean	Designed to auto select the number of fills and length of wash time based on soil level of the dish load. Water usage ranges from 3 to 8 gallons.
Heavy Wash	Designed to provide a longer cycle for washing items with heavy food soils. Water usage is 8 gallons.
Normal Wash	Designed to wash loads containing dishes with normal amounts of food soils. Water usage ranges from 3 to 6 gallons.
Light Wash	Designed to wash loads containing dishes that are lightly soiled. Water usage is 5 gallons.
Quick Wash	Designed for light food soils. The cycle ends with a rinse and does not include drying. Water usage is 4 gallons.
Rinse Only	Rinses dishes being held until the dishwasher is full, and another cycle is selected. This cycle helps reduce the potential for development of odors. Water usage is 2 gallons.

Cycles & Options



See User's Guide for specific operation.

Option

Description

Tough Scrub™
Tough Scrub Plus™

This option adds fills, heat and/or wash time to the wash cycle.

Sanitize

This option monitors cycles for sanitization.

Extra Rinse

This option adds an extra rinse to the cycle which helps in hard water situations.

160° Wash

This option raises temperature in the final rinse to 160° F.

Heated Dry

This option improves drying results by turning the heating element on and off during the dry portion of the cycle.

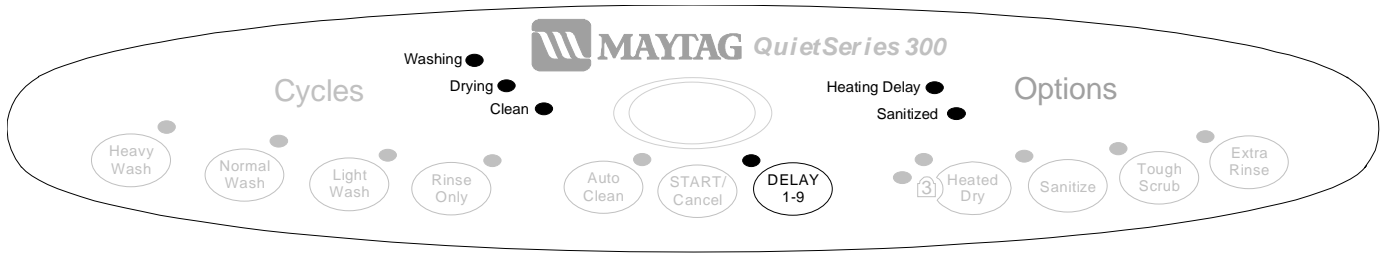
Delay

Delays the start of the dishwasher based on user input.

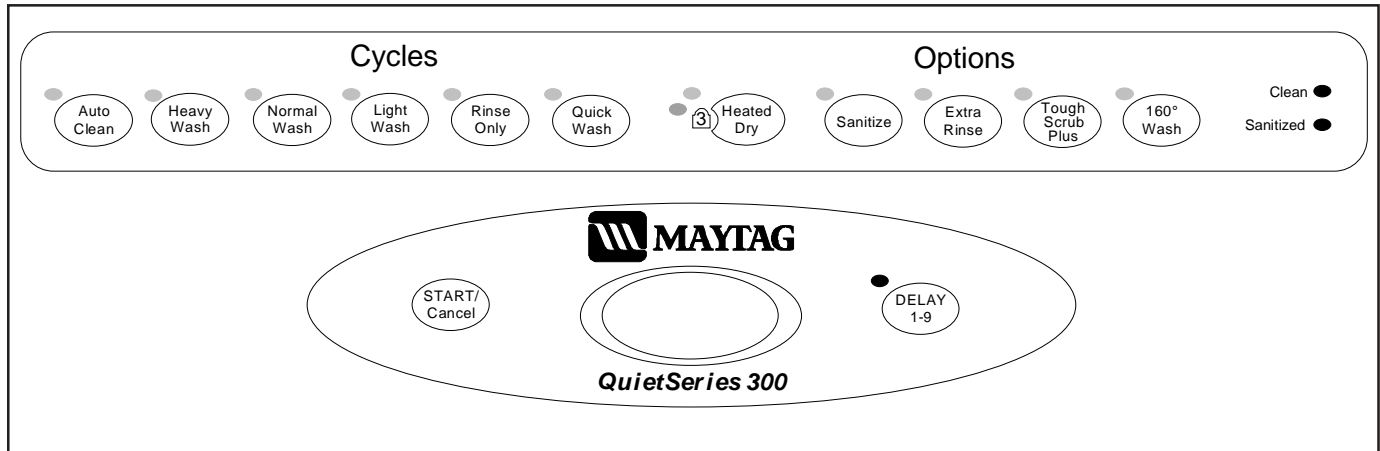
Control Lock

Lock's the control touch pads from unwanted usage. This option does not lock the door.

Cycles & Options



Covers all other models



MDB9750 Only

Display

Clean

Description

The "Clean" light illuminates at the end of the cycle and remains on until the door has been open continuously for 30 seconds.

Drying

The "Drying" light illuminates until the cycle is complete.

Washing

The "Wash" light illuminates through all the rinse and wash portions of the cycle.

Heating Delay

The "Heating Delay" light illuminates when the cycle is being extended to heat the water.

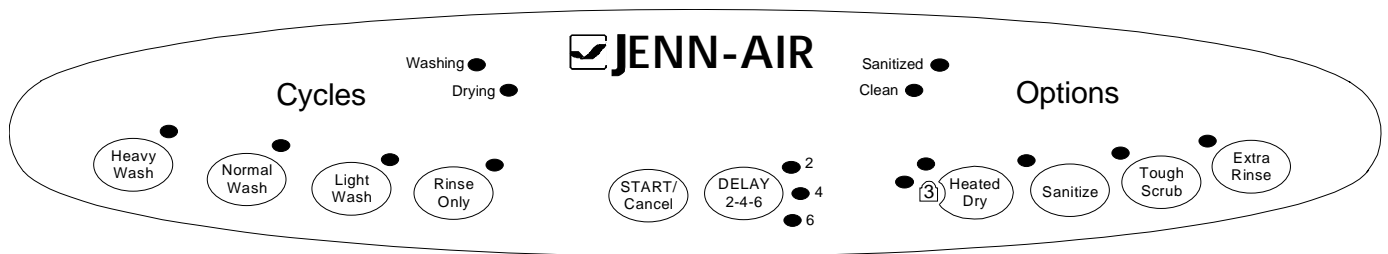
Clean/Sanitized

These two lights illuminate from the end of cycle until the next cycle is selected, or the door has been open continuously for 30 seconds.

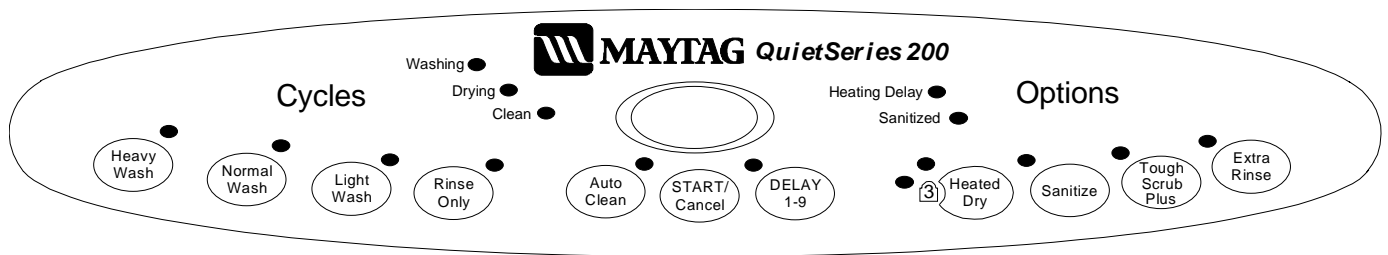
Delay

The "Delay" light will illuminate whenever a delay count down is in progress, or until the "Delay" pad is pressed again.

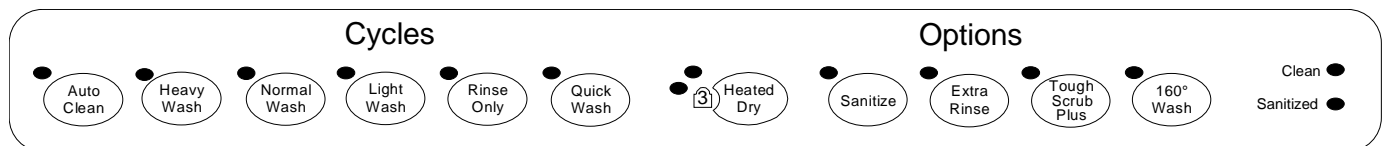
Cycles & Options



JDB1060



MDB8750



MDB9750

Electrical-Mechanical Troubleshooting



WARNING

To avoid risk of electrical shock, personal injury, or death, disconnect electrical power source to unit and discharge capacitor through a 10,000 ohm resistor before attempting to service, unless test procedures require power to be connected. Ensure all ground wires are connected before certifying unit as repaired and/or operational.



CAUTION

Units covered in this manual are polarized. Reversing polarity of a unit or any of its components will cause damage. To avoid reversing polarity, any wires disconnected or removed during service *must* be reconnected to the same location. To ensure wires are reconnected to the proper location, tag or otherwise mark the wires before disconnecting or removing.

Will Not Fill

Water Access Valve

Check to determine if the valve is turned on and water is available to the Dishwasher. Check water pressure.

Circuit Breaker/Fuse

Check for tripped breaker or blown fuse. Reset or replace as necessary.

Door Latch

Check door switches for continuity. With door switches engaged, no continuity, replace switch.

Float

Check float position. If in the up position, check for obstruction or disengagement from the Float Switch Arm.

Float Switch

If the float is in the down position, check the switch for continuity. If no continuity, replace the Float Switch.

Water Valve

Check Solenoid for continuity. No continuity, replace Water Valve. Check Inlet Screen for restrictions. Clean screen or replace Water Valve as necessary. (See section 5).

Wiring/Electrical Connections

Check for loose or frayed wire terminal connections. Check for broken wire within harness. Repair or replace as necessary.

Overflows

Water Valve

Check that water continues to flow when electrical power is turned off. If the water continues to flow without electrical power, replace Water Valve.

NOTE: Low water pressure can result in failure of the Water Valve to close properly.

Float

Ensure that the Float isn't stuck in the down position. Check for sediment buildup. Clean and/or replace as necessary.

Float Switch Actuator Lever

Check the actuator lever on the bracket. It must be able to move freely. Repair or replace as necessary. (See section 5).

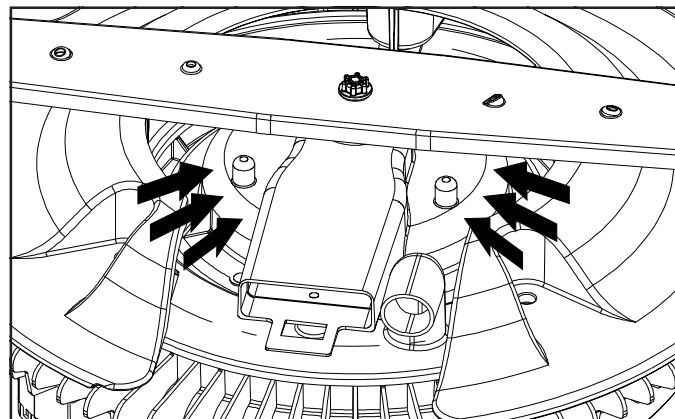
Float Switch

Check Float Switch for continuity with the Float in the up position. If continuity is present and Float moves up and down freely, replace Float Switch.

POOR WATER CIRCULATION

Water Level - Too Low

Normal water fill should be at level depicted by arrows.



Pump Assembly

Check assembly for obstructions or restricted movement of parts. Repair and/or replace parts as necessary.

Electrical-Mechanical Troubleshooting



WARNING

To avoid risk of electrical shock, personal injury, or death, disconnect electrical power source to unit and discharge capacitor through a 10,000 ohm resistor before attempting to service, unless test procedures require power to be connected. Ensure all ground wires are connected before certifying unit as repaired and/or operational.

Filters

Check for blockage of Strainer, Over Pressure Filter.
Repair as necessary.

Poor Washability

Spray Arms

Check all Spray Arms for blockage of water ports or cracks. Check for proper rack loading to avoid interference with Spray Arms during wash action. Check for proper sealing, fastening, and movement of Spray Arms. Repair as necessary.

Filters

Check for blockage of Strainer, Primary Filter, and Filter Support. Repair as necessary.

Detergent Cup Cover

Check spring hinge operation of Detergent Cup Cover.
Repair as necessary.

Detergent Cup

Check operation of Detergent Cup Assembly, Wax Motor, Actuator, Linkage, and Cover Latch. Repair and/or replace parts as necessary. **Note:** For testing of Wax Motor, see Section 2.

Rinse Dispenser

Check level of rinse aid in reservoir. Check rinse aid dispenser setting.

Wash Delivery System

Check manifold and Docking Station for good seal and no leaks.

Will Not Drain

Inadequate Drainage

Check Drain Pump for proper operation. Check the drain pipe connections and repair as needed. If draining into the garbage disposal, check for unprocessed food waste at drain hose connection to disposer. Clean out as needed.

Drain Hose

Check drain hose for kink or restrictions. Reroute or remove any restriction of drain hose as needed.

Pump Assembly

Check pump assembly for obstructions or restricted parts. Repair or replace parts as necessary.

Wiring/Electrical Connections

Check for loose or frayed wire terminal connections. Check for broken wire within harness. Repair or replace as necessary.

Continues To Drain

Control Board

Check Control Board for proper operation.

Poor Drying

Water Temperature

Check for low water temperature. Temperature should be between 120 - 150 degrees Fahrenheit. If not, advise consumer to adjust water heater setting. Encourage consumer to purge water lines to the dishwasher area prior to starting the dishwasher.

Cycle Options

Advise consumer use of options available on dishwasher that improve drying. Options that improve drying are Heated Dry, and 160° Wash.

Detergent

Check water hardness. Instruct consumer on detergent usage, one teaspoon of detergent per grain of water hardness.

Rinse Dispenser

Check level of rinse aid in reservoir. Check dispenser setting under cap. Use "MAX" for hard water conditions.

Improper Rack Loading

Check how the consumer loads the dishes into the racks. Improper loading of some types of dishes can trap water which causes dishes not to dry.

Heating Element

Check load readings listed on Technical Sheet located behind Toe Panel.

Electrical Mechanical Troubleshooting



WARNING

To avoid risk of electrical shock, personal injury, or death, disconnect electrical power source to unit and discharge capacitor through a 10,000 ohm resistor before attempting to service, unless test procedures require power to be connected. Ensure all ground wires are connected before certifying unit as repaired and/or operational.

Thermostat

Check mating surface of the High Limit Thermostat face to surface of tub enclosure. Contact area must be flat. Adjust the thermostat placement if necessary. See Technical Sheet, located behind Toe Panel for thermostat data.

Water Leaks

Installation

Check Dishwasher for proper leveling and squareness in cabinet.

Door Alignment

Check proper alignment of Door Liner to Door Gasket.

Door Gasket

Check for torn or damaged Door Gasket. Repair or replace as necessary.

Hoses

Check for loose hose clamps or hoses that leak. Tighten hose clamps or replace hoses as needed.

Spray Arms / Manifold

Check for cracks and replace as necessary.

Detergent / Rinse Aid Dispenser Seal

Check Rinse Aid Dispenser Seal for proper positioning or cracking. Reposition or replace as needed.

Water Valve

Check Water Valve body for damage and leaks. Replace if necessary. Also, check plumbing connections to Water Valve.

Wash Motor Assembly

Check for water leak between Pump Assembly and tub.

Drain Pump Assembly

Check Pump Assembly Housing for cracks. Check Drain Pump "O" ring for leaks.

Noise

Banging

Check for loose Spray Arms. Check for dishes interfering with Spray Arm rotation. See loading information in the User's Guide at the end of this manual.

Hammering/Chattering

Check Water Valve for, noise, low voltage, or high valve coil resistance. Replace Water Valve if needed. Also, check incoming water supply line for proper size and pressure. Make sure the supply line is secured.

Grinding

Check for objects in Pump Assembly. If objects are found, inspect Pump Assembly for damage. Repair as needed.

Vibration

Check components for source of vibration. Adjust and/or tighten as needed.

Will Not Start Or Program

Control Board

Check incoming voltage to Control Board.

Membrane Switch

Check for proper operation of Membrane Switch. See membrane readings on the Technical Sheet located behind toe panel.

NOTE: Make sure the pin connectors are making proper contact with pins on the Control Board. If the voltage is correct into the Control Board, and the board will not activate, replace board.

Will Not Fill

Water Valve

Check Water Valve circuit. See Technical Sheet for water valve data located behind toe panel.

NOTE: Make sure the pin connectors are making proper contact with pins on the Control Board.

Electrical Mechanical Troubleshooting



WARNING

To avoid risk of electrical shock, personal injury, or death, disconnect electrical power source to unit and discharge capacitor through a 10,000 ohm resistor before attempting to service, unless test procedures require power to be connected. Ensure all ground wires are connected before certifying unit as repaired and/or operational.

Will Not Wash

Wash Motor

Check Wash Motor circuit. See data listed on the Technical Sheet, located behind toe panel.

Will Not Drain

Drain Motor

Check Drain Motor circuit. See data listed on the Technical Sheet, located behind Toe Panel.

Will Not Dry

Vent Assembly

Check Vent Assembly for proper operation.

Heating Element

Check Heating Element circuit. See data listed on the Technical Sheet, located behind Toe Panel.

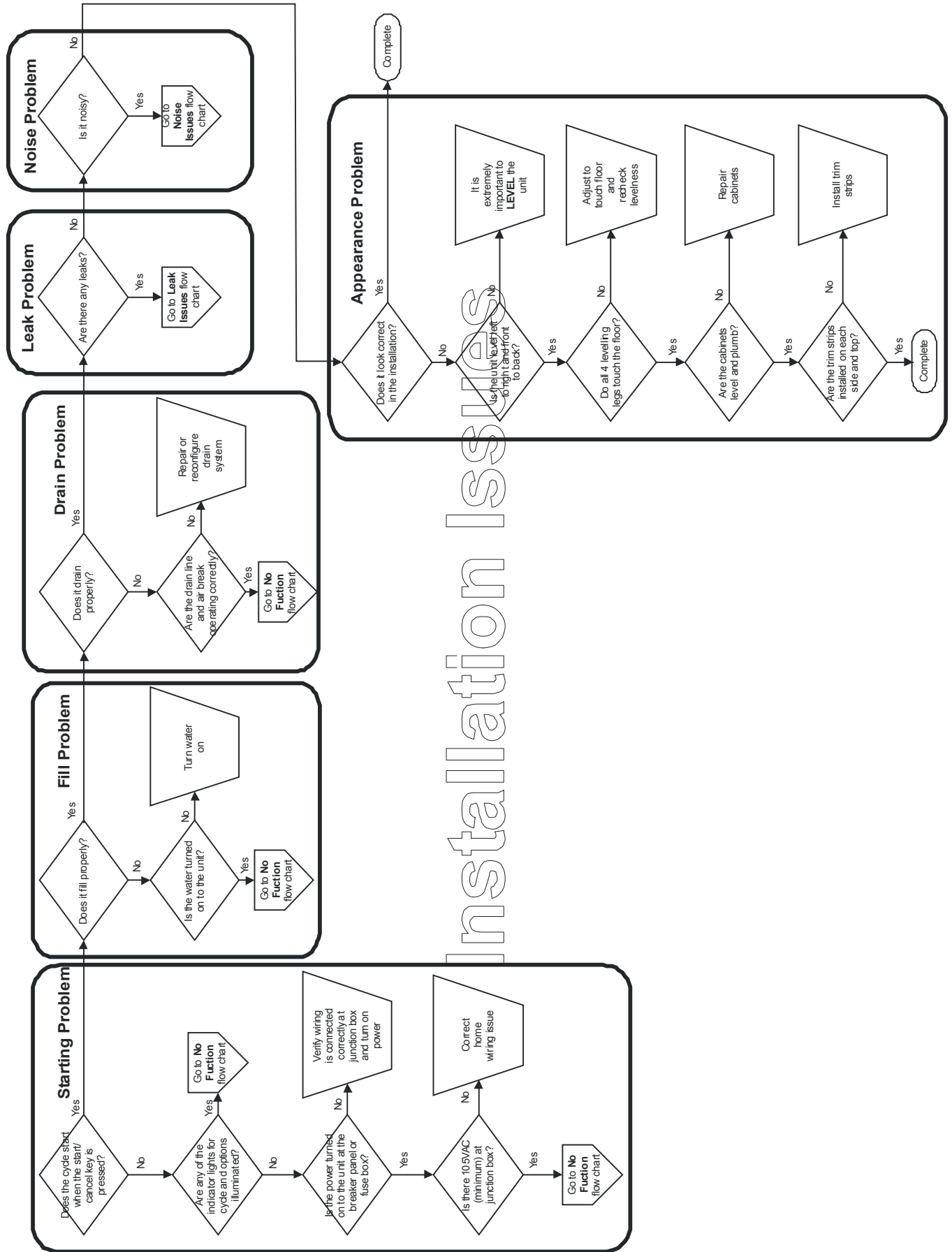
Manual Function Test

See Technical Sheet, located behind Toe Panel.

Field Service Test

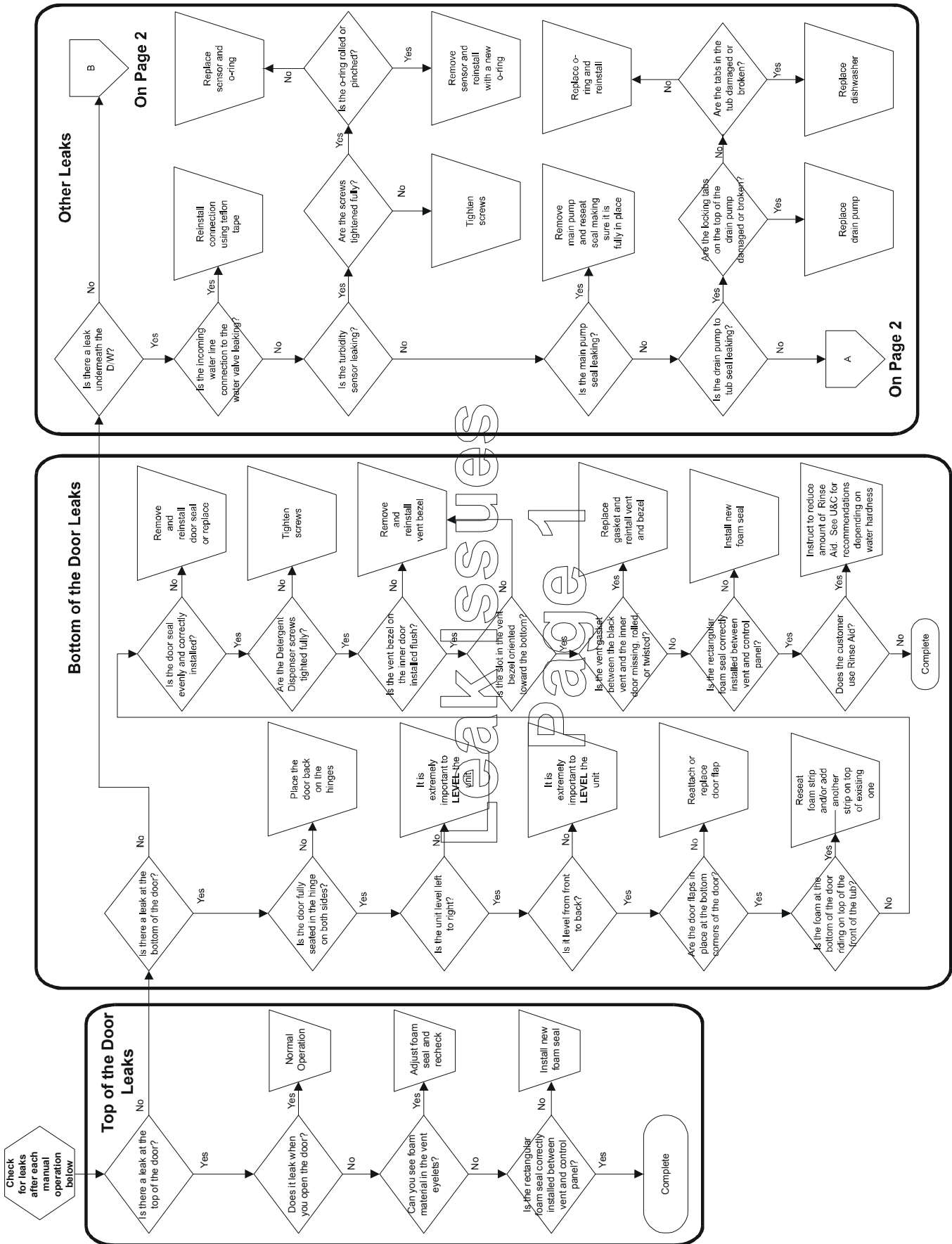
See Technical Sheet, located behind Toe Panel.

Troubleshooting Flow Chart

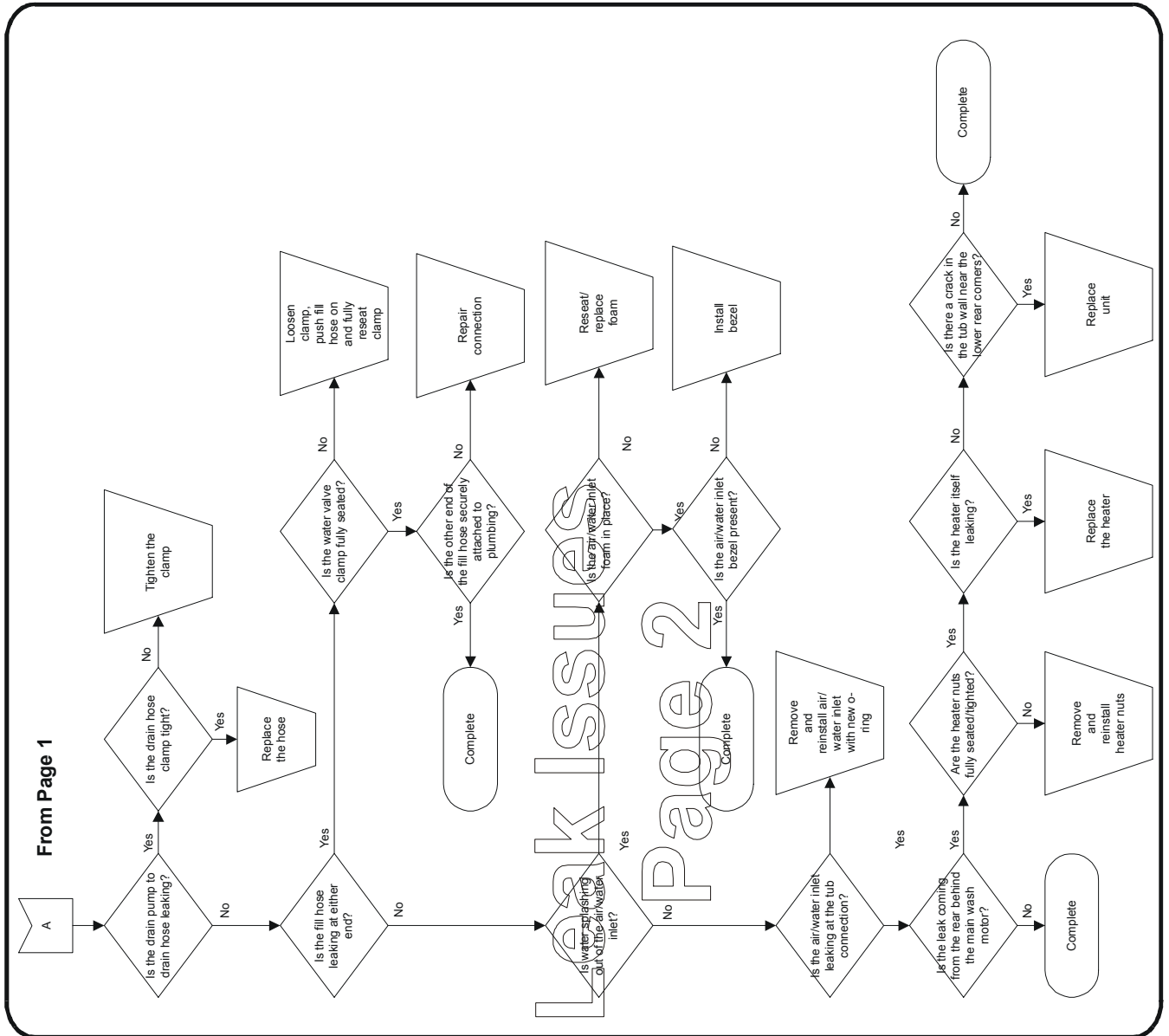
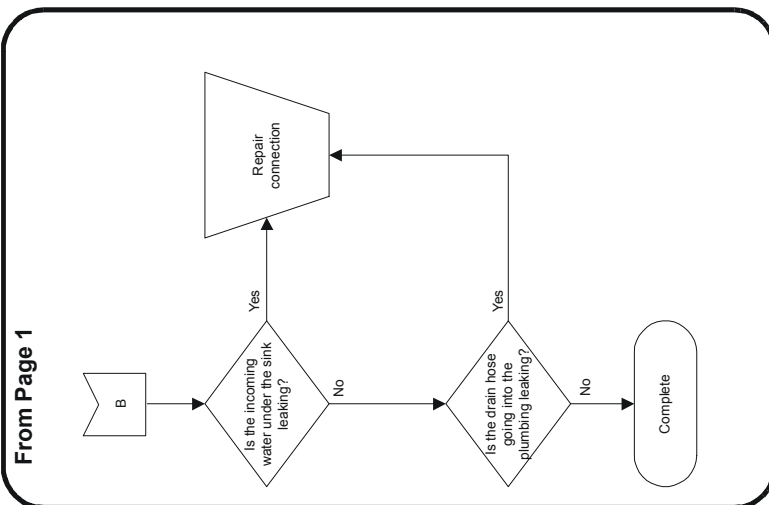


Installation Issues

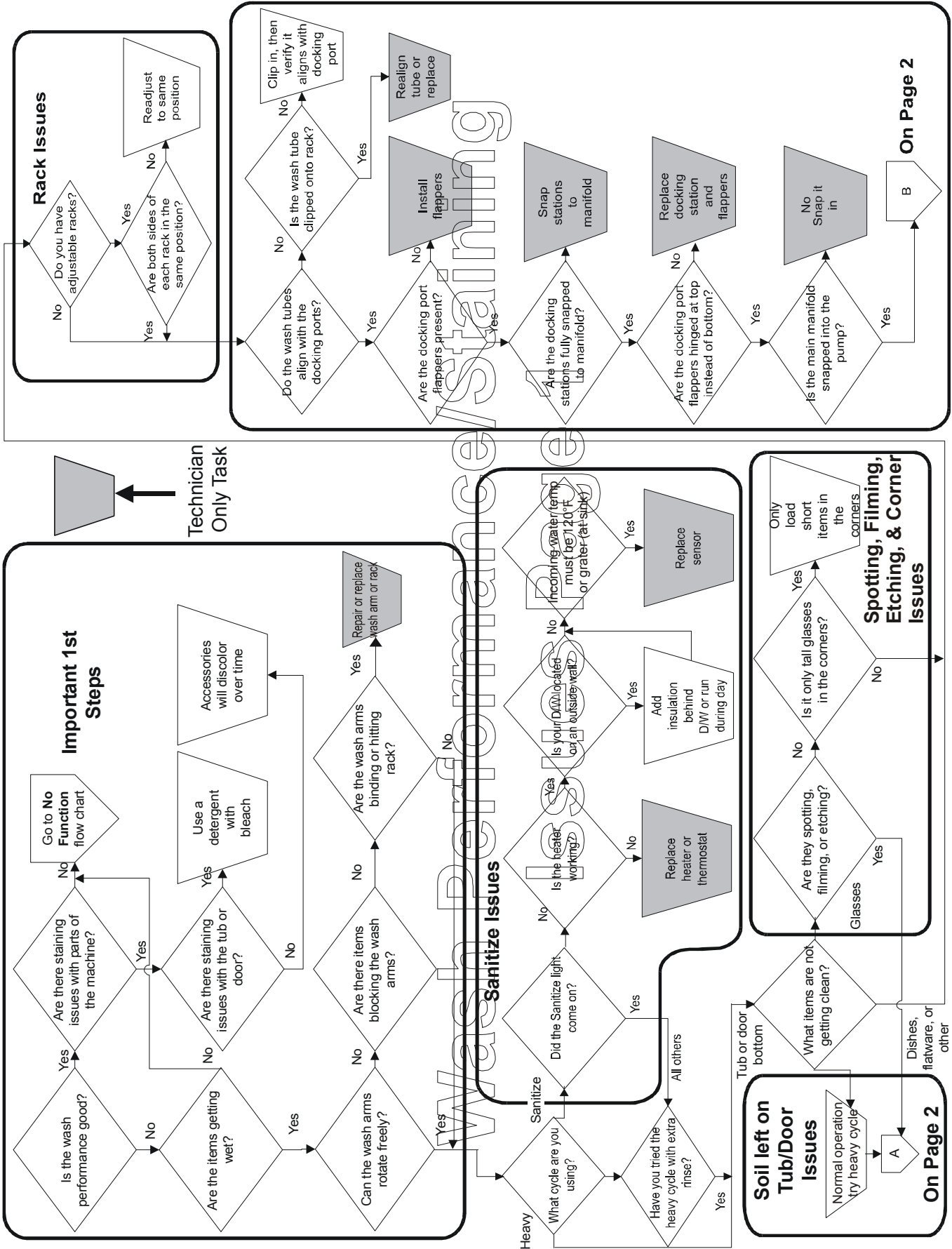
Troubleshooting Flow Chart



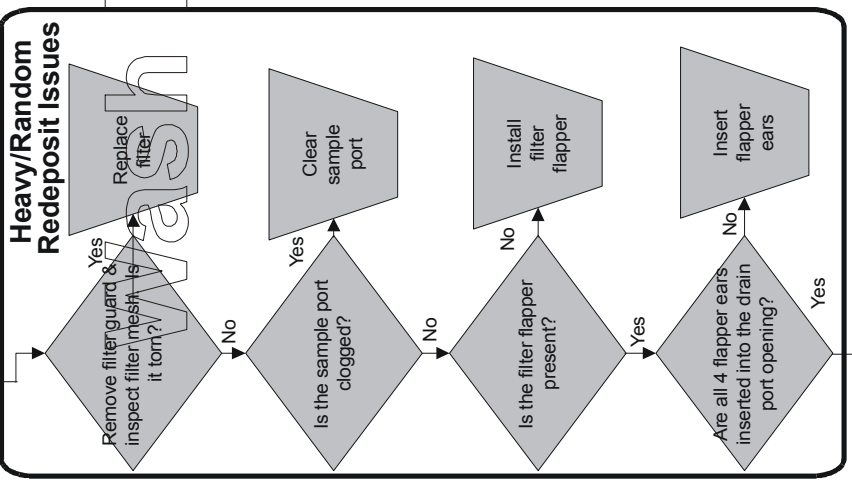
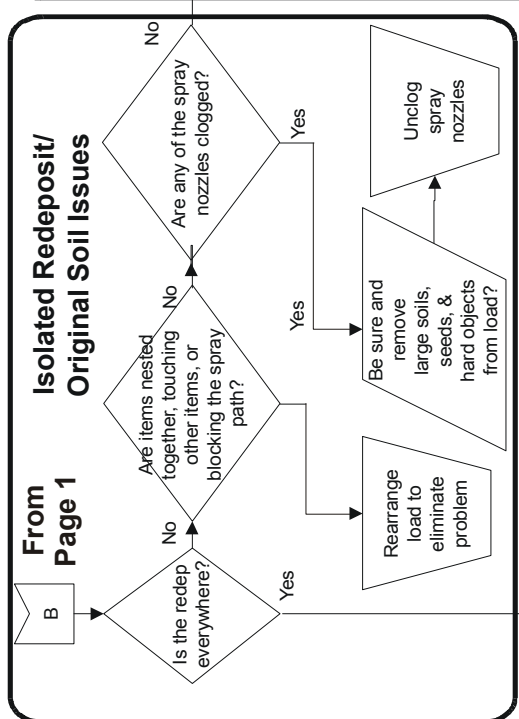
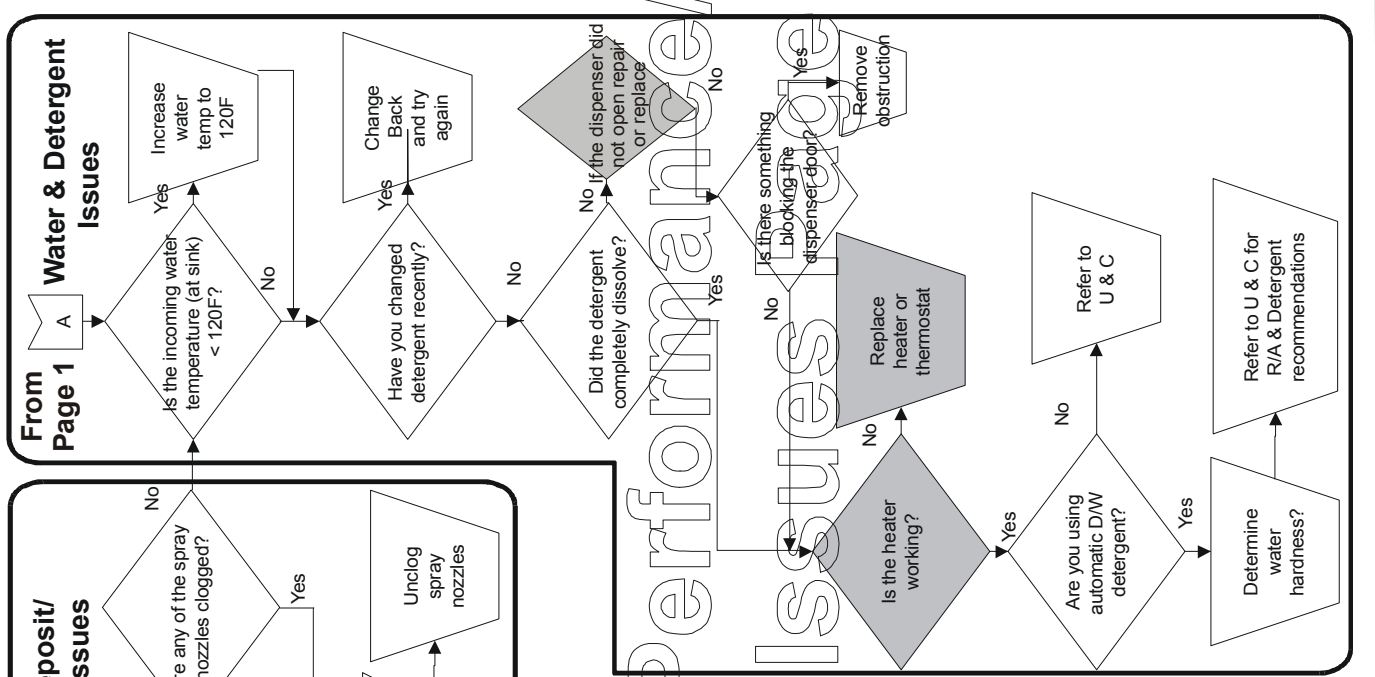
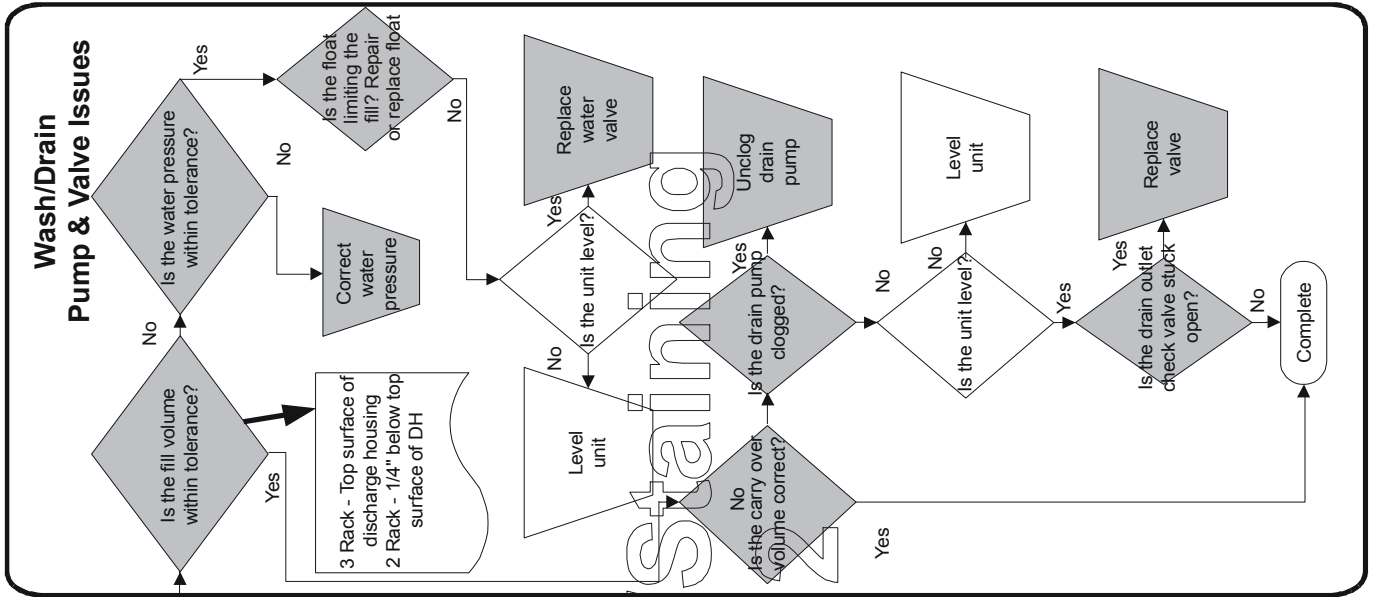
Troubleshooting Flow Chart



Troubleshooting Flow Chart

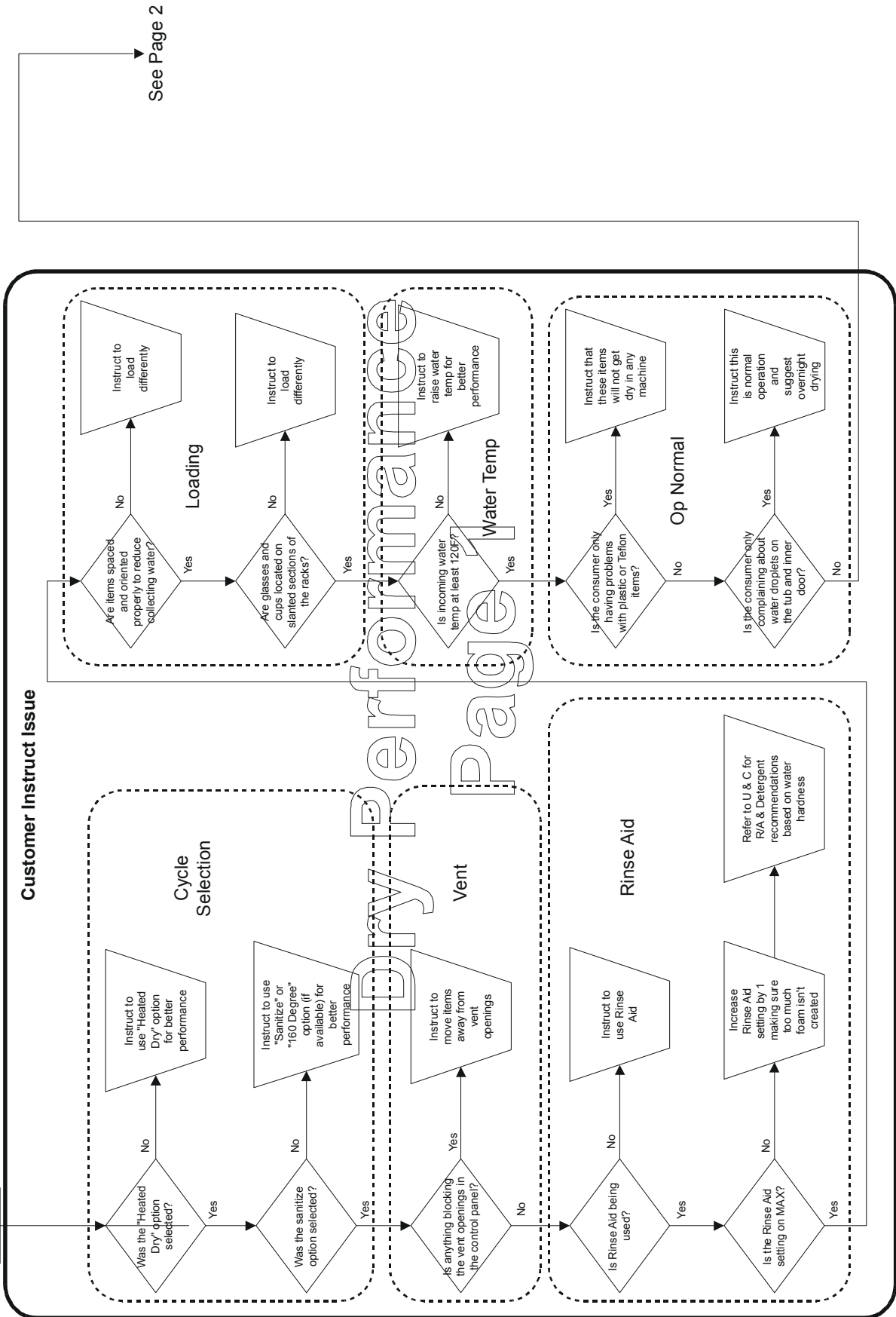


Troubleshooting Flow Chart

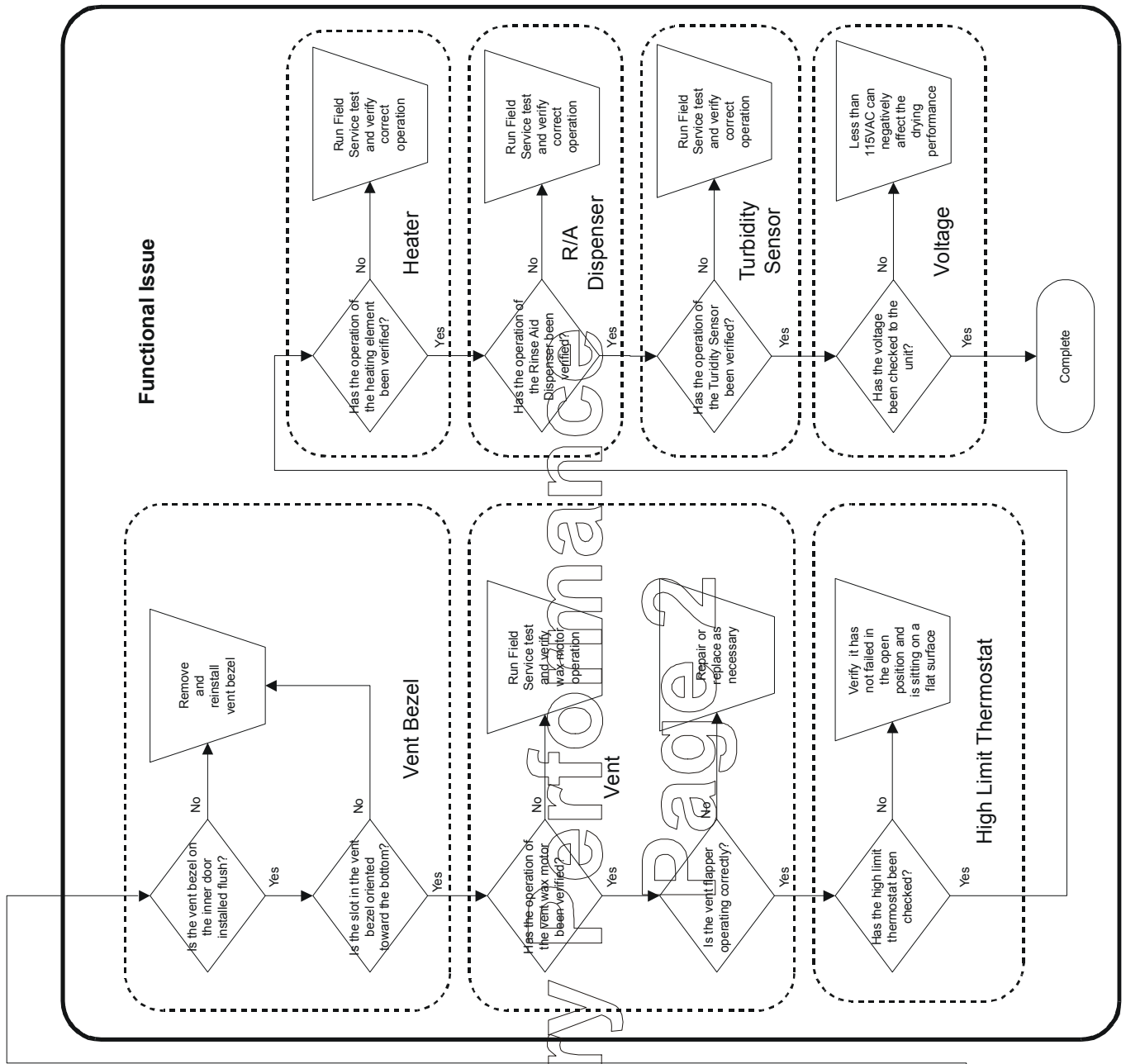


Troubleshooting Flow Chart

IMPORTANT
This flow chart assumes all wire connections have been checked

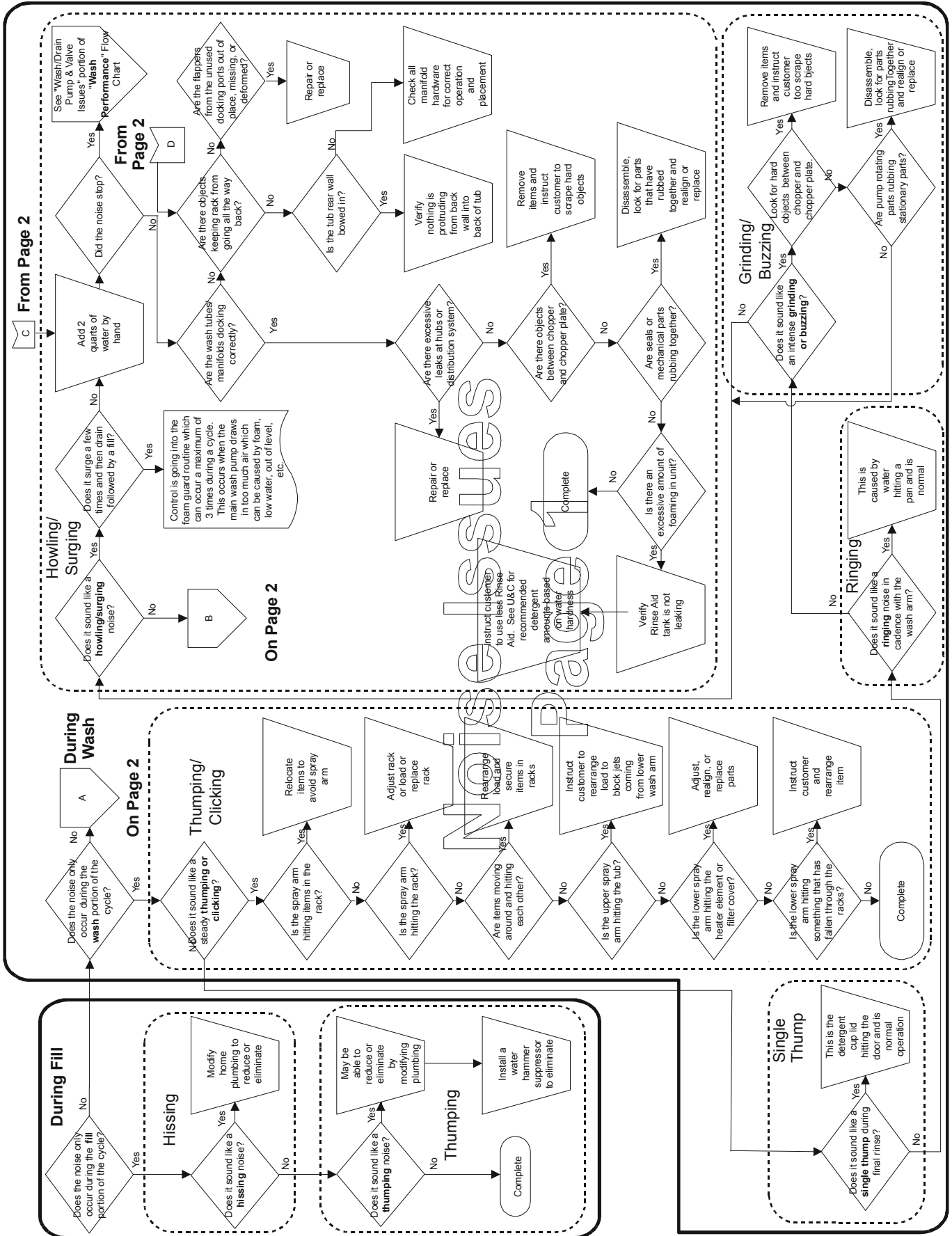


Troubleshooting Flow Chart

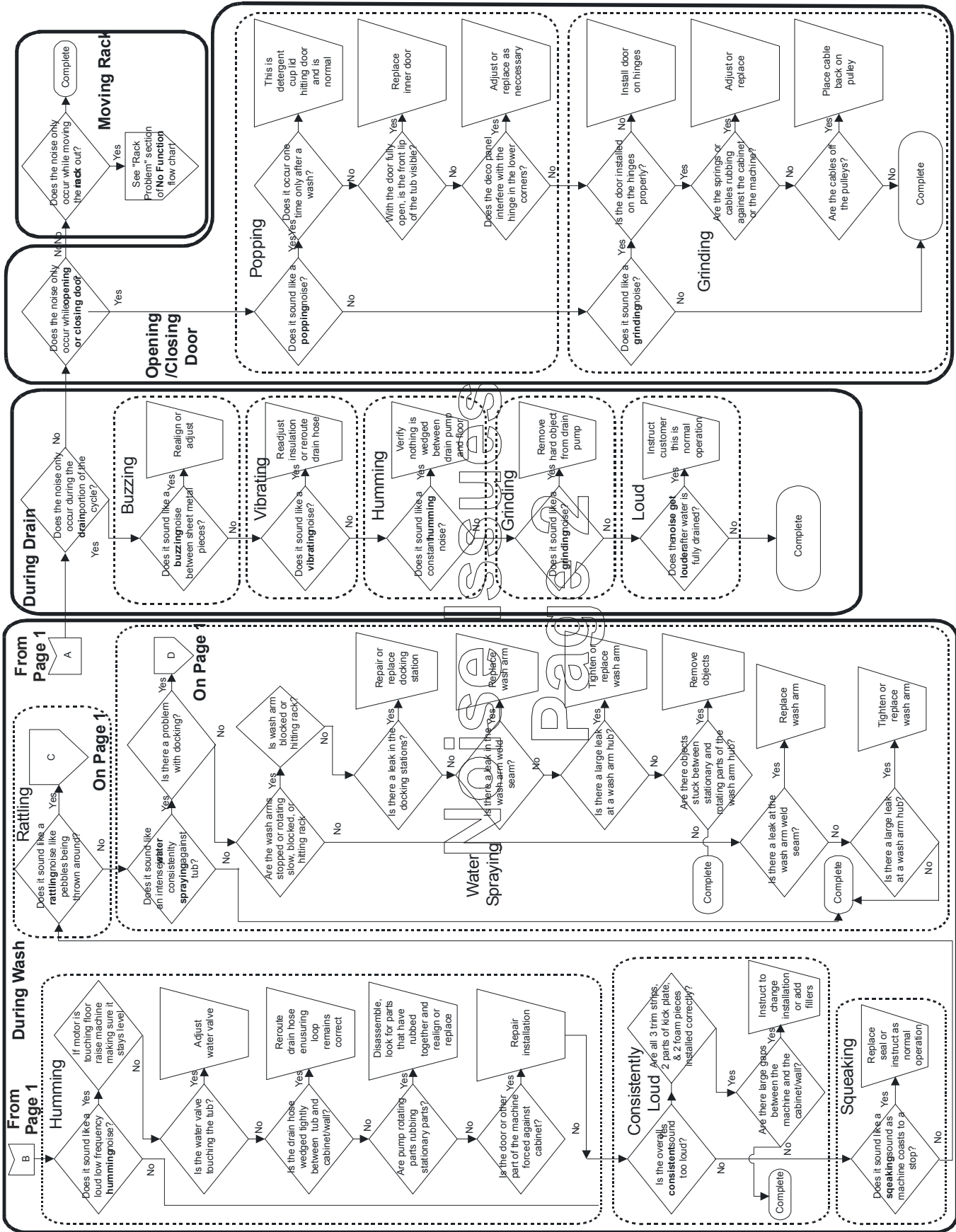


From Page 1

Troubleshooting Flow Chart



Troubleshooting Flow Chart



Service and Disassembly Procedures



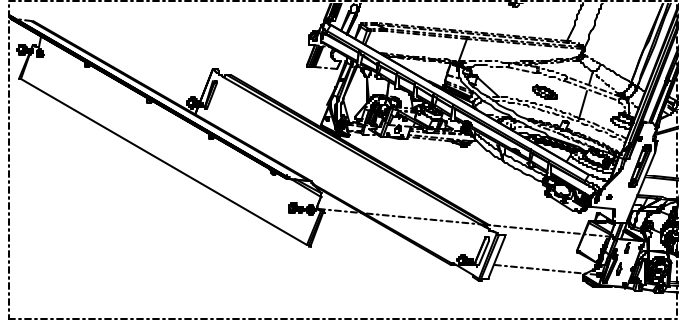
WARNING

To avoid risk of electrical shock, personal injury, or death, disconnect electrical power source to unit and discharge capacitor through a 10,000 ohm resistor before attempting to service, unless test procedures require power to be connected. Ensure all ground wires are connected before certifying unit as repaired and/or operational.

The following paragraphs describe how to disassemble unit under test. Disassembly to some extent is required to install unit, to perform troubleshooting procedures, and to remove and replace failed components.

Component names used throughout disassembly procedures are the same as those used in Parts Manuals.

For quicker reassembly, disassemble unit under test only to extent necessary to troubleshoot and repair. Unless noted, reassembly is opposite of disassembly.



WARNING

To avoid risk of personal injury or death due to electrical shock, ground wires and wires colored like ground wires are **NOT** to be used as current carrying conductors. The standard accepted color coding for ground wires is **green** or **green with a yellow stripe**. Electrical components such as the water valve and motor are grounded through an individual wire attached to the electrical component. Ground wires should not be removed from individual components while servicing, unless the component is to be removed and replaced. It is extremely important to replace all removed ground wires before completing service.

Front Support and Toe Panel Removal

Removal of Front Support and Toe Panel will allow access to the Water Valve, Float Switch Assembly, Electrical Junction Box, hoses, thermostats, Start Capacitor and Motor/Pump Assembly.

Removal

1. **Disconnect power to the machine.**
2. The Front Support Panel is held by 2 screws, one each side. Remove both screws.
3. The Toe Panel is held by 2 screws, one each side.

Service and Disassembly Procedures



WARNING

To avoid risk of electrical shock, personal injury, or death, disconnect electrical power source to unit and discharge capacitor through a 10,000 ohm resistor before attempting to service, unless test procedures require power to be connected. Ensure all ground wires are connected before certifying unit as repaired and/or operational.

Inner Door Panel

Removal of the Inner Door Panel will allow access to the Microprocessor Board, Door Switches, Detergent / Rinse Aid Dispenser, and Vent Assembly.

Removal

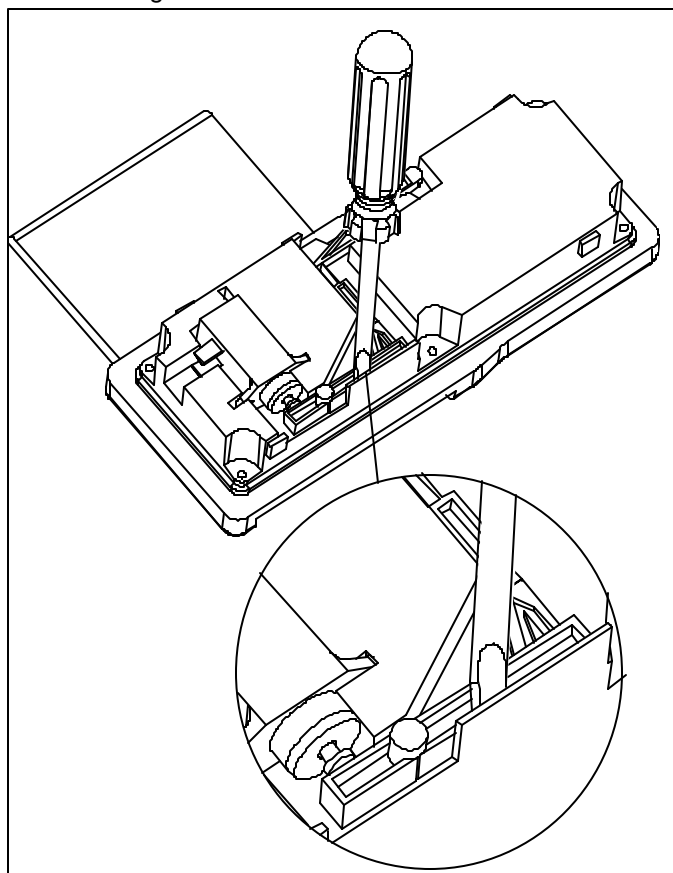
1. **Disconnect power to the machine.**
2. Open the Dishwasher door.
3. Remove the 11 Torx™ screws along the sides and top of the Inner Door Panel.
4. Separate the Inner Door Panel from the Outer Door.
5. Disconnect wires from the Dispenser Wax Motors before pulling the Inner Door Panel away from the Dishwasher.

IMPORTANT: When replacing Inner Door Panel, remove Inner Door reinforcement, Bottom Seal and install on new panel.

Detergent / Rinse Dispenser Mechanism and Reservoir

Checking Operation

1. **Disconnect power to the machine.**
2. Remove the Inner Door Panel. (See paragraph Inner Door Panel removal).
3. Snap the Detergent Door shut.
4. Gently lift the lever of the dispenser mechanism until a click is heard. The Detergent Door releases. Release the lever.
5. Lift the lever again. Now the actuator will lift the Rinse Aid Plunger.



Service and Disassembly Procedures



WARNING

To avoid risk of electrical shock, personal injury, or death, disconnect electrical power source to unit and discharge capacitor through a 10,000 ohm resistor before attempting to service, unless test procedures require power to be connected. Ensure all ground wires are connected before certifying unit as repaired and/or operational.

Wax Motor Detergent / Rinse Dispenser

Removal

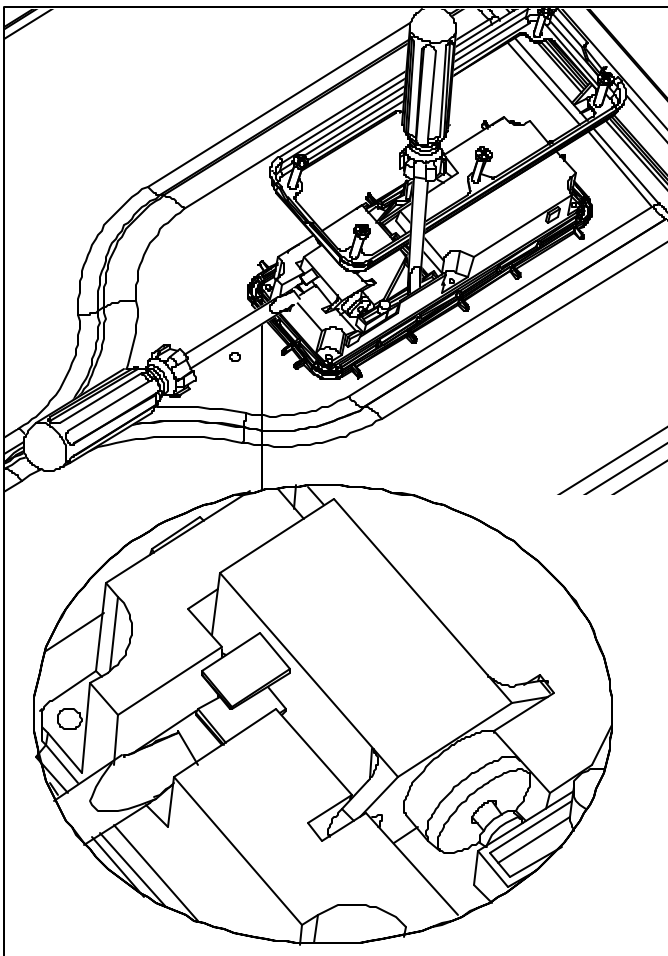
1. **Disconnect power to the machine.**
2. Remove the Inner Door Panel. (See paragraph Inner Door Panel removal).
3. Remove the 6 mounting screws securing the Detergent Dispenser mounting bracket.
4. To remove the Wax Motor, pry out of retainer.
NOTE: It is not necessary to remove Detergent Dispenser before removing Wax Motor.

Wire Cover

The Wire Cover retains the Wire Harness to the bottom of the Tub. It is located on the bottom side of the Tub.

Removal

1. **Disconnect power to the machine.**
2. Remove Front Support and Toe Panel. (See paragraph Front Support and Toe Panel removal).
3. Remove 2 screws securing Wire Cover to bottom of Tub.
4. Feed Wire Harness out of bracket.

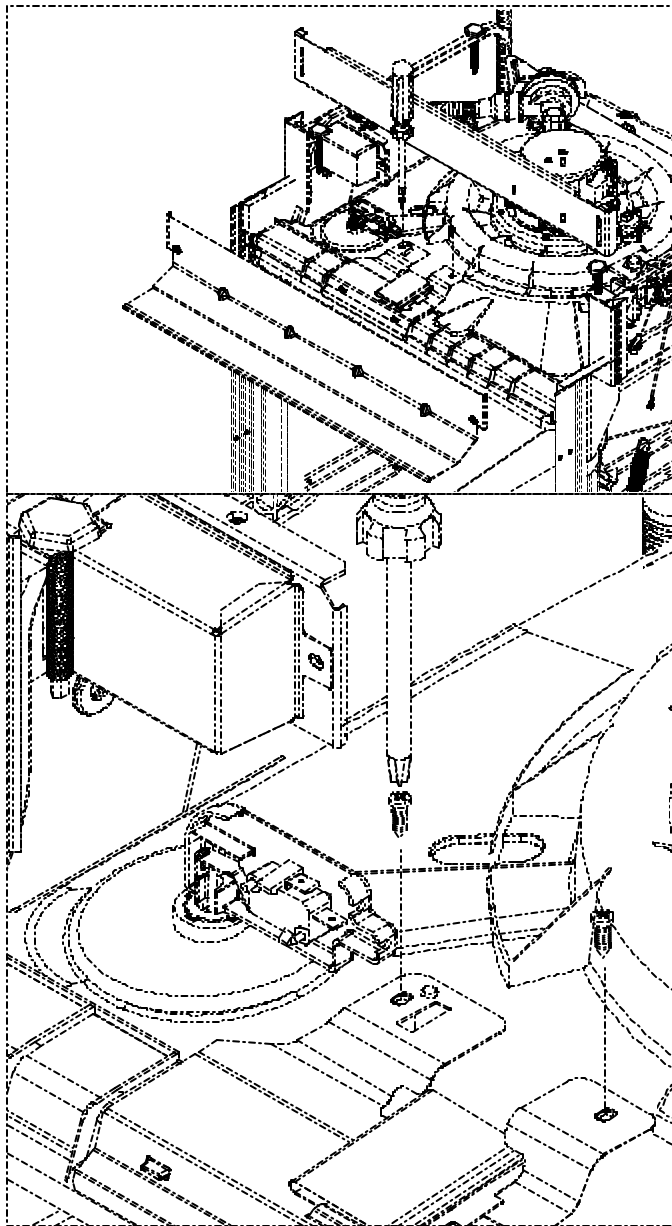


Service and Disassembly Procedures



WARNING

To avoid risk of electrical shock, personal injury, or death, disconnect electrical power source to unit and discharge capacitor through a 10,000 ohm resistor before attempting to service, unless test procedures require power to be connected. Ensure all ground wires are connected before certifying unit as repaired and/or operational.



Door Latch & Switch Holder Assembly

Two Door Switches are used in the Latch Assembly. Both switches are normally CLOSED and will open only when engaged by the Door Latch mechanism. Each switch is in series with respect to L1 and neutral line operations. Failure of either or both switches will result in rendering the Dishwasher inoperative.

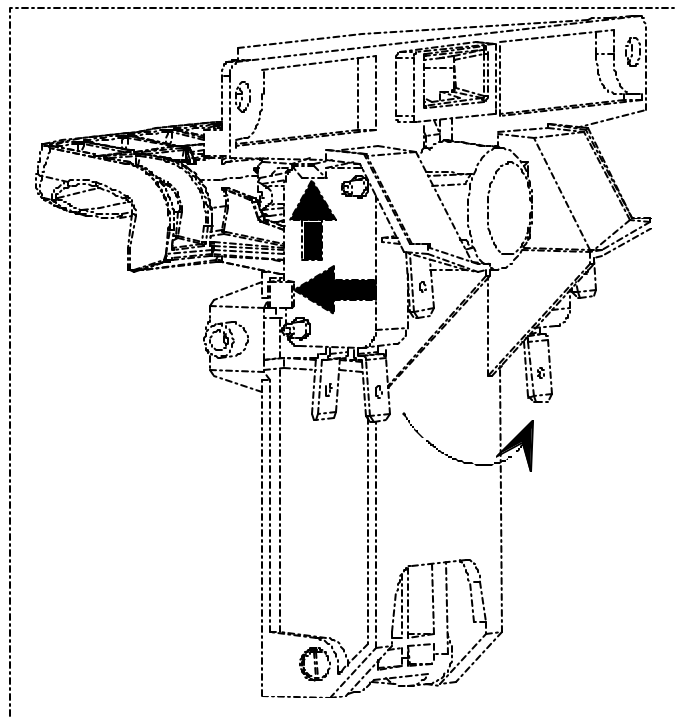
NOTE: Door Switches require no field adjustment.

Removal

1. Disconnect power to the machine.
2. Remove the Inner Door Panel. (See paragraph Inner Door Panel removal).
3. Lift Door Latch Assembly out.

Switch Removal

1. Disconnect power to the machine.
2. Remove the Inner Door Panel. (See paragraph Inner Door Panel removal).
3. Remove Door Latch and Switch Holder Assembly.
4. Depress locking tabs and lift switch from holder.



Service and Disassembly Procedures



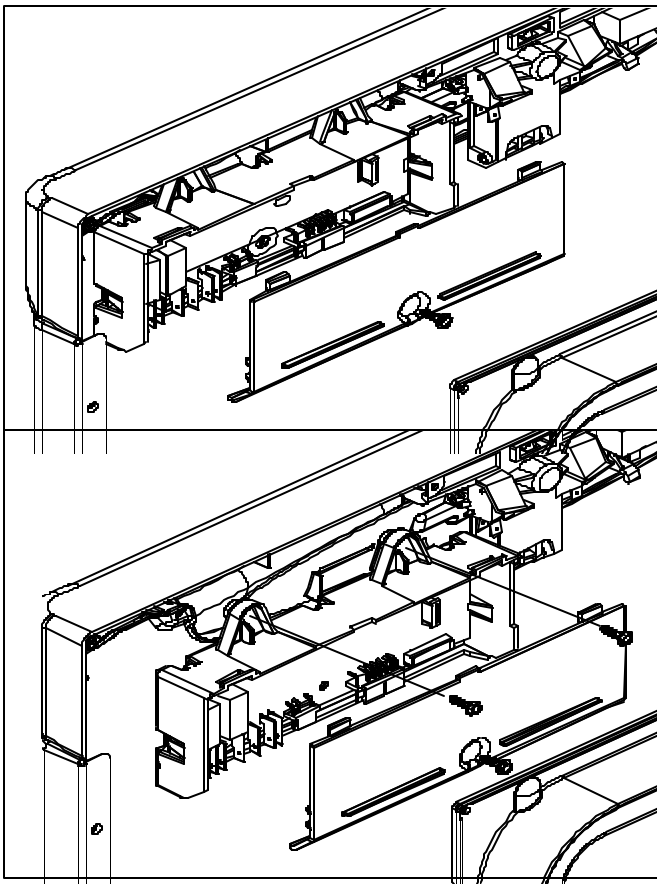
WARNING

To avoid risk of electrical shock, personal injury, or death, disconnect electrical power source to unit and discharge capacitor through a 10,000 ohm resistor before attempting to service, unless test procedures require power to be connected. Ensure all ground wires are connected before certifying unit as repaired and/or operational.

PC Board

Removal

1. **Disconnect power to the machine.**
2. Remove the Inner Door Panel. (See paragraph Inner Door Panel removal).
3. To access PC Board, remove 1/4" screw on PC Board Housing Cover.
4. To remove PC Board, loosen (2) 1/4" screws securing PC Board Base to Control Panel.
5. Remove pin and ribbon connectors from PC Board.
6. Depress tabs on PC Board Housing to remove PC Board.



Technical Sheet

The Dishwasher Technical Sheet is located behind the Toe Panel. The Schematic Diagram is unique to each model and contains the following:

- Timing Sequence Chart
- Load Readings
- Component Specifications
- Manual Function Test
- Field Service Test
- Electrical Schematic

Control Panel

The Membrane/Facia on the Control Console is not replaceable.

Removal

1. **Disconnect power to the machine.**
2. Remove the Inner Door Panel. (See paragraph Inner Door Panel removal).
3. Remove PC Board Housing Cover. (See paragraph PC Board removal).
4. Disconnect Membrane Switch from PC Board.
5. Remove PC Board Base.
6. Lift out Latch Assembly.
7. Remove 4 screws securing Control Panel to Outer Door.

NOTE: Facia is susceptible to damage during reinstallation.

DOOR LATCH STRIKE

The Door Latch serves as a mechanical actuator for Door Switch operation and provides door tension for proper door seal.

Service and Disassembly Procedures

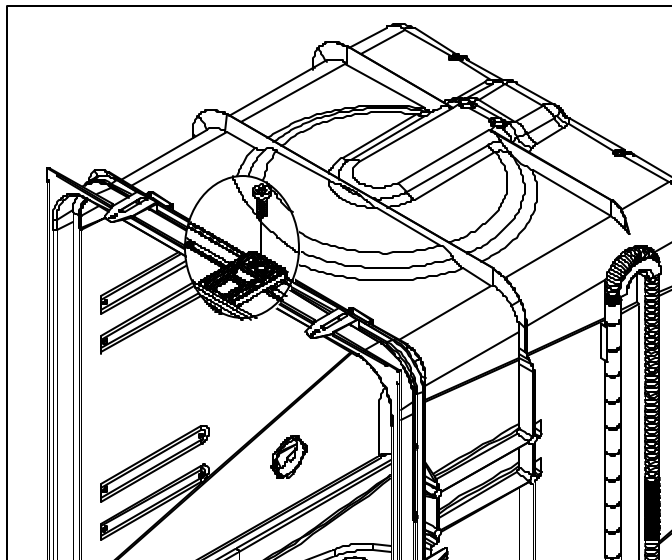


WARNING

To avoid risk of electrical shock, personal injury, or death, disconnect electrical power source to unit and discharge capacitor through a 10,000 ohm resistor before attempting to service, unless test procedures require power to be connected. Ensure all ground wires are connected before certifying unit as repaired and/or operational.

Removal

1. Disconnect power to the machine.
2. Remove Torx™ screw securing Strike to Tub.



5. Check for proper Door Latch adjustment to ensure proper door sealing.

Outer Door

Removal

1. Disconnect power to the machine.
2. Remove the Inner Door Panel. (See paragraph Inner Door Panel removal).
3. Remove 2 screws securing PC Board Base to Inner Door Panel.
4. Lift off Latch Assembly.
5. Lay Outer Door to it's fully open position.
6. Prop door open, by inserting an object into the 1/8" dia. hole in hinge bracket.

DOOR GASKET

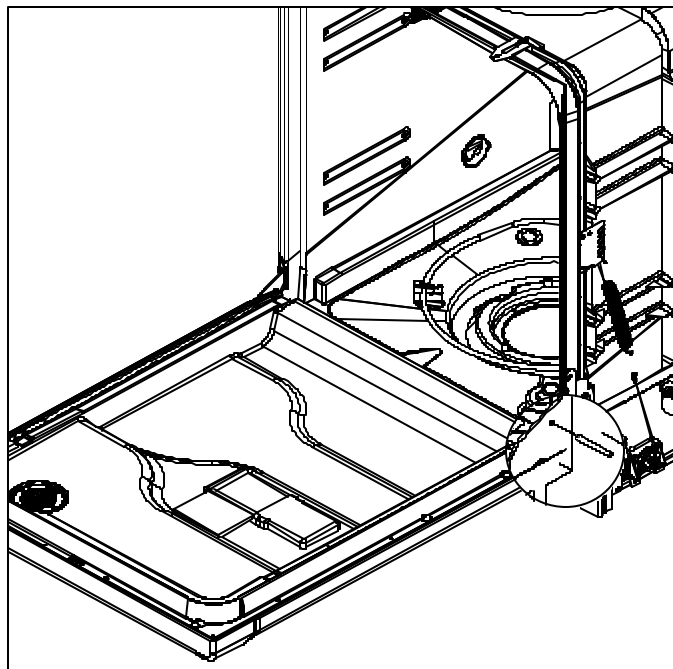
The Door Gasket provides a seal between the Door and the Tub.

Removal

1. Open Door.
2. From either corner, pull gasket up and out of tub recess.

Replacement

1. To ease installation, wet gasket with water.
2. Starting in the lower right corner, Gently work gasket into the recess of Tub up the right side.
3. With other end, place gasket flush with the Tub in lower left corner.
4. Gently work gasket in to the recess of the Tub, up the left side, and across the top.



Service and Disassembly Procedures



WARNING

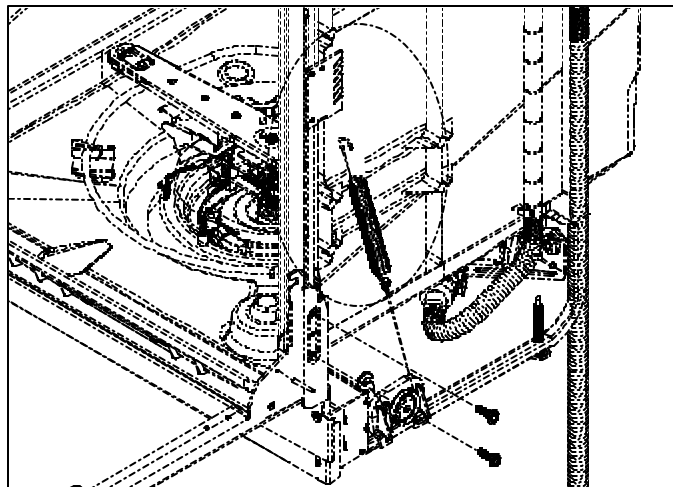
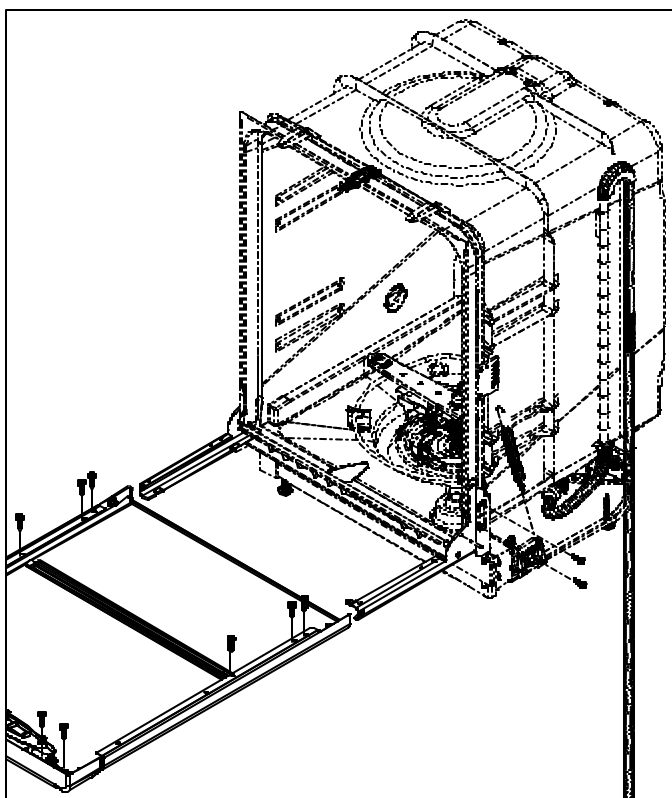
To avoid risk of electrical shock, personal injury, or death, disconnect electrical power source to unit and discharge capacitor through a 10,000 ohm resistor before attempting to service, unless test procedures require power to be connected. Ensure all ground wires are connected before certifying unit as repaired and/or operational.

7. Remove 4 screws securing Control Panel to Outer Door.
8. Remove 4 screws securing Outer Door to Door Hinges. (2 each side).
9. Slide Outer Door off of Door Hinges.



WARNING

Do not remove Door Prop until tension is relieved from door spring.



4. Disconnect Cable Link from Hinge. (**See warning above**).
5. Lift Hinge out of Hinge Support.
6. Remove 2 attachment screws if replacing hinge support.

Door Hinge and Support

Removal

1. **Disconnect power to the machine.**
2. Remove the Outer Door Panel. (See paragraph Outer Door Panel removal).
3. Remove Dishwasher from cabinets.

Door Spring

The Door Springs provide a counter balance to the weight of the door.

The Door Spring position is preset by model at the factory. If possible note the position of the spring. This may be determined by wear marks. Door Spring adjustment Brackets are located on the lower right and left side of the Dishwasher. Spring tension is achieved by positioning the spring in the slots provided. The higher position increases spring tension.

NOTE: Always point spring hooks toward the Dishwasher.

Service and Disassembly Procedures



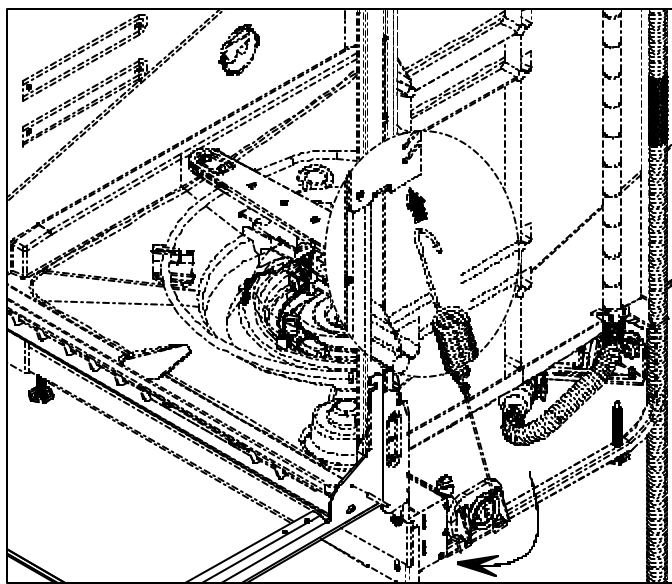
WARNING

To avoid risk of electrical shock, personal injury, or death, disconnect electrical power source to unit and discharge capacitor through a 10,000 ohm resistor before attempting to service, unless test procedures require power to be connected. Ensure all ground wires are connected before certifying unit as repaired and/or operational.

Door Spring and Component Replacement

NOTE: Always point spring hooks toward the Dishwasher.

1. Disconnect power to the machine.
2. Remove Dishwasher from cabinets.
3. Attach Door Cable Link to Door Hinge.
4. Attach Cable to Cable Link.
5. Route Cable under Cable Roller.



6. Attach Cable to short hook of Spring.
7. Place large hook end of Spring into Spring Adjustment Bracket in proper location.

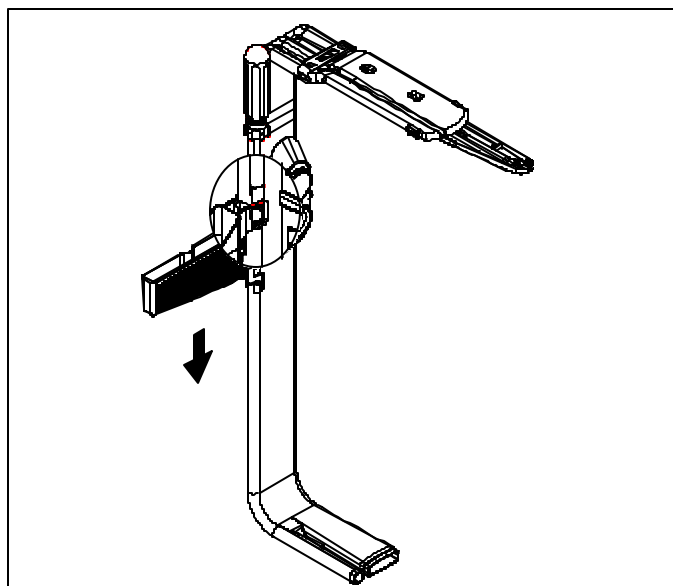
NOTE: To replace Cable Bracket, remove 2 Torx™ screws securing bracket to frame. See procedure above for reassembly of Spring and Cable.

Over Pressure Filter

The purpose of the Over Pressure Filter is to filter sediment missed by the lower filter rather than circulating it back through the wash.

Removal

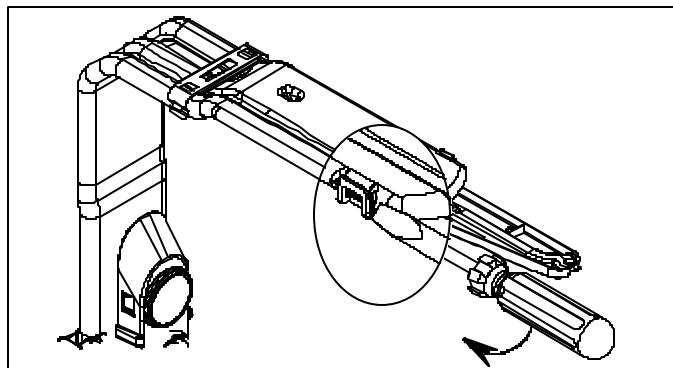
1. Spread locking tabs.
2. Rotate filter down and remove from manifold.



Top Wash Arm

Removal

1. Spread locking tabs and remove Wash Arm Retainer.



Service and Disassembly Procedures



WARNING

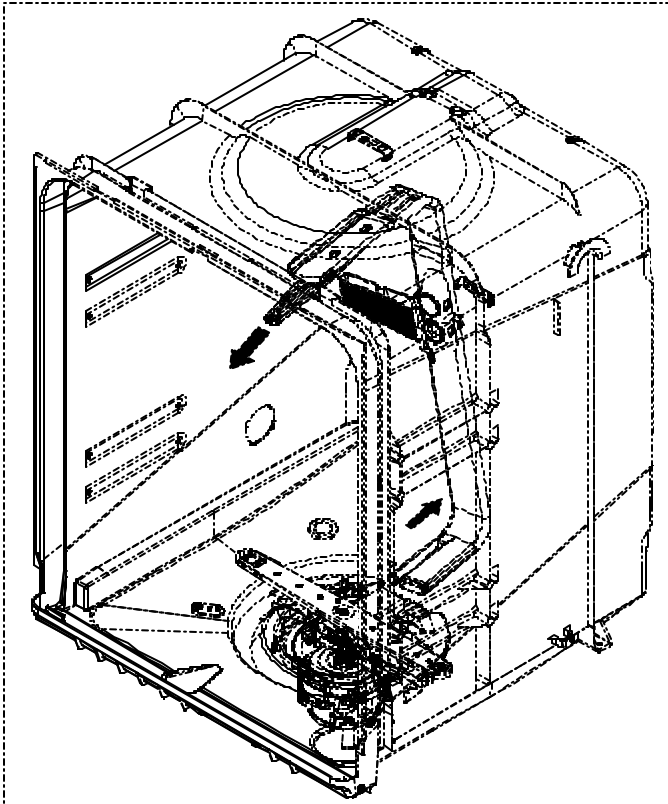
To avoid risk of electrical shock, personal injury, or death, disconnect electrical power source to unit and discharge capacitor through a 10,000 ohm resistor before attempting to service, unless test procedures require power to be connected. Ensure all ground wires are connected before certifying unit as repaired and/or operational.

Manifold

Water is supplied to the Top and Center Wash Arms through this tube via the Pump Assembly. The Manifold attaches to the Pump Assembly and runs vertically up the rear and along the top of the Dishwasher Tub. The Manifold is attached to the Tub with a clip.

Removal

1. **Disconnect power to the machine.**
2. Remove Racks, Stops, and Rack Assemblies.
3. Spread Manifold Clips located on the back and top of Tub.
4. Tip top of Manifold towards door opening slightly. Disengage the snap located on the bottom of the Manifold, locking the Manifold to the Discharge Housing .
5. Slide Manifold back and out of the Pump Assembly.

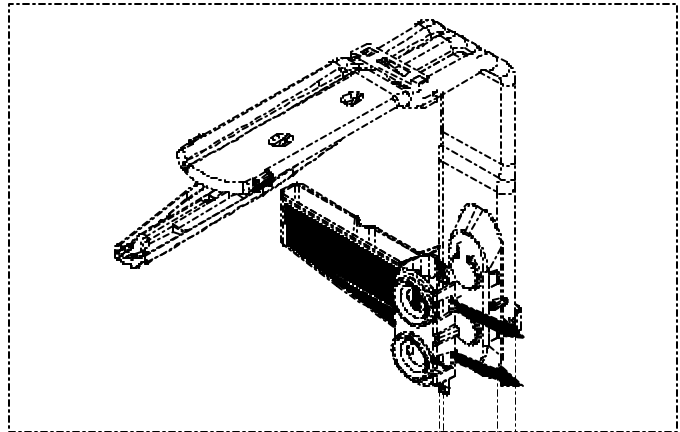


Docking Station

The purpose of the Docking Station is to seal the water flow to the upper rack Wash Arm.

Removal

1. Slide Upper Rack forward to gain access to Docking Station.
2. Spread sides of Docking Station and remove from Manifold.



Lower Wash Arm

Water is supplied to the Lower Wash Arm via the Pump Assembly.

Removal

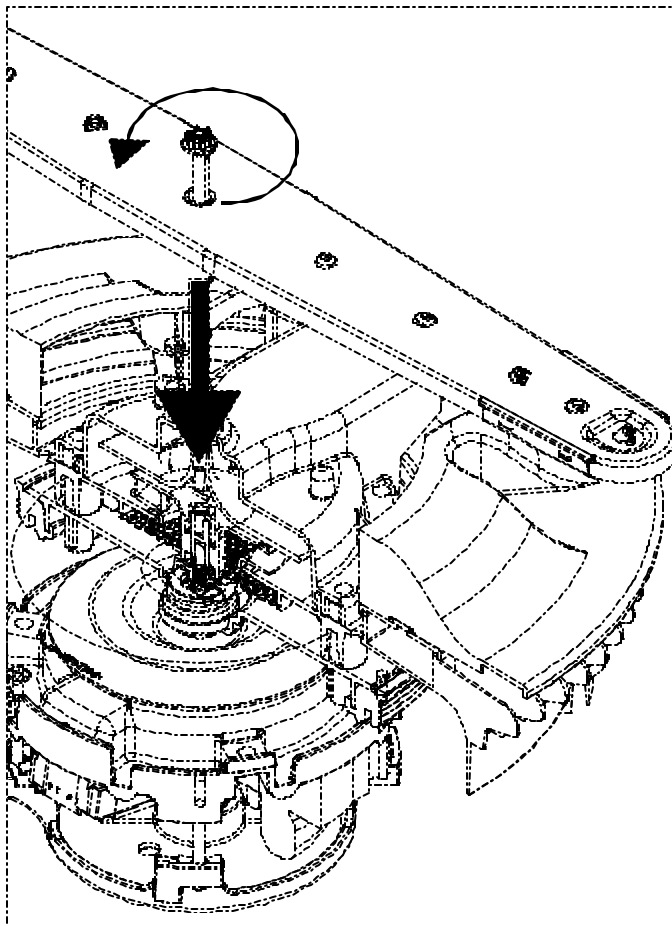
1. **Disconnect power to the machine.**
2. Remove lower Rack Assembly.
3. Loosen Wash Arm Hub and Pivot.
4. Lift Wash Arm out of Dishwasher.

Service and Disassembly Procedures



WARNING

To avoid risk of electrical shock, personal injury, or death, disconnect electrical power source to unit and discharge capacitor through a 10,000 ohm resistor before attempting to service, unless test procedures require power to be connected. Ensure all ground wires are connected before certifying unit as repaired and/or operational.



2. Perform continuity check of switch across terminals.

Closed- Actuator of switch depressed.

Open- Actuator of switch released.

Removal

1. **Disconnect power to the machine.**
2. Lift Float straight up from Float Guide.
3. Remove Front Support and Toe Panel. (See paragraph Front Support and Toe Panel removal).
4. Remove electrical connectors on switch.
5. Float Switch mounting screw is located behind Float Switch mounting plate. Loosen 1/4" screw several turns to remove entire assembly.
6. Spread locking tabs on Float Switch mounting plate to remove switch.

Float

The Float Assembly controls the amount of water fill.

The Float Switch is wired in series with the Water Valve. When the Float Switch **OPENS**, the electrical circuit to the Water Valve is opened, causing the Water Valve to shut off.

A normal fill is when water makes contact with heating element in bottom of dishwasher.

To Check Float Switch

1. **Disconnect power to the machine.**



Service and Disassembly Procedures



WARNING

To avoid risk of electrical shock, personal injury, or death, disconnect electrical power source to unit and discharge capacitor through a 10,000 ohm resistor before attempting to service, unless test procedures require power to be connected. Ensure all ground wires are connected before certifying unit as repaired and/or operational.

Heating Element

The purpose of the Heating Element is to provide heat during the dry cycle and increase water temperature during portions of the wash cycle when certain options are selected.

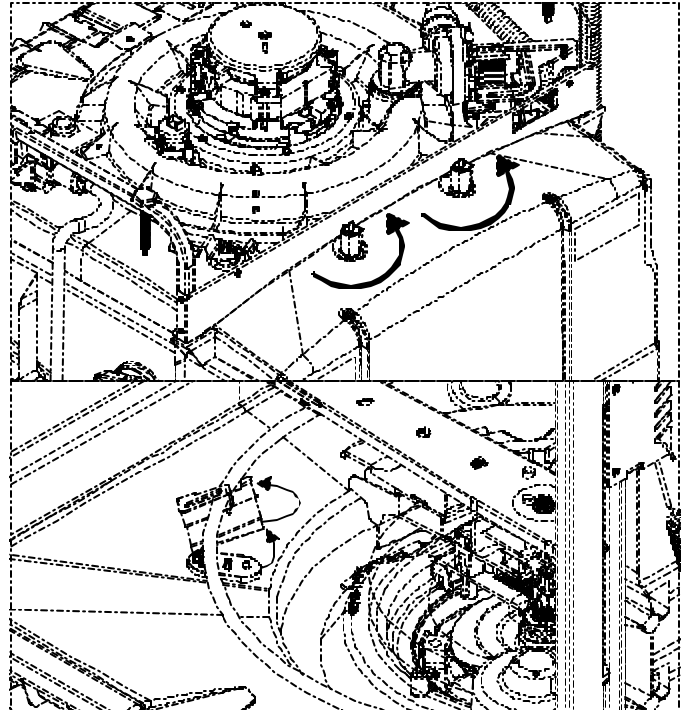
The element is dual wattage. During wash cycles, it is rated at 830 watts. During the dry portion of the cycle, it is rated at 650 watts. Increased wattage is possible because of water flowing across the element sheath.

To Check Heating Element

1. **Disconnect power to the machine.**
2. Remove Front Support and Toe Panel. (See paragraph Front Support and Toe Panel removal).
3. Locate element terminals, remove wires, perform continuity check across terminals.
4. The resistance of the element should be approximately 22 ohms. If OPEN, replace element.
5. Perform continuity check from each terminal to the element sheath. NO continuity should be present. If continuity is present, replace the element.

Removal

1. **Disconnect power to the machine.**
2. Remove Front Support and Toe Panel. (See paragraph Front Support and Toe Panel removal).
3. Locate element terminals and remove wires.
4. Remove mounting nuts securing Heating Element to Tub.
5. Release Heating Element by tipping Heater Support Brackets towards the Tub front corners and rotating until bracket unlocks.
6. Lift element out of Tub.



NOTE: Before reinstalling Heating Element, examine condition of O-ring seals that are located between element leads and tub basin. Replace if needed. Failure of seal will result in a water leak and possible floor damage.

Wattage Checks

To verify wattage of the element, take an amperage reading at the blue wire of the Heating Element. Multiply the amperage reading by voltage at the Dishwasher ($\text{Amps} \times \text{Volts} = \text{Watts}$).

Normal element amperage during the dry portion of the cycle is 5.0 to 5.5 amps. When used during a wash cycle, normal amperage is 7.0 to 7.5 amps.

Service and Disassembly Procedures



WARNING

To avoid risk of electrical shock, personal injury, or death, disconnect electrical power source to unit and discharge capacitor through a 10,000 ohm resistor before attempting to service, unless test procedures require power to be connected. Ensure all ground wires are connected before certifying unit as repaired and/or operational.

Thermostats

Two types of thermostats are used in the Dishwasher. A Thermistor and a Limit Thermostat.

The Thermistor is used to sense water temperature when certain cycles or options are selected (Refer to Cycles & Options section). The Thermistor is part of the sensor mounted in the Tub.

The other thermostat is a Limit Thermostat and is used as a protective device to sense overheating of the Heating Element. It is located behind the Front Support and Toe Panel. The limit is mounted to the tub bottom. This thermostat has ¼" terminals and has a normally CLOSED position.

NOTE: Refer to section labeled Technical Data for specifications on thermostat.

Removal

1. **Disconnect power to the machine.**
2. Remove Front Support and Toe Panel. (See paragraph Front Support and Toe Panel removal).
3. Press down on spring clip to release from Tub and rotate till clip unlocks.
4. Remove wires from thermostat.

NOTE: When reinstalling, proper location and wiring of thermostat(s) is critical.



Water Valve

The valve is located behind the Support and Toe Panel, mounted to the left side of the Tub Support. Inlet water supply to the valve is directly below the valve.

NOTE: Turn off water supply to the Dishwasher before servicing this component.

The valve is designed to operate at water pressures of 15 - 120 psi.

NOTE: Low water pressure will affect the ability of the Water Valve to properly fill Tub in the required amount of time.

Incoming water temperature should be a minimum of 120 degrees F. However, a higher water temperature will enhance washing and drying results.

Removal

1. **Disconnect power to the machine.**
2. Turn off water supply to the Dishwasher.
3. Remove Support and Toe Panels. (See paragraph Front Support and Toe Panel removal).
4. Remove wires from Valve Solenoid.
5. Remove 2 1/4" screws securing Water Valve to Water Valve Bracket.
6. Disconnect injector hose at valve outlet.



Service and Disassembly Procedures



WARNING

To avoid risk of electrical shock, personal injury, or death, disconnect electrical power source to unit and discharge capacitor through a 10,000 ohm resistor before attempting to service, unless test procedures require power to be connected. Ensure all ground wires are connected before certifying unit as repaired and/or operational.

Checking Valve Operation

No Fill

1. **Disconnect power to the machine.**
2. Remove Support and Toe Panel. (See paragraph Front Support and Toe Panel removal).
3. Remove wires from Valve Solenoid.
4. Perform continuity check across terminals of Solenoid. If NO continuity is present, replace Water Valve.

Alternate Test: Use Motor Test Cord hooked directly to the Valve Solenoid. Turn water supply on and plug in test cord. If NO water is present, replace Water Valve.

Overfill

If Water Valve allows water to flow without power to Valve Solenoid, replace the Water Valve.

NOTE: The Water Valve is a non-repairable component. The only servicing required is to clean the Inlet Screen if needed.

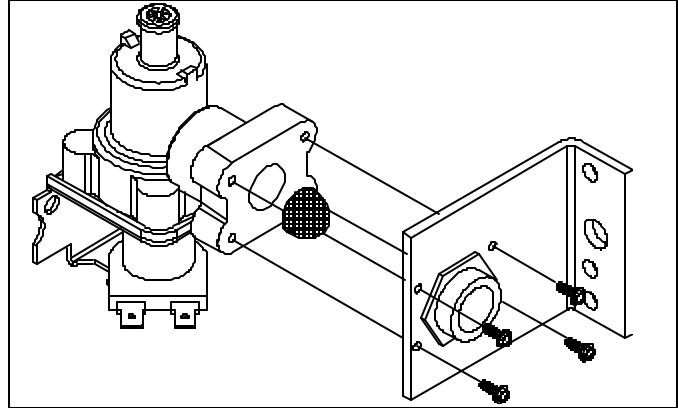
Inlet Screen

Sediment on the Inlet Screen can hinder water flow through the Water Valve.

Cleaning

1. **Disconnect power to the machine.**
2. Remove Water Valve from the Dishwasher (See Water Valve Removal).
3. Remove 4 screws securing valve body to Water Inlet Mounting Bracket.
4. Clean screen.

NOTE: Make sure to reattach the ground wire to the mounting bracket.



Air Water Inlet and Vent

The Air Water Inlet is located on the left side of the Tub, and mounted to the exterior of Tub. Removal of the Air Water Inlet and Vent requires the removal of the Dishwasher from under the counter. Vent only operates if cabinet becomes pressurized and will open flap on top of Air Water inlet.

Removal

1. **Disconnect power to the machine.**
2. Remove the Air Water Inlet Cover located on the left inside wall of Tub. Pull cover straight out to remove.
3. Carefully pull back insulation from the left side of the Tub.
4. Remove rubber hose from channel in Tub, or slip off of fitting on inlet.
5. Grasp upper portion of the Air/Water Inlet. Pull and rotate the Air/Water Inlet clockwise to release it from the Tub.



Service and Disassembly Procedures

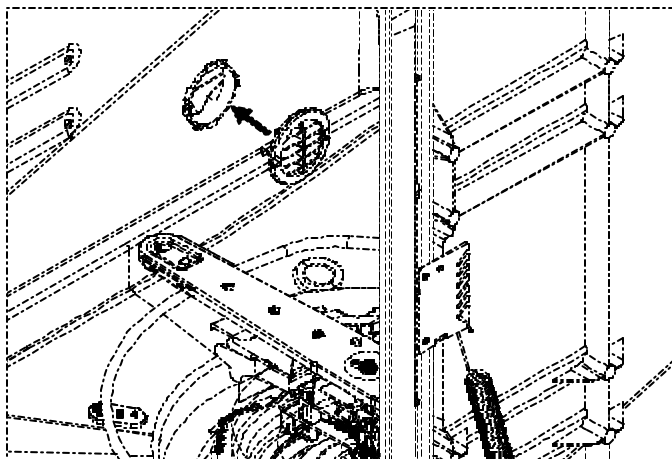


WARNING

To avoid risk of electrical shock, personal injury, or death, disconnect electrical power source to unit and discharge capacitor through a 10,000 ohm resistor before attempting to service, unless test procedures require power to be connected. Ensure all ground wires are connected before certifying unit as repaired and/or operational.

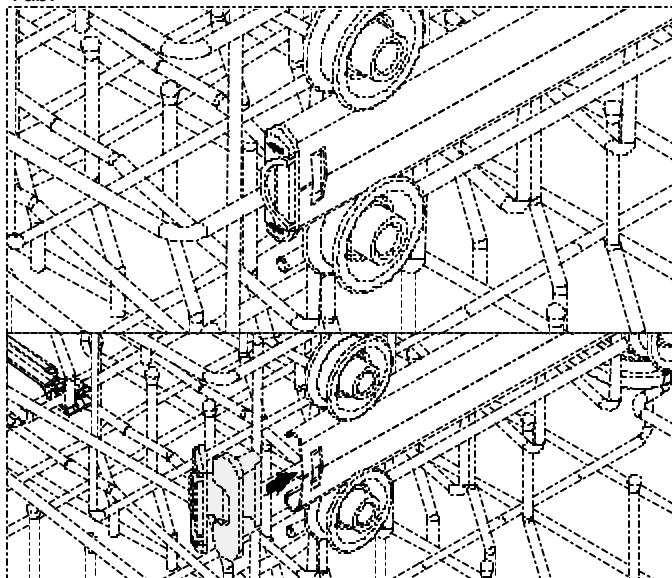
Replacement

1. Examine the Air Water Inlet Seal for damage.
2. Align Air Water Inlet tabs with notches in Tub, and rotate counterclockwise into position.
3. Replace Air Water Inlet Cover inside Tub.



Upper Rack Removal

To remove Upper Rack, remove Rack Stops. Unlatch stop by moving as shown in direction of arrow toward center of Tub.



Tub Wheels

To remove, unlatch rear Rack Stop. Slide track out of Dishwasher. Remove tub wheel shaft with Torx™ driver.

NOTE: Tub wheel shaft contains a small steel washer.

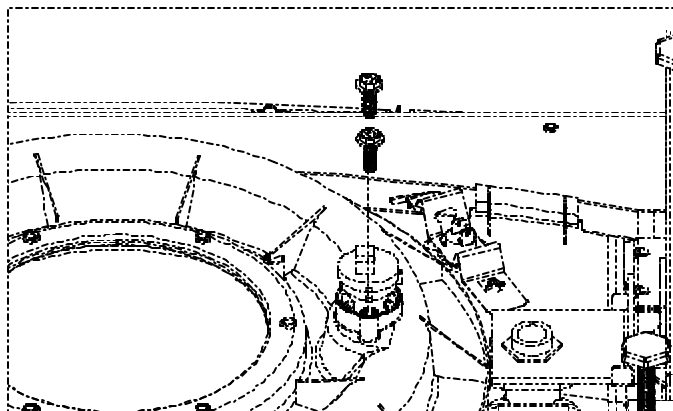
Turbidity Sensor

The Turbidity Sensor is located on the bottom and to the left of the Pump Module Assembly. The sensor measures soil level in the water. Turbidity is determined by a beam of infrared light directed from one probe and read by the other. This information is interpreted as water soil level.

Removal

1. **Disconnect power to the machine.**
2. Remove Front Support and Toe panel. (See paragraph Front Support and Toe Panel removal).
3. Remove the 2 Torx™ screws securing the sensor to the tub bottom.
4. Pull sensor straight out.

NOTE: When installing sensor, examine the "O" ring seal and replace if necessary. The sensor has alignment ribs to aid in installation.



Service and Disassembly Procedures



WARNING

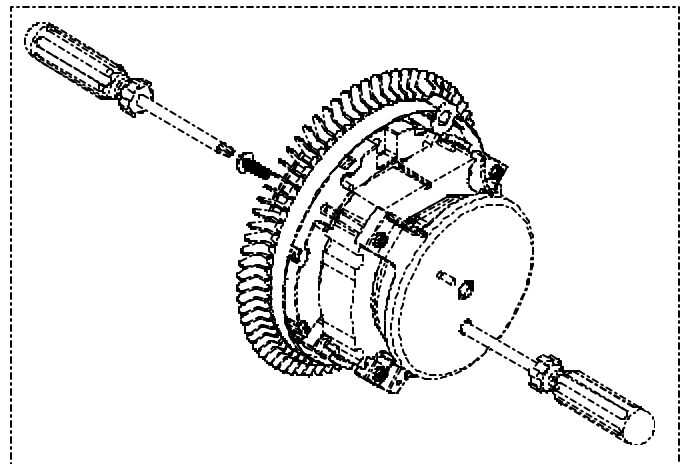
To avoid risk of electrical shock, personal injury, or death, disconnect electrical power source to unit and discharge capacitor through a 10,000 ohm resistor before attempting to service, unless test procedures require power to be connected. Ensure all ground wires are connected before certifying unit as repaired and/or operational.

Drain Pump

The Drain Pump will drain water from the Dishwasher in various cycles. If a failure is suspected, the entire Pump Assembly needs to be replaced.

Removal

1. Disconnect power to the machine.
2. Remove Support and Toe Panel. (See paragraph Front Support and Toe Panel removal).
3. Disconnect lead wire from Pump Assembly.
4. Disconnect drain hose from Pump Assembly.
5. Remove Torx™ screw through bushing in Pump Mounting Plate.
6. Rotate Pump Assembly to unlock from Tub.
3. Remove Wash Manifold
4. Loosen Wash Arm Hub and Pivot.
5. Remove Spray Arm.
6. Remove 3 Torx™ screws securing Filter Guard.
7. Entire Wash Motor Assembly can be lifted from Tub for further disassembly.
8. Remove and replace Pump Gasket if necessary.
9. Disconnect wiring harness from Wash Motor Assembly.
10. Remove 6 Torx™ screws securing Discharge Housing.
11. Remove Torx™ screw securing Wash Impeller . See bottom side of motor for access hole to lock motor rotation while removing Torx™ screw. Insert screw driver tip into access hole while removing screw.



Wash Motor Assembly

The Wash Motor Assembly is designed to provide recirculating, filter, wash and particle chopping functions for the dishwasher cycles.

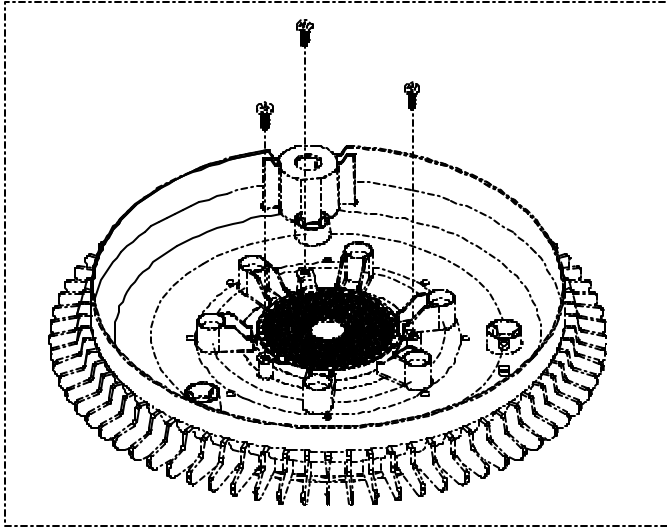
Removal

1. Disconnect power to the machine.
2. Remove racks.
12. Lift off Filter/Flowplate Assembly to access Chopper Plate.
13. Remove 3 Torx™ screws to remove Chopper Plate.
14. Lift off Chopper

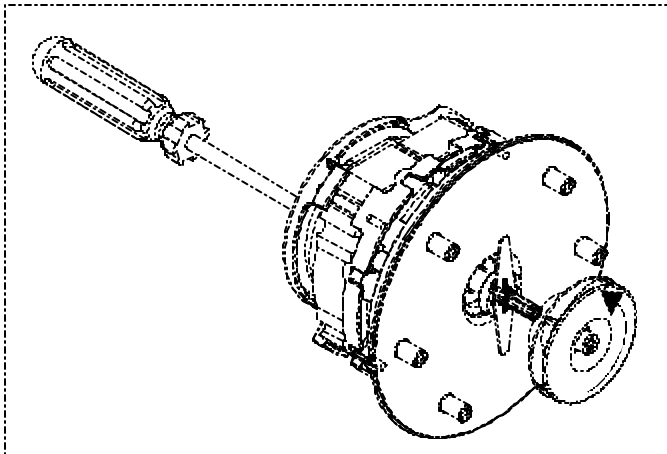
Service and Disassembly Procedures

WARNING

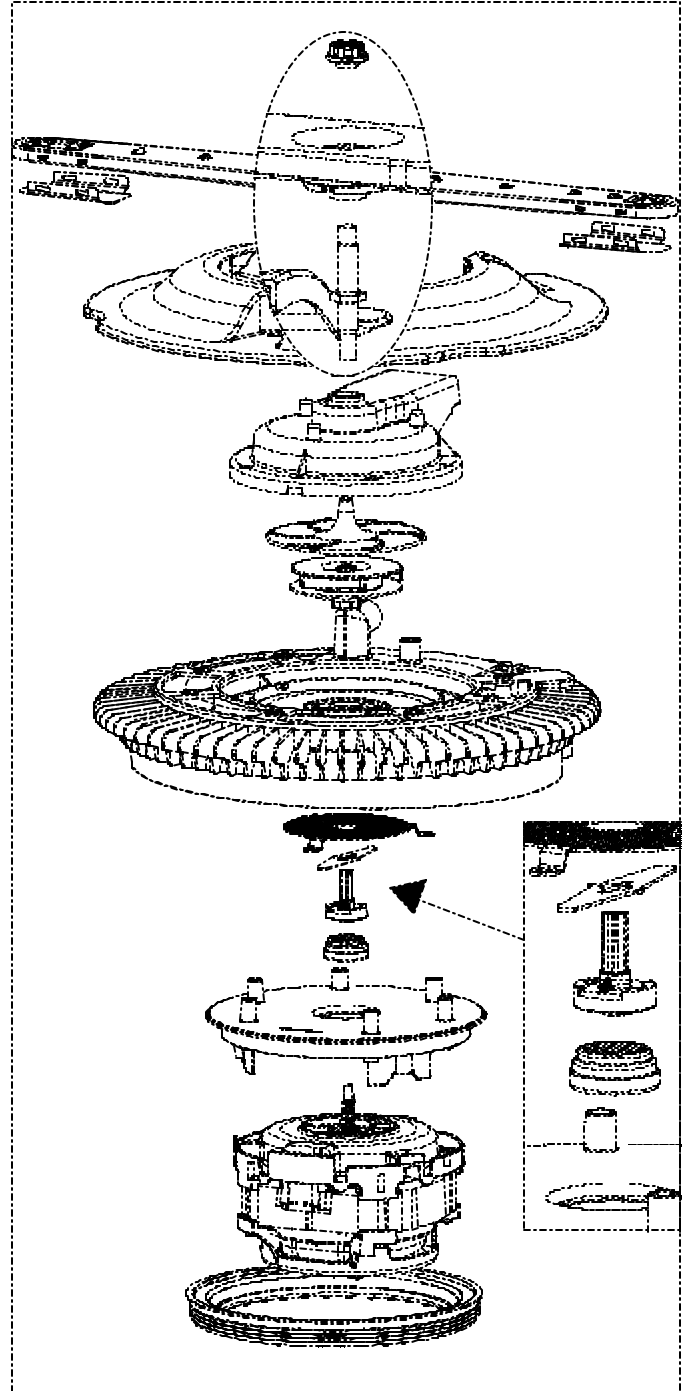
To avoid risk of electrical shock, personal injury, or death, disconnect electrical power source to unit and discharge capacitor through a 10,000 ohm resistor before attempting to service, unless test procedures require power to be connected. Ensure all ground wires are connected before certifying unit as repaired and/or operational.



15. Remove Chopper Sleeve by using Impeller as a wrench. Lock motor rotation using the access hole provided in back of motor.



16. Lift off Seal Seat Assembly.



Appendix A

Built-In Dishwasher

Lavavajillas Empotrado / Lave-vaisselle encastré

Installation Instructions / Instrucciones de Instalación / Instructions d'installation





Built-In Dishwasher

Installation Instructions

Leave Installation Instructions and User's Guide with Owner

ALL ELECTRICAL WIRING, GROUNDING AND PLUMBING SHOULD BE DONE IN ACCORDANCE WITH NATIONAL AND LOCAL CODES BY QUALIFIED INDIVIDUALS.

ELECTRICAL REQUIREMENTS

This dishwasher is designed for operation on an individual 120 VAC, 60 Hz grounded electrical circuit. Use required fuse (15 amp) or comparable circuit breaker. Two wire with ground service to the dishwasher is recommended for connection at the terminal box and for grounding.



WARNING

To prevent accidental contact with electrical connections, built-in dishwasher models must not be connected to a power source unless the dishwasher is completely enclosed, with front panels in place. If the back or either side of the dishwasher is exposed, a panel must be used to complete this enclosure. Failure to follow this warning could result in death or serious injury.

GROUNDING INSTRUCTIONS

This appliance must be connected to a grounded metal, permanent wiring system; or an equipment-grounding conductor must be run with the circuit conductors and connected to the equipment-grounding terminal or lead on the appliance.



WARNING

To prevent the possibility of electrical shock, this dishwasher, as other electrical appliances, must be adequately grounded. It is the responsibility of the installer at the point of installation, taking into consideration local conditions and requirements. Failure to follow this warning could result in death or serious injury.

PLUMBING REQUIREMENTS

CHECK LOCAL PLUMBING CODES FOR APPROVED PLUMBING PROCEDURES AND ACCESSORIES. ALL PLUMBING SHOULD BE DONE IN ACCORDANCE WITH NATIONAL AND LOCAL CODES.



WARNING

Disconnect electrical power to dishwasher before you start! Failure to follow this warning could result in death or serious injury.



Lavavajillas Empotrado

Instrucciones de Instalación

Deje las instrucciones de instalación y la guía del usuario con el propietario.

TODO EL CABLEADO ELÉCTRICO, LAS CONEXIONES A TIERRA E INSTALACIONES DE PLOMERÍA SE DEBEN REALIZAR CONFORME A LOS CÓDIGOS NACIONALES Y LOCALES POR PERSONAS CUALIFICADAS.

REQUISITOS ELÉCTRICOS

Este lavavajillas ha sido diseñado para funcionar en un circuito eléctrico individual aprobado de 120 VCA, 60 Hz debidamente conectado a tierra. Use el fusible requerido (15 amperios) o un disyuntor comparable. Se recomienda una conexión de dos alambres con servicio a tierra al lavavajillas para conectarlo a la caja de conexiones y a tierra.



ADVERTENCIA

Para evitar un contacto accidental con las conexiones eléctricas, los modelos de lavavajillas empotrados no deben ser conectados a una fuente de corriente eléctrica, a menos que el lavavajillas esté totalmente encerrado, con los paneles delanteros colocados en su lugar. Si la parte posterior o lateral del lavavajillas queda expuesta, se deberá usar un panel para completar el encerramiento. Si se hace caso omiso de esta advertencia, existe el riesgo de muerte o lesiones graves.

INSTRUCCIONES PARA LA PUESTA A TIERRA

Este aparato se debe conectar a un sistema de cableado permanente, metálico y puesto a tierra, o se deberá colocar un conductor para conectar equipos a tierra con los conductores del circuito y deberá conectarse a la terminal de puesta a tierra del equipo o al conductor principal en el aparato.



ADVERTENCIA

Para evitar la posibilidad de choque eléctrico, este lavavajillas, al igual que otros aparatos eléctricos, debe ser puesto a tierra en forma adecuada. El instalador tiene la responsabilidad al respecto en el sitio de instalación, debiendo tomar en cuenta las condiciones y los requisitos locales. Si se hace caso omiso de esta advertencia, existe el riesgo de muerte o lesiones graves.

REQUISITOS DE PLOMERÍA

VERIFIQUE LOS PROCEDIMIENTOS Y ACCESORIOS DE PLOMERÍA APROBADOS EN LOS CÓDIGOS LOCALES DE PLOMERÍA. TODA LA PLOMERÍA SE DEBERÁ REALIZAR CONFORME A LOS CÓDIGOS NACIONALES Y LOCALES.



ADVERTENCIA

¡Desconecte la corriente eléctrica al lavavajillas antes de comenzar! Si se hace caso omiso de esta advertencia, existe el riesgo de muerte o lesiones graves.



Lave-vaisselle encastré

Instructions d'installation

Laisser les instructions d'installation et le mode d'emploi au propriétaire

TOUT LE CÂBLAGE ÉLECTRIQUE, TOUTES LES MISES À LA TERRE, ET INSTALLATIONS DE PLOMBERIE DOIVENT ÊTRE EFFECTUÉS CONFORMÉMENT AU CODE CANADIEN DE L'ÉLECTRICITÉ ET À TOUS LES CODES DE LA MUNICIPALITÉ EN VIGUEUR PAR DES PERSONNES QUALIFIÉES.

INSTALLATION ÉLECTRIQUE

Ce lave-vaisselle est conçu pour fonctionner sur un circuit électrique séparé de 120 volts en courant alternatif et de 60 Hz. Ce circuit doit être protégé par un fusible de 15 ampères ou un disjoncteur de même calibre. Pour brancher le lave-vaisselle sur la boîte de connexions et sur la mise à la terre, il est recommandé d'utiliser une connexion bifilaire.



AVERTISSEMENT

Pour empêcher tout contact accidentel avec les connexions électriques, un lave-vaisselle encastré ne doit pas être branché sur le courant électrique tant qu'il n'est pas complètement encastré et tant que le panneau avant n'a pas été remis en place. Si l'arrière ou un des côtés du lave-vaisselle est exposé, un panneau devra être posé pour fermer cette ouverture. Ne pas respecter cet avertissement risque de causer la mort ou de graves blessures.

INSTRUCTIONS DE MISE À LA TERRE

Ce lave-vaisselle doit être branché sur une installation électrique métallique permanente mise à la terre, ou bien un conducteur de mise à la terre doit être amené avec les conducteurs du circuit électrique. Ce conducteur de mise à la terre devra alors être branché sur la borne de mise à la terre de l'équipement électrique ou sur le fil de mise à la terre du lave-vaisselle.



AVERTISSEMENT

Pour éviter les risques de chocs électriques, ce lave-vaisselle, tout comme les appareils électroménagers, doit être adéquatement relié à la terre. La responsabilité incombe à l'installateur de prendre en considération les conditions et les exigences de la municipalité dans laquelle l'appareil est installé. Ne pas respecter cet avertissement risque de causer la mort ou de graves blessures.

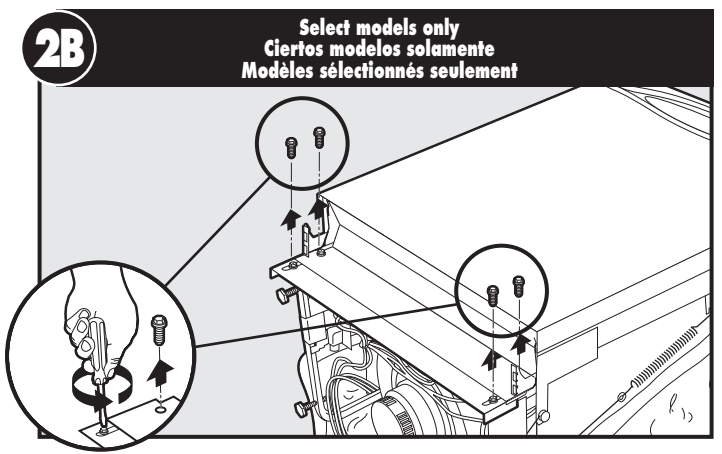
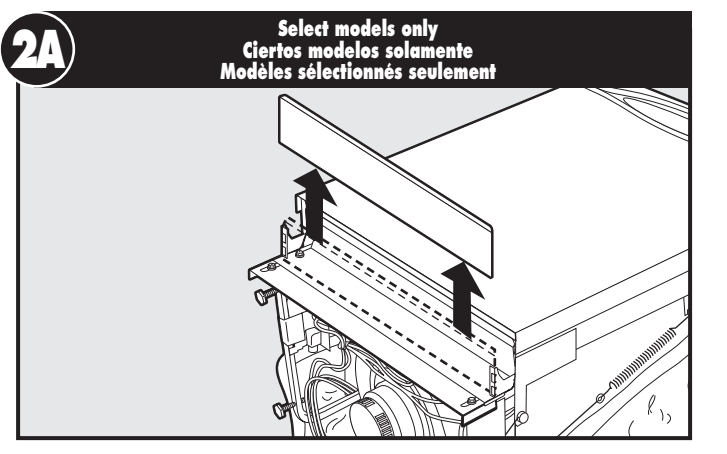
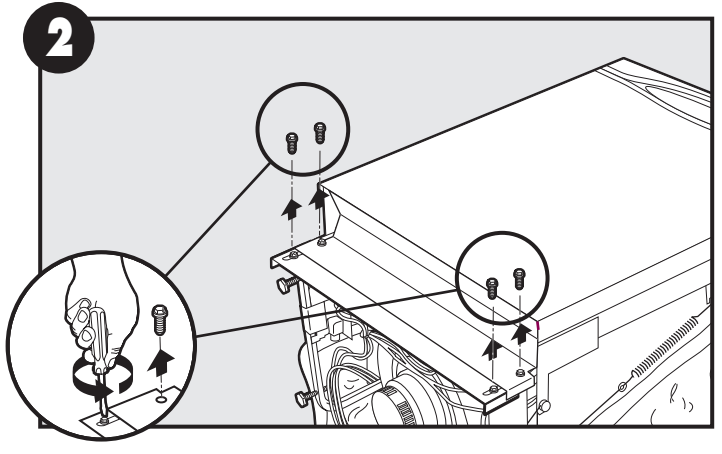
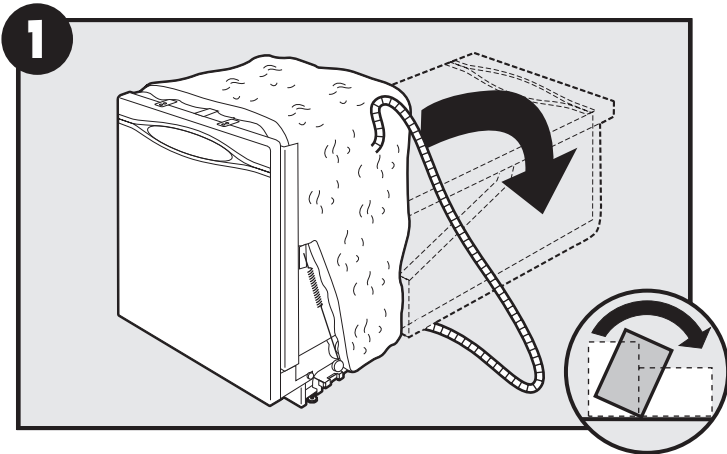
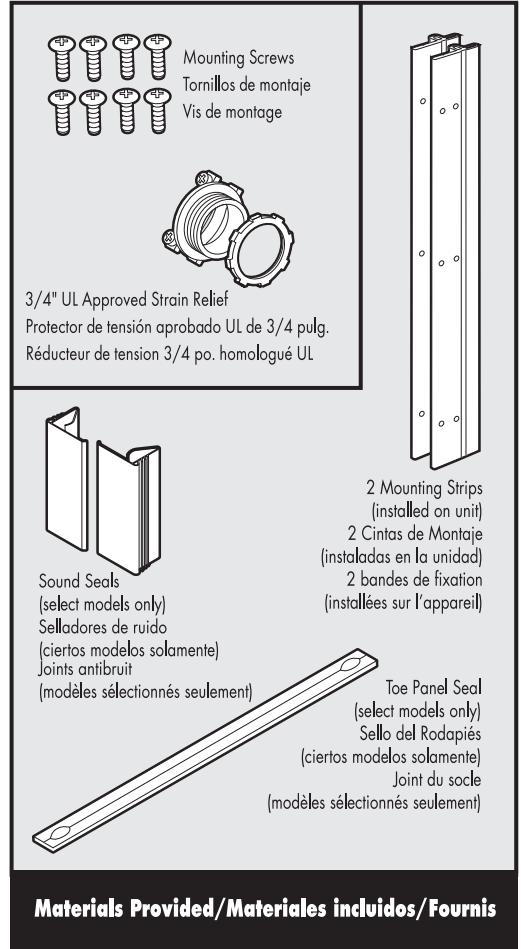
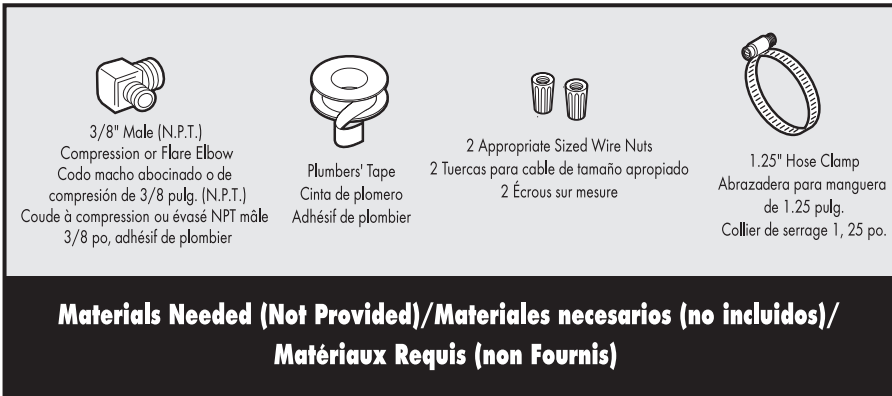
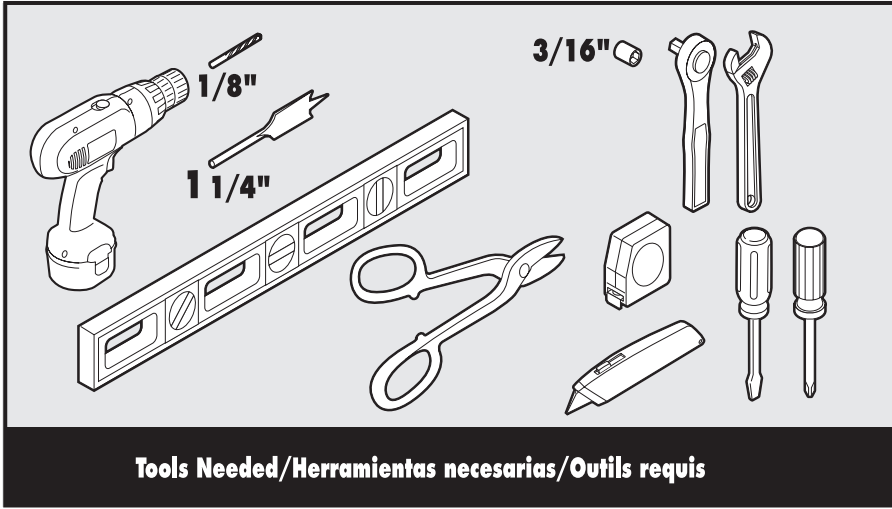
RACCORDEMENT SUR L'ALIMENTATION D'EAU

CONSULTER LES CODES DE LA PLOMBERIE DE LA MUNICIPALITÉ POUR CONNAÎTRE LES PROCÉDURES ET LES ACCESSOIRES APPROUVÉS EN VIGUEUR. TOUTE LA PLOMBERIE DOIT ÊTRE EXÉCUTÉE CONFORMÉMENT AU CODE CANADIEN DE LA PLOMBERIE ET AUX CODES DE LA MUNICIPALITÉ EN VIGUEUR.



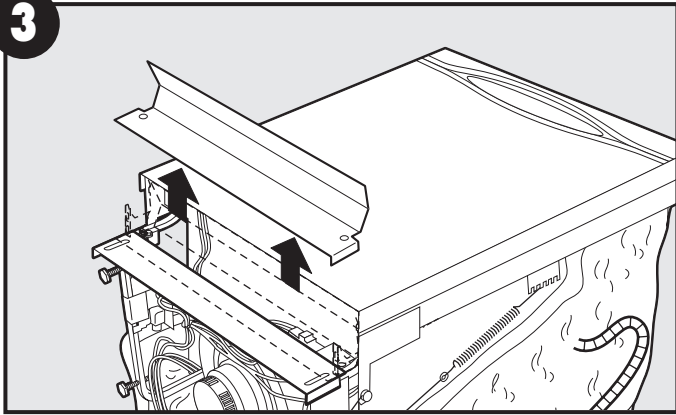
AVERTISSEMENT

Couper le courant électrique alimentant le lave-vaisselle avant de commencer. Ne pas respecter cet avertissement risque de causer la mort ou de graves blessures.

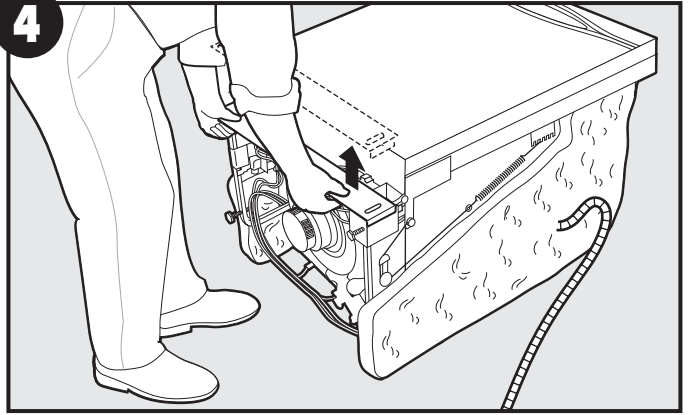




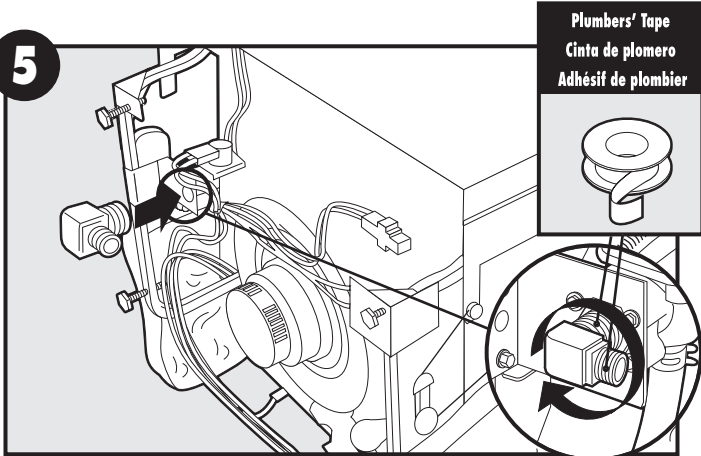
3



4

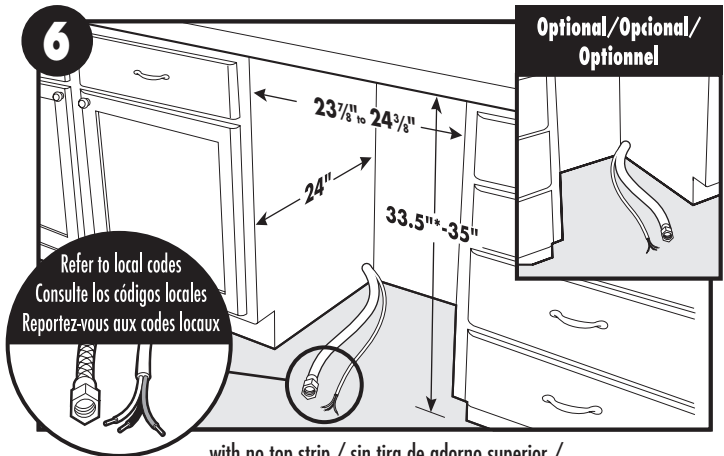


5



Plumbers' Tape
Cinta de plomero
Adhésif de plombier

6

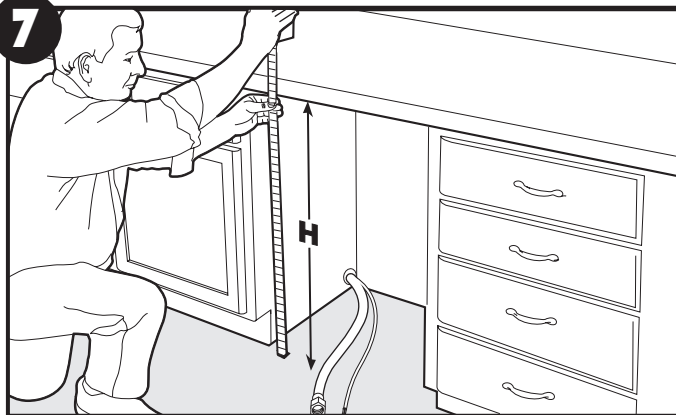


Optional/Opcional/
Optionnel

Refer to local codes
Consulte los códigos locales
Reportez-vous aux codes locaux

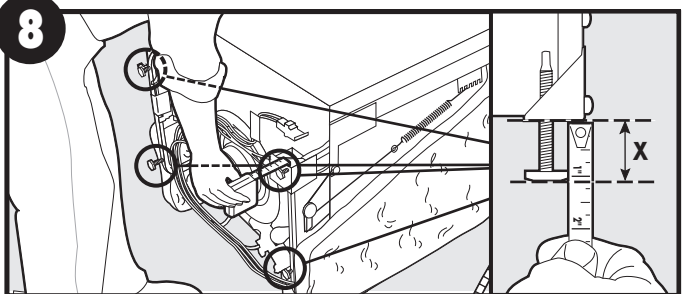
with no top strip / sin tira de adorno superior /
Mesure sans la tringle de finissage

7



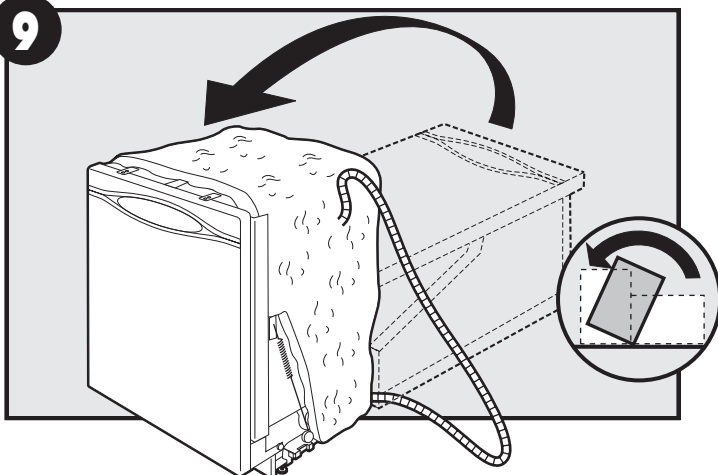
H= Opening Height / H = Altura de apertura / H = Hauteur d'ouverture

8

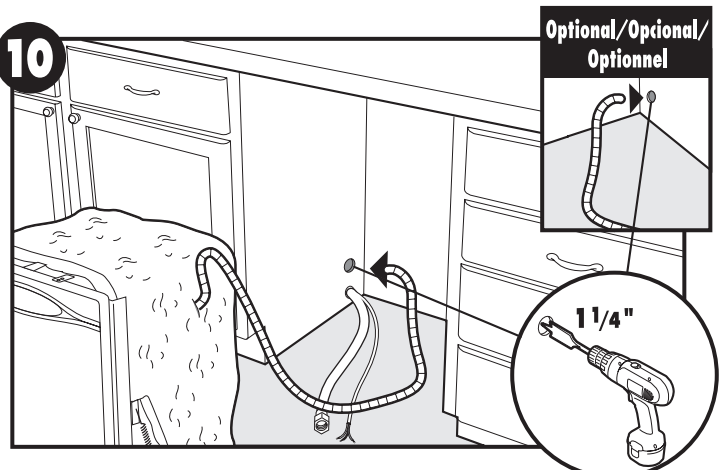


H	:	X	H	:	X	H	:	X	H	:	X	H	:	X
33 1/2"	:	1/4"	33 7/8"	:	5/8"	34 1/4"	:	1"	34 5/8"	:	1 3/8"	35"	:	1 3/4"
33 5/8"	:	3/8"	34"	:	3/4"	34 3/8"	:	1 1/8"	34 3/4"	:	1 1/2"		:	
33 3/4"	:	1/2"	34 1/8"	:	7/8"	34 1/2"	:	1 1/4"	34 7/8"	:	1 5/8"		:	

9

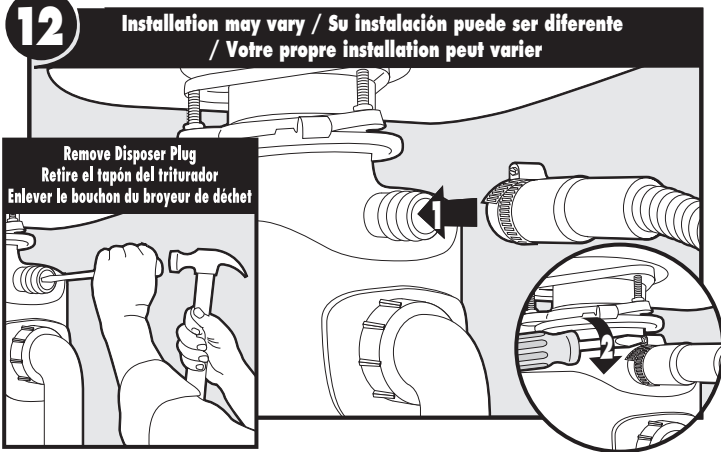
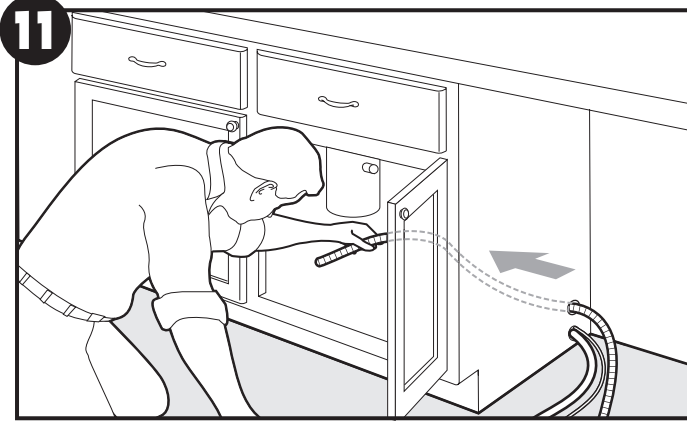


10

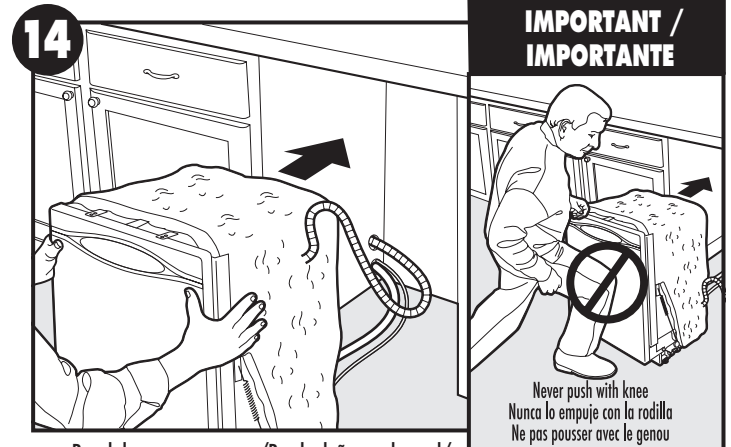
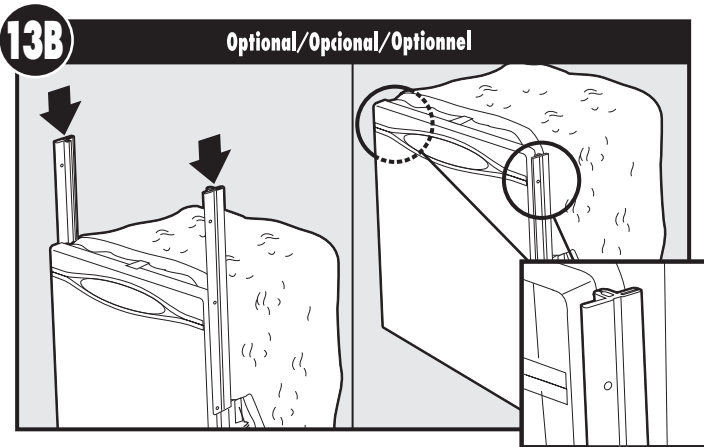
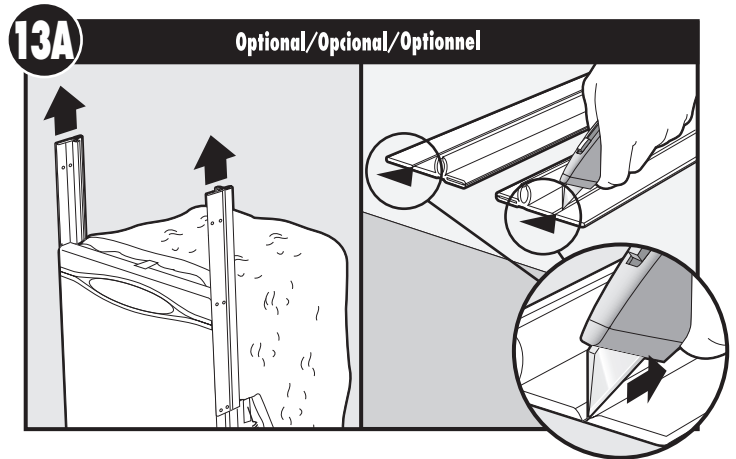
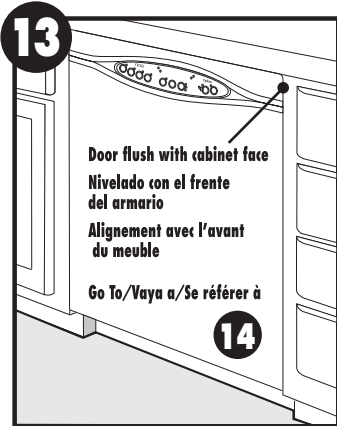


Optional/Opcional/
Optionnel

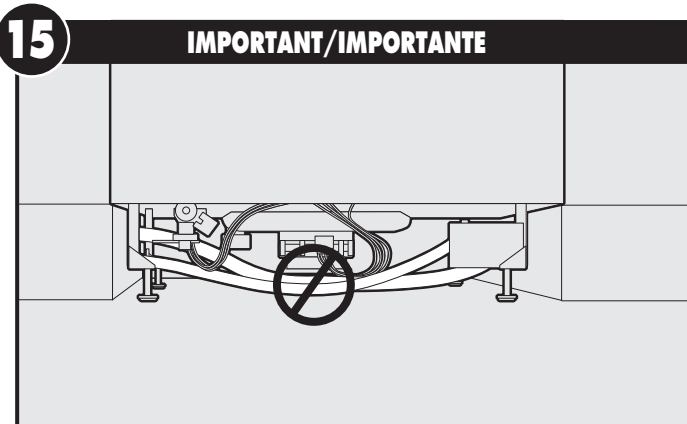
1 1/4"



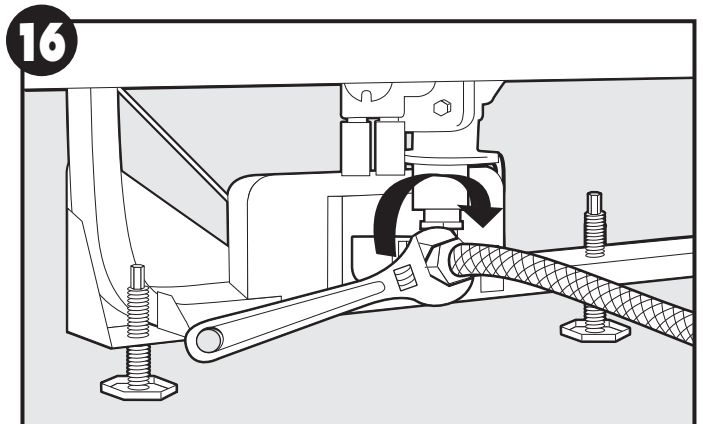
Refer to local codes / Consulte los códigos locales / Reportez-vous aux codes locaux



Panel damage may occur/Puede dañarse el panel/

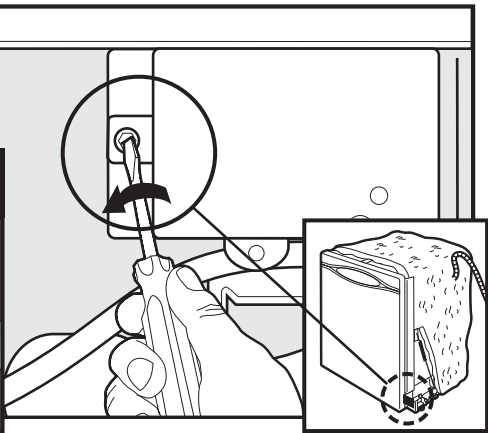


Never route cord or hoses under motor / Nunca coloque el cordón eléctrico ni las mangueras por debajo del motor / Ne jamais faire passer câbles ou tuyaux flexibles sous le moteur.

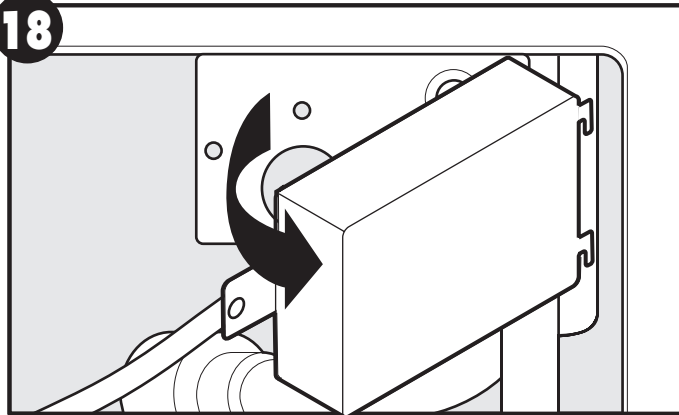




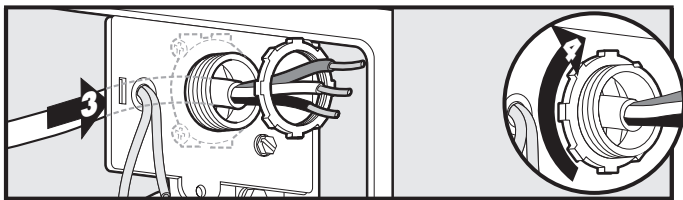
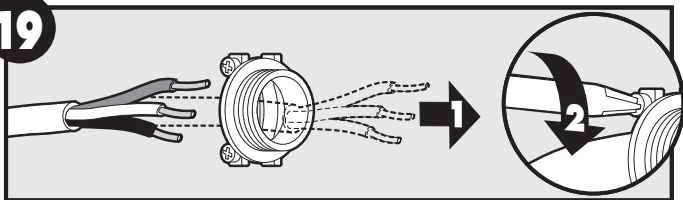
17



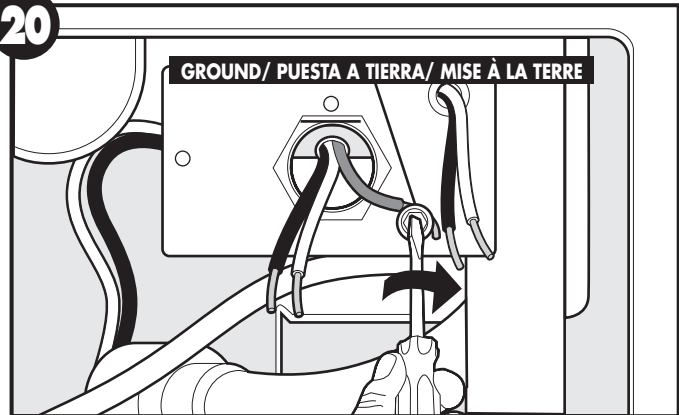
18



19



20

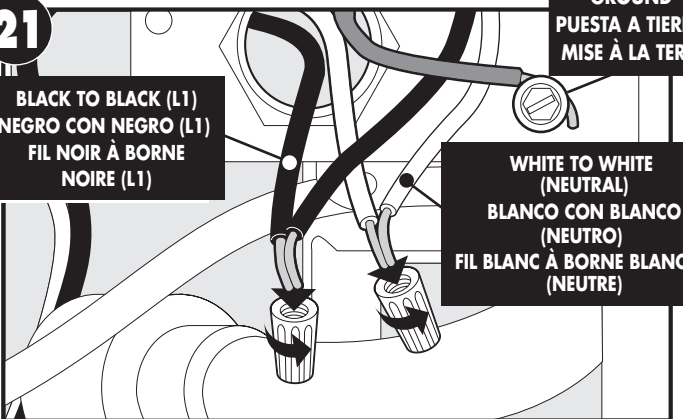


21

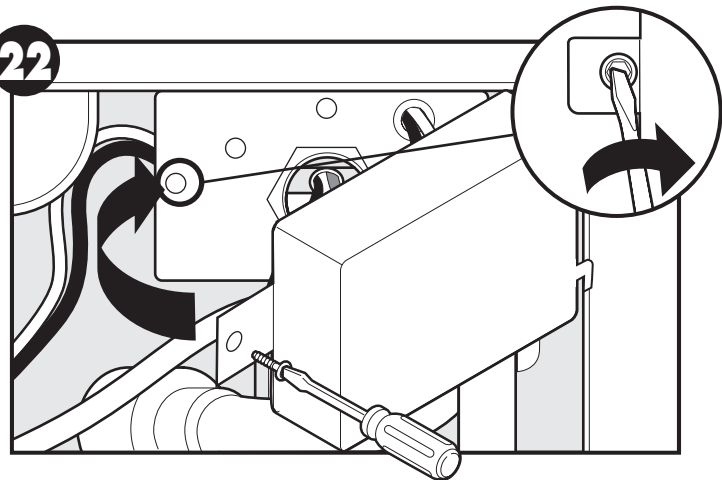
BLACK TO BLACK (L1)
NEGRO CON NEGRO (L1)
FIL NOIR À BORNE
NOIRE (L1)

WHITE TO WHITE
(NEUTRAL)
BLANCO CON BLANCO
(NEUTRO)
FIL BLANC À BORNE
BLANCHE
(NEUTRE)

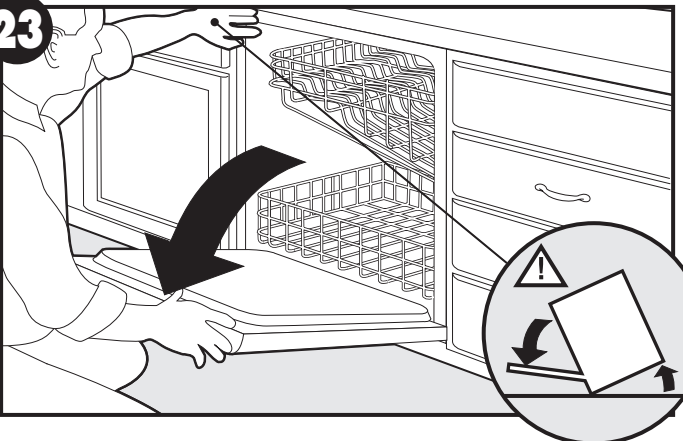
GROUND
PUESTA A TIERRA
MISE À LA TERRE



22



23



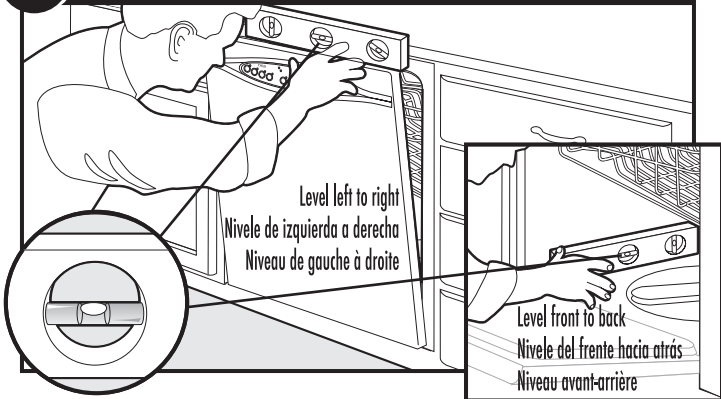
24





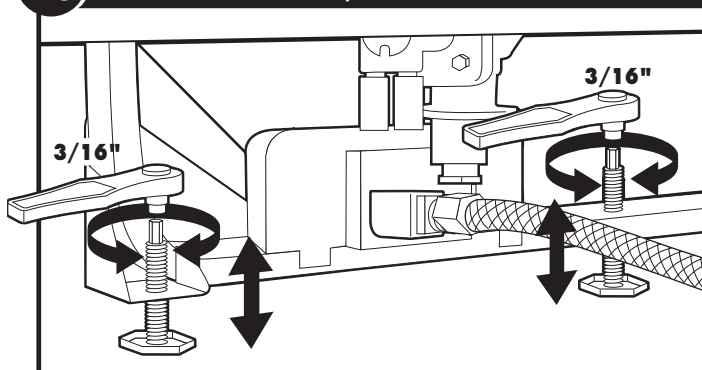
25

IMPORTANT/IMPORTANTE



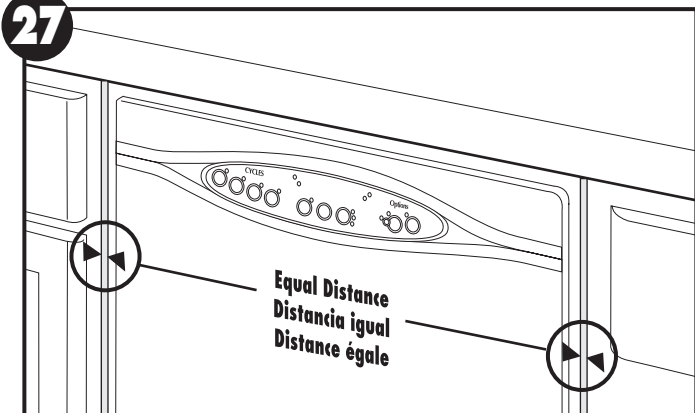
26

IMPORTANT/IMPORTANTE

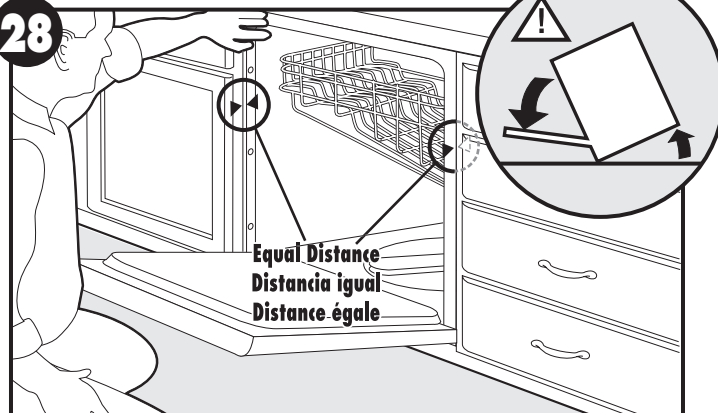


If not level repeat 24 / Si no está nivelado, repita el paso 24 / En cas de non-nivellement, voir l'étape 24

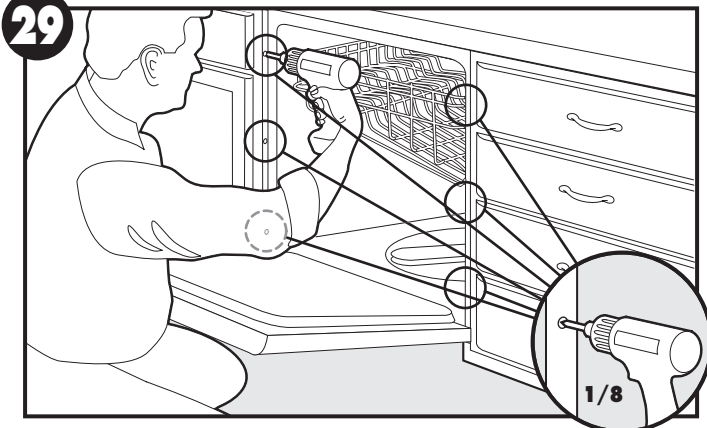
27



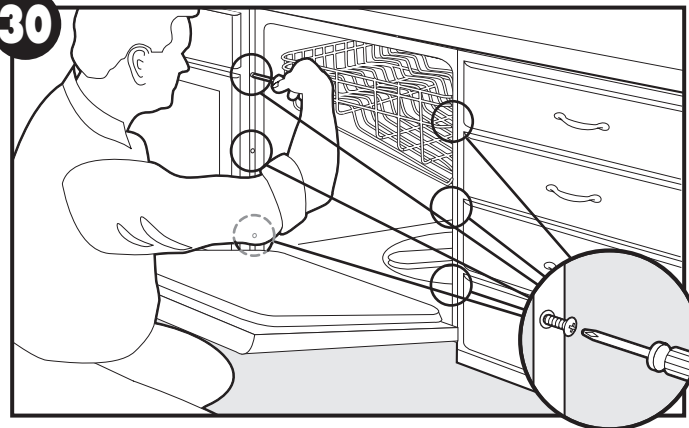
28



29

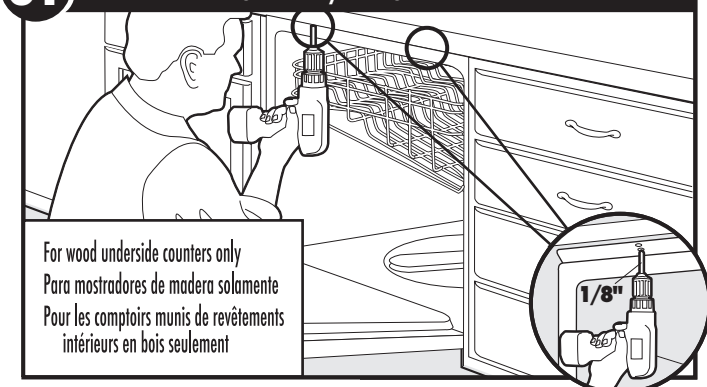


30



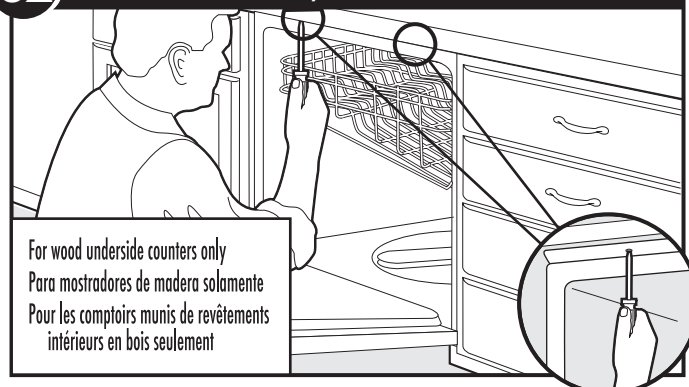
31

IMPORTANT/IMPORTANTE



32

IMPORTANT/IMPORTANTE

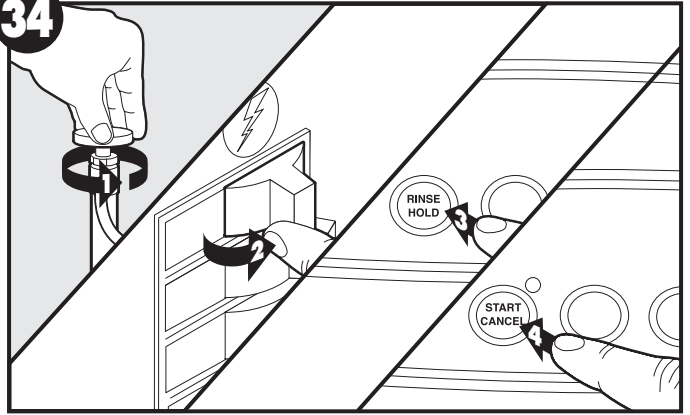




33

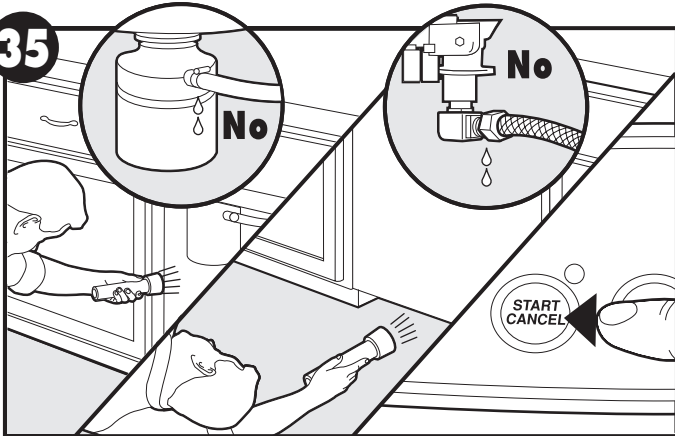


34



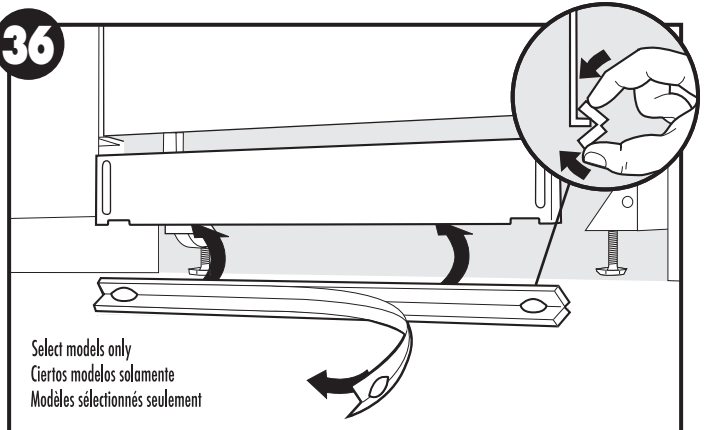
Turn on water, power and machine / Abra la llave de agua, conecte la corriente y encienda el aparato / Ouvrir le robinet d'eau, l'alimentation et mettre en marche

35



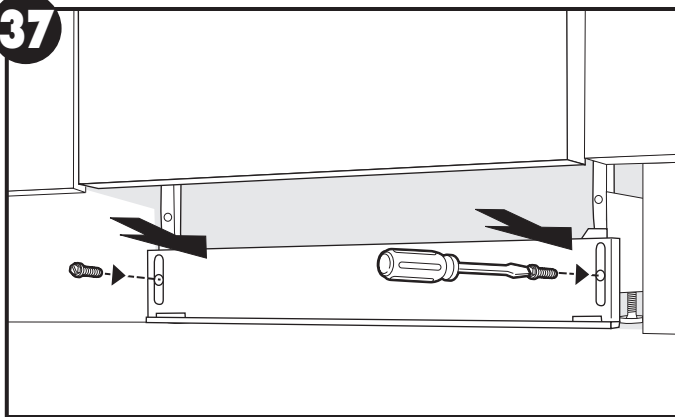
Check for leaks, turn off machine / Verifique si hay fugas, apague el aparato / Vérifier l'absence de fuites, mettre à l'arrêt

36

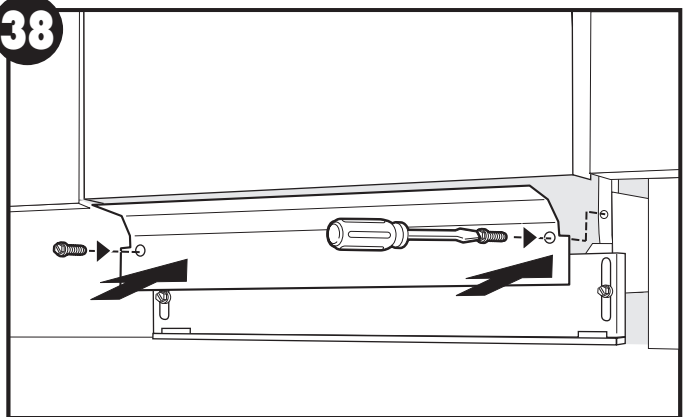


Select models only
Ciertos modelos solamente
Modèles sélectionnés seulement

37

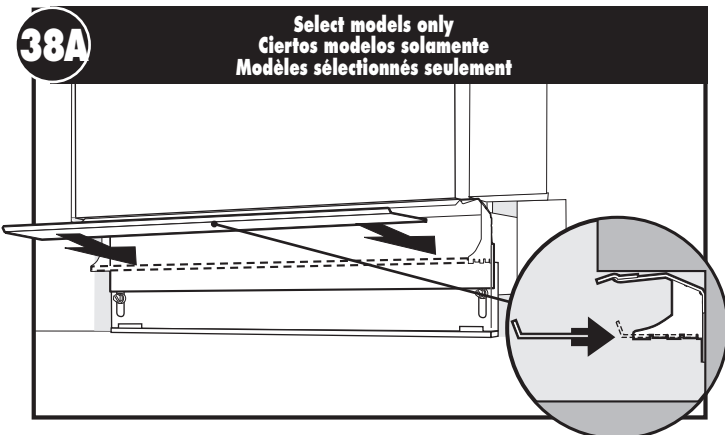


38

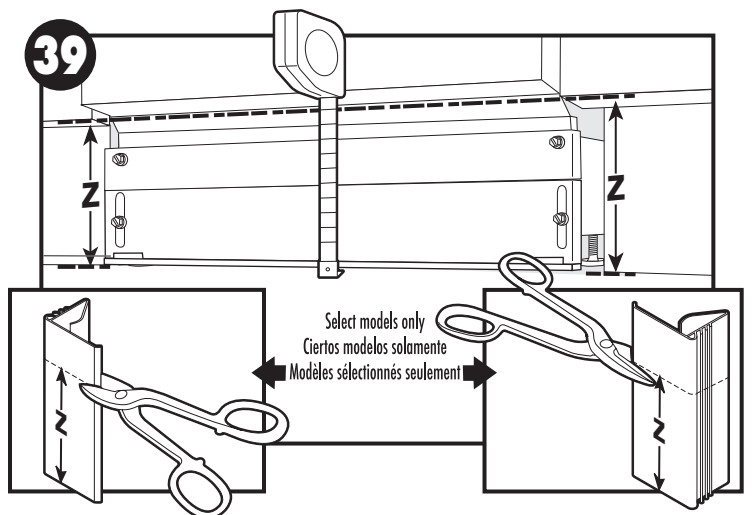


38A

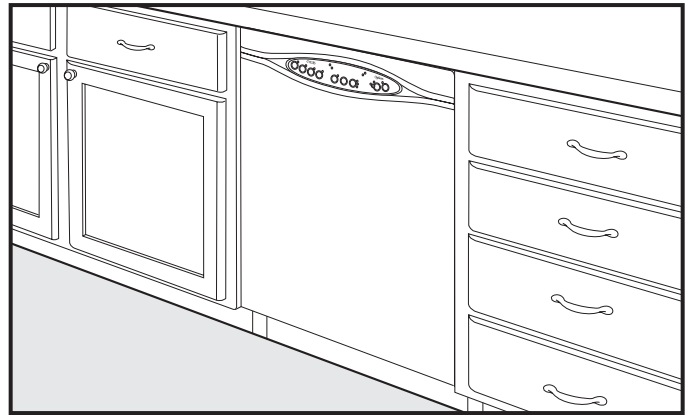
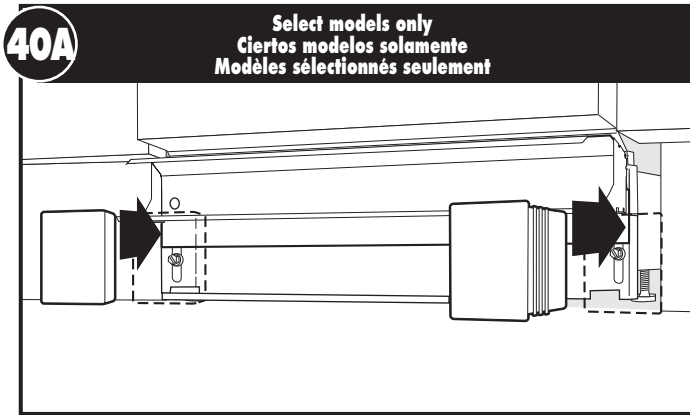
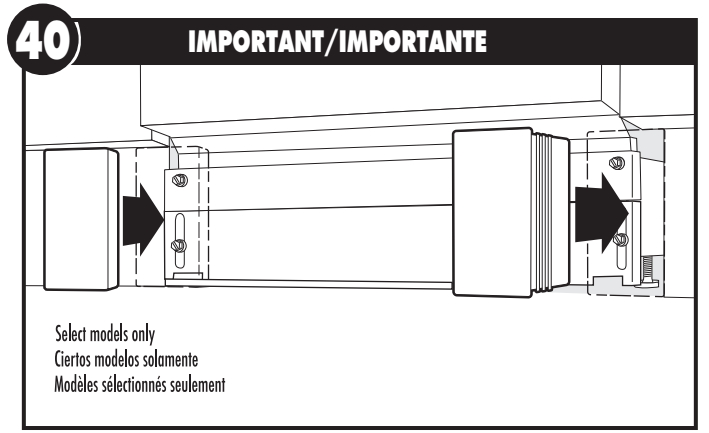
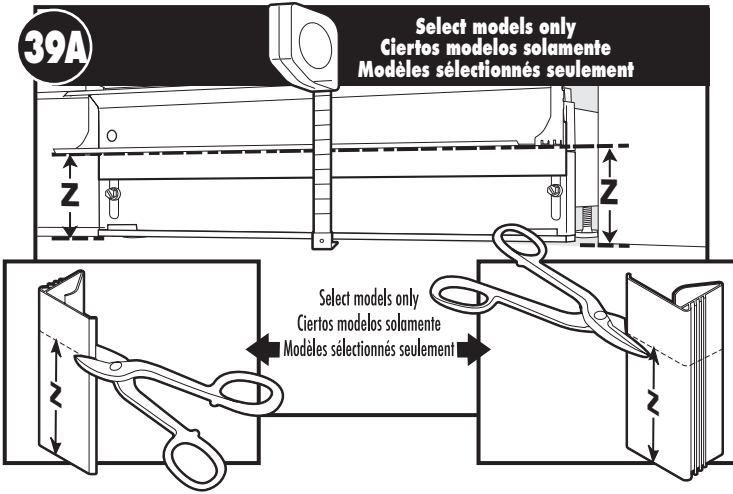
Select models only
Ciertos modelos solamente
Modèles sélectionnés seulement



39



Select models only
Ciertos modelos solamente
Modèles sélectionnés seulement





Notes: