

Service

This manual is to be used by qualified appliance technicians only. Maytag does not assume any responsibility for property damage or personal injury for improper service procedures done by an unqualified person.

Commercial Single and Stack Dryers

This Base Manual covers general information
Refer to individual Technical Sheet
for information on specific models

This manual includes, but is
not limited to the following:

**MDE/MDG21PDA
MDE/MDG21PDD
MDE/MDG21PNA
MDE/MDG21PND
MDE/MDG21PRA
MLE/MLG23PDA
MLE/MLG23PDC
MLE/MLG23PRA
MLE/MLG23PDF
MLE/MLG23PRF
MLE/MLG23MNA
MLE/MLG23MNF**

Important Information

Important Notices for Servicers and Consumers

Maytag will not be responsible for personal injury or property damage from improper service procedures. Pride and workmanship go into every product to provide our customers with quality products. It is possible, however, that during its lifetime a product may require service. Products should be serviced only by a qualified service technician who is familiar with the safety procedures required in the repair and who is equipped with the proper tools, parts, testing instruments and the appropriate service information. **IT IS THE TECHNICIANS RESPONSIBILITY TO REVIEW ALL APPROPRIATE SERVICE INFORMATION BEFORE BEGINNING REPAIRS.**



WARNING

To avoid risk of severe personal injury or death, disconnect power before working/servicing on appliance to avoid electrical shock.

To locate an authorized servicer, please consult your telephone book or the distributor from whom you purchased this product. For further assistance:

Contact your local commercial product distributor or visit Web site www.maytagcommerciallaundry.com.

Recognize Safety Symbols, Words, and Labels



DANGER

DANGER—Immediate hazards which **WILL** result in severe personal injury or death.



WARNING

WARNING—Hazards or unsafe practices which **COULD** result in severe personal injury or death.



CAUTION

CAUTION—Hazards or unsafe practices which **COULD** result in minor personal injury, product or property damage.

Table of Contents

Important Information	2	Thermostats	45
Important Safety Information	4	Cycling Thermostat	45
General Information		Low-Cycling Thermostat	45
Model Identification	7	Thermal Fuse	45
Commercial Dryer Nomenclature	7	Hi-Limit Thermostat	45
Terminology/Definitions	8	Blower Assembly	45
How It Works	9	Blower Seal	45
Gas Valve Assembly	9	Blower Cover	45
Test Equipment	12	Blower	46
Troubleshooting Procedures	13	Exhaust Duct Pipe	47
General Specifications	13	Drive Motor Assembly	47
Wattage Specifications	13	Assembly Breakdown	47
Exhaust Ducts	13	Motor Switch	47
Electrical Troubleshooting	14	Idler Arm Assembly	47
Drive Motor Check	14	Gas Valve Assembly	48
Motor Test Cord	15	Coil	48
Drive Motor Test	15	Igniter	48
Centrifugal Switch	15	Gas Valve	49
Air Shutter Adjustment	15	Combustion Cone	49
Manometer	16	Inlet Duct	49
Mechanical Troubleshooting	17	Heater Enclosure	49
Single Dryer Troubleshooting Guide	18	Stack Dryer-Sloped Front	50
Single Dryer Diagnostic Program	26	Service Panel & Switch	50
Single Dryer Diagnostic Code	27	Access Cover	50
Stack Dryer Troubleshooting Guide	29	Control Panel	50
Stack Dryer Diagnostic Program	34	Microprocessor	51
Stack Dryer Diagnostic Code	35	Coin Drop	51
Disassembly Procedures		Front Panel	52
Control Panel	37	Stack Dryer--Sloped Front (PR Model)	53
Microprocessor Board	37	Microprocessor	53
Touch Pad Assembly	37	Stack Dryer - MN Models	53
Transformer	37	Front Panel	53
Meter Case	37	Timer	54
Service Door Switch	38	Selector Switch	54
Coin Vault Switch	38	Push-To-Start Switch	54
Coin Drop Acceptor	38	Machine-In-Use Light	54
Coin Sensor	38	Stack Dryer - Flat Front Models	55
Door Assembly	38	Front Panel	55
Reversing Door Assembly	39	Microprocessor	55
Door Disassembly	39	Front Shroud Assembly	55
Front Panel	39	Motor & Heater Relays	56
Top Cover	40	Appendix A	57
Door Switch	40	Programming	58
Front Shroud Assembly Removal	41	Start Operating Set-up	58
Outlet Duct, Shroud & Tumbler Front	41	General User Information	58
Lint Filter	42	Set-Up codes	60
Bearing & Pads	42	Dryer Diagnostic Mode	66
Front Seal	42	Dryer Help Mode	66
Belt	42		
Baffles	43		
Rear Shroud Assembly	43		
Back Seal	44		
Roller & Bearing Assembly	44		

Important Safety Information



WARNING

To reduce the risk of fire, electric shock, serious injury or death to persons when using your washer, follow these basic precautions:

- Read all instructions before using the dryer.
 - Refer to the Grounding Instructions in the Installation Manual for the proper grounding of the washer.
 - Do not dry articles that have been previously cleaned in, washed in, soaked in, or spotted with gasoline, dry-cleaning solvents, or other flammable or explosive substances as they give off vapors that could ignite or explode.
 - Do not add gasoline, dry-cleaning solvents, or other flammable or explosive substances to the dryer. These substances give off vapors that could ignite or explode.
 - Do not allow children to play on or in the dryer. Close supervision of children is necessary when the dryer is used near children. This is a safety rule for all appliances.
 - Before the dryer is removed from service or discarded, remove the door to the drying compartment.
 - Do not reach into the dryer if the drying tumbler is moving.
 - Do not install or store the dryer where it will be exposed to water and/or weather.
 - Do not tamper with the controls.
 - Do not repair or replace any part of the dryer, or attempt any servicing unless specifically recommended in the User-Maintenance instructions or in published user-repair instructions that you understand and have the skills to carry out.
 - To reduce the risk of an electric shock or fire, do not use an extension cord or an adapter to connect the dryer to the electrical power source.
 - Use your dryer only for its intended purpose, drying clothes.
 - Always disconnect the dryer from electrical supply before attempting any service. Disconnect the power cord by grasping the plug, not the cord.
 - Install the dryer according to the Installation Instructions. All connections for venting, electrical power and grounding must comply with local codes and be made by licensed personnel when required. Do not do it yourself unless you know how!
 - To reduce the risk of fire, clothes which have traces of any flammable substances such as vegetable oil, cooking oil, machine oil, flammable chemicals, thinner, etc. or anything containing wax or chemicals such as in mops and cleaning cloths, must not be put into the dryer. These flammable substances may cause the fabric to catch on fire by itself.
- Do not use fabric softeners or products to eliminate static unless recommended by the manufacturer of the fabric softener or product.
 - Keep your dryer in good condition. Bumping or dropping the dryer can damage safety features. If this occurs, have your dryer checked by a qualified service person.
 - Replace worn power cords and/or loose plugs.
 - Be sure water connections have a shut-off valve and that fill hose connections are tight. Close the shut-off valves at the end of each wash day.
 - Loading door must be closed any time the dryer is in operational fill, tumble, or spin. Do not attempt to bypass the loading door switch by permitting the dryer to operate with the loading door open.
 - Always read and follow manufacturer's instructions on packages of laundry and cleaning aids. Heed all warnings or precautions. To reduce the risk of poisoning or chemical burns, keep them out of the reach of children at all times (preferably in a locked cabinet).
 - Always follow the fabric care instructions supplied by the garment manufacturer.
 - Never operate the dryer with any guards and/or panels removed.
 - Do not operate the dryer with missing or broken parts.
 - Do not bypass any safety devices.
 - Failure to install, maintain, and/or operate this dryer according to the manufacturer's instructions may result in conditions which can produce bodily injury and/or property damage.

NOTE: The Warnings and Important Safety Instructions appearing in this manual are not meant to cover all possible conditions and situations that may occur. Common sense, caution and care must be exercised when installing, maintaining, or operating the dryer.

Always contact your dealer, distributor, service agent or the manufacturer about any problems or conditions you do not understand.

Important Safety Information

WARNING

To avoid personal injury or death from improper servicing, make sure you read and understand the descriptions and meaning of various safety symbols, words and labels used in this manual, before attempting any procedures described in the manual. Failure to understand and comply with safety information may result in severe personal injury or death.

General Information

This Service Manual describes the operation, troubleshooting, disassembly, and repair of Maytag® dryer. It is intended for use by authorized technicians who troubleshoot and repair these units.

NOTE: It is assumed that users of this manual are familiar with the use of tools and equipment used to troubleshoot and repair electrical, and mechanical systems; and understand the terminology used to describe and discuss them.

Related Publications

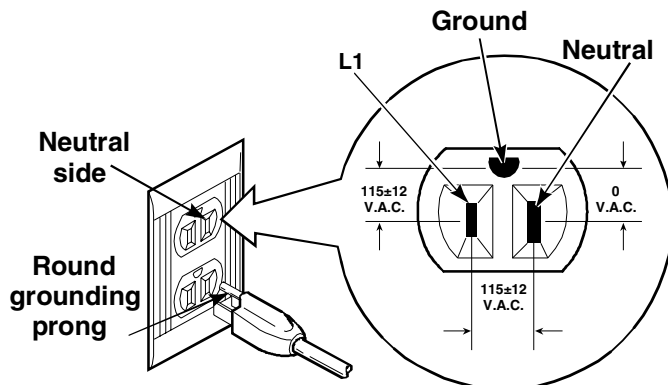
This is a base service manual, covering a range of similar models. It is intended to be used in conjunction with the Parts Manual and Technical Sheet covering the specific model being serviced.

Electrical Service Information

Proper Grounding and Polarization of 120 Volts Wall Outlets

For the safety of our customers and the Service Technician ALL appliances have a three-prong power cord and MUST be connected to a properly polarized AND grounded wall outlet.

This information was written for those who do not understand grounding and polarization of a wall outlet. A 120 volt wall outlet must always be wired as shown below.



About Ground Wires

In the event of an electrical short circuit, a ground wire reduces the risk of electric shock by providing an escape wire for the electric current.

Standard accepted color coding for ground wires is **green or green with a yellow stripe.**

Grounding wires and wires colored like grounding wires are **NOT** to be used as current carrying conductors.

WARNING

To reduce the risk of fire, electric shock, serious injury or death, all wiring and grounding must conform with the latest edition of the National Electric Code, ANSI/NFPA 70, or the Canadian Electrical Code, CSA C22.1, and such local regulations as might apply. It is the customer's responsibility to have the wiring and fuses checked by a qualified electrician to make sure your home has adequate electrical power to operate the dryer.

WARNING

To avoid risk of personal injury or death due to electrical shock:

- **Observe all local codes and ordinances.**
- Disconnect electrical power to unit before servicing.
- Ground appliance properly.
- Check with a qualified electrician if you are not sure this appliance is properly grounded.
- DO NOT ground to gas line.
- DO NOT ground to cold water pipe if pipe is interrupted by plastic, nonmetallic gaskets, or other insulating (nonconducting) materials.
- DO NOT modify plug on power cord. If plug does not fit electrical outlet, have proper outlet installed by qualified electrician.
- DO NOT have a fuse in the neutral or ground circuit. A fuse in the neutral or ground circuit could result in an electrical shock.
- DO NOT use an extension cord with this appliance.
- DO NOT use an adapter plug with this appliance.
- DO NOT pinch power cord.

Important Safety Information

Explanation

Polarization—This means that the larger slot must be neutral and the small slot must be at line voltage.

Mispolarized—The outlet is incorrectly wired so that the larger slot is at line voltage and the smaller slot is neutral.

Grounded—This means the round hole connection is connected to earth ground through a connection to the main power panel.

Ungrounded—The round hole connection is not complete to earth ground and/or the main power panel.

Grounding Instructions



WARNING

- To avoid the risk of electrical shock or death, do not alter the plug.
- Do not remove grounding prong when installing grounded appliance in a home that does not have three wire grounding receptacle. Under no condition is grounding prong to be cut off or removed. It is the personal responsibility of the consumer to contact a qualified electrician and have properly grounded three prong wall receptacle installed in accordance with appropriate electrical codes.
- To avoid the risk of electrical shock or death, this equipment must be grounded.

This equipment **MUST** be grounded. In the event of an electrical short circuit, grounding reduces the risk of electric shock by providing an escape wire for the electric current. This unit is equipped with a cord having a grounding wire with a grounding plug. The plug must be plugged into an outlet that is properly installed and grounded.

Consult a qualified electrician or technician if grounding instructions are not completely understood, or if doubt exists as to whether the equipment is properly grounded. Do not use an extension cord. If the product power cord is too short, have a qualified electrician install a three-slot receptacle. This unit should be plugged into a separate 60 hertz circuit with the electrical rating as shown in the appropriate drawing. Models operate with a supply voltage of 120 Volts.

General Information

Model Identification

Model and serial number is located on the back of the console and cabinet. It is important that you keep a record for future reference.

- For Maytag product call your distributor or visit the Web Site at www.maytagcommerciallaundry.com
- When contacting provide product information located on rating plate. Record the following:

Model Number: _____

Serial or S/N Number: _____

Date of purchase: _____

Distributor name and address: _____

Service

Keep a copy of sales receipt for future reference or in case warranty service is required. To locate an authorized distributor:

- For Maytag product call your distributor or visit the Web Site at www.maytagcommerciallaundry.com.

Service should be performed by qualified service technicians. We also recommend contacting an authorized distributor, if service is required.

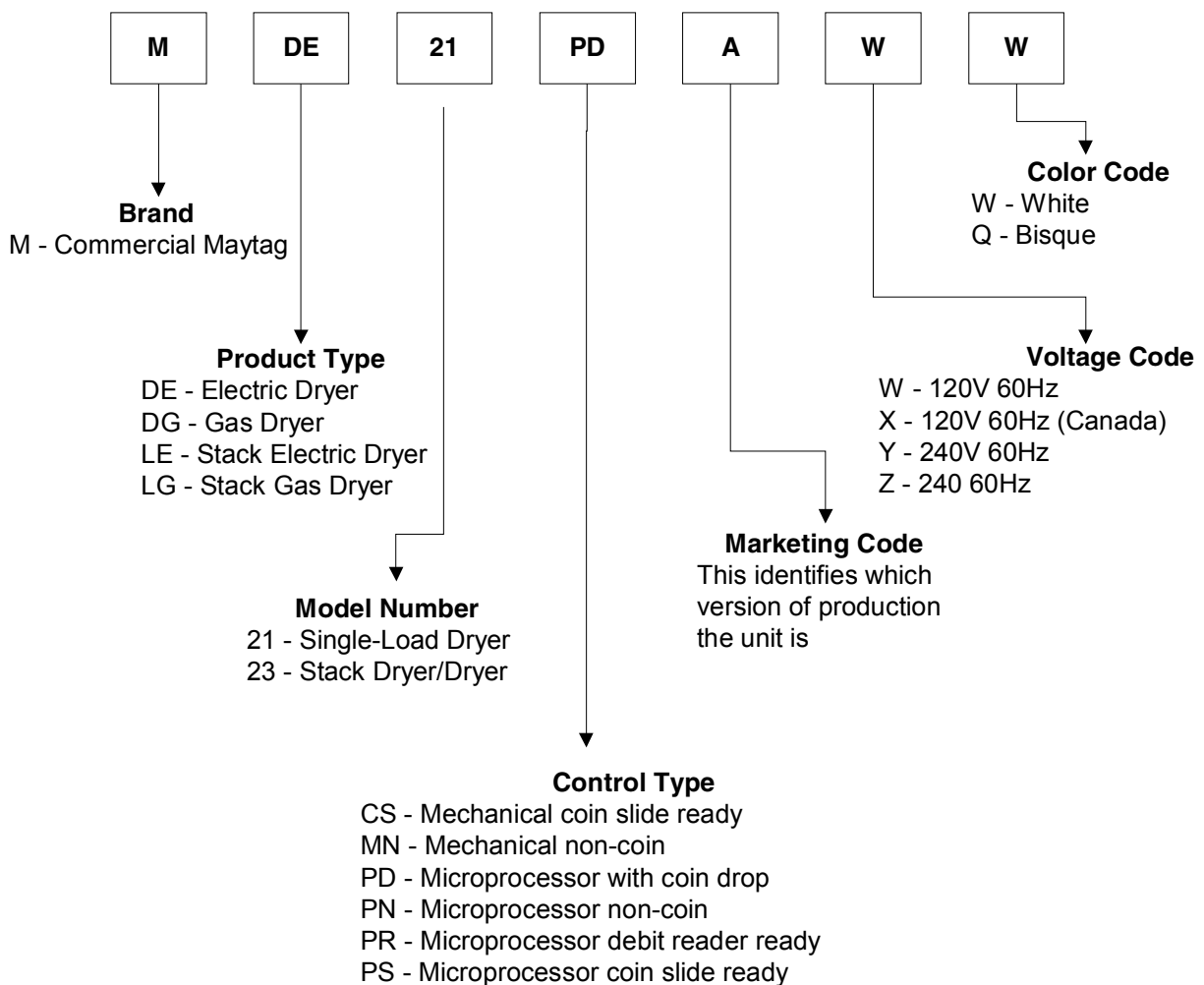
Parts and Accessories

Purchase replacement parts and accessories over the phone. To locate an authorized distributor:

- For Maytag product call your distributor or visit the Web Site at www.maytagcommerciallaundry.com.

Only factory approved replacement parts should be used.

Commercial Dryer Nomenclature



General Information

TERMINOLOGY/DEFINITIONS

<u>TERM</u>	<u>DEFINITIONS</u>
Amperage	- The amount or the rate of flow of electrical current.
Booster Coil	- A coil used to assist the holding coil to raise the plunger in the gas valve allowing gas to flow into the second chamber of the valve.
BTU	- British Thermal Unit is the quantity of heat required to raise the temperature of one pound of water 1°F.
Centrifugal	- A switch device in a motor used to change the path of electricity from both start and run winding to run winding only. It also completes the circuit to the heat source when motor reaches speed.
CFM	- Air movement measured in cubic feet per minute.
ClothesLifters	- Devices attached to the inside of the tumbler used to lift and tumble the clothes during operation of the dryer.
Coin Drop	- A device which accepts and registers the number and denomination of coins used to start the dryer.
Duct	- A construction of aluminum or galvanized steel pipe used to convey moisture laden air from the dryer to the outside.
Evaporation	- The process of expelling moisture from garments by heat and/or air movement.
Exhaust Hood	- A damper placed at the terminating end of the ducting which prevents air from entering the duct when the dryer is not running.
Glide Strip	- A stationary bearing surface at the front on which the dryer tumbler turns.
Holding Coil	- A coil used to open the first valve in the gas valve assembly. It holds the valve open after the initial assistance from the booster coil.
Igniter	- A silicon carbide igniter located on the burner bracket near the main orifice. It can reach a temperature of 2200° F. in 30 seconds to ignite the gas (when allowed to flow through gas valve orifice).
Light Emitting form	- A solid state indicator unit found as a single light and in a display Diode arrangement to numbers and letters.
Manometer	- An instrument for measuring the pressure of gas or air.
Microprocessor-OHM	- The "brains" of the control board. A solid state "count and switch" processor device. A unit of measurement of resistance (opposition to the flow of current).
Parallel Circuit	- A circuit in which there is more than one current path.
Radiant Sensor-	- Thermostat-like device which reacts to the brightness or radiant energy output of a heat source.
Sensor Relay	- A coil operated switch used to control dryer motors, heating element or gas valve on computer models.
Relay	- A coil operated switch used to control dryer motors, heating element or gas valve on Computer models.
Resistor	- A device used to limit the flow of current or reduce voltage.
Run Winding	- The main electromagnetic winding in a motor.
Series	- A circuit in which there is only one current path through all components.
Start Winding	- (Phase winding) An auxiliary winding used in an A.C. motor to assist the main winding in developing starting torque.
Thermostat	- A bimetal switch which reacts to temperature changes.
Tumbler	- Cylinder which contains and tumbles clothes.
Voltage-	Electric pressure that forces the current to flow in a circuit.
Wattage	- Wattage is a unit of measurement of the capability of electricity to do work.

General Information

HOW IT WORKS

The cycles are made up of three basic operations. White & Colors, Permanent Press and Delicates and Knits. These operation are sequenced by the controls (timer or microprocessor board) to provide a drying cycle for each of several different fabrics.

Incoming air is pulled over and around the exterior of the rotating tumbler. The air passing over the tumbler is preheated from the warm tumbler. This incoming air also passes over the inside of the cabinet lowering the cabinets temperature and minimizing the heat being dispelled into the laundry area.

The pre-conditioned air is pulled through the heat enclosure. As the air passes over the flame or heating element, it is heated causing the air to expand which increases its ability to absorb more moisture.

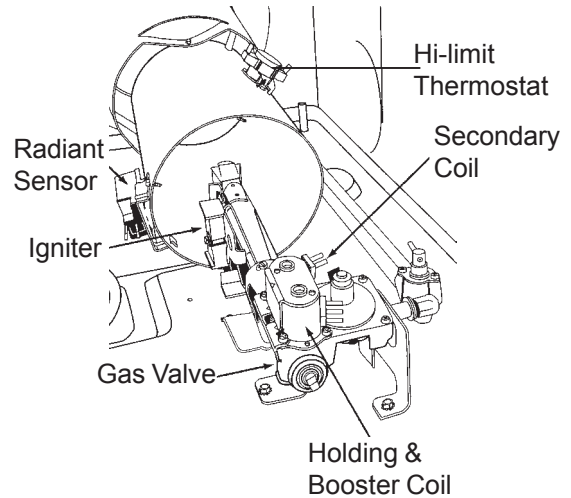
The heated air is pulled up the stack and through the grid in the tumbler back, through the tumbler, and to the lower area of the tumbler front. The tumbler is rotating in a clockwise direction lifting the garments to the top of the tumbler. The garments fall free of the clothes lifters through the air stream. As this tumbling takes place, the garments keep turning over within the tumbler. Moisture is evaporated from the garments tumbling in the warm, dry air.

After passing through the garments, the air will contain moisture and lint. This air is pulled from the tumbler through a fine mesh filter located in the bottom of the door opening. The quantity of lint collected on the filter is dependent upon the size and type of load being dried.

From the filter, the air is pulled into the exhaust blower and forced out the exhaust system. The high speed blower is capable of moving up to 220 CFM of air. The volume of the tumbling chamber is approximately 6.0 cubic feet.

GAS VALVE ASSEMBLY

The gas controls utilize a hot surface ignition system. The three major components of the gas ignition system are: Igniter, Radiant Sensor and Gas Valve.



Igniter - When the controls call for heat, line voltage is applied to the igniter. This causes the igniter to heat up and glow. It can reach a temperature of approximately 2200° F in approximately 30 seconds. Gas contacting the igniter at this temperature will ignite immediately.

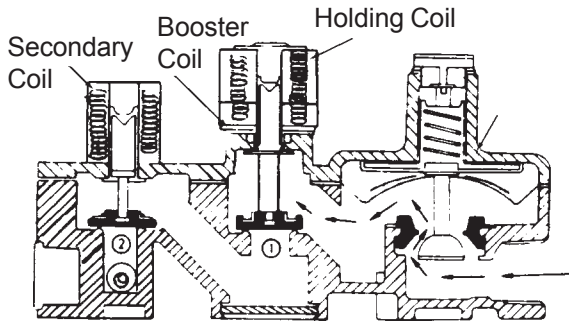
Radiant Sensor - The radiant sensor operates much like a regular thermostat. It is mounted to the side of the combustion cone over an opening which exposes the sensor to the heat of the igniter and burner flame. In its normal condition, the contacts in the radiant sensor are closed and the circuit is completed to the igniter. The igniter glow causes the radiant sensor contacts to open, thus breaking the circuit to the igniter.

Gas Valve - The gas valve is actually two gas valves, one in series with the other. The first valve is opened by a solenoid which has two separate coils built into one solenoid. This solenoid uses what is termed a split coil. The coils are referred to as the Holding Coil and the Booster Coil.

Both coils are needed to lift the armature and open the valve. The holding coil is strong enough to keep the valve open once the armature has been lifted.

The second of the two valves is operated by a one-coil solenoid. This is called a Secondary Coil.

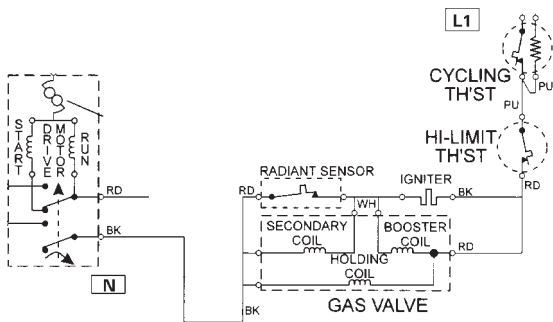
General Information



Step 1: Operation: Dryer Controls calling for heat: The red wire in the gas valve harness is normally the "hot" side of the line. Voltage is routed to the gas valve assembly through the cycling thermostat located on the blower cover and the hi-limit thermostat on the heater cone. The black wire to the gas valve is normally the neutral side of the line and is completed through the motor centrifugal switch.

Function of Gas Valve System

The sensor, igniter and gas valve are interrelated and function as ignition and heat source. At the start of the cycle, the radiant sensor contacts are closed, the igniter is at room temperature and the gas valve is closed, blocking the flow of gas. NOTE: On the wiring diagram, the radiant sensor contacts are wired in parallel with the secondary coil. This bypasses current around the secondary coil when the radiant sensor contacts are closed. Valve 2 cannot open with the radiant sensor contacts closed.



The booster coil and the igniter are wired in parallel.

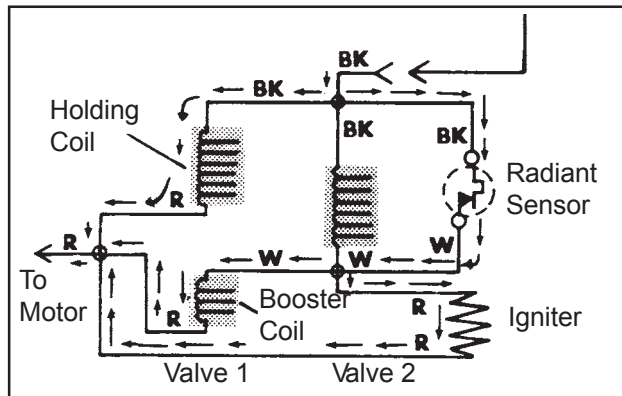
Note: While these two components are in parallel with each other, they are wired in series with both the radiant sensor and secondary coil combination.

When the radiant sensor contacts are closed, full line voltage is available to the booster coil and to the igniter

When the radiant sensor contacts open, current has to flow through the secondary coil on Valve 2 in order to get to the booster coil and igniter. A significant voltage drop develops across the secondary coil. While the parallel booster coil and igniter are still in the circuit, they become ineffective due to their low resistance and the resulting reduced voltage available to them.

Radiant Sensor Contact Closed

The holding coil, booster coil and igniter all receive line voltage. The holding coil and booster coil open Valve 1. Valve 2 is still closed, prohibiting gas flow to the burner. The igniter, operating at line voltage, begins to get very hot. (As the igniter gets hotter, the resistance of the igniter drops.) The igniter glow radiates heat to the radiant sensor.



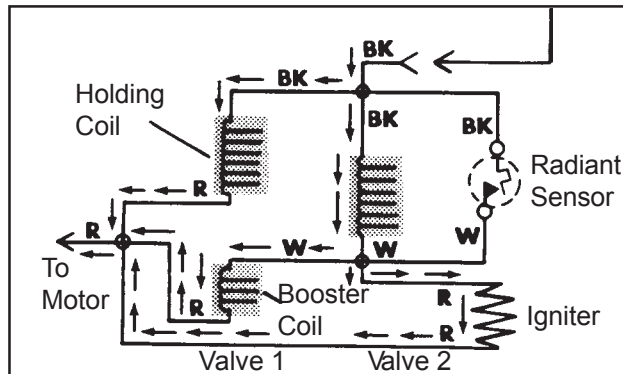
The secondary coil on Valve 2 is bypassed because the radiant sensor contacts are closed. By not allowing voltage to the secondary coil, the second valve cannot open and prevents gas flow to burner.

Step 2: Radiant Sensor Contact Open:

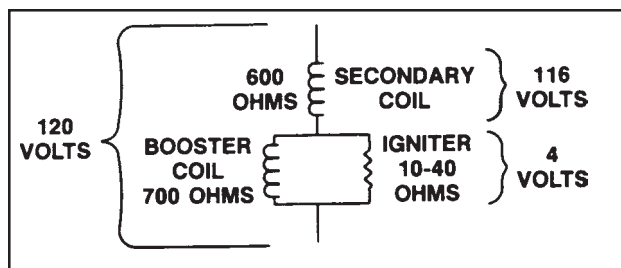
The igniter is now hot and valve one (1) is open. The heat from the igniter causes the radiant sensor switch contacts to open.

With the radiant sensor contacts open, the secondary coil is no longer bypassed. The secondary coil is now in series with the parallel circuit combination of the booster coil and the igniter.

General Information



Because of the relatively low resistance of the hot igniter, most of the line voltage is dropped across the secondary coil. The remaining voltage is dropped across the booster coil and igniter.



The secondary coil now opens the second valve releasing gas across the still extremely hot igniter. The gas ignites immediately and the burner flame is established.

Note: Since the igniter will cool, the tip is positioned in the burner flame which keeps it hot and resistance low.

The ignition cycle is now completed and the drying cycle begins.

Gas Conversions

The gas valve is set for use with natural gas when shipped from the factory. Because of differences in operating pressure and heat content of gases, the valve must be converted to use fuels other than natural gas.

Conversion kits are available to convert from natural to L.P. and back to natural. Check parts catalog for correct part number.

Safety Features

The design of the system provides for fail-safe operation in the event of power interruption, ignition failure, or flame failure as described below.

Power Interruptions

If the power to the burner assembly is cut off, either by opening the dryer door or by a power line failure, both valves in the gas valve assembly will close. Gas flow will cease.

When power is restored to the valve, the radiant sensor will start the process again. However, if the radiant sensor has not cooled and the contacts are still open, the secondary coil will receive full voltage and OPEN with no gas flowing through the secondary valve.

Since the secondary coil is in series with the booster coil, the reduced current flow through the booster coil is insufficient to create a strong enough magnetic field to help open the first coil valve. When the radiant sensor cools and closes its contacts, the sensor will shut the secondary coil again, providing a full current flow to the igniter and the booster coil, and system will go through a normal ignition sequence.

Ignition Failures

When the radiant sensor reacts to the heat from the igniter and the contacts open, the secondary coil energizes, opening the secondary valve. This allows gas to flow to the burner.

If no gas is present or the gas flow is not ignited, the radiant sensor will cool and the contacts will close, causing the secondary valve to close, thus allowing the igniter to reheat. The system will continue to cycle in this manner until normal ignition occurs or the dryer is turned OFF.

Flame Failure

If the burner flame should go out for any reason, the radiant sensor contacts will close in about 45 seconds and the gas system will go through a normal ignition sequence.

General Information

⚠ WARNING

To avoid risk of electrical shock, personal injury or death from improper servicing, make sure you understand the proper procedures and usage of tools listed, before attempting any procedures described in the manual. Failure to understand and comply with safety information may result in severe personal injury or death.

TEST EQUIPMENT

The equipment required to service Maytag products depends largely upon the condition you encounter. Locating a malfunction will often require the use of electrical testing equipment such as:



Analog Test Meter can be used to check for open or closed circuits, measure resistance, AC and DC volts, and temperature.

DESCRIPTION	PART NUMBER
Analog Test Meter	20000005
Digital Test Meter	20001001
Clamp-on Ammeter	20000002
AC Voltage Sensor	20000081
Air Test Meter	20000029
Water Column Manometer	038205

Clamp-On Ammeter can be used to detect shorts. Overloads on the circuit breaker or fuse can be traced to either the dryer or circuit breaker by checking the dryer current draw.



Digital Test Meter

can be used to check for open or closed circuits, measure resistance, AC and DC volts, and temperature.



AC Voltage Sensor

can be used to alert you if AC voltage is present so proper safety precautions can be observed. The tip of the sensor will glow bright red if voltage is between 110-600 volts AC.

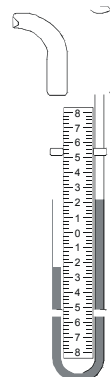


Air Test Meter

can be used to check back pressure in the exhaust duct. Vent restriction can cause back pressure and disrupt normal operations of the dryer.



Water Column Manometer can be used to check gas pressure being supplied to the dryer and the outlet tap pressure on the gas valve.



Troubleshooting Procedures



WARNING

To avoid risk of electrical shock, personal injury or death, disconnect power to unit before servicing, unless testing requires power.

General Specifications

Capacity	6.0 Cubic Feet	One washer load is a full dryer load
Motor	Thermo-protected against overload auto-reset	1/4 HP, 120 Volt, 60 Hz
Air Flow	Cubic feet per minute exhausted from dryer	220 CFM
Tumbler	Revolution per minute	52 RPM
Rotation	Drum Turning, when viewed from the front	Clockwise
Heat Source	<ul style="list-style-type: none"> • Electric • Gas 	<ul style="list-style-type: none"> • 240 volt, 5600 watts, 30 amp fuse • Single port burner 24,000 BTU/hr direct ignition, automatic shut-off
Exhaust	Venting size	4"(10.2 cm) duct, rigid aluminum duct work. (See installation instructions that are provided with the product for additional information.)
Makeup Air	Free opening	Requires 30 sq. in. per dryer pocket
Static Pressure	Single unit exhausting, 4" round rigid	Should not exceed 0.92" or less than 0 water column inches

Wattage Specifications

DESCRIPTION	WATTS
Gas Dryer	350 Maximum without igniter
Electric	5900 (240V)/5600 (208V)
Heating Element	5600 (240V)/5100 (208V)
Igniter (<i>NOTE: Ohm room temperature 180-400</i>)	600

Exhaust Ducts

MAXIMUM EXHAUST DUCT LENGTH PER NUMBER OF TURNS		
Number Of 90° Turns		
Maximum length of 4-inch diameter rigid metal duct.		
0	65 ft. (19.8 m)	59 ft. (18 m)
1	54 ft. (16.5 m)	48 ft. (14.6 m)
2	44 ft. (13.4 m)	38 ft. (11.6 m)
3	36 ft. (11 m)	30 ft. (9.1 m)
4	28 ft. (8.5 m)	22 ft. (6.7 m)
Maximum length of 4-inch diameter flexible stiff-walled metal duct.		
0	36 ft. (11 m)	28 ft. (8.5 m)
1	32 ft. (9.8 m)	24 ft. (7.3 m)
2	28 ft. (8.5 m)	20 ft. (6.1 m)
3	25 ft. (7.6 m)	17 ft. (5.2 m)
4	23 ft. (7 m)	15 ft. (4.6 m)

Troubleshooting Procedures



WARNING

To avoid risk of electrical shock, personal injury or death, disconnect power to unit before servicing, unless testing requires power.

ELECTRICAL TROUBLESHOOTING

The malfunction of an electrical circuit cannot easily be diagnosed unless you first understand how it functions when operating normally. The electrical schematic and wiring diagram includes a cycle sequence chart keyed to the contacts in the timer, relay and/or control switches.

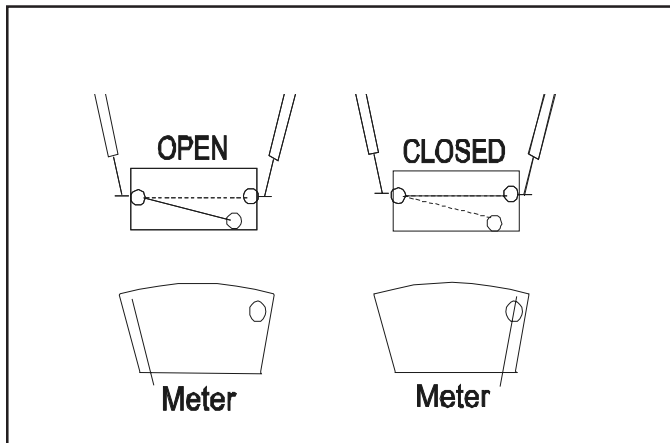


CAUTION

Resistance or continuity testing is done with the product disconnected from power. Failure to do so can result in damage to your meter.

For the most part, we will only be concerned with continuity. Is there a path or not? References are made between a "closed" (Continuity) reading and an "open" (No continuity) reading. One note, when you get an "open" reading, try a higher resistance range (setting). A very high resistance appears as an "open" on the lower ranges. For best accuracy always "rezero" meter when changing ranges and/or the physical position of the meter

Continuity testing, as related to an electrical component, is the check of a part for an "open" or closed" circuit.



Electrical components fall into two general categories.

1. **Loads** - Devices that use or consume electricity. Examples would include drive motor, timer and solenoids coils.
2. **Switches** - Devices that control the supply of electricity to the load or loads in a circuit. Examples include lid switches, timer contacts selector switch and relay contacts.

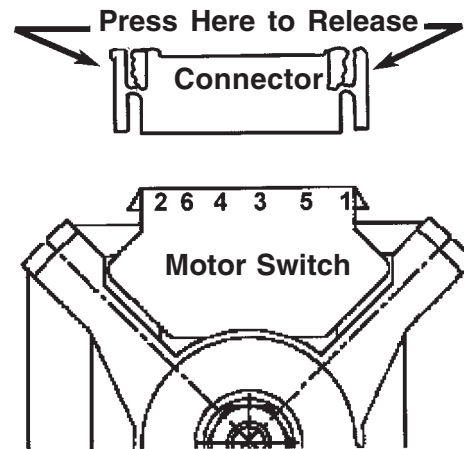
Continuity test of load devices will show varying levels of resistance from very low for some transformer and motor windings to very high for some timer motors and components on control boards. Usually it is more important to know if there is a path for current flow through a device (continuity) that to know the exact resistance (ohms) of the device.

Continuity tests of switches will show virtually no resistance across a closed contacts. Resistance, even low value indicate burned or dirty contacts in a switch.

When checking components or circuit paths for continuity, external wiring should be disconnected to eliminate false readings through external paths. Isolate what you want to test.

Drive Motor Check

The motor features a leadless motor connection, comprised of a quick connector wire harness which connects directly to the motor. The connector has two locking tabs securing the connector to the motor switch. Press on both locking tabs to release the connector from the motor switch.



With the wire harness connector removed, press inward on the brown actuator disc in the motor. The start and run winding can now be checked for proper ohms. Place the leads from an ohm meter on the proper terminals as listed in the following chart.

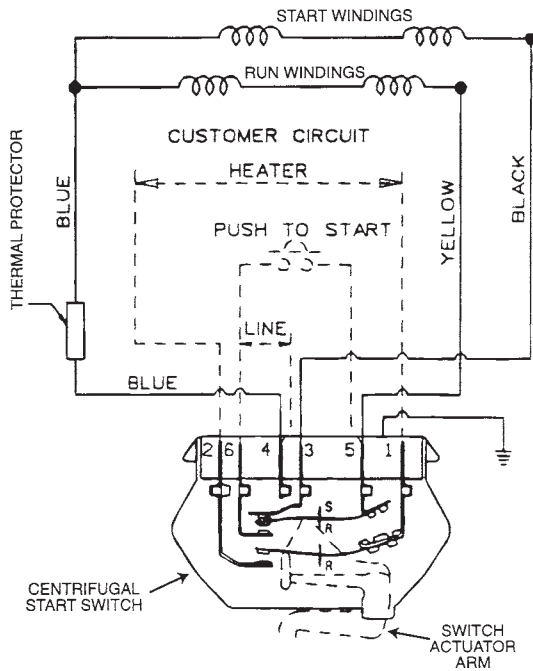
Using an ohm meter, you can also check the wiring harness for continuity from the timer to the motor

Troubleshooting Procedures



WARNING

To avoid risk of electrical shock, personal injury or death, disconnect power to unit before servicing, unless testing requires power.



Winding	Terminal	Terminal	Ohms
Start	3	4	3.00
Run	5	4	2.25

Motor Test Cord

A motor test cord may be used to electrically check operation of the various electrical components without removing them from the unit. Testing in this manner determines whether or not the part will function independently of other electrical components. In order to make an accurate test, proper connection of the motor test cord is important.

Drive Motor Test

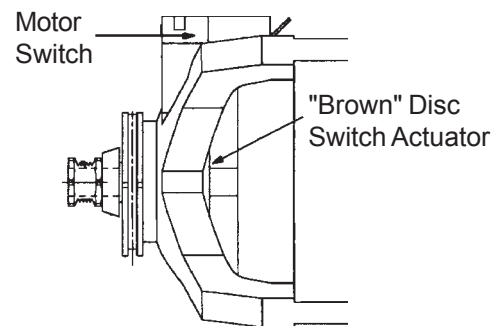
The motor may be checked in the dryer or removed and checked.

Two test leads are required to check operation of the drive motor. To check the motor for operation, hook the test cord to terminals 4 and 5.

Centrifugal Switch

Checking heater/gas valve and motor:

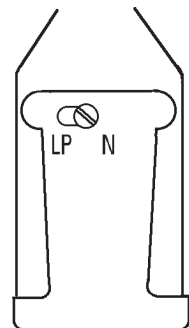
1. Disconnect the wire harness from the motor
2. Place ohm meter leads to terminals 1 and 2.
3. With your thumbs, depress the BROWN disc located behind the motor switch on the motor shaft. The BROWN disc actuates the lever of the motor switch when the motor is at rest. At optimum motor speed, the disc moves away from the switch lever. When the disc is pressed in toward the windings, the actuator arm of the centrifugal switch will be relaxed. This allows the contacts to close, completing the heater circuit. If no continuity is found when the disc is depressed, change the centrifugal switch.



Side View of Motor

Air Shutter Adjustment

The air shutter has been stamped "LP" and "N" (for Natural). Loosen the screw holding the shutter, rotate the shutter until the end of the slot (labeled for the gas to be used) contacts the screw. Tighten the screw to lock the shutter in place.



Gas Type	Natural	LP
BTU Per Cu. Ft	1050	2050
Pressure Switch	3.5	11
Specific Gravity	0.65	1.53
Orifice Size	41	53

Troubleshooting Procedures



WARNING

To avoid risk of electrical shock, personal injury or death, disconnect power to unit before servicing, unless testing requires power.

Manometers

Insufficient gas flow can cause problems. Therefore, checking the gas pressure at the time service calls are performed may prevent a return call.

Gas pressure can be checked with an instrument called a "manometer." This device can detect a "low" LP tank, restricted gas flow, bad gas valve, a malfunctioning pressure regulator, too many gas appliances operating off of a small supply line, or an improperly converted appliance from Natural to LP gas.

Other types of manometers exist; however, the type of manometer we will discuss in this manual is a "U" shaped tube in which water is added. Both ends are open so the water can equalize and seek its own level, which will be the same in both arms of the "U" shaped tube.

A flexible rubber hose is connected to the lower open end of the manometer and to the gas source. Gas pressure is exerted on one of the water columns, pushing it down. The water level then rises in the other column. The difference in water levels equals the measure of gas pressure.

The water column (W.C.) for a Maytag dryer is 3.5" W.C. for Natural gas and 11" W.C. for LP.

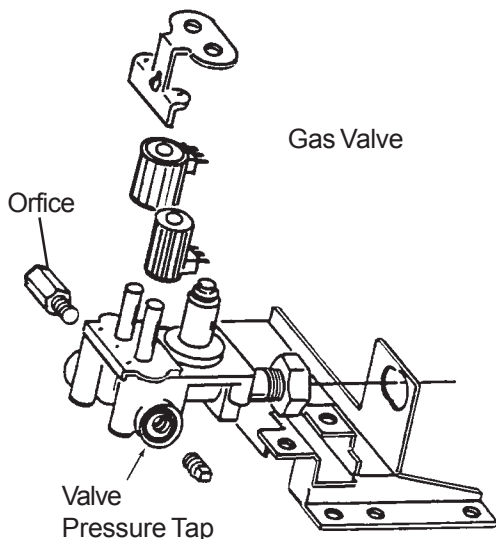
How to Use:

1. Disconnect power supply to unit.
2. Remove front panel.
3. Shut off the gas to the dryer.

4. Install a 1/4" tapered fitting at the gas valve pressure tap. Use thread seal tape or compound on fitting.
5. Fill the manometer tube with water until each side equalizes at "0" water column.
6. Push the end of the manometer hose onto the 1/4" fitting located on the gas valve.
7. Connect hose to one end of the manometer
8. Turn on the gas and reconnect dryer to power. Run the dryer in a heat cycle. Read the manometer with the burner ON, (check for gas leaks).
9. When the gas is on, the amount of water column present is equal to the total amount of deflection shown in the manometer.

Note: Once the test is completed, make sure the tapered fitting is removed from the gas valve and the plug is repositioned into the gas valve and resealed with pipe seal. Check for gas leaks again with a soap or bubble solution. **NEVER USE OPEN FLAME TO CHECK FOR GAS LEAKS.**

Note: **IF HIGH WATER COLUMN PRESSURE IS DETECTED;** the gas flame can damage the flame spreader on the burner (this can be caused by the wrong orifice, improper air mixture or high gas pressure. If pressure is as high as suspected, contact the local gas utilities company to check the outside regulator.)



Troubleshooting Procedures



WARNING

To avoid risk of electrical shock, personal injury or death, disconnect power to unit before servicing, unless testing requires power.

Mechanical Troubleshooting

Will Not Run

If dryer will not start or run, check the following:

- All wires are hooked up to their corresponding terminals.
- Dryer is plugged in.
- Blown fuse or circuit breaker
- Door switch functional...door closed.
- Push-to-start switch functional.
- Timer functional...set in a cycle.
- Drive motor functional.
- Blown thermal fuse.

If drive motor runs, but the tumbler will not turn, check the following:

- Belt off or broken/damaged.
- Idler tension spring too weak or stretched.
- Idler pulley jammed or stuck.

If dryer runs a few minutes and then stops - motor overload protector opens, check the following:

- Lint buildup around drive motor
- Low voltage present.
- Blower impeller blocked in blower housing.
- Drive motor - start switch contacts stuck closed.

If dryer blows fuses or trips circuit breaker, check the following:

Electric Models

- The amperage readings are at 240 volts. One line will be 24 amps and other line will be 21 amps. The neutral line will be at 4 amps. If the above amperages are present, then the house wiring, fuse box or circuit breaker should be suspected.
- Shorted heating element to housing.
- Incorrect wiring or a wire shorting to ground.
- Drive motor winding shorting to ground.

Gas Models

- During ignition, the dryer will draw 7 amps. With the burner ON, the dryer will draw 4.5 amps. If the dryer is drawing amperages below this, then the house wiring, fuse box or circuit breaker are suspected to be at fault.
- Igniter harness loose and shorted to base.
- Incorrect wiring or wire shorted to ground.
- Drive motor winding shorting to ground.

Will Not Shut-Off

On time dry settings, check the following:

- Timer motor receiving proper voltage.
- Check timer motor connections.
- Timer functional.

Will Not Dry

If dryer will not heat (motor runs), check the following:

- Restricted exhaust caused by plastic or thin foil flexible duct.
- Open heating element.
- Hi-Limit thermostat trips too soon or is open.
- Cycling thermostat trips too soon or is open.
- Temperature selector switch mis-wired or contacts open.
- Timer functional.
- Cycle selector switch mis-wired or contacts open.
- Drive motor centrifugal start switch not allowing voltage to gas valve or heating element.

If improper drying/clothes wrinkled/rough texture/taking too long to dry, check the following:

- Restricted exhaust caused by plastic or thin foil flexible duct.
- Lint filter is not clean.
- Restriction in exhaust.
- Outside exhaust hood damper door stuck closed.
- Exhaust too long, too many elbows, flex ductwork installed.
- Poor makeup air available for the dryer
- Incorrect tumbler speed. Tumbler belt slipping.
- Blower impeller bound; check for foreign material in blower area.
- Customer overloading dryer.
- Check clothing labels for fabric content and cycle selected.
- Gas valve coil opens - weak point in coil opens when stressed under heated conditions.
- Clothes too wet due to insufficient spin- out by washer.

Noisy and/Or Vibration

- Thumping. Check for loose tumbler baffle, rear tumbler roller(s) worn or misaligned, out-of-round tumbler or high weld seam on tumbler
- Ticking. Check for loose wire harness or object caught in blower wheel area.
- Scraping. Check for front or rear bulkhead felt seal out of position or worn tumbler front Rulon™ bearings.
- Popping or squealing sound. Check for a sticky or frayed belt.

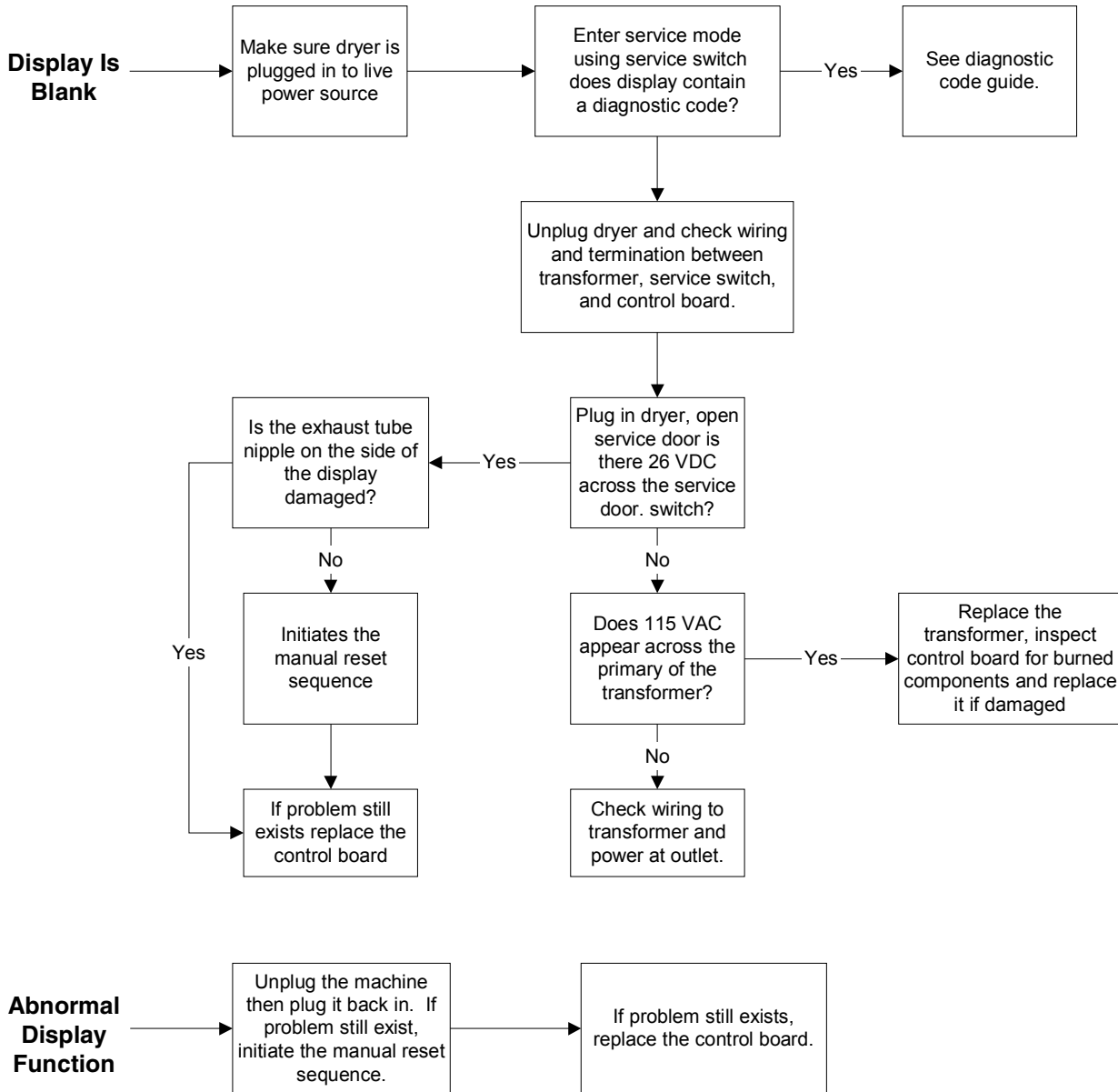
Troubleshooting Procedures



WARNING

To avoid risk of electrical shock, personal injury or death, disconnect power to unit before servicing, unless testing requires power.

Single Dryer Troubleshooting Guide



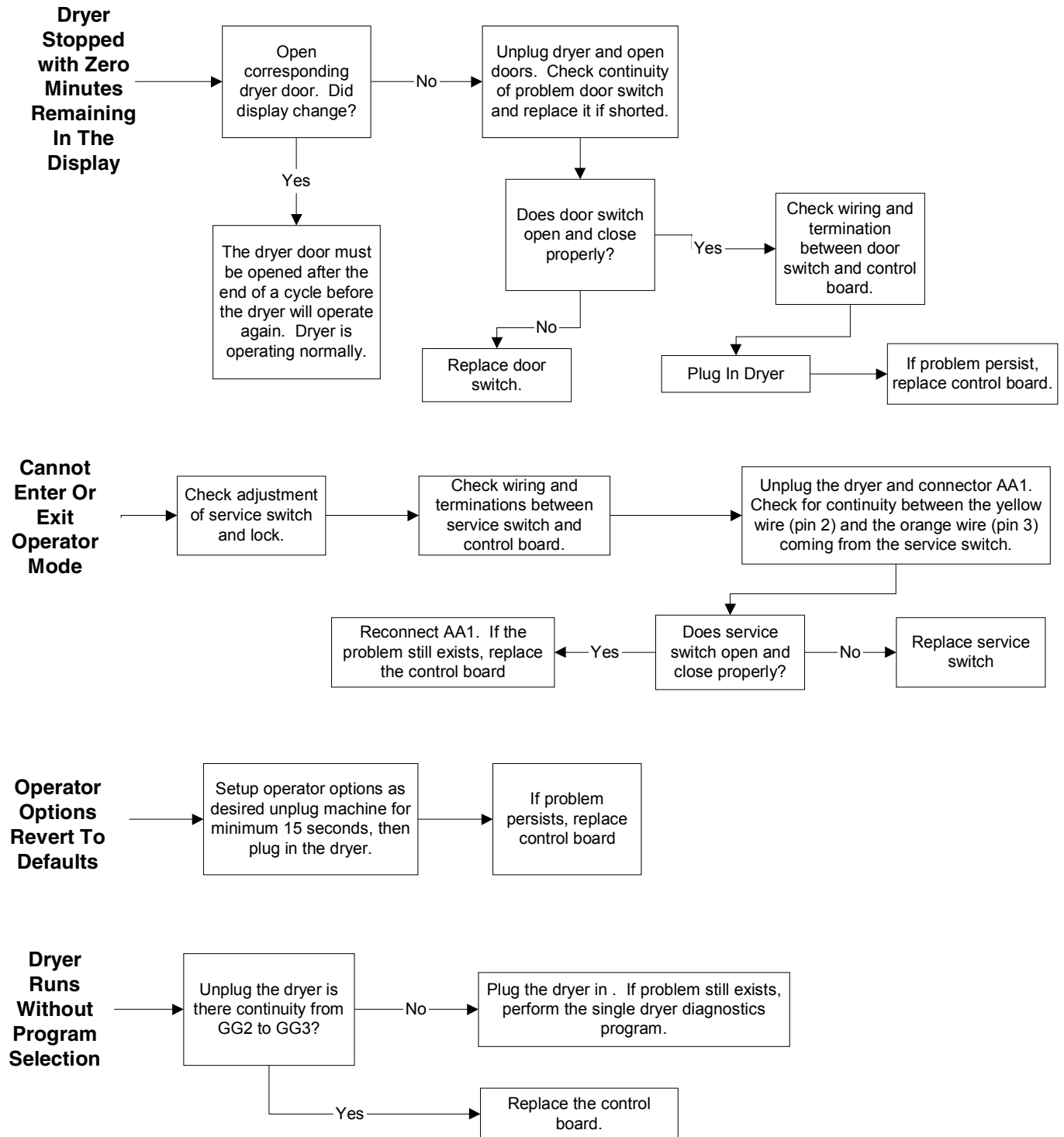
Troubleshooting Procedures



WARNING

To avoid risk of electrical shock, personal injury or death, disconnect power to unit before servicing, unless testing requires power.

Single Dryer Troubleshooting Guide



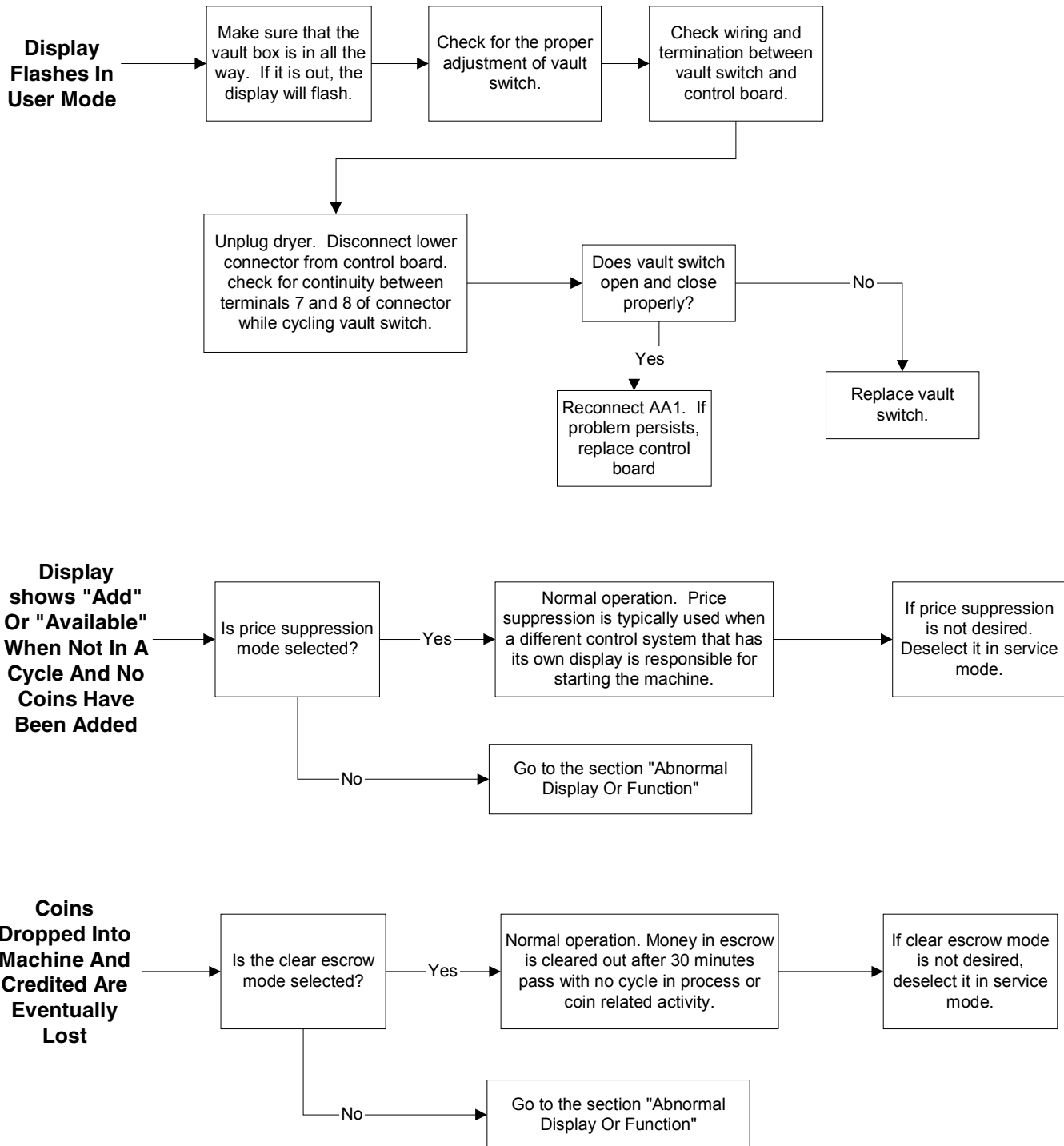
Troubleshooting Procedures



WARNING

To avoid risk of electrical shock, personal injury or death, disconnect power to unit before servicing, unless testing requires power.

Single Dryer Troubleshooting Guide



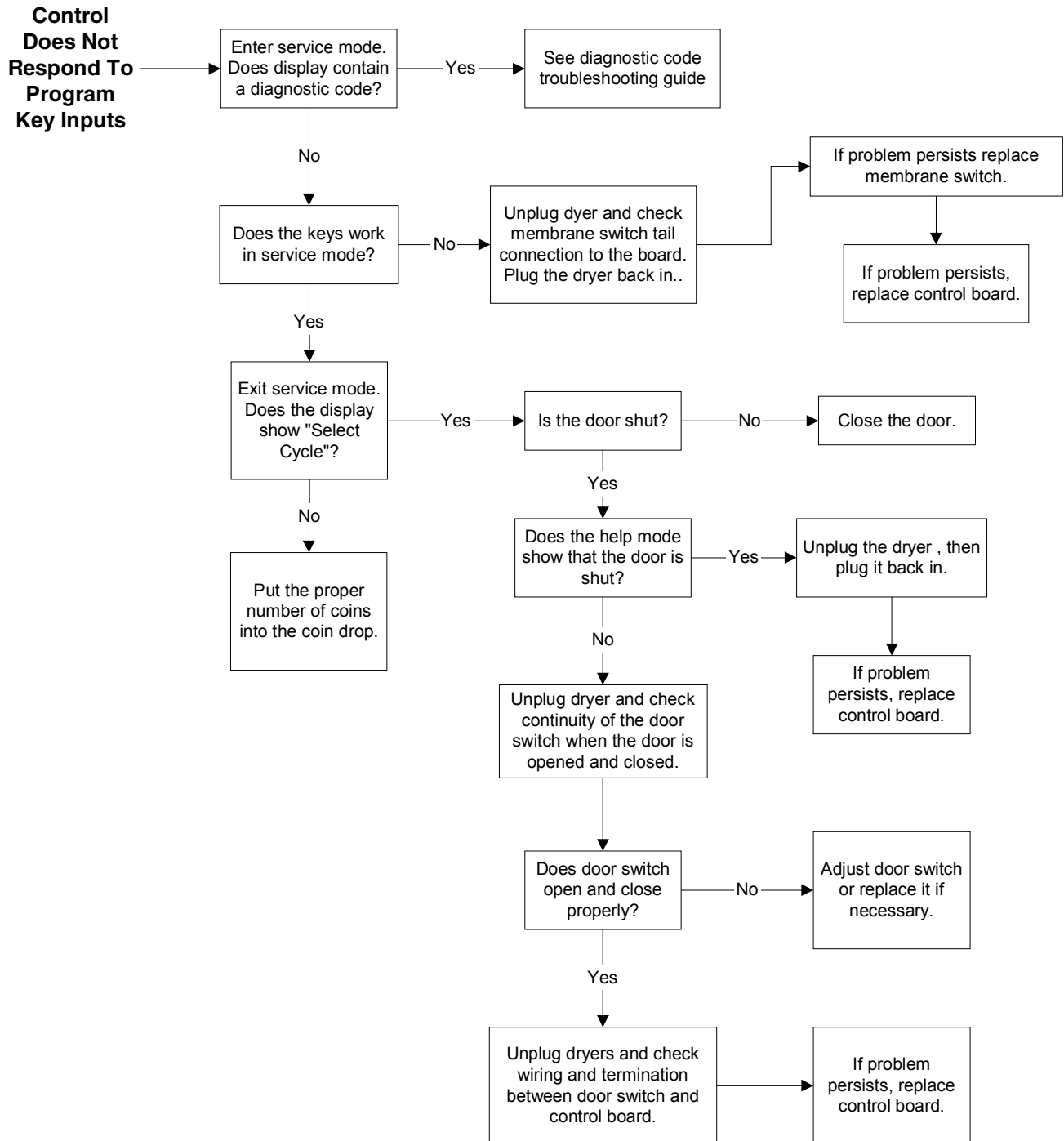
Troubleshooting Procedures



WARNING

To avoid risk of electrical shock, personal injury or death, disconnect power to unit before servicing, unless testing requires power.

Single Dryer Troubleshooting Guide



Troubleshooting Procedures

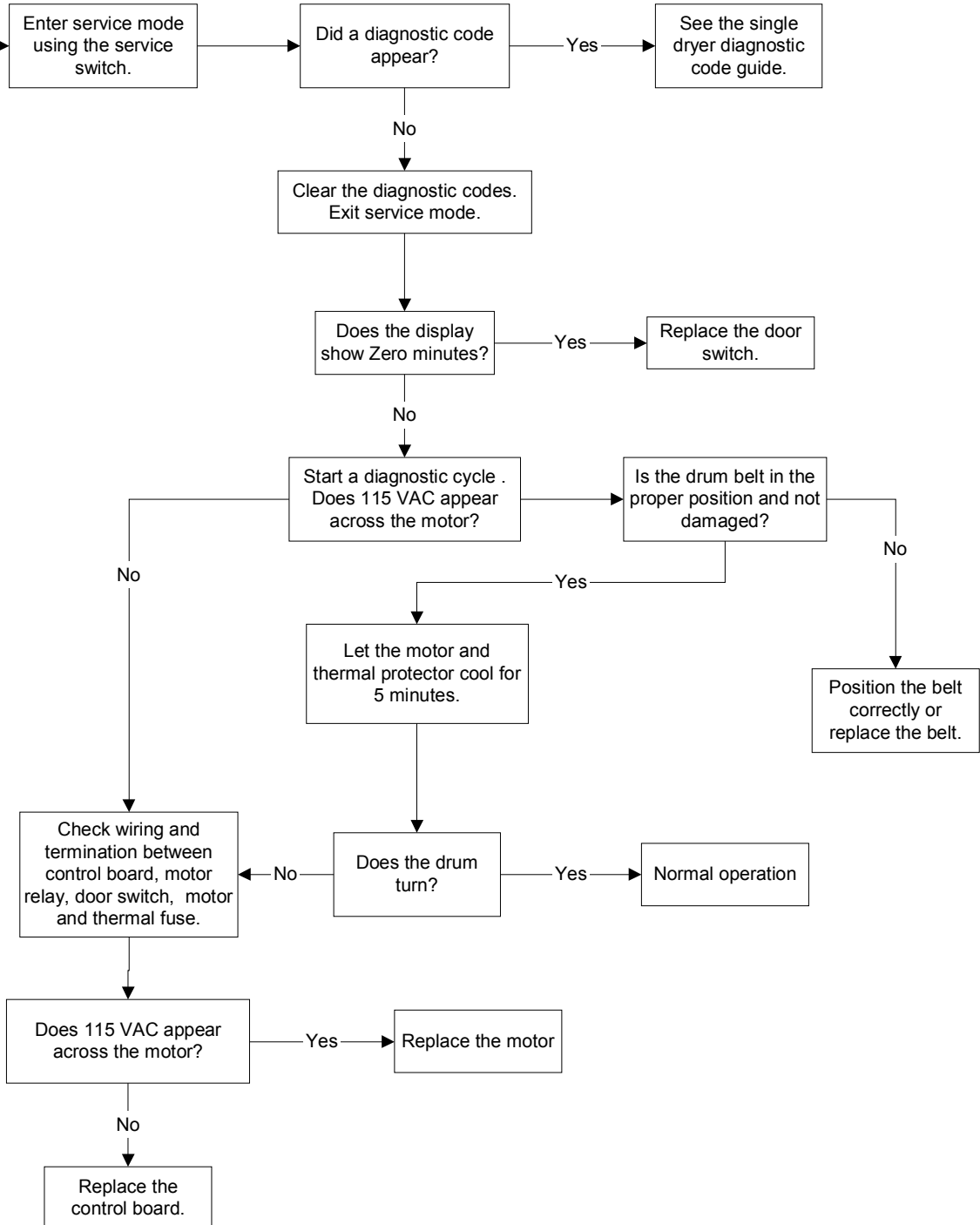


WARNING

To avoid risk of electrical shock, personal injury or death, disconnect power to unit before servicing, unless testing requires power.

Single Dryer Troubleshooting Guide

Dryer Drum Will Not Turn



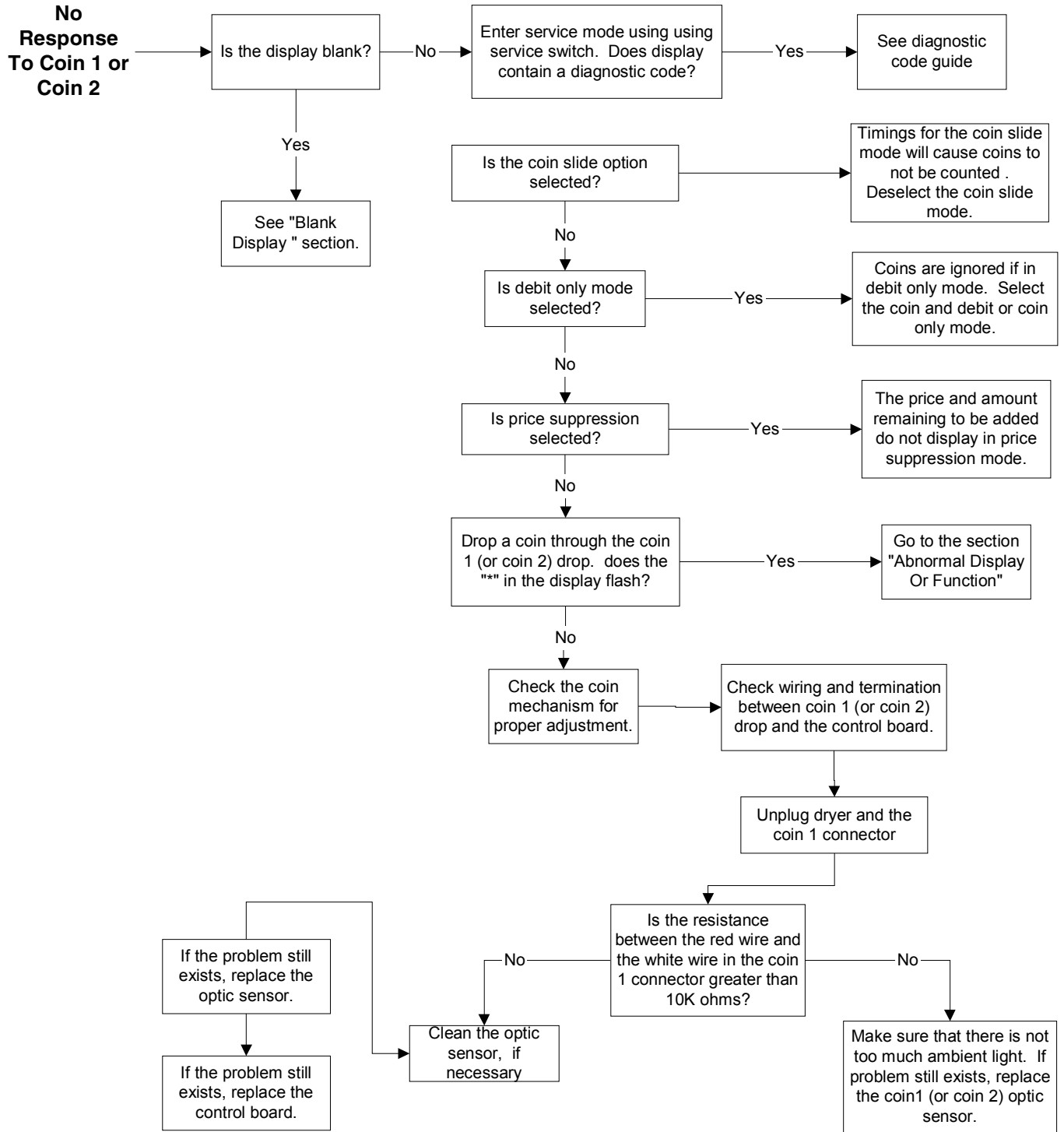
Troubleshooting Procedures



WARNING

To avoid risk of electrical shock, personal injury or death, disconnect power to unit before servicing, unless testing requires power.

Single Dryer Troubleshooting Guide



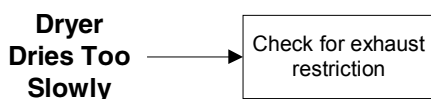
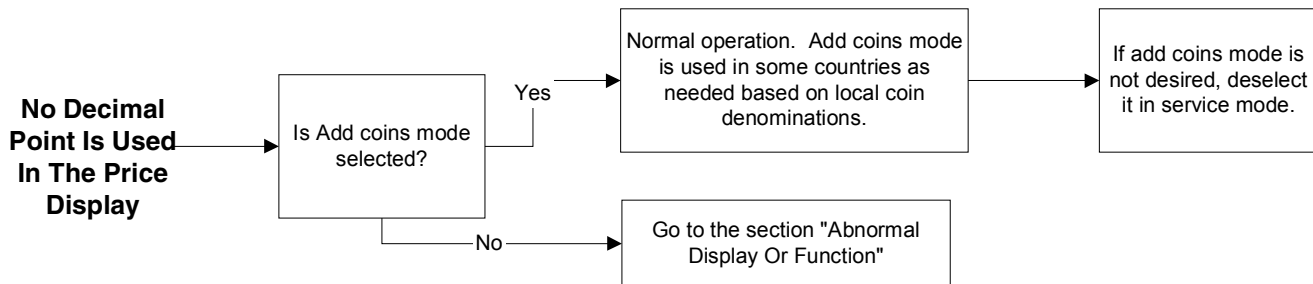
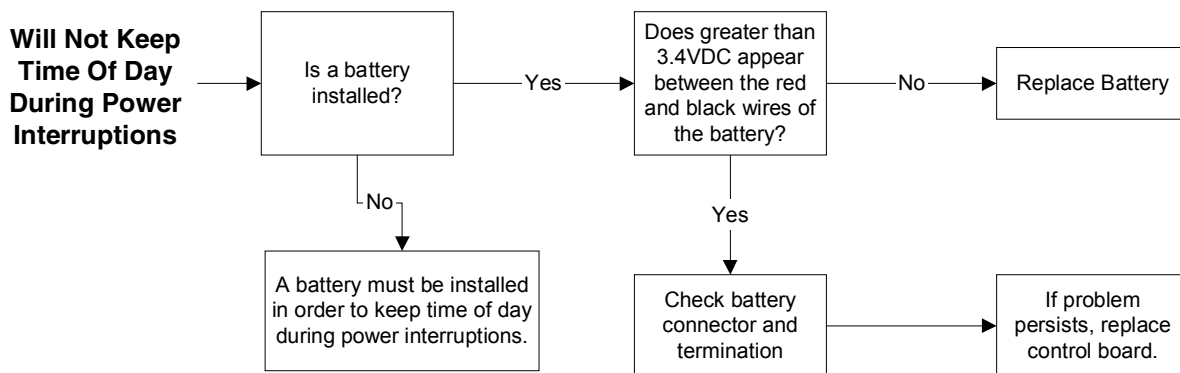
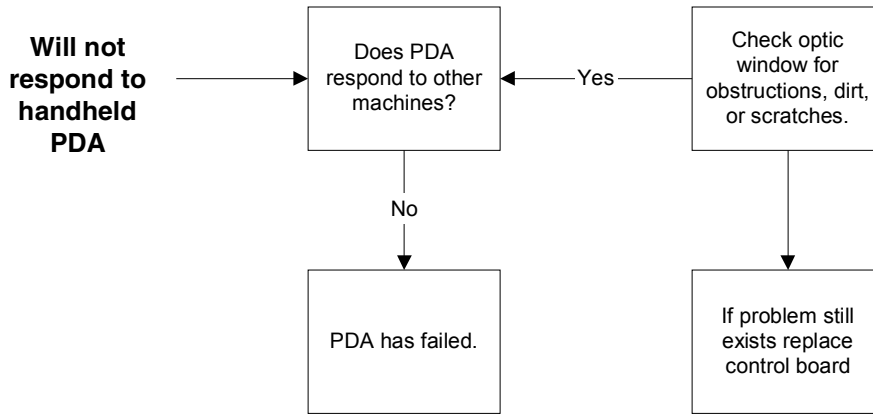
Troubleshooting Procedures



WARNING

To avoid risk of electrical shock, personal injury or death, disconnect power to unit before servicing, unless testing requires power.

Single Dryer Troubleshooting Guide



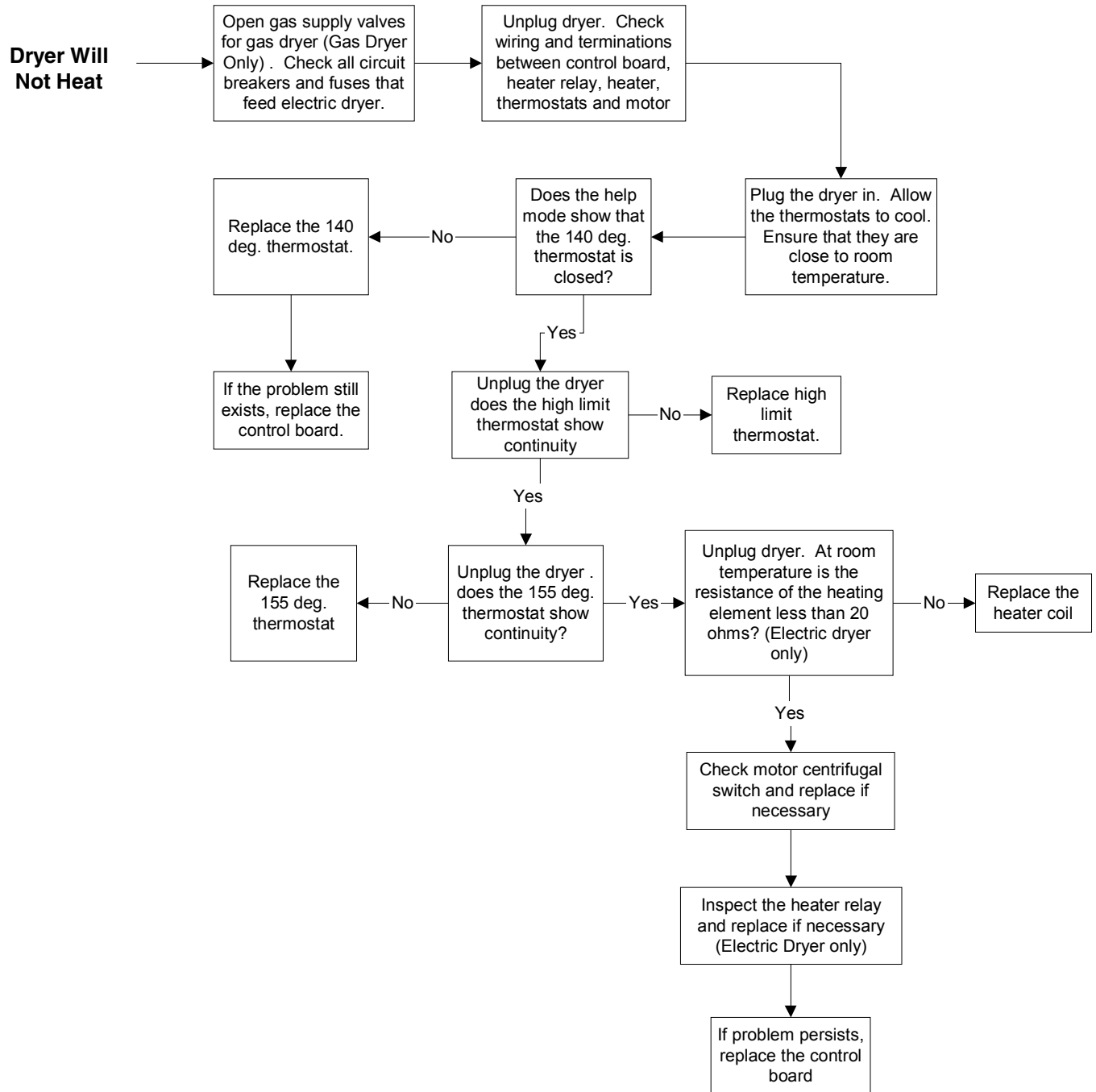
Troubleshooting Procedures



WARNING

To avoid risk of electrical shock, personal injury or death, disconnect power to unit before servicing, unless testing requires power.

Single Dryer Troubleshooting Guide



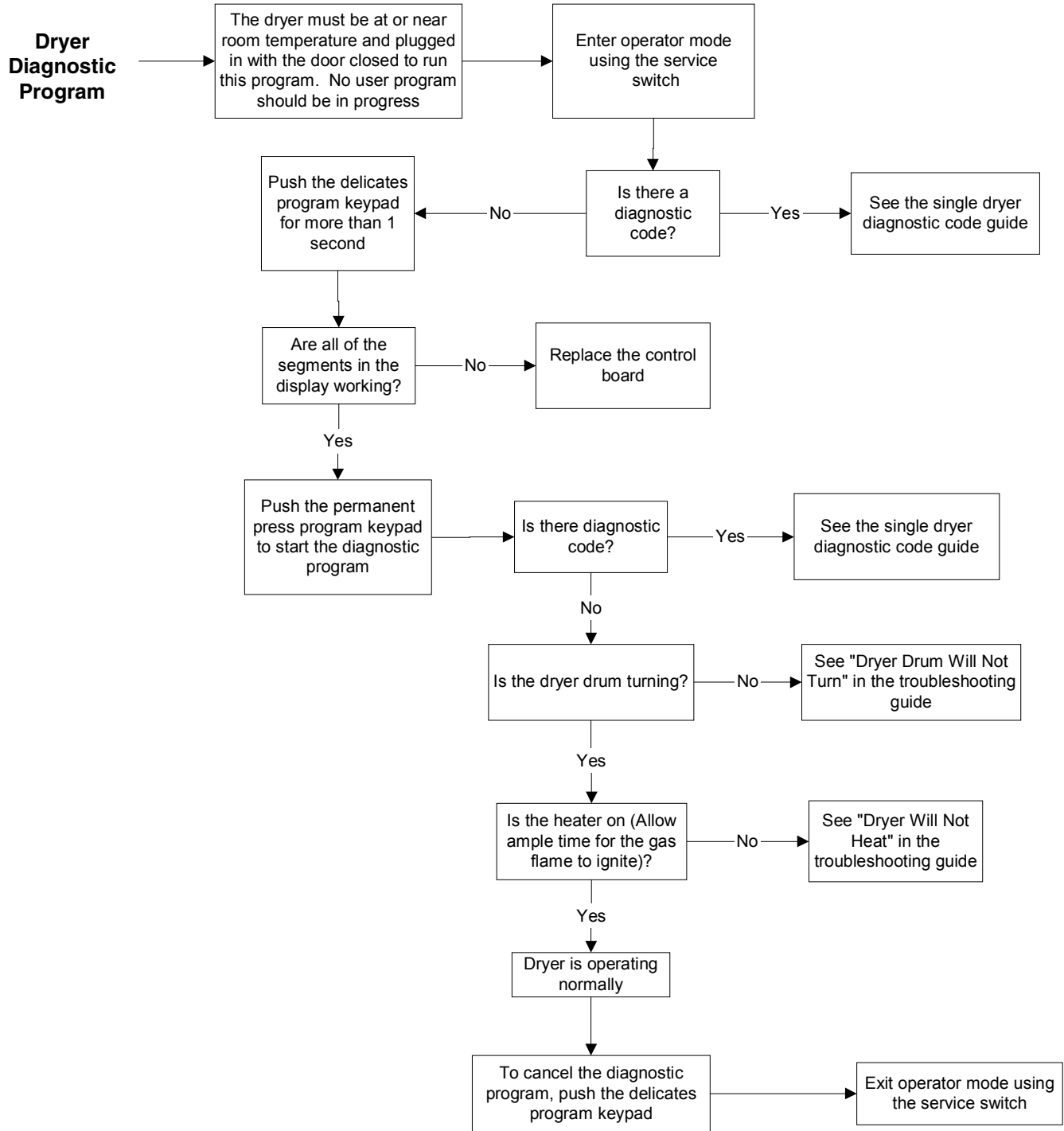
Troubleshooting Procedures



WARNING

To avoid risk of electrical shock, personal injury or death, disconnect power to unit before servicing, unless testing requires power.

Single Dryer Diagnostic Program



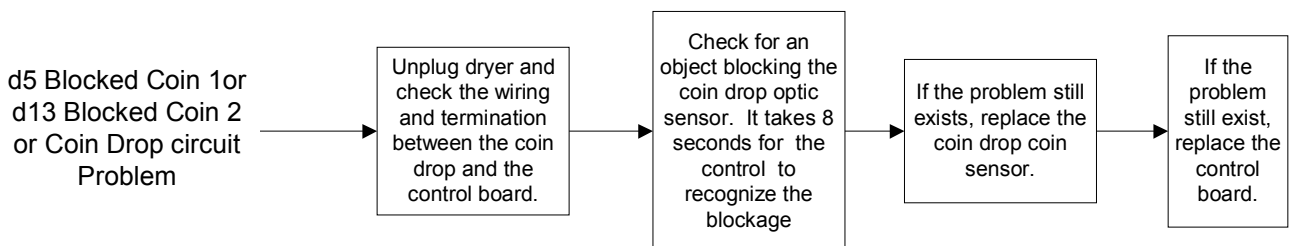
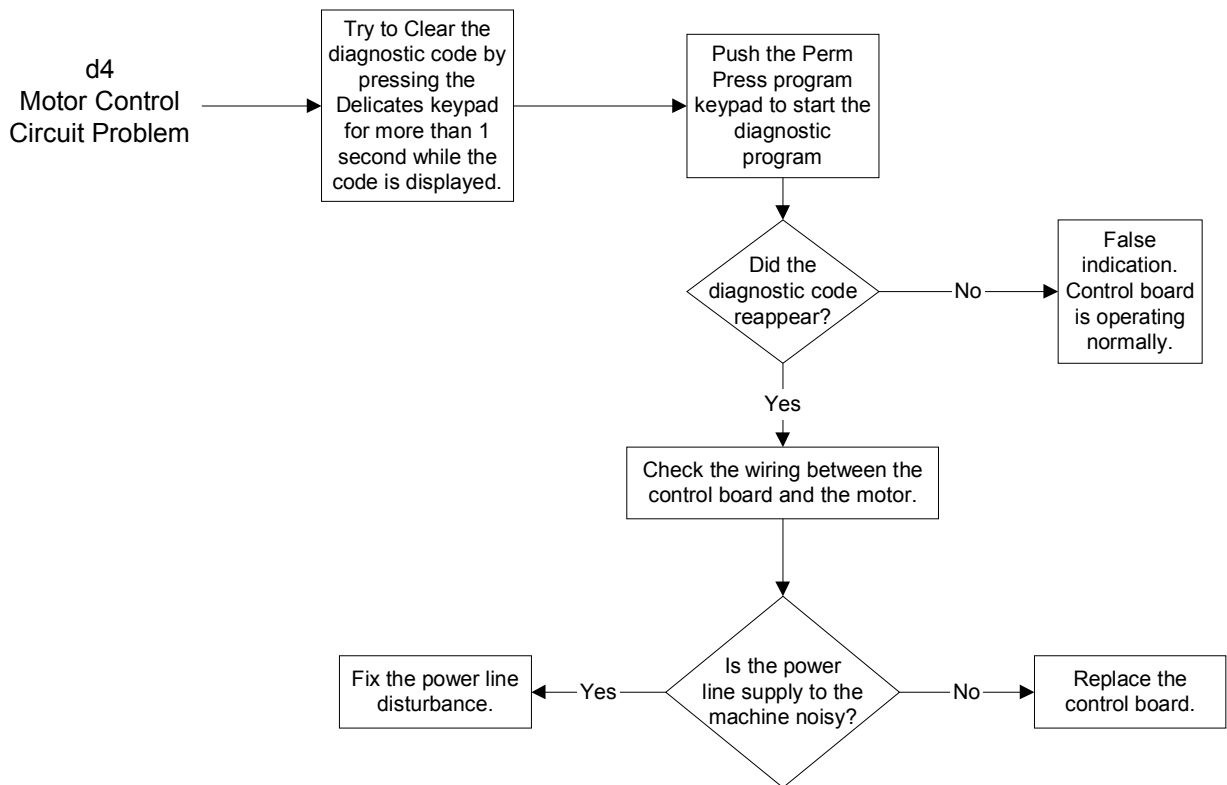
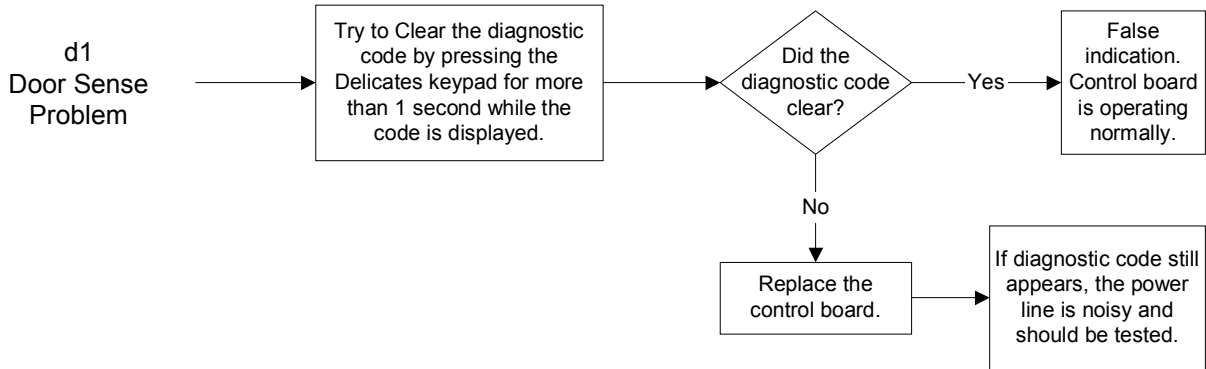
Troubleshooting Procedures



WARNING

To avoid risk of electrical shock, personal injury or death, disconnect power to unit before servicing, unless testing requires power.

Single Dryer Diagnostic Code



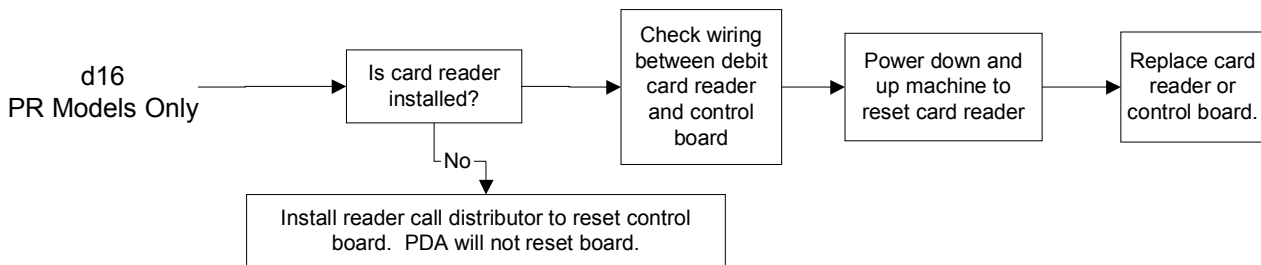
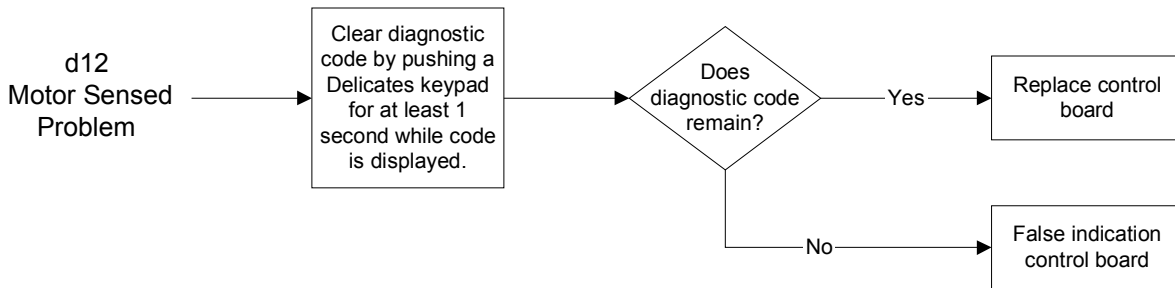
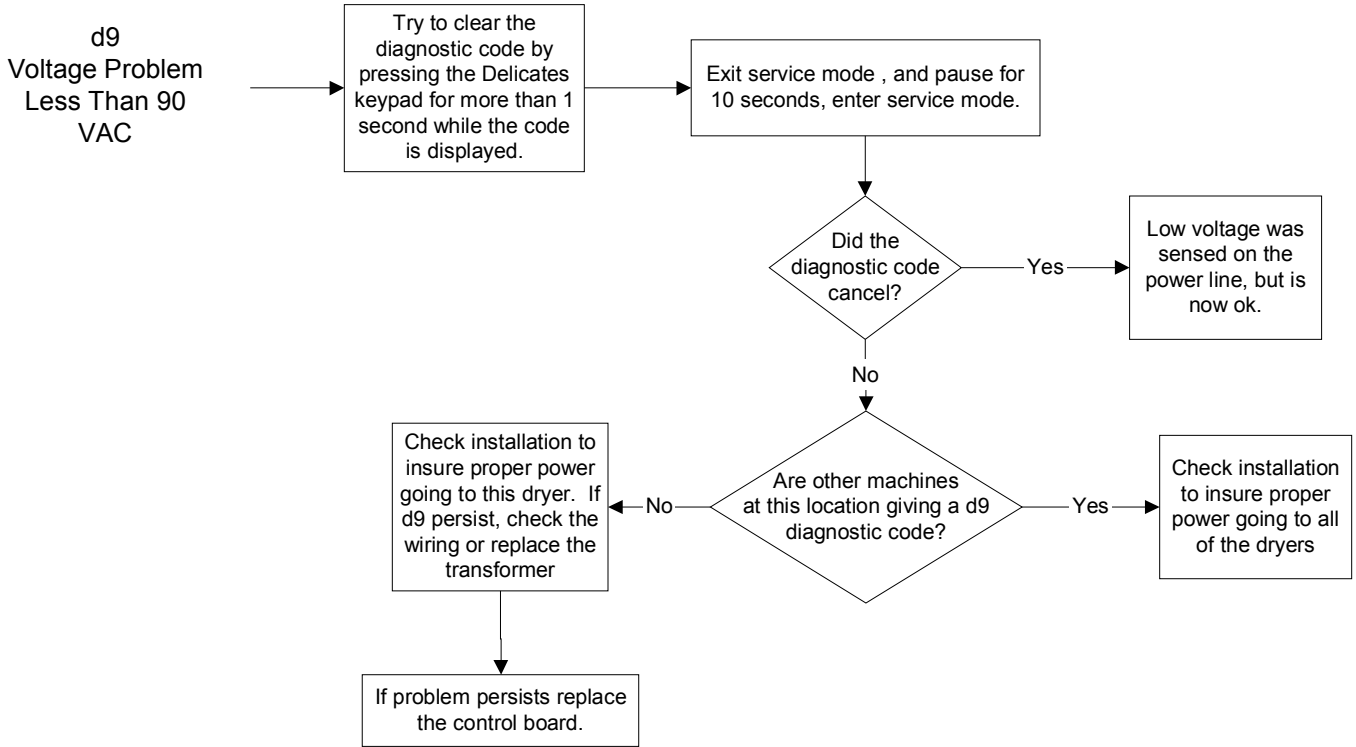
Troubleshooting Procedures



WARNING

To avoid risk of electrical shock, personal injury or death, disconnect power to unit before servicing, unless testing requires power.

Single Dryer Diagnostic Code



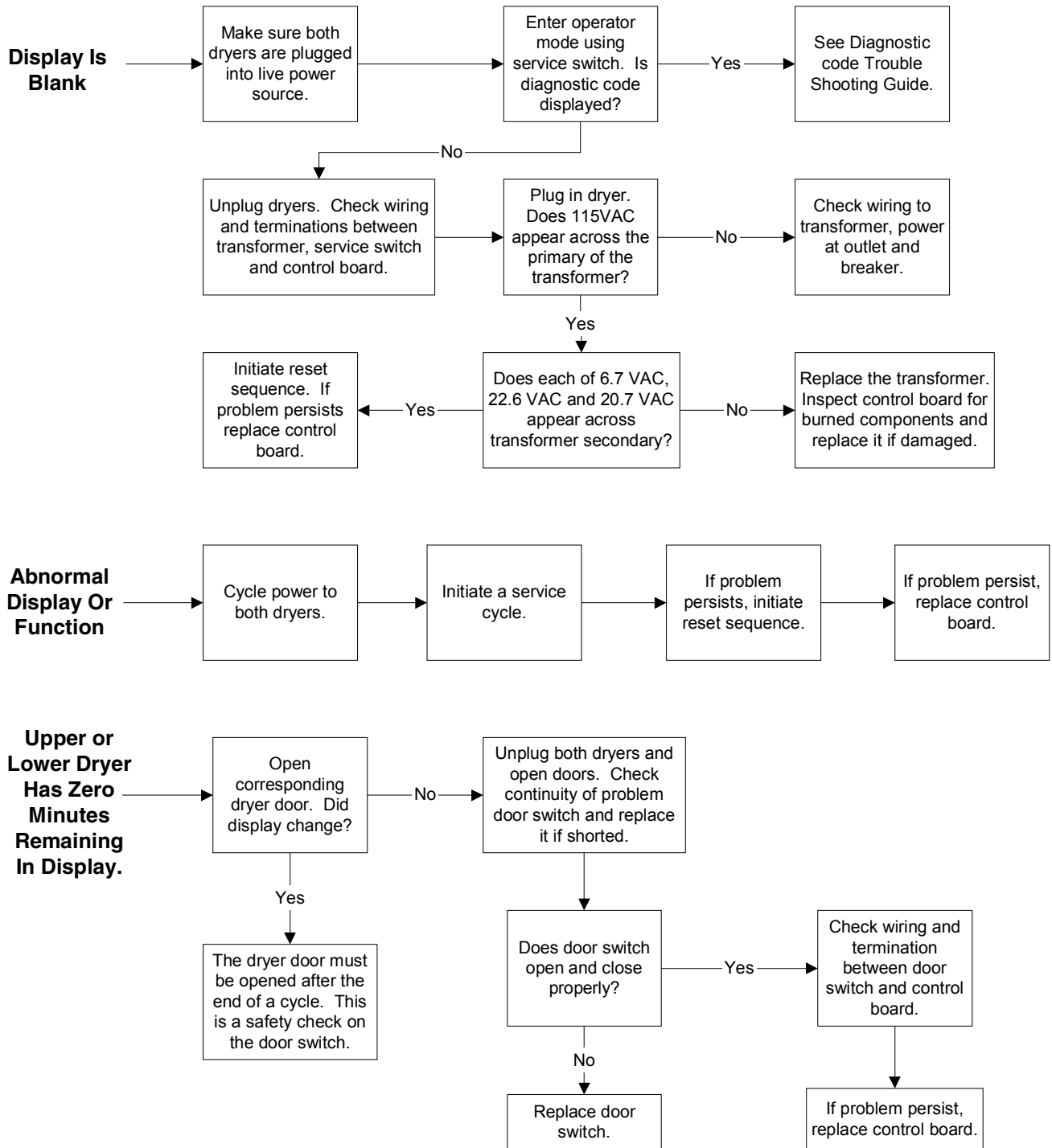
Troubleshooting Procedures



WARNING

To avoid risk of electrical shock, personal injury or death, disconnect power to unit before servicing, unless testing requires power.

Stack Dryer Troubleshooting Guide



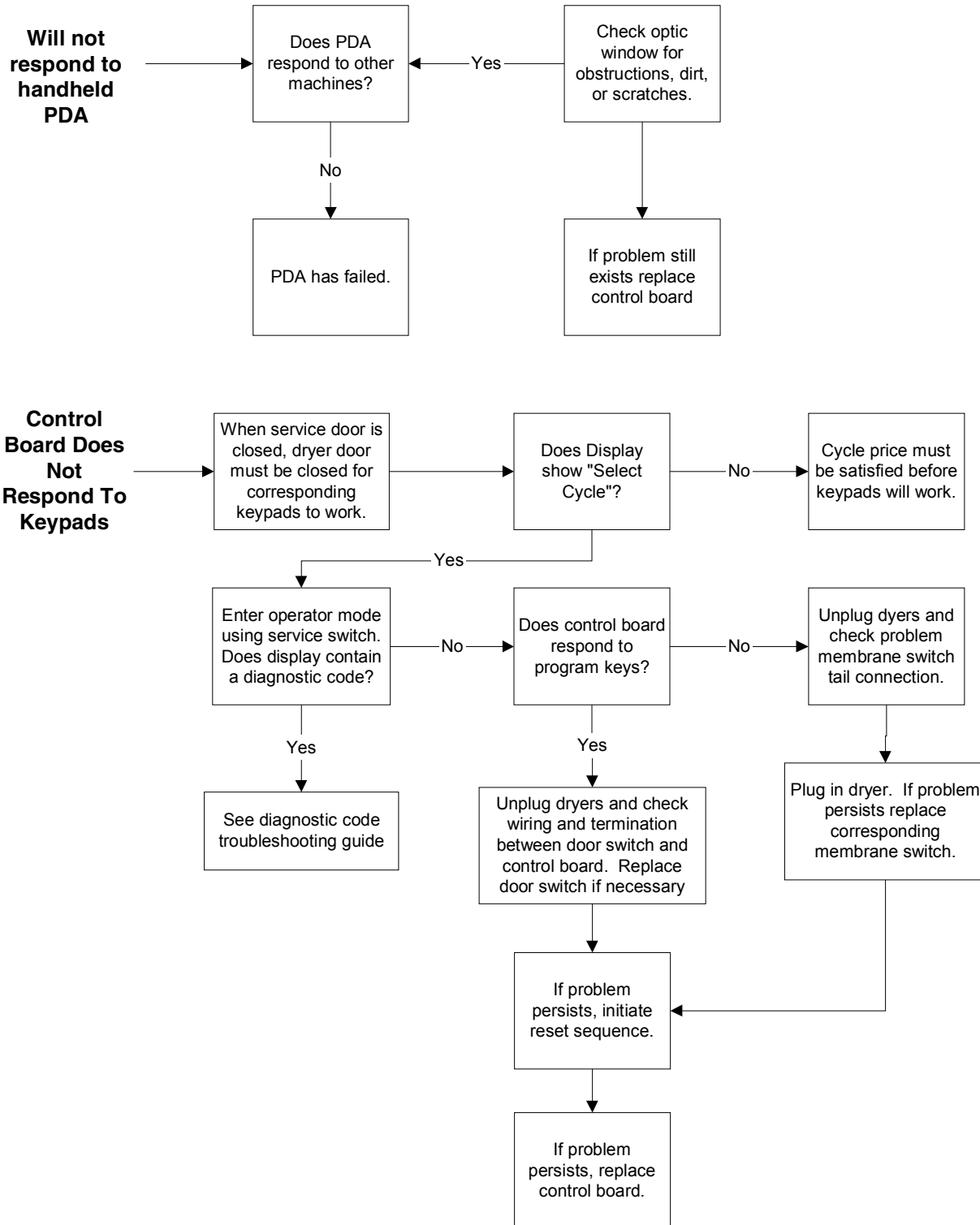
Troubleshooting Procedures



WARNING

To avoid risk of electrical shock, personal injury or death, disconnect power to unit before servicing, unless testing requires power.

Stack Dryer Troubleshooting Guide



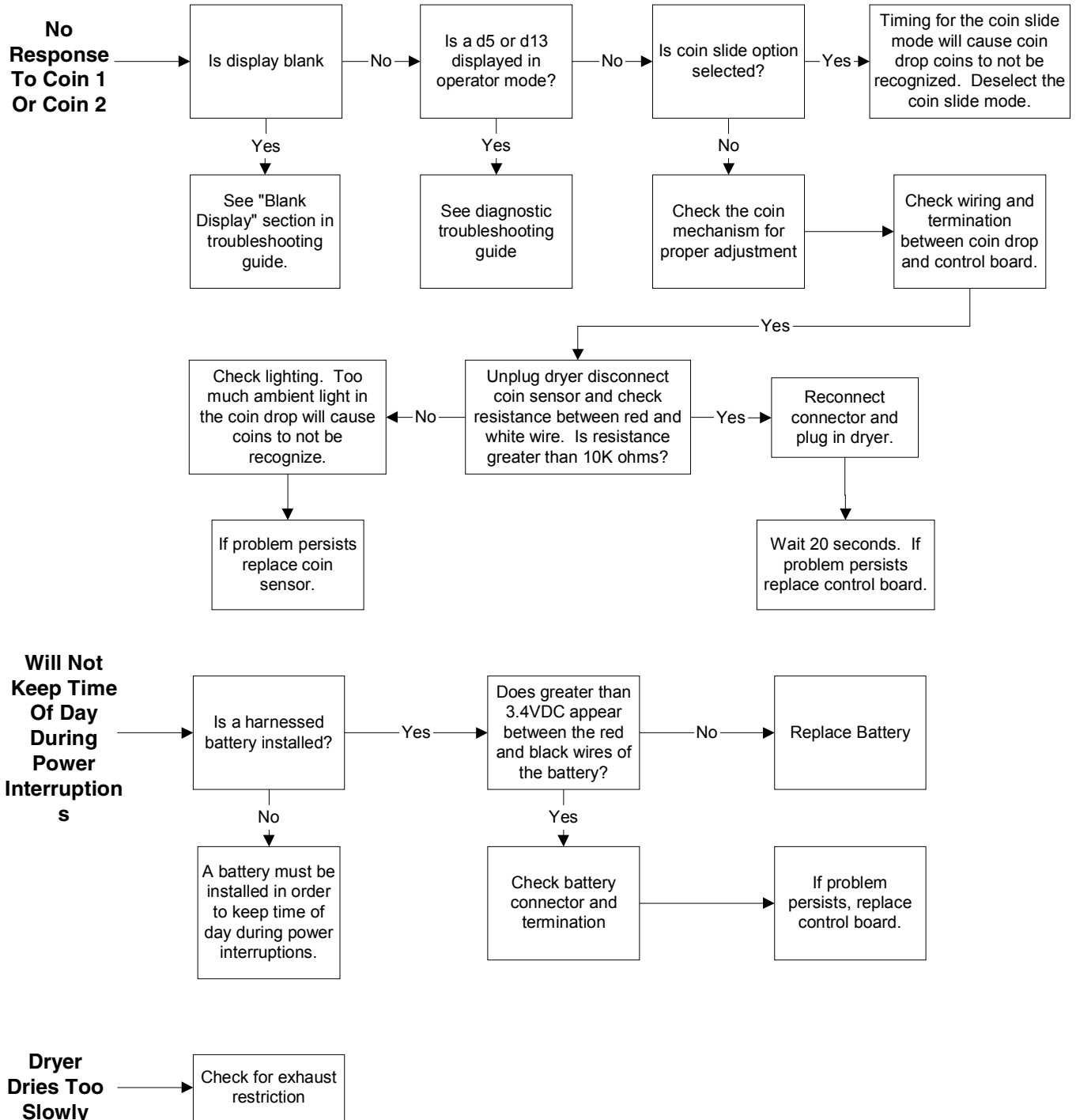
Troubleshooting Procedures



WARNING

To avoid risk of electrical shock, personal injury or death, disconnect power to unit before servicing, unless testing requires power.

Stack Dryer Troubleshooting Guide



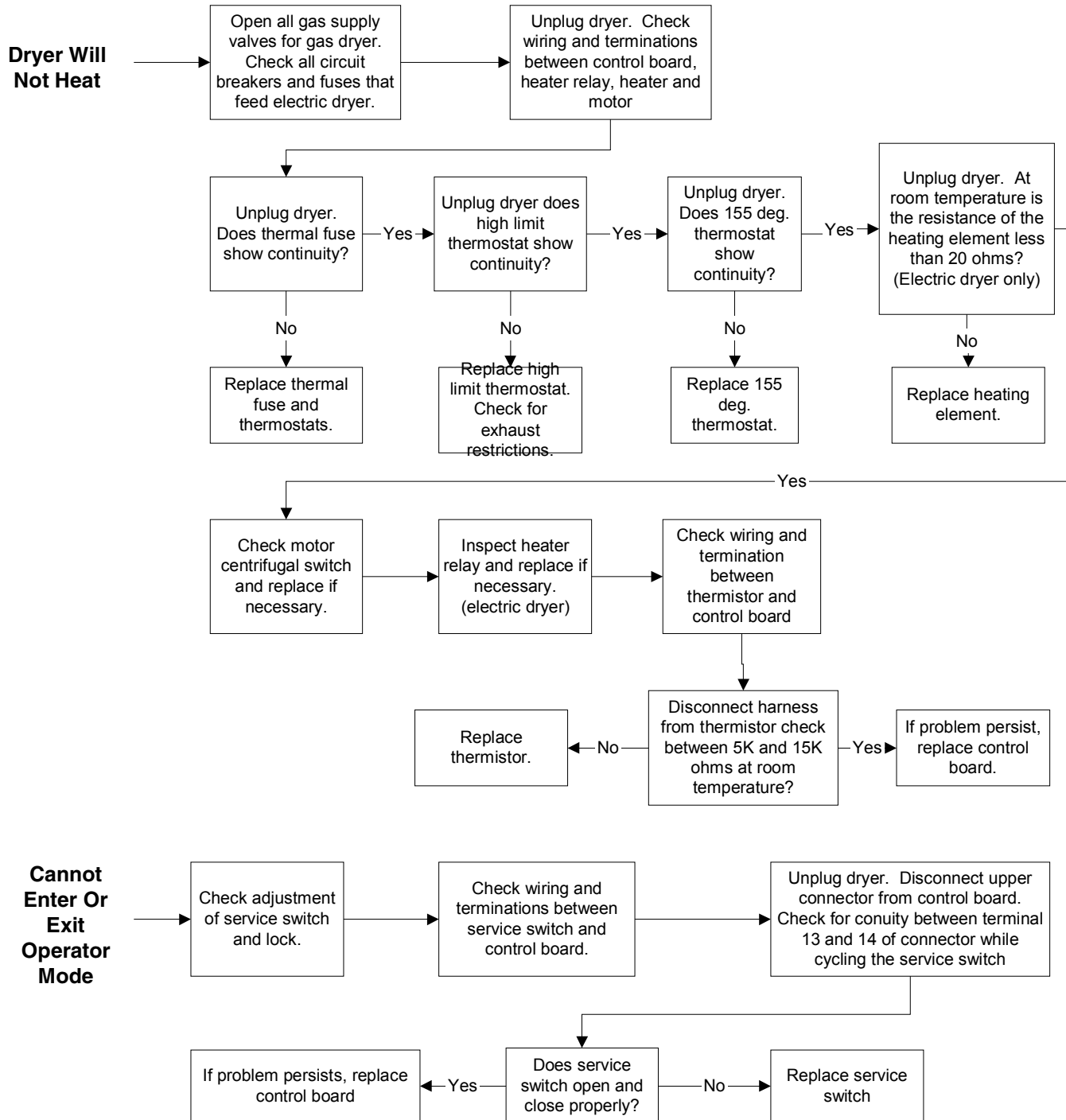
Troubleshooting Procedures



WARNING

To avoid risk of electrical shock, personal injury or death, disconnect power to unit before servicing, unless testing requires power.

Stack Dryer Troubleshooting Guide



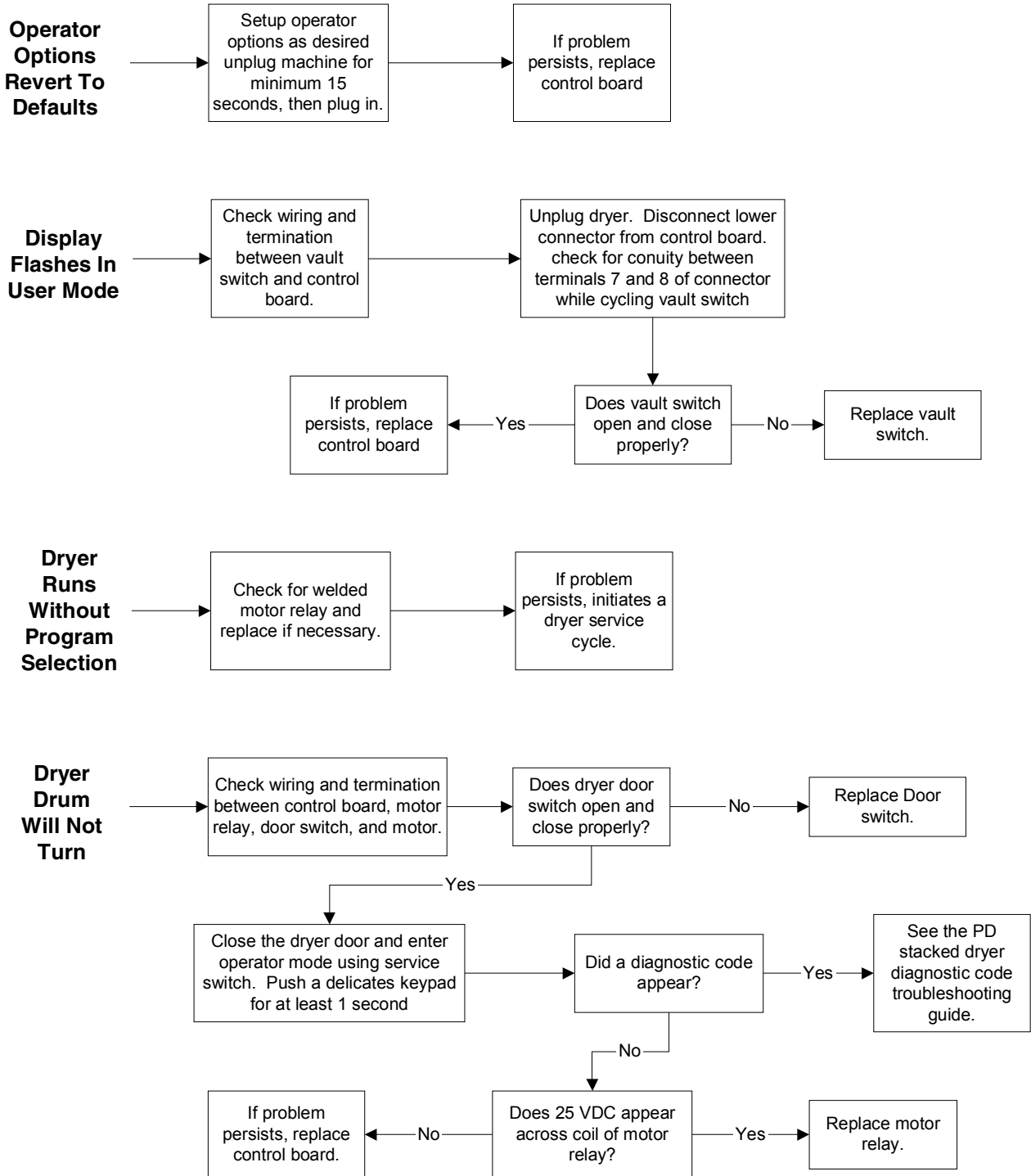
Troubleshooting Procedures



WARNING

To avoid risk of electrical shock, personal injury or death, disconnect power to unit before servicing, unless testing requires power.

Stack Dryer Troubleshooting Guide



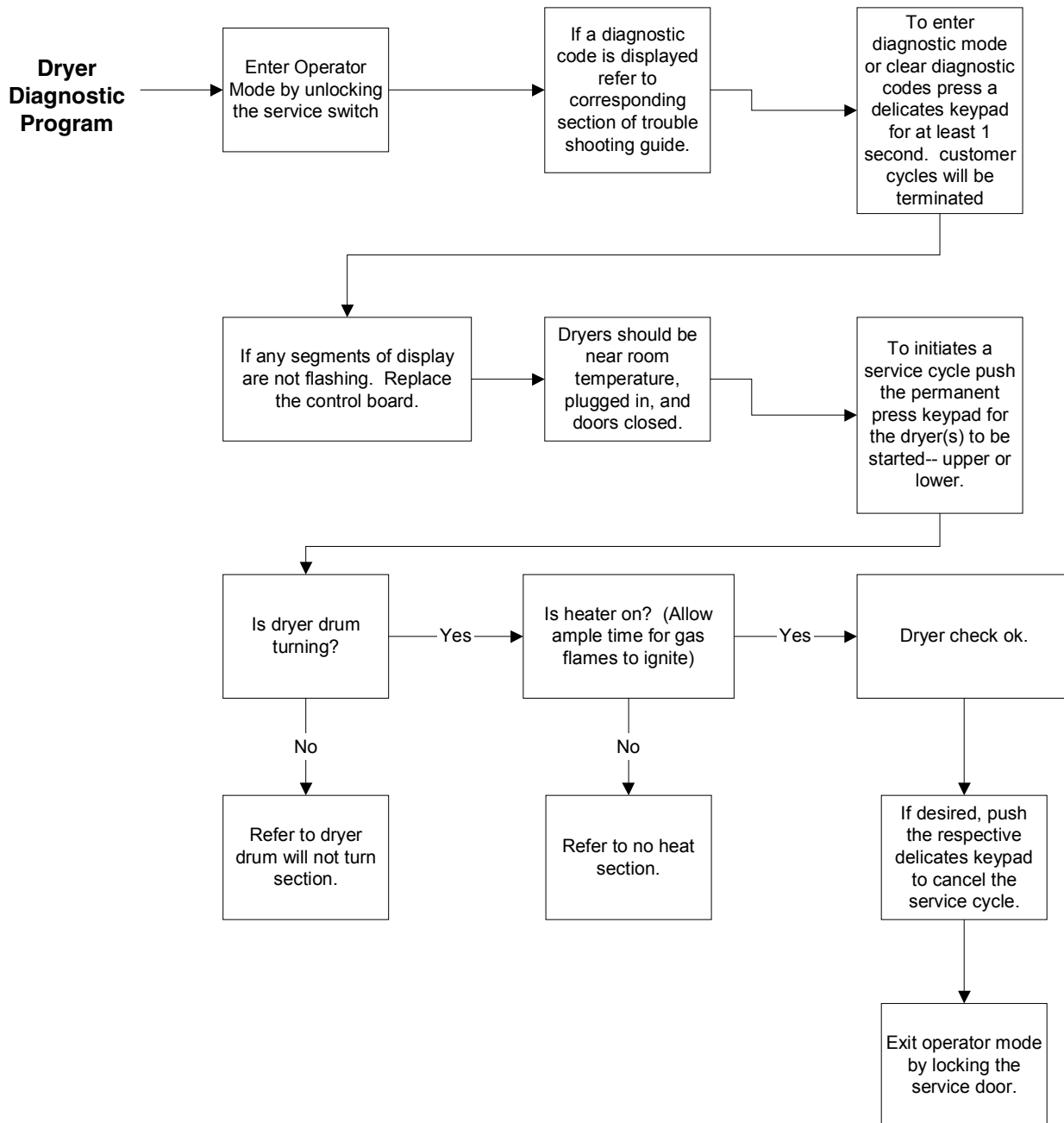
Troubleshooting Procedures



WARNING

To avoid risk of electrical shock, personal injury or death, disconnect power to unit before servicing, unless testing requires power.

Stack Dryer Diagnostic Program



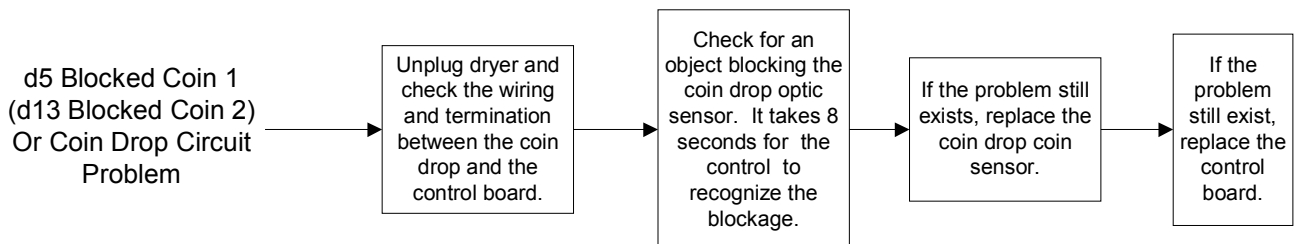
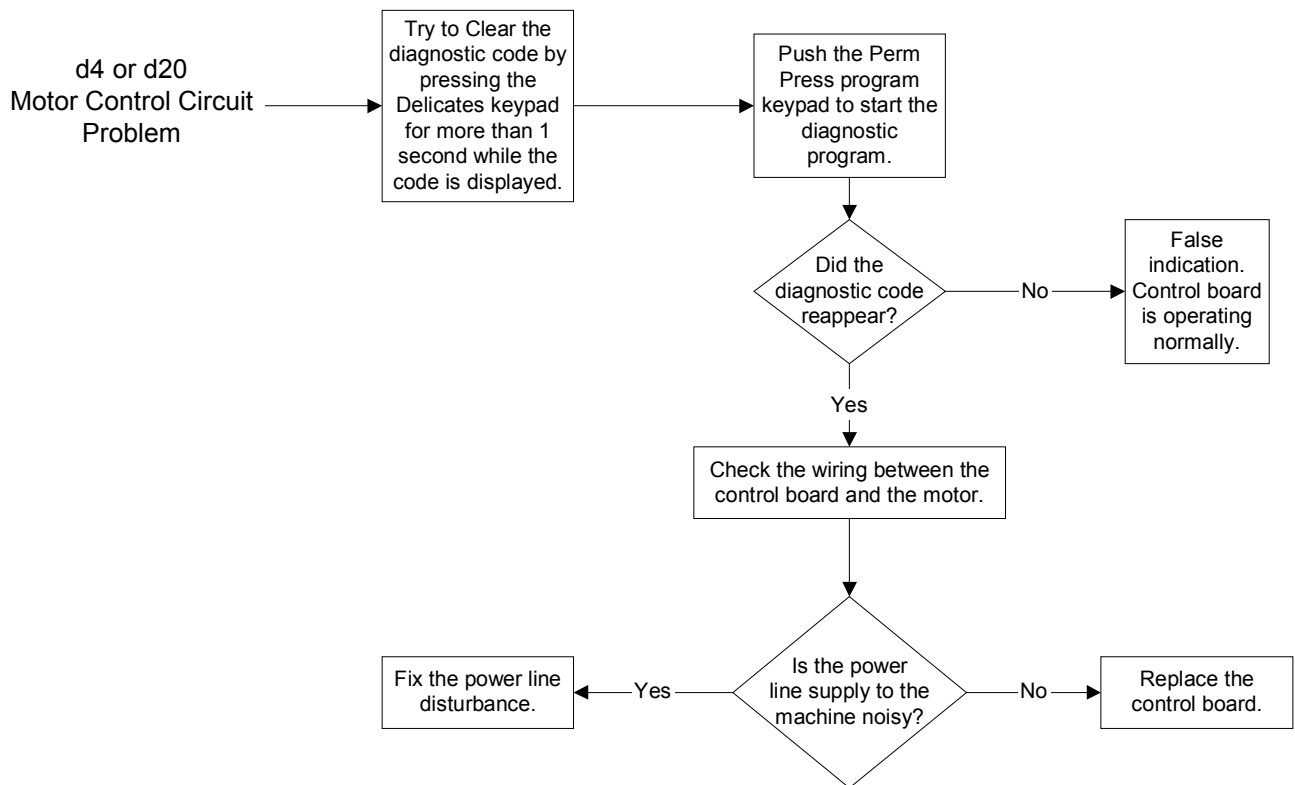
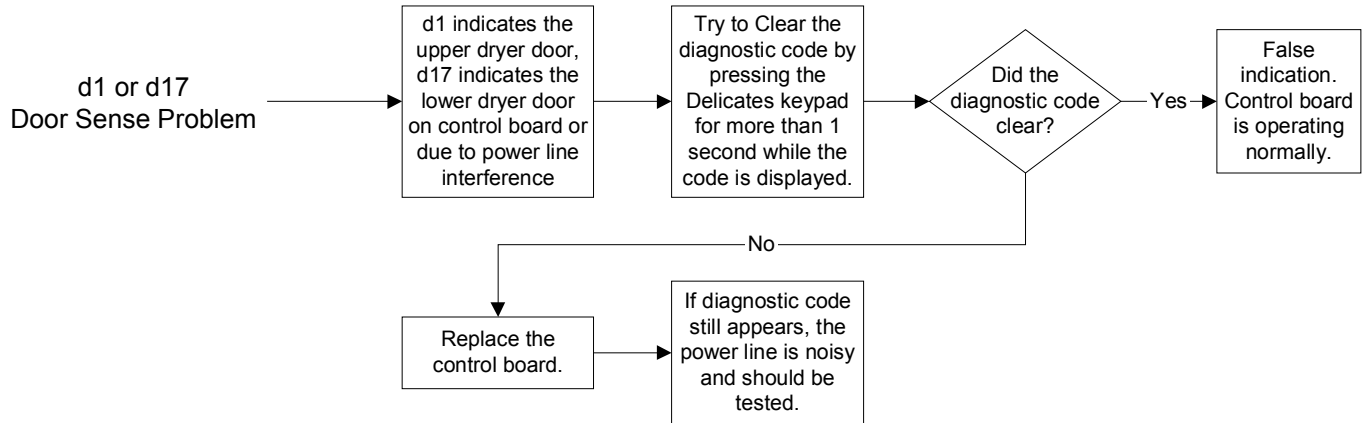
Troubleshooting Procedures



WARNING

To avoid risk of electrical shock, personal injury or death, disconnect power to unit before servicing, unless testing requires power.

Stack Dryer Diagnostic Code



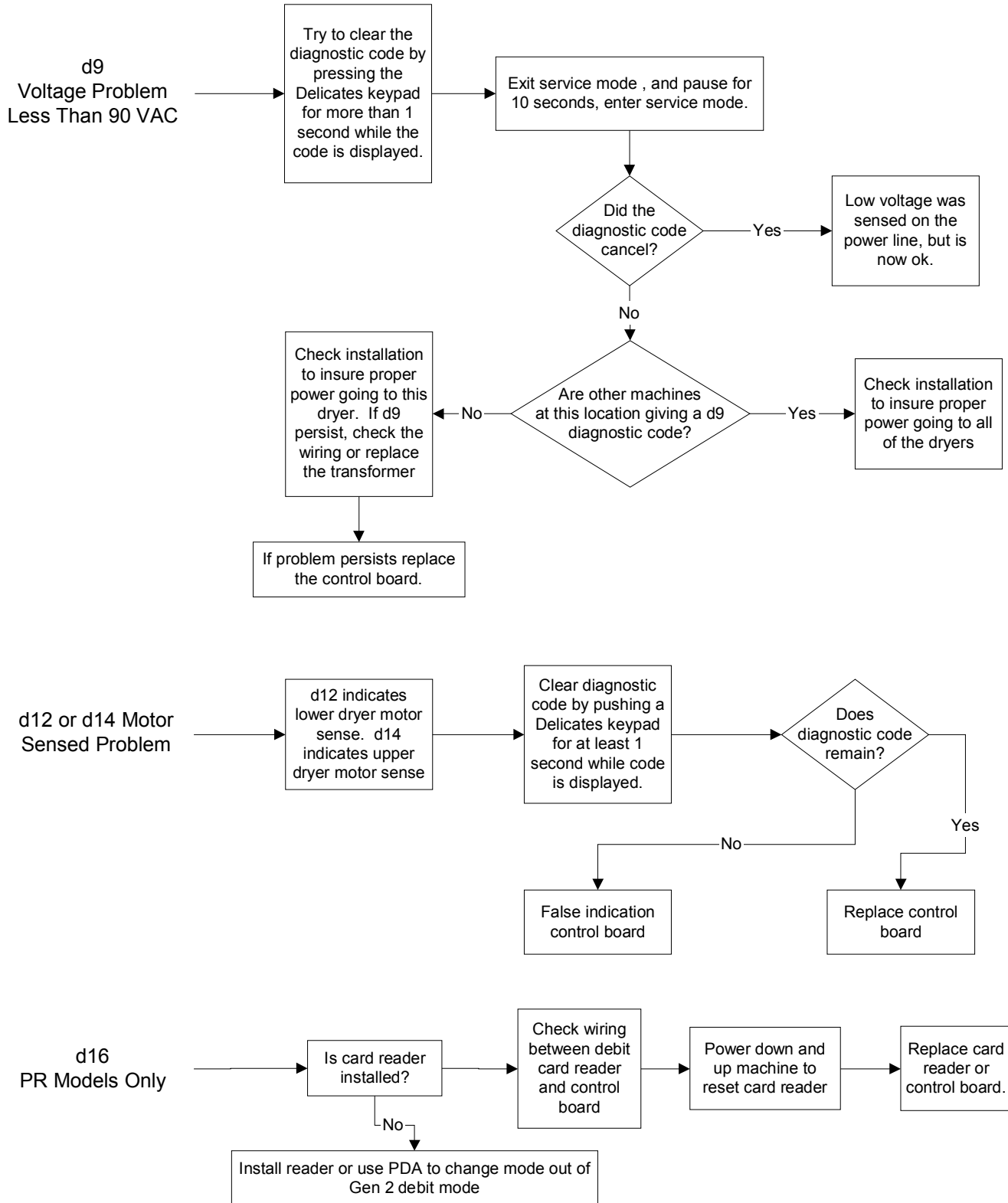
Troubleshooting Procedures



WARNING

To avoid risk of electrical shock, personal injury or death, disconnect power to unit before servicing, unless testing requires power.

Stack Dryer Diagnostic Code



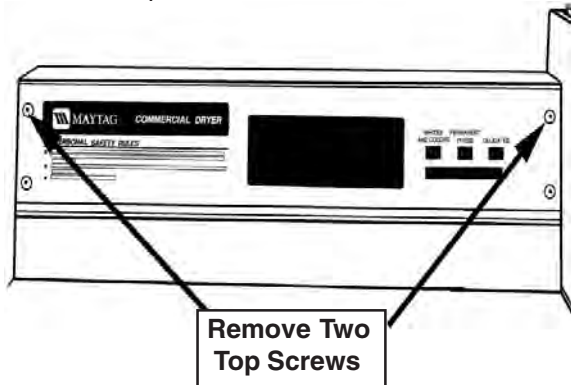
Disassembly Procedures



To avoid risk of electrical shock, personal injury or death; disconnect power to unit before servicing.

Control Panel

1. Disconnect power supply to unit.
2. Remove top two screws.

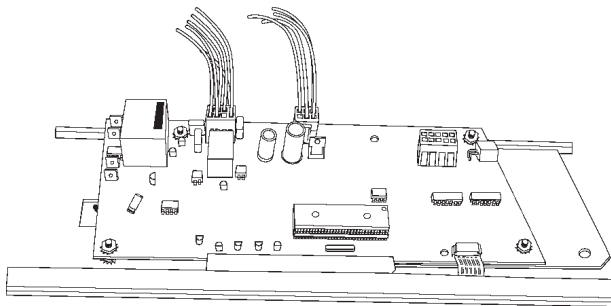


3. Carefully lay control Panel forward.

Microprocessor Board

1. Disconnect power supply to unit.
2. Remove Control Panel.
3. Disconnect wiring harness connectors.

Note: Observe the positions of the harness connectors plugged into the control board.



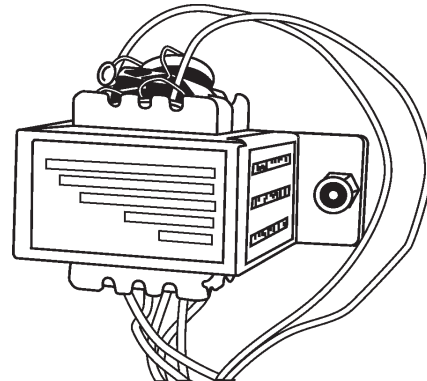
4. Remove four nuts holding the Microprocessor Board to the standoff studs.
5. Disconnect Ribbon connector to Touch Pad.

Touch Pad Assembly

1. Disconnect power supply to unit.
2. Remove the screws securing the Facia.
3. Remove Microprocessor Board.
4. Disconnect ribbon connector.
5. Remove screws securing Touch Pad Assembly to Control Panel.

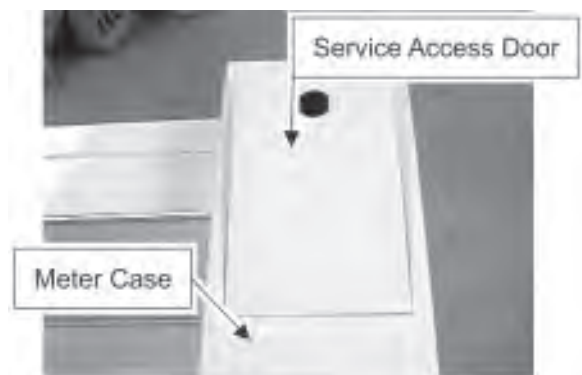
Transformer

1. Disconnect power to supply to unit.
2. Remove Control Panel.
3. Disconnect wiring harness connection.
4. Remove screws securing Transformer in place.



Meter Case

1. Disconnect power supply to unit.
2. Remove Service Access Door and Coin box.



3. Remove two 9/16" hex nuts securing Meter Case.
4. Remove Control Panel.
5. Remove 1/4" hex head screws hold Meter Case to the Console.
6. Disconnect wires for Service & Vault Switch and connector for the Coin Drop Sensor
7. Lift Meter Case off the Top Cover.

Disassembly Procedures



WARNING

To avoid risk of electrical shock, personal injury or death; disconnect power to unit before servicing.

Service Door Switch

1. Disconnect power supply to unit.
2. Remove service access door
3. Remove the screw securing the switch mounting bracket and lift the switch from inside the meter case.



4. Disconnect wires from the switch, and squeeze tabs on switch to remove from bracket.

Coin Vault Switch

1. Disconnect power supply to unit.
2. Remove service access door and coin box.
3. Disconnect wires from the switch.
4. Squeeze the two tabs on the switch and push the switch through towards the front.

Coin Drop Acceptor

1. Disconnect power supply to unit.

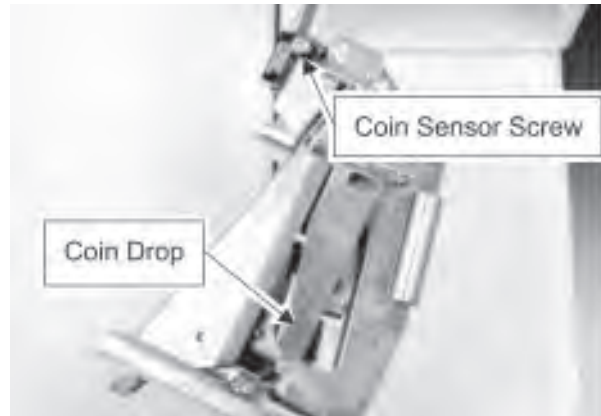


2. Unlock service access door.
3. Loosen the two locking bolts from inside the meter case.
4. Remove Control Panel.

5. Disconnect wiring harness for Coin Sensor
6. Remove Coin Drop Acceptor

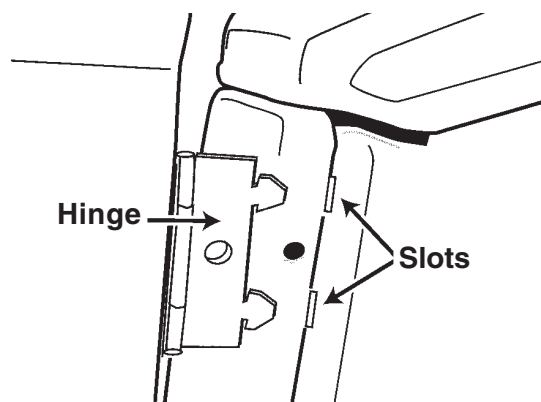
Coin Sensor

1. Disconnect power supply to unit.
2. Remove Coin Acceptor.
3. Remove screw securing Coin Sensor to the rear of the Coin Drop Acceptor.



Door Assembly

1. Disconnect power supply to unit.
2. Open the door and remove the center screw of each hinge secured to the inner flange of the front panel in the door opening.



3. Grasp the door with both hands and lift the door in the hinge area and draw the door assembly away from the machine. This will disengage the hinges from the slots in the front shroud.

Disassembly Procedures



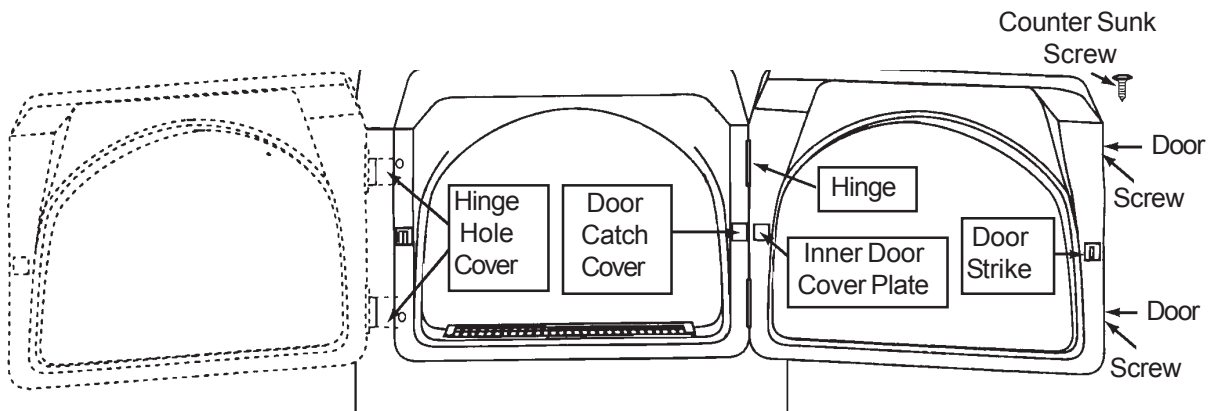
WARNING

To avoid risk of electrical shock, personal injury or death; disconnect power to unit before servicing.

Reversing Door Assembly

Note: NOT ALL DOORS ARE REVERSIBLE

1. Disconnect power supply to unit.
2. Remove Door Assembly.
3. Remove the plastic hinge hole covers on the opposite side of the door opening.
4. Remove the hinges from the door itself and relocate them to the other side of the door
5. Remount the door into the slots on the opposite side of the door opening in the front shroud and secure with one screw into each hinge.
6. Mount the plastic hinge hole covers onto the side the hinges were previously on, to cover the slots in the front shroud.



Door Disassembly

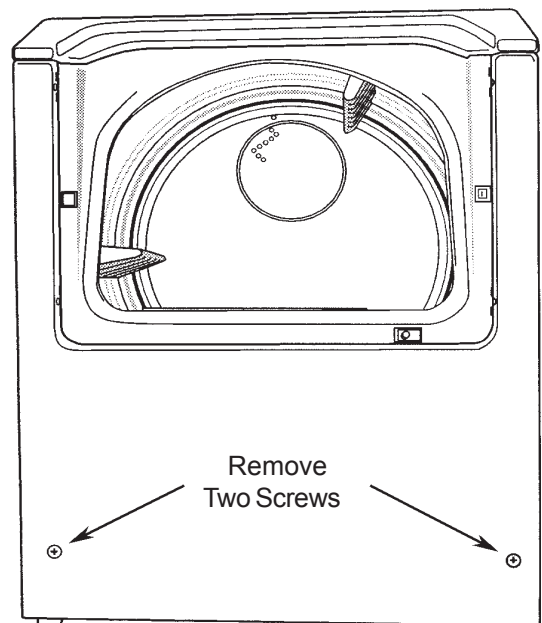
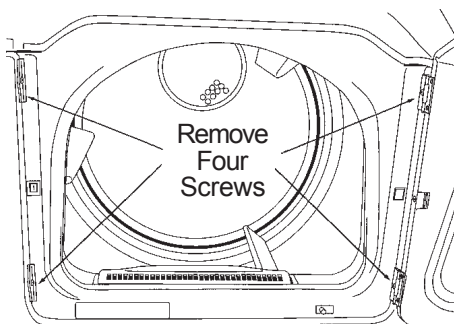
1. Disconnect power supply to unit.
2. Remove ten screws located across the bottom and along either side of the door panel. The top edge of the outer panel is folded over the inner door plug.

Front Panel

1. Disconnect power supply to unit.
2. Open the door and remove the four screws along the inside lip of the door opening.

Note: Two are located vertically on either side of the door opening. These screws secure the front panel to the front shroud assembly

3. Remove the two lower screws (T25H Torx) securing the front panel to the lower side flanges of the cabinet assembly (If present).



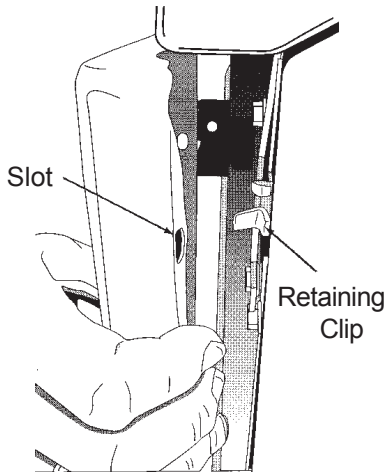
Disassembly Procedures



To avoid risk of electrical shock, personal injury or death; disconnect power to unit before servicing.

4. Grasp the verticle sides of the front panel 3/4 of the way down and pull front panel away from the dryer

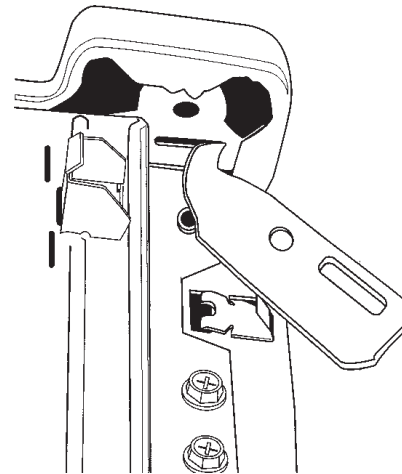
Note: The front panel is held to the cabinet by means of clips secured to the front shroud. Small slots in the front panel engage the clips and hold the front panel in place.



3. Locate and remove two 5/16" hex head screws securing the two hold down brackets for the top cover
4. To remove the hold down brackets, swing the bracket to the outside and unhook the bracket from the slot in the top cover lip.

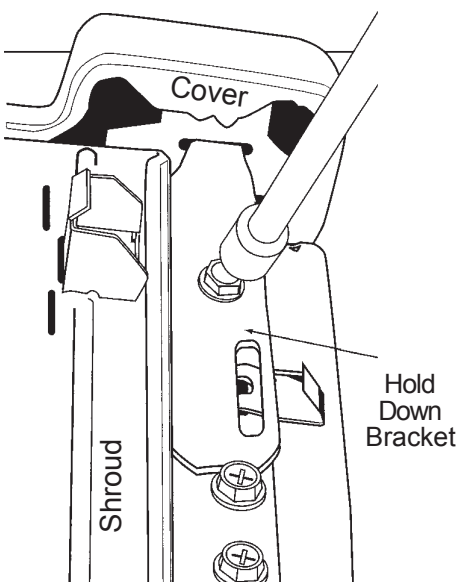
Note: If the door is still positioned on the front shroud, open the door prior to lifting the front of the top cover and tilt the top cover toward the rear of the machine.

5. Tilt the top of the front panel away from the machine and lift the panel off two clips retaining the front panel to the base frame.
6. Disconnect wires to Door Switch.



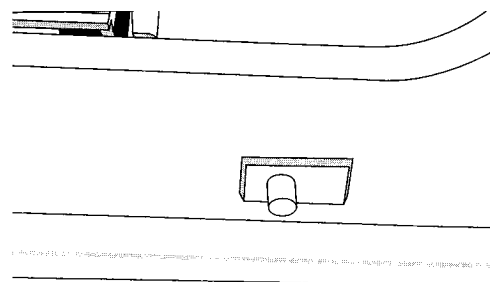
Top Cover

1. Disconnect power supply to unit.
2. Remove the front panel



Door Switch

1. Disconnect power supply to unit.
2. Remove Front Panel.
3. Remove wires from switch.
4. Squeeze tabs on switch together and remove switch.



Disassembly Procedures

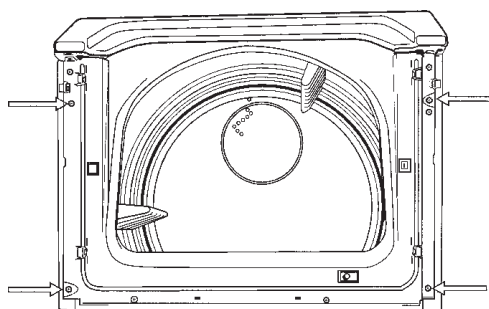


To avoid risk of electrical shock, personal injury or death; disconnect power to unit before servicing.

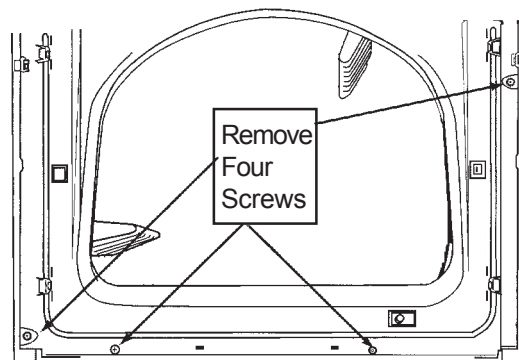
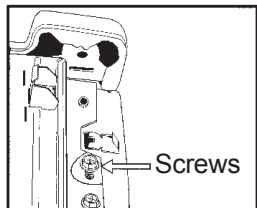
Front Shroud Assembly Removal

1. Disconnect power supply to unit.
2. Remove Front Panel and Door Assembly.
3. Remove hold down brackets securing Top Cover to the Cabinet.
4. Remove four outer perimeter screws holding Shroud Assembly to cabinet.

NOTE: Remove the lowest outside screws on each corner and then the top outside screws. Leave the four inner screws in place.

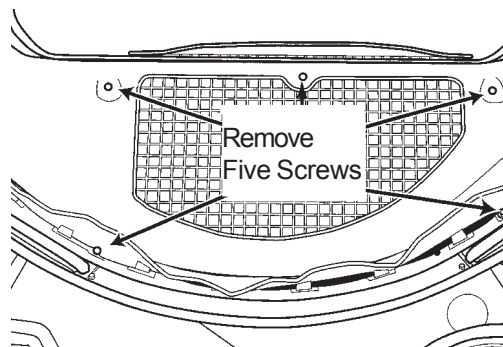


Remove these four screws.



4. Remove the four 1/4" hex head screws and the one cross recess countersunk screw securing the outlet duct to the tumbler front.

Note: Two of the hex head screws are hidden under the felt seal. Pull the outlet duct free from the tumbler front.



5. Pull Front shroud Assembly out and away from tumbler.

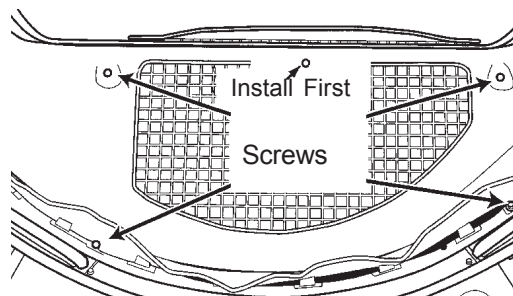
Note: Partially lift the Top Cover.

Note: When reinstalling the Front Shroud Assembly, lift the front inner edge of the tumbler to allow the front of the tumbler to rest on the teflon (Rulon™) bearings on the shroud and tumbler front assembly. Also, check the front felt seal to ensure it is outside the lip of the tumbler

4. When reattaching the outlet duct assembly to the tumbler front, install the center screw (found above the grid area) first, followed by the four outside screws in any order.

Outlet Duct, Shroud & Tumbler Front

1. Disconnect power supply to unit.
2. Remove the shroud and tumbler front assembly from the dryer.
3. Remove the two screws securing the shroud to the tumbler front and the two screws securing the shroud to the outlet duct. Pull the shroud free from the assembly.



Disassembly Procedures

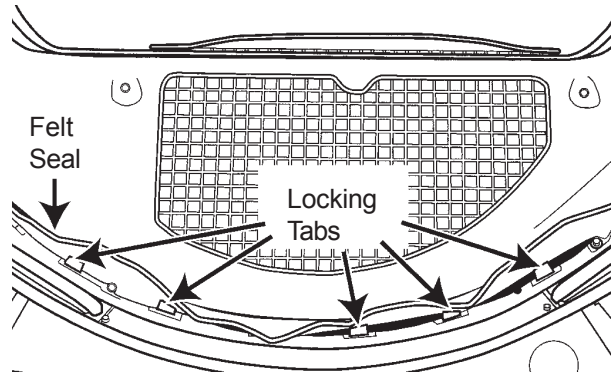
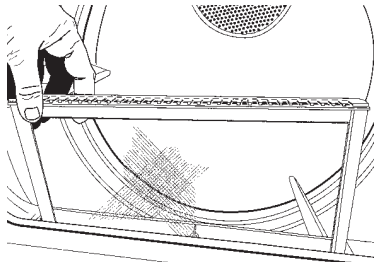


WARNING

To avoid risk of electrical shock, personal injury or death; disconnect power to unit before servicing.

Lint Filter

Note: Lint Filter is one piece and can be removed for cleaning.

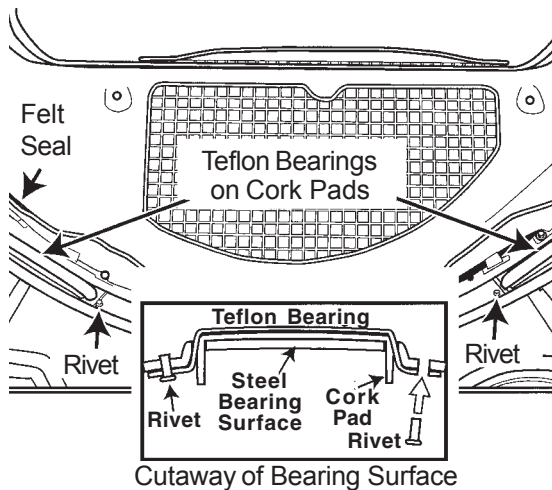


Note: When reinstalling, the seal will be mounted to the tumbler front in a counterclockwise rotation. Start at the 3:00 position and place under the locking tabs. The seal will overlap 1 1/4". The coated side (which is the lighter of the two colors) goes against the tumbler. The felt seal is then looped in a "U-shape" so that the lighter-colored side is against the tumbler front as it is slid in place under the tabs. Bend tabs back over the felt seal with a flat blade screwdriver

Bearing & Pads

1. Disconnect power supply to unit.
2. Remove Front Shroud Assembly.
3. Drill out the old rivets and rivet new bearings in place.

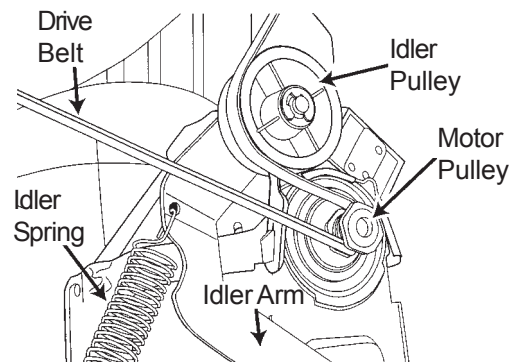
Note: In positioning the bearing and cork pad, the face of the bearing should ride against the tumbler



Belt

1. Disconnect power supply to unit.
2. Remove Shroud Assembly.
3. Insert left hand along side of tumbler at the 8 o'clock position. Insert right arm under tumbler (as close to blower as possible).

View From the Back of the Dryer



Front Seal

1. Disconnect power supply to unit.
2. Remove Front Shroud Assembly.
3. Remove old felt seal by prying the locking tabs up with a flat-blade screwdriver.

Note: Pay close attention to the location of the seal overlap. This will be important as you reinstall the new seal.

Disassembly Procedures

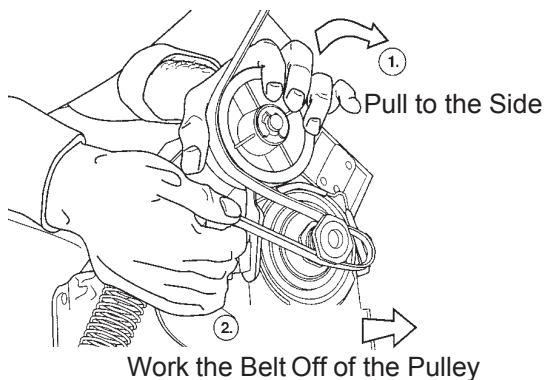
WARNING

To avoid risk of electrical shock, personal injury or death; disconnect power to unit before servicing.

- Grasp the idler pulley in left hand, pull idler upward and to the left.

Note: There is a built-in stop to prevent overstressing of the idler arm spring. Slip belt off the motor pulley.

- Slip the belt off the back of the tumbler.

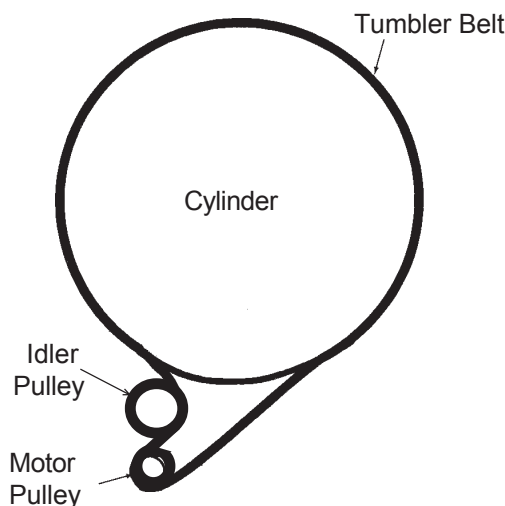


- Locate the belt and create a small loop with your right hand, ensuring the belt is free of twist.
- Position the open end of the loop (ribbed side down) onto the motor pulley with your right hand.
- To clear the drive belt, grasp the idler pulley in left hand, pull idler up and to the left.

NOTE: There is a built-in stop to prevent overstressing of the idler arm spring.

- Relax your left hand and allow the idler pulley to rest down onto the belt.
- Grasp baffles with both hands and rotate tumbler 1 or 2 turns clockwise to allow the belt to align itself.

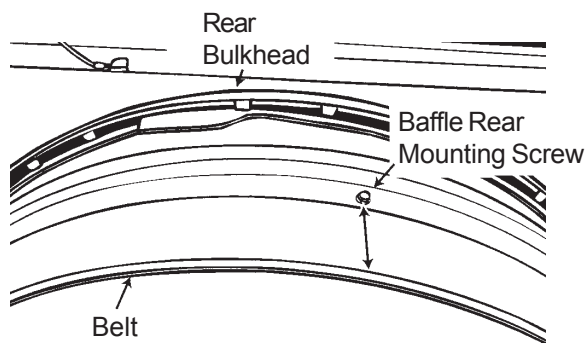
As Viewed From The Front



- While lifting top cover, pull tumbler out of cabinet.

Installing Drive Belt

- Disconnect power supply to unit.
- Place belt onto the outside of the tumbler and position the belt 1 1/2" in front of rear baffle mounting screws with ribbed side against tumbler



- Position tumbler into the rear felt seal, resting the tumbler onto the rear rollers. Lower the front of the tumbler onto the blower housing.
- Insert left hand along side of tumbler at 8 o'clock. Insert right arm under tumbler (as close to blower as possible).

Baffles

- Disconnect power supply to unit.
- Remove Front Panel and Door
- Lift Top Cover.
- Rotate the tumbler until the screws of the baffle to be removed appear at the top of the tumbler
- Remove two screws holding the baffle to the tumbler.

Rear Shroud Assembly

- Disconnect power supply to unit.
- Remove Front Shroud Assembly.
- Remove Tumbler and Belt
- Remove Gas Valve Assembly or Heater Assembly.

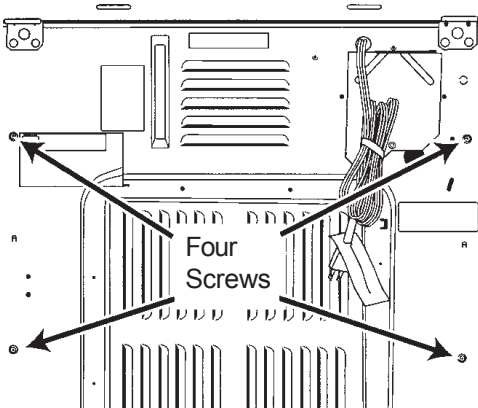
Note: Be careful on gas models, the igniter is fragile.

- Remove heat enclosure.

Disassembly Procedures



To avoid risk of electrical shock, personal injury or death; disconnect power to unit before servicing.



6. From back of dryer, remove four screws holding Tumbler Back Assembly.
7. Remove the assembly.

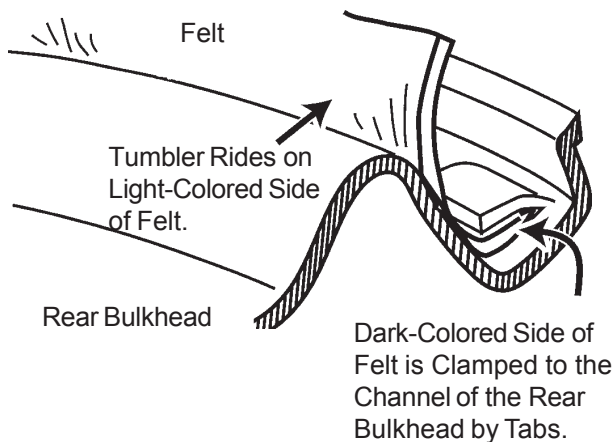
Back Seal

1. Disconnect power supply to unit.
2. Remove Tumbler Back Assembly.

Note: For ease in servicing, we recommend removal of the Tumbler Back Assembly from the dryer. This will ensure the felt seal is secured properly.

3. Remove the old felt seal by prying the locking tabs out with a flat-blade screwdriver

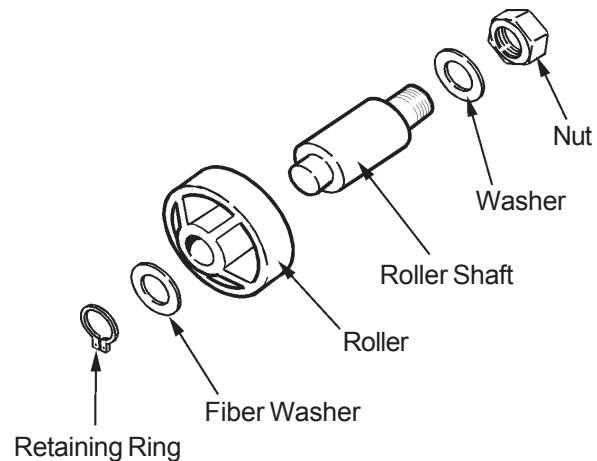
Note: Pay close attention to the location of the seal overlap. This will be important as you install the new seal.



Note: When reinstalling, the seal will be mounted to the tumbler back in a clockwise rotation. Start at the 11:00 position and place under the locking tabs. The seal will overlap 1 1/4". The coated side (which is the lighter of the two colors) goes against the tumbler. The seal is then looped in a "U" shape so the lighter colored side is against the tumbler back as it is slid in place under the tabs. Bend tabs back over seal with a flat-bladed screwdriver.

Roller and Bearing Assembly

1. Disconnect power supply to unit.
2. Remove Front Shroud/Assembly
3. Remove Tumbler and Belt.
4. Remove retaining ring from groove in shaft
5. Remove fiber washer and roller
6. Remove nut securing roller shaft.



Note: There is a spacer behind the roller. When replacing parts, be certain of the order of the replacement.

Disassembly Procedures

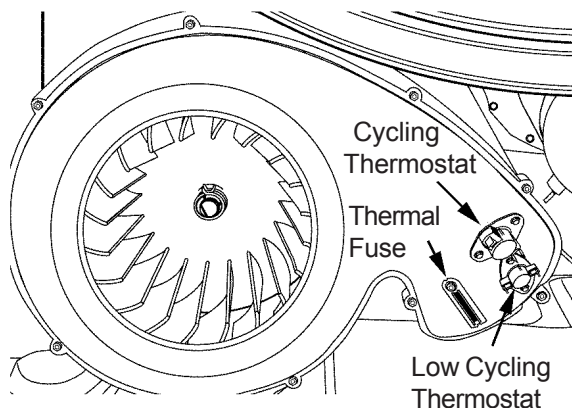


To avoid risk of electrical shock, personal injury or death; disconnect power to unit before servicing.

Thermostats

1. Disconnect power supply to unit.
2. Remove Front Panel.

Note: Thermostats are located on Blower Cover Hi-Limit Thermostat and is located on heating source for gas and electric models.



Cycling Thermostat

1. Disconnect power supply to unit.
2. Remove Front Panel.
3. Disconnect wires to Cycling Thermostat.
4. Remove two screws securing thermostat to blower cover.

Low-cycling Thermostat

1. Disconnect power supply to unit.
2. Remove Front Panel.
3. Disconnect wires to Low-Cycling Thermostat.
4. Remove Two screws securing thermostat to blower cover.

Thermal Fuse

1. Disconnect power supply to unit.
2. Remove Front Panel.
3. Disconnect wires to Thermal Fuse.
4. Remove Two screws securing fuse to blower cover

Note: "MDE" dryers (Electric Dryer Models) also have a Thermal Fuse mounted on the Heater Enclosure.

Hi-Limit Thermostat

1. Disconnect power supply to unit.
2. Remove Front Panel.

Note: Hi-Limit Thermostat is located on the right hand side of the Heating Cone for Gas Models and on the left hand side for Electric Models.

3. Disconnect wires to Hi-Limit Thermostat .
4. Loosen the rear mounting screw and remove the front screw.

Note: The mounting tabs of the thermostat are open-slotted.

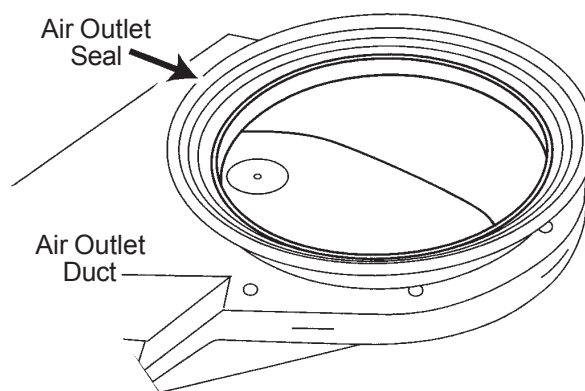
Blower Assembly

1. Disconnect power supply to unit.
2. Remove Front Panel.
3. Remove Front Shroud Assembly.

Blower Seal

1. Disconnect power supply to unit.
2. Remove Front Shroud Assembly.

Note: The rubber seal is secured to the outlet duct opening. The seal is fitted around the outer circumference lip of the outlet duct with the flange of the seal facing the blower cover



Blower Cover

1. Disconnect power supply to unit.
2. Remove Front Shroud Assembly.
3. Remove screws holding cover to blower housing.

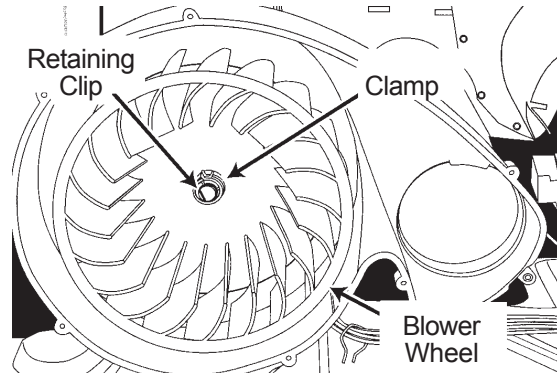
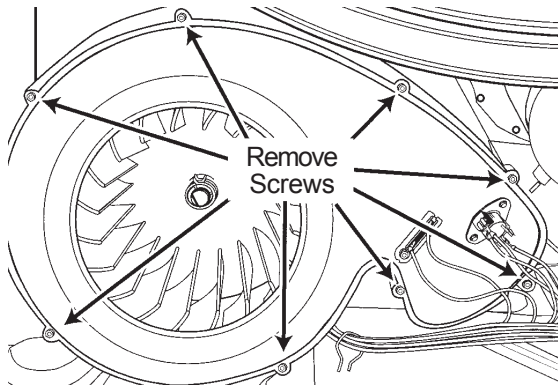
Note: One screw secures blower Cover to base frame.

Disassembly Procedures



WARNING

To avoid risk of electrical shock, personal injury or death; disconnect power to unit before servicing.



Note: It is not necessary to remove wires from thermostats to gain access to blower wheel. Lay the blower cover aside.

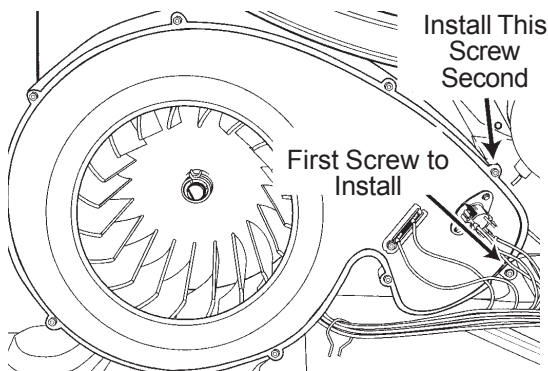
Note: When replacing a blower wheel, always replace the clamp.

5. Work blower wheel back and forth while pulling off shaft.

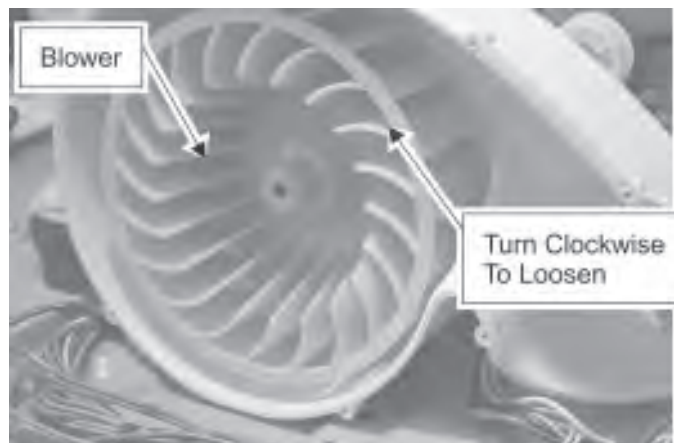
Note: It may require considerable effort to move the blower wheel.

6. Rotate the blower wheel in a clockwise rotation by hand to unscrew.

Note: The thread is left-hand and labeling on the rim of the blower wheel indicates direction for blower removal or installation.



Note: When reinstalling the Blower Cover Install the far right screw closest to the exhaust duct (right most screw). Continue to assembly moving to the next screw in a counterclockwise motion around the blower. Install the screw for the blower cover tab to the base frame last.



Blower

1. Disconnect power supply to unit.
2. Remove Blower Cover.

Note: Models prior series 23, follow steps 3-5. Models beginning with series 23 skip to Step 6-7

3. Remove Retaining clip.
4. Compress and remove Clamp around hub of blower wheel.

7. Remove blower wheel.

Note: The blower wheel is designed to be properly seated by hand. Little torque is required when reinstalling.

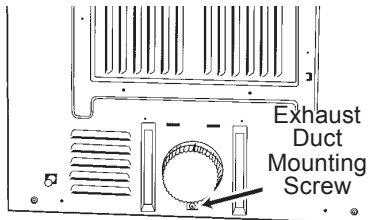
Disassembly Procedures



To avoid risk of electrical shock, personal injury or death; disconnect power to unit before servicing.

Exhaust Duct Pipe

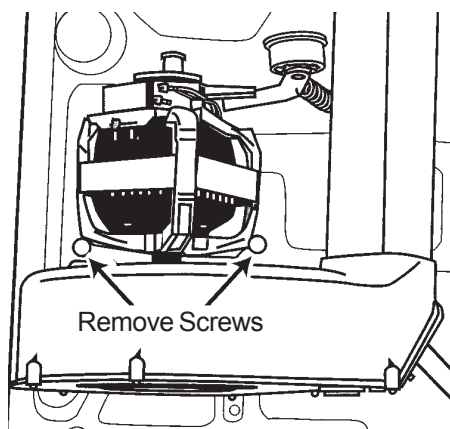
1. Disconnect power supply to unit.
2. Remove Blower Assembly.
3. Remove screw on back of cabinet securing Exhaust duct.



Drive Motor Assembly

Note: The entire blower and drive motor assembly can be removed for servicing.

1. Disconnect power supply to unit.
2. Remove Front Shroud Assembly.
3. Remove the Belt and Tumbler.
4. Remove the screw in front of the Blower Assembly that secures the assembly to the base frame.
5. Remove wire harness from Drive Motor and thermostats on Blower Cover.
6. Remove two screws securing motor to base frame. An extension is required to reach the screws. Screws are located directly behind the Blower Housing.



7. Carefully lift the front half of the blower assembly and slide forward to disengage the motor base rear tab from the slot in the base frame.

Assembly Breakdown

1. Remove blower cover screws.
2. Remove blower wheel.
3. Remove retaining ring clip from motor shaft, positioned behind the blower impeller.
4. Remove the motor support clips which retain the motor to the motor base. Use a nut driver large enough to accept the hook end of the clip. With a downward push of the driver onto the clip, tilt the driver handle toward the motor to unhook the clip from the support.
5. Remove motor from motor base.

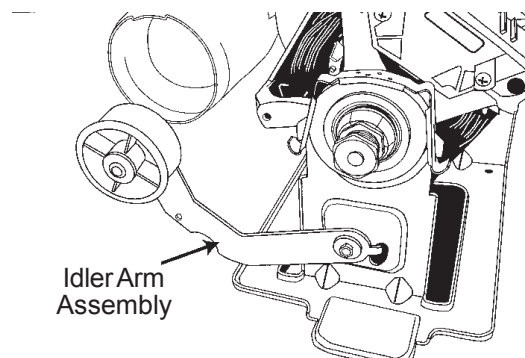
Motor Switch

1. Disconnect power supply to unit.
2. Remove shroud/tumbler front assembly.
3. Remove belts.
4. Remove tumbler.
5. Remove wire harness from motor switch by depressing tabs on either side of the harness connector and lift the connector from the switch.
6. Remove two screws holding switch to Drive Motor
7. Disengage the thermal protector switch from the motor switch body.

Note: This can be done by either inserting a small flat blade screwdriver into the slot near the switch terminals or breaking the switch body. The thermal protector switch is not replaceable and is part of the motor assembly.

Idler Arm Assembly

1. Disconnect power supply to unit.
2. Remove Front Shroud Assembly.
3. Remove Belts and Tumbler.
4. Unhook idler spring from the base frame and remove screw securing the assembly to motor support bracket.



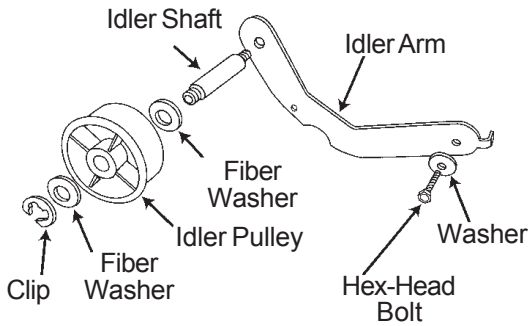
Disassembly Procedures



WARNING

To avoid risk of electrical shock, personal injury or death; disconnect power to unit before servicing.

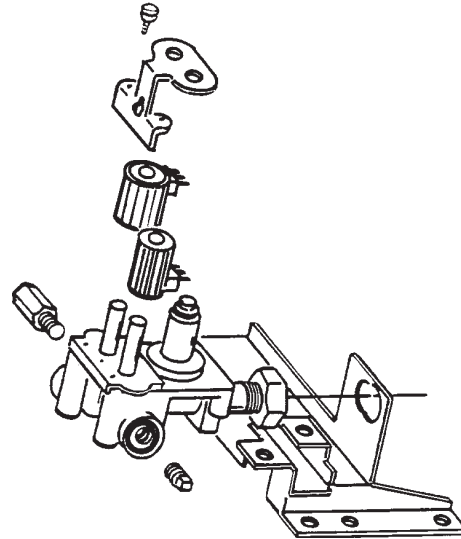
5. Remove retaining clip from groove in shaft.
6. Remove fiber washer.
7. Remove Idler Pulley and bearing.
8. Remove second fiber washer.



Note: There is a fiber washer between the pulley and the idler arm. When replacing parts, be certain the order of replacement is correct,

Note: The position of the flange of the idler pulley is important. The flange should be positioned on the side opposite the idler arm.

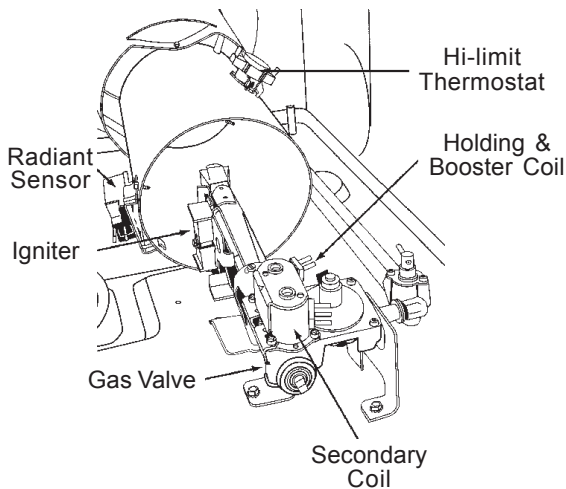
4. Remove the two screws securing the coil holding bracket.



5. Remove the bracket and lift coils off.

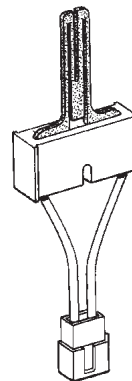
Note: When repositioning the coils onto the valve, align the coil positioning tabs and matching holes in the coil holding bracket for each coil.

Gas Valve Assembly



Igniter

1. Disconnect power supply to unit.
2. Remove Front Panel.
3. Unplug igniter from Gas Valve.
4. Remove screw holding Igniter to Burner



Coils

1. Disconnect power supply to unit.
2. Remove Front Panel.
3. Unplug wires harness from the Gas Valve Coils.

Disassembly Procedures



To avoid risk of electrical shock, personal injury or death; disconnect power to unit before servicing.

Gas Valve

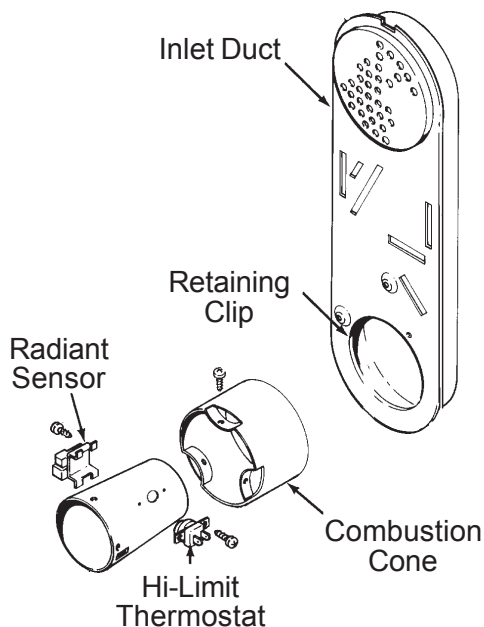
1. Disconnect power supply to unit
2. Remove Front Panel.
3. Shut off gas supply and disconnect supply line to valve.
4. Disconnect wire harness at valve coils.
5. Disconnect wires from radiant sensor
6. Loosen brass nut attaching angle connector to gas valve.
7. Remove two screws holding valve and burner assembly to base.
8. Slide valve bracket out of slot in base and remove valve and burner assembly.
9. Remove two screws holding gas valve to bracket on underside.

Combustion Cone

1. Disconnect power supply to unit.
2. Remove Front Panel.
3. Remove burner and igniter. Be careful igniter is fragile.
4. Remove wires from hi-limit thermostat.
5. Remove screw in front of cone holding it to base.
6. Remove screw at back of combustion cone holding cone tab to inlet duct.
7. Pull combustion cone out of dryer

Inlet Duct

1. Disconnect power supply to unit.
2. Remove Front Panel.
3. Remove Front Shroud Assembly, belt and tumbler.
4. Remove screws securing heat cone to base and to inlet duct.



5. Remove tumbler back assembly.

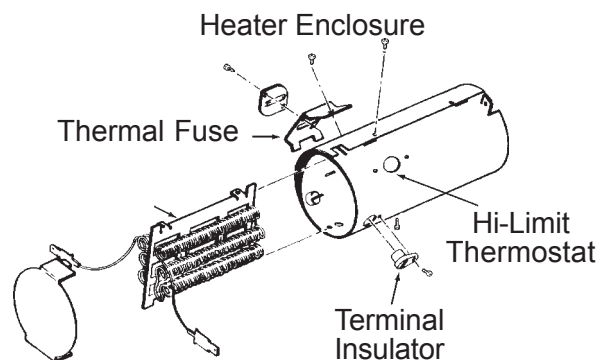
Note: Four screws are accessible from behind dryer

5. Remove three screws securing inlet duct to the tumbler back assembly. The two lower screws are under the felt seal of the tumbler back assembly

Note: For proper inlet duct to tumbler back assembly alignment when reinstalling, align inlet duct to large hole in the tumbler back assembly and fasten top screw first.

Heater Enclosure

1. Disconnect power supply to unit.
2. Remove Front Panel and Door
3. Remove screw holding Heater Enclosure shield to base. Remove Heater Shield from dryer
4. Remove screw in back of enclosure holding tab to inlet duct.



5. Remove wires from the Thermal Fuse and heater terminal on left side of enclosure. Remove purple wire from Hi-Limit Thermostat.
6. Pull heater assembly out of dryer

Note: Terminal insulators are used on each end of the element which attaches to spade connectors. These spade connectors are "crimped" to the wire and held in the insulator by small barbs on each side of the terminal. The barb must be bent parallel with each terminal before element package can be removed from the enclosure. Three screws hold the element package to the enclosure.

Disassembly Procedures



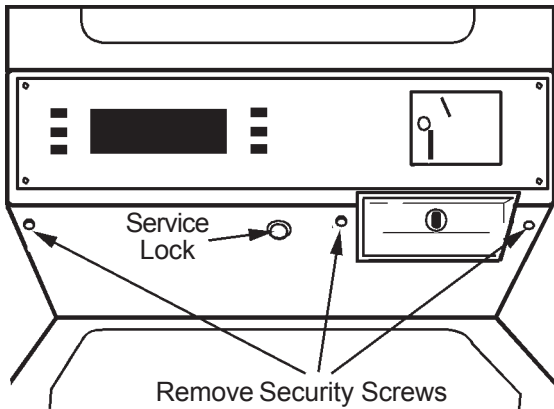
To avoid risk of electrical shock, personal injury or death; disconnect power to unit before servicing.

STACK DRYER SLOPED FRONT MODELS

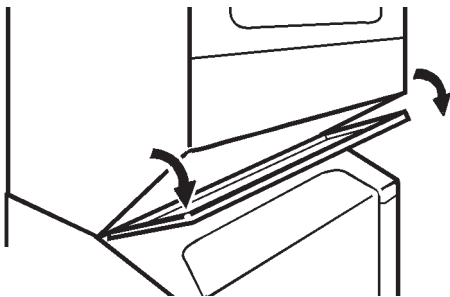
Note: The following section is exclusive to the stack dryers.

Service Panel and Switch

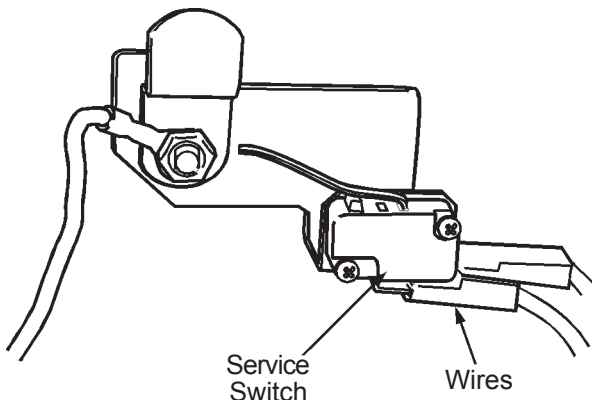
1. Disconnect power to the machine.
2. Remove three security screws.



3. Unlock the service lock.



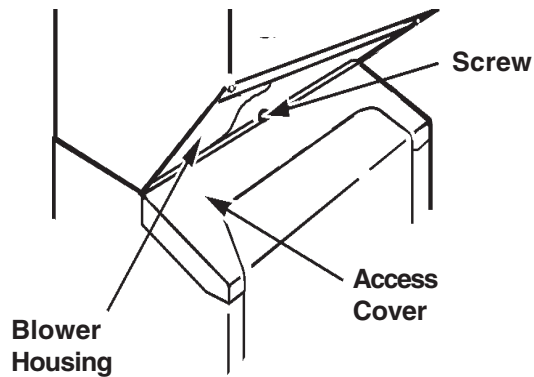
4. Pull the service panel down.



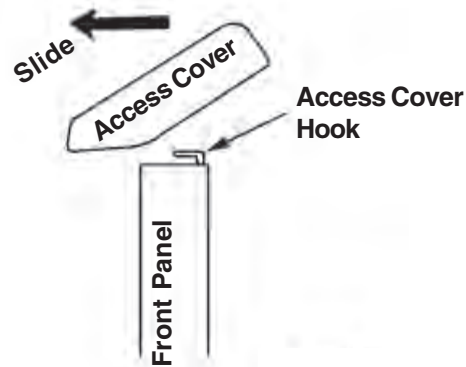
5. Disconnect wires to service switch.

Access Cover

1. Disconnect power to unit.
2. Remove the Access Panel.
3. Locate and remove the 5/16" hex head screw located in the front of the dryer base frame. This screw secures the access cover to the base frame.



4. Open the door.
5. Carefully slide the access cover down and away from the machine to disengage the cover from retaining clips on the front shroud located above the front panel goal posts.



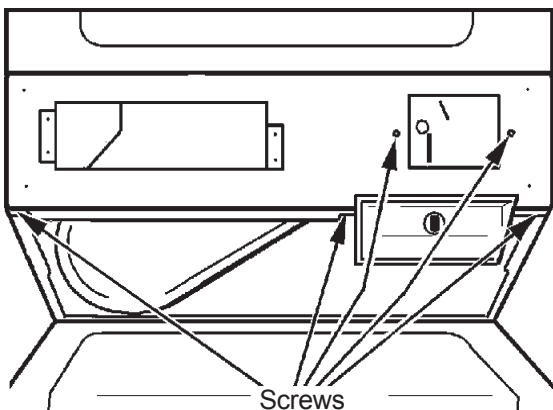
Control Panel

1. Disconnect power to the machine.
2. Remove the Access Panel.
3. Remove three security and two pozi drive screws securing the Control Panel under the Console.

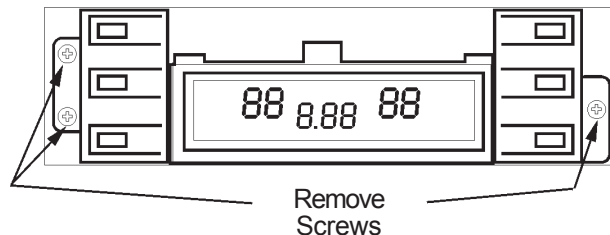
Disassembly Procedures

 **WARNING**

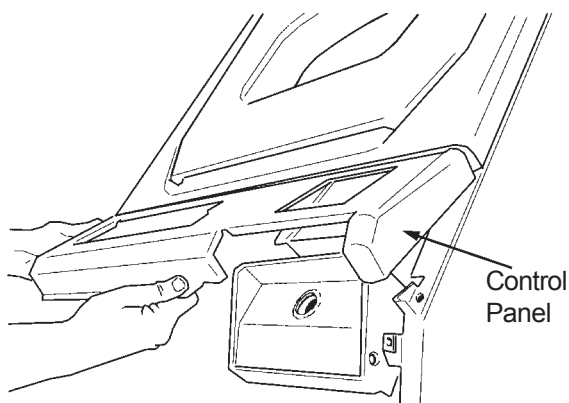
To avoid risk of electrical shock, personal injury or death; disconnect power to unit before servicing.



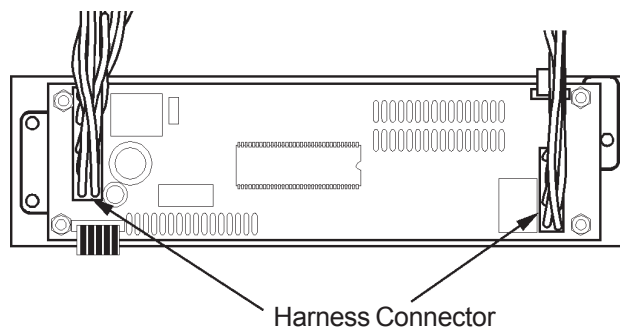
3. Remove three screws securing the Microprocessor to the Control Panel.



4. Lift Control Panel away from the dryer

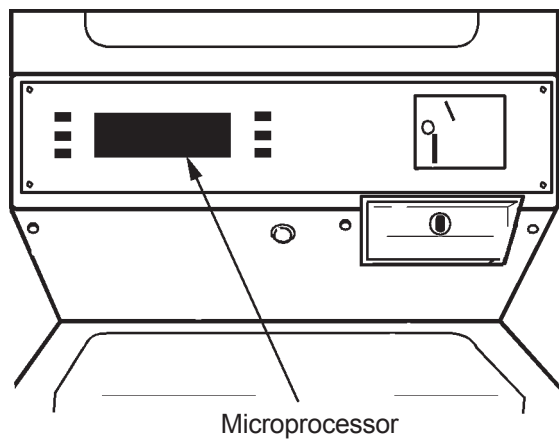


4. Observe the position of the harness connector plugged into the Microprocessor Board.

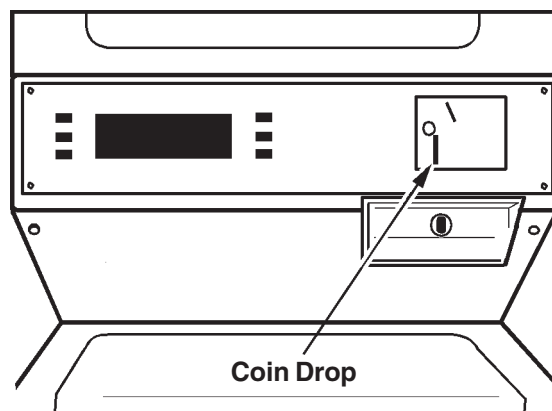


Microprocessor

1. Disconnect power supply to unit.
2. Remove four security screws securing the Facia.



Coin Drop

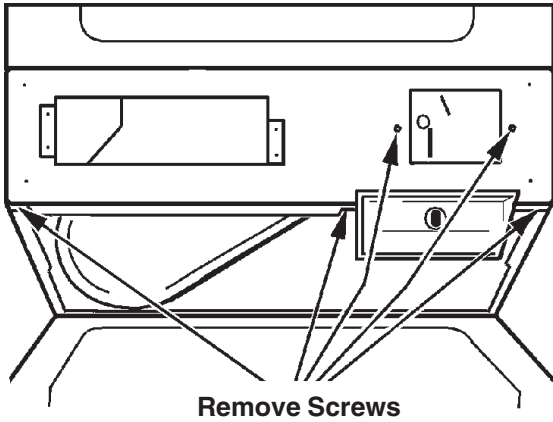


1. Disconnect power to the machine.
2. Remove the Service Panel.
3. Remove three security torx screws and two pozi-drive screws securing the Control Panel.

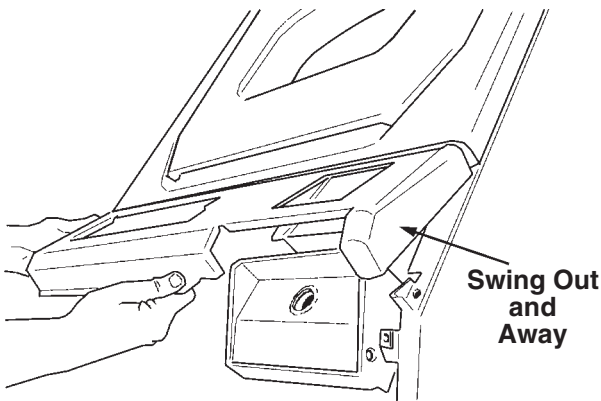
Disassembly Procedures



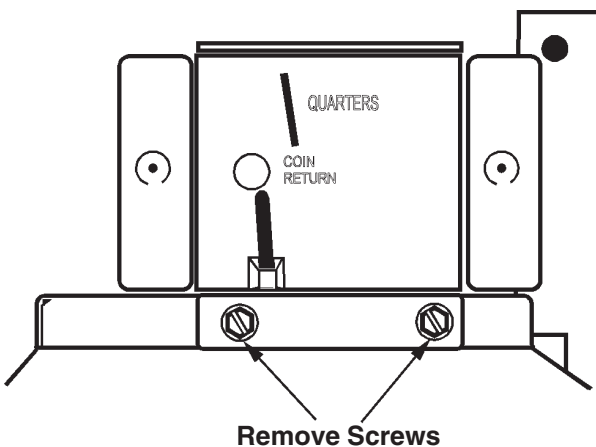
To avoid risk of electrical shock, personal injury or death; disconnect power to unit before servicing.



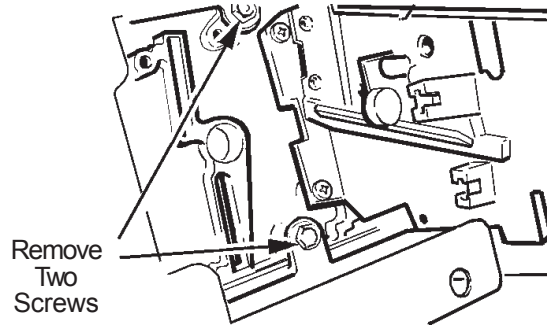
4. Lift control panel away from the dryer



5. Remove two 5/16" screws holding coin drop mounting plate.

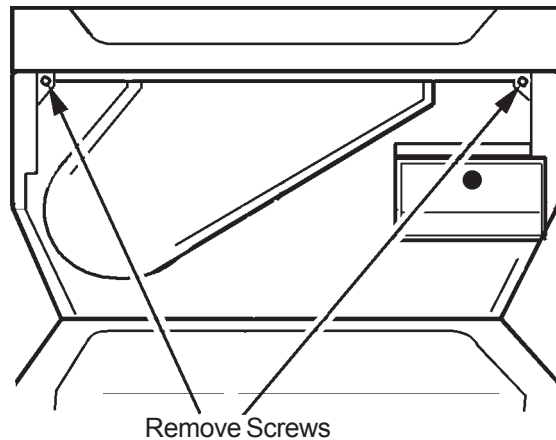


6. Remove two screws securing coin drop to mounting plate.



Front Panel

1. Disconnect power to the machine.
2. Remove the Service Panel and Control Panel.
3. Remove two T-20H screws secured into lower flange of the upper Front Panel.

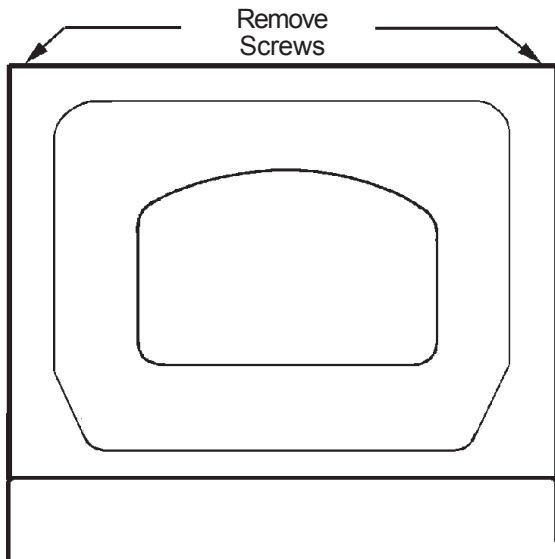


4. Remove the two 5/16" hex head screws located in the top right and left front corners of the Front Panel.

Disassembly Procedures

 **WARNING**

To avoid risk of electrical shock, personal injury or death; disconnect power to unit before servicing.

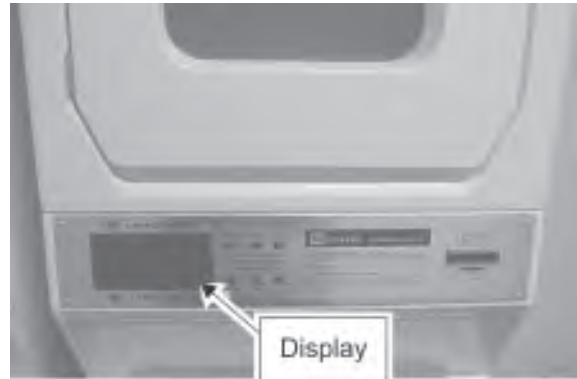


STACK DRYER SLOPED FRONT (PR MODEL)

Note: The following is exclusive to the PR Model - sloped Front Dryer.

Microprocessor

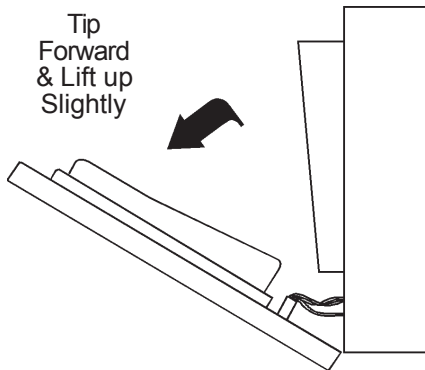
1. Disconnect power supply to unit.



5. Tip the top of the front panel forward and slightly lift the Front Panel at the same time. Then remove the wires from the door switch.

Note: Display is larger on "PR" model dryers.

2. Remove four security screws securing facia.



6. With the wiring removed from the door switch, continue to tilt the front panel forward while lifting the panel to clear the two lower mounting brackets.

3. Remove three screws securing the microprocessor to the Control Console.
4. Remove Control Panel.
5. Disconnect wiring connections.
6. Remove Microprocessor Board and bracket.

STACK DRYER-MN Models

Note: The following section is exclusive to the MN stack dryers.

Front Panel

1. Disconnect power supply to unit.
2. Remove two front screws.
3. Swing panel out and away from dryer

Disassembly Procedures



WARNING

To avoid risk of electrical shock, personal injury or death; disconnect power to unit before servicing.



5. Remove screws securing Front Panel.
6. Remove screws securing Selector Switch.
7. Disconnect wires on Selector Switch.

Note: Make note of wire location

Push-To-Start Switch

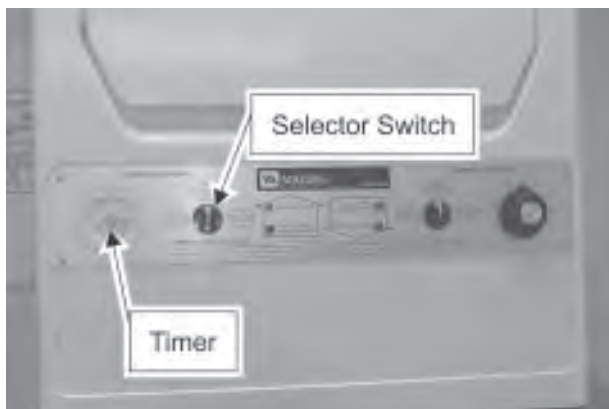
1. Disconnect power supply to unit.
2. Unscrew knurl nut



3. Remove Front Panel.
4. Disconnect wires on switch.

Timer

1. Disconnect power supply to unit.
2. Remove Timer Knob.
3. Remove Front Panel Screws.



4. Remove two screws securing Timer to Front Panel.
5. Disconnect wires on Timer.

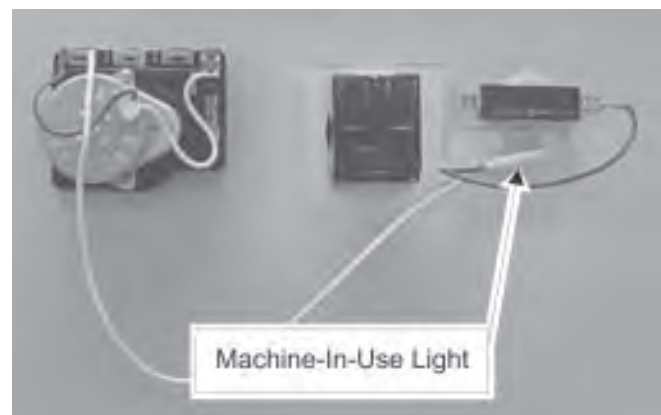
Note: Make note of wire locations.

Machine-In-Use Light

1. Disconnect power supply to unit.
2. Remove Front Panel.
3. Slide light off lens.
4. Disconnect wire connection.

Selector Switch

1. Disconnect power supply to unit.
2. Remove Timer Knobs (for both dryers)
3. Remove four screws securing Facia to Front Panel.
4. Remove Selector Switch Knob.



Disassembly Procedures



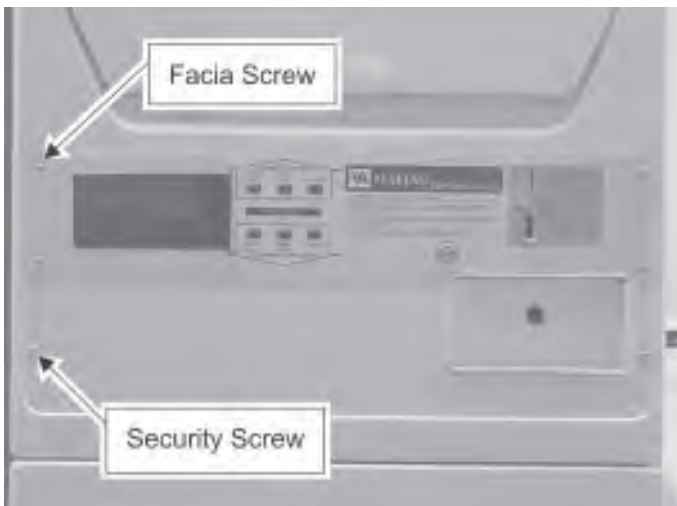
To avoid risk of electrical shock, personal injury or death; disconnect power to unit before servicing.

STACK DRYER-FLAT FRONT MODELS

Note: The following section is exclusive to the “Flat Front Model” stack dryers.

Front Panel

1. Disconnect power supply to unit.
2. Remove two security screws securing Front Panel.



3. Swing Front Panel out and away from dryer

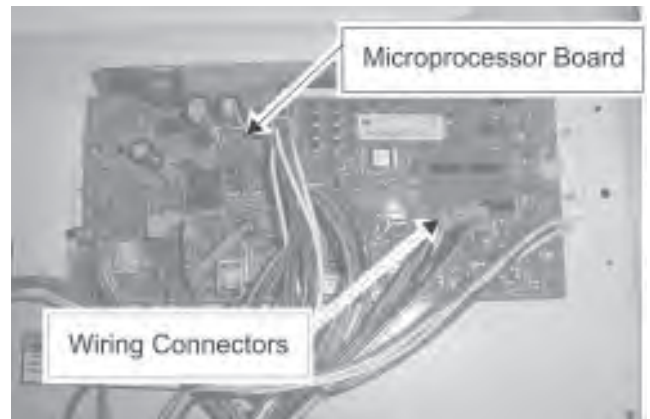
Note: Observe the wire placement connected to components attached to the Front Panel.

Microprocessor

1. Disconnect power supply to unit.
2. Remove four security screws securing facia.

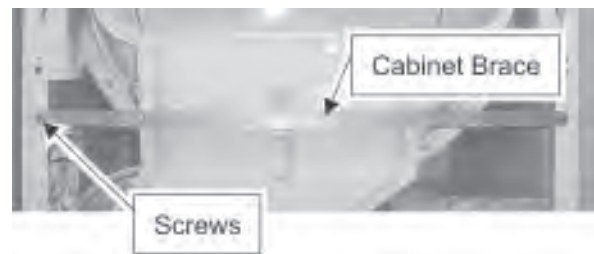


3. Remove three screws securing the microprocessor to the Front Panel.
4. Remove screws(T25 H) securing Front Panel.
5. Disconnect wiring connections.
6. Remove Microprocessor Board and bracket.

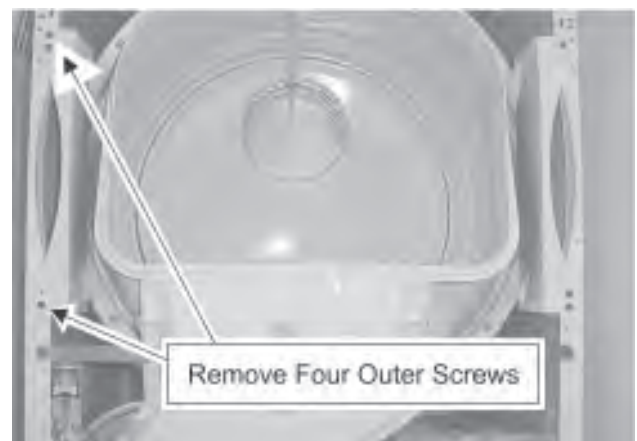


Front Shroud Assembly

1. Disconnect power supply to unit.
2. Remove Front Panel.



3. Remove screws securing cabinet brace.



4. Remove four outer screws.

Disassembly Procedures

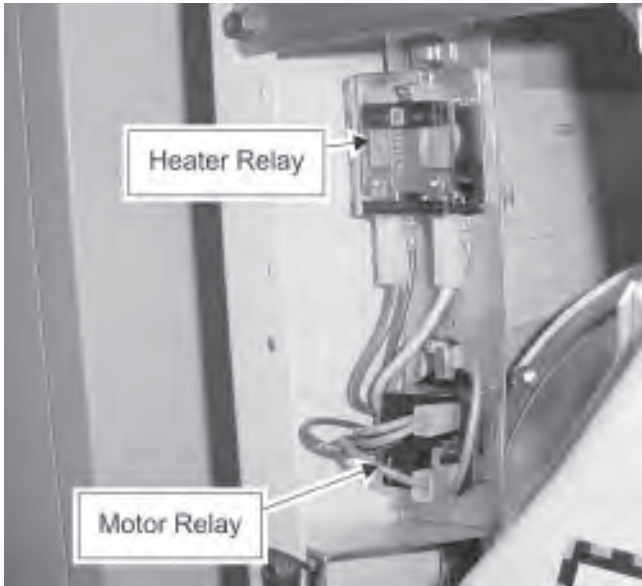


WARNING

To avoid risk of electrical shock, personal injury or death; disconnect power to unit before servicing.

Motor & Heater Relays

1. Disconnect power supply to unit.
2. Remove Cabinet Brace.



Note: Heater Relays are used ONLY on "MDE" model dryers (Electric Models).

3. Remove screws securing relay bracket.
4. Disconnect wires to relays.

Appendix A

PROGRAMMING PROCEDURES

How to Use the Keypads to Program the Controls

1. The **Whites & Colors** keypad is used to change information in the programming codes, permitting adjustment. Pressing the keypad will change the characters by one (1). Rapid adjusting is possible by holding the keypad down.
2. The **Permanent Press** keypad will advance you through the programmed codes. Holding the keypad down will automatically advance through programs at a rate of one (1) per second.
3. The **Delicates** keypad is used to select or deselect options. This is an "OFF" or "ON" selection.

START OPERATING SET-UP

PD and PS Models (Single Load Dryer): Insert access door key, turn, and lift to remove access door.

PD Models (Stacked Dryers): Insert access panel key and turn.

PN Models: Insert service key and turn to "PROGRAM."

PR Models: Once the debit card reader is installed (according to the reader manufacturer's instructions), the set-up mode can be entered by inserting a manual set-up card (supplied by the reader manufacturer) into the card slot.

If manual set-up card is not available, manual set-up mode can be entered by removing connector AA1 on the circuit board.

CAUTION: The console must not be opened unless power is first removed from the dryer. To access connector AA1, remove power, open console, disconnect plug on AA1, close console, apply power to dryer. The dryer is now in the set-up mode.

NOTE: Before proceeding please note that an owner can choose to uncrate a new commercial machine, hook it up, plug it in and have a unit which operates.

PD units are pre-set at the factory for fixed cycle price with top off.

PR and PN units are pre-set for free cycle operation so they can be run without readers or coins.

The appliance is programmed at the factory as follows:

5 minutes dry time/quarter (Coin 1).

\$1.50 dry price (Fixed cycle with top off-PD/PS models).

\$0.00 dry price (Fixed cycle-PR/PN models).

GENERAL USER INFORMATION

Blank Display: This condition indicates that the appliance is inoperative.

"0" Minutes Showing in Display: This condition indicates that the appliance cannot be operated. Coins dropped during this condition will be stored in escrow, but cannot be used until normal operation is restored by opening and closing the door. If the door switch fails, recovery from this condition is impossible without service.

Warm Start - After Power Failure: After a delay of a few seconds, the appliance is restored to the state that existed at the time of power failure. "Reselect Cycle" will flash in the display. Select fabric setting to restart dryer.

Pricing

After the door is opened, following the completion of a cycle, the display indicates the cycle price (unless set for free operation). As coins or debit inputs arrive, the display will change to lead the user through the initiation of a cycle.

There are four (4) types of pricing.

Fixed "Vend" Pricing

A dryer set up for "Fixed Cycle" operation can only accept additional time accumulated by increments equal to the length of a complete dry cycle. A maximum of 99 minutes may be purchased; no additional credit is given when 99 minutes is in the display.

Accumulator Pricing

If the price is equal to the value of coin 1, then accumulator mode is in effect (stacked models also require Fixed Cycle with Top Off option to be selected). Cycle time can be purchased one coin at a time (PD and PS models) up to the maximum time of 99 minutes. While in accumulator pricing, stacked machines will credit all money to a cycle with a single button press.

Fixed Cycle With Top Off Pricing

A dryer set to offer "Top Off" capability will allow time to be added to an existing dry cycle in increments equal to the number of minutes of dry time per quarter (coin 1), up to 99 minutes, regardless of the cost required to start the machine. No credit is given for coins or debit inputs entered when the control is displaying 99 minutes.

PR Models: In Enhanced Debit Mode, the Top Off price can be set independently. (See VALUE OF COIN 2), and the top off time is calculated according to the following equation:

$$\begin{array}{lcl} \text{top off price} & = & \text{top off time} \\ \text{full cycle price} & = & \text{full cycle length} \end{array}$$

Penny increment offset is not applied to top off purchases.

Free Cycles and PN Models

This is established by setting the cycle price to zero. When this happens, "select cycle" will appear rather than a cycle price. Any cycle started as a free cycle will automatically terminate when the door is opened.

Debit-Card Ready

This appliance is debit-card "cable ready." It will accept a variety of debit card systems, but does NOT come with a debit-card reader. Connection to the control board is by means of a Molex brand connector (housing and terminals.) See your distributor for appropriate connector part numbers.

SET UP CODES

The PERMANENT PRESS keypad will advance from code to code. The WHITES & COLORS keypad will change the code value. The delicate keypad will select or deselect options.

Note: On all stacked dryer models, programming selections apply to both dryers. Stacked dryer selections are accessed by pressing the LOWER DRYER keypads.

FOR PS, PR & PN MODELS ONLY: The default codes are the same for setting up the "PD" models. However additional information may be given that could affect the set up.

The set-up code is indicated by the one or two left-hand characters. The set-up code value is indicated by the two or three right-hand characters.

CODE		EXPLANATION
606	6	REGULAR CYCLE PRICE
	06	Represents the number of coins. See VALUE OF COIN 1 and COIN 2. Adjustable from 0-39 by pressing the Whites & Colors keypad. Presently set for six (6) quarters = \$1.50. Press Permanent Press keypad once to advance to next code. PS models ONLY: Represents the number of pushing actuations of the coin slide to start the machine. We recommend "601" setting.
705	7	REGULAR DRYING MINUTES PER COIN
	05	Represents the number of minutes per coin. Presently set for 5 minutes per coin. Example: Six (6) quarters times (x) five (5) minutes = 30 minutes. Adjustable from 1-99 minutes by pressing the Whites & Colors keypad. Press Permanent Press keypad once to advance to next code. PN MODELS ONLY: Represents the cycle length for free cycles. An example: "730" represents 30 minutes. PS MODELS ONLY: Represents the total number of minutes per slide. Example: "748" represents 48 minutes.
800	8	TYPE OF DRY TIME
	00	Fixed cycle with top off. For detailed description see "General Use Information." Use Delicates keypad to make this selection.
	FC	Fixed cycle. For detailed description see "General User Information." Use Delicates keypad to make this selection. Press Permanent Press keypad once to advance to next code.
900	9	CYCLE COUNTER OPTION
	00	This option is either Selected "ON" or Not Selected "OFF". Not Selected or "OFF."
	0C	Selected or "ON." Press Delicates keypad three consecutive times to select "ON." Once this option is selected, you cannot go back to "00." Press Permanent Press keypad once to advance to next code.

CODE		EXPLANATION
1.00	1.	MONEY COUNTER OPTION This option is either Selected "ON" or Not Selected "OFF"
	00	Not Selected or "OFF."
	0C	Selected or "ON."
	C0	Press <i>Delicates</i> keypad three consecutive times to select "ON" and three consecutive times to remove (Not Selected) "OFF" Reset counter by going from "OFF" to "ON." To select "ON" and not be able to be deselected, first select "ON," then within two seconds, press <i>Delicates</i> twice, <i>Permanent Press</i> once, and shut the service access door Press <i>Permanent Press</i> keypad once to advance to next code.
2.00	2.	SPECIAL PRICING OPTION. This option is either Selected "ON" or Selected "OFF."
	00	Not Selected or "OFF."
	SP	Selected or "ON." Press <i>Delicates</i> keypad once for this selection.
Steps "3." thru "9." codes are skipped if mode "2.00" is selected.		
Press <i>Permanent Press</i> keypad once to advance to next code.		
3.06	3.	SPECIAL CYCLE PRICE
	06	Represents the number of coins. See value of coin 1 and coin 2. Adjustable from 00 to 39 by pressing the <i>Whites & Colors</i> keypad. Presently set for six (6) quarters = \$1.50. Press <i>Permanent Press</i> keypad once to advance to the next code. PR &PN MODELS ONLY: Presently set for 0 quarters.
4.05	4.	SPECIAL DRYING MINUTES PER COIN
	05	Represents the number of minutes per coin. Presently set for 5 minutes per coin. Example: Six (6) quarters times (x) five (5) minutes = 30 minutes. Adjustable from 1-99 minutes, by pressing the <i>Whites & Colors</i> keypad. Press <i>Permanent Press</i> keypad once to advance to the next code. PN MODELS ONLY: Represnet the cycle length for free cycles. As example: "730" represents 30 minutes.
5.00	5.	MINUTES
	00	This selection, "MINUTES," is the time of day clock. Select 00-59 minutes by pressing <i>Whites & Colors</i> keypad. Press <i>Permanent Press</i> keypad once to advance to the next code.
6.00	6.	HOURS
	00	This selection, "HOUR," is the of time of day clock in hours; using military time (24 hour clock). Select from 00 to 23 by pressing the <i>Whites & Colors</i> keypad. Press <i>Permanent Press</i> keypad once to advance to the next code.

CODE	EXPLANATION
7.00	<p>7. 00 STARTING OF SPECIAL PRICING HOUR</p> <p>This selection, "HOUR," is the of time of day clock in hours; using military time (24 hour clock). Select from 00 to 23 by pressing the <u>Whites & Colors</u> keypad.</p> <p>Press <u>Permanent Press</u> keypad once to advance to the next code.</p>
8.00	<p>8. 00 STOPPING OF SPECIAL PRICING DAYS</p> <p>This is the selection of the hours using military time (24 hour clock). Select 0 to 23 hours by pressing <u>Whites & Colors</u>.</p> <p>Press <u>Permanent Press</u> keypad once to advance to the next code.</p>
9.10	<p>9. 10 SPECIAL PRICE DAYS</p> <p>Represents the day of the week and if special pricing is to occur on that day. The middle digit is the day of the week, and the last digit is "0" for not selected or "S" for selected.</p> <p>For example: 9.10 Special pricing not selected. 9.1S Special pricing selected for that individual day</p> <p>Pressing the <u>Delicates</u> keypad once to select "0" and once for "S."</p> <p>Press <u>Whites & Colors</u> keypad to advance to the next day of the week. You must exit on current day of the week that it is for the special pricing to occur on the correct day. Refer to chart for Special Price Days.</p> <p>Press <u>Permanent Press</u> keypad once to advance to the next code.</p>
A.00	<p>A. 00 VAULT VIEWING.</p> <p>Once selected (SC), this option may be deselected (00). 00 Not Selected or "OFF." SC Selected or "ON."</p> <p>Press <u>Delicates</u> keypad once to select "SC," the money and/or cycle counter will be viewable when the vault is opened. If "00" is selected, the service door will need to be opened to view the money and/or cycle counter.</p> <p>Press <u>Permanent Press</u> keypad once to advance to next code.</p>
b.05	<p>b. 05 VALUE OF COIN 1 (QUARTER DROP)</p> <p>Represents the number of nickels (5 cent increments) given to the value of each coin in code 600 "regular cycle price" or 3.00 "special cycle price." For example: b. 05 equals five (5) nickels or one (1) quarter b. 20 equals twenty (20) nickels or one (\$1.00) dollar</p> <p>Press <u>Whites & Colors</u> keypad to advance from 1 to 199 in nickels. PS models ONLY: Represents the total vend price in nickels. Example: b30 is equal to \$1.50</p> <p>Press <u>Permanent Press</u> keypad once to advance to next code.</p>

CODE		EXPLANATION
C.20	00	VALUE OF COIN 2 (CANADIAN DOLLAR DROP)
	20	Represents the number of nickels (5 cent increments) given to the value of each Canadian dollar drop in the dollar coin slot. For example: c. 20 equals twenty (20) nickels or one (1) Canadian dollar c. 40 equals forty (40) nickels or two (2) Canadian dollars. Press Whites & Colors keypad to advance from 1 to 199 in nickels. Press Permanent Press keypad once to advance to the next code.
d.00	d.	COIN SLIDE OPTION. Once selected (CS) this option may be deselected (00).
	00 CS	Not Selected or "OFF." Selected or "ON." Press Delicates keypad once to select "00" when coin drop is used, and "CS" for models not using a coin drop. Press Permanent Press keypad once to advance to the beginning of the program mode.
E.00	E.	Add coins option. Once selected, the (AC) option may be deselected (00). This option causes the customer display to show the number of coins (coin 1) to enter, rather than the dollar-and-cents amount.
	00 AC	Not Selected or "OFF." Selected or "ON." Press Delicates keypad three (3) consecutive times for this selection. PR MODELS ONLY: In enhance debit mode, this option is not selectable. Press Permanent Press keypad once to advance to next code.
J.Cd	J. Cd C_ _d	Coins/Debit Option. Both coin and debit selected. Coins selected. Debit card option selected PN MODELS ONLY: Must be set for _d. Press Delicates keypad three (3) consecutive times for this selection.
	Ed	Enhanced debit is self-selected when a Generation 2 card reader is installed in the dryer. The Ed option cannot be manually selected or deselected. Not available on stacked dryer units. Press Permanent Press keypad once to advance to next code.

CODE

EXPLANATION

L.00

L.

Price Suppression Option.
Once selected (PS), this option may be deselected (00).
Bypass ***Delicates***. This option causes the customer display to show "Available" rather than the amount of money to add. (Used mainly in debit installation.)
00 Not Selected or "OFF."
PS Selected or "ON."

Press ***Permanent Press*** keypad once to advance to next code.

n.CE

n.

Clear Escrow Option.
When "CE" is selected, the amount remaining in escrow will be "cleared," 30 minutes after the end of the cycle or the last coin is deposited, whichever is later.
00 Not selected or "OFF."
CE Selected or "ON."

Press ***Delicates*** keypad once to select "00" or "CE."

Press ***Permanent Press*** keypad once to advance to the next cycle.

U.00

U.
00

Penny Increment Offset
This represents the penny increment price offset used in Generation 2 (enhanced debit) PR models choose from 0-4 pennies by pressing the ***White & Colors*** keypad.

Not available on stacked units.

Press ***Permanent Press*** keypad once to advance to the next cycle.

End of set-up procedures.

Exit from set-up mode.

PD/PS Models
PN Models
PR Models

Reinstall access door.
Turn service key to "Run".
Remove power, open console, re-insert plug in AA1, close console and apply power.

SPECIAL PRICING DAYS

In reference to the "Special Price Days," the following will appear when programming that sequence: (The number "5" is read as an "S" to represent special pricing in effect.)

Not Selected	Selected	Day Number	Day of Week
9.10	9.15	Day 1	Sunday
9.20	9.25	Day 2	Monday
9.30	9.35	Day 3	Tuesday
9.40	9.45	Day 4	Wednesday
9.50	9.55	Day 5	Thursday
9.60	9.65	Day 6	Friday
9.70	9.75	Day 7	Saturday

Note: Remember you must show current day of week before proceeding to next code.

Cycles and Money Counter Options

The following will appear if you selected "0C" in the cycle counter option "900." This is a "**View Only**" and cannot be altered. When cycle counter is selected, the numbers will "**flash**" in sequence.

Example:

100	Represents number of cycles in HUNDREDS	102 = 200
200	Represents number of cycles in ONES	<u>225</u> = 25
		Total = 225 Cycles

Press **Permanent Press** keypad once to advance to next code.

The following will appear if you selected "0C" in the money counter option "1.0C." This is a "**VIEW ONLY**" and cannot be altered. The money counter can be reset by going to **OFF (00)** and **ON (0C)**.

When money counter option is selected, the numbers will "**flash**" in sequence.

Example:

300	Represents number of cycles in HUNDREDS	301 = \$100.00
400	Represents number of cycles in ONES	468 = 68.00
500	Number of CENTS	<u>575</u> = .75
		Total = \$168.75

DRYER DIAGNOSTIC MODE

This mode is entered by depressing DELICATES for one second while in any of the set-up codes one through six (or while dAS displays if operating with Maytag Data Acquisition setup) or with a diagnostic code present. Diagnostic codes are cleared on entry and all display segments should flash. If a diagnostic code persists, it must be corrected before the diagnostic cycle may be executed.

All Single Load Models:

With all segments flashing, the diagnostic cycle is started by depressing the PERMANENT PRESS key pad. The cycle consists of seven minutes of heat and 1 minute of cooldown. The WHITES & COLORS key pad will increment the diagnostic cycle minutes up to 99, then roll over to 2 minutes. The DELICATES key pad will cancel this cycle and exit the diagnostic mode.

Stacked Models Only:

There are 2 procedures to initiate cycle activity from diagnostic mode for these models:

1. Upper Dryer Field Diagnostic Cycle – With the entire display flashing, the cycle is started by pressing the UPPER DRYER PERMANENT PRESS key pad. The cycle consists of seven minutes of heat and one minute of cool down. The UPPER DRYER WHITES & COLORS key pad will increment the diagnostic cycle minutes up to 99, then roll over to 2 minutes. Pressing the LOWER DRYER DELICATES key pad will cancel this cycle and exit the diagnostic mode.
2. Lower Dryer Field Diagnostic Cycle – With entire display flashing, the cycle is started by pressing the LOWER DRYER PERMANENT PRESS key pad. The cycle consists of seven minutes of heat and one minute of cool down. The LOWER DRYER WHITES & COLORS key pad will increment the diagnostic cycle minutes up to 99, then roll over to 2 minutes. Pressing the LOWER DRYER DELICATES key pad will cancel this cycle and exit the diagnostic mode.

Dryer Help Mode

The Help Mode is entered by pressing the **Whites & Colors** keypad while in special pricing option, step 2.XX (or while dAS displays if operating with Maytag Data Acquisition set up). In help mode, the software revision is displayed in the digits. Press the **Whites & Colors** key at anytime to exit help mode.

In help mode, other display symbols and elements are mapped to reflect the state of various input and outputs as follows:

Single Load Dryers	
DISPLAY	DESCRIPTION
*	Low voltage present (below 90VAC)
Circle above digit	Door closed
&	140° thermostat closed
OR	Motor sensed running
AIR	Heater/gas valve relay on
FLUFF	Motor relay on
Stacked Dryer Models	
Upper Dryer Only –Upper Half Of Display	
▲	Upper dryer motor sensed running
Circle above digit	Upper dryer door closed
COOL	Upper dryer 140° thermostat closed
OR	Upper dryer heater relay on
&	Upper dryer motor relay on
Lower Dryer Only –Lower Half Of Display	
*	Low voltage present (below 90VAC)
▼	Lower dryer motor sensed running
Circle above digit	Lower dryer door closed
COOL	Lower dryer 140° thermostat closed
OR	Lower dryer heater relay on
&	Lower dryer motor relay on