

# Service

This manual is to be used by qualified appliance technicians only. Maytag does not assume any responsibility for property damage or personal injury for improper service procedures done by an unqualified person.

## Compact Dryer

This Base Manual covers general information  
Refer to individual Technical Sheet  
for information on specific models

This manual includes, but is  
not limited to the following:

**MDE2400AY\***

# Important Information

## Important Notices for Technicians and Consumers

Maytag will not be responsible for personal injury or property damage from improper service procedures. Pride and workmanship go into every product to provide our customers with quality products. It is possible, however, that during its lifetime a product may require service. Products should be serviced only by a qualified service technician who is familiar with the safety procedures required in the repair and who is equipped with the proper tools, parts, testing instruments and the appropriate service information. **IT IS THE TECHNICIANS RESPONSIBILITY TO REVIEW ALL APPROPRIATE SERVICE INFORMATION BEFORE BEGINNING REPAIRS.**



### **WARNING**

To avoid risk of severe personal injury or death, disconnect power before working/servicing on appliance to avoid electrical shock.

To locate an authorized technician, please consult your telephone book or the dealer from whom you purchased this product. For further assistance, please contact:

### Customer Service Support Center

CAIR Center

<u>Web Site</u>	<u>Telephone Number</u>
WWW.MAYTAG.COM .....	1-800-688-9900
CAIR Center in Canada .....	1-800-688-2002
Amana Canada Product .....	1-866-587-2002

### Recognize Safety Symbols, Words, and Labels



### **DANGER**

**DANGER**—Immediate hazards which **WILL** result in severe personal injury or death.



### **WARNING**

**WARNING**—Hazards or unsafe practices which **COULD** result in severe personal injury or death.



### **CAUTION**

**CAUTION**—Hazards or unsafe practices which **COULD** result in minor personal injury, product or property damage.

# Table of Contents

Important Information .....	2
Important Safety Information .....	4
General Information	
Model Identification .....	8
Serial Label Location .....	8
Model Nomenclature .....	9
Troubleshooting Guide Location .....	9
Model Specifications .....	10
Troubleshooting	
Troubleshooting General Symptoms .....	11
Component Electrical Testing	
Thermistor Resistance .....	12
Heater Check Including Thermostats .....	12
Motor Check .....	12
Resetable Thermal Fuse and Hi Limit .....	12
Thermistor Check .....	13
Door Switch Check .....	13
Top Removal .....	14
Thermostat Removal .....	14
Back Cover and Vent Tube Removal .....	14
Heater Removal .....	15
Wiring Configuration .....	15
Console Removal .....	16
Circuit Board Removal .....	17
Front Panel/Door/Door Switch/Drum Glide Removal ..	18
Drive Belt Removal .....	20
Drum Removal .....	21
Rear Seal Removal .....	22
Motor/Blower Removal .....	22
Door Reversal .....	24
Appendix A	
Installation Instructions .....	26
Appendix B	
Use And Care .....	39

# Important Safety Information

## **WARNING**

To avoid risk of fire, electric shock, serious injury, or death when using your dryer, follow these basic precautions:

1. Read all instructions before using dryer.
2. Install dryer according to Installation Instructions. Refer to the Grounding Instructions in the Installation Instructions for proper grounding of the dryer.
3. Do not dry articles that have been cleaned in, washed in, soaked in, or spotted with gasoline, dry-cleaning solvents, or other flammable or explosive substances. Vapors could ignite or explode.
4. Do not use dryer to dry clothes which have traces of any flammable substance, such as vegetable oil, cooking oil, machine oil, flammable chemicals, thinner, etc., or anything containing wax or chemicals, such as mops and cleaning cloths. Flammable substances may cause fabric to catch fire by itself.
5. Do not store or use gasoline or other flammable vapors and liquids near this or any other appliance.
6. Do not allow children to play on or in dryer. Close supervision of children is necessary when dryer is used near children, a safety rule for all appliances.
7. Before dryer is removed from service or discarded, remove doors to drying compartment.
8. Do not reach into dryer if cylinder is revolving.
9. Do not install or store dryer where it will be exposed to water and/or weather.
10. Do not tamper with dryer controls.
11. Do not repair or replace any part of dryer or attempt any service, unless specifically recommended in user-maintenance instructions or in published user-repair instructions that you understand and have skills to carry out, if you are a consumer.
12. To reduce risk of electric shock or fire, do not use extension cords or adapters to connect dryer to electrical power source.
13. Use the dryer only for its intended purpose, drying clothes.
14. Always disconnect dryer from electrical supply before attempting any service. Disconnect power cord by grasping the plug, not the cord.
15. Do not use heat to dry articles containing foam rubber or similarly textured rubberlike materials.
16. Always clean the lint filter after every load. A layer of lint in the filter reduces drying efficiency and prolongs drying time.
17. Use only fabric softeners or products to eliminate static that are appropriate for automatic dryers.
18. Keep your dryer in good condition. Bumping or dropping dryer can damage safety features. If damage occurs, have dryer checked by qualified service technician.
19. Replace worn power cords and/or loose plugs.
20. Do not tumble fiberglass curtains and draperies unless the label says it can be done. If they are dried, wipe out the cylinder with a damp cloth to remove particles of fiberglass.
21. Always read and follow manufacturer's instructions on packages of laundry aids. Heed all warnings or precautions. To reduce risk of poisoning or chemical burns, keep products away from children at all times, preferably, in a locked cabinet.
22. Never operate dryer with guards and/or panels removed.
23. Do not operate dryer with missing or broken parts.
24. Do not bypass safety devices.
25. Keep area around the exhaust opening and adjacent surrounding areas free from accumulation of lint, dust, and dirt.
26. Interior of dryer and exhaust duct should be cleaned periodically by qualified service personnel.
27. Dryer will not operate with loading door open. DO NOT bypass door safety switch by permitting dryer to operate with door open. Dryer will stop tumbling when door is opened. Do not use dryer if it does not stop tumbling when door is opened or starts tumbling without pressing or turning the START mechanism. Remove the dryer from use and call the service person.
28. Remove laundry immediately after the dryer stops.
29. ALWAYS follow the fabric care instructions supplied by the garment manufacturer.

## Save These Instructions

# Important Safety Information

## Electrical Service Information

### Electrical Dryers

- 240 VAC, 60 Hz, 30 Amps,  
3-wire or 4-wire installations

### About Ground Wires

In the event of an electrical short circuit, a ground wire reduces the risk of electric shock by providing an escape wire for the electric current.

Standard accepted color coding for ground wires is **green** or **green with a yellow stripe**.

Grounding wires and wires colored like grounding wires are **NOT** to be used as current carrying conductors.



## WARNING

To reduce the risk of fire and exposure to combustion gases, the dryer **MUST** be exhausted to the outdoors. **DO NOT** exhaust dryer air into a window well, gas vent, chimney or enclosed, unventilated area, such as an attic, wall, ceiling, crawl space under a building or concealed space of a building.



## WARNING

To reduce the risk of fire, electric shock, serious injury or death, all wiring and grounding must conform with the latest edition of the National Electric Code, or the Canadian Electrical Code, and such local regulations as might apply. It is the customer's responsibility to have the wiring and fuses checked by a qualified electrician to make sure your home has adequate electrical power to operate the dryer.

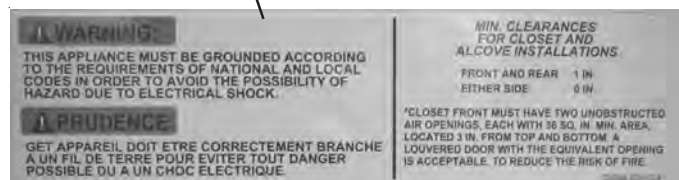
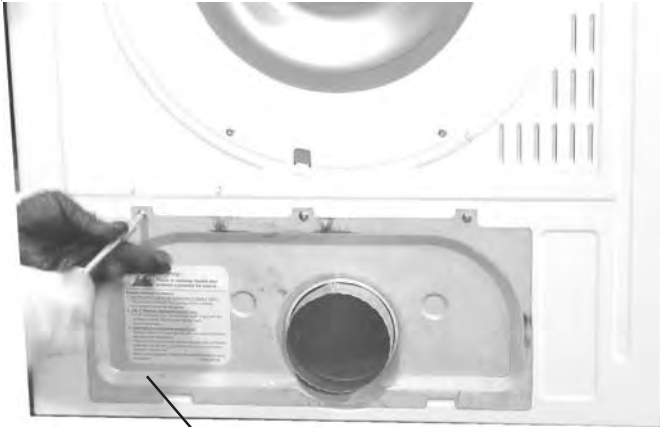


## WARNING

**To avoid risk of personal injury or death due to electrical shock:**

- **Observe all local codes and ordinances.**
- Disconnect electrical power to unit before servicing.
- Ground appliance properly.
- Check with a qualified electrician if you are not sure this appliance is properly grounded.
- **DO NOT** ground to gas line.
- **DO NOT** ground to cold water pipe if pipe is interrupted by plastic, non-metallic gaskets, or other insulating (non-conducting) materials.
- **DO NOT** modify plug on power cord. If plug does not fit electrical outlet, have proper outlet installed by qualified electrician.
- **DO NOT** have a fuse in the neutral or ground circuit. A fuse in the neutral or ground circuit could result in an electrical shock.
- **DO NOT** use an extension cord with this appliance.
- **DO NOT** use an adapter plug with this appliance.
- **DO NOT** pinch power cord.

# Important Safety Information



**WARNING** *Warning-*  
**Plastic or nonmetal flexible duct presents a potential fire hazard.**

**Exhaust Ductwork Guidelines:**

- NEVER USE PLASTIC OR NONMETAL FLEXIBLE DUCT.**  
 This can kink, reduce air flow causing service problems, and presents a potential fire hazard.
- Use 4" diameter rigid metal exhaust duct.**  
 Do not use smaller duct. Minimize the length of duct and the number of elbows. Secure joints with duct tape. Do not use screws.
- Clean out previously used exhaust duct.**  
 Replace kinked or crushed sections. Be sure the exhaust hood flap opens and closes freely.
- If flexible duct must be used, use only the type with a stiff sheet metal wall. Do not kink or crush the duct. Do not use flexible duct with a thin foil wall.
- Refer to the installation instruction for additional dryer exhaust information. DC68-02013A

**WARNING**

APPLIANCE GROUNDED TO NEUTRAL CONDUCTOR THROUGH A LINK. IF USED IN A MOBILE HOME OR IF LOCAL CODES DO NOT PERMIT GROUNDING THROUGH THE NEUTRAL, DISCONNECT THE LINK FROM THE NEUTRAL AND USE GROUNDING TERMINAL TO GROUND APPLIANCE IN ACCORDANCE WITH LOCAL CODES. CONNECT NEUTRAL TERMINAL TO BRANCH CIRCUIT NEUTRAL IN USUAL MANNER. IF APPLIANCE IS TO BE CONNECTED WITH A CORD KIT, USE 4-CONDUCTOR CORD.

CONNECT TO INDIVIDUAL BRANCH CIRCUIT WITH MINIMUM SUPPLY-CIRCUIT CONDUCTOR AMPACITY OF 30 AMPS AND 30 AMP MAXIMUM NON-TIME DELAY FUSE, DELAY FUSE OR CIRCUIT BREAKER. THIS APPLIANCE MUST BE GROUNDED ACCORDING TO THE REQUIREMENTS OF NATIONAL AND LOCAL CODES IN ORDER TO AVOID THE POSSIBILITY OF HAZARD DUE TO ELECTRICAL SHOCK.

**CAUTION**

A CLOTHES DRYER PRODUCES COMBUSTIBLE LINT AND SHOULD BE EXHAUSTED OUTDOORS, OR IF THE CLOTHES DRYER IS NOT EXHAUSTED OUTDOORS, THE DEFLECTOR, PART NO. 3-03736, SHOULD BE INSTALLED OVER THE EXHAUST OPENING. SEE INSTALLATION INSTRUCTIONS. DC68-02015A



# Important Safety Information

**⚠ WARNING ⓘ**

THIS CONTROL BOARD IS INTENTIONALLY NOT GROUNDED AND MAY PRESENT A RISK OF ELECTRIC SHOCK ONLY DURING SERVICING. SERVICE PERSONNEL — DO NOT CONTACT THIS PART WHILE APPLIANCE IS ENERGIZED.

PC668-02005A



# General Information

## Model Identification

Complete registration card and promptly return. If registration card is missing:

- For Maytag product call 1-800-688-9900 or visit the Web Site at [www.maytag.com](http://www.maytag.com)
- For product in Canada call 1-866-587-2002 or visit the Web Sites at [www.maytag.com](http://www.maytag.com) or [www.jennair.com](http://www.jennair.com)

When contacting provide product information located on rating plate. Record the following:

Model Number: \_\_\_\_\_  
Manufacturing Number: \_\_\_\_\_  
Serial or S/N Number: \_\_\_\_\_  
Date of purchase: \_\_\_\_\_  
Dealer's name and address: \_\_\_\_\_



Serial Label is located in the lower center of the door opening and back panel.

## Service

Keep a copy of sales receipt for future reference or in case warranty service is required. To locate an authorized servicer:

- For Maytag product call 1-800-462-9824 or visit the Web Site at [www.maytag.com](http://www.maytag.com)
- For product in Canada call 1-866-587-2002 or visit the Web Site at [www.maytag.com](http://www.maytag.com)

Warranty service must be performed by an authorized servicer. We also recommend contacting an authorized servicer, if service is required after warranty expires.

## Parts and Accessories

Purchase replacement parts and accessories over the phone. To order accessories for your product call:

- For Maytag product call 1-800-462-9824 or visit the Web Site at [www.maytag.com](http://www.maytag.com)
- For product in Canada call 1-866-587-2002 or visit the Web Sites at [www.maytag.com](http://www.maytag.com) or [www.jennair.com](http://www.jennair.com)

## Extended Service Plan

We offer long-term service protection for this new oven.

- Dependability Plus<sup>SM</sup> Extended Service Plan is specially designed to supplement Maytag's strong warranty. This plan covers parts, labor, and travel charges.

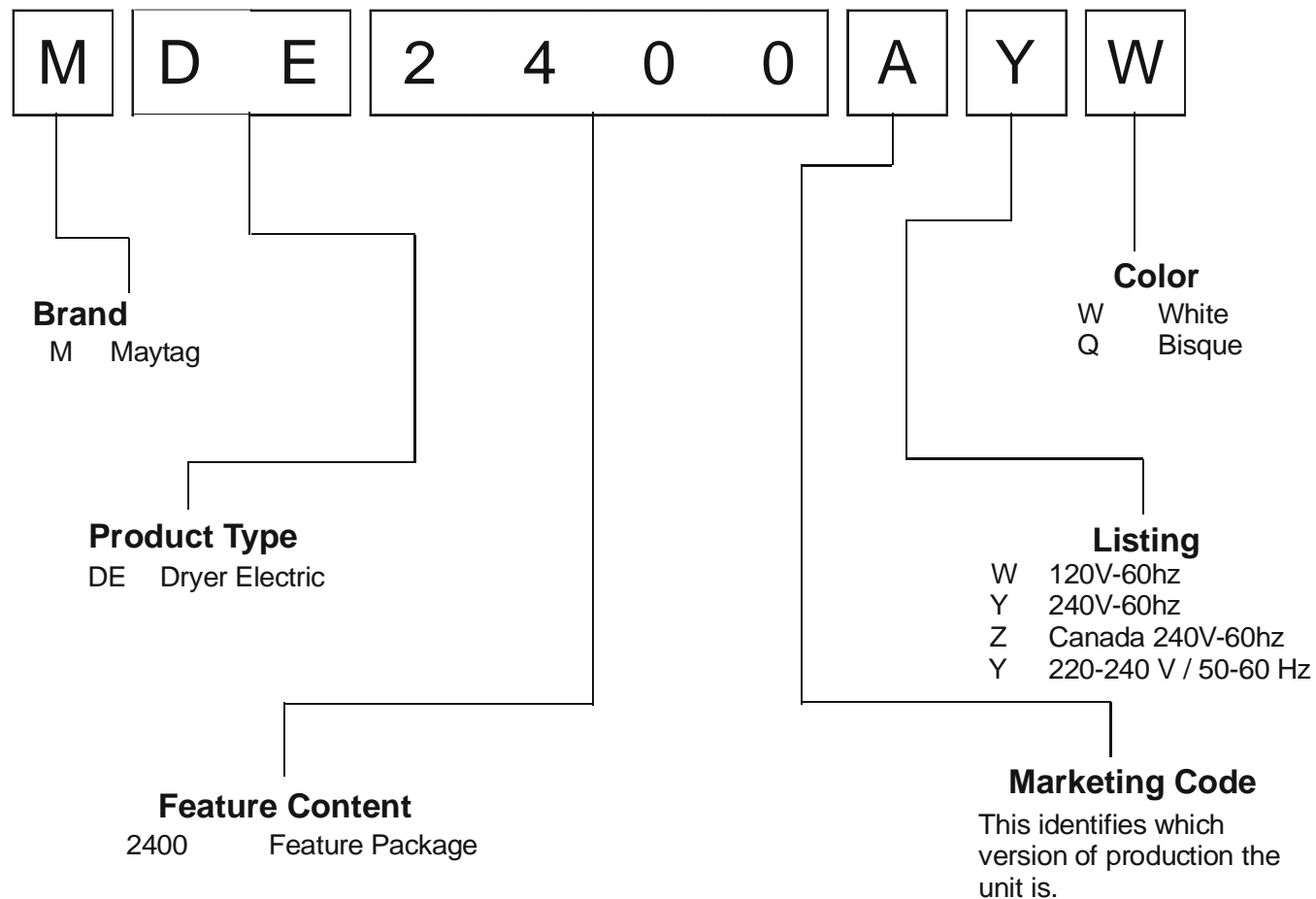
Call 1-800-925-2020 for information.



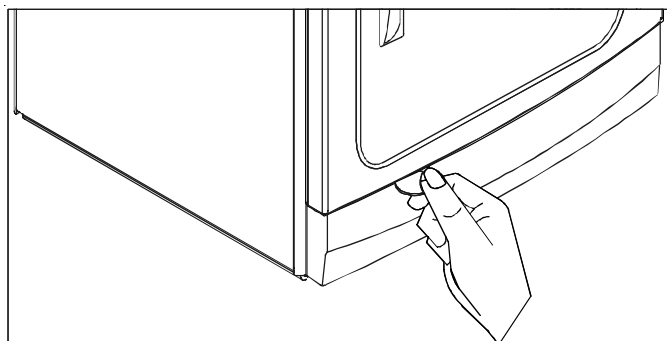


# General Information

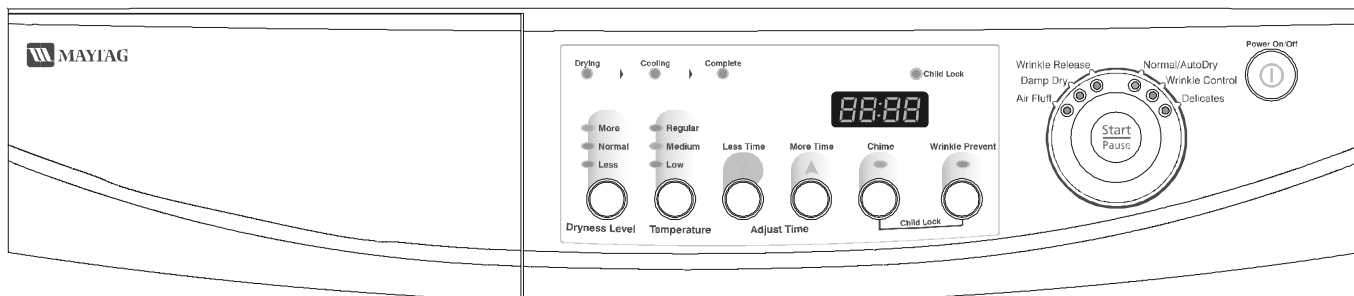
## Compact Dryer Nomenclature



### Troubleshooting Guide Location.



# General Information



FEATURES	MDE2400AYW
Controls	LED
Time Remaining Indicator	•
Start/Pause Pad	•
Dryer Drum	Stainless Steel
Capacity	4.0 Cu.Ft.
Oversize Baffles	3
Large Door Opening	•
Reversible Door Design	•
GentleBreeze Drying System™	•
High Capacity Blower	100 CFM
Dryness Control	AutoDry
Adjustable Degrees of Dryness	150°/145°/140°
Temperature Settings	4
Low Temperature Setting	140°
Medium Temperature Setting	145°
Regular Temperature Setting	150°
Time Dry Cycle	•
Fabric Selections	
Normal/AutoDry	•
Wrinkle Control Cycle	•
Delicates Cycle	•
Air Fluff Cycle	•
Damp Dry Cycle	•
Wrinkle Release Cycle	•
Wrinkle Prevent Option	•
End-of-Cycle Chime	On/Off
Child Lock Option	•
Suspension	3-Point
Top	Laminate
Cabinet	Tri-Coat
<b>DIMENSIONS</b>	
Width	23.75 in.
Height	33.5 in.
Depth	23.75 in.
Depth With Door Open 90°	38.25 in.

# Troubleshooting Procedures



## WARNING

To avoid risk of electrical shock, personal injury or death, disconnect power to unit before servicing, unless testing requires power.

### Will Not Run

#### Will not start or run:

- All wires are hooked up to their corresponding terminals.
- Dryer is plugged in.
- Blown fuse or circuit breaker.
- Door switch functional...door closed. Check for error code 3 (See Tech Sheet for code definition).
- Start/Pause switch functional.
- Control Board operational.
- Drive motor functional.
- Check motor capacitor.

#### Motor runs/ tumbler will not turn:

- Belt off or broken/damaged.
- Idler tension spring too weak or stretched.
- Idler pulley jammed or stuck.

#### Runs a few minutes and then stops:

- Lint buildup around drive motor.
- Low voltage present.
- Blower impeller blocked in blower housing.
- Drive motor - start switch contacts stuck closed.

#### Blows fuses or trips circuit breaker:

- The amperage readings are at 240 volts. One line will be 24 amps and the other line will be 21 amps. The neutral line will be at 3 amps. If the above amperages are present, then the house wiring, fuse box or circuit breaker should be suspect.
- Shorted heating element to housing.
- Incorrect wiring or a wire shorting to ground.
- Drive motor winding shorting to ground.

### Will Not Dry

#### Will not heat (motor runs):

- Open heating element.
- Hi-Limit trips easily or is open.
- Regulating thermostat trips easily or is open.
- Membrane switch open.
- Check Thermistor.

### Improper drying/clothes wrinkled/ rough texture/long dry time:

- Lint filter is not clean.
- Restriction in exhaust.
- Outside exhaust hood damper door stuck closed.
- Exhaust too long, too many elbows, flex ductwork installed.
- Poor intake air available for the dryer.
- Incorrect tumbler speed. Tumbler belt slipping.
- Blower impeller bound; check for foreign material in blower area.
- Customer overloading dryer.
- Check clothing labels for fabric content and cycle selected.
- Clothes too wet due to insufficient spin out by washer.

### Will Not Shut Off

- Check Membrane Pad.
- Check Electronic Control Board.

### Troubleshooting the electronic control circuit:

- Check for miswiring of the electrical connector at the electronic control board.

### Noisy and/Or Vibration

- **Thumping** Check for loose tumbler baffle, rear tumbler roller(s) worn or misaligned, out-of-round tumbler or high weld seam on tumbler.
- **Ticking** Check for loose wire harness or object caught in blower wheel area.
- **Scraping** Check for front or rear bulkhead felt seal out of position or worn tumbler front bearings.
- **Roaring** Check for blower wheel rubbing on blower housing or bad motor bearings.
- **Popping or squealing sound.** Check for a sticky or frayed belt.

# Troubleshooting Procedures

## ⚠ WARNING

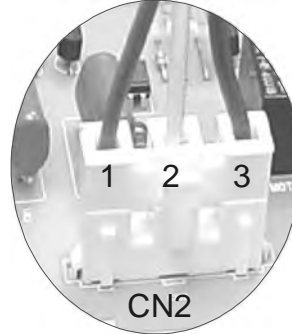
To avoid risk of electrical shock, personal injury or death, disconnect power to unit before servicing, unless testing requires power.

### Component Electrical Testing

#### Thermistor resistance 60k ohms.



#### Motor check.



Disconnect harness and test White wire Pin 2 to Red wire Pin 1. Approx 35 ohms  $\pm$  10%

Disconnect harness and test Blue wire Pin 3 to White wire Pin 2. Approx 29 ohms  $\pm$  10%

#### Resetable Thermal Fuse

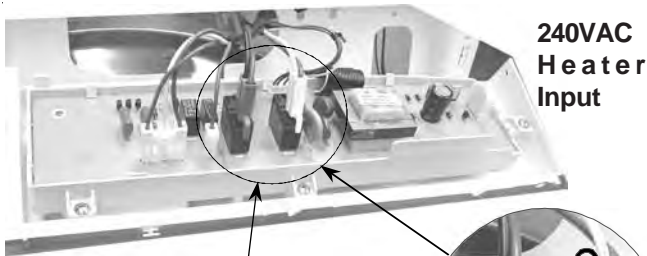
Less than 1 ohm

#### High Limit Thermostat

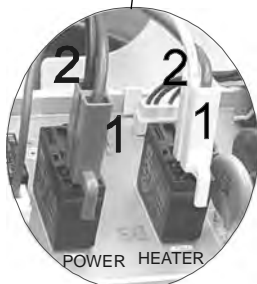
Less than 1 ohm



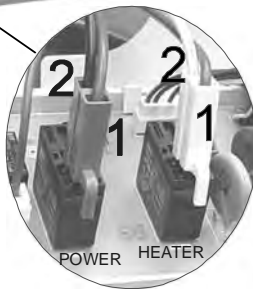
#### Heater check including thermostats.



240VAC  
Heater  
Input



POWER HEATER



POWER HEATER

Disconnect harness and test White wire Pin 2 on Heater Relay to Blue wire Pin 1 on Power Relay. Approx 26 ohms  $\pm$  5%

Red wire Pin 1 on Heater Relay to Black wire Pin 2 on Power Relay

#### Heater check.

To check the heating element only, disconnect the red wire from the thermostat and check across the red wire and the blue wire on the power relay. Heater resistance is approximately 26 ohms. To check the heating element and thermostats from the console, check across the blue wire on the power relay and the white to the heater relay with the connector removed.



Heater Power

# Troubleshooting Procedures



## WARNING

To avoid risk of electrical shock, personal injury or death, disconnect power to unit before servicing, unless testing requires power.

### Thermistor check.



Remove plug and test from Red wire Pin 1 to White wire Pin 6. Approx 60K ohms @ room temp.

### Door Switch check.

Disconnect harness and test Blue wire Pin 2 to Blue Wire Pin 4. Less than 1ohm



# Disassembly Procedures

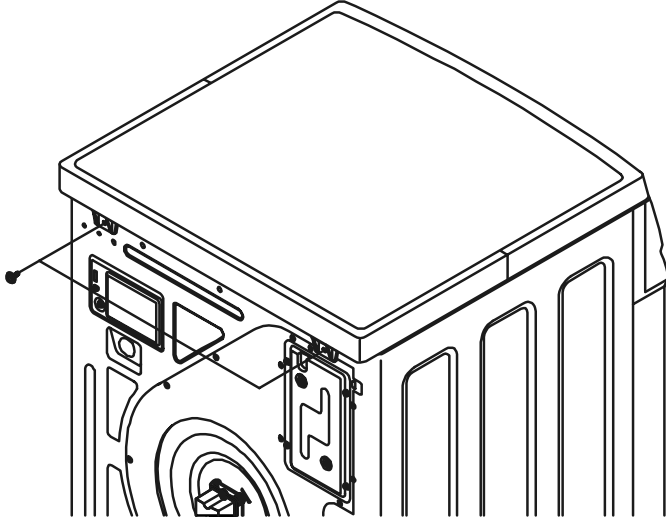


**WARNING**

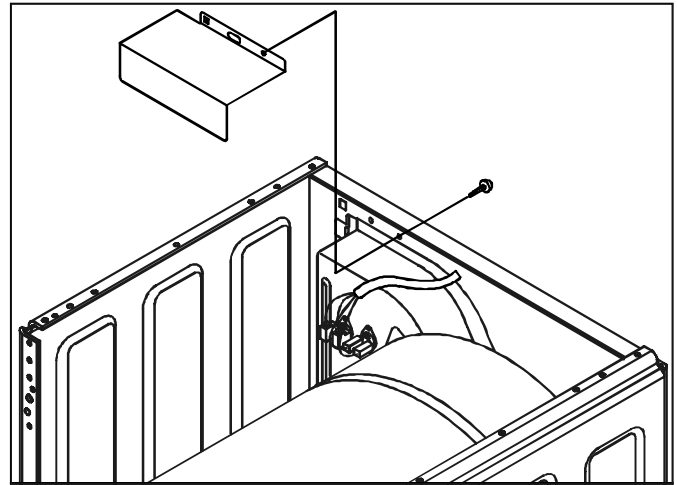
To avoid risk of electrical shock, personal injury or death; disconnect power to unit before servicing.

## Top Removal

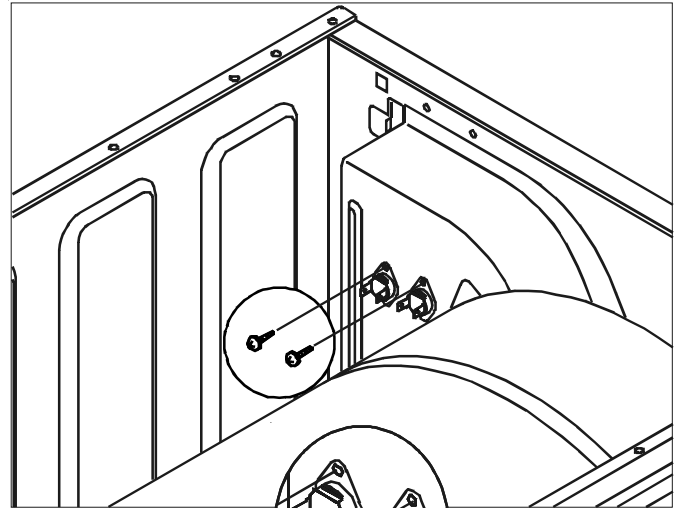
1. Disconnect power supply to unit.
2. Remove 2 screws from dryer back.



3. Slide Top Cover to the rear of the dryer and separate from cabinet.



4. Remove screws and Thermostats.

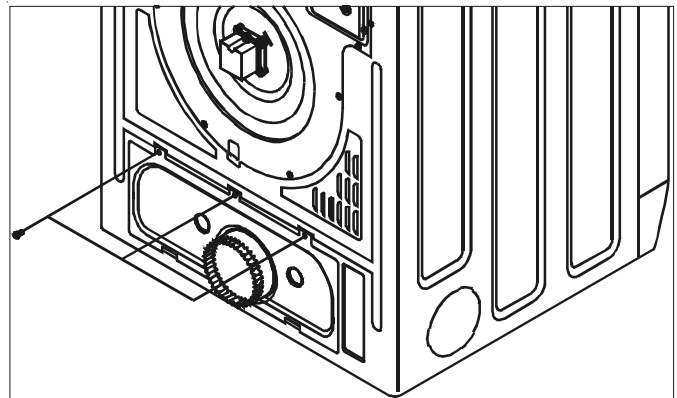


Resetable Thermal Fuse

Hi-Limit

## Back Cover and Vent Tube Removal

1. Disconnect power supply to unit.
2. Remove 3 screws and Back Cover.



## Thermostat Removal

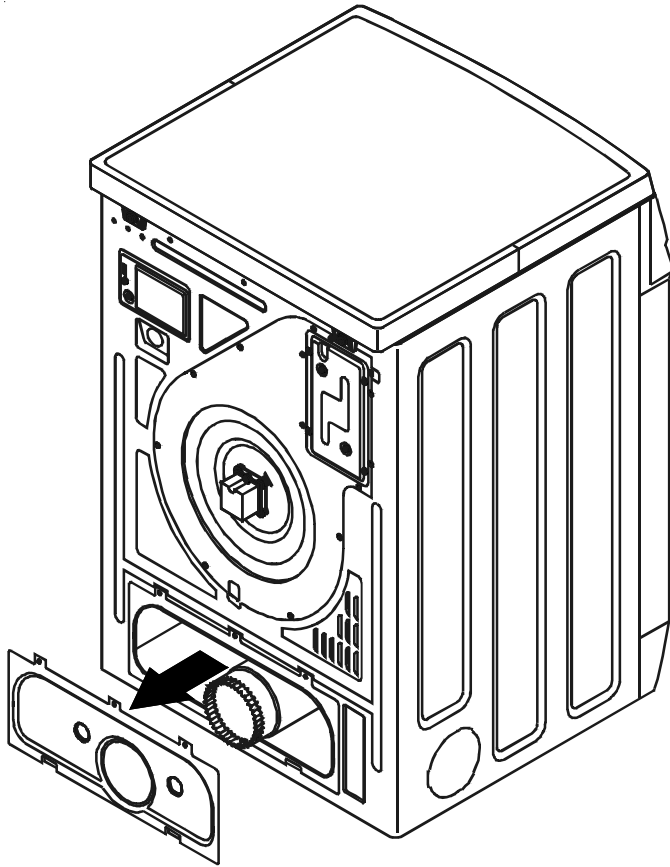
1. Disconnect power supply to unit.
2. Remove Top Cover.
3. Remove screws and Heater Shield.



# Disassembly Procedures

## **WARNING**

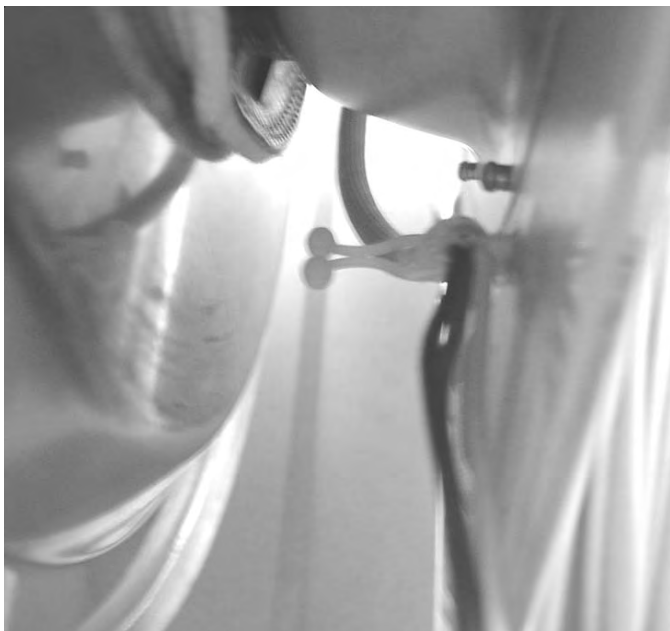
To avoid risk of electrical shock, personal injury or death; disconnect power to unit before servicing.



3. Pull Vent Tube from the exhaust port on the blower outlet duct.

### Heater Removal

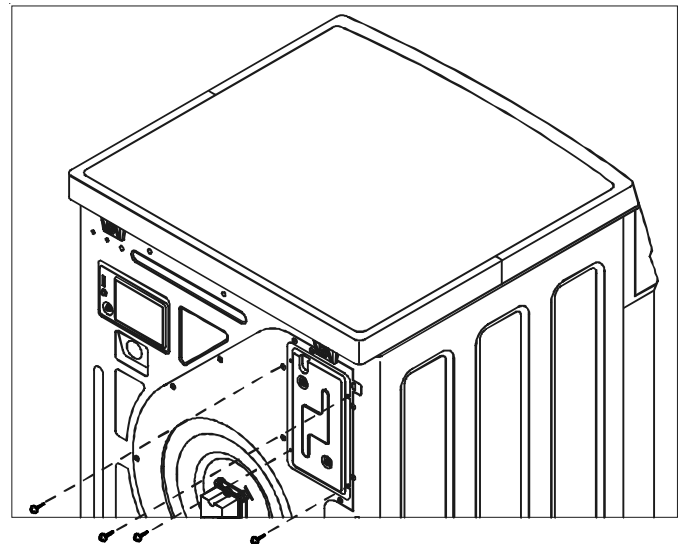
1. Disconnect power supply to unit.
2. Remove Back Cover.
3. Slip Heater Harness from wire tie on the dryer back.



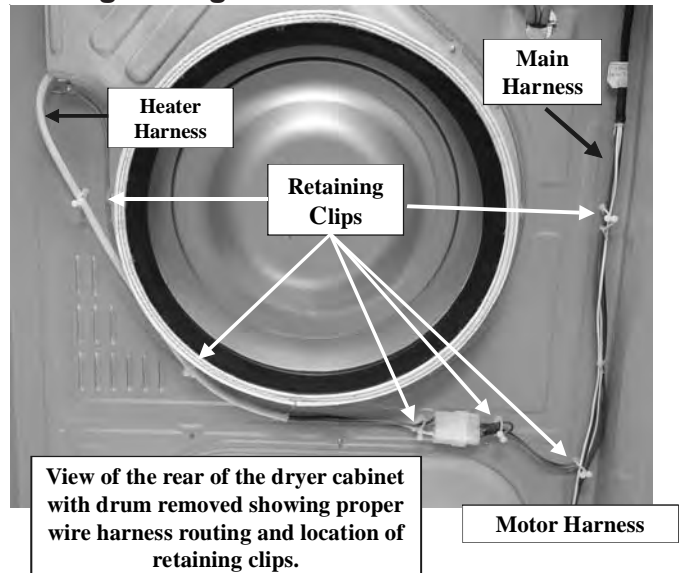
4. Disconnect Heater Harness plug.



5. Remove 4 screws and Heater Assembly from dryer back.



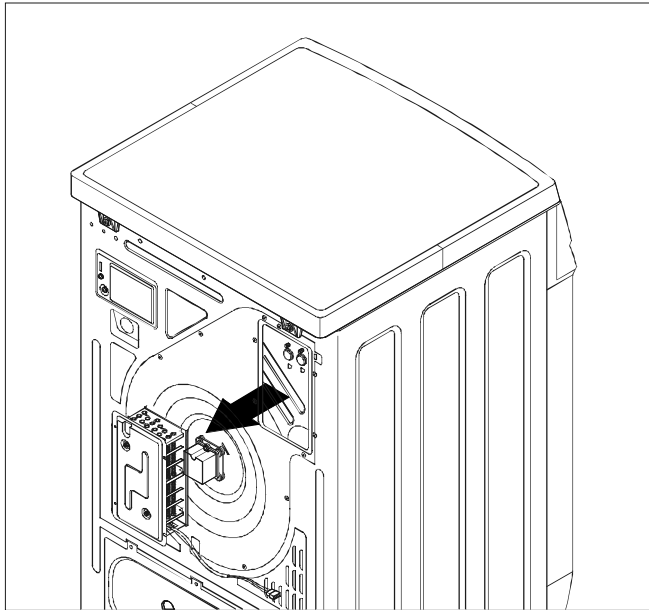
### Wiring Configuration



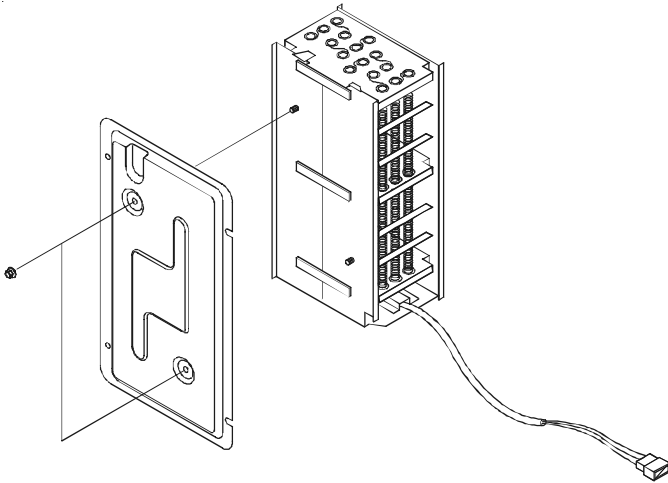
# Disassembly Procedures

## **WARNING**

To avoid risk of electrical shock, personal injury or death; disconnect power to unit before servicing.



6. Remove 2 nuts attaching heater element to cover.



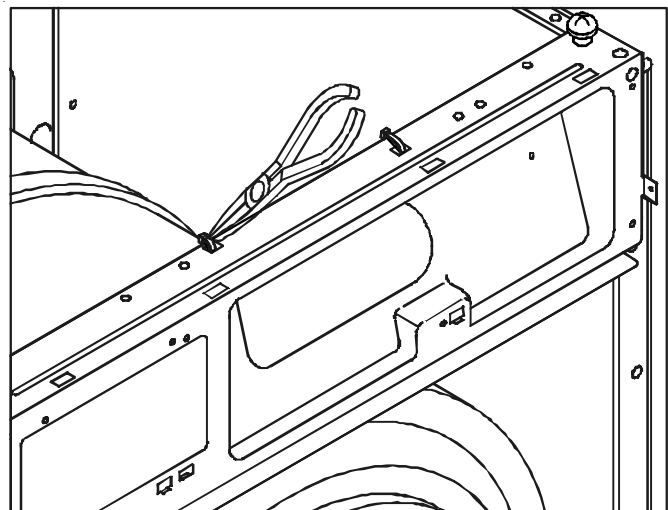
Note: There are 2 washers between the heater element housing and the heater cover.



### Console Removal

1. Disconnect power supply to unit.
2. Remove Top Cover.
3. Snip wire ties on the Console wire harness.

**CAUTION:** Do not cut wire tie without having a replacement on hand. Never reassemble dryer without wire ties in place.

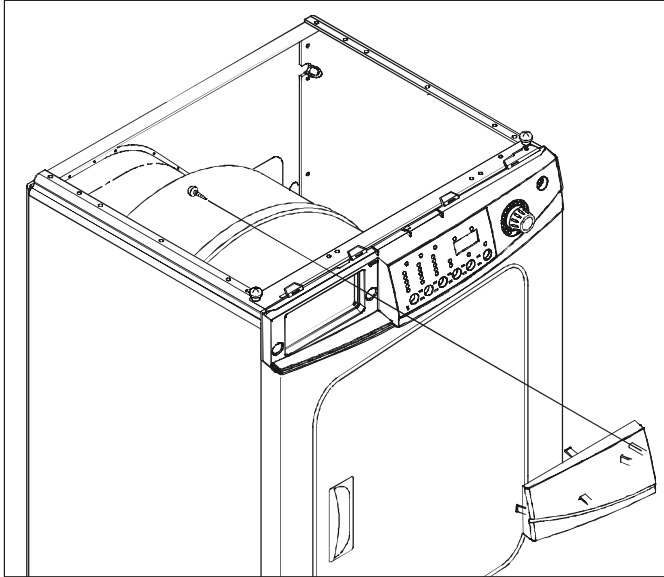


# Disassembly Procedures

## **WARNING**

To avoid risk of electrical shock, personal injury or death; disconnect power to unit before servicing.

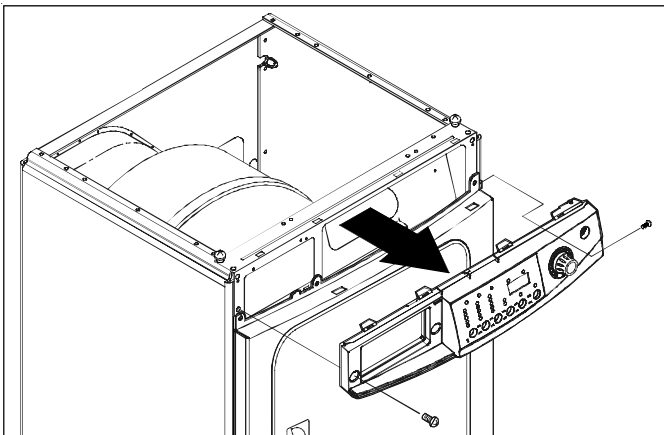
4. Remove screw inside the dryer attaching the Console to the cabinet.



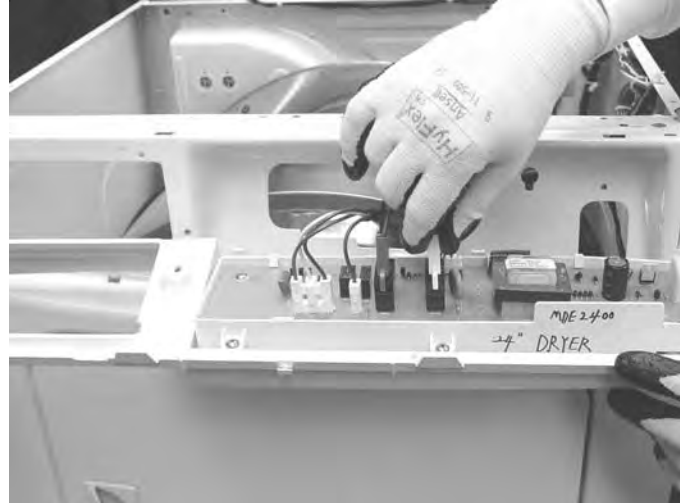
5. Unlatch the Console Blank.



6. Remove screw on front face and right side of Console.

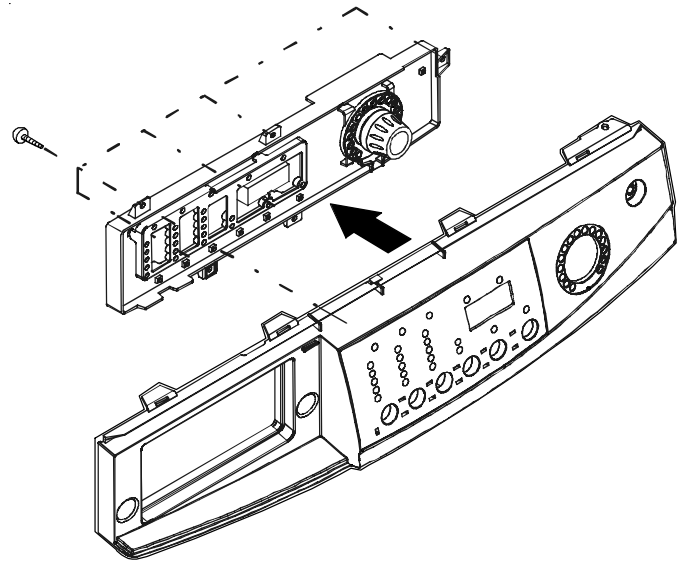


7. Roll Console forward to access wiring on circuit board.



## **Circuit Board Removal**

1. Disconnect power supply to unit.
2. Remove the dryer top.
3. Remove Console.
4. Remove 5 screws retaining the Circuit Board.



# Disassembly Procedures



**WARNING**

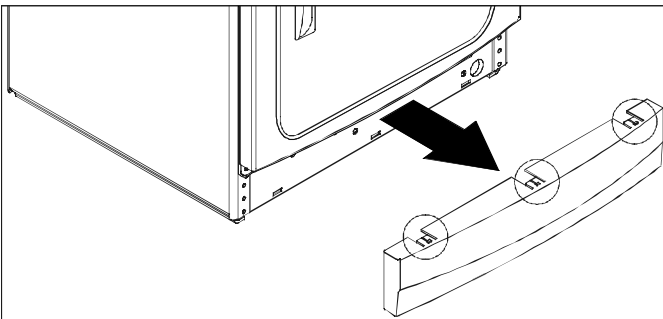
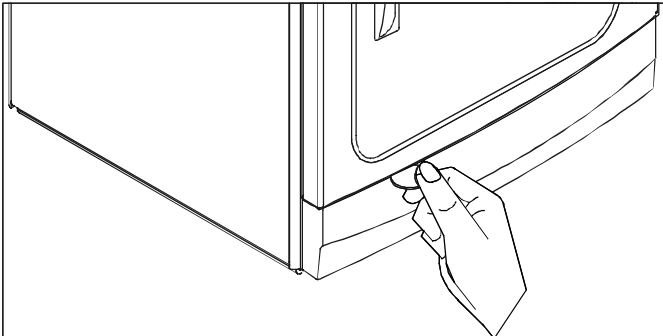
To avoid risk of electrical shock, personal injury or death; disconnect power to unit before servicing.

5. Lift Circuit Board from Console housing.



## Front Panel/Door/Door Switch/Drum Glide Removal

1. Disconnect power supply to unit.
2. Remove the dryer Top Cover.
3. Remove Console.
4. Remove the Toe Panel. Using a plastic Putty Knife or large coin, disengage the latches located approximately 2" in on both sides and in the center.



5. Remove 1 upper screw attaching the Door Hinge to the Front Panel. Loosen but do not remove the 1 lower screw attaching the Door Hinge to the Front Panel. Repeat this step for the lower hinge.



6. Lift and remove door. Remove remaining hinge screws.



7. Do not remove the 2 upper screws, opposite the hinge side



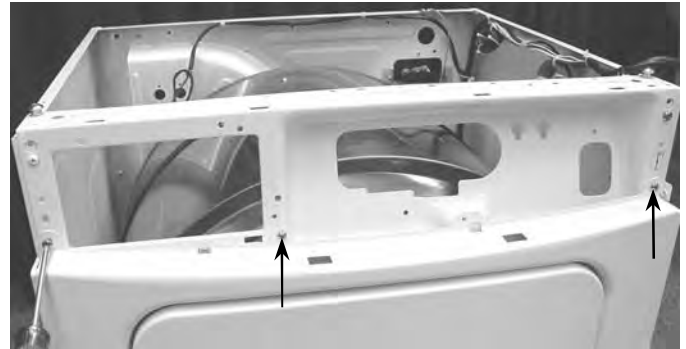


# Disassembly Procedures

 **WARNING**

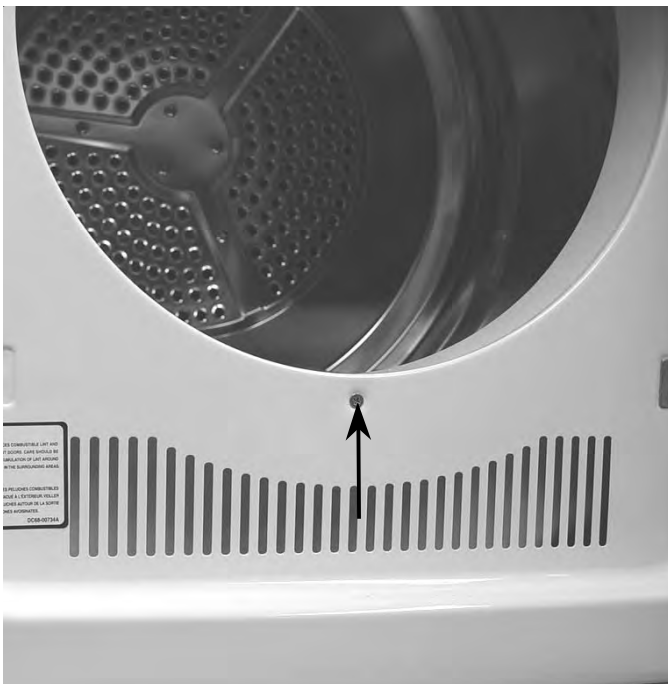
To avoid risk of electrical shock, personal injury or death; disconnect power to unit before servicing.

8. Remove the 2 lower screws opposite hinge side.



12. Lift Front Panel from hanger tab on cabinet.  
13. Disconnect the Door Switch wire harness.

9. Do not remove the center screw.



10. Remove 4 Front Panel retaining screws under Toe Panel .



11. Remove 3 Front panel retaining screws located on the top of the Front Panel.

# Disassembly Procedures

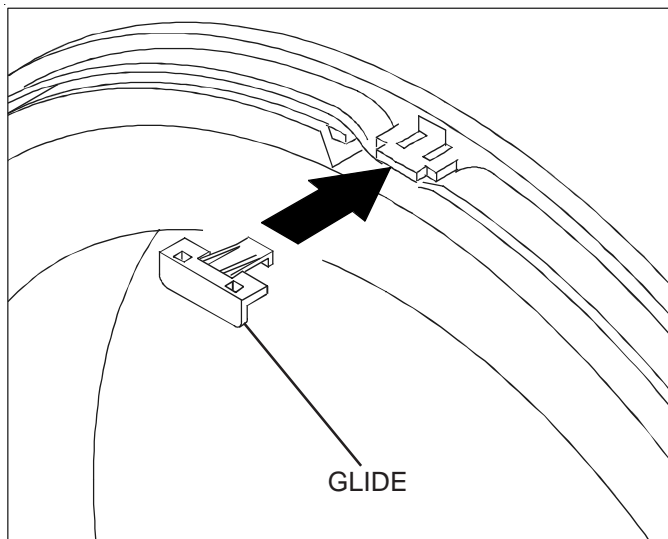
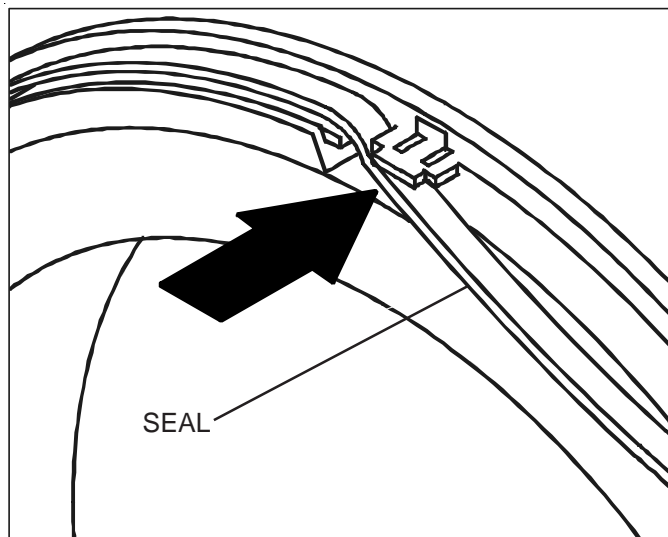
## **WARNING**

To avoid risk of electrical shock, personal injury or death; disconnect power to unit before servicing.

**CAUTION:** When reassembling Front Panel route the Light Socket wire harness behind the Door Switch. This prevents the harness from contacting the rotating drum during dryer operation.

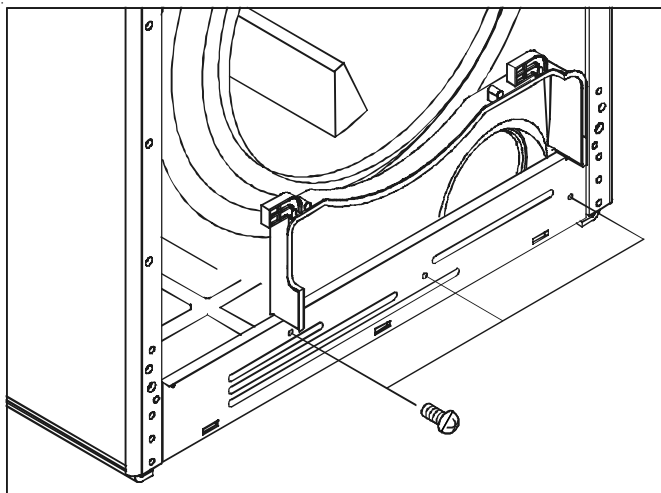


14. Service Front Drum Seal and Glides as needed.

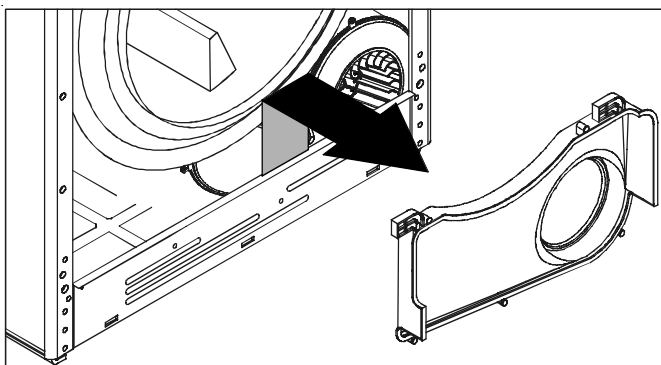


## Drive Belt Removal

1. Disconnect power supply to unit.
2. Remove dryer Top Cover.
3. Remove Console.
4. Remove Front Panel.
5. Remove 3 screws attaching Blower Inlet Panel to cabinet.



6. Lift Inlet Panel from dryer.



7. Remove 3 screws retaining Back Cover to cabinet.
8. Release tension on belt by moving Tension Pulley toward the Drive Motor.





# Disassembly Procedures

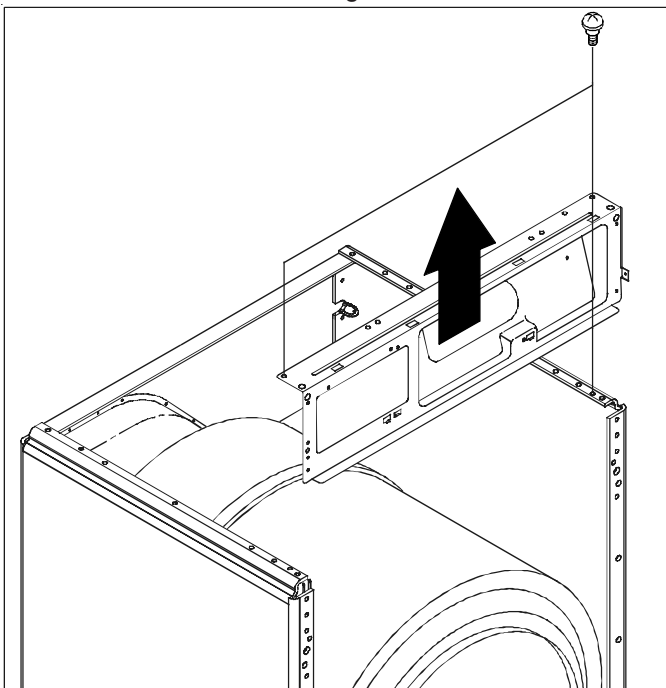
 **WARNING**

To avoid risk of electrical shock, personal injury or death; disconnect power to unit before servicing.

- 9. Slide belt forward along drum to the front of the dryer and remove.

## Drum Removal

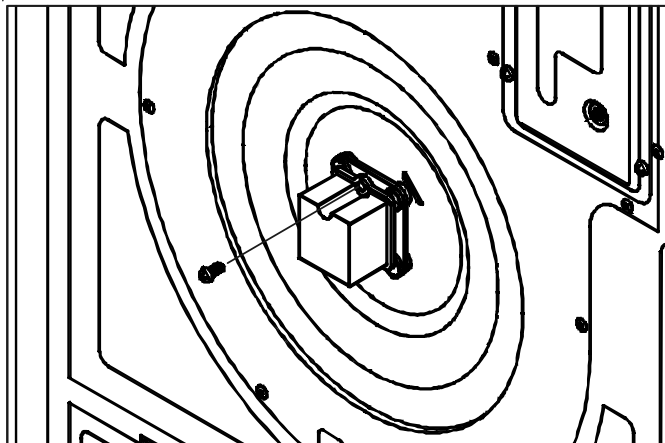
- 1. Disconnect power supply to unit.
- 2. Remove dryer Top Cover.
- 3. Remove Console.
- 4. Remove Front Panel.
- 5. Remove Rear Panel.
- 6. Remove Belt.
- 7. Remove 4 screws retaining Front Cross Brace.



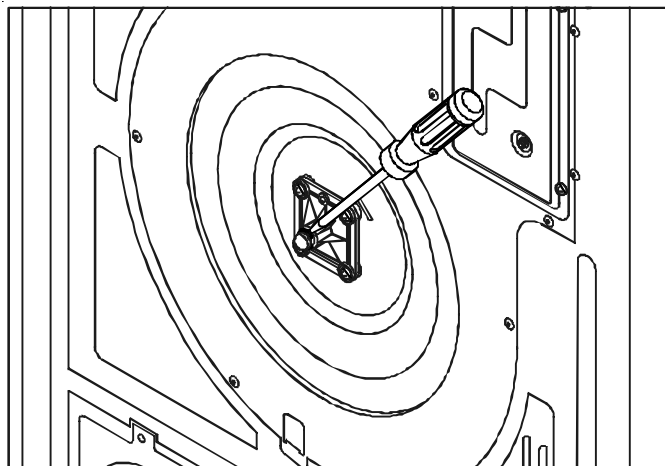
- 8. Lift Front Cross Brace from dryer.



- 9. Remove 1 screw retaining the Bearing Dust Cap to the cabinet back.



- 10. Remove Retainer Ring on drum shaft.

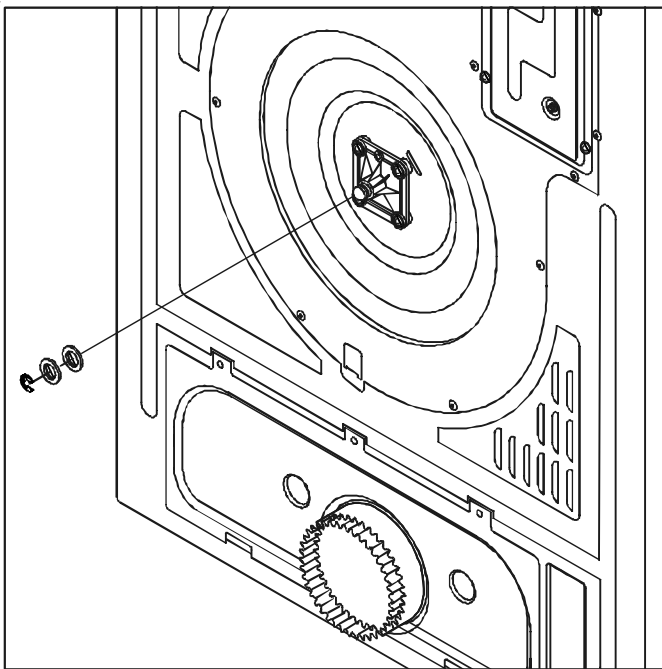


## Disassembly Procedures



To avoid risk of electrical shock, personal injury or death; disconnect power to unit before servicing.

11. Slide Retainer Ring and washers from drum shaft.

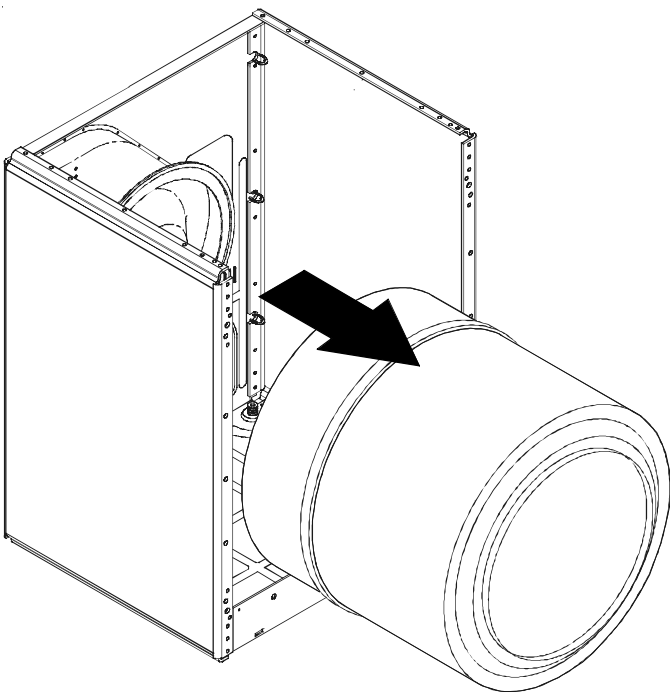


### Rear Seal Removal

1. Disconnect power supply to unit.
2. Remove dryer Top Cover.
3. Remove Console.
4. Remove Front Panel.
5. Remove Rear Panel.
6. Remove Belt.
7. Remove Drum.
8. Pull Rear Seal away from dryer back.



12. Lift drum from dryer cabinet.



### Motor/Blower Removal

1. Disconnect power supply to unit.
2. Remove dryer Top Cover.
3. Remove Console.
4. Remove Front Panel.
5. Remove Rear Panel.
6. Remove Belt.
7. Remove Drum.
8. Release Tension spring from Motor Assembly.

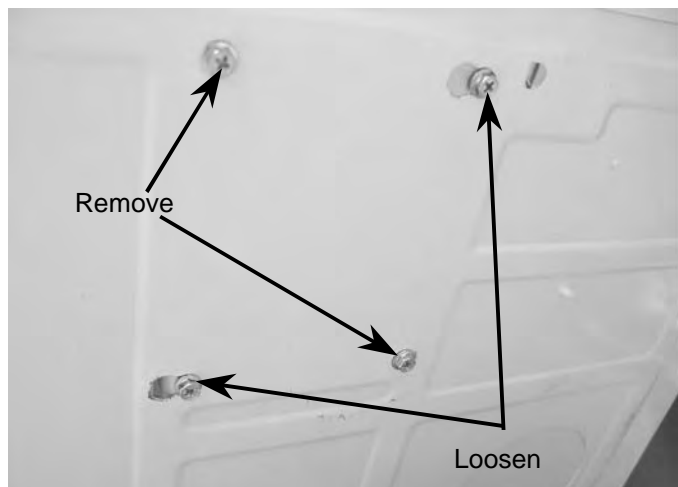


# Disassembly Procedures

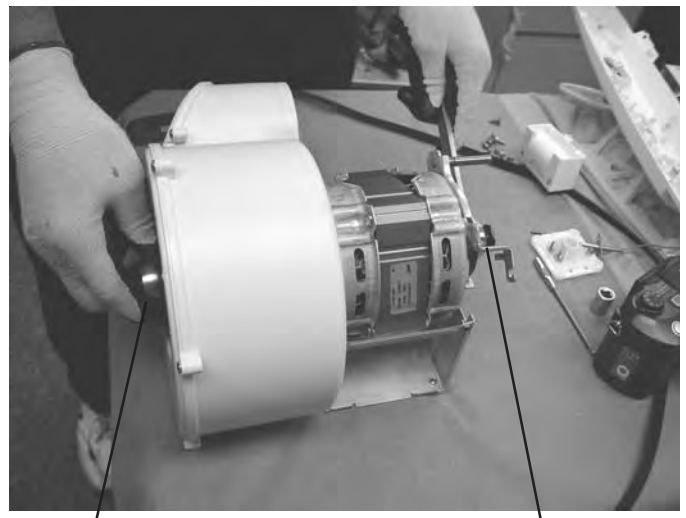
 **WARNING**

To avoid risk of electrical shock, personal injury or death; disconnect power to unit before servicing.

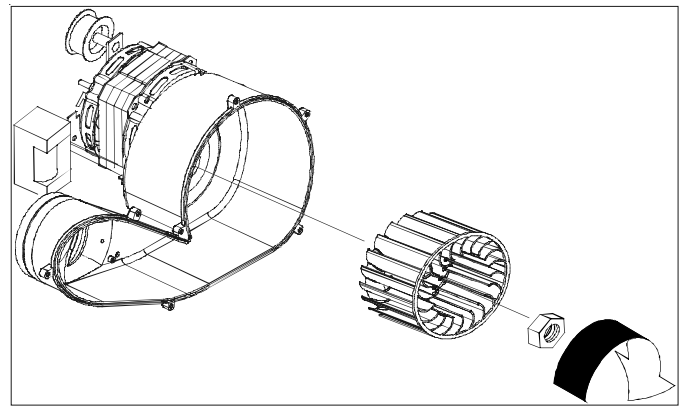
9. Remove 2 of the 4 screws retaining the motor bracket to the dryer base. Loosen but do not remove the remaining 2 screws and slide Motor/Blower Assembly till the screw heads align with the clearance hole in the dryer base.



12. Remove Blower Wheel Nut.

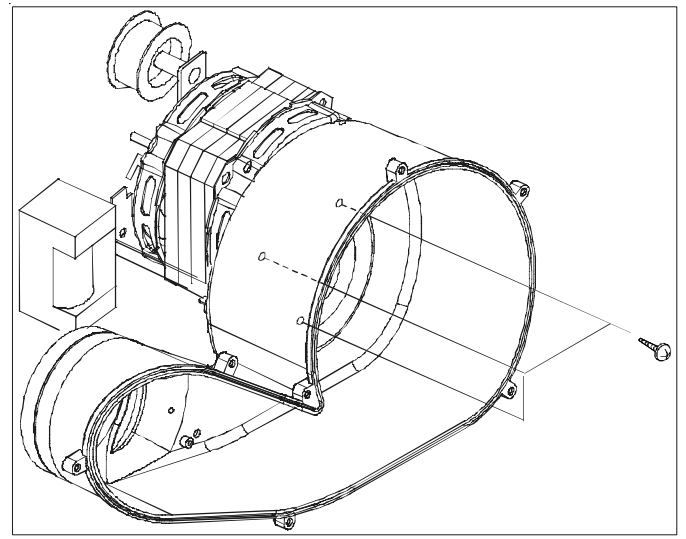
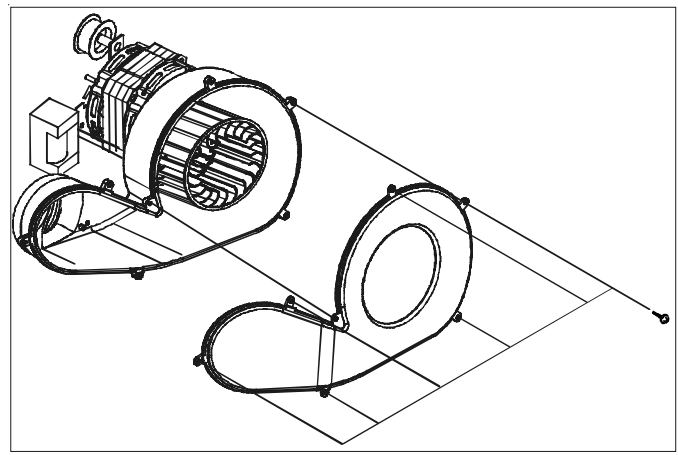


10. Remove Thermistor or Capacitor for servicing.



13. Remove 3 screws retaining Blower Housing to Motor face.

11. Remove 7 screws to Disassemble Motor/Blower Assembly Front Cover.

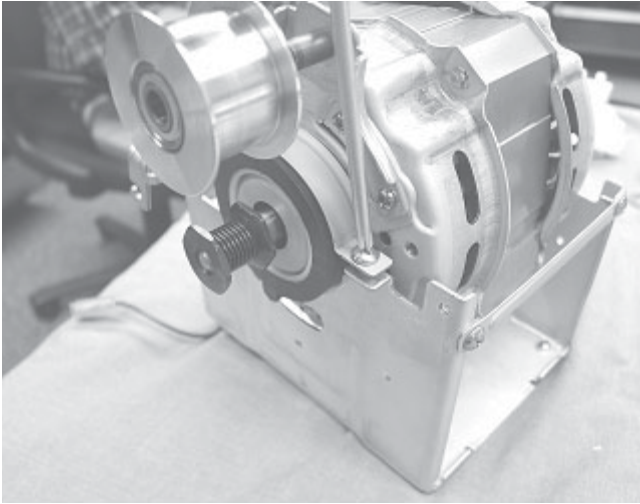


## Disassembly Procedures

### **WARNING**

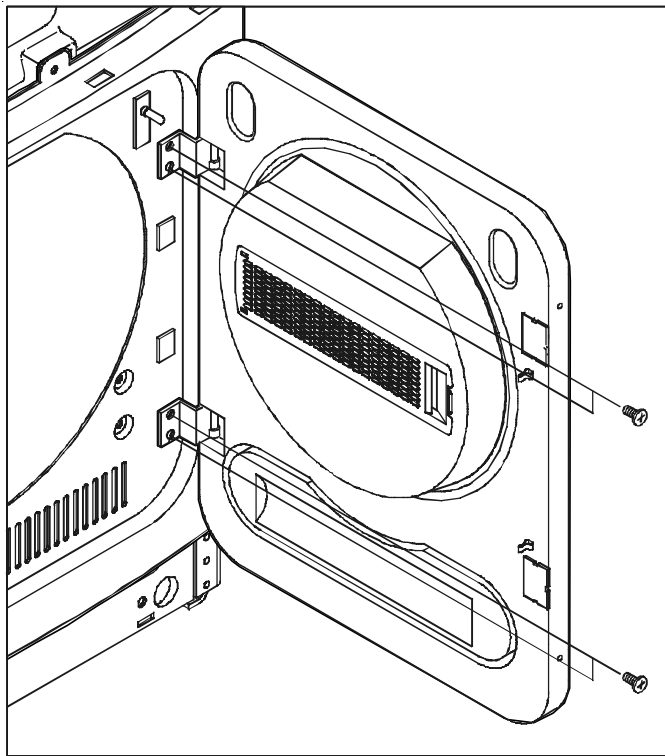
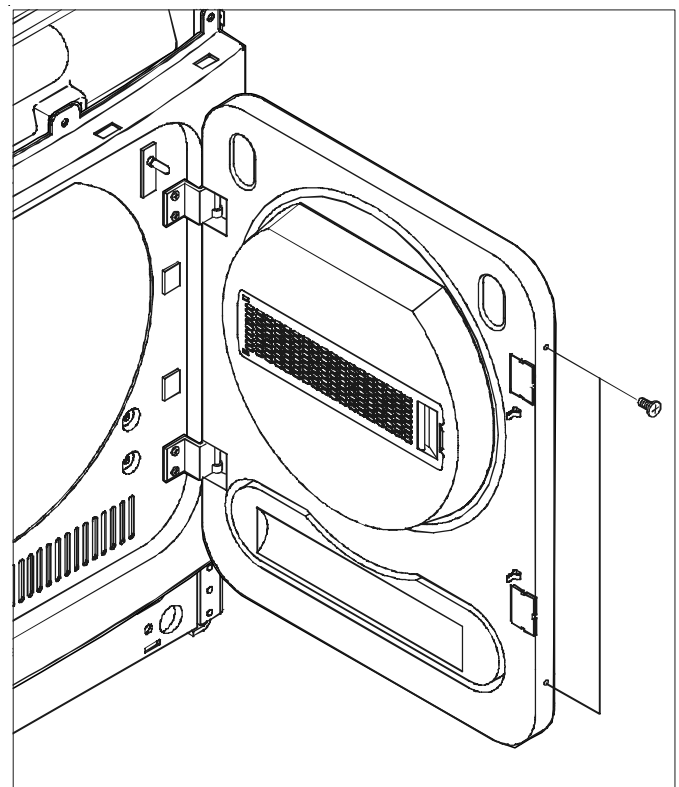
To avoid risk of electrical shock, personal injury or death; disconnect power to unit before servicing.

14. Remove screws retaining Motor to Motor Bracket.



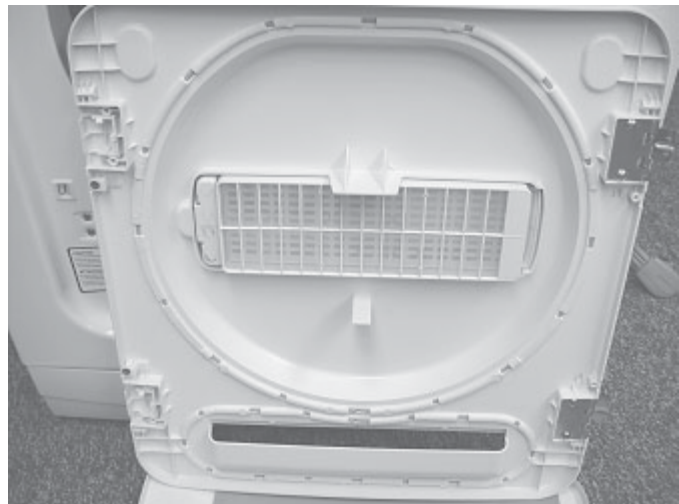
### **Door Reversal**

1. Disconnect power supply to unit.
2. Remove top hinge screw. Loosen but do not remove lower hinge screw on the top hinge. Repeat procedure for the lower hinge.
3. Lift the door and remove from dryer.



5. Remove door skin to expose inner door panel.

4. Remove 4 screws around perimeter of door.





## Disassembly Procedures



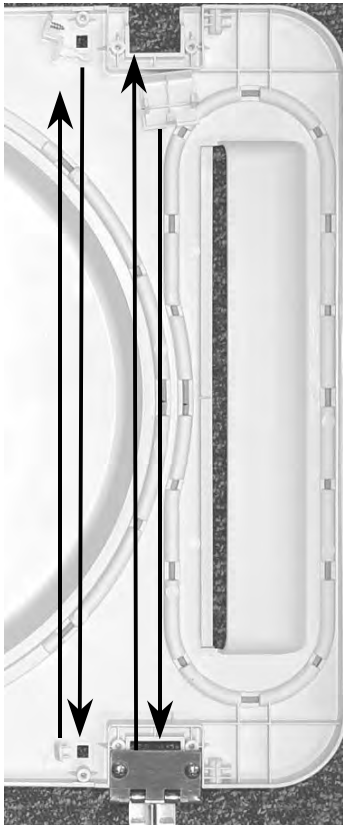
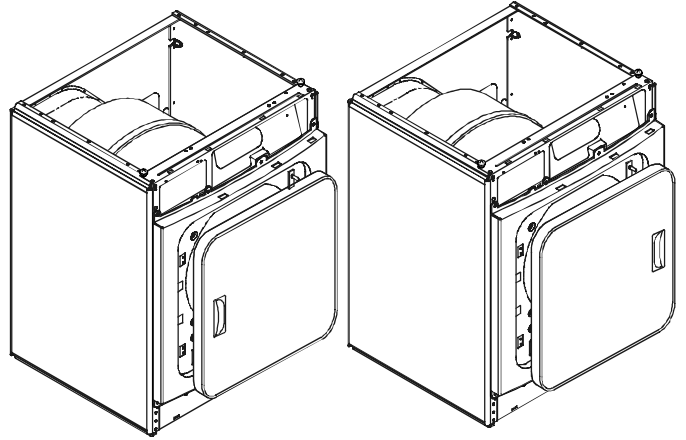
### WARNING

To avoid risk of electrical shock, personal injury or death; disconnect power to unit before servicing.

6. Remove the internal door and hinge components and reassemble them to the opposite side of the Inner Door Panel.



7. Reassemble the outer door skin to the Inner Door Panel.
8. Reassemble door to Dryer.

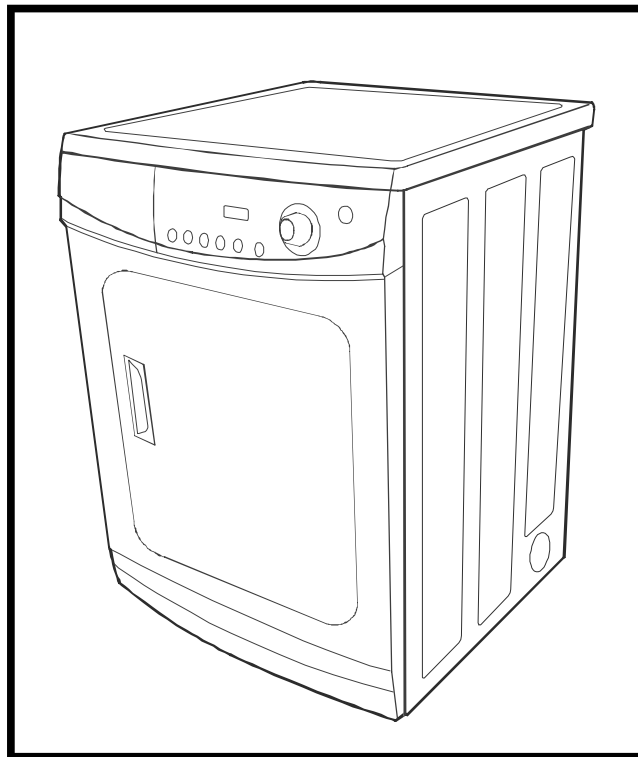


# Appendix A





**AUTOMATIC DRYER INSTALLATION INSTRUCTIONS**  
**MISE EN SERVICE SÉCHEUSE AUTOMATIQUE**  
**INSTRUCCIONES DE INSTALACIÓN DE LA SECADORA**  
**AUTOMÁTICA**



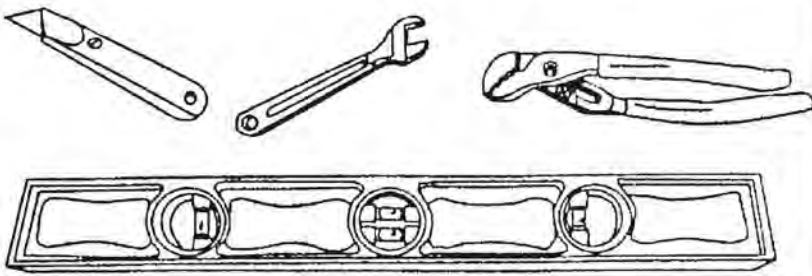
*The installation, including a proper exhaust system,  
is the responsibility of the owner.*

*La responsabilité de la mise en service, y compris le système  
d'évacuation qui convient, revient au propriétaire.*

*Es responsabilidad del propietario la instalación correcta,  
incluso la del sistema de escape.*

**LEAVE THESE INSTRUCTIONS WITH THE OWNER**  
**REMETTRE CES INSTRUCTIONS AU PROPRIÉTAIRE**  
**DEJE ESTAS INSTRUCCIONES CON EL PROPIETARIO**

## Tools needed for installation



- Cutting knife
- Nut drivers
- Level
- Duct tape
- Crescent wrench

**Proper installation is the responsibility of the owner.**

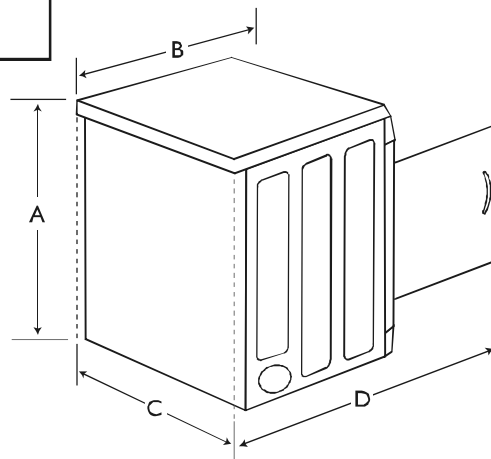
**HOWEVER, SERVICE CALLS PERFORMED AS A RESULT OF POOR SET-UP, ADJUSTMENT AND CONNECTION ARE THE RESPONSIBILITY OF THE INSTALLER.**

Make sure you have everything necessary for proper installation.

1. GROUNDED ELECTRICAL OUTLET is required. See Electric Requirements.
2. POWER CORD for electric dryers (except Canada).
3. EXHAUST SYSTEM – must be rigid metal or flexible stiff walled metal exhaust ducting. See Exhaust Requirements.

## CABINET DIMENSIONS

DRYER DIMENSIONS	INCH (CM)
A. Height – Overall*	33.25" (84.5)
B. Depth to Front of Control Dial	23.75" (60)
C. Width	23.5" (59.7)
D. Depth – With Dryer Door Open 90°	40" (101.6)



**Note:**

The height of the dryer from top to floor is 33 1/4" this includes the leveling leg screwed all the way in. The customer can unscrew the leg out an additional 7/8" for a total overall height of 34 1/8".

## IMPORTANT TO INSTALLER

Please Read The Following Instructions Carefully Before Starting To Install The Dryer. These Instructions Should Be Retained For Future Reference.

**REMOVE THE DOOR FROM ALL DISCARDED APPLIANCES SUCH AS DRYERS TO AVOID THE DANGER OF A CHILD SUFFOCATING.**

## LOCATION CONSIDERATIONS

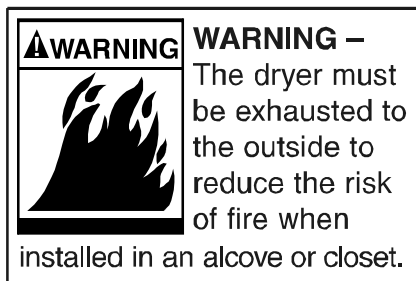
The dryer should be located to permit adequate room in front for loading the dryer, and sufficient room behind the dryer for the exhaust system.

This dryer is factory-ready for rear exhaust. To exhaust out the bottom or left side, use the accessory exhaust kit (see Accessories). Instructions are included with the kit.

It is important to make sure the room has adequate make-up air. The area where the dryer is located must not obstruct the flow of combustion or ventilating air.

THE DRYER **MUST NOT** BE INSTALLED OR STORED IN AN AREA WHERE IT WILL BE EXPOSED TO WATER AND/OR WEATHER. THE DRYER AREA IS TO BE KEPT CLEAR AND FREE FROM COMBUSTIBLE MATERIALS, GASOLINE AND OTHER FLAMMABLE VAPORS AND LIQUIDS. A DRYER PRODUCES COMBUSTIBLE LINT. THE AREA AROUND THE DRYER SHOULD BE KEPT FREE OF LINT.

## ALCOVE OR CLOSET INSTALLATION



- An appliance installed in a closet shall have no other fuel-burning appliance installed in the same closet.
- **WARNING: To reduce the risk of fire, this dryer MUST BE EXHAUSTED TO THE OUTDOORS.** See **EXHAUST INFORMATION** section.
- Minimum clearances between dryer cabinet and adjacent walls or other surfaces are: 0" either side 1" front and rear.
- Closet door must be louvered or otherwise ventilated and must contain a minimum of 60 in<sup>2</sup> (152.5 cm<sup>2</sup>) of open area equally distributed. If this closet contains both a washer and a dryer, doors must contain a minimum of 120 in<sup>2</sup> of open area equally distributed.

## MOBILE HOME INSTALLATION

The installation of the dryer in mobile homes must conform to the Manufactured Home Construction and Safety Standard Title 24 CFR, Part 32-80 {formerly the Federal standard for Mobile Home Construction and Safety, Title 24, HUD (Part 280), 1975} for the United States,) or CSA Standards Z240 (for Canada). When installing a dryer in a mobile home, provisions for anchoring the dryer to the floor must be made. An anchor bracket kit is available with instructions (see Accessories). Locate in an area that has adequate make up air. A minimum of 60 in<sup>2</sup> (152.5 cm<sup>2</sup>) of unobstructed opening is required. All mobile home installations must be exhausted to the outside with the exhaust duct termination securely fastened to the mobile home structure, using materials that will not support combustion. The exhaust duct may not terminate beneath the mobile home. See the section on exhausting for more information.

## EXHAUSTING

Exhausting the dryer to the outside will prevent large amounts of lint and moisture from being blown into the room.

### In the United States:

- Electric dryers located in a confined area such as a bedroom, bathroom, or closet must be exhausted to the outside.
- Electric dryers not located in a confined area may be exhausted to the inside (see nonexhausted installations).

### In Canada:

- All dryers must be exhausted to the outside.

### Outside the U.S. and Canada:

- Refer to local codes.



**WARNING** – plastic or nonmetal flexible duct presents a potential fire hazard.

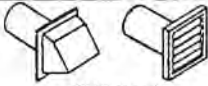

**NEVER USE PLASTIC OR NONMETAL FLEXIBLE DUCT.**

If your existing ductwork is plastic, nonmetal or combustible, replace it with metal. Use only metal exhaust duct that will not support combustion to insure the containment of exhaust air, heat and lint.

## DUCTING REQUIREMENTS

- Use A Minimum Of 4-inch (10.2 Cm) Diameter Rigid Aluminum Or Rigid Galvanized Steel Duct.
- Do not use smaller duct.
- Ducts larger than 4 inches (10.2 cm) in diameter can result in increased lint accumulation. Lint accumulation should be cleaned regularly.
- If flexible metal duct must be used, use the type with a stiff sheet metal wall. Do not use flexible duct with a thin foil wall. Serious blockage can result if flexible metal duct is bent too sharp.
- Never install any type of flexible duct in walls, ceilings or other concealed spaces.
- Keep exhaust duct as straight and short as possible.

- Secure joints with duct tape. Do not use screws.
- DO NOT EXHAUST DRYER INTO ANY WALL, CEILING, CRAWL SPACE OR A CONCEALED SPACE OF A BUILDING, GAS VENT, ANY OTHER COMMON DUCT OR CHIMNEY. THIS COULD CREATE A FIRE HAZARD FROM LINT EXPELLED BY THE DRYER.
- Plastic flexible duct can kink, sag, be punctured, reduce airflow, extend drying times and affect dryer operation.

ELECTRIC DRYERS				
Weather Hood Type				
Recommended			Use only for short run installations	
 4" (10.16cm)			 2 1/2" (6.35cm)	
No. of 90° elbows	Rigid	Metallic Flexible*	Rigid	Metallic Flexible*
0	14m(46ft.)	9m(30ft.)	11m(37ft.)	7m(24ft.)
1	11m(38ft.)	7.5m(25ft.)	9m(30ft.)	6m(20ft.)
2	9m(31ft.)	6m(20ft.)	6.5m(22ft.)	4m(14ft.)
3	7m(24ft.)	5m(16ft.)	4.5m(15ft.)	3m(10ft.)

\* Do not use non metallic flexible duct.

- Exhaust systems longer than recommended can extend drying times, affect machine operation and may collect lint.
- The exhaust duct should end with an exhaust hood with a swing out damper to prevent back drafts and entry of wildlife. Never use an exhaust hood with a magnetic damper.
- The hood should have at least 12 inches (30.5 cm) of clearance between the bottom of the hood and the ground or other obstruction. The hood opening should point down. Never install a screen over the exhaust outlet.
- When possible, do not exhaust the dryer directly into a window well in order to avoid lint build-up. Do not exhaust under a house or porch.
- If exhaust ductwork must run through an unheated area, the duct should be insulated and slope slightly down towards the exhaust hood to reduce condensation and lint build-up.
- Inspect and clean the interior or the exhaust system at least once a year. Disconnect electrical service prior to cleaning.
- Frequently check to be sure the exhaust hood damper opens and closes freely.

**If new dryer is installed into an existing exhaust system you must be sure:**

- The exhaust system meets all local, state and national codes.
- That plastic flexible duct is not used.
- Inspect and clean all lint accumulation from the interior of the existing duct.
- The duct is not kinked or crushed.
- The exhaust hood damper opens and closes freely.

The static pressure in any exhaust system must not exceed 0.48 inches of water column, or be less than 0.

This can be measured with the dryer running with a manometer at the point where the exhaust duct connects to the dryer. A no heat setting should be used. The dryer tumbler should be empty and the lint filter clean.

## NONEXHAUSTED INSTALLATIONS

- If the electric dryer is not exhausted to the outside, the exhaust must not terminate directly behind the dryer.
- Use a rectangular vent kit along with a Dacron mesh lint bag (see Accessories). Maintain a 6" (15.2 cm) clearance between the back of the control panel and the wall. Although the lint screen and lint bag will retain most of the lint, a certain amount will be expelled into the laundry area.
- **WARNING: IF THE DRYER IS NOT EXHAUSTED TO THE OUTSIDE, SOME FINE LINT WILL BE EXPELLED INTO THE LAUNDRY AREA. AN ACCUMULATION OF DUST OR LINT IN ANY AREA OF THE HOME CREATES A FIRE HAZARD. ANY LINT ACCUMULATIONS MUST BE CLEANED FREQUENTLY.**

## ELECTRICAL REQUIREMENTS

**NOTE:** Wiring diagram is located inside the lower kick panel.

**Export models** (not U.S. or Canada): See Additional Instructions for Export Models on last page of installation instructions.



**WARNING** – To prevent unnecessary risk of fire, electrical shock or personal injury, **all wiring and grounding must be done in accordance with local codes, or in the absence of local codes, with the National Electrical Code, ANSI/NFPA (for the United States) or the Canadian Electrical Code CSA C22.1 (for Canada).**

## GROUNDING

This dryer must be grounded. In the event of malfunction or breakdown, the ground will reduce the risk of electrical shock by providing a path of least resistance for electrical current. NEVER CONNECT GROUND WIRE TO PLASTIC PLUMBING LINES, GAS LINES OR HOT WATER PIPES.

## ELECTRIC MODELS

U.S. electric models are shipped with a ground strap connected from the neutral terminal block post to the frame of the dryer. If local codes prohibit the use of the ground strap, the dryer must be grounded in accordance with local codes.



If a power cord is not used and the electric dryer is to be permanently wired, the dryer must be connected to a grounded metal, permanent wiring system; or an equipment-grounding conductor must be run with the circuit conductors and connected to the equipment-grounding terminal.

## ELECTRICAL CONNECTIONS

**BEFORE OPERATING OR TESTING**, follow all grounding instructions in Grounding Section. An individual branch (or separate) circuit serving only this appliance is recommended.

**DO NOT USE AN EXTENSION CORD.**

### ELECTRIC MODELS – U.S. Only

Most U.S. dryers, as manufactured, require a 120/240 volt, 60 Hz AC approved electrical service. Some require 120/208 volt, 60 Hz approved electrical service. The electric service requirements can be found on the data label located on the front behind the door. A 30-ampere fuse or circuit breaker on both sides of the line is required.



- Improper connection of the equipment grounding conductor can result in a risk of electric shock. Check with a qualified electrician or serviceman if you are in doubt as to whether the appliance is properly grounded. Do not modify the plug provided with the appliance – if it will not fit the outlet, have a proper outlet installed by a qualified electrician.
  - To prevent unnecessary risk of fire, electrical shock or personal injury, all wiring and grounding must be done in accordance with local codes, or in the absence of local codes, with the National Electrical Code, ANSI/NFPA No. 70-Latest Revision (for the US) or the Canadian Electrical Code CSA C22.1 - Latest Revisions and local codes and ordinances. It is the personal responsibility and obligation of the appliance owner to provide adequate electrical services for this appliance
  - All gas installations must be done in accordance with the national Fuel Code ANSI/Z2231 - Last revision (for United States) or CAN/CGA - B149 Installation Codes - Latest Revision (for Canada) and local codes and ordinances.
- A 120/240-volt U.S. electric dryer must be converted if it is to operate on a 120/208 volt electrical system.
  - If a power cord is used, the cord should be plugged into a 30-ampere receptacle.
  - The power cord is **NOT** provided with U.S. electric model dryers.

**IMPORTANT:** When permitted by local codes, the dryer electrical supply may be connected by means of a new power supply cord kit, marked for use with clothes dryer, that is U.L. listed, rated at 120/240 volts minimum, 30 amperes with three No. 10 copper wire conductors terminated with closed loop terminals, open-end spade lugs with turned up ends or with tinned leads.

- Do not reuse a power supply cord from an old dryer. The power cord electric supply wiring must be retained at the dryer cabinet with a suitable UL listed strain relief.

- If the dryer is to be installed in a mobile home or an area where local codes do not permit grounding through neutral, only a 4 conductor power cord, rated and terminated as above, may be used.

## **ELECTRIC MODELS – Canada Only**

- A 120/240 volt, 60 Hz AC approved electrical service fused through a 30 ampere fuse or circuit breaker on both sides of the line is required.
- All Canadian models are shipped with the power cord attached. The power cord should be plugged into a 30 ampere receptacle.

**NOTE:** It is not permissible to convert a dryer in Canada to 208 volts.

### **REPLACEMENT PARTS AND ACCESSORIES**

If your dryer requires replacement parts or accessories, contact the dealer from whom you purchased your dryer or Maytag Customer Service, Box 2370, Cleveland, Tennessee 37320-2370, phone 423-472-3333, for information on the nearest authorized Maytag Parts Distributor.

# **INSTALLATION**

***Parts and literature are packaged inside of dryer drum.***

## ***To Install...***

- 1.** Move dryer to an appropriate location for installation. Consider installing the dryer before the washer in side-by-side installations, to allow access to gas, electrical and exhaust connections. Lay two of the carton corner posts on the floor. Tip the dryer forward on its front so it will lay across both corner posts.
- 2.** Set the dryer back in an upright position.
- 3.** Review the Exhausting Section before installing the exhaust system. Install the ductwork from the dryer to the exhaust hood. The crimped end of the duct sections must point away from the dryer. **DO NOT** use sheet metal screws when assembling ducting. These joints should be taped. **Never use plastic flexible exhaust material.**

Tip for tight installations: install a section of exhaust system to the dryer before moving the dryer in place. Use duct tape to secure this section to the dryer but do not cover louvers in dryer cabinet.

## ***4. Review Electrical Requirements Section.***

BEFORE OPERATING OR TESTING, follow the grounding instructions in the Grounding Section.

### **U.S. MODELS:**

**IMPORTANT** – All U.S. models are produced for a **3-WIRE SYSTEM CONNECTION**. The dryer frame is grounded to the neutral conductor at the terminal block.

A **4-WIRE SYSTEM CONNECTION** is required for new or remodeled construction, mobile homes, or if local codes do not permit grounding through neutral. If the 4-wire system is used, the dryer frame cannot be grounded to the neutral conductor at the terminal block. Refer to the following instructions for 3- and 4-WIRE SYSTEM CONNECTIONS.

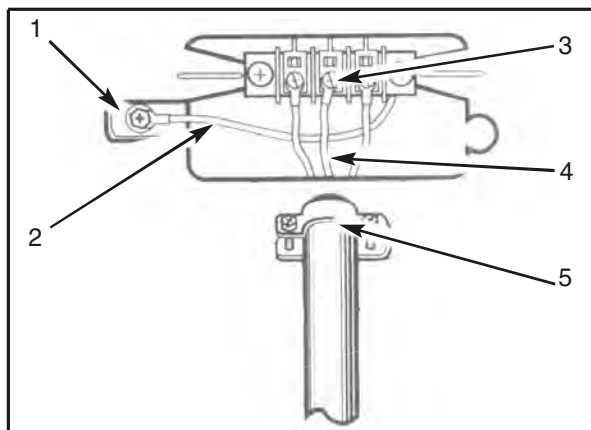
Remove the terminal block cover plate.

Insert the power cord with a U.L. listed strain relief through the hole provided in the cabinet near the terminal block. **NOTE: a strain relief must be used.**

Do not loosen the nuts already installed on the terminal block. Be sure they are tight. Use a 3/8" (1 cm) deep well socket.

### 3-WIRE SYSTEM CONNECTIONS

1. Loosen or remove center terminal block screw.
2. Connect neutral wire (white or center wire) of power supply cord to the center, silver colored terminal screw of the terminal block. Tighten screw.
3. Connect the other wires to outer terminal block screws. Tighten screws.
4. Tighten strain relief screws.
5. Insert tab of terminal block cover into slot of dryer rear panel. Secure cover with hold-down screw.

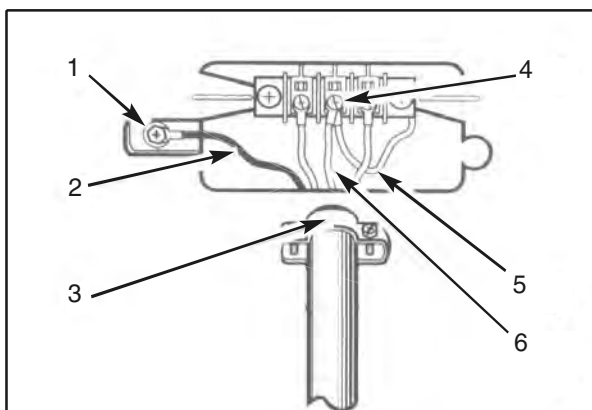


1. External ground connector
2. Neutral grounding wire (green/yellow)
3. Center silver-colored terminal block screw
4. Neutral wire (white or center wire)
5. 3/4 in. (1.9 cm) UL-listed strain relief

**WARNING:** If converting from a 4-wire electrical system to a 3-wire, the ground strap must be reconnected to the terminal block support to ground the dryer frame to the neutral conductor.

### 4-WIRE SYSTEM CONNECTIONS

1. Remove center terminal block screw.
2. Remove appliance ground wire (green with yellow stripes) from external ground connector screw. Fasten it under center, silver colored terminal block screw.
3. Connect ground wire (green or bare) of power supply cord to external ground conductor screw. Tighten screw.
4. Connect neutral wire (white or center wire) of power supply cord under central screw of the terminal block.
5. Connect the other wires to outer terminal block screws. Tighten screws.
6. Tighten strain relief screws.
7. Insert tab of terminal block cover into slot of dryer rear panel. Secure cover with hold-down screw.



1. External ground connector
2. Green or bare copper wire of power supply cord
3. 3/4 in. (1.9 cm) UL-listed strain relief
4. Center silver-colored terminal block screw
5. Neutral grounding wire (green/yellow)
6. Neutral wire (white or center wire)

## 7. Check All Connections:

At this time, make sure all gas connections (on gas models), exhaust and electrical connections are complete. Plug dryer in, and check operation by using the check list below.

### FINAL INSTALLATION CHECK LIST

- Dryer is plugged into electrical outlet and is properly grounded.
- Exhaust ductwork is hooked up to dryer and all joints taped.
- Plastic flexible duct is NOT used.
- Rigid or stiff walled flexible metal vent material was used.
- Dryer is level with all legs firmly on the floor.
- Start dryer to confirm dryer runs, heats and shuts off.
- Provide User Guide to consumer and demonstrate dryer operation.

#### HOUSEHOLD INSTALLATION ACCESSORIES

- Vent hood – 4" (10.16 cm) opening – 059129
- Aluminum pipe – 4" x 24" (10.16 cm x 60.96 cm) – 059130
- Aluminum elbow – 4" (10.16 cm) – 059131
- Aluminum window plate – 15" x 20" (38.10 cm x 50.80 cm) – 4" (10.16 cm) hole – 059134
- Flexible aluminum vent duct – 4" (10.16 cm) diameter – 38" (81.28 cm) length stretches to 8' (2.44 cm) – 304353
- Clamp for flexible aluminum duct – 304630
- Exhaust duct kit for base or left side exhausting – 12001453
- Rectangular vent kit – 059144
- Dacron lint bag – 311353
- NATURAL to LP conversion kit – 306195
- LP to NATURAL conversion kit – 306204
- Anchor bracket kit – 303740
- Heating element conversion kit, 208V., not for Canada – 308590
- Grounding kit – 12001875
- Power cords – 240 v, 30 A
  - 4' (121.9 cm) – 3-wire – 33001780
  - 5' (152.4 cm) – 3-wire – 33001822
  - 6' (182.9 cm) – 3-wire – 33001823
  - 10' (304.8 cm) – 3-wire – 33001838
  - 4' (121.9 cm) – 4-wire – 33001781
  - 5' (152.4 cm) – 4-wire – 33001824
  - 6' (182.9 cm) – 4-wire – 33001825
  - 10' (304.8 cm) – 4-wire – 33001838



## ADDITIONAL INSTRUCTIONS FOR EXPORT MODELS

**(Not U.S. or Canada)** Contact the distributor that sold the appliance or: Maytag International, 1475 East Woodfield Road Schaumburg, Illinois 60173 Phone: 847-273-3100, for information on product, shipping damage, replacement parts and accessories.

Maytag dryer models manufactured for operation on 60 Hz AC are not designed for use on 50 Hz AC electrical service and conversion of the product from 60 to 50 Hz operation is not recommended. For additional information on 50 Hz products, contact Maytag International. The electric service requirements can be found on the data label located on the front of the dryer behind the door

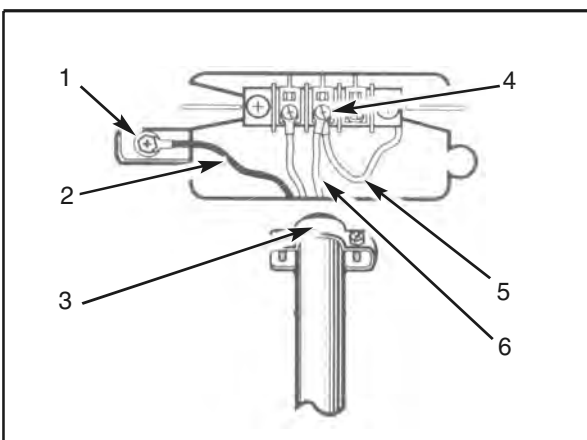
### EXPORT ELECTRIC MODELS

Export electric models are manufactured for operation on either 230/240 volt, 50 Hz or 220 volt, 60 Hz approved electric service. A two-wire approved electrical service with a 30-ampere fuse or circuit breaker is required. The dryer must be properly grounded with a ground wire.

**IMPORTANT:** When permitted by local codes, the dryer electrical supply may be connected by means of a new power supply cord kit, marked for use with clothes dryers, that is agency listed, rated at 240 volts minimum, 30 amperes with two No. 10 copper wire conductors terminated with closed loop terminals, open-end spade lugs with turned up ends or with tinned leads. Do not reuse a power supply cord from an old dryer. The power cord or electric supply wiring must be retained at the dryer cabinet with a suitable agency listed strain relief.

### 2-WIRE SYSTEM CONNECTIONS

1. Loosen or remove center terminal block screw.
2. Connect neutral wire (white or center wire) of power supply cord to the center, silver colored terminal screw of the terminal block. Tighten screw.
3. Connect the other wires to outer terminal block screws. Tighten screws.
4. Tighten strain relief screws.
5. Insert tab of terminal block cover into slot of dryer rear panel. Secure cover with hold-down screw.



1. External ground connector
2. Neutral grounding wire (green/yellow)
3. Center silver-colored terminal block screw
4. Neutral wire (white or center wire)
5. 3/4 in. (1.9 cm) UL-listed strain relief

**BEFORE OPERATING OR TESTING,** be sure the machine is properly grounded.

# Appendix B



# Dryer

## Use & Care Guide

### Table of Contents



**Important Safety Instructions** .....1-2



**Operating Instructions** ..... 3-4

- Clean the Lint Filter
- Load the Dryer Properly
- Start/Pause
- Turn the Dryer Off
- Estimated Time Display
- Cycle Status Lights



**Using the Controls** ..... 5-7

- Select Cycle
- Select Dryness Level
- Select Temperature
- Select Options
- Press Start/Pause



**Care & Cleaning** ..... 8

- Control Panel
- Dryer Exterior
- Dryer Exhaust System
- Stainless Steel
- Special Laundry Tips



**Dryer Exhaust Tips** ..... 9



**Troubleshooting** ..... 10



**Service & Warranty** ..... 11

**Guide d'utilisation et d'entretien** ..... 12  
**Guía de uso y cuidado** .....22



# Important Safety Instructions

**Installer:** Please leave this manual with this appliance.

**Consumer:** Please read and keep this manual for future reference. Keep sales receipt and/or canceled check as proof of purchase.

Model Number \_\_\_\_\_

Serial Number \_\_\_\_\_

Date of Purchase \_\_\_\_\_

If you have questions, call:

Maytag Customer Assistance  
1-800-688-9900 U.S.A.  
1-800-688-2002 Canada  
(Mon.-Fri. 8 a.m.-8 p.m. Eastern Time)  
Internet: <http://www.maytag.com>

U.S.A. Customers using TTY for deaf, hearing impaired or speech impaired, call 1-800-688-2080.

In our continuing effort to improve the quality and performance of our appliances, it may be necessary to make changes to the appliance without revising this guide.

**For service information, see page 11.**

## **⚠ WARNING**

**FIRE HAZARD** – Do not place into your dryer items that have been spotted or soaked with vegetable oil or cooking oil. Even after being washed, these items may contain significant amounts of these oils. The remaining oil can ignite spontaneously. The potential for spontaneous ignition increases when the items containing vegetable oil or cooking oil are exposed to heat. Heat sources, such as your clothes dryer, can warm these items, allowing an oxidation reaction in the oil to occur. Oxidation creates heat. If this heat cannot escape, the items can become hot enough to catch fire. Piling, stacking or storing these kinds of items may prevent heat from escaping and can create a fire hazard.

All washed and unwashed fabrics that contain vegetable oil or cooking oil can be dangerous. Washing these items in hot water with extra detergent will reduce, but will not eliminate, the hazard. Always use the Cool Down cycle for these items to reduce the items' temperature. Never remove these items from the clothes dryer hot or interrupt the drying cycle until the items have run through the Cool Down cycle. Never pile or stack these items when they are hot.

## What You Need to Know About Safety Instructions

Warning and Important Safety Instructions appearing in this manual are not meant to cover all possible conditions and situations that may occur. Common sense, caution and care must be exercised when installing, maintaining or operating appliance.

Always contact your dealer, distributor, service agent or manufacturer about problems or conditions you do not understand.

## Recognize Safety Symbols, Words and Labels

### **⚠ WARNING**

**WARNING** – Hazards or unsafe practices which **COULD** result in severe personal injury or death.

### **⚠ CAUTION**

**CAUTION** – Hazards or unsafe practices which **COULD** result in minor personal injury.



# Important Safety Instructions

## **⚠ WARNING**

To reduce the risk of fire, explosion, electric shock, or personal injury when using your dryer; follow basic safety precautions, including the following:

1. Read all instructions before using the appliance.
2. To avoid the possibility of fire or explosion:
  - a. Do not dry items that have been previously cleaned in, washed in, soaked in, or spotted with gasoline, dry-cleaning solvents, other flammable or explosive substances as they give off vapors that could ignite or explode. Any material on which you have used a cleaning solvent, or which is saturated with flammable liquids or solids, should not be placed in the dryer, until all traces of these flammable liquids or solids and their fumes have been removed. There are many highly flammable items used in homes, such as: acetone, denatured alcohol, gasoline, kerosene, some liquid household cleaners, some spot removers, turpentine, waxes and wax removers.
  - b. Items containing foam rubber (may be labeled latex foam) or similarly textured rubber-like materials must not be dried on a heat setting. Foam rubber materials when heated, can under certain circumstances produce fire by spontaneous combustion.
3. Do not allow children or pets to play on, in, or in front of the appliance. Close supervision is necessary when the appliance is used near children and pets.
4. Before the appliance is removed from service or discarded, remove the door to the drying compartment.
5. Do not reach into the appliance if the drum is moving.
6. Do not install or store this appliance where it will be exposed to the weather.
7. Do not tamper with controls.
8. Do not repair or replace any part of the appliance or attempt any servicing unless specifically recommended in published user-repair instructions that you understand and have the skills to carry out.
9. Do not use fabric softeners or products to eliminate static unless recommended for dryer use by the manufacturer of the fabric softener or product.
10. Clean the lint screen before or after each load.
11. Keep the area around the exhaust opening and surrounding areas free from lint accumulation, dust and dirt.
12. The interior of the dryer and exhaust duct should be cleaned periodically by qualified service personnel.
13. This appliance must be properly grounded. Never plug the appliance cord into a receptacle which is not grounded adequately and in accordance with local and national codes. See installation instructions for grounding this appliance.
14. Do not sit on top of the clothes dryer.

### **Note**

- Because of continuing product improvements, Maytag reserves the right to change specifications without notice. For complete details, see the Installation Instructions packed with your product before selecting cabinetry, making cutouts or beginning installation.

**SAVE THESE INSTRUCTIONS**



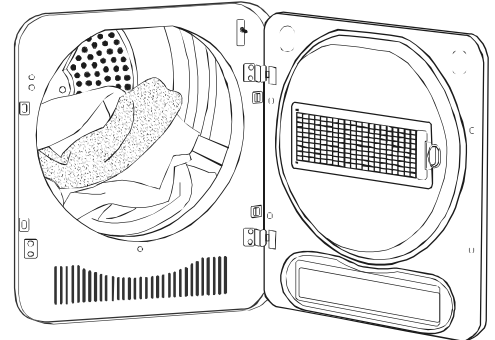
# Operating Instructions

## Clean the Lint Filter

- After each load.
- To shorten drying time.
- To operate more energy efficiently.

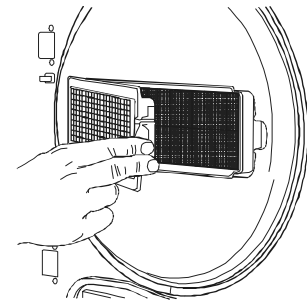
### Note

- Do not operate the dryer without the lint filter grid in place.
- Do not operate the dryer without the filter in place.



## To Clean the Filter

1. Remove the lint filter grid by depressing the latch on the right end.
2. Swing the lint filter away from the grid.
3. Remove lint from the filter.
4. Swing the filter back so it lays flat against the grid.
5. Place the left end of the grid in the filter opening and push the right side in until it latches.



## Load the Dryer Properly

- Place only one washload in the dryer at a time.
- Mixed loads of heavy and lightweight clothes will dry differently. Lightweight clothes will dry, while heavy clothes may be damp.
- Add one or more similar items to the dryer when only one or two articles need drying. This improves the tumbling action and drying efficiency.
- Overloading restricts tumbling action, resulting in uneven drying as well as excessive wrinkling of some fabrics.

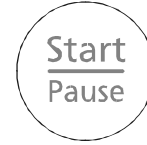




# Operating Instructions

## Start/Pause

After setting the cycle and desired options, press the **Start/Pause** pad to start the dryer. To pause the cycle, press **Start/Pause** again. To restart the cycle, press **Start/Pause** and the cycle will resume from the point of interruption.



## Turn the Dryer Off

### Power Off

Press the **Power Off** pad to cancel the cycle and stop the dryer.



## Estimated Time Display

The display window shows the estimated time remaining in the cycle after the **Start/Pause** pad is pressed. The estimated time remaining may fluctuate as the cycle progresses.



## Cycle Status Lights

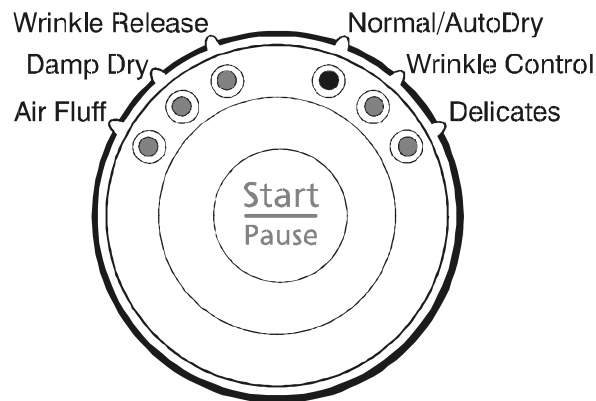
The **Drying** light will illuminate and remain lit until the cycle is complete. When the dryer is in the *cool down* portion of the cycle, the **Cooling** light will illuminate. When the cycle is complete, "End" will appear in the display and the **Complete** light will illuminate, until the dryer door is opened.



If the dryer is paused during a cycle, the indicator lights will blink until the **Start/Pause** pad is pressed.



# Using the Controls



## STEP 1

### Select Cycle

To select a cycle, rotate the control dial to the desired cycle. The indicator light by the cycle name will illuminate.

#### Wrinkle Release

The Wrinkle Release cycle will release wrinkles from items that are clean and dry but only slightly wrinkled, such as from a crowded closet or suitcase or from sitting in the dryer too long after the cycle has ended. Wrinkle Release can be used with *any* temperature selection.

#### Damp Dry

The Damp Dry cycle is designed to partially dry loads. Damp Dry can be used with *any* temperature selection.

#### Air Fluff

The Air Fluff cycle tumbles the load in room temperature air.

#### Normal/Auto Dry

The Normal/Auto Dry cycle is designed to dry loads such as towels, underwear, jeans, etc.

#### Wrinkle Control

The Wrinkle Control cycle is designed to dry wrinkle-free cottons, synthetic fabrics, knits and permanent press fabrics automatically. The cycle *minimizes* wrinkling by providing a longer unheated cool-down period at the end of the cycle.

#### Delicates

The Delicates cycle is designed to dry heat-sensitive items at the *lowest* drying temperature.



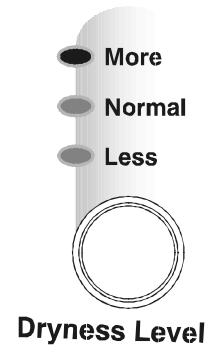
# Using the Controls

## STEP 2

### Select Dryness Level

To select the dryness level in the Normal/Auto Dry or Wrinkle Control cycles, press the **Dryness Level** pad. An indicator light will illuminate next to the desired dryness level. Press the pad repeatedly to scroll through the settings.

Loads of larger or bulkier size may require the *More* Dry Setting to completely dry the load. The *Less* Dry setting is best suited for lightweight fabrics or for leaving some moisture in the clothing at the end of the cycle.



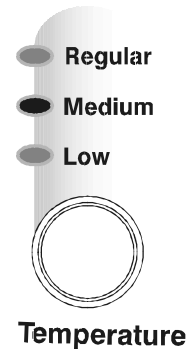
## STEP 3

### Select Temperature

To select the correct temperature, in the Normal/Auto Dry, Wrinkle Release or Damp Dry cycles, press the **Temperature** pad. An indicator light will illuminate next to the desired temperature. Press the pad repeatedly to scroll through the settings.

Use the chart below as a guide:

DRYER TEMPS	LOAD TYPE
<b>Regular</b>	For sturdy cottons or those labeled Tumble Dry.
<b>Medium</b>	For permanent press, synthetics, lightweight cottons or items labeled Tumble Dry Medium.
<b>Low</b>	For heat sensitive items labeled Tumble Dry Low or Tumble Dry Warm.





# Using the Controls

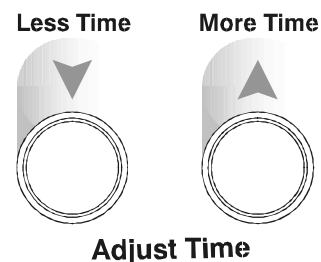
## STEP 4

### Select Options (if desired)

#### Adjust Time

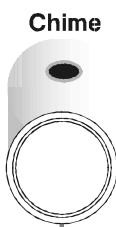
Time can be added or subtracted from the automatically set times in the Delicates, Wrinkle Release, Damp Dry or Air Fluff cycles.

To subtract time from the cycle, press the **Less Time** pad until the desired time is displayed. To add time to the cycle, press the **More Time** pad until the desired time is displayed.



#### End of Cycle Chime

When the cycle is complete, an audible chime will sound. When the Wrinkle Prevent option is selected, the chime will sound intermittently.



#### Wrinkle Prevent

Wrinkle Prevent provides approximately 95 minutes of intermittent tumbling in unheated air at the end of the cycle to reduce wrinkling.

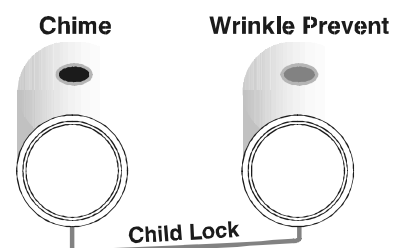


#### Child Lock

The control panel can be locked for safety, cleaning or to prevent unwanted use. The pads will NOT function when locked.

To lock the controls, press and hold the **Chime** and **Wrinkle Prevent** pads for 3 seconds. The Child Lock indicator light will illuminate.

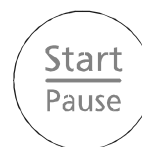
To unlock the controls, press and hold the **Chime** and **Wrinkle Prevent** pads for 3 seconds. The Child Lock indicator light will go out.



## STEP 5

### Press Start/Pause

Press this pad to start the dryer. The dryer door must be closed for the dryer to operate. If the door is opened during the cycle, the **Start/Pause** pad must be pushed again to resume the cycle once the door is closed.





# Care & Cleaning

## Control Panel

Clean with a soft, damp cloth. *Do not* use abrasive substances.

The control panel finish could be damaged by some laundry pre-treatment soil and stain-remover products. Apply such products away from the dryer and wipe up any spills or overspray immediately.

## Dryer Exterior

Clean with a soft, damp cloth. *Do not* use abrasive substances. Protect the surface from sharp objects.

## Dryer Exhaust System

Inspect and clean once a year to maintain optimum performance. The outside exhaust hood should be cleaned more frequently to ensure proper operation. Refer to the installation instructions for more information.

## Stainless Steel

To clean the stainless steel tumbler, use a damp cloth with a mild, non-abrasive cleaner suitable for stainless steel surfaces. Remove the cleaner residue and then dry with a clean cloth.

## Special Laundry Tips

Please follow the care label or manufacturer's instructions for drying special items. If care label instructions are not available, use the following information as a guide.

ITEM	LAUNDERING TIPS
<b>Blankets</b>	<ul style="list-style-type: none"> <li>• Dry only one blanket at a time for best tumbling action.</li> <li>• Be sure the item is thoroughly dry before using or storing.</li> </ul>
<b>Curtains and Draperies</b>	<ul style="list-style-type: none"> <li>• Use the Wrinkle Control cycle to help minimize wrinkling.</li> <li>• Dry in small loads for best results and remove as soon as possible.</li> </ul>
<b>Cloth Diapers</b>	<ul style="list-style-type: none"> <li>• Use the Normal/Auto Dry cycle for soft, fluffy diapers.</li> </ul>
<b>Down-Filled Items</b> ( <i>jackets, sleeping bags, comforters, etc.</i> )	<ul style="list-style-type: none"> <li>• Use the Normal/Auto Dry cycle and a delicate temperature setting.</li> <li>• Place a clean pair of sneakers in the dryer with the item to fluff the down comforters, etc. Adding a couple of dry towels shortens dry time and absorbs moisture.</li> </ul>
<b>Foam Rubber</b> ( <i>rug backs, stuffed toys, certain shoulder pads, etc.</i> )	<ul style="list-style-type: none"> <li>• DO NOT dry on a heat setting. Use the Air Fluff (no-heat) cycle.</li> <li>• <b>⚠ WARNING</b> - Drying a rubber item with heat may damage it or be a fire hazard.</li> </ul>
<b>Pillows</b>	<ul style="list-style-type: none"> <li>• Use the Normal cycle.</li> <li>• Add a couple of dry towels and a pair of clean sneakers to help the tumbling action and to fluff the item.</li> <li>• DO NOT dryer-dry kapok or foam pillows.</li> </ul>
<b>Plastics</b> ( <i>shower curtains, outdoor furniture covers, etc.</i> )	<ul style="list-style-type: none"> <li>• Use the Air Fluff cycle on a Low or Air Fluff temperature depending on the care label instructions.</li> </ul>

### IMPORTANT: Avoid Dryer Drying . . .

- Fiberglass Items (curtains, draperies, etc.).
- Woolens, unless recommended on the label.
- Vegetable or cooking oil soaked items (see page 2).



# Dryer Exhaust Tips

## ⚠ WARNING

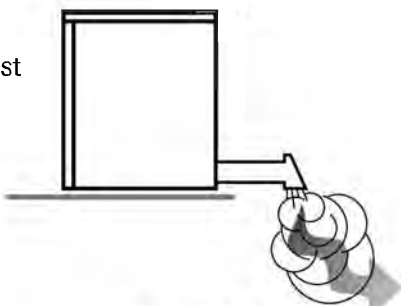
Plastic or nonmetal flexible duct presents a potential fire hazard.

### Do

Read the installation instructions and the use and care guide.

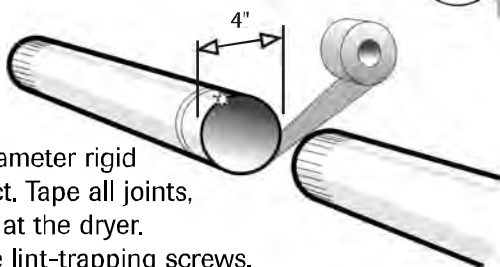
### Do

Let your dryer exhaust the air easily.



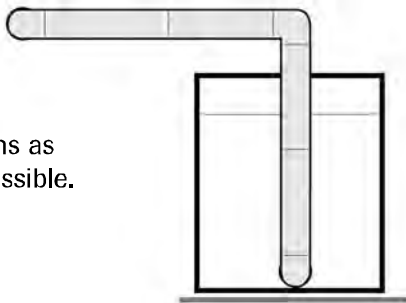
### Do

Use 4" diameter rigid metal duct. Tape all joints, including at the dryer. *Never* use lint-trapping screws.



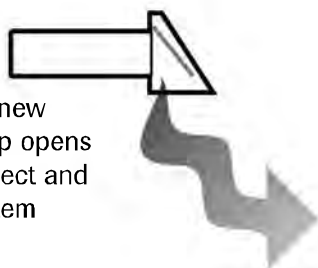
### Do

Keep duct runs as straight as possible.



### Do

Clean all old ducts before installing your new dryer. Be sure vent flap opens and closes freely. Inspect and clean the exhaust system annually.

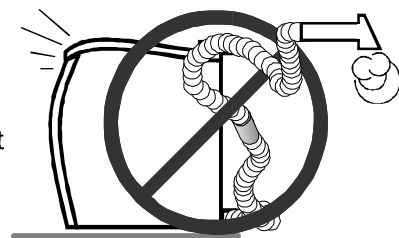


### Don't

Let a poor exhaust system cause slow drying.

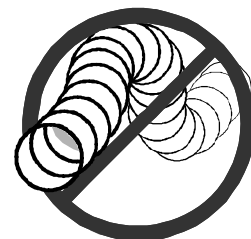
### Don't

Restrict your dryer with a poor exhaust system.



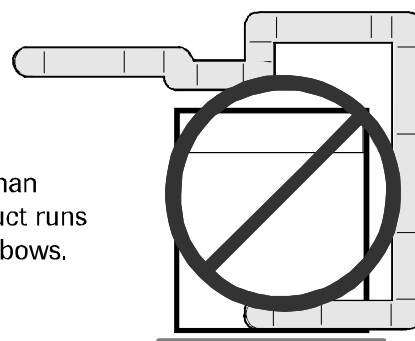
### Don't

Use plastic, thin foil, or non-metal flexible duct.



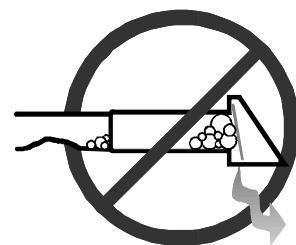
### Don't

Use longer than necessary duct runs with many elbows.



### Don't

Allow crushed or clogged ducts and vent.





# Troubleshooting

<b>Doesn't Run</b>	<ul style="list-style-type: none"> <li>• Be sure the door is shut.</li> <li>• Is the electrical cord plugged in?</li> <li>• Has a fuse blown or the circuit breaker tripped?</li> <li>• Push the Start/Pause pad again if the door was opened during the cycle.</li> </ul>
<b>Doesn't Heat</b>	<ul style="list-style-type: none"> <li>• Has a fuse blown or the circuit breaker tripped?</li> <li>• Select a heat setting, not air fluff.</li> <li>• Clean the lint filter and exhaust duct.</li> <li>• Dryer timer may have moved into the cool-down portion of the cycle.</li> </ul>
<b>Doesn't Dry Properly</b>	<ul style="list-style-type: none"> <li>• Check all of the above, plus . . .</li> <li>• Check the exhaust hood outside the house, does it open and close freely?</li> <li>• Check exhaust system for lint buildup. Ducting should be inspected and cleaned annually.</li> <li>• Use rigid 4" metal exhaust duct.</li> <li>• Do not overload. 1 wash load = 1 dryer load.</li> <li>• Sort heavy items from lightweight items.</li> <li>• Check the washer to be sure it is draining properly to extract water from the load.</li> <li>• Clothes load is too small to tumble properly. Add a few towels.</li> </ul>
<b>Is Noisy</b>	<ul style="list-style-type: none"> <li>• Check the load for objects such as coins, nails, etc. Remove promptly from dryer.</li> <li>• It is normal to hear the heating element cycle on and off during the drying cycle.</li> <li>• The dryer should be level and installed on a solid floor.</li> <li>• It is normal for the dryer to hum due to the high velocity of air moving through the dryer drum and exhaust system.</li> <li>• Make sure lint filter is securely attached.</li> </ul>
<b>Dries Unevenly</b>	<ul style="list-style-type: none"> <li>• Seams, pockets and other similar heavy areas may not be completely dry when the rest of the load has reached the selected dryness level. This is normal. Select the More Dry setting if desired.</li> <li>• If one heavy item is dried with a lightweight load, such as one towel with sheets, it is possible that the heavy item will not be completely dry when the rest of the load has reached the selected dryness level. Sort heavy items from lightweight items for best drying results.</li> </ul>
<b>Has an Odor</b>	<ul style="list-style-type: none"> <li>• Household odors such as from painting, varnishing, strong cleaners, etc. may enter the dryer with the surrounding room air. This is normal as the dryer draws the air from the room, heats it, pulls it through the tumbler and exhausts it to the outside. When these odors are present in the air, ventilate the room completely before using the dryer.</li> </ul>
<b>Dryer shuts off before load is dry</b>	<ul style="list-style-type: none"> <li>• Clothes load is too small. Add more similar items or a few towels and restart the cycle.</li> <li>• Clothes load is too large. Remove some of the load and restart the dryer.</li> </ul>

For further assistance contact Maytag Services<sup>SM</sup>, Maytag Customer Assistance: U.S.A. 1-800-688-9900 or Canada 1-800-688-2002. U.S.A. Customers using TTY for deaf, hearing impaired or speech impaired, call 1-800-688-2080.



# Service & Warranty

## Dryer Warranty

### Full One Year Warranty

For one (1) year from the date of original retail purchase, any part which fails in normal home use will be repaired or replaced free of charge.

### Limited Warranty

After the first year from date of original retail purchase, through the time periods listed below, the parts designated below which fail in normal home use will be repaired or replaced free of charge for the part itself, with the owner paying all other costs, including labor, mileage, transportation, trip charge and diagnostic charge, if required.

**Second Year** – All parts.

### Additional Limited Warranty Against Rust-Through

Should an exterior cabinet, including the door, rust through during the one-year period starting from the date of retail purchase, repair or replacement will be made free of charge. After the first and through the fifth year, repair or replacement will be made free of charge for the part itself, with the owner paying all other costs, including labor, mileage, transportation, trip charge and diagnostic charge, if required.

**Please Note:** This full warranty and the limited warranty apply when the dryer is located in the United States or Canada. Dryers located elsewhere are covered by the limited warranty only, including parts which fail during the first two years.

### Canadian Residents

This warranty covers only those dryers installed in Canada that have been listed with the Canadian Standards Association unless the dryers are brought into Canada due to transfer of residence from the United States to Canada.

The specific warranties expressed above are the ONLY warranties provided by the manufacturer. This warranty gives you specific legal rights, and you may also have other rights that vary from state to state.

## What is Not Covered By These Warranties:

1. Conditions and damages resulting from any of the following:
  - a. Improper installation, delivery or maintenance.
  - b. Any repair, modification, alteration, or adjustment not authorized by the manufacturer or an authorized servicer.
  - c. Misuse, abuse, accidents or unreasonable use.
  - d. Incorrect electric current, voltage or supply.
  - e. Improper setting of any control.
2. Warranties are void if the original serial numbers have been removed, altered or cannot be readily determined.
3. Light bulbs.
4. Products purchased for commercial or industrial use.
5. The cost of service or service call to:
  - a. Correct installation errors.
  - b. Instruct the user on the proper use of the product.
  - c. Transport the appliance to the servicer.
6. Consequential or incidental damages sustained by any person as a result of any breach of these warranties.  
Some states do not allow the exclusion or limitation of consequential or incidental damages, so the above exclusion may not apply.

## To Obtain Warranty Service

To locate an authorized service company in your area, contact the dealer from whom your appliance was purchased; or call Maytag Services<sup>SM</sup>, Maytag Customer Assistance. Should you not receive satisfactory warranty service, please call or write:

Maytag Services<sup>SM</sup>  
Attn: CAIR<sup>®</sup> Center  
P.O. Box 2370  
Cleveland, TN 37320-2370  
**U.S.A. 1-800-688-9900**  
**Canada 1-800-688-2002**  
**U.S.A. Customers using TTY for deaf, hearing impaired or speech impaired, call 1-800-688-2080.**

### Note

When contacting Maytag Services<sup>SM</sup>, Maytag Customer Assistance about a service problem, please include the following:

- a. Your name, address and telephone number;
- b. Model number and serial number (found on the back center of the control panel) of your appliance;
- c. Name and address of your dealer and the date the appliance was purchased;
- d. A clear description of the problem you are having;
- e. Proof of purchase.

Use & Care Guides, service manuals and parts catalogs are available from Maytag Services<sup>SM</sup>, Maytag Customer Assistance.