

Service

This manual is to be used by qualified appliance technicians only. Maytag does not assume any responsibility for property damage or personal injury for improper service procedures done by an unqualified person.

Convertible Dishwasher

This Base Manual covers general information
Refer to individual Technical Sheet
for information on specific models

This manual includes, but is
not limited to the following:

MDC4650AW*

Important Information

Important Notices for Servicers and Consumers

Maytag will not be responsible for personal injury or property damage from improper service procedures. Pride and workmanship go into every product to provide our customers with quality products. It is possible, however, that during its lifetime a product may require service. Products should be serviced only by a qualified service technician who is familiar with the safety procedures required in the repair and who is equipped with the proper tools, parts, testing instruments and the appropriate service information. **IT IS THE TECHNICIANS RESPONSIBILITY TO REVIEW ALL APPROPRIATE SERVICE INFORMATION BEFORE BEGINNING REPAIRS.**



WARNING

To avoid risk of severe personal injury or death, disconnect power before working/servicing on appliance to avoid electrical shock.

To locate an authorized servicer, please consult your telephone book or the dealer from whom you purchased this product. For further assistance, please contact:

Customer Service Support Center

CAIR Center in Canada 1-800-688-2002
Amana Canada Product 1-866-587-2002

Customer Assistance Information Resource (CAIR) Center

Brand	Web Site	Telephone Number
Amana	WWW.AMANA.COM	1-800-843-0304
Hoover	WWW.HOOVER.COM	1-800-944-9200
Jennair	WWW.JENNAIR.COM	1-800-536-6247
Maytag	WWW.MAYTAG.COM	1-800-688-9900

Recognize Safety Symbols, Words, and Labels



DANGER

DANGER—Immediate hazards which **WILL** result in severe personal injury or death.



WARNING

WARNING—Hazards or unsafe practices which **COULD** result in severe personal injury or death.



CAUTION

CAUTION—Hazards or unsafe practices which **COULD** result in minor personal injury, product or property damage.

Important Information

Table of Contents

Important Information	
Important Notices for Servicers and Consumers	2
Recognize Safety Symbols, Words, and Labels ...	2
Table of Contents	3
Important Safety Information	
General Information	4
Related Publications	4
General Precautions and Warnings	4
General Information	
Model Identification	7
Service	7
Parts and Accessories	7
Extended Service Plan	7
Model Nomenclature	8
Troubleshooting	
Will Not Fill	9
Overflows	9
Poor Water Circulation	9
Poor Washability	10
Will Not Drain	10
Continues to Drain	10
Poor Drying	10
Water Leaks	11
Noise	11
Will Not Start or Program	11
Will Not Fill	11
Will Not Wash	12
Will Not Drain	12
Will Not Dry	12
Manual Function Test	12
Field Service Test	12
Testing Procedures	
Electrical Test Equipment	13
Appliance Test Meter	13
Continuity Testing	13
Digital Test Meter	13
Voltage Checks	14
Motor Test Cord	14
Grounding Polarity	14
Electrical Tests	
Water Valve	15
Wax Motor Check - Dispenser	15
Wax Motor Check - Vent	16
Disassembly Procedures	
Technical Sheet	17
Foil Bottom	17
Wood Top	18
Toe Panel	18
Cabinet	18
Faucet	19
Retainer - Faucet Coupler	19
Casters	19
Inner Door Panel	20
Detergent / Rinse Dispenser Mech. and Res.	20
Wax Motor Detergent / Rinse Dispenser	21
Vent	21
Door Latch & Switch Holder Assembly	22
PC Board	22
Upper Rack Removal	23
Tub Wheels	23
Door Latch Strike	23
Control Panel	23
Outer Door	24
Door Hinge And Support	24
Door Spring	25
Door Spring And Component Replacement	25
Manifold	26
Docking Station	26
Top Wash Arm	26
Lower Wash Arm	27
Air Water Inlet	27
Door Gasket	28
Float	28
Heating Element	29
Thermostats	30
Water Valve	30
Checking Valve Operation	31
Turbidity Sensor	31
Drain Pump	32
Wash Motor Assembly	32
Appendix A	
Installation Instructions	A-1
Appendix B	
Use And Care	B-1

Important Safety Information



WARNING

To avoid personal injury or death from improper servicing, make sure you read and understand the descriptions and meaning of various safety symbols, words and labels used in this manual, before attempting any procedures described in the manual. Failure to understand and comply with safety information may result in severe personal injury or death.

General Information

This Service Manual describes the operation, disassembly, troubleshooting, and repair of Maytag® Dishwashers. It is intended for use by authorized servicers who troubleshoot and repair these units.

NOTE: It is assumed that users of this manual are familiar with the use of tools and equipment used to troubleshoot and repair electrical, and mechanical systems; and understand the terminology used to describe and discuss them.

Related Publications

This is a base service manual, covering a range of similar models. It is intended to be used in conjunction with the Parts Manual and Technical Sheet covering specific model being serviced.

General Precautions and Warnings

- Dispose of discarded appliance and shipping or packing material properly.
- Do not allow children to play in or on dishwasher.
- Do not abuse, sit, stand or play on door or racks of a dishwasher.
- Use only detergents and rinse agents recommended for use in a dishwasher.
- Store dishwasher detergent and rinse agents out of the reach of children.
- If the dishwasher drains into a food disposer, make sure disposer is completely empty before running dishwasher.
- Repairs should be done by a qualified technician.
- Do not tamper with controls.
- Do not touch the heating element during or immediately after use.
- Load sharp knives with the handles up to reduce the risk of cut-type injuries or damaging seal.



WARNING

To avoid risk of personal injury or death due to electrical shock:

- Grounding wires and wires colored like grounding wires are **NOT** to be used as current carrying conductors.
- Standard accepted color coding for ground wires is **green** or **green with a yellow stripe**.
- Grounding wires should not be removed from individual components while servicing, unless component is to be removed and replaced.
- Replace all removed grounding wires before completing service.



WARNING

To avoid death, severe personal injury, fire or electrical shock when using dishwasher observe the following:

- **Observe all local codes and ordinances.**
- Disconnect electrical power to dishwasher before servicing.
- Connect dishwasher to a grounded metal, permanent wiring system.
- DO NOT ground to gas line.
- DO NOT ground to cold water pipe if pipe is interrupted by plastic, non-metallic gaskets, or other insulating (non-conducting) materials.
- Check with a qualified electrician if you are not sure this appliance is properly grounded.
- This dishwasher is designed to operate on regular house current (120 V, 60 Hz). Use a circuit equipped with a 15 ampere fuse or circuit breaker. Use a 20 ampere fuse if dishwasher is connected with a food waste disposer.
- Under certain conditions, hydrogen gas may be produced in a hot water system that has not been used for 2 weeks or more. **HYDROGEN GAS IS EXPLOSIVE.** If hot water system has not been used for such a period, before using dishwasher, turn on all hot water faucets and let water flow from each for several minutes. This will release any accumulated hydrogen gas. **HYDROGEN GAS IS FLAMMABLE.** Do not smoke or use an open flame during this time.
- Do not store or use combustible materials, gasoline or other flammable vapors and liquids in the vicinity of this or any other appliance.
- Do not wash plastic items unless marked "dishwasher safe" or the equivalent. If not marked, check with manufacturer for recommendations. Items that are not dishwasher safe may melt and create a potential fire hazard.
- To avoid entrapment and/or suffocation, remove door or door latch mechanism from any dishwasher that is discarded or not in use.

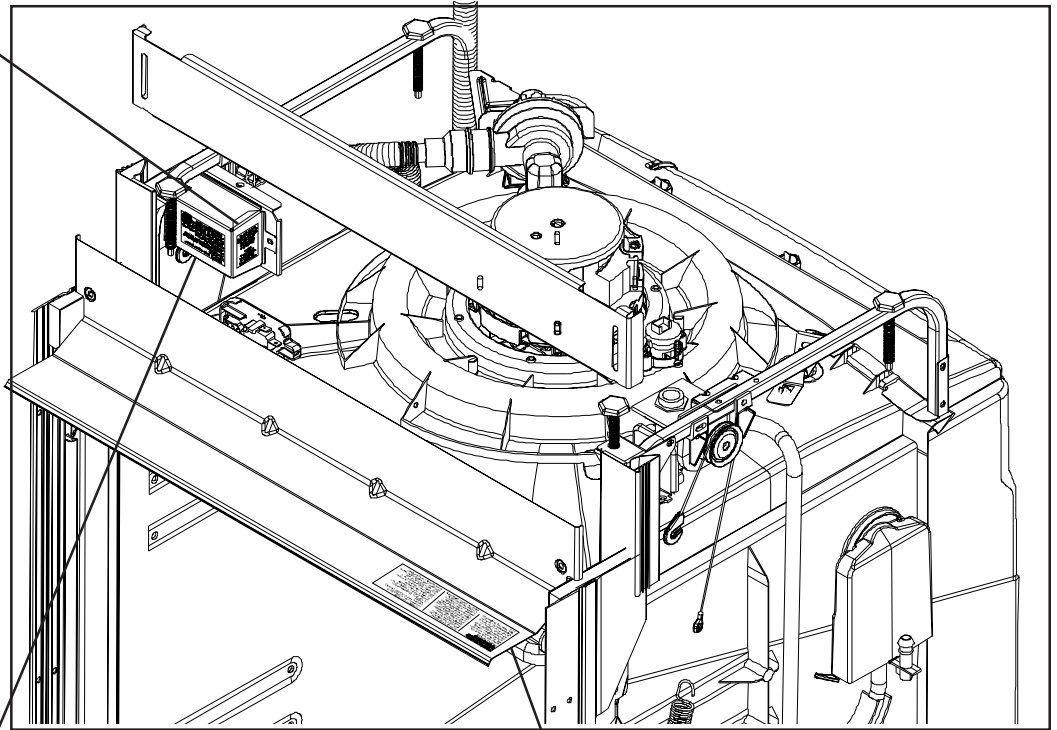
Important Safety Information

PRECAUCIÓN:

Desconecte la energía eléctrica antes de darle servicio.

ATENCIÓN:

Solamente use conductores de cobre. Use cables de suministro adecuados para 75° (167°F).



CAUTION: Disconnect electrical power before servicing.

ATTENTION: Use copper conductors only. Use supply wires suitable for 75°C (167°F).

ATTENTION: Débrancher de l'alimentation électrique avant tout dépannage.

ATTENTION: Utiliser des conducteurs en cuivre uniquement. Utiliser des fils d'alimentation pouvant supporter une température de 75°C (167°F).



GROUNDING: This unit must be grounded in accordance with local and/or national electric codes.

WARNING: The heating element, drain pump, harness clip, dispenser mount, and water valve are intentionally not grounded and may present a risk of electrical shock only during servicing. Discharge motor capacitor before servicing. Failure to follow these instructions can result in death, serious injury, fire, or electrical shock.

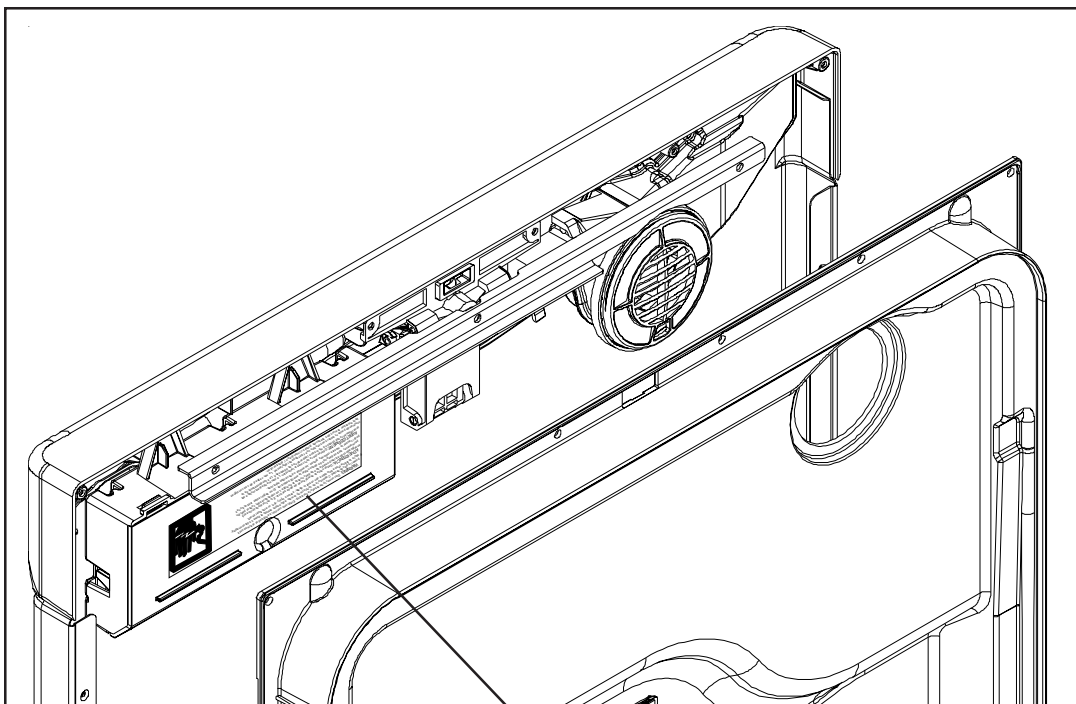
MISE À LA TERRE: Cet appareil doit être relié à la terre conformément aux codes électriques locaux et/ou nationaux.

AVERTISSEMENT: La résistance, la pompe de vidange, l'attache du hamais, la monture de distributeur et l'électrovanne ne sont pas reliés à la terre intentionnellement et peuvent présenter des risques d'électrocution uniquement en cas d'intervention de service après-vente. Décharger le condensateur avant toute intervention. Le non-respect de ces consignes peut entraîner la mort, des blessures graves, l'incendie ou l'électrocution.

CONEXIÓN A TIERRA: Esta unidad debe estar conectada a tierra de acuerdo con los códigos eléctricos locales y nacionales.

ADVERTENCIA: El elemento calentador, la bomba de drenado, el sujetador del arnés, el montaje del surtidor y la válvula de agua están sin conectar a tierra intencionalmente podrían presentar un riesgo de descargas eléctricas cuando se les da servicio solamente. El no seguir estas instrucciones podría causar la muerte, lesiones graves, incendios o descargas eléctricas.

Important Safety Information



WARNING: Disconnect power before servicing. Electronic control is energized at all times until power is disconnected. Capacitors on control may remain active after electrical power is disconnected. Failure to follow these instructions can result in death, serious injury, fire, or electrical shock.

ADVERTENCIA: Desconecte la energía antes de darle servicio. El control electrónico está energizado todo el tiempo hasta que se desconecta la energía. Los capacitores del control podrían permanecer activos después de desconectar la energía eléctrica. El no seguir estas instrucciones podría causar la muerte, lesiones graves, incendios o descargas eléctricas.

AVERTISSEMENT: Débrancher avant toute intervention. La commande électronique est constamment sous tension à moins que l'appareil ne soit débranché. Les condensateurs de la commande peuvent rester sous tension une fois l'appareil débranché. Le non-respect de ces consignes peut entraîner la mort, des blessures graves, l'incendie ou l'électrocution.



General Information

Model Identification

Complete registration card and promptly return. If registration card is missing:

- For Amana product call 1-800-843-0304 or visit the Web Site at www.amana.com
- For Maytag product call 1-800-688-9900 or visit the Web Site at www.maytag.com
- For Jenn-Air product call 1-800-536-6247 or visit the Web Site at www.jennair.com
- For Hoover product call 1-800-944-9200 or visit the Web Site at www.hoover.com
- For product in Canada call 1-866-587-2002 or visit the Web Sites at www.amana.com or www.maytag.com or www.jennair.com

When contacting Maytag service, provide product information located on rating plate. Record the following:

Model Number: _____
Manufacturing Number: _____
Serial or S/N Number: _____
Date of purchase: _____
Dealer's name and address: _____



Serial Label is located inside the upper left side of the door opening.

Service

Keep a copy of sales receipt for future reference or in case warranty service is required. To locate an authorized servicer:

- For Amana product call 1-800-628-5782 or visit the Web Site at www.amana.com
- For Maytag/Jenn-Air product call 1-800-462-9824 or visit the Web Site at www.maytag.com or www.jennair.com
- For Hoover product call 1-800-944-9200 or visit the Web Site at www.hoover.com
- For product in Canada call 1-866-587-2002 or visit the Web Sites at www.amana.com or www.maytag.com or www.jennair.com

Warranty service must be performed by an authorized servicer. We also recommend contacting an authorized servicer, if service is required after warranty expires.

Parts and Accessories

To order parts and accessories for your product:

- For Amana product call 1-877-232-6771 or visit the Web Site at www.amana.com
- For Maytag/Jenn-Air product call 1-800-462-9824 or visit the Web Site at www.maytag.com or www.jennair.com
- For product in Canada call 1-866-587-2002 or visit the Web Sites at www.amana.com or www.maytag.com or www.jennair.com

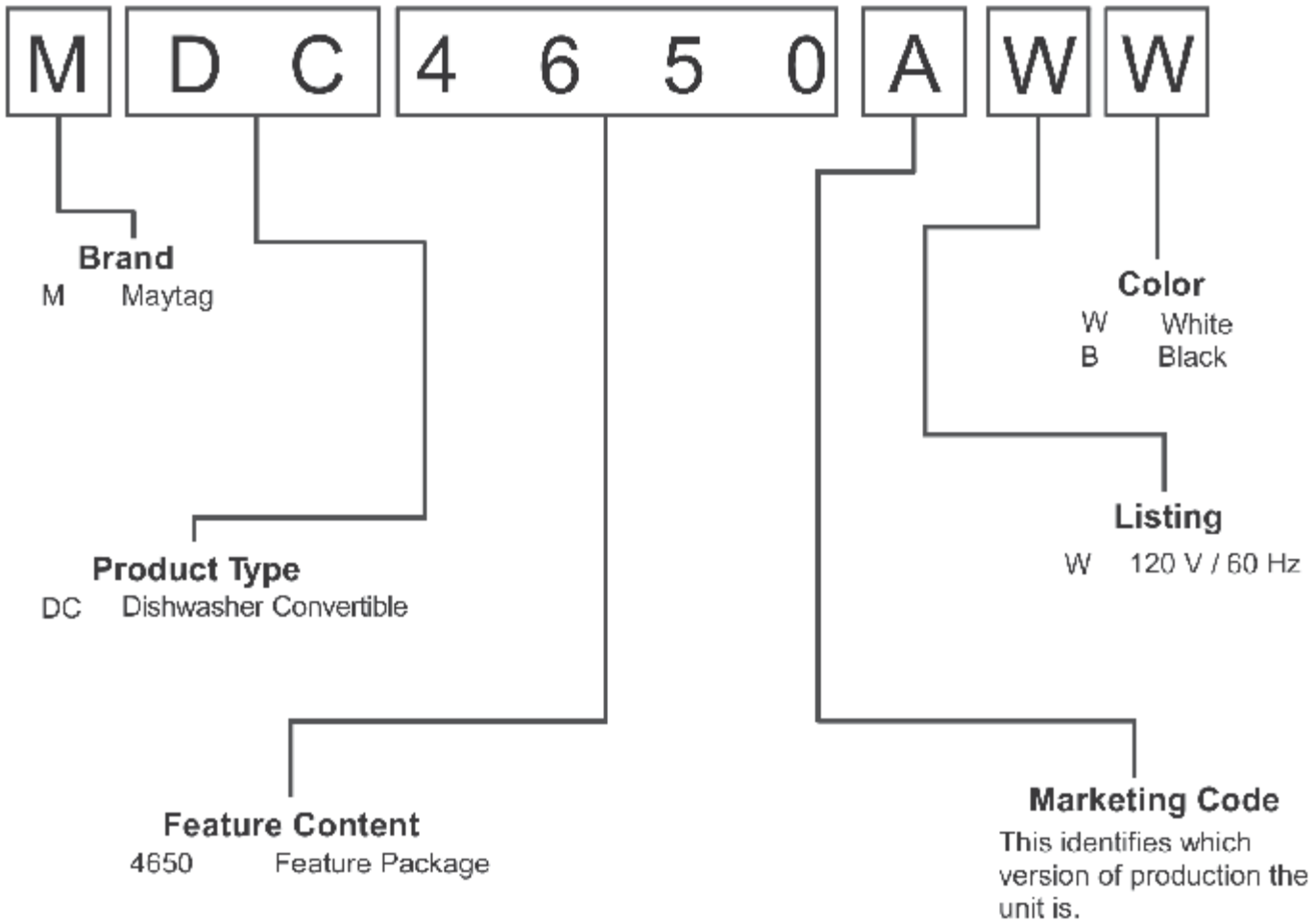
Extended Service Plan

We offer long-term service protection for this new appliance.

- Asure™ Extended Service Plan is specially designed to supplement Amana's strong warranty. This plan covers parts, labor, and travel charges. Call 1-866-232-6244 for information.
- Dependability PlusSM Extended Service Plan is specially designed to supplement Maytag's and Jenn-Air's strong warranty. This plan covers parts, labor, and travel charges. Call 1-800-925-2020 for information.

General Information

Dishwasher Nomenclature



Troubleshooting



WARNING

To avoid risk of electrical shock, personal injury, or death, disconnect electrical power source to unit and discharge capacitor through a 10,000 ohm resistor before attempting to service, unless test procedures require power to be connected. Ensure all ground wires are connected before certifying unit as repaired and/or operational.



CAUTION

Units covered in this manual are polarized. Reversing polarity of a unit or any of its components will cause damage. To avoid reversing polarity, any wires disconnected or removed during service *must* be reconnected to the same location. To ensure wires are reconnected to the proper location, tag or otherwise mark the wires before disconnecting or removing.

Will Not Fill

Water Access Valve

Check to determine if the valve is turned on and water is available to the Dishwasher. Check water pressure.

Circuit Breaker/Fuse

Check for tripped breaker or blown fuse. Reset or replace as necessary.

Door Latch

Check door switches for continuity. With door switches engaged, no continuity, replace switch.

Float

Check float position. If in the up position, check for obstruction or disengagement from the Float Switch Arm.

Float Switch

If the float is in the down position, check the switch for continuity. If no continuity, replace the Float Switch.

Water Valve

Check Solenoid for continuity. No continuity, replace Water Valve. Check Inlet Screen for restrictions. Clean screen or replace Water Valve as necessary. (See section 5).

Wiring/Electrical Connections

Check for loose or frayed wire terminal connections. Check for broken wire within harness. Repair or replace as necessary.

Overflows

Water Valve

Check that water continues to flow when electrical power is turned off. If the water continues to flow without electrical power, replace Water Valve.

NOTE: Low water pressure can result in failure of the Water Valve to close properly.

Float

Ensure that the Float isn't stuck in the down position. Check for sediment buildup. Clean and/or replace as necessary.

Float Switch Actuator Lever

Check the actuator lever on the bracket. It must be able to move freely. Repair or replace as necessary. (See section 5).

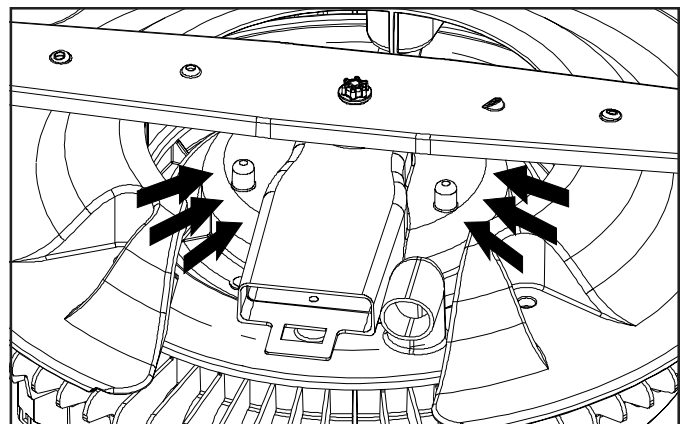
Float Switch

Check Float Switch for continuity with the Float in the up position. If continuity is present and Float moves up and down freely, replace Float Switch.

Poor Water Circulation

Water Level - Too Low

Normal water fill should be at level depicted by arrows.



Pump Assembly

Check assembly for obstructions or restricted movement of parts. Repair and/or replace parts as necessary.

Troubleshooting



WARNING

To avoid risk of electrical shock, personal injury, or death, disconnect electrical power source to unit and discharge capacitor through a 10,000 ohm resistor before attempting to service, unless test procedures require power to be connected. Ensure all ground wires are connected before certifying unit as repaired and/or operational.

Filters

Check for blockage of Strainer, Over Pressure Filter.
Repair as necessary.

Poor Washability

Spray Arms

Check all Spray Arms for blockage of water ports or cracks. Check for proper rack loading to avoid interference with Spray Arms during wash action. Check for proper sealing, fastening, and movement of Spray Arms. Repair as necessary.

Filters

Check for blockage of Strainer, Primary Filter, and Filter Support. Repair as necessary.

Detergent Cup Cover

Check spring hinge operation of Detergent Cup Cover.
Repair as necessary.

Detergent Cup

Check operation of Detergent Cup Assembly, Wax Motor, Actuator, Linkage, and Cover Latch. Repair and/or replace parts as necessary. **Note:** For testing of Wax Motor, see Section 2.

Rinse Dispenser

Check level of rinse aid in reservoir. Check rinse aid dispenser setting.

Wash Delivery System

Check manifold and Docking Station for good seal and no leaks.

Will Not Drain

Inadequate Drainage

Check Drain Pump for proper operation. Check the drain pipe connections and repair as needed. If draining into the garbage disposal, check for unprocessed food waste at drain hose connection to disposer. Clean out as needed.

Drain Hose

Check drain hose for kink or restrictions. Reroute or remove any restriction of drain hose as needed.

Pump Assembly

Check pump assembly for obstructions or restricted parts. Repair or replace parts as necessary.

Wiring/Electrical Connections

Check for loose or frayed wire terminal connections. Check for broken wire within harness. Repair or replace as necessary.

Continues To Drain

Control Board

Check Control Board for proper operation.

Poor Drying

Water Temperature

Check for low water temperature. Temperature should be between 120 - 150 degrees Fahrenheit. If not, advise consumer to adjust water heater setting. Encourage consumer to purge water lines to the dishwasher area prior to starting the dishwasher.

Cycle Options

Advise consumer use of options available on dishwasher that improve drying. Options that improve drying are Heated Dry, and 160° Wash.

Detergent

Check water hardness. Instruct consumer on detergent usage, one teaspoon of detergent per grain of water hardness.

Rinse Dispenser

Check level of rinse aid in reservoir. Check dispenser setting under cap. Use "MAX" for hard water conditions.

Improper Rack Loading

Check how the consumer loads the dishes into the racks. Improper loading of some types of dishes can trap water which causes dishes not to dry.

Heating Element

Check load readings listed on Technical Sheet located behind Toe Panel.

Troubleshooting



WARNING

To avoid risk of electrical shock, personal injury, or death, disconnect electrical power source to unit and discharge capacitor through a 10,000 ohm resistor before attempting to service, unless test procedures require power to be connected. Ensure all ground wires are connected before certifying unit as repaired and/or operational.

Thermostat

Check mating surface of the High Limit Thermostat face to surface of tub enclosure. Contact area must be flat. Adjust the thermostat placement if necessary. See Technical Sheet, located behind Toe Panel for thermostat data.

Water Leaks

Installation

Check Dishwasher for proper leveling and squareness in cabinet.

Door Alignment

Check proper alignment of Door Liner to Door Gasket.

Door Gasket

Check for torn or damaged Door Gasket. Repair or replace as necessary.

Hoses

Check for loose hose clamps or hoses that leak. Tighten hose clamps or replace hoses as needed.

Spray Arms / Manifold

Check for cracks and replace as necessary.

Detergent / Rinse Aid Dispenser Seal

Check Rinse Aid Dispenser Seal for proper positioning or cracking. Reposition or replace as needed.

Water Valve

Check Water Valve body for damage and leaks. Replace if necessary. Also, check plumbing connections to Water Valve.

Wash Motor Assembly

Check for water leak between Pump Assembly and tub.

Drain Pump Assembly

Check Pump Assembly Housing for cracks. Check Drain Pump "O" ring for leaks.

Noise

Banging

Check for loose Spray Arms. Check for dishes interfering with Spray Arm rotation. See loading information in the User's Guide at the end of this manual.

Hammering/Chattering

Check Water Valve for noise, low voltage, or high valve coil resistance. Replace Water Valve if needed. Also, check incoming water supply line for proper size and pressure. Make sure the supply line is secured.

Grinding

Check for objects in Pump Assembly. If objects are found, inspect Pump Assembly for damage. Repair as needed.

Vibration

Check components for source of vibration. Adjust and/or tighten as needed.

Will Not Start Or Program

Control Board

Check incoming voltage to Control Board.

Membrane Switch

Check for proper operation of Membrane Switch. See membrane readings on the Technical Sheet located behind toe panel.

NOTE: Make sure the pin connectors are making proper contact with pins on the Control Board. If the voltage is correct into the Control Board, and the board will not activate, replace board.

Will Not Fill

Water Valve

Check Water Valve circuit. See Technical Sheet for water valve data located behind toe panel.

NOTE: Make sure the pin connectors are making proper contact with pins on the Control Board.

Troubleshooting



WARNING

To avoid risk of electrical shock, personal injury, or death, disconnect electrical power source to unit and discharge capacitor through a 10,000 ohm resistor before attempting to service, unless test procedures require power to be connected. Ensure all ground wires are connected before certifying unit as repaired and/or operational.

Will Not Wash

Wash Motor

Check Wash Motor circuit. See data listed on the Technical Sheet, located behind Toe Panel.

Will Not Drain

Drain Motor

Check Drain Motor circuit. See data listed on the Technical Sheet, located behind Toe Panel.

Will Not Dry

Vent Assembly

Check Vent Assembly for proper operation. Check Wax Motor.

Heating Element

Check Heating Element circuit. See data listed on the Technical Sheet, located behind Toe Panel.

Manual Function Test

See Technical Sheet, located behind Toe Panel.

Field Service Test

See Technical Sheet, located behind Toe Panel.

Testing Procedures

Electrical Test Equipment

The equipment required to service these models depends largely upon the condition encountered. Locating a malfunction will often require the use of electrical testing equipment such as:

Appliance Test Meter
Clamp-On Ammeter
Motor Test Cord

Appliance Test Meter

An Appliance Test Meter is a multi-purpose tester combining an AC/DC voltage tester with a multi-range ohmmeter.

The easiest means of testing electrical components is "Continuity Testing" with an appliance meter. Continuity is a complete or continuous path from one point in an electrical circuit to another.

The obvious advantages of being able to check electrical components and circuits without power applied is one of the features of the Ohmmeter. Multiple ranges allow accurate determination of resistances of both single components and entire circuit paths. Resistance is measured in "Ohms."



WARNING

To avoid risk of personal injury or death due to electrical shock:

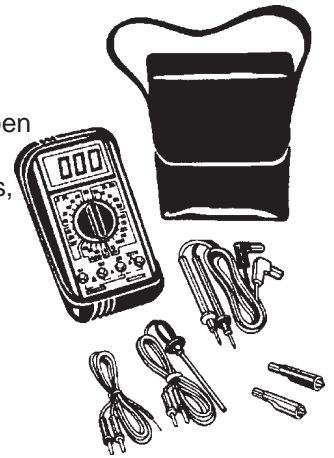
Always be sure the power has been disconnected before making resistance measurements. Failure to do so will also result in damage to your meter! Internal batteries provide all the power needed to make resistance checks. They should be checked at least once a year and replaced as needed.

Continuity Testing: is a process of eliminating electrical components involved in a given function of the appliance, until the inoperative part is found. By reviewing the list of possible electrical problems under a given condition, and then performing appropriate continuity checks of the parts involved, you should be able to locate the electrical component which is inoperative.

NOTE: When checking components or circuit paths for continuity, external wiring should be disconnected to eliminate false readings through external paths. Isolate what you want to test.

Digital Test Meter

can be used to check for open or closed circuits, measure resistance, AC and DC volts, and temperature.



Analog Test Meter

can be used to check for open or closed circuits, measure resistance, AC and DC volts, and temperature.



Testing Procedures

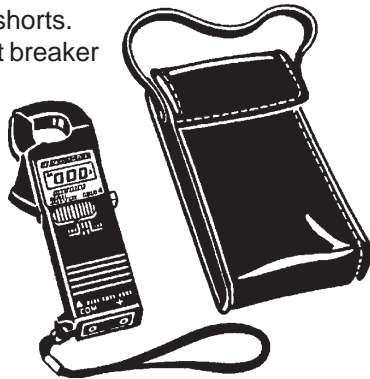
Voltage Checks

Generally, these checks will consist of taking readings at the wall receptacle in order to determine the availability of voltage to the product. Voltage checks on individual components of a product are not recommended due to the possibility of electrical shock. Component part testing is best accomplished through continuity checks with an Appliance Test Meter.

NOTE: Use of the meter on voltage higher than the indicated range may cause permanent damage to the meter. To prevent damage, first select highest range and then lower the range for readings which fall within the lower scale.

Clamp-On Ammeter

can be used to detect shorts. Overloads on the circuit breaker or fuse can be traced to either the appliance or circuit breaker by checking the current draw.



Each circuit in an appliance has a "Normal" current draw, which is an indication of the performance of that circuit. Current draw levels of less than or more than normal give clues to possible malfunctions. The clamp-on ammeter measures these circuits without breaking the circuit by measuring the strength of the magnetic field developed around each conductor. Current is read by separating the conductors and clamping the jaws of the ammeter around each conductor on which current is read. Low amperage readings indicate problems, such as damaged heating elements, etc. High amperage readings indicate the unit being tested is operating under an increased mechanical or electrical load.

NOTE: Overloads on a circuit breaker or fuse can be traced to the product being tested or the circuit breaker (or fuse) by checking the products current draw. If the amperage reading is less than the breaker reading, the breaker or fuse box is at fault.

Use of Ammeter on dishwasher:

1. **Motor Current** - the reading can be taken at the leads on the motor start relay or at the male connector.
2. **Heating Element Current** - The reading can be taken using either lead to the element.

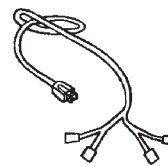
Motor Test Cord

DANGER

To avoid risk of personal injury or death due to electrical shock:

- Disconnect electrical power to dishwasher before servicing.
- Always plug test cord into a properly grounded receptacle.
- Always make connection to components before plugging test cord into receptacle.

A motor test cord may be used to electrically check operation of the various electrical components without removing them from the unit. Testing in this manner merely determines whether or not the part will function independently of other electrical components. In order to make accurate tests, proper connection of the motor test cord is important. With the aid of the drawings under Drive Motor Test, installation of the motor test cord may be done quickly and accurately.



Grounding and Polarity

DANGER

To avoid risk of personal injury or death due to electrical shock:

- Do not cut or remove the grounding prong from any plug.

The receptacle used for all Maytag products operating on 120 VAC must be properly grounded and polarized.

The power cord used on the appliances should be equipped with a three (3) prong polarized grounding plug

Testing Procedures

for protection against shock hazard and should be plugged directly into a properly grounded and polarized receptacle.

It is the responsibility of the person installing the appliance to assure it is adequately grounded and polarized at the point of installation, taking into consideration local conditions and requirements. In cases where only a two (2) prong receptacle is available, it is the personal responsibility of the consumer to have it replaced with a properly grounded three (3) prong receptacle. All grounding and wiring should be done in accordance with National, State, and Local codes. **DO NOT USE AN ADAPTER PLUG WITH THIS APPLIANCE.**

ELECTRICAL TESTS



WARNING

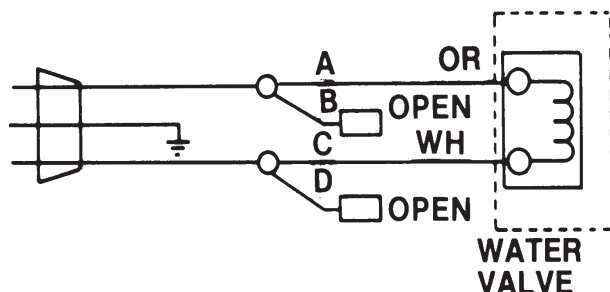
To avoid risk of personal injury or death due to electrical shock:

- Disconnect electrical power to dishwasher before servicing.
- Always plug test cord into a properly grounded receptacle.
- Always make connection to components before plugging test cord into receptacle.

Water Valve Test

The Water Valve may be checked without removing it from the Dishwasher.

To check the Water Valve for operation, hook up the test cord as follows:

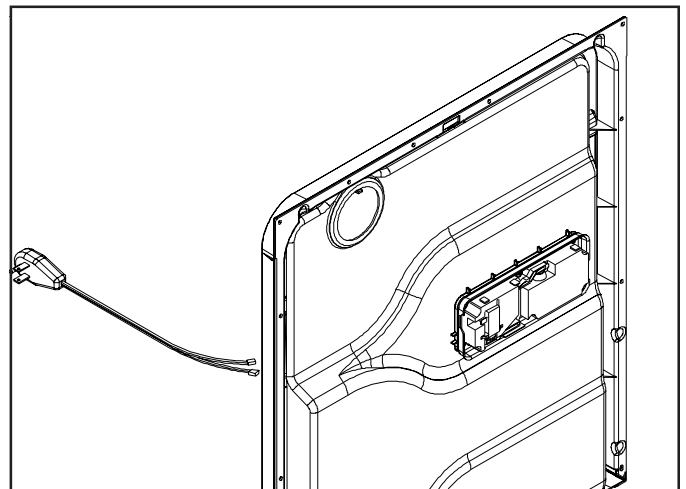


Wax Motor Check

Detergent / Rinse Aid Dispenser

A single Wax Motor is used to activate both the release of the Detergent Cup Cover and the rinse aid from the reservoir.

To check the operation of the Wax Motor, removal from the Dispenser Retainer or Inner Door is not necessary. First, snap the Detergent Cup Door shut. Then, connect a Power Test Cord across the two terminals of the Wax Motor. Plug the Power Test Cord into a 120 VAC receptacle. The plunger in the center of the Wax Motor should "push out" and actuate the Dispenser in approximately 45-60 seconds. Remove voltage to the Wax Motor and allow the plunger to retract into the Wax Motor. Apply voltage to the Wax Motor again and observe for proper lifting of the rinse aid plunger.



Testing Procedures

Wax Motor Check- Vent

A single continuous duty wax motor is used to operate the vent.

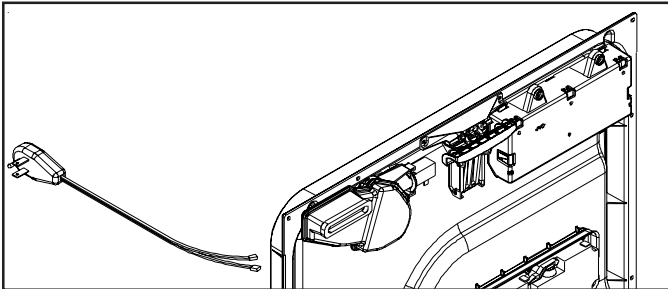


WARNING

To avoid risk of personal injury or death due to electrical shock:

- Disconnect electrical power to dishwasher before servicing.
- Always plug test cord into a properly grounded receptacle.
- Always make connection to components before plugging test cord into receptacle.

Connect a Power Test Cord across the two terminals of the Wax Motor. Plug the Power Test Cord into a 120 VAC receptacle. The plunger should extend (push out) and force the Vent Flap tight against the vent opening in approximately 45-60 seconds. When power is removed from the Wax Motor, the plunger should retract along with the Vent Flap, opening the vent.



Disassembly Procedures



WARNING

To avoid risk of electrical shock, personal injury, or death, disconnect electrical power source to unit and discharge capacitor through a 10,000 ohm resistor before attempting to service, unless test procedures require power to be connected. Ensure all ground wires are connected before certifying unit as repaired and/or operational.

The following paragraphs describe how to disassemble unit under test. Disassembly to some extent is required to install unit, to perform troubleshooting procedures, and to remove and replace failed components.

Component names used throughout disassembly procedures are the same as those used in Parts Manuals.

For quicker reassembly, disassemble unit under test only to extent necessary to troubleshoot and repair. Unless noted, reassembly is opposite of disassembly.



WARNING

To avoid risk of personal injury or death due to electrical shock, ground wires and wires colored like ground wires are **NOT** to be used as current carrying conductors. The standard accepted color coding for ground wires is **green** or **green with a yellow stripe**. Electrical components such as the water valve and motor are grounded through an individual wire attached to the electrical component. Ground wires should not be removed from individual components while servicing, unless the component is to be removed and replaced. It is extremely important to replace all removed ground wires before completing service.

Technical Sheet

The Dishwasher Technical Sheet is located behind the Toe Panel. The Schematic Diagram is unique to each model and contains the following:

- Timing Sequence Chart
- Load Readings
- Component Specifications
- Manual Function Test
- Field Service Test
- Electrical Schematic

Foil Bottom

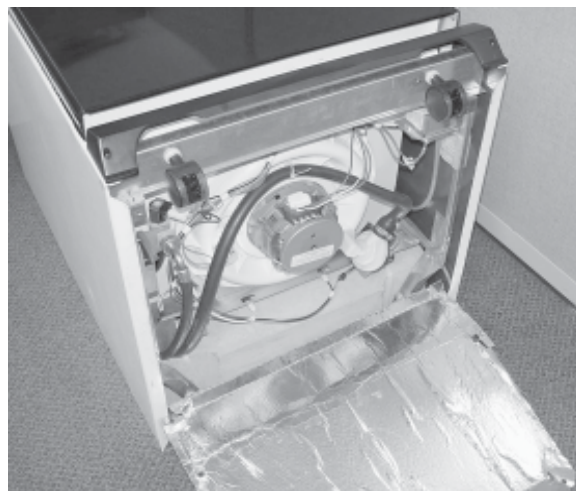
Removal

Partial removal of Foil Bottom will allow access to the Water Valve, Float Switch Assembly, Electrical Junction Box, hoses, thermostats, Start Capacitor and Motor/ Pump Assembly.

1. **Disconnect power to the machine.**
2. Lay down a protective pad. Carefully tilt the unit on its back, onto the protective pad. Remove 2 fasteners from the locations shown below .



3. Partially remove the Foil Bottom by folding down to access the Water Valve, Float Switch Assembly, Electrical Junction Box, hoses, thermostats, Start Capacitor and Motor/Pump Assembly as shown.



Disassembly Procedures



WARNING

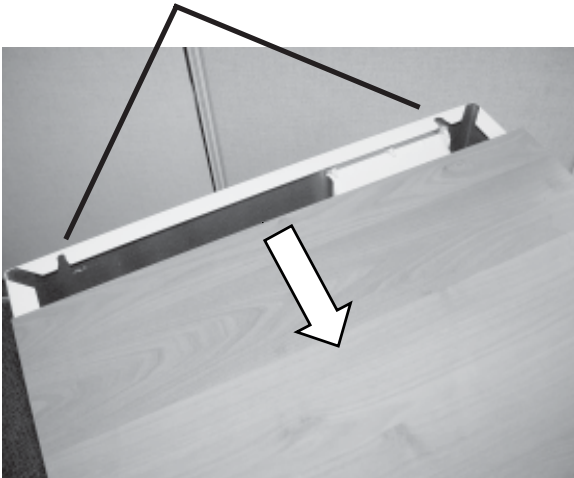
To avoid risk of electrical shock, personal injury, or death, disconnect electrical power source to unit and discharge capacitor through a 10,000 ohm resistor before attempting to service, unless test procedures require power to be connected. Ensure all ground wires are connected before certifying unit as repaired and/or operational.

Wood Top

Removal

Portable dishwashers will have a top made of wood composition core with a Formica™ laminated top and sides. Use of Formica™ has a number of advantages such as: superior moisture resistance, greater stain resistance, durability and very low maintenance.

1. **Disconnect power to the machine.**
2. Remove the 2 screws securing the top to the mounting flanges positioned under the top in front.
3. Carefully slide top forward to disengage spacer washers from slots in the rear of the cabinet flanges.



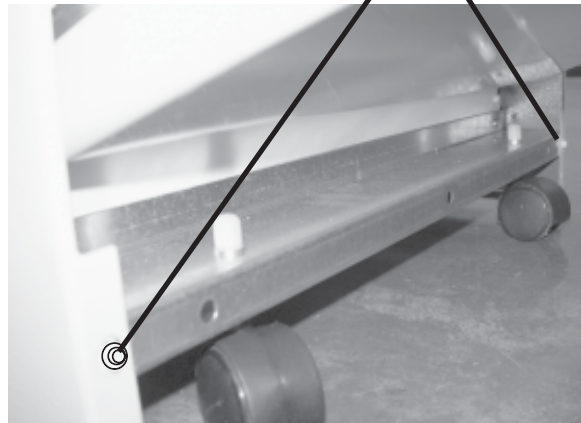
Cabinet

Removal

1. **Disconnect power to the machine.**
2. Remove Wood Top, see "Wood Top" removal procedure.
3. Open door and remove 4 screws securing the front flange of cabinet to the tub.



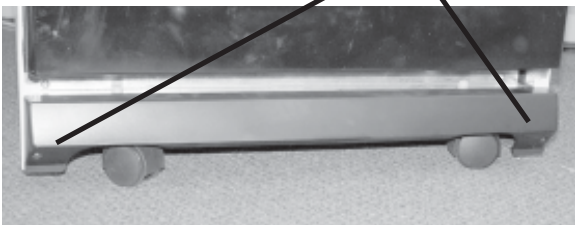
4. Remove toe panel, see "Toe Panel" removal procedure.
5. Remove the 2 front cabinet screws that secure the cabinet to the tub and base.



Toe Panel

Removal

1. **Disconnect power to the machine.**
2. The Toe Panel is held by 2 screws, one each side. Remove both screws.



Disassembly Procedures



WARNING

To avoid risk of electrical shock, personal injury, or death, disconnect electrical power source to unit and discharge capacitor through a 10,000 ohm resistor before attempting to service, unless test procedures require power to be connected. Ensure all ground wires are connected before certifying unit as repaired and/or operational.

6. Remove the 2 rear cabinet screws that secure the cabinet to the tub and base.



7. Carefully spread the front cabinet sides for clearance around the tub flange.

CAUTION: Do not bend excessively as this may cause cabinet damage in the rear corners.

8. Pull cabinet away from dishwasher.
9. Remove 5 palnuts securing the retainer for the faucet coupler on the back of the cabinet.

Faucet

Removal

The faucet coupler provides a means for filling and draining the portable dishwasher. It connects to a special adapter which in turn is connected to a faucet at a sink. When the dishwasher is not in use, the faucet coupler is stored in a retainer on the rear of the dishwasher cabinet.

1. **Disconnect power to the machine.**
2. Remove Wood Top, see "Wood Top" removal procedure.

3. Remove Foil Bottom, see "Foil Bottom" removal procedure.
4. **Disconnect power cord from the terminal box.** Disconnect the fill hose from the water valve and the drain hose from the drain pump.
5. Remove the wire tie securing the drain and fill hoses to a rib on the tub.

NOTE: Repair of the faucet coupler can be done without removing the hose assembly from the dishwasher.

Retainer - Faucet Coupler

Removal

The retainer provides a storage area for the coupler and power cord when dishwasher is not in use.

1. Remove Cabinet, see "Cabinet" removal procedure.

Casters

Removal

1. **Disconnect power to the machine.**
2. Lift or block the dishwasher up to access the casters.
3. With a screwdriver, pry the caster from the socket.

Disassembly Procedures



WARNING

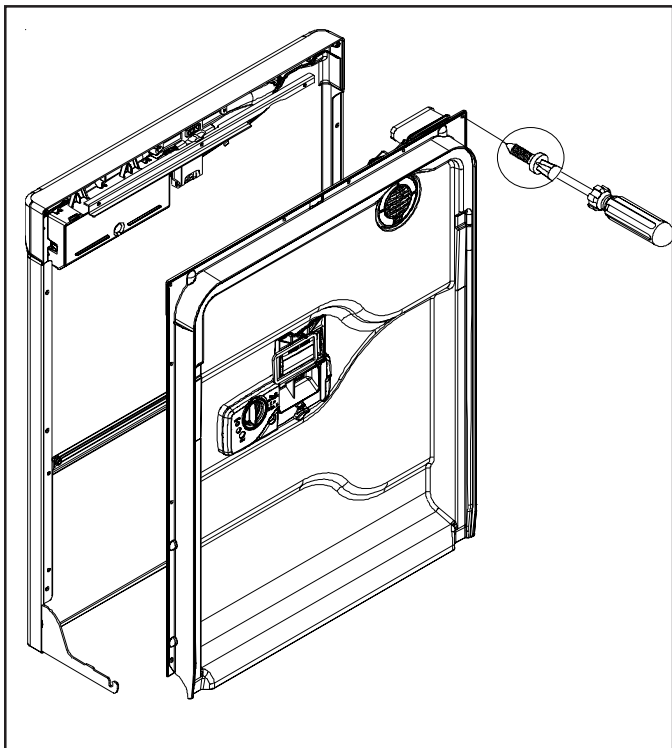
To avoid risk of electrical shock, personal injury, or death, disconnect electrical power source to unit and discharge capacitor through a 10,000 ohm resistor before attempting to service, unless test procedures require power to be connected. Ensure all ground wires are connected before certifying unit as repaired and/or operational.

Inner Door Panel

Removal of the Inner Door Panel will allow access to the Microprocessor Board, Door Switches, Detergent / Rinse Aid Dispenser, and Vent Assembly.

Removal

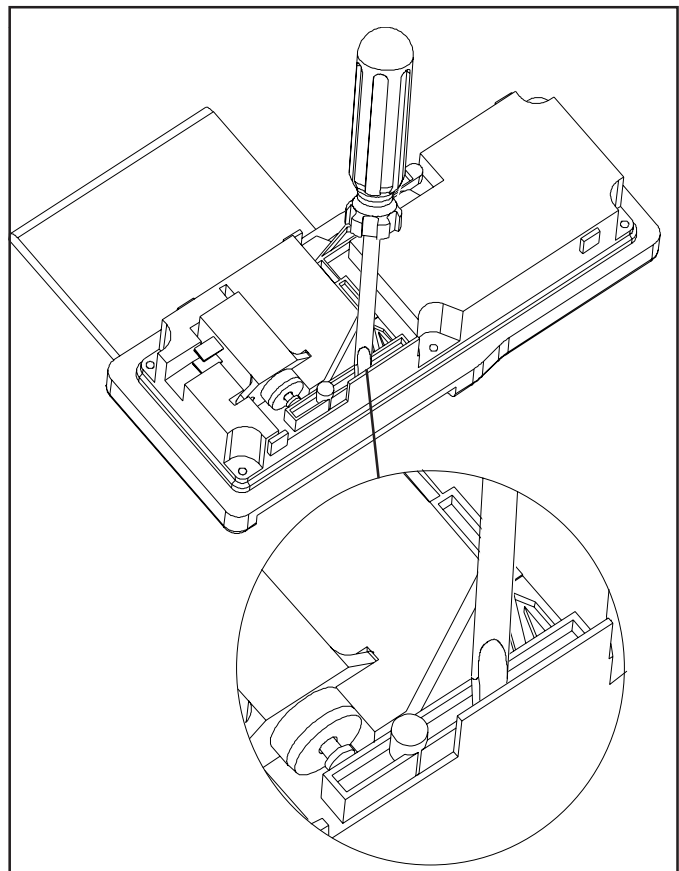
1. **Disconnect power to the machine.**
2. Open the Dishwasher door.
3. Remove the 11 Torx™ screws along the sides and top of the Inner Door Panel.
4. Separate the Inner Door Panel from the Outer Door.
5. Disconnect wires from the Vent and Dispenser Wax Motors before pulling the Inner Door Panel away from the Dishwasher.



Detergent / Rinse Dispenser Mechanism and Reservoir

Checking Operation

1. **Disconnect power to the machine.**
2. Remove the Inner Door Panel, see "Inner Door Panel" removal procedure.
3. Snap the Detergent Door shut.
4. Gently lift the lever of the dispenser mechanism until a click is heard. The Detergent Door releases. Release the lever.
5. Lift the lever again. Now the actuator will lift the Rinse Aid Plunger.



Disassembly Procedures



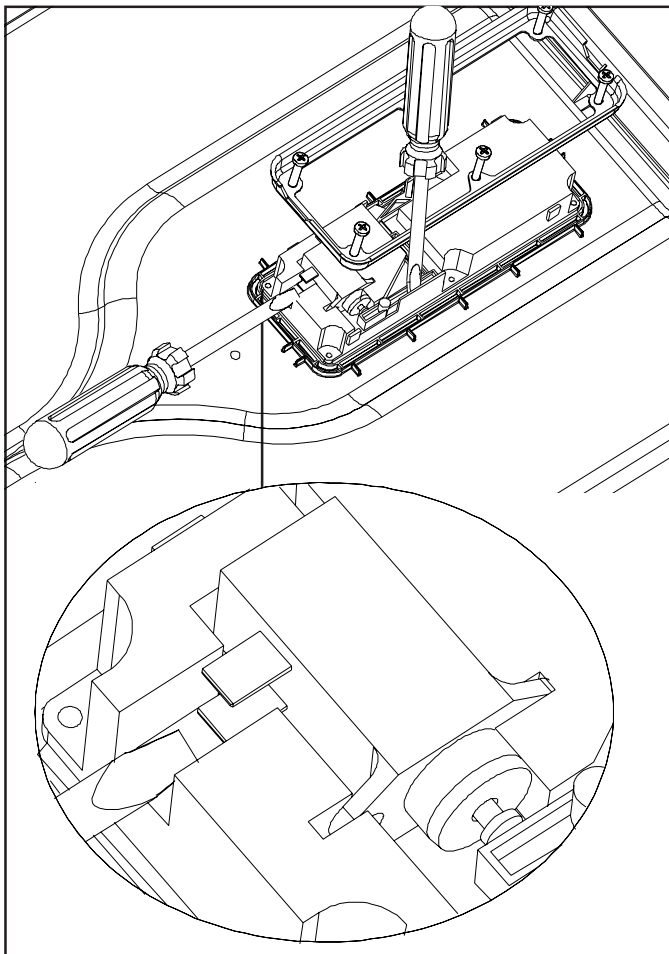
WARNING

To avoid risk of electrical shock, personal injury, or death, disconnect electrical power source to unit and discharge capacitor through a 10,000 ohm resistor before attempting to service, unless test procedures require power to be connected. Ensure all ground wires are connected before certifying unit as repaired and/or operational.

Wax Motor Detergent / Rinse Dispenser

Removal

1. **Disconnect power to the machine.**
2. Remove the Inner Door Panel, see "Inner Door Panel" removal procedure.
3. Remove the 6 mounting screws securing the Detergent Dispenser mounting bracket.
4. To remove the Wax Motor, pry out of retainer.
NOTE: It is not necessary to remove Detergent Dispenser before removing Wax Motor.

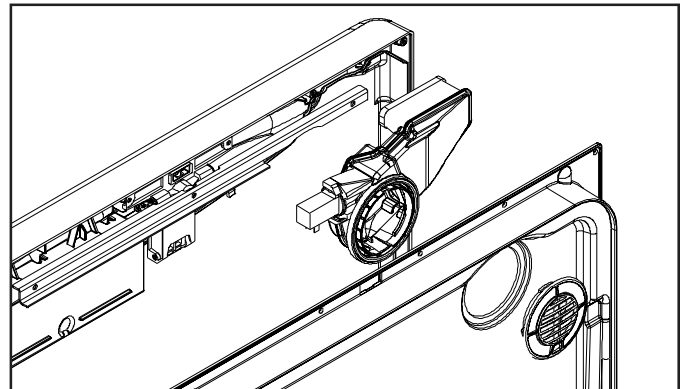


Vent

The Vent is located on the Inner Door Panel to allow moisture to be vented outside of the Dishwasher during the dry cycle.

Removal

1. **Disconnect power to the machine.**
2. Remove the Inner Door Panel, see "Inner Door Panel" removal procedure.
3. Rotate Vent Cover counter clockwise 1/4 turn and lift off.



Disassembly Procedures



WARNING

To avoid risk of electrical shock, personal injury, or death, disconnect electrical power source to unit and discharge capacitor through a 10,000 ohm resistor before attempting to service, unless test procedures require power to be connected. Ensure all ground wires are connected before certifying unit as repaired and/or operational.

Door Latch & Switch Holder Assembly

Two Door Switches are used in the Latch Assembly. Both switches are normally CLOSED and will open only when engaged by the Door Latch mechanism. Each switch is in series with respect to L1 and neutral line operations. Failure of either or both switches will result in rendering the Dishwasher inoperative.

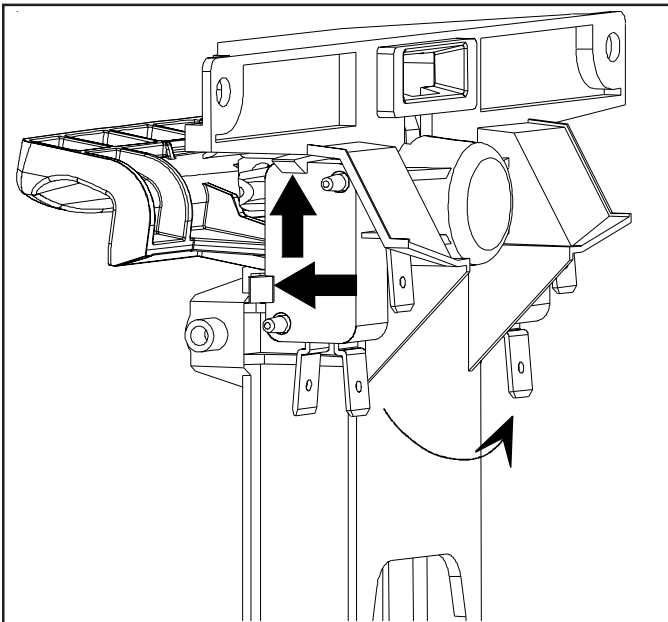
NOTE: Door Switches require no field adjustment.

Removal

1. **Disconnect power to the machine.**
2. Remove the Inner Door Panel, see "Inner Door Panel" removal procedure.
3. Lift Door Latch Assembly out.

Switch Removal

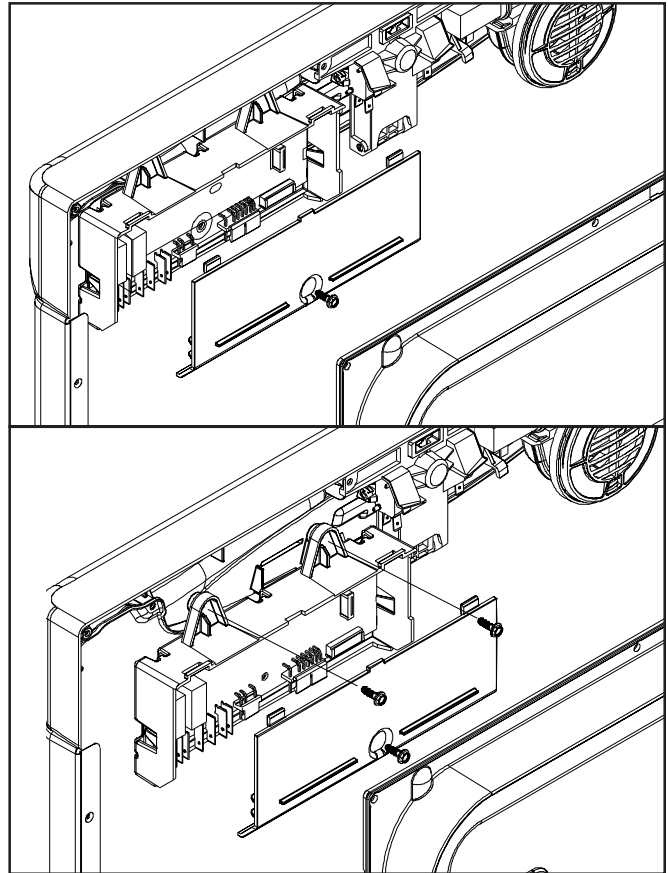
1. **Disconnect power to the machine.**
2. Remove the Inner Door Panel, see "Inner Door Panel" removal procedure.
3. Remove Door Latch and Switch Holder Assembly.
4. Depress locking tabs and lift switch from holder.



PC Board

Removal

1. **Disconnect power to the machine.**
2. Remove the Inner Door Panel, see "Inner Door Panel" removal procedure.
3. To access PC Board, remove 1/4" screw on PC Board Housing Cover.
4. To remove PC Board, loosen (2) 1/4" screws securing PC Board Base to Control Panel.
5. Remove pin and ribbon connectors from PC Board.
6. Depress tabs on PC Board Housing to remove PC Board.



Disassembly Procedures

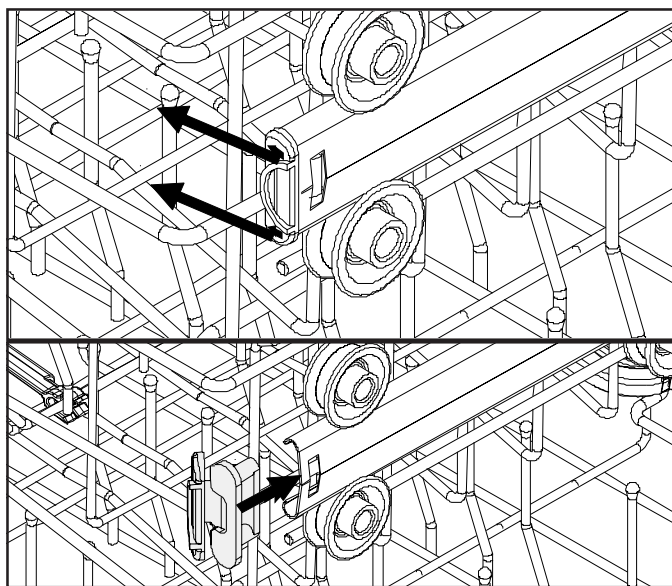


WARNING

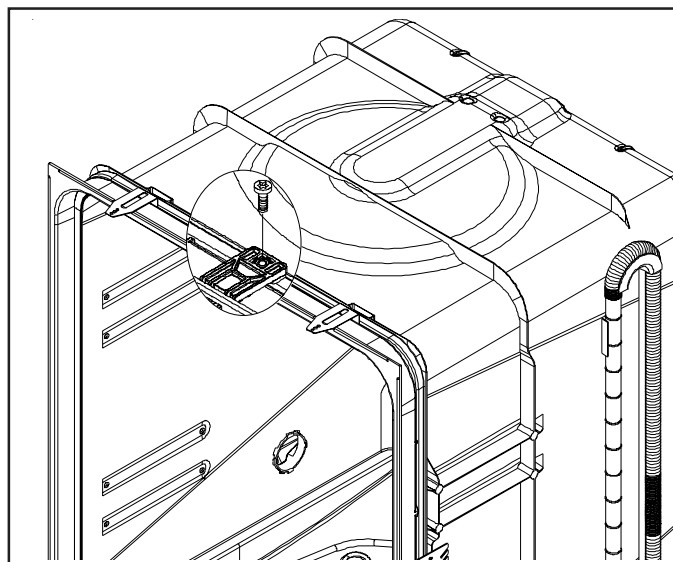
To avoid risk of electrical shock, personal injury, or death, disconnect electrical power source to unit and discharge capacitor through a 10,000 ohm resistor before attempting to service, unless test procedures require power to be connected. Ensure all ground wires are connected before certifying unit as repaired and/or operational.

Upper Rack Removal

To remove Upper Rack, remove Rack Stops. Unlatch stop by moving as shown in direction of arrow toward center of Tub.



3. Remove Torx™ screw securing Strike to Tub.



Tub Wheels

To remove, unlatch rear Rack Stop. Slide track out of Dishwasher. Remove tub wheel shaft with Torx™ driver.

NOTE: Tub wheel shaft contains a small steel washer.

Door Latch Strike

The Door Latch serves as a mechanical actuator for Door Switch operation and provides door tension for proper door seal.

Removal

1. Disconnect power to the machine.
2. Remove Wood Top, see "Wood Top" removal procedure.

Control Panel

The Membrane/Facia on the Control Console is not replaceable.

Removal

1. Disconnect power to the machine.
2. Remove the Inner Door Panel, see "Inner Door Panel" removal procedure.
3. Remove PC Board Housing Cover, see "PC Board" removal procedure.
4. Disconnect Membrane Switch from PC Board.
5. Remove PC Board Base.
6. Lift out Latch Assembly.
7. Remove 4 screws securing Control Panel to Outer Door.

NOTE: Facia is susceptible to damage during reinstallation.

Disassembly Procedures



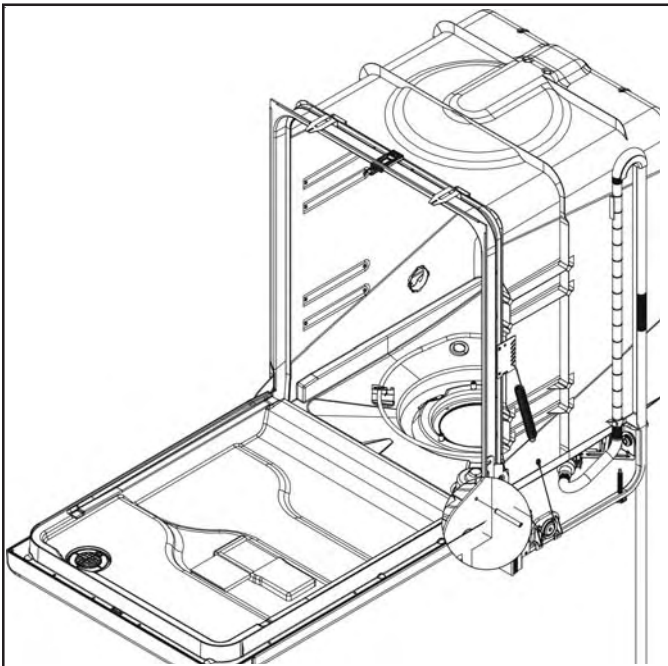
WARNING

To avoid risk of electrical shock, personal injury, or death, disconnect electrical power source to unit and discharge capacitor through a 10,000 ohm resistor before attempting to service, unless test procedures require power to be connected. Ensure all ground wires are connected before certifying unit as repaired and/or operational.

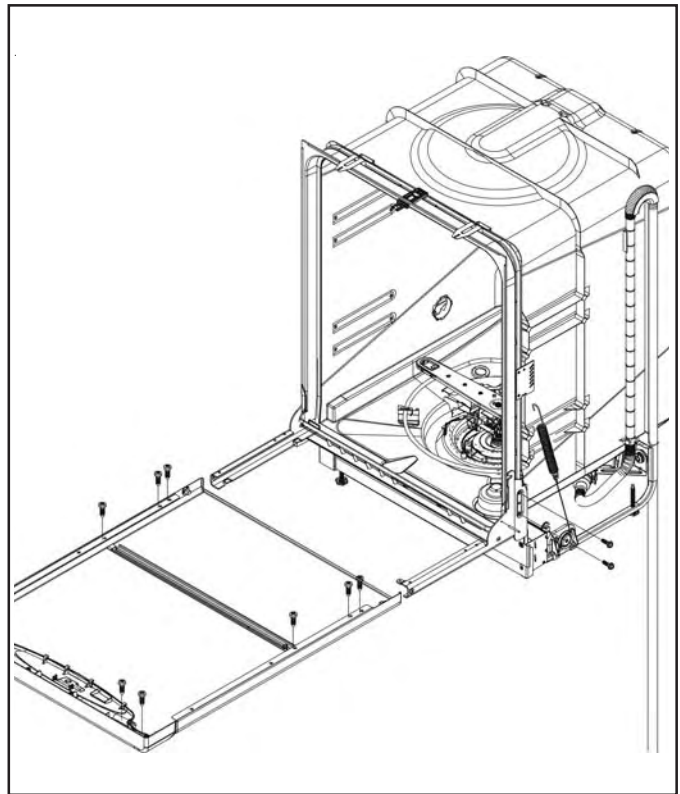
Outer Door Panel

Removal

1. **Disconnect power to the machine.**
2. Remove the Inner Door Panel, see "Inner Door Panel" removal procedure.
3. Remove 2 screws securing PC Board Base to Inner Door Panel.
4. Lift off Latch Assembly.
5. Lay Outer Door to it's fully open position.
6. Prop door open, by inserting an object into the 1/8" dia. hole in hinge bracket.



7. Remove 4 screws securing Control Panel to Outer Door.
8. Remove 4 screws securing Outer Door to Door Hinges. (2 each side).
9. Slide Outer Door off of Door Hinges.



Door Hinge and Support

Removal

1. **Disconnect power to the machine.**
2. Remove the Outer Door Panel, see "Outer Door Panel" removal procedure.
3. Remove Cabinet, see "Cabinet" removal procedure.

Disassembly Procedures



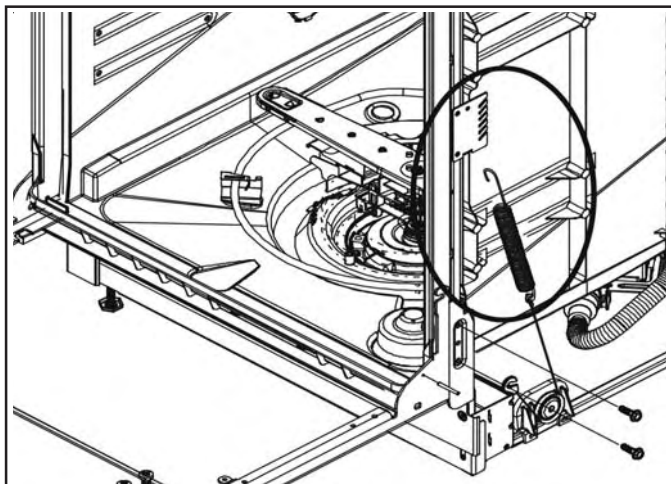
WARNING

To avoid risk of electrical shock, personal injury, or death, disconnect electrical power source to unit and discharge capacitor through a 10,000 ohm resistor before attempting to service, unless test procedures require power to be connected. Ensure all ground wires are connected before certifying unit as repaired and/or operational.



WARNING

Do not remove Door Prop until tension is relieved from door spring.



4. Disconnect Cable Link from Hinge. (See warning above).
5. Lift Hinge out of Hinge Support.
6. Remove 2 attachment screws if replacing hinge support.

NOTE: Always point spring hooks toward the Dishwasher.

Door Spring

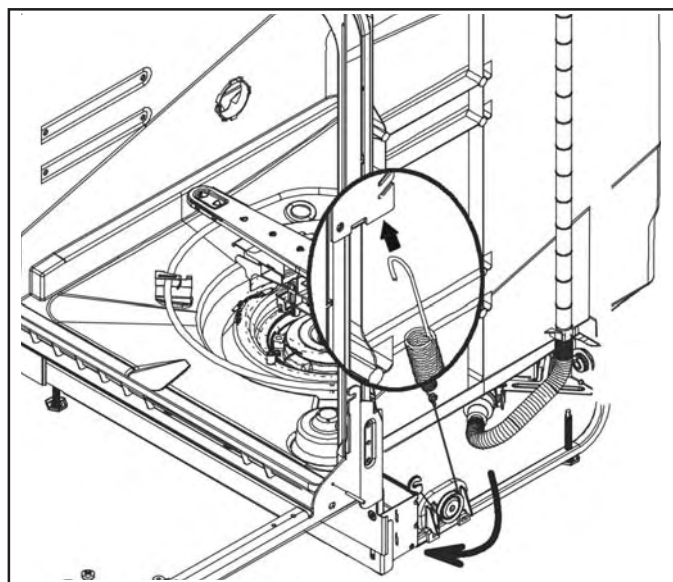
The Door Springs provide a counter balance to the weight of the door.

The Door Spring position is preset by model at the factory. If possible note the position of the spring. This may be determined by wear marks. Door Spring adjustment Brackets are located on the lower right and left side of the Dishwasher. Spring tension is achieved by positioning the spring in the slots provided. The higher position increases spring tension.

Door Spring and Component Replacement

NOTE: Always point spring hooks toward the Dishwasher.

1. Disconnect power to the machine.
2. Remove Cabinet, see "Cabinet" removal procedure.
3. Attach Door Cable Link to Door Hinge.
4. Attach Cable to Cable Link.
5. Route Cable under Cable Roller.



6. Attach Cable to short hook of Spring.
7. Place large hook end of Spring into Spring Adjustment Bracket in proper location.

NOTE: To replace Cable Bracket, remove 2 Torx™ screws securing bracket to frame. See procedure above for reassembly of Spring and Cable.

Disassembly Procedures



WARNING

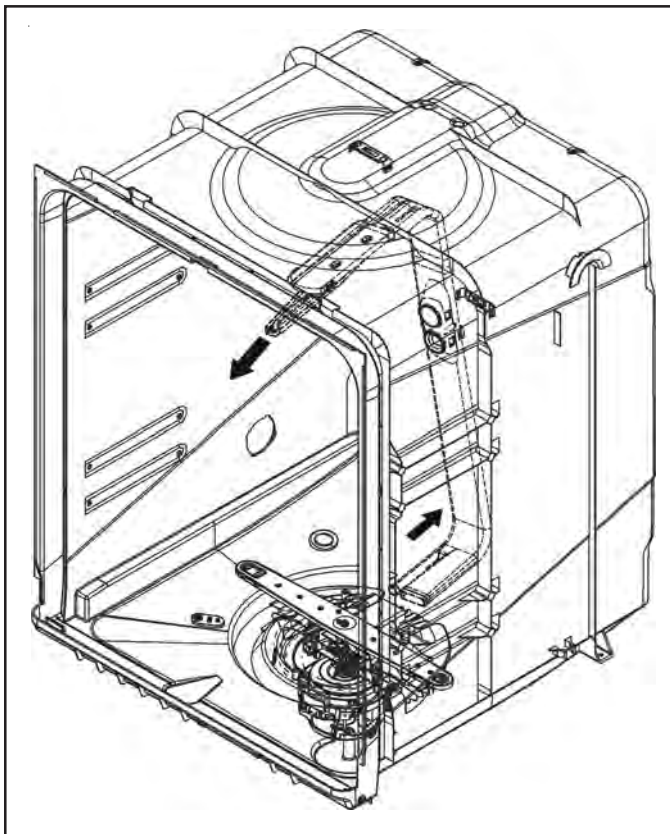
To avoid risk of electrical shock, personal injury, or death, disconnect electrical power source to unit and discharge capacitor through a 10,000 ohm resistor before attempting to service, unless test procedures require power to be connected. Ensure all ground wires are connected before certifying unit as repaired and/or operational.

Manifold

Water is supplied to the Top and Center Wash Arms through this tube via the Pump Assembly. The Manifold attaches to the Pump Assembly and runs vertically up the rear and along the top of the Dishwasher Tub. The Manifold is attached to the Tub with a clip.

Removal

1. **Disconnect power to the machine.**
2. Remove Racks, Stops, and Rack Assemblies.
3. Spread Manifold Clips located on the back and top of Tub.
4. Tip top of Manifold towards door opening slightly. Disengage the snap located on the bottom of the Manifold, locking the Manifold to the Discharge Housing.
5. Slide Manifold back and out of the Pump Assembly.

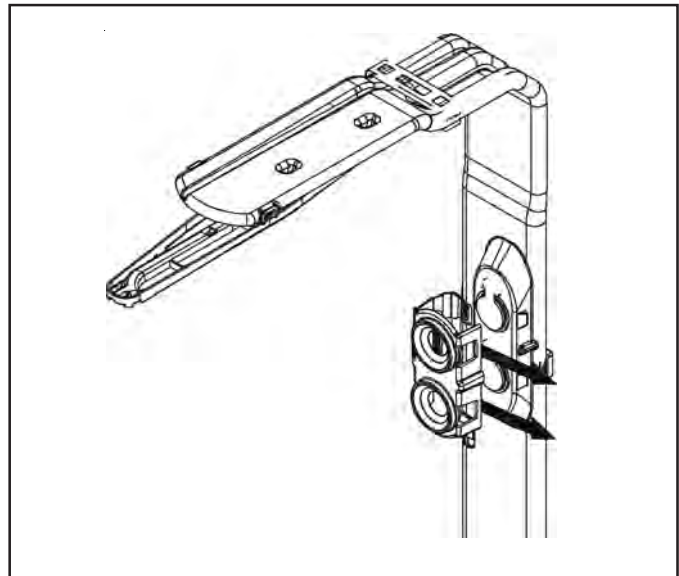


Docking Station

The purpose of the Docking Station is to seal the water flow to the upper rack Wash Arm.

Removal

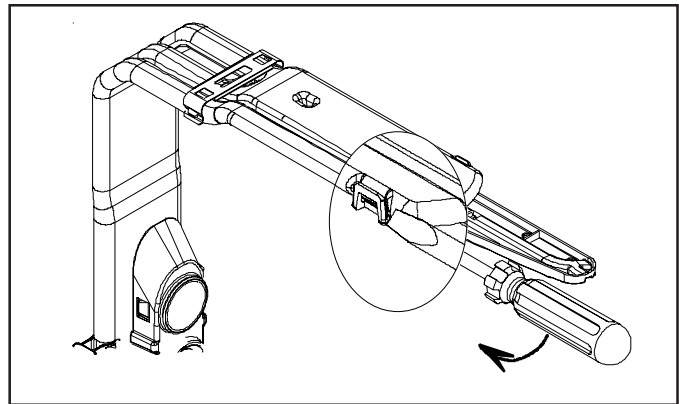
1. Slide Upper Rack forward to gain access to Docking Station.
2. Spread sides of Docking Station and remove from Manifold.



Top Wash Arm

Removal

1. Spread locking tabs and remove Wash Arm Retainer.



Disassembly Procedures



WARNING

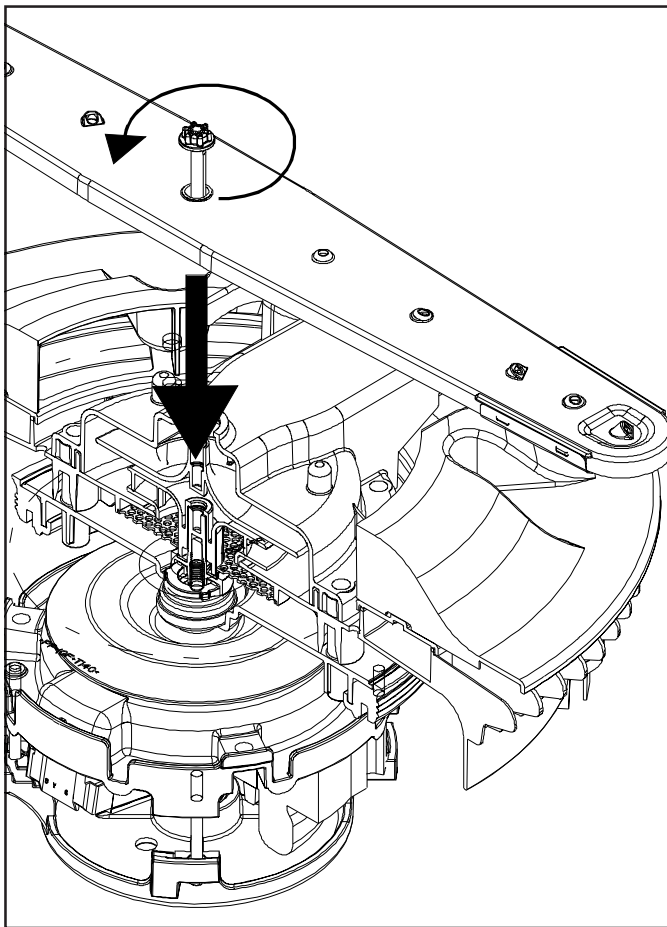
To avoid risk of electrical shock, personal injury, or death, disconnect electrical power source to unit and discharge capacitor through a 10,000 ohm resistor before attempting to service, unless test procedures require power to be connected. Ensure all ground wires are connected before certifying unit as repaired and/or operational.

Lower Wash Arm

Water is supplied to the Lower Wash Arm via the Pump Assembly.

Removal

1. **Disconnect power to the machine.**
2. Remove lower Rack Assembly.
3. Loosen Wash Arm Hub and Pivot.
4. Lift Wash Arm out of Dishwasher.

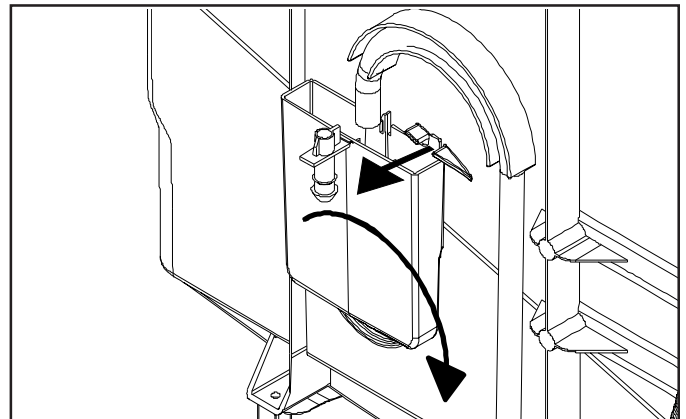


Air Water Inlet

The Air Water Inlet is located on the left side of the Tub, and mounted to the exterior of Tub.

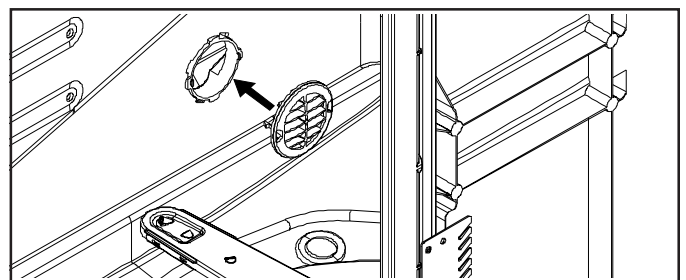
Removal

1. **Disconnect power to the machine.**
2. Remove Cabinet, see "Cabinet" removal procedure.
3. Remove the Air Water Inlet Cover located on the left inside wall of Tub. Pull cover straight out to remove.
4. Carefully pull back insulation from the left side of the Tub.
5. Remove rubber hose from channel in Tub, or slip off of fitting on inlet.
6. Grasp upper portion of the Air/Water Inlet. Pull and rotate the Air/Water Inlet clockwise to release it from the Tub.



Replacement

1. Examine the Air Water Inlet Seal for damage.
2. Align Air Water Inlet tabs with notches in Tub, and rotate counterclockwise into position.
3. Replace Air Water Inlet Cover inside Tub.



Disassembly Procedures



WARNING

To avoid risk of electrical shock, personal injury, or death, disconnect electrical power source to unit and discharge capacitor through a 10,000 ohm resistor before attempting to service, unless test procedures require power to be connected. Ensure all ground wires are connected before certifying unit as repaired and/or operational.

Door Gasket

The Door Gasket provides a seal between the Door and the Tub.

Removal

1. Open Door.
2. From either corner, pull gasket up and out of tub recess.

Replacement

1. To ease installation, wet gasket with water.
2. Starting in the lower right corner, Gently work gasket into the recess of Tub up the right side.
3. With other end, place gasket flush with the Tub in lower left corner.
4. Gently work gasket in to the recess of the Tub, up the left side, and across the top.
5. Check for proper Door Latch adjustment to ensure proper door sealing.

Float

The Float Assembly controls the amount of water fill.

The Float Switch is wired in series with the Water Valve. When the Float Switch OPENS, the electrical circuit to the Water Valve is opened, causing the Water Valve to shut off.

A normal fill is when water makes contact with heating element in bottom of dishwasher.

To Check Float Switch

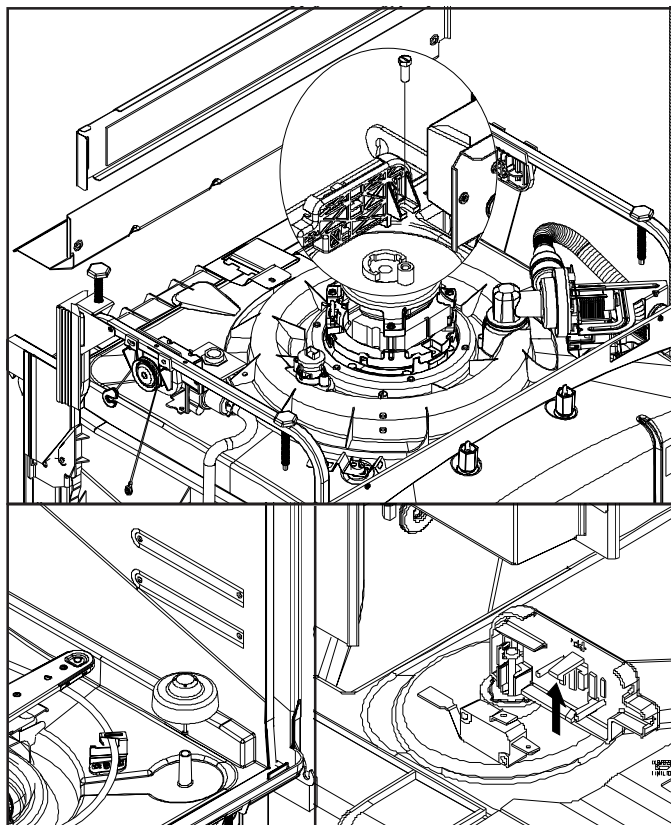
1. **Disconnect power to the machine.**
2. Perform continuity check of switch across terminals.

Closed- Actuator of switch depressed.

Open- Actuator of switch released.

Removal

1. **Disconnect power to the machine.**
2. Lift Float straight up from Float Guide.
3. Remove Front Support and Toe Panel. (See paragraph Front Support and Toe Panel removal).
4. Remove electrical connectors on switch.
5. Float Switch mounting screw is located behind Float Switch mounting plate. Loosen 1/4" screw several turns to remove entire assembly.
6. Spread locking tabs on Float Switch mounting plate to remove switch.



Disassembly Procedures



WARNING

To avoid risk of electrical shock, personal injury, or death, disconnect electrical power source to unit and discharge capacitor through a 10,000 ohm resistor before attempting to service, unless test procedures require power to be connected. Ensure all ground wires are connected before certifying unit as repaired and/or operational.

Heating Element

The purpose of the Heating Element is to provide heat during the dry cycle and increase water temperature during portions of the wash cycle when certain options are selected.

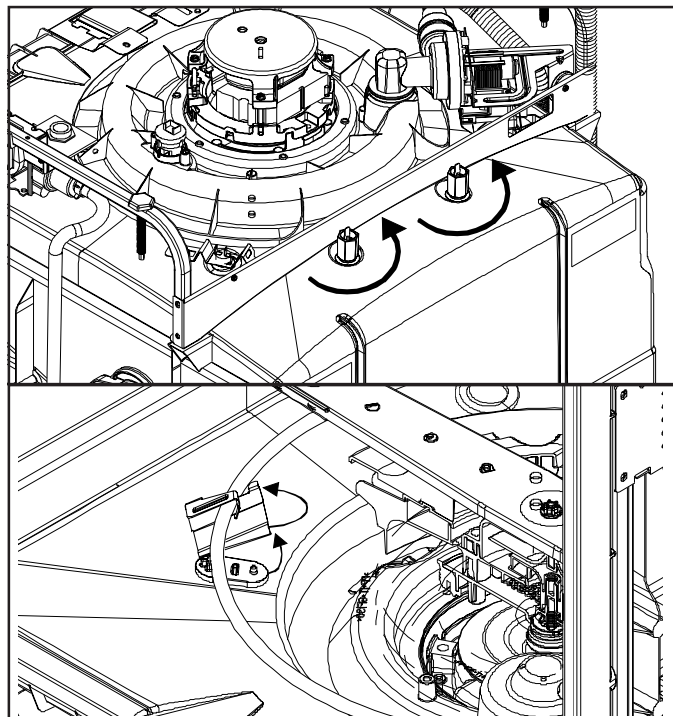
The element is dual wattage. During wash cycles, it is rated at 830 watts. During the dry portion of the cycle, it is rated at 650 watts. Increased wattage is possible because of water flowing across the element sheath.

To Check Heating Element

1. **Disconnect power to the machine.**
2. Remove Foil Bottom, see "Foil Bottom" removal procedure.
3. Locate element terminals, remove wires, perform continuity check across terminals.
4. The resistance of the element should be approximately 22 ohms. If OPEN, replace element.
5. Perform continuity check from each terminal to the element sheath. NO continuity should be present. If continuity is present, replace the element.

Removal

1. **Disconnect power to the machine.**
2. Remove Foil Bottom, see "Foil Bottom" removal procedure.
3. Locate element terminals and remove wires.
4. Remove mounting nuts securing Heating Element to Tub.
5. Release Heating Element by tipping Heater Support Brackets towards the Tub front corners and rotating until bracket unlocks.
6. Lift element out of Tub.



NOTE: Before reinstalling Heating Element, examine condition of O-ring seals that are located between element leads and tub basin. Replace if needed. Failure of seal will result in a water leak and possible floor damage.

Wattage Checks

To verify wattage of the element, take an amperage reading at the blue wire of the Heating Element. Multiply the amperage reading by voltage at the Dishwasher (Amps x Volts = Watts).

Normal element amperage during the dry portion of the cycle is 5.0 to 5.5 amps. When used during a wash cycle, normal amperage is 7.0 to 7.5 amps.

Disassembly Procedures



WARNING

To avoid risk of electrical shock, personal injury, or death, disconnect electrical power source to unit and discharge capacitor through a 10,000 ohm resistor before attempting to service, unless test procedures require power to be connected. Ensure all ground wires are connected before certifying unit as repaired and/or operational.

Thermostats

Two types of thermostats are used in the Dishwasher. A Thermistor and a Limit Thermostat.

The Thermistor is used to sense water temperature when certain cycles or options are selected (Refer to Cycles & Options section). The Thermistor is part of the sensor mounted in the Tub.

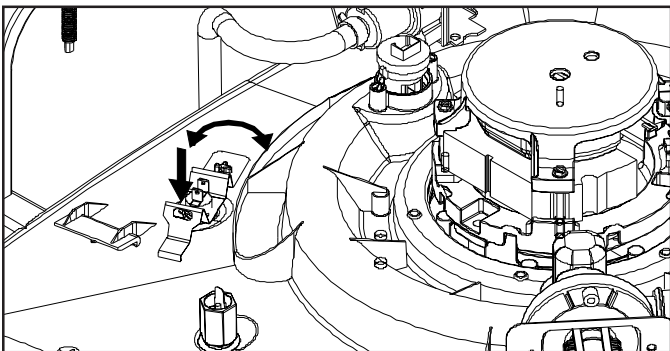
The other thermostat is a Limit Thermostat and is used as a protective device to sense overheating of the Heating Element. It is located behind the Front Support and Toe Panel. The limit is mounted to the tub bottom. This thermostat has 1/4" terminals and has a normally CLOSED position.

NOTE: Refer to Technical Data Sheet

Removal

1. **Disconnect power to the machine.**
2. Remove Foil Bottom, see "Foil Bottom" removal procedure.
3. Press down on spring clip to release from Tub and rotate till clip unlocks.
4. Remove wires from thermostat.

NOTE: When reinstalling, proper location and wiring of thermostat(s) is critical.



Water Valve

The valve is located behind the Support and Toe Panel, mounted to the left side of the Tub Support. Inlet water supply to the valve is directly below the valve.

NOTE: Turn off water supply to the Dishwasher before servicing this component.

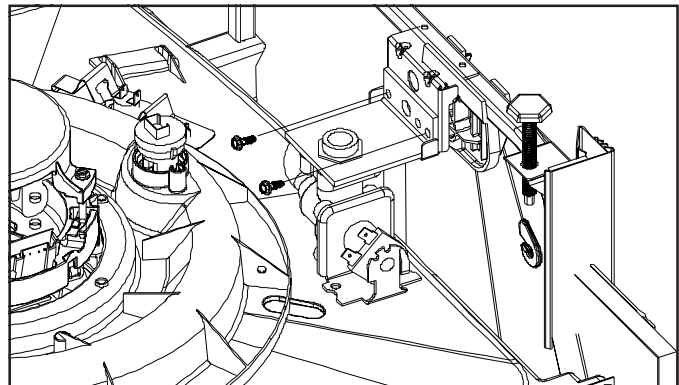
The valve is designed to operate at water pressures of 15 - 120 psi.

NOTE: Low water pressure will affect the ability of the Water Valve to properly fill Tub in the required amount of time.

Incoming water temperature should be a minimum of 120 degrees F. However, a higher water temperature will enhance washing and drying results.

Removal

1. **Disconnect power to the machine.**
2. Turn off water supply to the Dishwasher.
3. Remove Foil Bottom, see "Foil Bottom" removal procedure.
4. Remove wires from Valve Solenoid.
5. Remove 2 1/4" screws securing Water Valve to Water Valve Bracket.
6. Disconnect injector hose at valve outlet.



Disassembly Procedures



WARNING

To avoid risk of electrical shock, personal injury, or death, disconnect electrical power source to unit and discharge capacitor through a 10,000 ohm resistor before attempting to service, unless test procedures require power to be connected. Ensure all ground wires are connected before certifying unit as repaired and/or operational.

Checking Valve Operation

No Fill

1. **Disconnect power to the machine.**
2. Remove Foil Bottom, see "Foil Bottom" removal procedure.
3. Remove wires from Valve Solenoid.
4. Perform continuity check across terminals of Solenoid. If NO continuity is present, replace Water Valve.

Alternate Test: Use Motor Test Cord hooked directly to the Valve Solenoid. Turn water supply on and plug in test cord. If NO water is present, replace Water Valve.

Overfill

If Water Valve allows water to flow without power to Valve Solenoid, replace the Water Valve.

NOTE: The Water Valve is a non-repairable component. The only servicing required is to clean the Inlet Screen if needed.

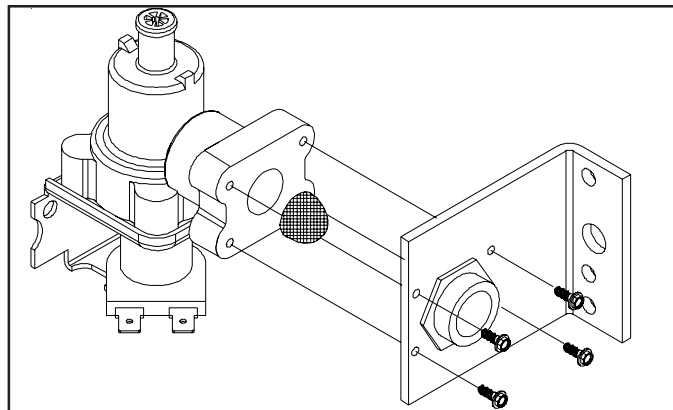
Inlet Screen

Sediment on the Inlet Screen can hinder water flow through the Water Valve.

Cleaning

1. **Disconnect power to the machine.**
2. Remove Water Valve from the Dishwasher (See Water Valve Removal).
3. Remove 4 screws securing valve body to Water Inlet Mounting Bracket.
4. Clean screen.

NOTE: Make sure to reattach the ground wire to the mounting bracket.



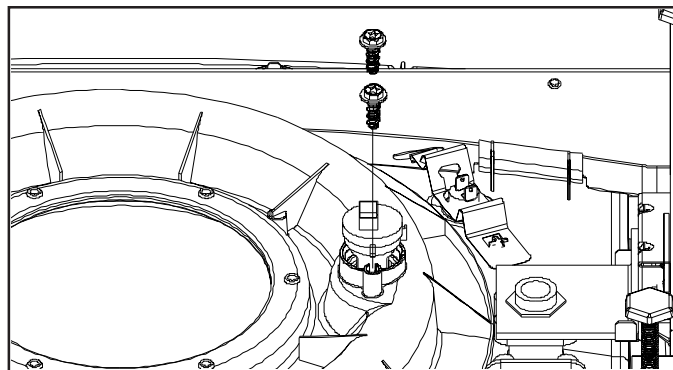
Turbidity Sensor

The Turbidity Sensor is located on the bottom and to the left of the Pump Module Assembly. The sensor measures soil level in the water. Turbidity is determined by a beam of infrared light directed from one probe and read by the other. This information is interpreted as water soil level.

Removal

1. **Disconnect power to the machine.**
2. Remove Foil Bottom, see "Foil Bottom" removal procedure.
3. Remove the 2 Torx™ screws securing the sensor to the tub bottom.
4. Pull sensor straight out.

NOTE: When installing sensor, examine the "O" ring seal and replace if necessary. The sensor has alignment ribs to aid in installation.



Disassembly Procedures



WARNING

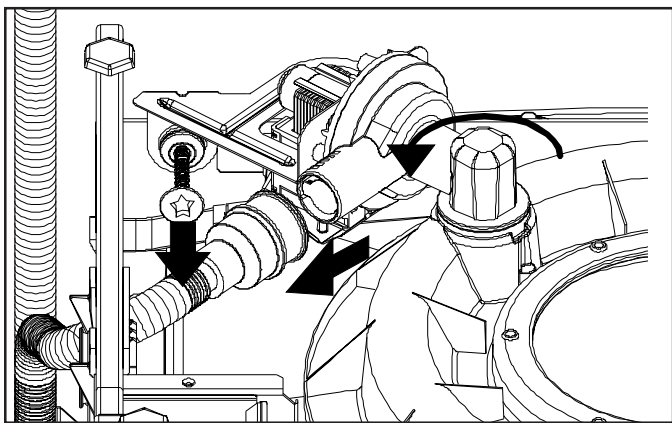
To avoid risk of electrical shock, personal injury, or death, disconnect electrical power source to unit and discharge capacitor through a 10,000 ohm resistor before attempting to service, unless test procedures require power to be connected. Ensure all ground wires are connected before certifying unit as repaired and/or operational.

Drain Pump

The Drain Pump will drain water from the Dishwasher in various cycles. If a failure is suspected, the entire Pump Assembly needs to be replaced.

Removal

1. Disconnect power to the machine.
2. Remove Foil Bottom, see "Foil Bottom" removal procedure.
3. Disconnect lead wire from Pump Assembly.
4. Disconnect drain hose from Pump Assembly.
5. Remove Torx™ screw through bushing in Pump Mounting Plate.
6. Rotate Pump Assembly to unlock from Tub.



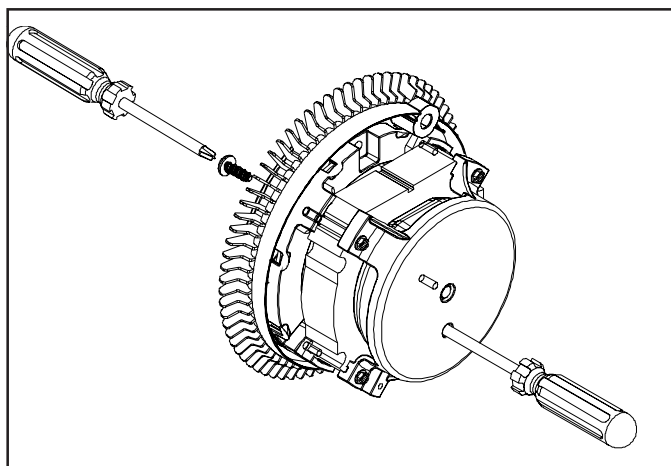
Wash Motor Assembly

The Wash Motor Assembly is designed to provide recirculating, filter, wash and particle chopping functions for the dishwasher cycles.

Removal

1. Disconnect power to the machine.
2. Remove racks.

3. Remove Wash Manifold
4. Loosen Wash Arm Hub and Pivot.
5. Remove Spray Arm.
6. Remove 3 Torx™ screws securing Filter Guard.
7. Entire Wash Motor Assembly can be lifted from Tub for further disassembly.
8. Remove and replace Pump Gasket if necessary.
9. Disconnect wiring harness from Wash Motor Assembly.
10. Remove 6 Torx™ screws securing Discharge Housing.
11. Remove Torx™ screw securing Wash Impeller . See bottom side of motor for access hole to lock motor rotation while removing Torx™ screw. Insert screw driver tip into access hole while removing screw.



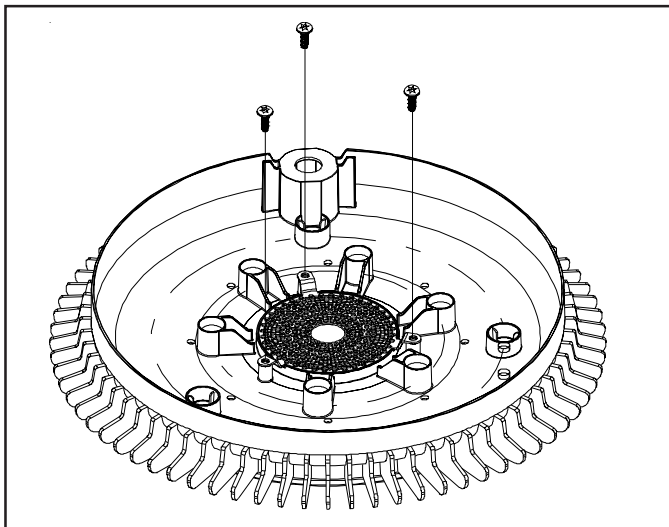
Disassembly Procedures



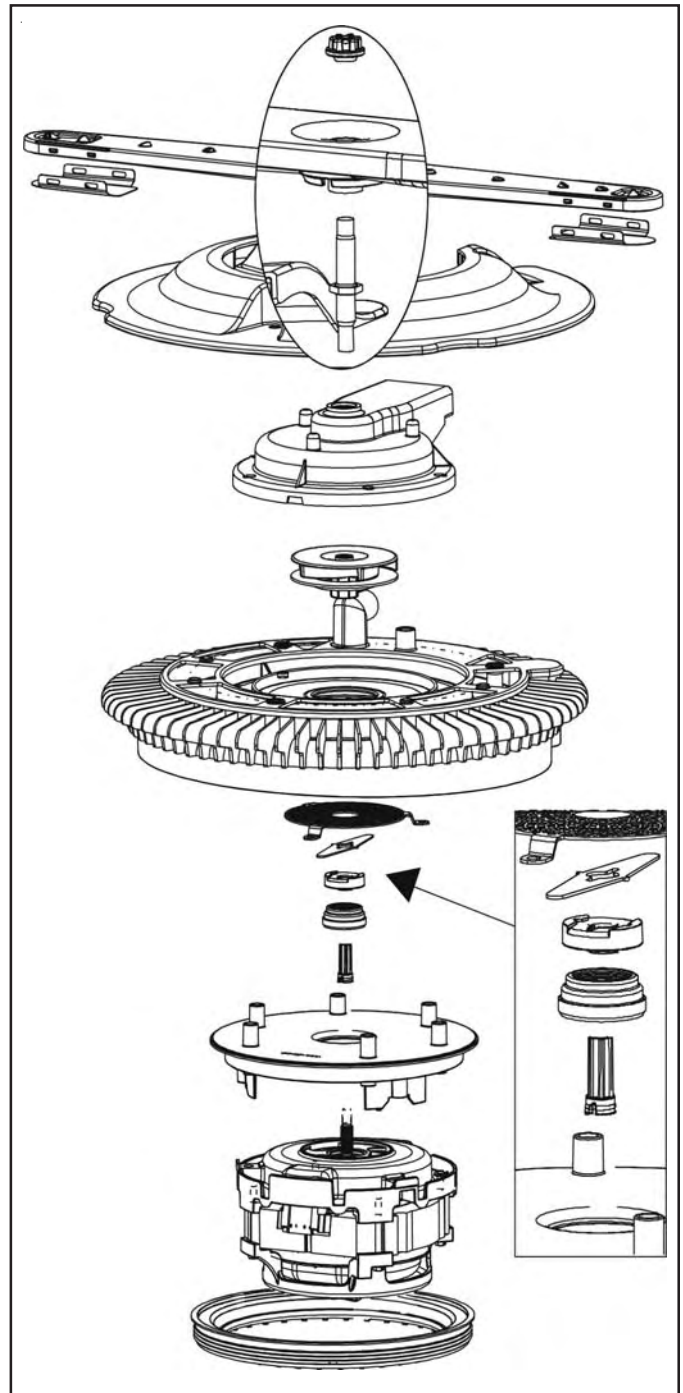
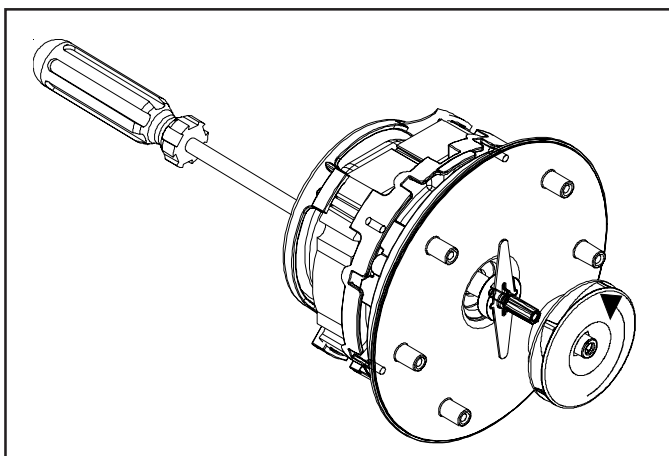
WARNING

To avoid risk of electrical shock, personal injury, or death, disconnect electrical power source to unit and discharge capacitor through a 10,000 ohm resistor before attempting to service, unless test procedures require power to be connected. Ensure all ground wires are connected before certifying unit as repaired and/or operational.

12. Lift off Filter/Flowplate Assembly to access Chopper Plate.
13. Remove 3 Torx™ screws to remove Chopper Plate.
14. Lift off Chopper
15. Remove Chopper Sleeve by using Impeller as a wrench. Lock motor rotation using the access hole provided in back of motor.



16. Lift off Seal Seat Assembly.



NOTES

Appendix A

NOTES

Installing Your New Dishwasher

Leave These Instructions with Owner

1 Shipping Base Removal

- a Open door by lifting latch located under handle (center top of control panel). Remove accessory package and packing materials.
- b Carefully lay dishwasher on its back resting on thickness of corner post. Two other corner posts should be placed under the lower edge of the cabinet to raise the shipping base off the floor to facilitate removal of the shipping base.
- c Remove shipping base and discard. Remove casters from accessory bag. Press casters into holes of frame until security locked, place Dishwasher upright.

2 Installation

The dishwasher accessory package contains a faucet adapter, gasket, and aerator adapter for the faucet coupler. (See figure B.)

- a Unscrew and remove existing aerator or strainer from sink faucet.
 - 1 If faucet has proper external threads, it will not be necessary to use the adapter ring (see boxed parts). Carefully remove the cardboard cap from the aerator assembly, contents are under pressure due to internal spring. Screw aerator assembly onto faucet and tighten securely.
 - 2 If faucet has proper internal threads, install the gasket and adapter ring. Tighten securely and install aerator assembly.
 - 3 If no threads are provided, or if threads do not match the faucet for the adapting ring or aerator, suitable adapters may be obtained by referring to a parts catalog or from a plumber. Adapters are available that will fit almost all types of faucets.
- b Move dishwasher into position, remove coupler from receptacle and press down on thumb release. Lift coupler up onto faucet adapter and remove pressure from the thumb release to hold coupler firmly in place. (See Figure C.)
- c Open hot water faucet fully. Water should not leak from any of the fittings.
- d Plug power cord into electrical outlet. (See *Electrical Wiring and Ground Instructions.*)

3 Checking Installation

- a Check Dishwasher as follows for proper operation and leaks. Set timer dial to "Light/China Wash", "Short", or "Rinse & Hold" selection. Close door until it latches. This will start the dishwasher operation.
- b For microprocessor models: Close door until it latches. Select "Rinse Only," then press START. This will start the dishwasher operation.
- c Allow dishwasher to fill, wash, and drain. Be sure dishwasher is operating properly. Check operation of the dishwasher according to the user's guide.
- d Turn faucet off and relieve pressure on hose by depressing relief button on the side of faucet coupler. Depress thumb release lever and remove coupler. (See Figure C.)

Electrical Wiring

Convertible dishwashers are designed for operation on 120V-60Hz approved electrical service, protected by a 15 amp fuse or comparable circuit breaker.

▲ Warning: Hose that attaches to a sink spray nozzle can burst if it is installed on the same water line as the dishwasher. If the sink has a spray nozzle attachment, it is recommended that the hose be removed and the hole plugged.

For Peak Performance:

- ✓ Set your water heater to deliver 120 - 140°F water. If water is below 140°F select water heating options if available.
- ✓ Use the recommended amount of detergent based on water hardness and soil level.
- ✓ Use a rinse agent to improve drying results and minimize water spotting.

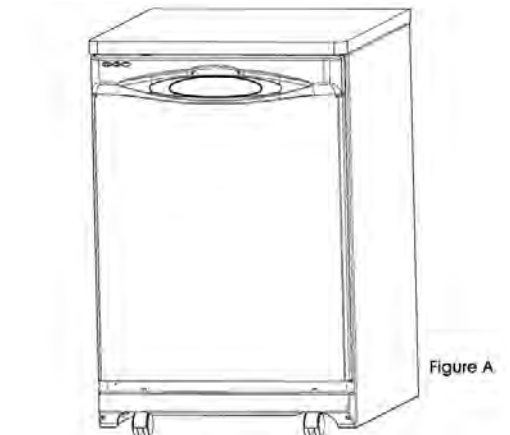


Figure A

Adapter not used in all installations

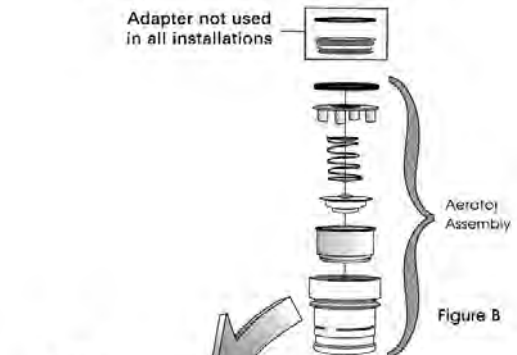


Figure B



Figure C

Coupler Connection

Grounding Instructions



Warning: This appliance must be grounded. In the event of a malfunction or breakdown, grounding will reduce the risk of electric shock by providing a path of least resistance for electric current. This appliance is equipped with a cord having an equipment-grounding conductor and a grounding plug. The plug must be plugged into an appropriate outlet that is installed and grounded in accordance with all local codes and ordinances.

▲ Warning: Improper connection of the equipment-grounding conductor can result in a risk of electric shock. Check with a qualified electrician or service representative if you are in doubt whether the appliance is properly grounded. Do not modify the plug provided with the appliance; if it will not fit the outlet, have a proper outlet installed by a qualified electrician. **DO NOT CUT OR REMOVE THE THIRD GROUNDING PRONG FROM THE POWER CORD PLUG.**

NOTES

Appendix B

The Use and Care information provided in this service manual is representative of a limited number of models. Reference the customer's Use and Care literature included with the product, order a copy, or consult the manufacturer's website for the specific model (www.maytag.com).

NOTES



Dishwasher

Use & Care Guide

Table of Contents



Important Safety Instructions 1-2



What Can & Cannot be Washed2



Operating Tips 3



Loading 4



Dishwasher Use5



Cycles, Options and Lights 6-7



Care & Cleaning 8



Portable Dishwashers9



Troubleshooting 10-12



Warranty & Service 13

Installer: Please leave this guide with this appliance.

Consumer: Please read and keep this guide for future reference. Keep sales receipt and/or cancelled check as proof of purchase.

Model Number _____

Serial Number _____

Date of Purchase _____

If you have questions, call:

1-800-688-9900 USA

1-800-688-2002 CANADA

1-800-688-2080 (U.S. TTY for hearing or speech impaired) (Mon.-Fri., 8 am-8 pm Eastern Time)

Internet: www.maytag.com

In our continuing effort to improve the quality and performance of our appliances, it may be necessary to make changes to the appliance without revising this guide.

For service information, see page 13.



Important Safety Instructions

What You Need to Know About Safety Instructions

Warning and Important Safety Instructions appearing in this guide are not meant to cover all possible conditions and situations that may occur. Common sense, caution and care must be exercised when installing, maintaining or operating the dishwasher.

Always contact the manufacturer about problems or conditions you do not understand.

Recognize Safety Symbols, Words, Labels

WARNING

WARNING – Hazards or unsafe practices which **COULD** result in severe personal injury or death.


CAUTION

CAUTION – Hazards or unsafe practices which **COULD** result in minor personal injury or property damage.

Important Safety Instructions

WARNING

Check with the installer to make sure the appliance has been properly grounded to avoid possible electrical shock. Be sure you read the important personal safety instructions before you use this dishwasher.

Products with a  label have been listed with Underwriter's Laboratories, Inc. – those with a CSA tag have been listed with Canadian Standards Association. Nevertheless, as with any other equipment using electricity and moving parts, there is a potential hazard.

WARNING

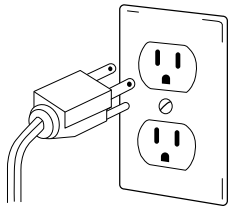
When using your dishwasher, follow basic precautions, including the following:

1. Read all instructions *before* using the dishwasher.
2. Use the dishwasher only for its intended function.
3. Disconnect electrical power to dishwasher *before* attempting to service.
4. To avoid electrical shock hazard, the sides and back must be enclosed and the front panels must be attached *before* electrical power is applied to the dishwasher. Refer to the installation instructions for proper grounding procedures.
5. Connect to a properly rated, protected and sized power supply circuit to avoid electrical overload.
6. Children **should never** be permitted to operate, or play in, with, or around this dishwasher.
7. To reduce the risk of injury when loading items to be washed, sharp or pointed items should be located with the handles up. Also, load sharp items so they are not likely to damage the door seal.
8. **Do not** touch the heating element on the bottom of the tub during or at the completion of a cycle. It will be hot.
9. Use only detergents and rinse additives designed for a residential automatic dishwasher. **Never** use soap, laundry detergent, or hand washing detergent in your dishwasher. Keep these products out of reach of children.
10. **Do not** sit, stand on or abuse the door or dish racks of the dishwasher.
11. Under certain conditions, hydrogen gas may be produced in a hot water system that has not been used for two weeks or more. **Hydrogen gas is explosive.** If the hot water system has not been used for such a period, turn on all hot water faucets and let the water flow from each for several minutes. This will release any accumulated hydrogen gas. As the gas is flammable, **do not** smoke or use an open flame during this process.
12. **Do not** wash plastic items unless marked "dishwasher safe" or the equivalent. For plastic items not so marked, check the manufacturer's recommendations.
13. **Do not** tamper with controls.
14. To prevent accidental child entrapment and suffocation risks, always remove the door to the washing compartment when removing an old dishwasher from service or discarding it.
15. Use caution when unloading the dishwasher. Dishes will be hot if unloaded shortly after a cycle has completed.
16. Certified residential dishwashers are not intended for licensed food establishments.
17. To avoid water, mold or mildew damage to your home, inlet and drain hose connections should be checked periodically for leaks.

Save These Instructions for Future Reference



Important Safety Instructions



⚠ WARNING

Electrical Grounding Instructions - Portable models are equipped with a (three-prong) grounding plug for your protection against shock hazard and should be plugged directly into a properly grounded receptacle. **Do not** cut or remove the grounding prong from this plug.



What Can and Cannot Be Washed

Most tableware, cookware and flatware can safely be washed in your dishwasher. Check with the manufacturer.

MATERIAL	DISHWASHER SAFE?	SPECIAL INFORMATION
Aluminum	Yes, except anodized.	High water temperature and detergents may affect finish.
Cast Iron	No	Seasoning will be removed, and iron will rust.
China/Stoneware	Yes, except antique or hand-painted.	Always check manufacturer's recommendation before washing. Antique, hand-painted or over-the-glaze patterns may fade. Gold leaf may discolor.
Crystal	Yes, except antique or delicate crystal.	Always check manufacturer's recommendation <i>before</i> washing. Some types of leaded crystal may etch with repeated washings.
Filters	Not recommended.	May leave a dingy deposit or stain on dishwasher interior.
Glass	Yes	A specialty glass called milk glass can yellow with repeated dishwasher washing.
Gold-Plated Flatware	No	Will discolor.
Pewter, Tin	No	
Plastics	Yes, top rack, except disposable plastic items.	Always check manufacturer's recommendation <i>before</i> washing. Plastics vary in their capacity to withstand high water temperatures and detergents. Disposable plastic items are not dishwasher safe for this reason.
Stainless Steel	Yes	Run a Rinse Only cycle (select models) if not washing immediately. Prolonged contact with foods containing salt, vinegar, milk products or juice could damage finish.
Sterling Silver or Silverplate	No, if has commercial "darkening".	Always check manufacturer's recommendation <i>before</i> washing. Run a Rinse Only cycle (select models) if not washing immediately. Prolonged contact with food containing salt, acid or sulfide (eggs, mayonnaise and seafood) could damage finish. Commercial "darkening" may be removed by detergent.
Wooden Items	No	Wood may warp, crack or discolor.



Operating Tips

Before You Start

- **Don't prerinse. Simply scrape off any bones or large food particles.**
- If connected to a food waste disposer, **make certain the disposer is empty before starting the dishwasher.**
- **Scrape off tomato-based food soils** (see page 8).
- **Remove certain foods** such as mustard, mayonnaise, lemon juice, vinegar, salt or dressings **from stainless steel flatware as soon as possible.** These foods may cause rusting and pitting if allowed to remain in contact with the surface for an extended period of time.

Operating the Dishwasher

1. After loading the dishwasher and adding detergent, select the desired cycle by pressing the cycle select pad until the light next to the desired cycle is illuminated. Choose the desired options by pressing the pads. The indicator lights for the selected cycle and options will illuminate. To cancel an option press the pad again.
2. To start a cycle, close the door until it latches then press the **START/Cancel** pad *once*. After a pause, the fill will begin. The display countdown (select models) will flash until **START/Cancel** is pressed.

Note : If **START/Cancel** is not pressed within 30 seconds of choosing your cycle, the dishwasher will turn off.

The dishwasher remembers your last cycle so you do not have to reset the cycle each time. To start the dishwasher using the same cycle and options selected on the previous wash, just press the **START/Cancel** pad.

3. To cancel a running cycle, press the **START/Cancel** pad *once*. The dishwasher will drain, then shut off. To turn the dishwasher off without draining, press the **START/Cancel** pad *twice*. To prevent unplanned cycle or option changes, these selections are "locked in" after 1 minute.

Note : If the cycle select pad is pressed after the controls have been "locked in", the light above the current cycle will flash three times.

Adding a Forgotten Item

For best cleaning, the forgotten item should be added early in the cycle.

1. Grasp door handle and unlatch door without opening completely. All lights will flash to indicate that the cycle is suspended.
2. Wait for the water circulation to stop.
3. Open the door and add the item.
4. Close and latch the door. Lights will stop flashing when the door is properly shut. After a slight delay, the cycle resumes automatically at the point of interruption.

Notes:

- If the door is opened during a running cycle, there may be up to a 30 second delay before the dishwasher restarts after closing the door.
- Extended interruption of the wash cycle is not recommended.

General Recommendations

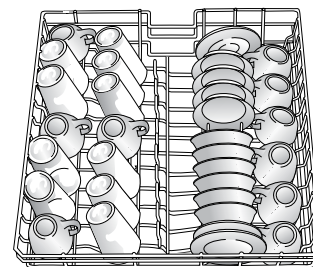
(Rack features vary by model)

- Items can be centered behind a single tine or loaded at an angle to maximize space.
- Avoid blocking or preventing the spray arms from spinning freely. **Do not** allow items to extend beyond the racks.
- Face soiled surfaces toward the center of the dishwasher.

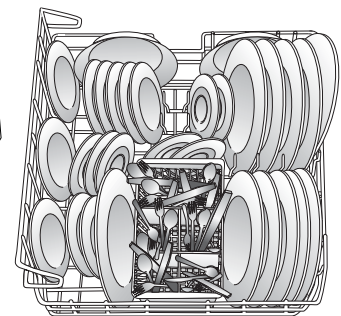
For best dishwashing results follow these guidelines to determine the best arrangement for your items.

10 Place Setting Load

(Rack features vary by model)



Upper Rack



Lower Rack

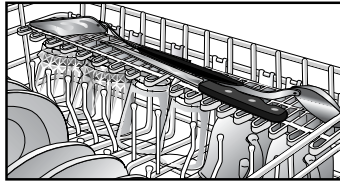


Loading

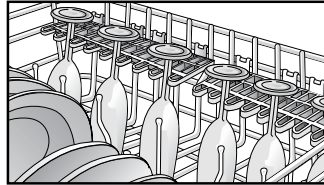
Upper Rack

Glasses, cups, stemware, light-weight plastics, plates, bowls, pans, long-handled utensils etc. can be loaded in this rack. **Do not load glasses over the tines.**

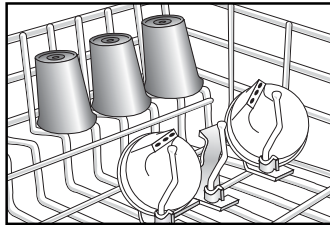
The **Stack-Rack** (select models) on the right side of the upper rack folds up or down for loading flexibility. Fold it down to hold long-handled knives, spatulas and spoons or short items like cups or juice glasses. Fold it up for taller items like glasses, bowls, plates, etc.



The edge of the **Stack-Rack** (select models) is designed to hold stemware in place. Taller stemware will fit better on the right side as the upper rack is deeper on this side.



The **Cup Clips** (select models) located in the center of the upper rack can be used to hold light-weight plastic items, cooking utensils, knives, etc. in place. Clip the item between the tine and the clip.



Lower Rack

A variety of items such as dinner plates, mixing bowls, pots and pans and baking dishes can be loaded in this rack.

Wider items can be placed along the left side and back of this rack.

Utensil Basket

Removable Standard Utensil Basket (style may vary)

For best cleaning results, prevent items from nesting together by placing some items in the basket with handles up and some with handles down. On models with

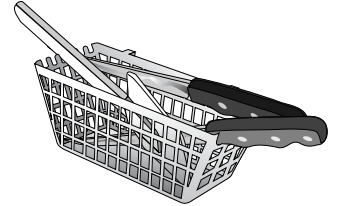


slotted covers, load knives, handles up and spoons and forks handles down.

Be sure that thin, finely pointed items **do not** extend through the basket. This could block the lower wash arm.

Auxiliary Basket (select models)

Use this supplemental basket in the upper or lower rack for loading miscellaneous items and utensils. This is also a safe place to load sharp knives and pointed items.



Removing the Upper Rack

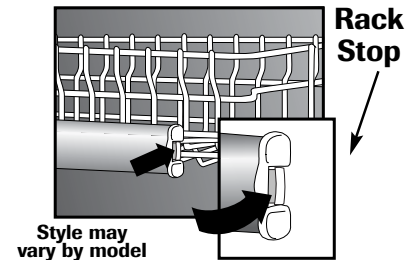
The rack can be removed when tall or oversized items need to be loaded into the lower rack. Unload the rack *before* removing it from the dishwasher.

To remove rack with tab-lock rack stops:

1. Roll the rack $\frac{1}{8}$ to $\frac{1}{2}$ of the way out.
2. Locate the rack stops at the end of each track. Squeeze the tab in the middle of the rack stop and pull the rack stop straight out. Take care to support the rack while removing the rack stops.
3. Roll the rack all the way out of the track and remove from the dishwasher.

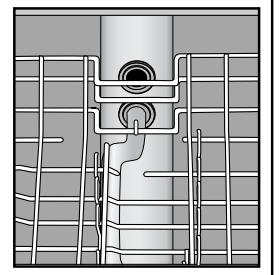
To replace:

1. Replace the dishwasher rack by guiding the wheels into the tracks.
2. Push each rack stop squarely into the end of the track until the catch pops into the small hole on the side of the track.



Important:

The dishwasher will not operate correctly if the wash arm is not aligned with one of the water inlet holes on back wall of the dishwasher.





Dishwasher Use

Hot Water

For optimal cleaning and drying results, hot water is necessary. The incoming water temperature should be 120° F (49° C) to properly activate the detergent and melt greasy food soils.

To check the incoming water temperature, turn on the hot water faucet nearest the dishwasher and let it run into a glass in the sink. Place a candy thermometer in the glass and check the temperature once it has stopped rising.

Detergent

Use a detergent designed specifically for use in an automatic dishwasher. Be sure it is fresh. Store granular detergent in a cool, dry place (*not under the sink*).

Recommended Amount

Too little detergent results in poor cleaning, hard water filming/spotting and poor drying. Too much detergent can cause permanent etching/cloudiness.

Suds can cause the dishwasher to overflow. Measure the detergent carefully and use only detergents designed for use in a dishwasher. Less detergent is needed in soft water. Try another brand of detergent if sudsing continues.

The amount of detergent to use is determined by the hardness of the water and soil level of the load. Refer to the following chart for detergent usage recommendations.

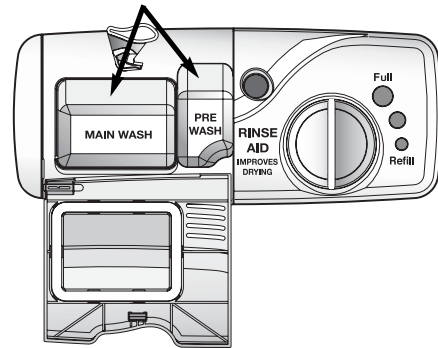
WATER HARDNESS*	SOIL LEVEL	PRE-WASH DETERGENT	MAIN WASH DETERGENT
Soft (0-4 gpg)	Light Soil	2 tsp	6 tsp
	Normal Soil	4 tsp	6 tsp
	Heavy Soil	4 tsp	7 tsp
Medium (5-9 gpg)	Light Soil	4 tsp	6 tsp
	Normal Soil	4 tsp	6 tsp
	Heavy Soil	5 tsp	7 tsp
Hard (10-12 gpg)	All Levels	5 tsp	8 tsp

*Your local water utility or state university extension service can tell you the degree of water hardness in your area.

In extremely hard water conditions (13 grains per gallon or more*), it is difficult to achieve good results with any dishwasher. A mechanical water

softener may be necessary to improve water quality, detergent effectiveness, and protect the dishwasher parts from the damage that hard water can cause.

Add recommended amount of detergent to each cup as shown and close the detergent lid.



Do not use detergent with the Rinse Only (select models) cycle. Leave the detergent lid open when running Rinse Only (select models).

Rinse Aid

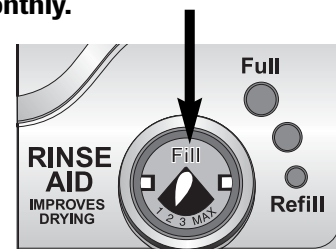
Regular use of a rinse aid improves drying, reduces spotting and filming, and reduces moisture left on the dishwasher interior.

An automatic rinse aid dispenser is located next to the detergent cup.

The window next to the dispenser cap indicates when the rinse aid reservoir needs to be refilled. When the level of rinse aid is below the indicator marks and the window is nearly clear, it is time to refill the dispenser.

Check the dispenser monthly.

To add rinse aid to the dispenser, turn the cap *counterclockwise* to open. Remove the cap and pour liquid rinse aid into the opening. The amount of rinse aid dispensed during



the cycle is adjustable by moving the lever inside the reservoir area. For most water conditions use the manufacturer recommended setting of **"2"**. Adjust it up to the **"MAX"** setting for hard water. Set the lever anywhere between these amounts as needed to get the best results. Replace the cap and turn it *clockwise* to close.



Cycles, Options and Lights

Cycles

Choose the cycle that best describes your dishload by pressing the cycle select pad. (See page 3, *Operating Tips*, for how to begin the cycle).

CYCLE	DESCRIPTION	TIME (APPROX. MINUTES)	NUMBER OF WASHES/RINSES
Heavy Wash	Long cycle for heavy food soils.	132*	2 washes/3 rinses
Normal Wash	Medium cycle for average food soils. The turbidity sensor is active with this cycle.	97-117*	1-2 washes**/1-2 rinses**
Light Wash	Short cycle for light food soils.	82*	1 wash/2 rinses
Rinse Only (select models)	Rinses dishes being held until there is a full load.	9	1 rinse

* Includes approximately 30 minutes of dry time.

**Number of fills will vary depending on the soil level of each load.

Notes:

- Depending on water temperature, there may be time added to the cycle to bring water up to temperature.
- Only the following certified cycles have been designed to meet NSF requirements (NSF/ANSI 184 Residential Dishwasher) for sanitization: Heavy Wash, Normal Wash and Light Wash.

Cycle Options

In addition to choosing a cycle, choose as many available options **as are needed** for your dishload.

OPTION	DESCRIPTION	USE WITH CYCLES
Hi Temp Wash	Hi Temp Wash provides additional heat during the wash portion of the cycle, which ensures proper water temperature for better cleaning and drying results. It also adds an additional rinse to the cycle which improves results in hard water situations.	All cycles (except Rinse Only [select models])
Sanitize (select models)	Sanitizes dishware. When the cycle monitor recognizes that the proper conditions have been met, SANITIZED light will activate at the end of the cycle. Sanitization may not be achieved if there is an interruption of the cycle, power failure or if the incoming water temperature is below 120° F (49° C).	Heavy Wash* Normal Wash* Light Wash*
Extra Rinse (select models)	Adds an additional rinse to cycle. An extra rinse helps to improve results in hard water situations.	All cycles (except Rinse Only [select models])
Heated Dry	For enhanced drying results, select this option. When Heated Dry is not selected, towel drying of some items such as plastic and items with non-stick surfaces may be necessary and more moisture may be noticed adhering to the dishwasher interior. In models with plastic interiors, it is normal to notice vapor escaping from the door vent as the heat dries your dishes. Vapor will escape even if Heated Dry is not selected.	All cycles (except Rinse Only [select models])

* Only these cycles have been designated to meet NSF requirements (NSF/ANSI 184 Residential Dishwasher) for sanitization.

⚠ CAUTION

CAUTION – In models with plastic interiors, it is normal to notice vapor escaping from the door vent in the upper left corner of the door as the heat dries your dishes. The vapor is hot and may cause minor burns.

Options

OPTION	DESCRIPTION	USE WITH CYCLES
START/Cancel	Starts and stops dishwasher. See page 3 under <i>Operating Tips: Operating the Dishwasher</i> , for explanation.	All Cycles
Delay	Used to automatically start the cycle at a later time. See page 7 for instructions.	All Cycles



Cycles, Options and Lights

Lights/Display

Delay

The Delay option can be used to automatically start the cycle at a later time to reduce daytime heat buildup in the home or to take advantage of reduced energy costs if available in your area. This option is also useful for conserving hot water at times of high household usage (showers, laundry).

To set up a Delay:

1. Select the appropriate cycle and options for the load. Close the door.
2. Press the **Delay** pad until the desired amount of delay time is selected.
3. The Delay indicator and the count down display (select models) will flash until the START/Cancel pad is pressed.
4. As soon as the START/Cancel pad is pressed, the flashing will stop and the delay time will begin

counting down. The Delay indicator will remain lit until the delay time has counted down.

5. The cycle will automatically start as soon as the delay time expires.

Note: If 30 seconds elapse between setting the cycle and options and pressing the START/Cancel pad, the dishwasher will turn off.

To cancel a Delay:

When the delay is counting down, press the **Delay** pad again. The indicator light will go out and the cycle will start or resume immediately.

To cancel a Delay and the cycle:

- Press **START/Cancel** *once* to drain and turn off the dishwasher.

Or

- Press **START/Cancel** *twice* to turn dishwasher off without draining.

Lights/Display (select models)

INDICATOR	DESCRIPTION
CLEAN Light	Illuminates at the end of the cycle and remains lit until the door has been open for 30 seconds continuously.
WASH/DRY Light	Illuminates during all rinse, wash and dry portions of the cycle.
SANITIZED Light (select models)	Illuminates at the end of the cycle when conditions have been met to achieve sanitization. The light will remain lit until the door has been open for 30 seconds continuously.

Notes:

- When Sanitize is selected, cycles are monitored to assure sanitization. The SANITIZED light will not activate if sanitization requirements are not met. This could happen if the cycle is interrupted, power failure occurs or incoming water temperature is below 120° F (49° C).
- The CLEAN and SANITIZED indicator lights (select models) will not relight after a power failure until after the next cycle is run.



Care and Cleaning

General Recommendations

- The dishwasher interior is normally self-cleaning. Periodically check the bottom of the dishwasher tub to see if any large particles remain.
- Wipe the edge of the inner door liner to remove any food soil splashes which occurred during loading.
- When cleaning stainless steel, always wipe with the grain. **Never** use products containing chlorine bleach or citric acid.

- The color from some tomato-based food soils may occasionally adhere to various components of the dishwasher interior, causing temporary discoloration.

To minimize this:

- Remove excess tomato-based food soils from dishes prior to loading.
- Run the **Heavy Wash** cycle when washing loads containing tomato-based food soils.
- Use a dishwasher detergent that contains chlorine to better fight staining.

LOCATION	SOIL LEVEL	TREATMENT
Standard Exterior	Light to moderate	Soft damp cloth and liquid spray cleaner. Do not use abrasive powders or cleaning pads.
Stainless Steel Exterior (select models)	Daily cleaning and light soil	Soft cloth or sponge and one of the following: <ul style="list-style-type: none"> • Mild detergent and water • A solution of white vinegar and water • Formula 409 Glass and Surface Cleaner*, or similar multi-surface cleaner. • Do not use products containing chlorine bleach or citric acid. Follow with rinse and dry.
	Moderate to heavy soil	Soft cloth or damp sponge and Bon Ami*. Follow with rinse and dry.
	Streaks or fingerprints/restore shine	Soft cloth and Stainless Steel Magic Spray**.
	Discoloration	Soft cloth or damp sponge and Cameo Stainless Steel Cleaner*. Rinse immediately and dry.
Interior	Light to moderate	Soft cloth or damp sponge.
	Discoloration, or tomato-based stain	Switch dishwasher detergent to chlorine-based product.

*Brand names are trademarks of the respective manufacturer.

**Call 1-877-232-6771 U.S. or 1-800-688-8408 Canada to order.

Storage/Moving

Fill detergent cup with a fresh-scented dishwasher detergent or baking soda and select the **Normal Wash** cycle. Allow the dishwasher to complete the cycle. Then turn the water supply off and drain the dishwasher. To drain, press the **START/Cancel** pad *once* to activate

the dishwasher. Press **START/Cancel** *again* to activate the drain. Operate the drain twice to ensure most of the water is removed. Last, disconnect the electrical supply and prop open the door.

When turning the water supply to the home off, the water shut off at the dishwasher must be turned off also.



Portable Dishwashers

Connecting a Portable

1. Turn on the faucet at the sink until the water runs hot. Turn off the faucet.
2. Pull the connector from the recess in the back of the dishwasher.
3. Press down on the thumb release and lift the connector onto the faucet.
4. Remove pressure from the thumb release and tug slightly on the connector to be sure it is securely in place.
5. Turn the hot water on full force.
6. Check that the sink drain is open so water from the dishwasher can drain properly.
7. Pull the electrical cord from the recess. Plug it into a properly grounded outlet.
8. Select the proper cycle and options for the load and start the dishwasher.

Care and Cleaning

Clean the cabinet and laminate top with a soft, damp cloth and liquid spray cleaner.

To polish and protect the laminate top, use a product specifically developed for countertops such as Hope's Countertop Polish*.

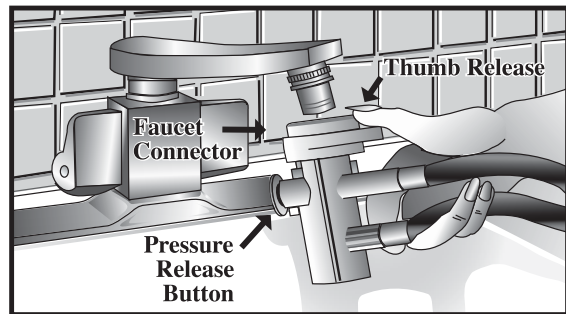
Apply an appliance wax to the cabinet once a year.

Note: To protect the laminate top from damage, do not use it as a cutting surface or resting place for warm/hot cookware. Do not slide ceramic or other hard or abrasive objects across the surface.

* Brand names are the trademarks of the respective manufacturer.

Disconnecting a Portable

1. Be sure to turn the water supply off and press the pressure release button *before* removing the connector.
2. Press down on the thumb release and remove the connector from the faucet.
3. Push the connector and hoses back into the cabinet recess.
4. Unplug the electrical cord and push it back into the cabinet recess.



Troubleshooting

CHECK THESE POINTS TO HELP SAVE YOU TIME AND MONEY.

PROBLEM	SOLUTION
Dishwasher will not fill	<ul style="list-style-type: none"> • Press the START/Cancel pad to start the dishwasher. • Be sure door is latched securely. • Be sure the water is turned on. • Check that the pad is properly selected for a cycle. • Check your home's circuit breaker or fuse box. • Check inlet hose for a kink. • Check water valve inlet for sediment and clean if necessary.
Dishwasher will not drain/ water in tub bottom	<ul style="list-style-type: none"> • If hooked up to a food waste disposer, be sure the knock-out is removed from the disposer inlet. • Check for food obstruction in the drain or disposer. • Check drain hose for a kink. • Check your home's circuit breaker or fuse box. • Check that the cycle is completed.
Dishwasher adds water at end of cycle	<ul style="list-style-type: none"> • This is normal. The sensor (select models) in the pump must stay submerged so a short fill of water is added after the cycle's last drain.
Detergent cup is not empty	<ul style="list-style-type: none"> • Check that the cycle is completed. • Be sure dispenser is not blocked. • Use fresh detergent stored in a cool, dry place.
Dishwasher seems noisy	<ul style="list-style-type: none"> • A water valve hiss during fill is normal. • Water circulation sounds are normal. • A thumping sound may be a wash arm bumping an item that is extending beyond the racks. Readjust load to avoid obstructing wash arm. • Chopping or grinding sounds may be heard as the internal chopper blade chops hard items like fruit seeds, nuts, etc. • Humming during the drain is normal. • A snap noise is the detergent cup lid hitting the door liner when the dishwasher door is opened at the end of the cycle. This is normal. • Proper installation affects the noise level.
Cycle takes too long (Heating Delay light [select models] stays on)	<ul style="list-style-type: none"> • Sanitize has been selected and the cycle is extended to heat water. • Check to see that the incoming water temperature is 120° F (49° C).
Dishwasher has an odor	<ul style="list-style-type: none"> • Run dishes being held in the dishwasher through a Rinse Only cycle (select models). • Many dishwashers have a "new" smell when first installed. This will dissipate with use. • Dishwasher may not be draining properly. (See "Dishwasher will not drain" section.) • For a strong odor, place baking soda in both sides of the detergent cup. Select Light Wash cycle and allow the water to circulate for about 10 minutes. Interrupt the cycle by unlatching the door and let it stand overnight. Restart the dishwasher by latching the door and allow it to complete the cycle. Another alternative is to use a dishwasher cleaning product such as Jet-Dry Dishwasher Cleaner*.
Dishwasher leaks	<ul style="list-style-type: none"> • Check that the dishwasher is level. (Refer to the Installation Instructions.) • Suds can cause the dishwasher to overflow. Measure the detergent carefully and use only detergents designed for use in a dishwasher. Less detergent is needed in soft water. Try another brand of detergent if sudsing continues. • Follow directions closely on how to add a forgotten item (pg. 3). • To avoid rinse aid leaking from the dispenser, be sure the lid is securely attached.

*Brand names are trademarks of the respective manufacturer.

Cont.



Troubleshooting

PROBLEM	SOLUTION
Display time suddenly drops or increases by several minutes (select models)	<ul style="list-style-type: none"> This is normal when the Normal Wash cycle is selected and the dishwasher decides to skip or add a drain and refill.
Indicator lights flashing	<ul style="list-style-type: none"> The countdown display (select models) flashes after a cycle is selected until the START/Cancel pad is pressed. The countdown display (select models) and the delay indicator flash after a delay is selected until the START/Cancel pad is pressed. All active display indicators flash if the door is opened during a running cycle or delay. The currently selected cycle flashes if an attempt is made to change the cycle after cycle "lock-in".
Glasses are cloudy/spotted	<ul style="list-style-type: none"> Select Extra Rinse or Hi Temp Wash (select models). Check water temperature. Incoming water should be 120° F (49° C). Always use a rinse aid. Confirm that the cloudiness is removable by soaking the item in white vinegar for approximately 5 minutes. If removed, the problem is due to hard water. Adjust detergent amount being used to match water hardness (pg. 5). Be sure detergent is fresh, stored properly and is a high quality brand. If cloudiness is not removable, it is etching. This is an erosion of the surface of the glassware and can be caused by water that is too hot, from using too much detergent or by prewashing. Detergent needs food soil to act upon. If etching has occurred, the glassware is permanently damaged. To prevent further etching, adjust the detergent amount to match the water hardness, stop prewashing, and use water heating options only when incoming water temperature is below 120° F (49° C).
Food soil remains on dishes	<ul style="list-style-type: none"> Select Hi Temp Wash. Check water temperature. Incoming water should be 120° F (49° C). Run hot water at the sink <i>before</i> starting the dishwasher. Check water hardness and adjust detergent amount accordingly (pg. 5). Use fresh detergent stored in a cool, dry place. Select proper cycle for the soil level (pg. 6). Make sure the upper rack wash arm connector is correctly aligned in one of the water inlet holes (pg. 4). Load items so they do not block the wash arms (pgs. 3-4). Load the utensil basket with knife handles up and spoon and fork handles down. Do not place glasses over tines. <i>Prior</i> to loading, scrape off burnt on foods and wipe the starchy film from utensils used with pasta, rice and oatmeal. These soils require more energy than the rest of the load to clean.
Items washed in the dishwasher or the dishwasher tub itself are stained/discolored	<ul style="list-style-type: none"> Aluminum utensils or pans can leave marks when they rub against other items. Leave a slight space between items. Iron deposits in the water can leave a yellow, brown or orange film on dishes or the dishwasher tub. A rust filter may be needed. Check with a water treatment company. Separate silver or silver-plated silverware from stainless steel. These metals can be damaged by contact with each other during washing. Color from tomato sauces may adhere to the interior parts of the dishwasher (pg. 8). If light staining has occurred, leave the door open to oxidize the stain away. Use a dishwasher detergent that contains chlorine to better fight staining. Certain dishwasher detergents may stain silver. Try another brand of detergent.

*Brand names are trademarks of the respective manufacturer.

Cont.



Troubleshooting

PROBLEM	SOLUTION
Items not properly dried/ moisture is present on the dishwasher interior after the dry cycle	<ul style="list-style-type: none">• Be sure Heated Dry is selected.• Water droplets may form on the inner door as part of the drying process.• Use a rinse aid separate from the detergent like Jet Dry* or Cascade Rinse Aid* regularly to improve drying. Turn the rinse aid selector toward the MAX setting.• Check water temperature. Incoming water should be 120° F (49° C).• Select Sanitize.• Increase detergent amount to match water hardness (pg. 5).• Load properly. (pgs. 3-4)• Plastic and items with non-stick surfaces are difficult to dry because they have a porous surface which tends to collect water droplets. Towel drying may be necessary.• Glasses and cups with concave bottoms hold water and require towel drying. Locate these items on the more slanted side of the rack for improved results.
Dishware is chipped	<ul style="list-style-type: none">• Load dishes according to instructions so they do not strike each other (pgs. 3-4).• Washing fine antique china/crystal in the dishwasher is not recommended.• Do not load glasses over the tines.• Do not overload.
Sanitized light does not illuminate at the end of the cycle (select models)	<ul style="list-style-type: none">• Sanitize was not selected.• Sanitization can only be achieved with the Heavy Wash, Normal Wash or Light Wash cycles.• Sanitization may not be achieved if there is an interruption of the cycle, power failure or if incoming water temperature is below 120° F (49° C).

*Brand names are trademarks of the respective manufacturer.



Warranty & Service

Warranty

Limited One Year Warranty - Parts and Labor

For **one (1) year** from the original retail purchase date, any part which fails in normal home use will be repaired or replaced free of charge.

Canadian Residents

The above warranties only cover an appliance installed in Canada that has been certified or listed by appropriate test agencies for a compliance to a National Standard of Canada unless the appliance was brought into Canada due to transfer of residence from the United States to Canada.

*The specific warranties expressed above are the **ONLY** warranties provided by the manufacturer. These warranties give you specific legal rights, and you may also have other rights which vary from state to state.*

CUSTOMER'S SOLE AND EXCLUSIVE REMEDY UNDER THIS LIMITED WARRANTY SHALL BE PRODUCT REPAIR AS PROVIDED HEREIN. IMPLIED WARRANTIES, INCLUDING WARRANTIES OF MERCHANTABILITY OR FITNESS FOR A PARTICULAR PURPOSE, ARE LIMITED TO ONE YEAR OR THE SHORTEST PERIOD ALLOWED BY LAW. MAYTAG CORPORATION SHALL NOT BE LIABLE FOR INCIDENTAL OR CONSEQUENTIAL DAMAGES. SOME STATES AND PROVINCES DO NOT ALLOW THE EXCLUSION OR LIMITATION OF INCIDENTAL OR CONSEQUENTIAL DAMAGES, OR LIMITATIONS ON THE DURATION OF IMPLIED WARRANTIES OF MERCHANTABILITY OR FITNESS, SO THESE EXCLUSIONS OR LIMITATIONS MAY NOT APPLY TO YOU. THIS WARRANTY GIVES YOU SPECIFIC LEGAL RIGHTS AND YOU MAY ALSO HAVE OTHER RIGHTS, WHICH VARY STATE TO STATE OR PROVINCE TO PROVINCE.

What is Not Covered By These Warranties

1. Conditions and damages resulting from any of the following:
 - a. Improper installation, delivery, or maintenance.
 - b. Any repair, modification, alteration, or adjustment not authorized by the manufacturer or an authorized servicer.
 - c. Misuse, abuse, accidents, unreasonable use, or acts of God.
 - d. Incorrect electric current, voltage, electrical and/or gas supply.
 - e. Improper setting of any control.
2. Warranties are void if the original serial numbers have been removed, altered, or cannot be readily determined.
3. Light bulbs, water filters and air filters.
4. Products purchased for commercial or industrial use.
5. The cost of service or service call to:
 - a. Correct installation errors. For products requiring ventilation, rigid metal ducting must be used.
 - b. Instruct the user on the proper use of the product.
 - c. Transport the appliance to and from the servicer.
6. Any food loss due to refrigerator or freezer product failures.
7. Expenses for travel and transportation for product service in remote locations.
8. Outside of the United States and Canada this warranty does not apply. Contact your dealer to determine if another warranty applies.
9. Consequential or incidental damages sustained by any person as a result of any breach of these warranties. Some states do not allow the exclusion or limitation of consequential or incidental damages, so the above exclusion may not apply.

If You Need Service

First see the Troubleshooting section in your Use and Care Guide or call the dealer from whom your appliance was purchased or call Maytag Services, LLC, Customer Assistance at 1-800-688-9900 USA and 1-800-688-2002 Canada to locate an authorized servicer.

- Be sure to retain proof of purchase to verify warranty status. Refer to WARRANTY for further information on owner's responsibilities for warranty service.
- If the dealer or service company cannot resolve the problem, write to Maytag Services, LLC, Attn: CAIR® Center, P.O. Box 2370, Cleveland, TN 37320-2370, or call **1-800-688-9900 USA and 1-800-688-2002 Canada**. U.S. customers using TTY for deaf, hearing impaired or speech impaired, call 1-800-688-2080.
- User's guides, service manuals and parts information are available from Maytag Services, LLC, Customer Assistance.

Notes: When writing or calling about a service problem, please include:

- a. Your name, address and telephone number;
- b. Model number and serial number;
- c. Name and address of your dealer or servicer;
- d. A clear description of the problem you are having;
- e. Proof of purchase (sales receipt).