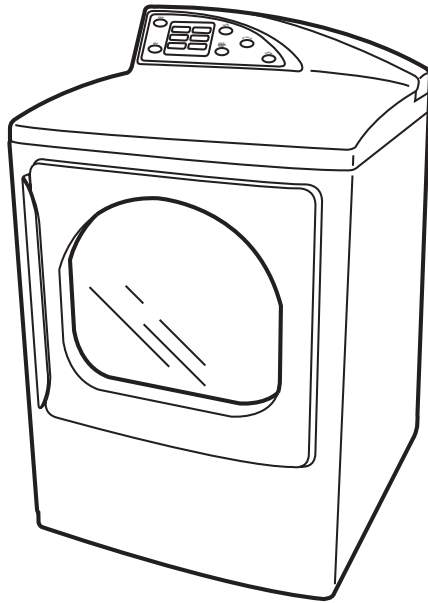




*GE Consumer Products*

# TECHNICAL SERVICE GUIDE

**Profile Gas and  
Electric Dryers**



**MODEL SERIES:  
DPGT750EC/GC**





## **IMPORTANT SAFETY NOTICE**

The information in this service guide is intended for use by individuals possessing adequate backgrounds of electrical, electronic, and mechanical experience. Any attempt to repair a major appliance may result in personal injury and property damage. The manufacturer or seller cannot be responsible for the interpretation of this information, nor can it assume any liability in connection with its use.

### **WARNING**

If the information in this manual is not followed exactly, fire or explosion may result causing property damage, personal injury or death. If you smell gas:

- Do not try to light any appliance.
- Do not touch any electrical switch; do not use any phone in the building.
- Immediately call the gas supplier from a neighbor's phone. Follow the gas supplier's instructions.
- If you cannot reach the gas supplier, call the fire department.

### **WARNING**

To avoid personal injury, disconnect power before servicing this product. If electrical power is required for diagnosis or test purposes, disconnect the power immediately after performing the necessary checks.

### **RECONNECT ALL GROUNDING DEVICES**

If grounding wires, screws, straps, clips, nuts, or washers used to complete a path to ground are removed for service, they must be returned to their original position and properly fastened.

***GE Consumer Products***

*Technical Service Guide*

*Copyright © 2003*

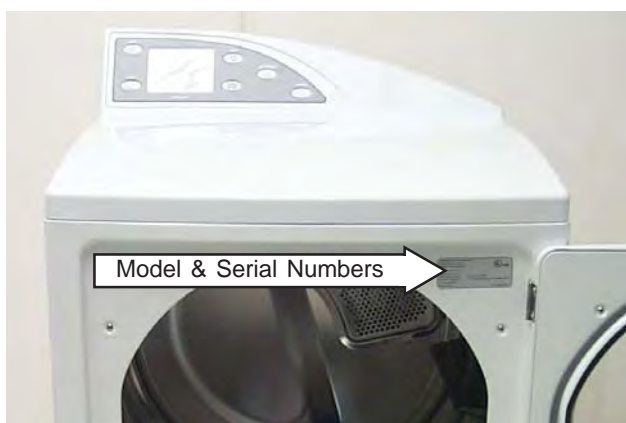
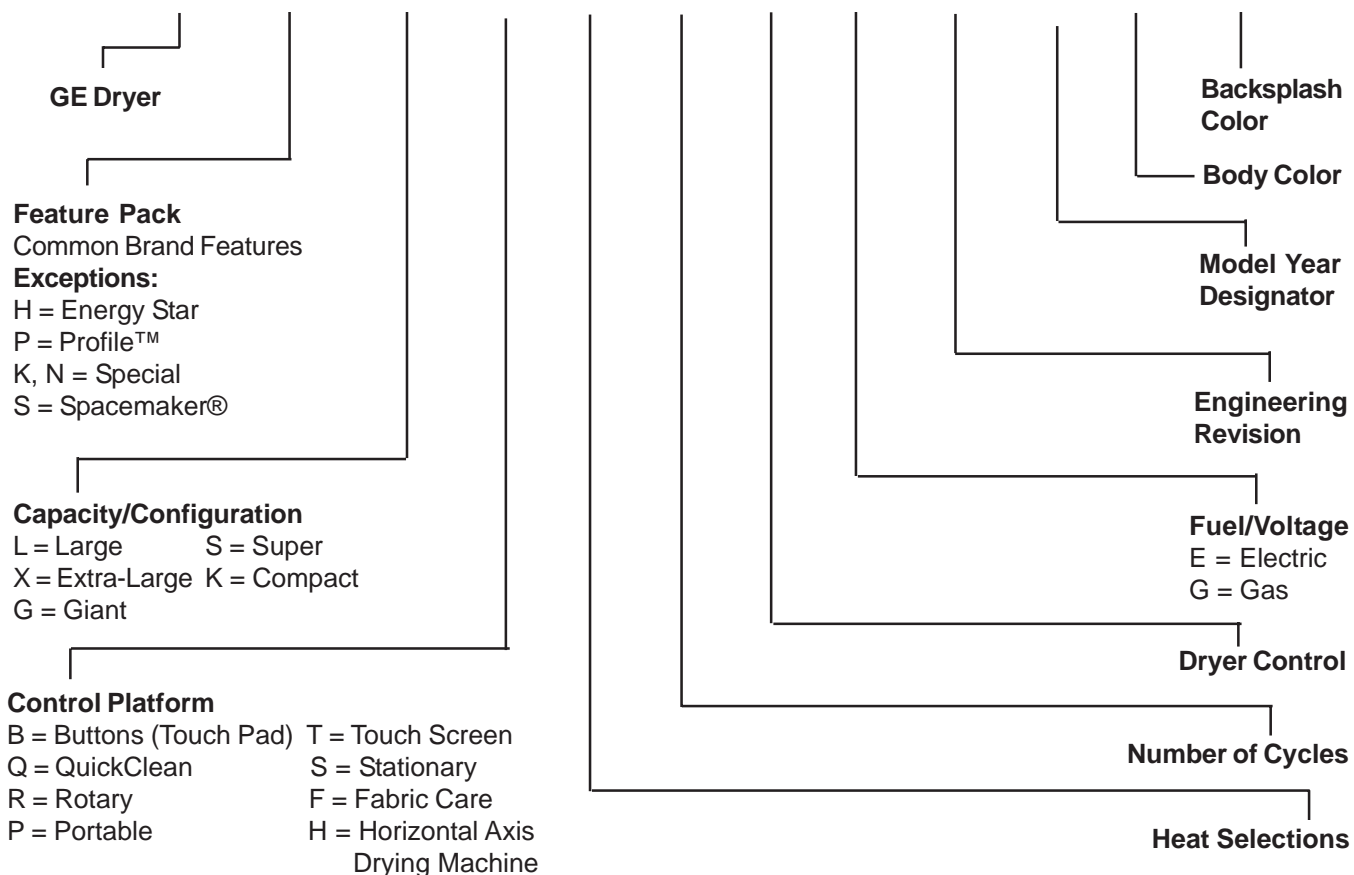
All rights reserved. This service guide may not be reproduced in whole or in part in any form without written permission from the General Electric Company.

# Table of Contents

Airflow Diagram (Gas and Electric Models) .....	15
Backsplash .....	20
Belt Switch .....	26
Blower Motor .....	27
Component Locator Views .....	16
Consumer Help Screens .....	13
Control Features .....	7
Control Quick Reference Chart .....	38
Control System .....	20
Door Switch .....	25
Drive Belt .....	26
Drive Motor .....	27
Drum .....	24
Drum Light .....	26
Drum Rollers .....	25
Dry Cycles .....	9
Dryer Components .....	20
Dryer Control Panel .....	7
Dryer Temperature Settings (Gas and Electric) .....	15
Error Charts .....	43
Factory Test Mode .....	36
Field Service Mode .....	35
Front Panel .....	23
Gas Valve .....	32
Heater Assembly (Electric Models) .....	29
Hi-Limit Thermostat .....	32
Ignitor .....	33
Ignitor and Flame Detector .....	34
Inlet Safety Thermostat .....	30
Inlet Thermistor .....	30
Inverter .....	21
Inverter and Main Board Pin Connectors .....	18
Main Control Board and Touch Screen LCD .....	20
Membrane Keypanel .....	21
Moisture Sensor .....	34
My Cycles .....	12
Nomenclature .....	4
Operation Overview .....	15
Outlet Thermistor .....	31
Outlet Thermostat .....	31
Overview .....	6
Parts .....	48
Quick Start .....	8
Reversing the Door Swing .....	58
Sales Demo Mode .....	14
Schematics .....	46
Signal (Beeper) .....	22
Summary Screen .....	10
Switching the Washer and Dryer Backsplashes .....	60
Top Cover .....	23
Troubleshooting .....	39
Troubleshooting Charts .....	40
Warranty .....	5

# Nomenclature

D P G T 7 5 0 E C 0 W W



**Note:** Model number and serial number are located on the front panel inside the door.

- The technical sheet is located behind the control panel.

## Serial Number

The first two characters of the serial number identify the month and year of manufacture.

*Example: RF123456S = August 2003*

A - JAN	2005 - H
D - FEB	2004 - G
F - MAR	2003 - F
G - APR	2002 - D
H - MAY	2001 - A
L - JUN	2000 - Z
M - JUL	1999 - V
R - AUG	1998 - T
S - SEP	1997 - S
T - OCT	1996 - R
V - NOV	1995 - M
Z - DEC	1994 - L

The letter designating the year repeats every 12 years.

*Example:*

T - 1974  
T - 1986  
T - 1998

# Warranty

All warranty service provided by our Factory Service Centers or an authorized Customer Care® technician. To schedule service on-line, 24 hours a day, visit us at [www.GEAppliances.com](http://www.GEAppliances.com) or call 800.GE.CARES (800.432.2737).

For The Period Of:	We Will Replace:
<b>One Year</b> <i>From the date of the original purchase</i>	<i>Any part</i> of the dryer which fails due to a defect in materials or workmanship. During this <b>full one-year warranty</b> , GE will also provide, <b>free of charge</b> , all labor and related service costs to replace the defective part.
<b>Second Year</b> <i>From the date of the original purchase</i>	<i>Any part</i> of the dryer which fails due to a defect in materials or workmanship. During this <b>additional one-year limited warranty</b> , you will be responsible for any labor or related service costs.
<b>Third through Fifth Year</b> <i>From the date of the original purchase</i>	<i>The extra-large or super-capacity dryer drum and main electronic control board</i> if any of these parts should fail due to a defect in materials or workmanship. During this <b>additional three-year limited warranty</b> , you will be responsible for any labor or related service costs.

## What Is Not Covered:

- Service trips to your home to teach you how to use the product.
- Improper installation, delivery or maintenance.
- Failure of the product if it is abused, misused, or used for other than the intended purpose or used commercially.
- Replacement of the light bulb after its expected useful life.
- Replacement of house fuses or resetting of circuit breakers.
- Damage to the product caused by accident, fire, floods or acts of God.
- Incidental or consequential damage caused by possible defects with this appliance.
- Damage caused after delivery.

*This warranty is extended to the original purchaser and any succeeding owner for products purchased for home use within the USA. In Alaska, the warranty excludes the cost of shipping or service calls to your home. Proof of the original purchase date is needed to obtain service under the warranty.*

*Some states do not allow the exclusion or limitation of incidental or consequential damages. This warranty gives you specific legal rights, and you may also have other rights which vary from state to state. To know what your legal rights are, consult your local or state consumer affairs office or your state's Attorney General.*

**Warrantor: General Electric Company. Louisville, KY 40225**

**Note:** The LCD screen is part of the main electronic board and under the 5 year part warranty. The inverter board is covered by a 2 year part warranty.

# Overview

## General

The GE Profile Harmony Dryer is part of the GE Profile Harmony Clothes Care System utilizing the latest developments in dryer technology.

Most conventional drying systems have a single motor that powers both the blower and the drum. Therefore, the blower fan and dryer drum are powered at the same rate of speed. If air flow is impeded by lint buildup or lengthy venting, the dryer cannot increase the fan speed without increasing the drum speed. The Harmony Dryer System utilizes dual motors and strategically placed sensors. This enables the dryer to respond quickly to temperature changes and ensure proper air flow to optimize drying effectiveness.

Other features include:

**Communication Link to the Washer-** The dryer uses a serial cable to automatically receive information from the washer about the nature of the wash load, essentially presetting the dryer controls so the user doesn't have to.

**Dual Motors -** The dryer is equipped with dual motors - one dedicated to the drum, the other to the blower fan.

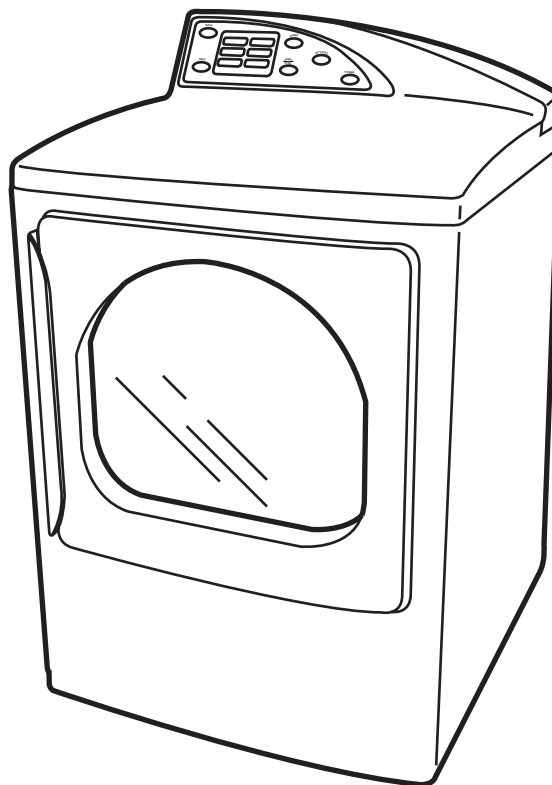
The addition of a dedicated blower motor enables the dryer to alter fan speed whenever necessary to optimize air flow. This capability greatly increases drying performance and efficiency. (See **Drive Motor and Blower Motor**).

**Variable Heater -** The dryer's heater is capable of variable heat output. Its voltage regulation feature allows the system to be rated at 6000 watts.

**Dual Thermistors -** Thermistors are much more sensitive to temperature changes and can relay the information faster than thermostats. The dryer uses dual thermistors to monitor incoming air temperature as well as the air temperature leaving the drum. The sensors work together with the variable heater and blower to provide consistent even heat. (See **Inlet Thermistor**.)

**Moisture Sensor -** The moisture sensor allows the control to monitor the fabric for moisture content and end the cycle at the desired moisture level. (See **Moisture Sensor**.)

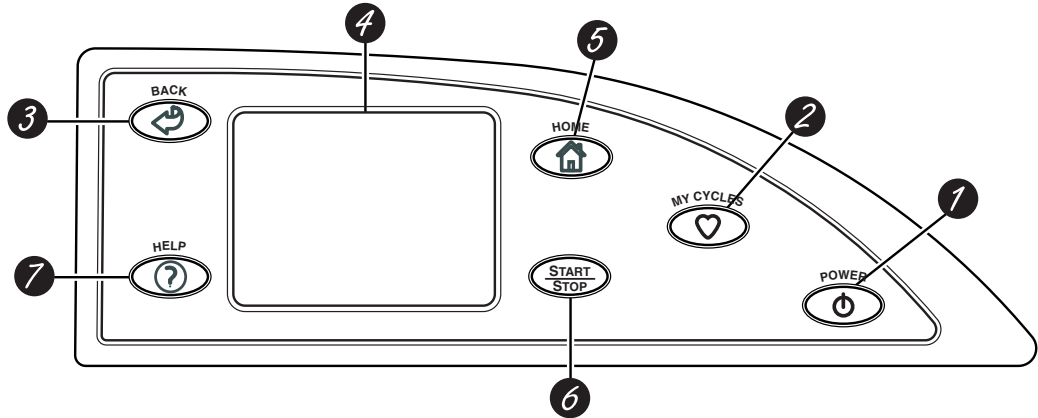
**Plastic Top & Backsplash -** The dryer top and backsplash have UV stabilizers to prevent yellowing when exposed to sunlight.



# Control Features

## Dryer Control Panel

Throughout this manual, features and appearance may vary from your model.



### *Features of the dryer control panel*

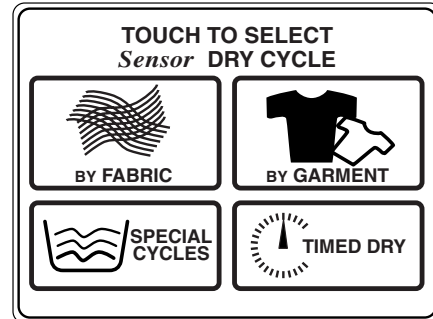
- 1 POWER.** Press to “wake up” the display. If the display is active, press to put the dryer into standby mode. You may also press the Touch Screen or any button to “wake up” the display.  
**NOTE: Pressing POWER does not disconnect the appliance from the power supply.**
- 2 MY CYCLES.** Press to use, create, rename, modify or delete custom dry cycles.
- 3 BACK.** Press to return to the previous screen.
- 4 TOUCH SCREEN.** Press the graphics on the interactive display to use the dryer features.  
**Do not use sharp objects to press the Touch Screen.**  
**NOTE: If the dryer is inactive for 5 minutes, the Touch Screen will go into standby mode, and the display will be dark. Press the Touch Screen or any button to “wake up” the display.**
- 5 HOME.** Press to return to the “TOUCH TO SELECT Sensor DRY CYCLE” screen (Home Screen).
- 6 START/STOP.** Press to start a dry cycle. If the dryer is running, pressing once will pause the dryer. Press again to restart the dry cycle.  
**NOTE: If the dryer is paused and the cycle is not restarted within five minutes, the dryer will enter standby mode and the current dry cycle will be canceled.**
- 7 HELP.** Press to set machine preferences, to find help using the Touch Screen or to find troubleshooting tips for common dryer problems.

## Quick Start

### Getting Started

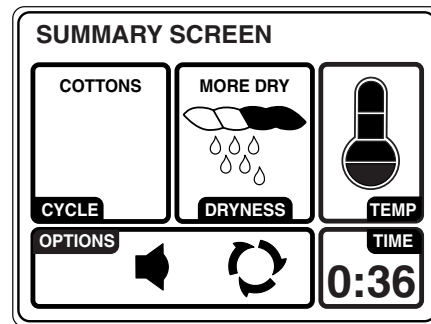
If the Touch Screen is dark, press **POWER** or the Touch Screen to access the dry cycles menu.

- 1 Clean the lint filter.  
**IMPORTANT:** Clean the lint filter each time you use the dryer.
- 2 Add clothes. **Do not overload.** This wastes energy and promotes wrinkling.
- 3 Select one of the four drying methods from the Home Screen:
  - Press **BY FABRIC** to dry according to **fabric type**.
  - Press **BY GARMENT** to dry according to **clothing type**.
  - Press **SPECIAL CYCLES** to dry **nongarment items**, to dry without heat or to dry using the drying rack.
  - Press **TIMED DRY** to specify a drying time and temperature.



Home Screen

- 4 Change any of the automatic settings, if desired, by pressing the Touch Screen and following the on-screen instructions.  
By changing the settings you can:
  - Change the level of dryness
  - Change the drying temperature
  - Set a Delay Start or Extended Tumble, or change the End-of-Cycle Signal volume
  - Adjust time settings



- 5 Close the door and press **START**.  
The dryer will not operate unless the door is closed.



### Washer Communicated Cycles

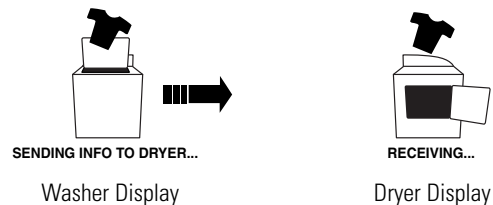
If the Washer/Dryer Communication features of your washer and dryer are turned ON, your dryer will receive cycle information from your washer to create a dry cycle that matches your wash load.

After the wash cycle is complete, communication begins once either the washer or dryer Touch Screen is activated.

Once the information is received, your dryer can then create the optimal dry cycle for your load. You can then change any of the automatic cycles, as desired.

**NOTE:** For some communicated wash cycles, your dryer will prompt you to select a **FABRIC TYPE**.

See "Final Setup" in the Installation Instructions for attaching the serial cable for Washer/Dryer Communication.





## Dry Cycles

If the Touch Screen is dark, press **POWER** or the Touch Screen to access the dry cycles menu.

The default cycle settings are based on standard load types. Always follow the fabric manufacturer's care label when laundering.

### *Drying by Fabric Type*

Select **By FABRIC** to dry loads sorted by fabric type.

FABRIC CYCLES include:

- Blends
- Cottons
- Delicates
- Knits
- Polyester
- Silks (Washable)



### *Drying by Garment Type*

Select **By Garment** to dry loads sorted by garment type.

GARMENT CYCLES include:

- Athletic Wear
- Blouses
- Delicates
- Dress Shirts
- Easy Care
- Everyday Wear/Casual
- Jackets/Coats
- Jeans
- Khakis
- Knits
- Lingerie
- Mixed Garments
- Play Clothes
- Silks (Washable)
- Sweaters
- Swimwear
- Underwear



### *Drying Using the Special Cycles*

Select **SPECIAL CYCLES** to dry loads of nongarment items, use the drying rack or to tumble using low or no heat.

SPECIAL CYCLES include:

- Air Dry
- Blankets (Cotton)
- Blankets (Other)
- Comforter
- Dewrinkle
- Dryel™
- Pet Bedding (Washable)
- Pillows (Washable)
- Rack Dry
- Sheets
- Sneakers
- Throw Rugs (Washable)
- Towels
- Warm Up



### *Drying Using Timed Dry*

Select **TIMED DRY** to set your own drying time.

Timed Dry is also recommended for small loads.

- 1 Press **TIMED DRY**.
- 2 Use the arrows to set more or less time; then press **OK**.
- 3 Use the arrows to set the temperature; then press **OK**.
- 4 Press **START**.

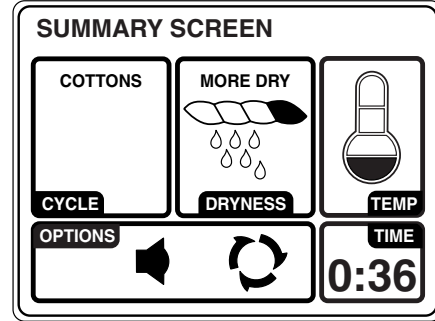


## Summary Screen

### *About the Summary Screen*

After selecting a dry cycle, the Summary Screen displays the automatic settings for the cycle you have chosen. You can adjust these by touching the screen location for any of the settings shown.

If you change any of the automatic settings, you can save the new settings as a custom "My Cycle" by pressing the **MY CYCLES** button while on the Summary Screen and choosing **SAVE CURRENT SETTINGS**.



### *Changing the Dryness Level*

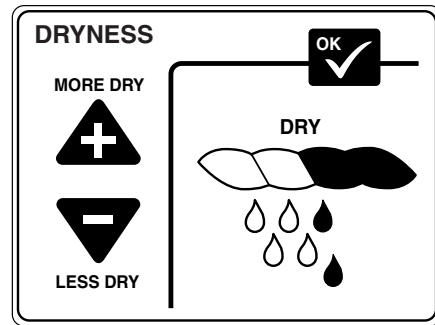
To change the dryness level, touch the **DRYNESS** pad on the Touch Screen; then use the arrows to select the level of dryness. Press **OK** when you have reached the desired setting.

**MORE DRY** – Use for heavy-duty fabrics.

**DRY** – Use for a normal dryness level suitable for most loads. This is the preferred cycle for energy saving.

**LESS DRY** – Use for lighter fabrics.

**DAMP** – Use to leave items partially damp.



### *Changing the Drying Temperature*

To change the drying temperature, touch the **TEMP** pad on the Touch Screen; then use the arrows to select higher or lower temperature. Press **OK** when you have reached the desired setting.

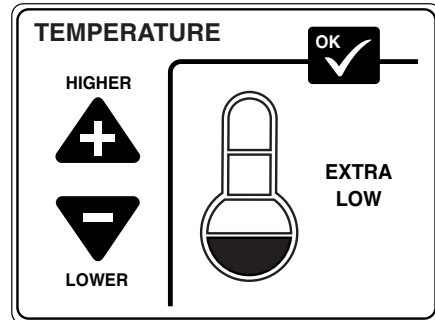
**HIGH** – For regular to heavy cottons.

**MEDIUM** – For synthetics, blends and items labeled permanent press.

**LOW** – For delicates, synthetics and items labeled Tumble Dry Low.

**EXTRA LOW** – For delicates, lingerie and special-care fabrics.

**AIR DRY** – For tumbling items without heat.



## Summary Screen

### About the Drying Options

Touch the **OPTIONS** pad on the Touch Screen to select drying options. After selecting any drying options, press **OK** to save your setting.

#### Delay Start

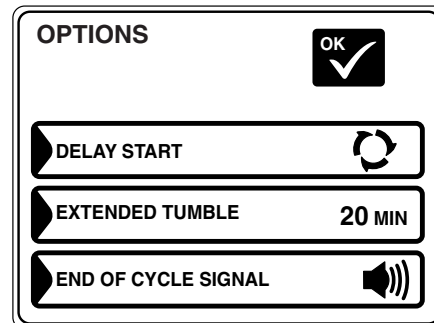
Touch the **DELAY START** pad repeatedly to set a delay time of up to 12 hours. The countdown time will be shown in the display.

#### Extended Tumble

Minimizes wrinkles by adding approximately 20 minutes of no-heat tumbling after clothes are dry. Touch **EXTENDED TUMBLE** to turn the feature on or off. If set, the Extended Tumble time will not be included in the cycle time shown in the display. The dryer will signal for the first 6 minutes during Extended Tumble.

#### End-of-Cycle Signal

Alerts you that the cycle is complete. The clothes should be removed when the beeper goes off so wrinkles won't set in. Touch **END OF CYCLE SIGNAL** to select the volume or to turn the beeper off. The new volume will be saved as the default setting.



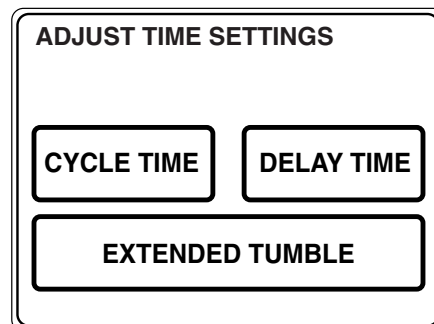
### Adjusting the Time Settings

You can adjust the time setting for the dry cycle, delay start and extended tumble times. Touch the **TIME** pad on the Summary Screen; then choose the time you wish to adjust.

**To change the dry cycle time**, select **CYCLE TIME**; then use the arrows to select more or less drying time. If the Cycle Time is changed, the dryness sensor will be turned off.

**To change the delay start or extended tumble time**, select **DELAY START** or **EXTENDED TUMBLE**; then follow the instructions in the About the Drying Options section.

**NOTE:** After the dry cycle begins, you will not be able to change the Cycle Time or Delay Time. The dryer will beep twice if you try to change the times after the cycle begins.



### About the Cycle Status Screen

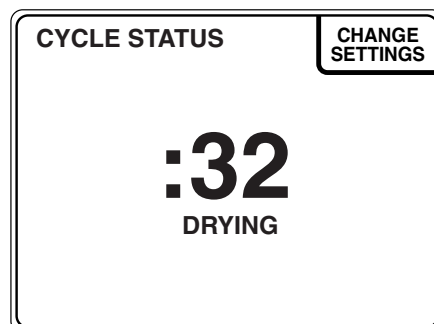
After you press **START**, a Cycle Status screen will appear to indicate what cycle the dryer is in and the time remaining in the cycle.

**DRYING** – The dryer is sensing the moisture level of the load.

**SENSING** – The dryer is determining if the correct dryness level has been reached.

**:00 COOL DOWN** – The load is dry and may be removed (the dryer will continue to blow cool air for up to 5 minutes).

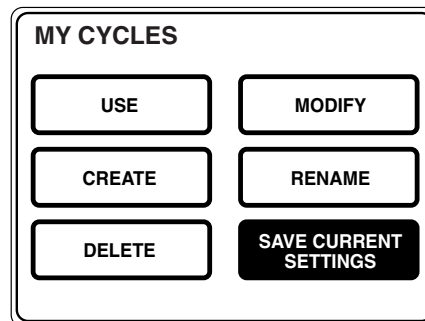
**:00 EXTENDED TUMBLE** – The load is dry and may be removed (the drum will continue to turn without heat for up to 20 minutes).



## My Cycles

### About the “My Cycles” Feature

The “My Cycles” feature allows you to create, store and reuse up to 6 custom cycles. Create your own cycles from scratch or adjust the settings of a predefined dry cycle; then save for one-touch recall.



### Creating and Using a “My Cycle”

You can create “My Cycles” two ways, by either modifying a predefined dry cycle or creating a cycle from your own combination of settings and options.

**To build your own “My Cycle” from the Home Screen:**

- 1 Press the **MY CYCLES** button.
- 2 Select **CREATE** from the Touch Screen menu.
- 3 Choose whether you want to modify a predefined cycle or create a new cycle.
- 4 If you are modifying a predefined cycle, select the dry cycle you wish to modify.
- 5 Change any of the automatic settings and select any options.
- 6 Touch **SAVE** on the Touch Screen.
- 7 Using the keypad on the Touch Screen, type the name of your “My Cycle” and press **OK**.

To begin using your new “My Cycle” right away, select it from the Touch Screen menu and press **START**.

**To save a current cycle as a “My Cycle” from the Summary Screen:**

- 1 After setting a dry cycle, or after a dry cycle has just completed, press the **MY CYCLES** button.
- 2 Select **SAVE CURRENT SETTINGS** from the Touch Screen menu.
- 3 Using the keypad on the Touch Screen, type the name of your “My Cycle” and press **OK**.

To begin using your new “My Cycle” right away, select it from the Touch Screen menu and press **START**.

**To use a “My Cycle” from the Home Screen:**

- 1 Press the **MY CYCLES** button.
- 2 Select **USE** from the Touch Screen menu.
- 3 Select the cycle name from the Touch Screen menu.
- 4 Change any of the automatic settings and select any options.
- 5 Press **START**.

### Modifying, Renaming or Deleting a “My Cycle”

**To modify the settings of a “My Cycle” from the Home Screen:**

- 1 Press the **MY CYCLES** button.
- 2 Select **MODIFY** from the Touch Screen menu.
- 3 Select the cycle name from the Touch Screen menu.
- 4 Change any of the automatic settings and select any options.
- 5 Press **SAVE** on the Touch Screen.

**To delete a “My Cycle” from the Home Screen:**

- 1 Press the **MY CYCLES** button.
- 2 Select **DELETE** from the Touch Screen menu.
- 3 Select the cycle name from the Touch Screen menu.
- 4 Choose **YES** to delete the cycle or **CANCEL** to return to the list of “My Cycles.”

## My Cycles

To rename a “My Cycle” from the Home Screen:

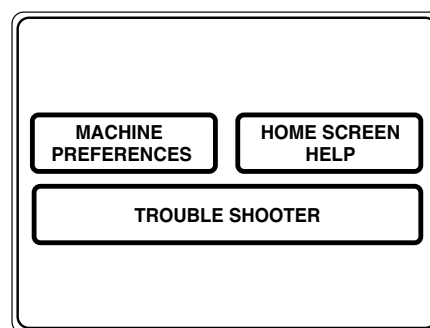
- 1 Press the **MY CYCLES** button.
- 2 Select **RENAME** from the Touch Screen menu.
- 3 Select the cycle name from the Touch Screen menu.
- 4 Using the keypad on the Touch Screen, type the name of your “My Cycle” and press **OK**.

## Consumer Help Screens

### *About the Help Feature*

Pressing the **HELP** button from the Home Screen allows you to locate troubleshooting tips for common dryer problems, to find help with using the Home Screen or to set machine preferences.

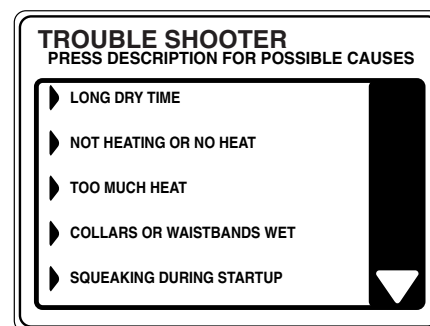
Pressing the **HELP** button while on any other screen allows you to find additional information on features found on that screen. Press **HELP**; then touch any pad on the Touch Screen for an explanation of that feature. To exit the feature, press **HELP** once to return to the previous screen or twice to exit Help.



### *Using the Troubleshooter*

To locate Troubleshooting Tips for common dryer problems:

- 1 Press the **HELP** button.
- 2 On the Touch Screen, select **TROUBLE SHOOTER**.
- 3 On the Touch Screen, select the problem description from the list. You can use the arrows at the right of the screen to scroll up and down through the list of additional problems.
- 4 On the Touch Screen, select a possible cause for the problem and follow the on-screen instructions to find a solution.



### *Finding Help Using the Home Screen*

Pressing the **HELP** button then selecting **HOME SCREEN HELP** allows you to find additional information on features found on the Home Screen. Touch any pad on the Touch Screen for an explanation of that feature. To exit the feature, press the **BACK** button.

## Consumer Help Screens

### *Setting the Machine Preferences*

The machine settings on the Help feature allow you to control the volume of the button beep and end-of-cycle signal, and turn the washer/dryer communication feature on or off.

Press the **HELP** button, then select from the on-screen options.

#### **Button Beep**

The button beep controls the volume of the beep that is made when you press any of the buttons on the control panel or Touch Screen.

#### **To change the volume of the button beep:**

- 1 From the Home Screen, press the **HELP** button.
- 2 Select **MACHINE PREFERENCES** from the Touch Screen.
- 3 Select **BUTTON BEEP** from the Touch Screen.
- 4 Use the arrows to make the volume louder or softer, or to turn the beep off.
- 5 Select **OK** from the Touch Screen.

The new volume is now saved as the default setting.

#### **Washer/Dryer Communication**

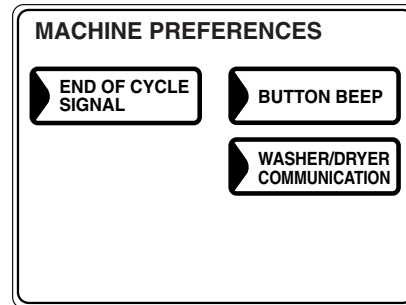
Washer/Dryer communication allows your dryer to receive cycle information from your washer to create a dry cycle that matches your wash load.

After the wash cycle is complete, communication begins once either the washer or dryer Touch Screen is activated.

Once the information is sent, your dryer can then create the optimal dry cycle for your load.

#### **To turn the Washer/Dryer Communication feature on or off:**

- 1 From the Home Screen, press the **HELP** button.
- 2 Select **MACHINE PREFERENCES** from the Touch Screen.
- 3 Select **WASHER/DRYER COMMUNICATION** from the Touch Screen.
- 4 Touch the pad at the bottom of the Touch Screen to select **ON** or **OFF**.
- 5 Select **OK** from the Touch Screen.



#### **End-of-Cycle Signal**

The End-of-Cycle signal alerts you when the cycle is complete.

#### **To change the volume of the end-of-cycle signal:**

- 1 From the Home Screen, press the **HELP** button.
- 2 Select **MACHINE PREFERENCES** from the Touch Screen.
- 3 Select **END OF CYCLE SIGNAL** from the Touch Screen.
- 4 Use the arrows to make the volume louder or softer, or to turn the signal off.
- 5 Select **OK** from the Touch Screen.

The new volume is now saved as the default setting.

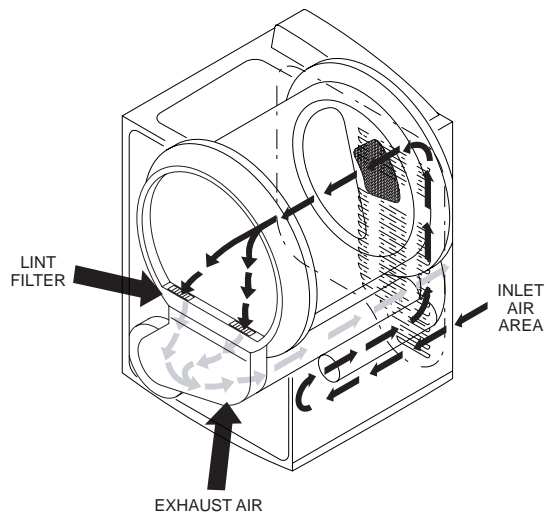
## Sales Demo Mode

Pressing HOME and MY CYCLES simultaneously for three seconds will enter into the sales demonstration mode. This mode allows the user to view a dryer cycle. To exit, press HOME and MY CYCLES simultaneously for three seconds or disconnect the power to the machine.



# Operation Overview

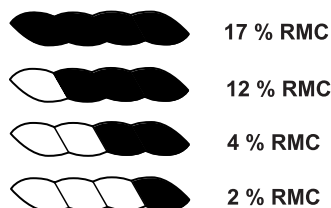
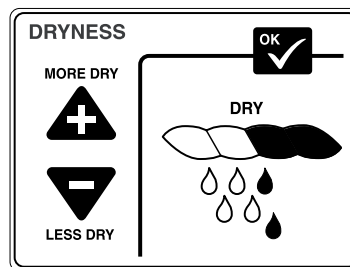
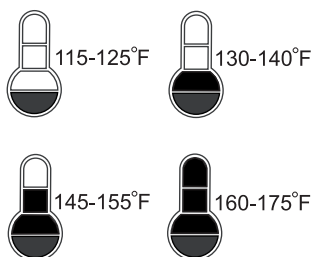
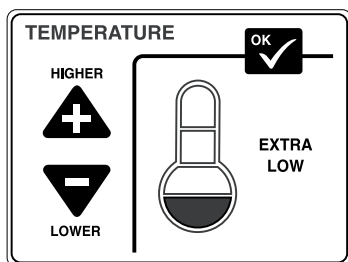
## Airflow Diagram (Gas and Electric Models)



## Dryer Temperature Settings (Gas and Electric Models)

DRYER TEMPERATURE SETTING	APPROXIMATE CURRENT DRAW (L1)	APPROXIMATE TEMPERATURE AT LINT FILTER	ELECTRIC MODEL	GAS MODEL
EXTRA LOW	10.5 AMPS	115F - 125F	2500 W	15000 BTU
LOW	16 AMPS	130F - 140F	4000 W	18000 BTU
MEDIUM	19 AMPS	145F - 155F	5000 W	22000 BTU
HIGH	24 AMPS	160F - 175F	6000 W	25000 BTU

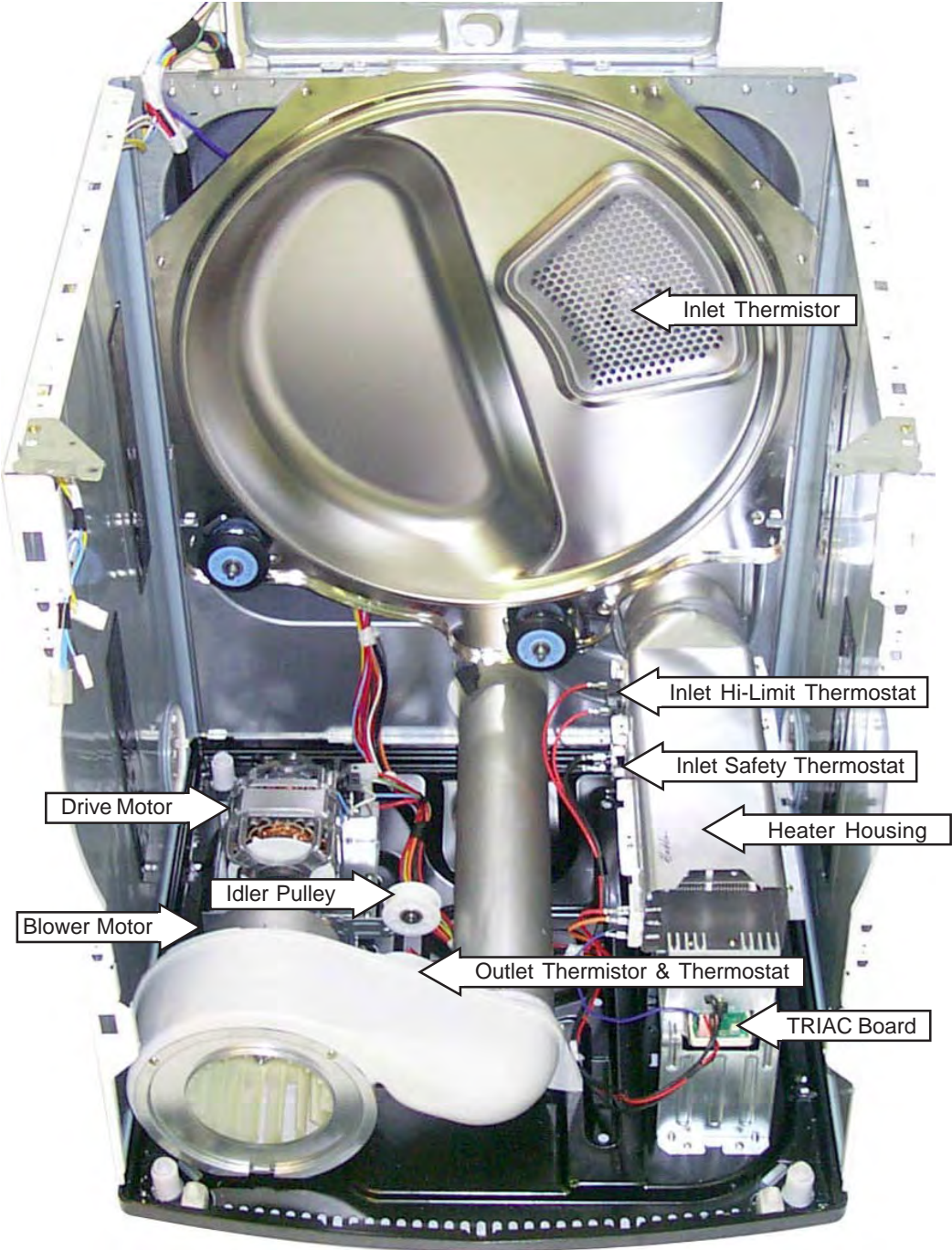
**Note:** Above measurements are at 70°F ambient temperature with no clothes load and vent disconnected.



RMC (Remaining Moisture Content)

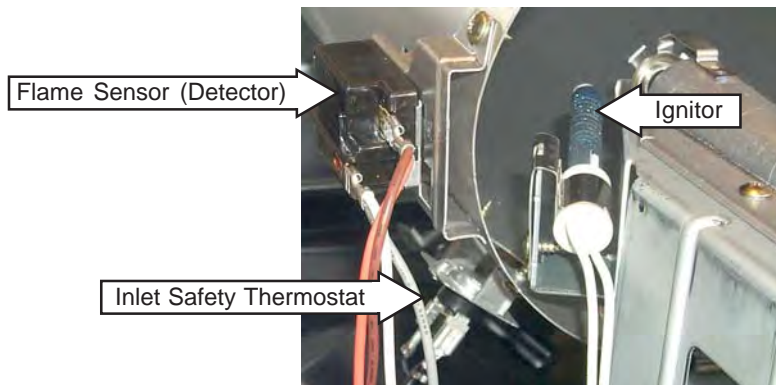
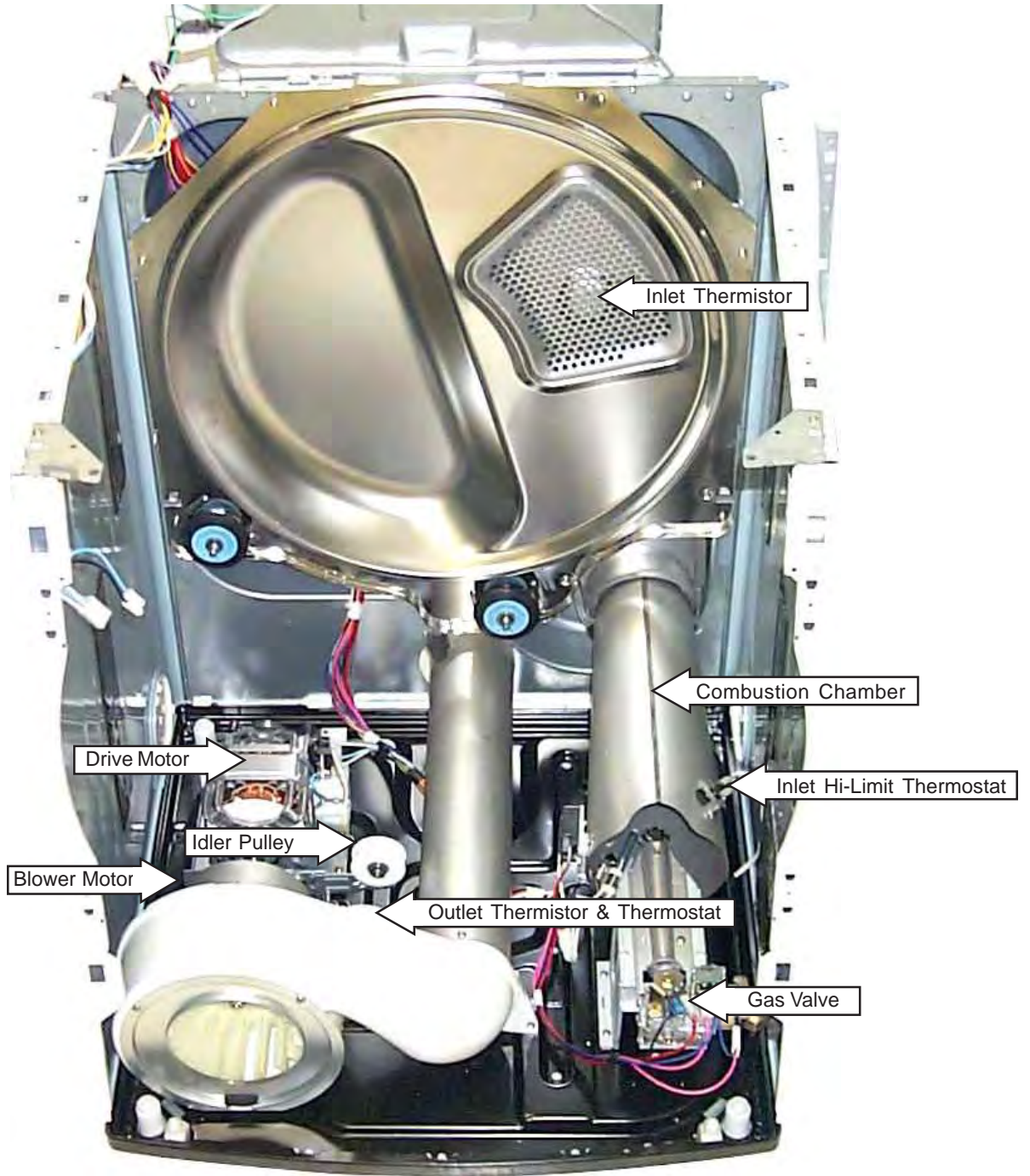
# Component Locator Views

## Electric Model



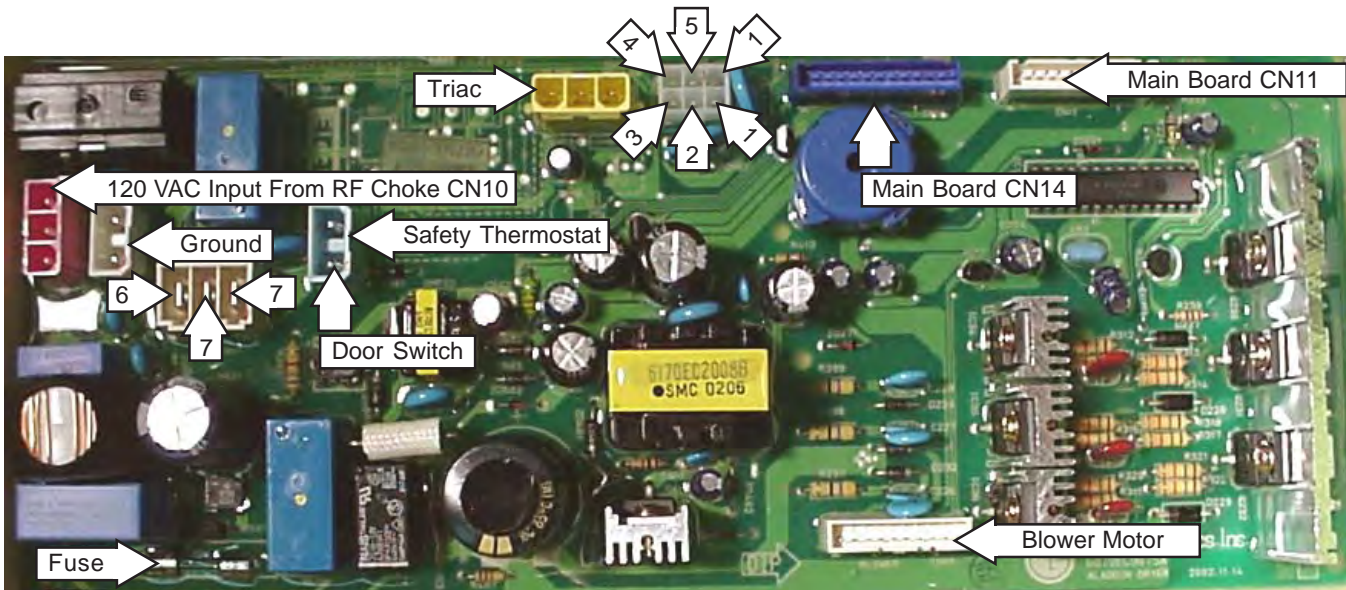


# Gas Model



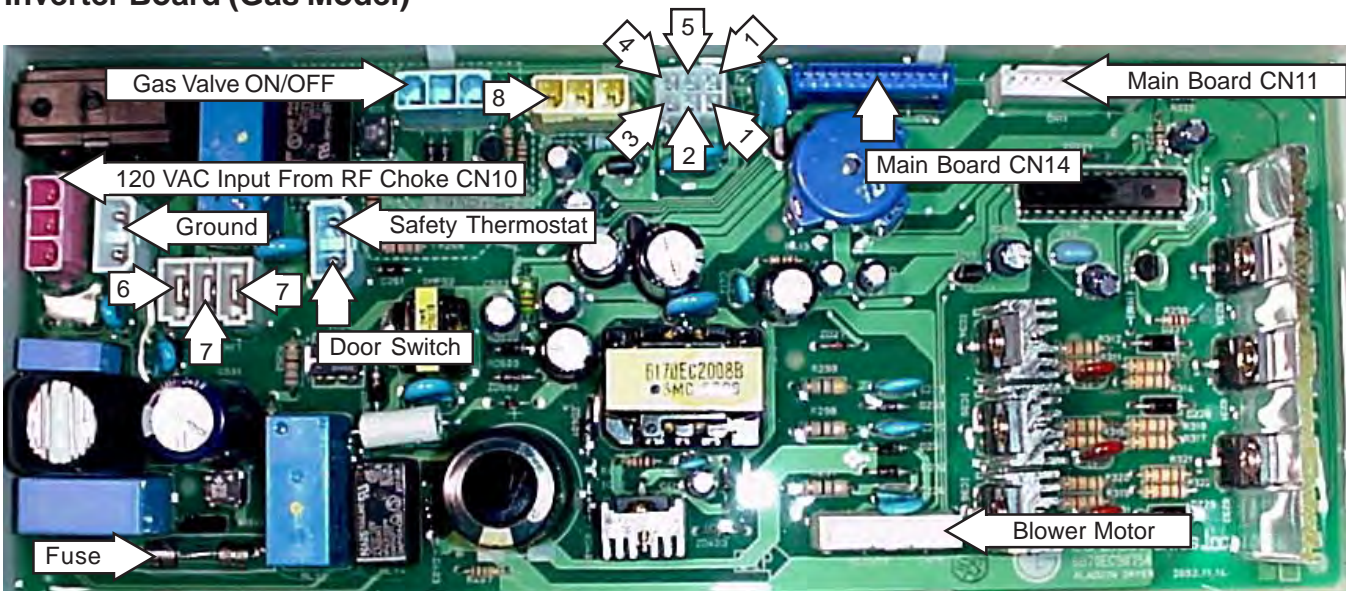
# Inverter and Main Board Pin Connectors

## Inverter Board (Electric Model)



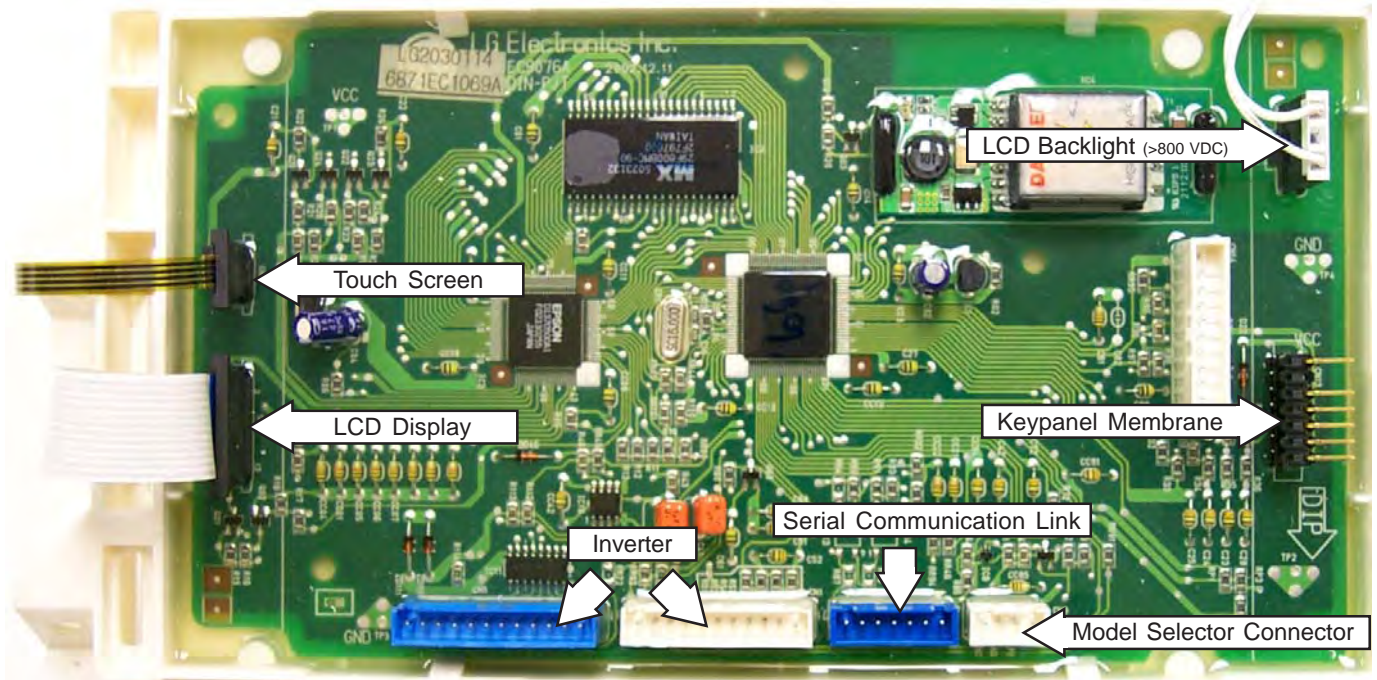
- |                    |                           |                    |              |
|--------------------|---------------------------|--------------------|--------------|
| 1-Moisture Sensor  | 3-Inlet/Outlet Thermistor | 5-Inlet Thermistor | 7-Drum Motor |
| 2-Inlet Thermistor | 4-Ground                  | 6-Heating Coil     |              |

## Inverter Board (Gas Model)

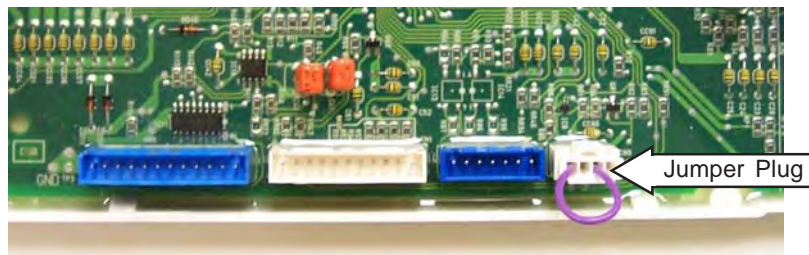


- |                    |                           |                    |                |
|--------------------|---------------------------|--------------------|----------------|
| 1-Moisture Sensor  | 3-Inlet/Outlet Thermistor | 5-Inlet Thermistor | 7-Drum Motor   |
| 2-Inlet Thermistor | 4-Ground                  | 6-Linear Gas Valve | 8-Flame Sensor |

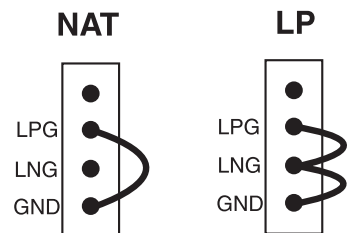
## Main Board



**WARNING: THE CONNECTOR AT THE LCD BACKLIGHT IS OVER 800 VDC. USE APPROPRIATE TYPE VOLTMETER OR DAMAGE COULD RESULT.**



### Jumper Configurations



**Note:** The gas dryer main board differs from the electric dryer main board by the addition of a jumper plug on the model selector connector (the electric model has no jumper plug). Depending on how the pins have been jumped will determine what type of gas (natural or LP) the dryer is using.

The LP conversion kit is part number WE25X10014 and consists of the LP model selector and an LP orifice for the gas valve.

The dryer control performs three checks to determine whether the dryer is an electric, LP gas or natural gas.

- Initially, the control looks for a flame sensor. If the flame sensor is detected, the control then looks for a model selector set for natural or LP gas.
- If both conditions are satisfied, the dryer will start.
- The dryer control then monitors temperature based on specific software parameters for each type of gas. If the temperature is outside of that range, an error is displayed on the LCD display and the dryer will shut down. (See **Error Chart Gas Setup Failed**).

# Dryer Components

## Backsplash

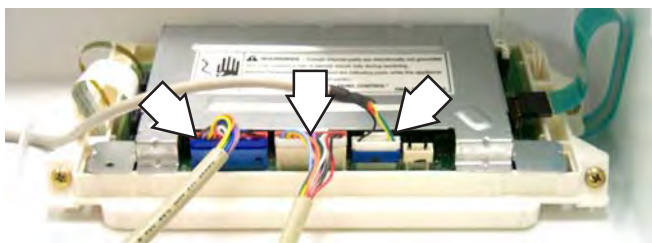
The backslash must be removed to access the control system components.

### To remove the backslash:

1. Remove the 4 Phillips head screws that hold the backslash in place.



2. Place a towel over the lid of the dryer to prevent scratches to the surface. Gently lift each corner of the backslash; then roll it forward so it rests on top of the dryer.
3. Disconnect the wiring to the control board. Remove the backslash.



## Control System

The dryer control system consists of three main components:

- Main control board and touch screen LCD
- Membrane keypanel
- Inverter

**Caution:** To prevent electrostatic discharge from damaging any electronic components, use an ESD wristband or touch a grounded metal surface before servicing.

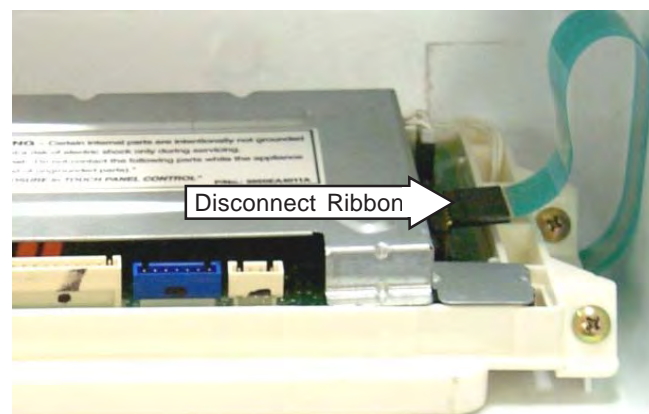
## Main Control Board and Touch Screen LCD

The main control board and touch screen LCD are attached to the backslash as one unit. The touch screen LCD and main control board are only available as a complete assembly.

### To remove the main control board and LCD touch screen assembly:

1. Remove the *Backslash*.
2. Disconnect the ribbon at the right of the main control board.

**Note:** Do not disconnect any other ribbons from the main control board.



3. Remove the 4 Phillips head screws (2 on each side) that hold the main control board and LCD touch screen assembly in place. Remove the assembly.



## Membrane Keypanel

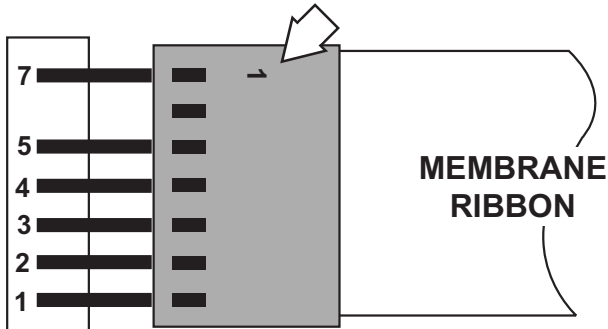
The membrane keypanel is attached to the backsplash and is available only as a complete assembly.

- When ordering a replacement backsplash, the part must be ordered as *left* or *right*, depending upon installation.
- The membrane keypanel is connected to the control board by a ribbon cable.

### Membrane Keypanel Test

To test the membrane keypanel, press the appropriate pad and check for continuity ( $0 \Omega$ ) between the following pins:

Pad	Pins
Power	1 and 3
My Cycles	1 and 4
Back	2 and 3
Help	2 and 4
Home	1 and 7
Start/Stop	1 and 5



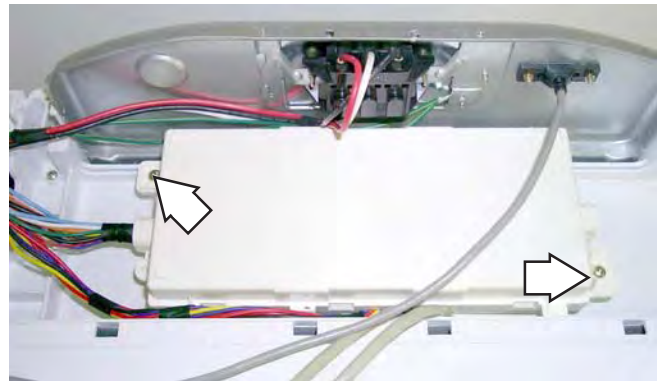
**Note:** The number 1 molded on the membrane connector is not a pin reference number.

## Inverter

The inverter board is enclosed in a protective box mounted on the top panel under the backsplash.

### To access and remove the inverter board:

1. Remove the **Backsplash**.
2. Remove the 2 Phillips head screws that hold the inverter box in place.



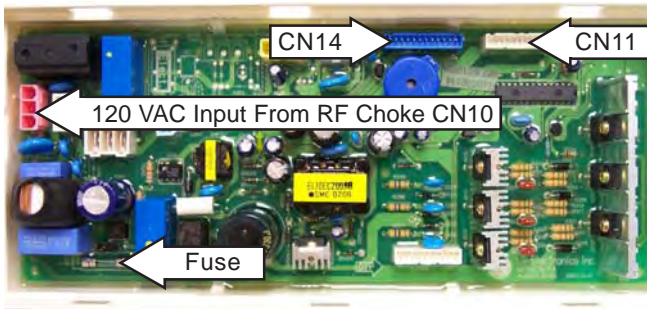
3. Slide the inverter box toward the rear of the dryer and lift out.
4. Lift the inverter box up. Press the tabs on the side and gently pry it open



5. Disconnect the wiring from the inverter board. Remove the inverter.



## Testing the Inverter



- The inverter receives 120 VAC at the red 3-pin connector CN10. The voltage first passes through an RF choke. The RF choke filters the line voltage and is replaced as an assembly. If 120 VAC is not present, check the wall outlet, power cord, and RF choke.
- When 120 VAC is present at CN10, there should be 5 VDC between pin 3 (white wire) and pin 7 (blue wire) on the white connector CN11. (This voltage is used to keep the membrane and LCD display in standby, waiting for a key-press.)
- Upon activating a membrane pad or touching the LCD screen, the control "wakes up" and a second transformer is energized. When this condition is present, 12 VDC and 20 VDC can be measured on the board.
- 12 VDC should be between pin 3 (white wire) on white connector CN11 and pin 8 (pink wire) on the blue connector CN14.
- 20 VDC should be between pin 3 (white wire) on white connector CN11 and pin 12 (brown wire) on the blue connector CN14.

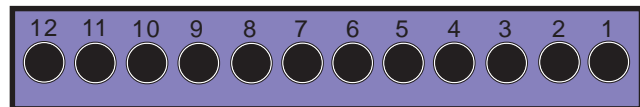
Voltage	CON	Pin	Wire Color	CON	Pin	Wire Color
120 VAC	CN10	1	BLK	CN10	3	WHT
5 VDC	CN11	3	WHT	CN11	7	BLU
12 VDC	CN11	3	WHT	CN14	8	PNK
20 VDC	CN11	3	WHT	CN14	12	BRN

## Signal (Beeper)

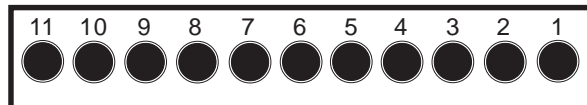
The beeper is mounted on the inverter, but controlled by the main control board.

- The beeper uses the same 12 VDC supply as the LCD backlight.
- To check the 12 VDC circuit, measure between pin 3 (white wire) on white connector CN11 and pin 8 (pink wire) on the blue connector CN14. (See *Inverter and Main board Pin Connectors*.)

CN14



CN11



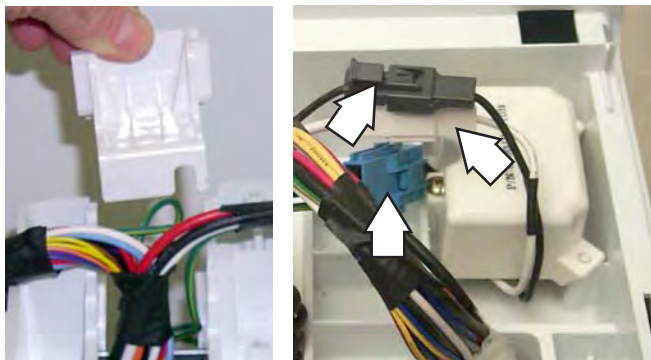


## Top Cover

The top cover is held in place by 2 Phillips head screws, located on the back of the washer, and two front tabs.

### To remove the top cover:

1. Remove the **Backsplash**.
2. Remove the 2 screws that hold the **Inverter** box in place.
3. Place the inverter box off to the side of the dryer.
4. Slide the wiring harness guard out. Disconnect the wires to the RF choke/surge protector.



5. Remove the 2 rear Phillips head screws that hold the top cover in place.



6. Lift the top cover and slide it forward to clear the front tabs.



## Front Panel

**WARNING:** Sharp edges may be exposed when the inner top cover is removed. Use caution to avoid injury when servicing dryer. Wear Kevlar gloves or equivalent protection.

### To remove the front panel:

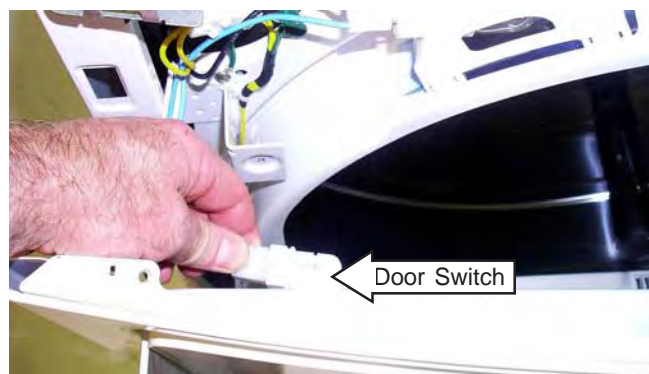
1. To access the 2 top Phillips head screws securing the front panel, remove the backsplash and top cover.
2. Open the door and remove the 4 Phillips screws from the front panel.



3. Remove the 2 Phillips screws that hold the front panel to the inner top cover.



4. Lift and tilt the front panel forward slightly to disconnect wiring to the door switch.



5. Remove the front panel .

## Drum

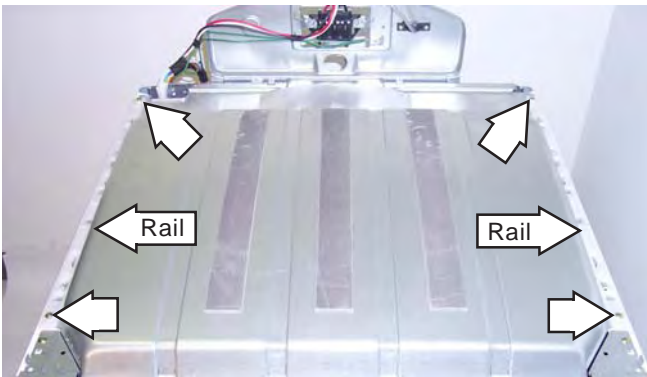
**WARNING:** Sharp edges may be exposed. Wear Kevlar gloves or equivalent protection.

The dryer drum is made of 304 stainless steel and has three replaceable drum baffles attached to the inside. The drum rotates clockwise at 47 to 50 rpm.

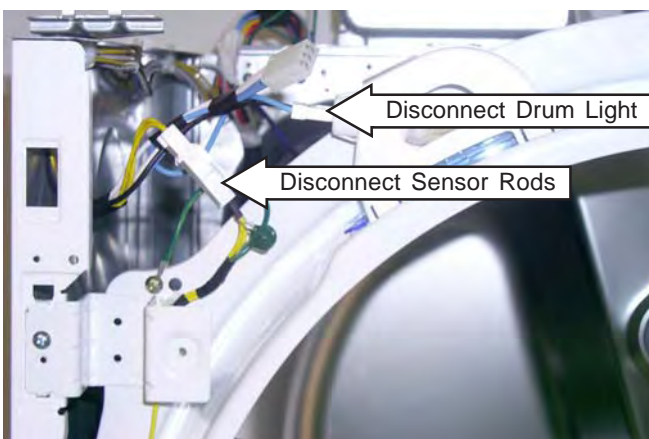
### To remove the drum:

1. Remove the **Top Cover** and the **Front Panel**.
2. The heat shield is held in place by 4 Phillips head screws (2 on each side) and 2 plastic rails (1 on each side). Remove the screws that hold the plastic rails in place. Slide the rails forward and out.

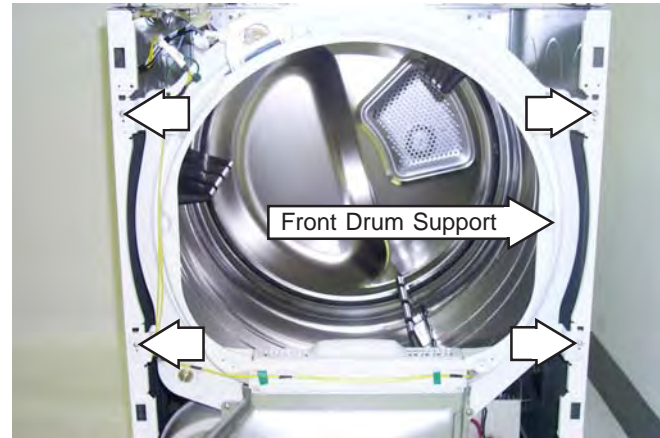
**Tech Tip:** The drum *can* be removed without removing the heat shield if desired. However, installation and removal of the drum can be difficult due to the limited space around the drum if the heat shield is left in place.



3. Disconnect wiring to the drum light and sensor rods.



4. Remove the 4 screws that hold the front drum support to the sides of the dryer.



5. Grasp the top outside edges of the front drum support and unsnap the 4 corners from the sides of the dryer. Remove the front drum support.
6. Remove the **Drive Belt** from the motor.
7. Using the belt as a handle, pull the drum forward and guide it out of the dryer cabinet.

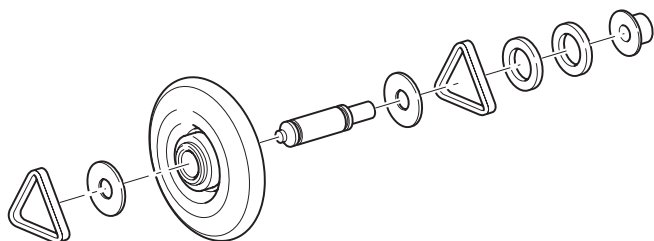




## Drum Rollers

The 304 stainless steel drum rotates on four drum rollers. Two on the front drum support and two on the rear drum support.

The drum roller comes as a complete assembly.



### To remove the drum rollers:

1. Remove the **Top Cover** and **Front Panel**.
2. Remove the front drum support to access the front drum rollers. Remove the **Drum** to access the rear drum rollers.
3. Each drum roller is held in place by a plastic triangular clip.
4. Remove the plastic triangular clip with a small flat-blade screwdriver and remove the drum roller.
5. To remove the drum roller shaft from the front drum support, remove the 14 mm hex nut that holds the shaft in place.
6. To remove the drum roller shaft from the rear drum support:
  - a. Remove the **Heater Assembly**.
  - b. Remove the seven screws from the back of the dryer that hold the rear drum support in place.
  - c. Remove the 14 mm hex nut that holds the drum roller shaft in place.



## Door Switch

The door switch is fastened to the front panel by two locking tabs and is common to all dryer functions.

- When the dryer door is closed, the switch will complete the motor circuit, allowing dryer operation.
- Immediately upon detection of a door opening, the drum motor and blower motor shut off and all heat is disabled.
- If the door is open at the start of a cycle or while a cycle is running, the SUMMARY SCREEN is displayed on the LCD screen.
- Once the door is closed, the dryer pauses and the SUMMARY SCREEN is displayed showing cycle parameters and the current estimated cycle time remaining.
- The dry cycle can be resumed by pressing the START/STOP pad.
- Opening the dryer door closes the drum light circuit, allowing the drum light to be energized.
- The door switch circuit can be checked in the factory test mode.

## Drum Light

The drum light has a screw-in 15-watt, 120-VAC bulb located in the top of the front panel. It is switched on the neutral side by the door switch.

- Replace only with a bulb of the same size and type. (The bulb can be found at most local stores).
- Remove the screw in the bulb lens to access the bulb.

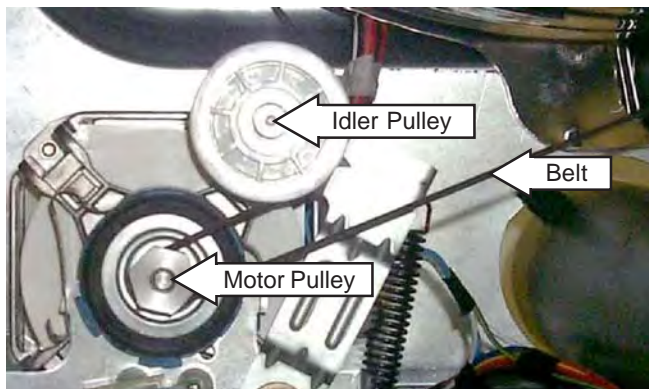


## Drive Belt

The drive belt extends from the motor pulley, past the idler pulley, and around the perimeter of the dryer drum. Part # WE12X10011.

### To remove the drive belt:

1. Remove the **Top Cover** and **Front Panel**.
2. Reach under the left side of the drum, push the idler pulley to the left to take tension off the belt.
3. Remove the belt from the motor pulley and idler pulley. Pull the belt through the front of the dryer.



### To install the drive belt:

1. Place the belt in position around the front of the drum.
2. Reach under the left side of the drum and place the belt in position around the motor pulley. Push the idler pulley to the left and place the belt onto the idler pulley.
3. Release the idler pulley and guide the belt into position.
4. Install the **Drum** support.

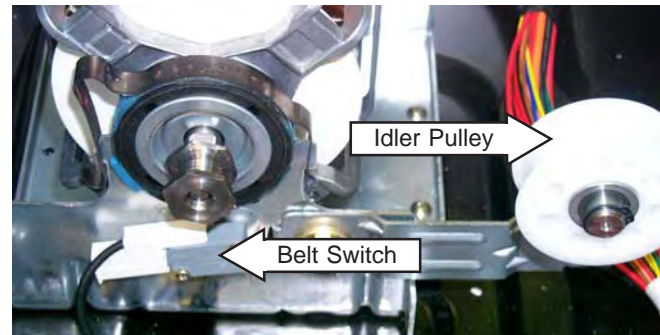
**Note:** Lift the drum slightly to line up the drum with the drum support.

5. Check to make sure the belt is in place and not twisted before installing the top and front panels.

## Belt Switch

The belt switch is fastened to the motor bracket by 2 Phillips head screws.

- The belt switch is activated by the idler pulley.
- If the drive belt breaks, the belt switch opens the drive motor circuit, interrupting all dryer functions except the drum lamp.



### To remove the belt switch:

1. Remove the **Top Cover**, **Front Panel**, and **Drum**.
2. Disconnect the wiring to the belt switch.
3. Remove the 2 Phillips head screws that hold the belt switch to the motor bracket.



## Drive Motor

The drive-motor is a single-speed AC, 1/3-hp motor with an automatic reset overload protector.

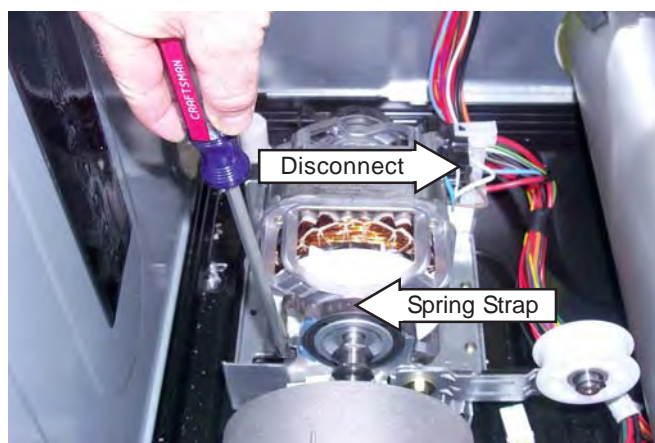
- The overload protector is an internal component of the motor and cannot be replaced separately.
- The motor contains a centrifugal switch that serves three purposes:
  1. Disengages the motor start winding.
  2. Engages the motor run winding.
  3. Closes the circuit contacts for the heat source.
- The switch is an internal component of the motor and cannot be replaced separately.

The drive motor has an approximate resistance value of:

- 3  $\Omega$  between the blue and white wires
- 7  $\Omega$  between the brown and blue wires.
- 10  $\Omega$  between the brown and white wires.

### To remove the drive motor:

1. Disconnect power to the unit.
2. Remove the **Top Cover, Front Panel, and Drum**.
3. Disconnect the motor wiring.
4. With a flat blade screwdriver, compress the open end of the spring strap (one strap on each end of the drive motor) until it releases.



5. Remove the spring straps. Remove the drive motor from its cradle.

## Blower Motor

The blower motor is a DC, variable speed motor capable of operating at different speeds in response to changing air temperature and venting impedances. Below 1000 rpm, the dryer control turns the heater off.

Resistance of the motor windings can be measured at the 10-pin connector on the inverter board or at the motor. (See **Inverter and Main Board Pin Connectors**).

The blower motor has an approximate resistance value of 14  $\Omega$  between the following wires:

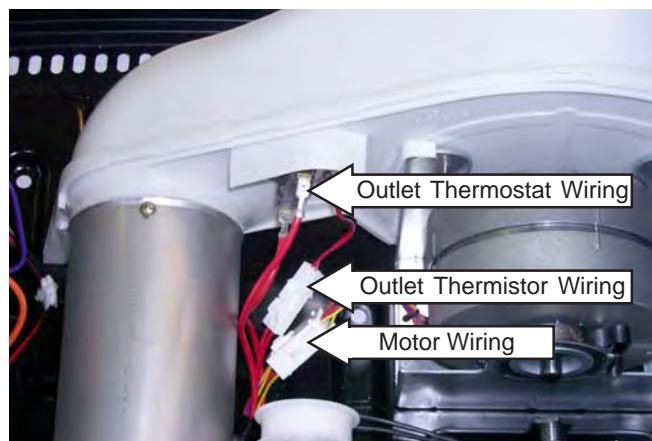
- Yellow to Yellow
- Red to Red
- Blue to Blue

The remaining wires are a ground and feedback through the control for determining motor speed.

### To remove the blower motor:

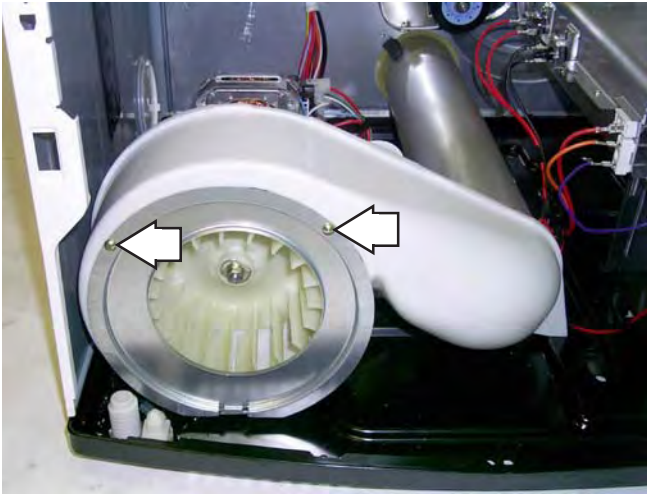
The blower housing must be removed to access the blower motor.

1. Disconnect power to the unit.
2. Remove the **Top Cover, Front Panel, and Drum**.
3. Disconnect the outlet thermistor and outlet thermostat wiring located on the back side of the blower housing.
4. Disconnect the motor wiring.



(Continued next page)

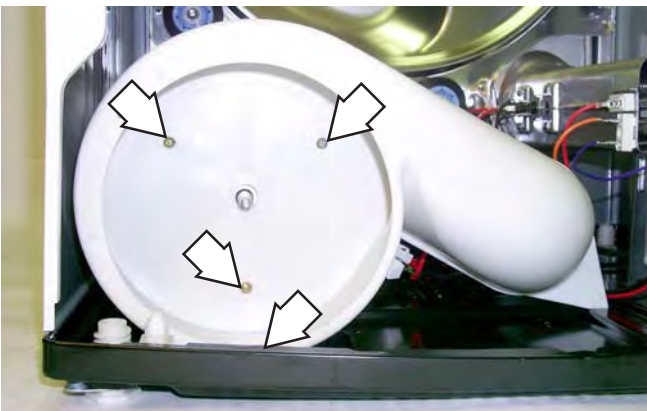
5. Remove the 2 Phillips head screws that hold the blower guard in place. Remove the blower guard.



6. Remove the 13 mm center nut. (Turn clockwise to remove.) Remove the blower wheel.

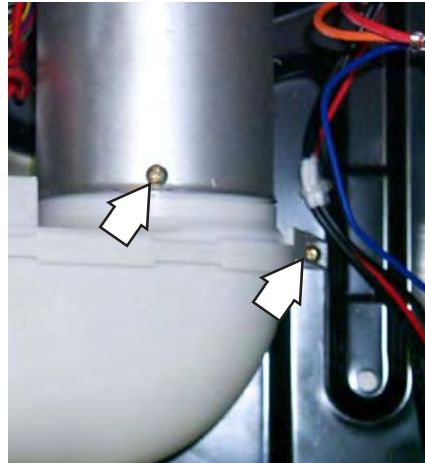


7. Remove the 3 Phillips head screws from the center of the blower housing. Remove the front screw from the dryer base.



8. Remove the remaining 2 Phillips head screws from the dryer base and exhaust duct.

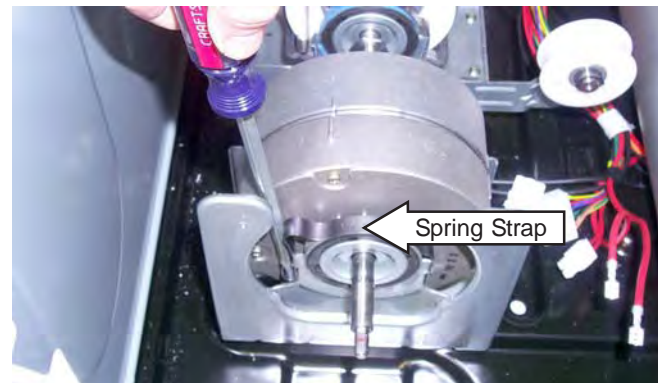
Top View



**Note:** The motor shaft has a snap ring, which prevents the blower wheel from rubbing the back of the blower housing.



9. Remove the blower housing.
10. With a flat blade screwdriver compress the open end of the spring strap (one strap on each end of the drive motor) until it releases.



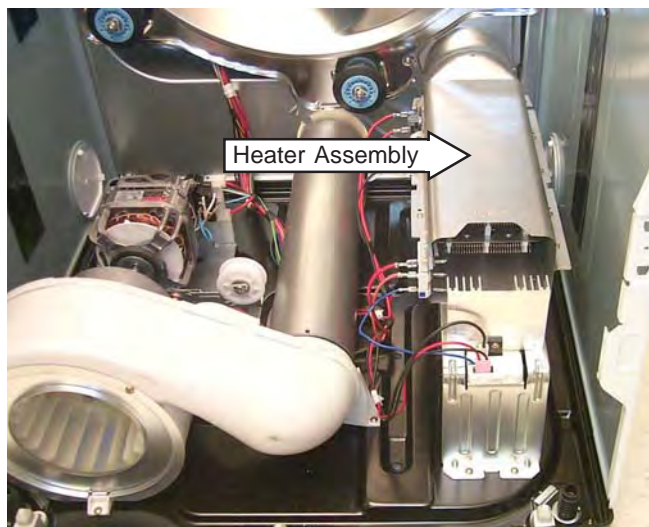
11. Remove the spring straps. Remove the drive motor from the motor bracket.

**Note:** The motor bracket is notched, be sure to align the motor correctly in the bracket when installing.

## Heater Assembly (Electric Models)

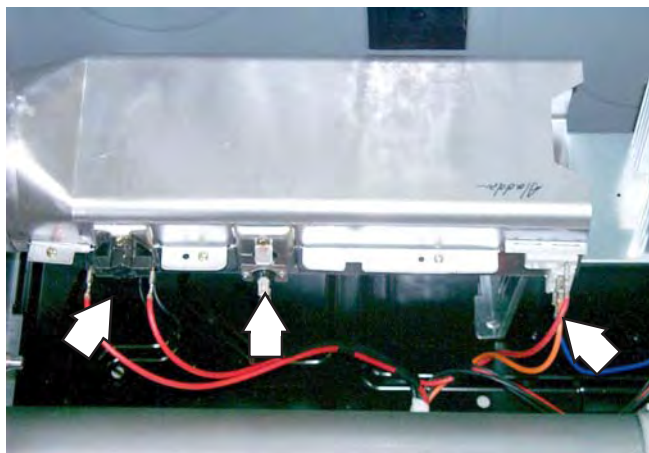
The electric dryer has two heating elements. One is fixed at 3000 watts and cycles on and off. The other is variable, controlled by a Triac that varies the wattage from 0 to 3000 watts.

- The total wattage of the dryer will vary from 3000 to 6000 watts.
- The open end in the back of the housing allows air to be drawn over the heating coils and into the drum.
- Each row of coils should have a resistance value of 17  $\Omega$ .

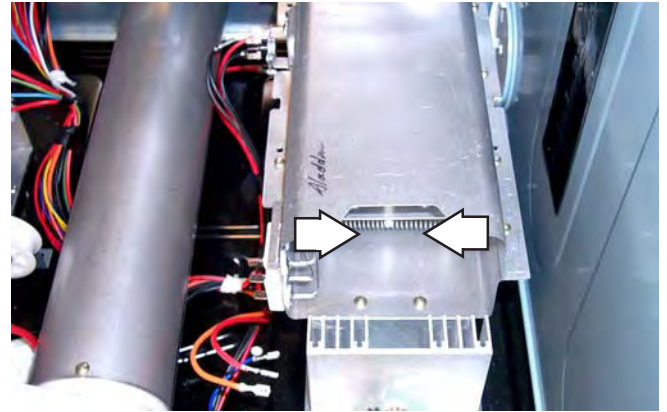


### To remove the heater assembly:

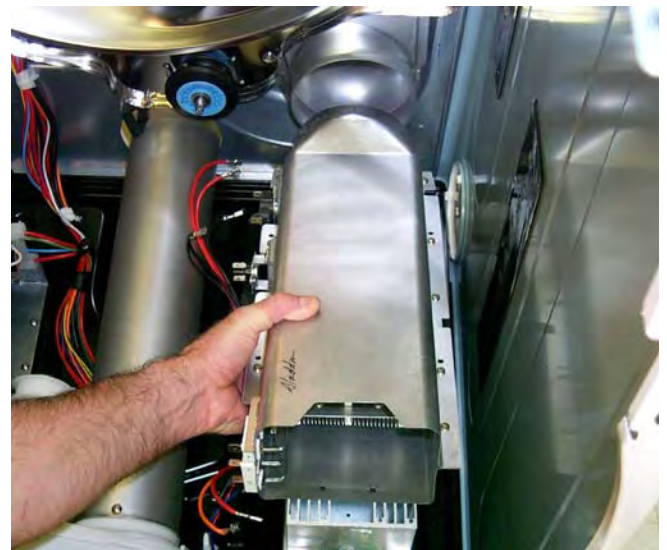
1. Remove the **Top Cover**, the **Front Panel**, and the **Drum**.
2. Note the wire locations and disconnect all wiring to the heater assembly.



3. Remove the 2 Phillips head screws that hold the heater assembly in place.

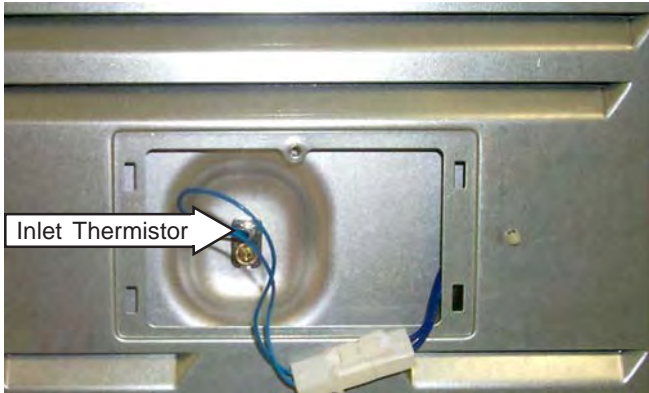


4. Remove the heater assembly.



## Inlet Thermistor

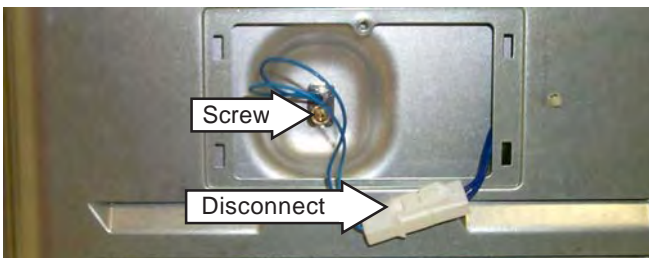
The inlet thermistor is located on the inside of the inlet air duct on both electric and gas models.



- The inlet thermistor measures the incoming air temperature and responds to temperature changes.
- The inlet thermistor provides temperature change information to the electronic control board.
- The electronic control board makes heating and blower decisions based on this information.
- At room temperature the inlet thermistor has a resistance value of  $2.27\text{ K } \Omega \pm 5\%$ .

### To remove the thermistor:

1. Remove the inlet thermistor access cover located on the back of the dryer.
2. Disconnect the thermistor wiring.

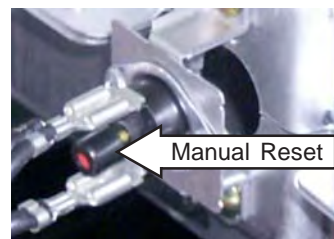
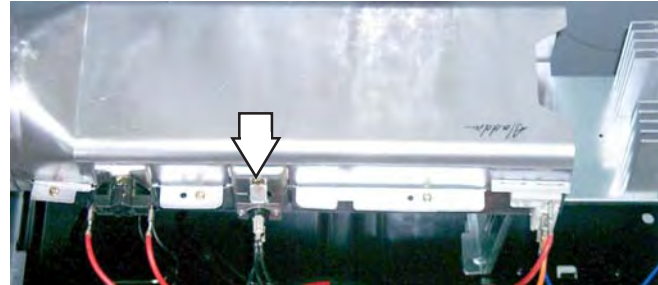


3. Remove the screw that holds the thermistor in place. Remove the thermistor.

## Inlet Safety Thermostat

The inlet safety thermostat is located on the left side of the heater housing on electric models and on the lower, left side of the combustion chamber on gas models.

### Electric Model Location



### Gas Model Location



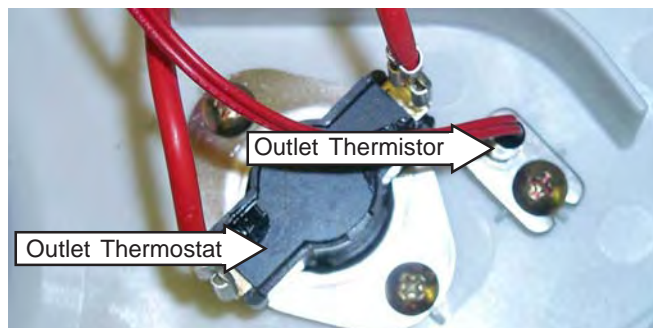
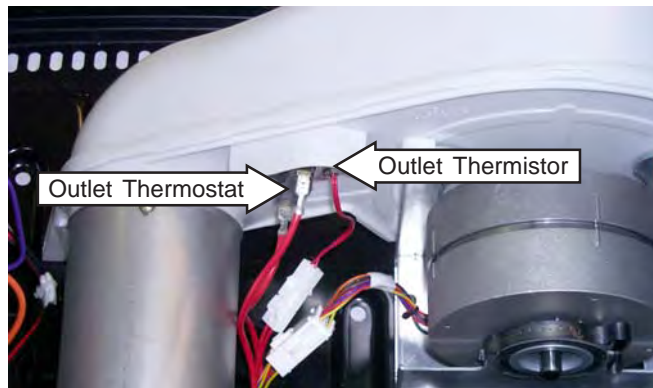
- The inlet safety thermostat monitors incoming air temperature.
- If the thermostat reaches a temperature beyond its maximum temperature rating, it will trip and disable all dryer functions except the drum lamp.
- The inlet safety thermostat must be reset manually by pressing the reset button on the back of the thermostat (see photos).
- The inlet safety thermostat on the electric models has a trip temperature of 212°F (100°C).
- The inlet safety thermostat on the gas models has a trip temperature of 266°F (130°C).

#### To remove the safety thermostat:

1. Remove the **Top Cover, Front Panel, and Drum.**
2. Disconnect the safety thermostat wiring.
3. Remove the 2 screws that hold the safety thermostat in place. Remove the safety thermostat.

### Outlet Thermistor

The outlet thermistor is located on the blower housing on both the gas and electric models.



- The outlet thermistor measures outgoing air temperature and responds to temperature changes.
- The outlet thermistor provides temperature change information to the electronic control board.
- The electronic control board makes heating decisions based on this information.
- At room temperature the outlet thermistor has a resistance value of 10 K  $\Omega$  +/- 3%.

#### To remove the outlet thermistor:

1. Remove the **Top Cover, Front Panel, and Drum.**
2. Disconnect the thermistor wiring.
3. Remove the screw that holds the thermistor in place. Remove the thermistor.

### Outlet Thermostat

The outlet thermostat is located on the blower housing on both the gas and electric models (see photos.)

- The outlet thermostat monitors outgoing air temperature.
- If the outlet thermostat reaches a temperature beyond its maximum temperature rating, it will trip and disable the heating function only.
- The heating function will be restored when the outlet thermostat cools and resets.
- The outlet thermostat on the electric model has a trip temperature of 189°F (87°C) and a reset temperature of 153°F (67°C).
- The outlet thermostat on the gas model has a trip temperature of 185°F (85°C) and a reset temperature of 149°F (65°C).

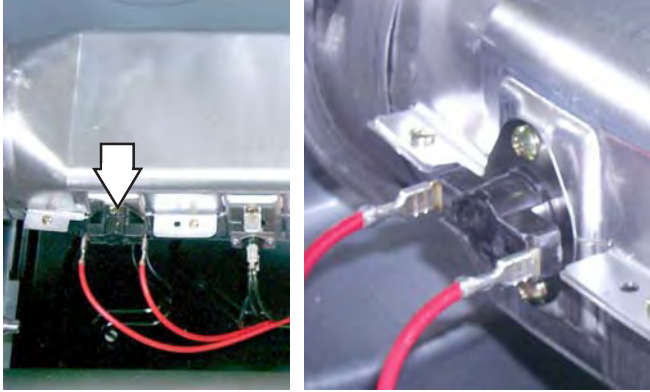
#### To remove the outlet thermostat:

1. Remove the **Top Cover, Front Panel, and Drum.**
2. Disconnect the thermostat wiring.
3. Remove 2 Phillips head screws that hold the outlet thermostat to the blower housing. Remove the outlet thermostat.

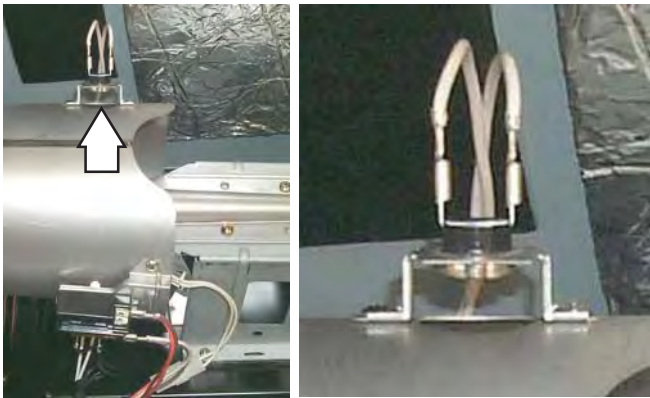
## Hi-Limit Thermostat

The hi-limit thermostat is located on the left side of the heater housing on electric models. It is located on the right, upper side of the combustion chamber on gas models.

Electric Model Location



Gas Model Location



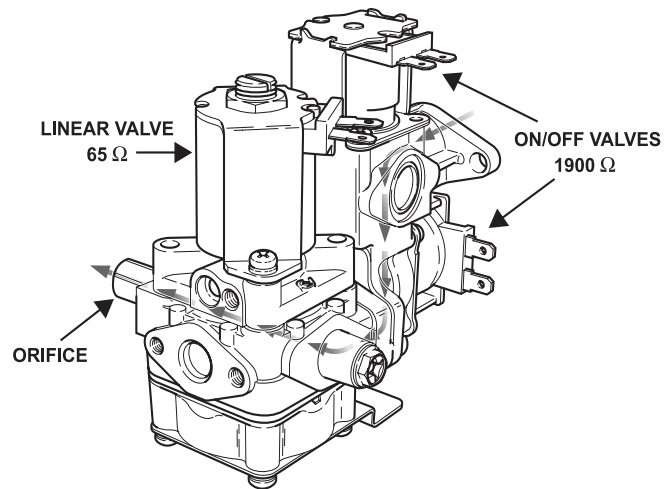
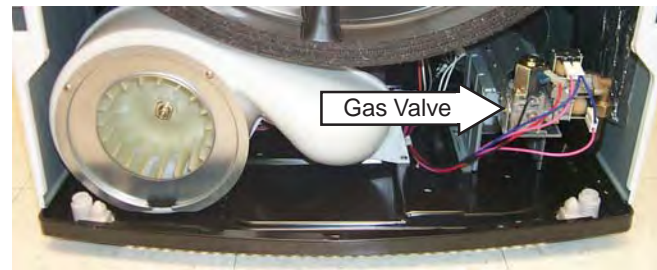
- The hi-limit thermostat monitors incoming air temperature.
- If the hi-limit thermostat reaches a temperature beyond its maximum temperature rating, it will trip and disable the heating function only.
- Heating functions will be restored when the hi-limit thermostat cools and resets.
- The hi-limit thermostat on the electric models has a trip temperature of 230°F (110°C) and a reset temperature of 194°F (90°C).
- The hi-limit thermostat on the gas models has a trip temperature of 194°F (90°C) and a reset temperature of 158°F (70°C).

## To remove the hi-limit thermostat:

1. Remove the **Top Cover**, the **Front Panel**, and the **Drum**.
2. Disconnect the lead wires to the hi-limit thermostat.
3. Remove the 2 screws that hold the hi-limit thermostat to the housing. Remove the hi-limit thermostat.

## Gas Valve

The gas valve assembly is located in the bottom, right, front corner of the dryer cabinet.



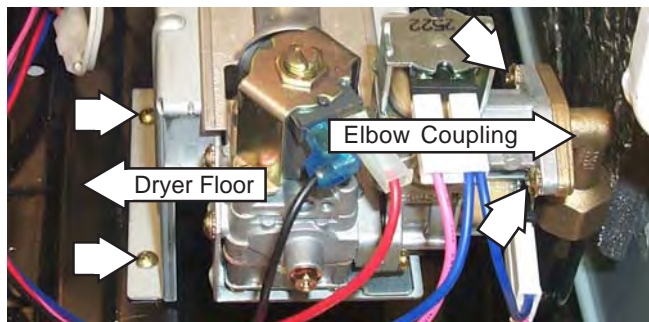
- The gas valve consists of 3 valves operated by 12 VDC solenoid coils.
- Two of the valves are either in an open or closed state, depending on whether the coils are energized by the control.
- The resistance value of these coils is approximately 1900 Ω.
- The third valve is a linear valve. The valve opening varies depending on the amount of voltage it receives from the electronic control. The resistance of the coil on the linear valve is approximately 65 Ω.



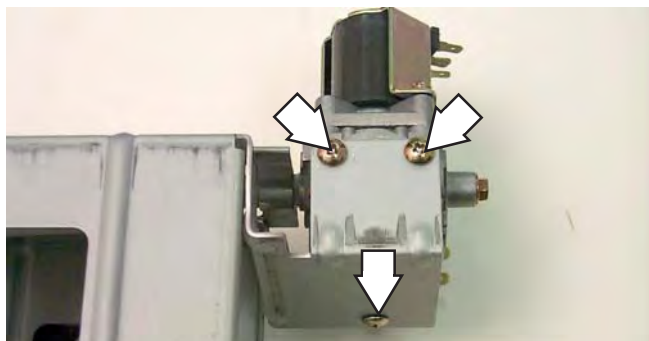
- The control operates the gas valves by supplying voltage based on varying duty cycles.
- It is difficult to determine specific voltages at the valve due to software algorithms based on clothes load and temperature settings. The most accurate diagnostic check is to measure resistance of the solenoid coils.

#### To remove the gas valve:

1. Shut off the gas and electricity to the dryer.
2. Remove the **Top Cover**, and **Front Panel**.
3. Disconnect all wiring to the gas valve and ignitor.
4. Remove the 2 Phillips head screws that hold the gas valve to the elbow coupling.
5. Remove the 2 Phillips screws that hold the gas valve assembly to the dryer base.

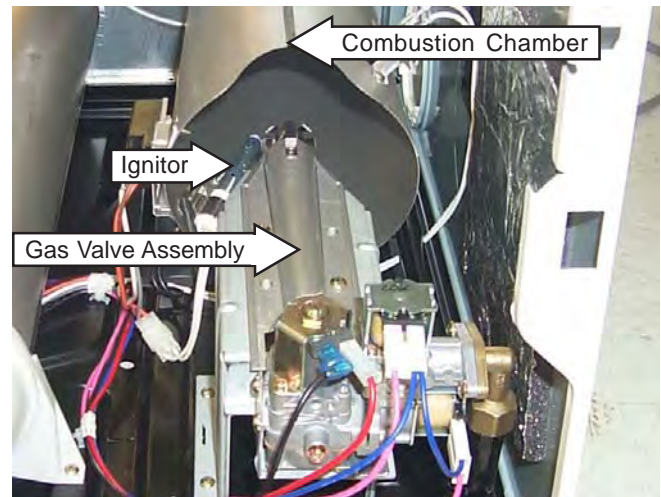


6. Slide the gas valve assembly out through the front of the dryer cavity.
7. Remove the 3 Phillips head screws that secure the gas valve to the mounting assembly. Remove the gas valve.



#### Ignitor

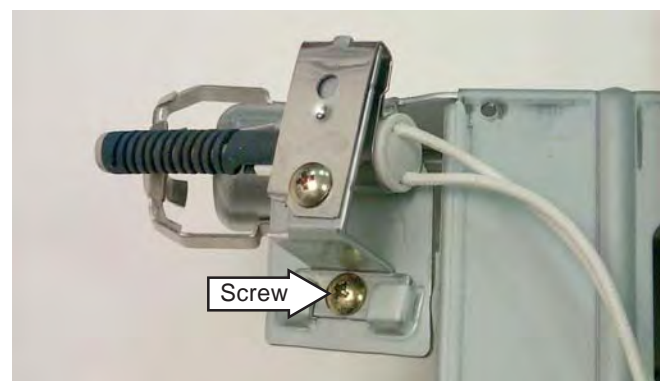
The ignitor is located at the end of the gas valve assembly in the combustion chamber opening. Resistance across the ignitor is approximately 300 to 500  $\Omega$ .



#### To remove the ignitor:

1. Shut off the gas and electricity to the dryer.
2. Remove the **Top Cover**, **Front Panel**, and **Drum**.
3. Using a short Phillips screwdriver, remove the screw that holds the ignitor to the assembly. Remove the ignitor.

**Note:** There is a cutout on the edge of the combustion chamber to allow access to the screw.



## Ignitor and Flame Detector

- When the electronic control calls for heat, 120 VAC is supplied to the ignitor.
- The flame detector, which is in series with the ignitor, is closed.
- When the ignitor reaches a high enough temperature, the flame detector opens.
- The electronic control senses the opening of the detector and energizes the gas valves.

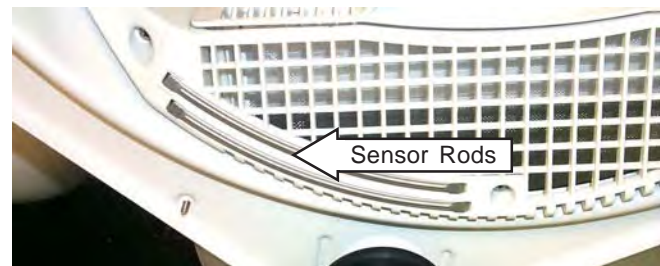
### Testing the Ignitor and Flame Detector Circuit

1. Place the dryer in **Factory Test Mode:**
  - a. Press HOME, then HELP.
  - b. Press and hold the HELP and START/STOP pads simultaneously for 3 seconds.
2. Press START/STOP to begin the test.
  - The FLAME SENSOR test will display whether the detector is open or closed.
  - In the OFF position, the flame detector is closed (room temperature/low heat). In the ON position, the flame detector is open (hot).

## Moisture Sensor

The moisture-sensing circuit consists of two sensor rods mounted in the drum front beneath the lint filter opening.

- The sensor rods are connected to the main control board. The rods are spaced about  $\frac{1}{2}$  in. apart, which creates an open circuit to the control.
- The control board utilizes a low-voltage capacitor that charges to approximately 5 VDC when the circuit is open and discharges to less than 1 VDC when the circuit is shorted.
- When wet clothes tumble across the two rods, the clothes create a very low resistance between the rods, which discharges the capacitor.
- As the clothes become dry, their resistance value increases and the charge across the capacitor builds to approximately 5 VDC.



**Note:** Proper leveling of the dryer is vital for accurate sensor drying. Excessive rearward adjustment will cause clothes to tumble toward the rear of the drum, preventing contact with the sensor rods, thus producing a false dryness reading.

### Testing the Moisture Sensor Circuit

1. Place the dryer in **Factory Test Mode:**
  - a. Press HOME, then HELP.
  - b. Press and hold the HELP and START/STOP pads simultaneously for 3 seconds.

A dry sensor rod circuit should display a voltage of 4.75 VAC or higher under MOISTURE(S) test.

2. Wet a cloth and place it across the sensor rods. The display voltage should drop to 1.0 VAC or less if the circuit is working correctly.

# Field Service Mode

## Overview

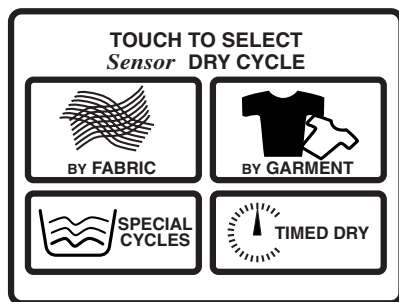
The dryer control has a field service mode that can be accessed by the service technician in order to give critical information on the status of various components of the dryer. This mode will aid the service technician in quickly identifying failed or improper operation of components and systems.

The service mode does not use error codes to identify problems. Instead, the LCD screen displays a list of components or systems to be checked if a problem is detected.

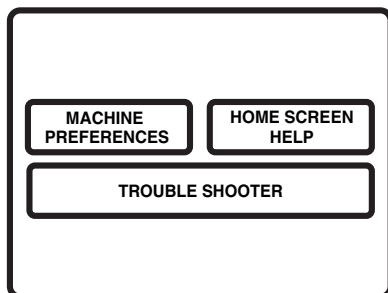
### To enter the service mode:

**Note:** Once the service mode is entered all membrane keypad buttons are disabled.

1. Press the POWER key to turn the dryer on.
  - a. If the dryer is on and the home screen is displayed, proceed to step 2. If the home screen is not displayed, press HOME on the keypad.

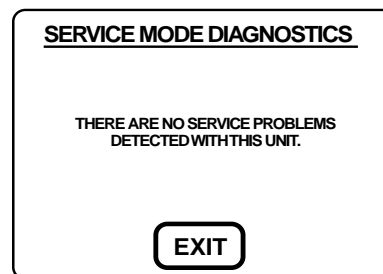


2. Press HELP. The main help screen is displayed.

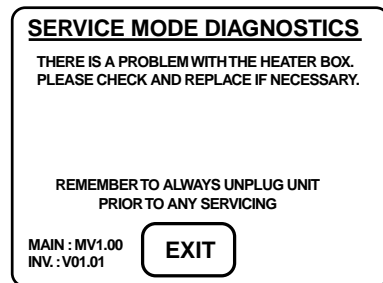


3. Press and hold MY CYCLES and BACK simultaneously for 3 seconds:

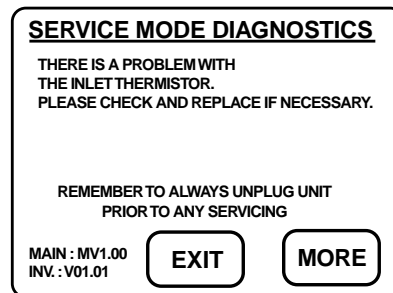
- The control will display any recorded errors. If no errors have been recorded, press EXIT to return to the HOME screen.



4. If errors have been recorded, use the error chart in the **Troubleshooting** for proper diagnostic procedures.



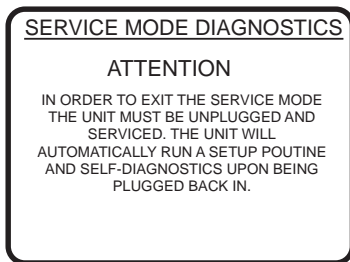
- A MORE icon will be displayed on the LCD screen if additional problems have been recorded. Press MORE to list additional errors.



- Use the BACK pad on the keypad membrane to scroll back through the list. If MORE is not displayed, then there are no additional errors.

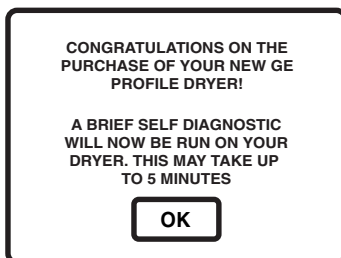
(Continued next page)

5. If errors have been recorded, the following steps **MUST** be performed.
  - a. Make a note of the listed errors. Press EXIT; the screen prompts you to unplug the dryer before servicing.



**Note:** Pressing EXIT clears all error messages and activates the setup mode program.

- b. Disconnect power and make necessary repairs.
- c. After the problem has been identified in service mode and repairs have been made, the unit prompts the service technician to run a setup/self diagnostic check. The self diagnostic check consists of a series of system tests to ensure the dryer is operating correctly. Follow the on-screen instructions.

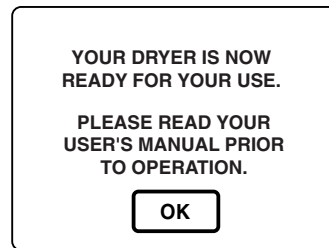


**List of self diagnostic checks:**

- Door
- Touch screen
- Beeper
- Keypanel Buttons
- Sensors
- Heating System
- Motors
- Serial Communication Link

**IMPORTANT:** Always disconnect power, reconnect power and run the setup/self diagnostic mode prior to leaving the house. If this process is not completed and a power outage should occur, the setup/self diagnostic mode screen will be displayed for the customer. This may generate a second service call when no problem exists.

- d. When all errors have been corrected and the setup/self diagnostic mode has been completed, the dryer displays the following screen.

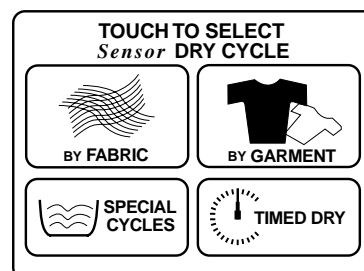


- e. Press OK to return the dryer to normal operation.

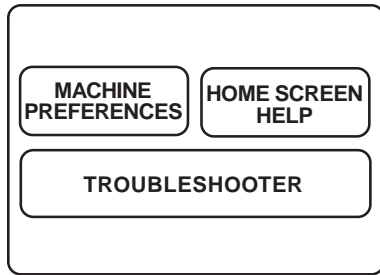
**Factory Test Mode**

The factory test mode allows the service technician to view critical tests on dryer components. The tests are automatic and start as soon as the test screen is displayed.

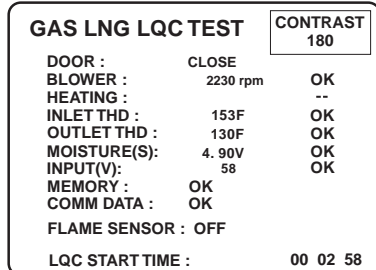
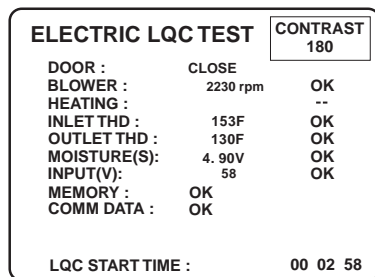
- If an error is detected, NG appears on the LCD screen.
  - If no errors are detected, OK appears on the LCD screen.
1. Press the POWER pad to turn the dryer on. Press the HOME pad to ensure the home screen is displayed.



- Press the HELP pad. The main help screen is displayed.



- Press and hold the HELP and START/STOP pads simultaneously for 3 seconds. One of the following screens will be displayed.



- To exit the factory test mode, press POWER or unplug the dryer.

### Factory Test Information

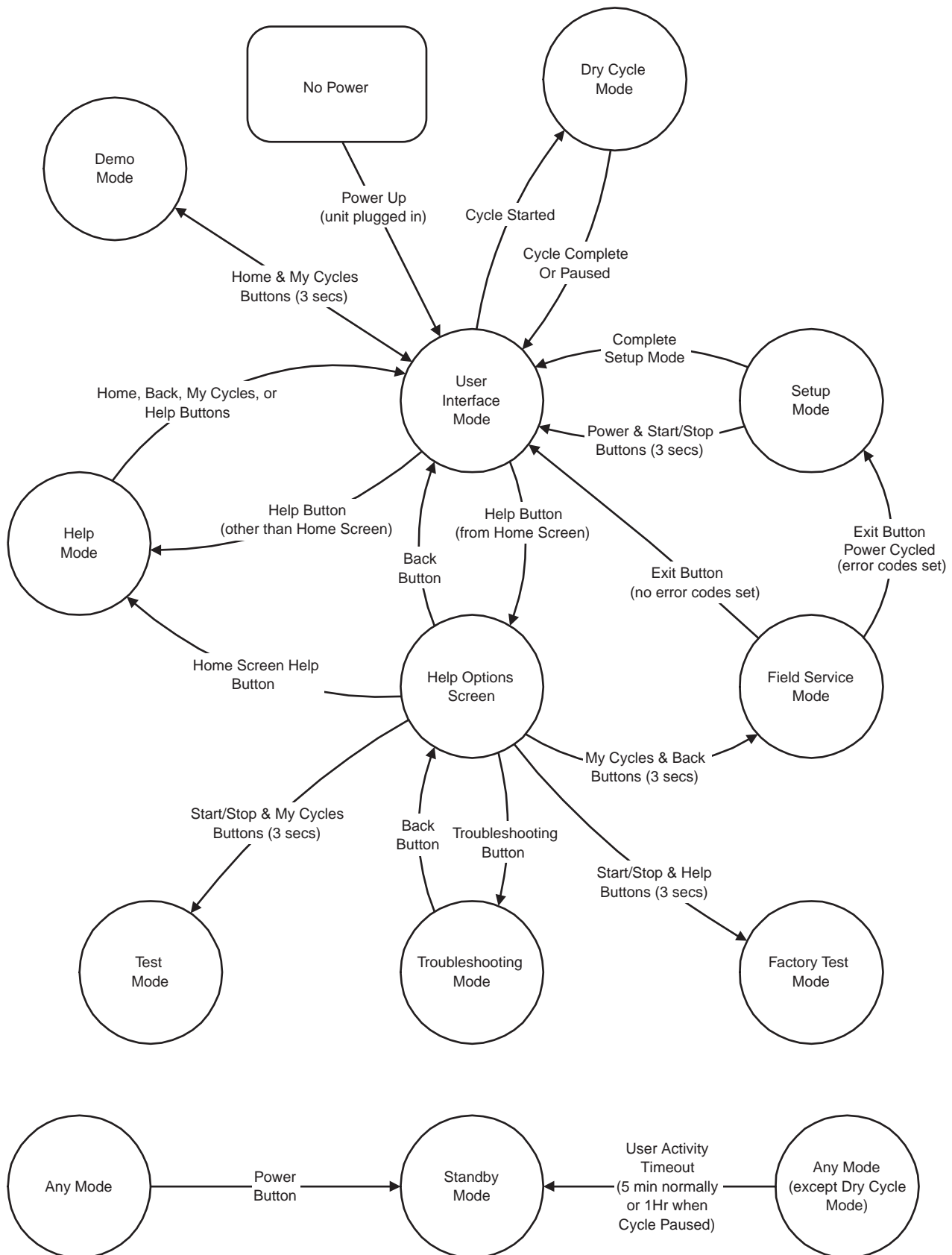
- CONTRAST 90/180 - Displays current screen resolution of 90 or 180. This can be changed by pressing the CONTRAST box on the LCD screen.
  - 180 - High Contrast (dark)
  - 90 - Low Contrast (light)
- DOOR - The control senses the door position through the door switch. LCD displays OPEN or CLOSED depending on door position.

- BLOWER - Displays blower RPM. Speed ramps up until minimum rpm is reached, at which time OK is displayed on LCD. Normal blower speed will vary (1100 - 2700 rpm) depending on installation and venting conditions.
- HEATING - Control senses an increase in temperature using the inlet thermistor. Displays OK once the required temperature is met (approximately 2 minutes after starting test).
- INLET THD - Displays inlet thermistor temperature in °F.

**Note:** Control is not capable of displaying temperature below 152°F. (Room temperature will display as 152°F)

- OUTLET THD - Displays outlet thermistor temperature in °F.
- MOISTURE - Displays sensor signal monitored by control. The higher the moisture content, the lower the voltage. Voltage will vary from less than 1 volt to approximately 5 volts.
- INPUT - Factory test only, no value as a service test.
- MEMORY - Self-test for control.
- COM TEST - Part of a serial communication test between the washer and dryer. This test runs a self diagnostic of the internal communications within the main board.
- FLAME SENSOR - Displays ON or OFF, depending on sensor temperature.
  - OFF - sensor closed - no heat
  - ON - sensor open - hot

# Control Quick Reference Chart



# Troubleshooting

Problem	Possible Cause and Repair
<p>LCD backlight does not come on.</p>	<p>The backlight connection on the main board may not be secure. Check the connection to make sure it is secure.</p>
<p>Vertical lines on the LCD display when the dryer is turned on.</p>	<p>Re-seat LCD ribbon cable at connector CN6 on the main board. If necessary, a piece of scotch tape may be added to the back of the ribbon. This additional thickness will provide better contact for the ribbon terminals.</p>
<div data-bbox="332 640 738 945" data-label="Image"> </div>	
<p>LCD screen too dark or too light as compared to LCD washer screen.</p>	<p>LCD refresh rate can be changed in <b>Factory Test Mode</b>. (See Contrast setting.)</p>
<p>Replacement LCD screen too dark or too light. LCD refresh rate is matched to inverter output at the manufacturer.</p>	<p>Can occur when LCD screen is replaced. New LCD screen must also be set to inverter output. Adjust the refresh rate through the <b>Factory Test Mode</b>. (See contrast setting.)</p>
<p>Touch screen pad activates an adjacent function incorrectly, i.e. pressing one pad activates a function of another pad.</p>	<p>The LCD display ribbon connection on the main board may not be secure. Check the connection to make sure it is secure.</p>
<p>Checkerboard pattern in MY CYCLES screen.</p>	<p>Electrostatic discharge on main board. Enter MY CYCLES and press DELETE on the touch screen LCD; this will clear the checkerboard pattern.</p>
<p>Scuff marks on the plastic backspash or cover (Platinum models).</p>	<p>Can be removed by appliance polish, part no. WR97X216, or a high quality of automotive paste wax.</p>

## Troubleshooting Charts

PROBLEM	POTENTIAL CAUSE	DIAGNOSTIC PROCEDURE	ACTION
Long Dry Time Dryer Heating	Restricted ducting	Check blower speed in Factory Test Mode with no clothes load. If blower speed is higher than 2700 rpm - ducting is abnormally restricted and will cause longer dry times	Check for kinked transition duct. Inform owner of clogged ducting.
	Lint filter/trap not cleaned	Check filter and lint trap	Clean accumulated lint.
	Washer not spinning out normally	See washer troubleshooting	Washer service guide 31-9103
	Washer additional capacity/overloading	Inquire about consumer's laundry habits. Harmony washer has about 30% more capacity than other washers with agitators. If loaded to capacity, may result in longer dry times.	Advise consumer of additional washer capacity and effects on dry time.
	Dryer operating at half-heat	See Long Dry Time/Dryer Not Heating	
Long Dry Time Dryer Not Heating	Heater error (electric)	Check service mode for heater error.	If heater error is displayed, proceed with diagnostic procedures in the order below.
	House wiring problem	Verify voltage on L2	If voltage is 0 (zero), check breaker/fuses.
	Fixed Wattage Heater system failure (electric)	Open backsplash, while in Factory Test Mode, measure current through orange wire on inverter connector #17, current should be at least 12A when heater should be on. If current is 0A (zero amps), check: 1) Check continuity of wiring 2) Hi-Limit and Outlet thermostat continuity 3) Check heater coil resistance (about 17 ohms each coil) 4) Check centrifugal switch function	1) Check wiring and connections or 2) Replace appropriate thermostat or 3) Replace heater assembly or 4) Replace motor or 5) Replace inverter board if checks 1-4 are False.
	Variable wattage Heater system failure (electric)	1) Open backsplash, enter Factory Test Mode and measure current through L2 (red wire) near terminal block - should be at least 24A at 240V when heater should be on. 2) Check heater coil resistance (about 17 ohms each coil) 3) Check continuity of wiring	1) If Fixed Wattage Heater checks are OK, and Current through L2 is less than 24A, then replace Triac Board or 2) Replace heater or 3) Repair wiring/terminals
	Centrifugal switch failure	Check centrifugal switch continuity in open and closed state, according to the terminals shown on the mini-manual.	Replace drum motor.
	Thermistor failure	Check room-temperature resistance of thermistor. Outlet thermistor resistance range is approximately 10K (10,000) ohms at 77F (25C) and inlet thermistor range is 227K (227,000) ohms at 77F (25C)	Replace thermistor.



<b>PROBLEM</b>	<b>POTENTIAL CAUSE</b>	<b>DIAGNOSTIC PROCEDURE</b>	<b>ACTION</b>
Long Dry Time Dryer Not Heating continued	Heater error (Gas)	Check service mode for heater error.	If heater error is displayed, proceed with diagnostic procedures in the order below.
	Low line voltage	Line voltage must be greater than 96V. Software will not allow gas valves to operate below 96VAC.	Inform owner of low line voltage.
	No gas supply	Check gas valve and pressure.	Open valve. Inform consumer of no gas pressure.
	Ignitor failure	With front panel removed and door switch reconnected, start a cycle and check for ignitor glow. If ignitor doesn't glow, check ignitor resistance at the ignitor connector (100 - 500 Ohms).	Replace ignitor
	Flame detector failure.	With front panel removed and door switch reconnected, start a cycle and check that ignitor turns on/off.	Replace flame detector.
	ON/OFF gas valve failure	Check resistance of ON - OFF valves (1800 - 1900) ohms.	Replace valve assembly.
	Linear Gas Valve Failure	Check resistance of linear valve (60 - 70) ohms.	Replace valve assembly.
	Thermostat failed open	Check continuity of Outlet and Hi-Limit thermostats.	Replace appropriate thermostat.
	Centrifugal switch failure	Check centrifugal switch continuity in open and closed state, according to the terminals shown on the mini-manual.	Replace drum motor.
	Thermistor failure	Check room-temperature resistance of thermistor. Outlet thermistor resistance range is 10K+-3% @ 25C, inlet thermistor range is 2.27K +- 5%.	Replace thermistor.
Won't Start - controls dead	Low L1 voltage	Check L1 voltage at outlet.	If zero (0), check circuit breaker or fuses. If below 30V, the controls will not operate. Tell consumer to call electrician.
	Tripped safety thermostat	Check safety thermostat continuity	Reset or replace if necessary.
	Defective main control board	Check service mode	Replace control board
	Defective inverter board	Check service mode	Replace inverter board
	Broken Belt	Remove front panel. Check belt.	Replace belt.
Won't start - controls OK	Open winding on drum motor	Check resistance of start and run windings. Should be approximately 7.2 Ohms for start winding and 3.1 Ohms for run winding.	Replace drum motor
	Door switch failure (door open)	Check if switch is connected. Check if lamp works. Check if dryer runs with door open.	Connect or replace door switch.
	Centrifugal switch failure	Check centrifugal switch continuity in open and closed state, according to the terminals shown on the mini-manual.	Replace drum motor.

<b>PROBLEM</b>	<b>POTENTIAL CAUSE</b>	<b>DIAGNOSTIC PROCEDURE</b>	<b>ACTION</b>
Dryer stopped prematurely (clothes wet)	Clogged/restricted ducting.	Check Service Mode for blower errors. Unit will stop if blower exceeds 3000 rpm for 1 minute. Check for kinked transition duct or clogged ducting.	Inform owner of clogged ducting.
	Blower motor less than 1000 rpm	In Factory Test Mode, check blower rpm (1900 - 3000 rpm).	Replace blower motor. If problem is not resolved, replace inverter board.
	Unlevel	Clothes not in contact with moisture sensor.	Level unit. Check front to back and side to side level.
	Power outage	No diagnostic available. Check digital clocks in household.	Restart unit.
	Moisture sensor unplugged/defective	In Factory Test Mode, operate dryer with no load. Sensor should be approximately 4.9 volts. Then place a wet cloth across sensor. Voltage should drop to less than 1 volt.	Reconnect or replace sensor as necessary.
Noise	Worn rollers	Check for flat spots or grooves worn on rollers.	Replace roller.
	Worn drum felt	Remove drum, check condition of felt.	Replace drum.
	Blower unbalance.	Check blower wheel for lint accumulation that may cause blower unbalance.	Clean blower wheel.
	Drum out of round	Measure roundness of drum. Maximum diameter difference should be less than 1/4".	Replace drum.
	Drum felt glue on roller path	Check for glue on roller path.	Remove glue.
	Loose parts.	Check for missing screws and loose motor mounts.	Replace screws or motor mounts.
	Object in blower/trap duct.	Remove trap duct to inspect for foreign objects.	Clean unit.
Dryer loses washer settings	Dryer operation attempted more than 1 hr after washer transmittal of settings.	Dryer does not retain settings for more than 1 hr after transmittal.	Inform consumer of dryer time-out.

## Error Charts

PROBLEM	ERROR DISPLAYED FOR CUSTOMER	ERROR DISPLAYED IN SERVICE MODE	POSSIBLE CAUSE(S)	POSSIBLE REPAIR REQUIRED
Flash ROM EEPROM	No error displayed. Dryer will continue to operate normally unless checksum errors are found on parameters critical to safe operation of the unit. Standard problem screen will be displayed if unsafe condition exists.	Screen will display " <b>FLASH ROM is reading or writing improperly</b> "	Checksum errors have been found. Data is not being stored correctly in control.	1.) Main control board
Inlet Thermistor	No error displayed. Dryer will default to controlling temperature using the inlet thermostat and cycling the heater on and off.	Screen will display " <b>There is a problem with the inlet thermistor. Please check and replace if necessary</b> "	Thermistor reading is out of expected range.	1.) Check wiring connections between inlet thermistor and inverter board or 2.) Inlet thermistor or 3.) Inverter board
Outlet Thermistor	No error displayed. Heater will be limited to 60% of maximum power.	Screen will display " <b>There is a problem with the outlet thermistor. Please check and replace if necessary</b> "	Thermistor reading is out of expected range.	1.) Check wiring connections between outlet thermistor and inverter board or 2.) Outlet thermistor or 3.) Inverter board
Moisture Sensor	No error displayed. Dryer will operate using timed drying for all cycles.	Screen will display " <b>There is a problem with the moisture sensor. Please check and replace if necessary</b> "	Control has determined the moisture sensor rods are shorted.	1.) Check wiring connections between moisture sensor and inverter board or 2.) Moisture sensor or 3.) Inverter board
Heater	No error displayed. Dryer will operate using Air Dry for all cycles.	Screen will display " <b>There is a problem with the heater. Please check and replace if necessary</b> "	After each of the thermistors have been checked and no heating is detected by either thermistor, even though the control turned the heater on, the error will be displayed.	1.) Check wiring connections or 2.) Heater or 3.) Thermostats or 4.) Inverter board

PROBLEM	ERROR DISPLAYED FOR CUSTOMER	ERROR DISPLAYED IN SERVICE MODE	POSSIBLE CAUSE(S)	POSSIBLE REPAIR REQUIRED
Keypad Membrane	No error displayed. Unit will continue to operate normally.	Screen will display " <b>There is a problem with the membrane. Please check and replace if necessary</b> "	Control sensed a keypad membrane pad pressed for longer than 30 seconds.	1.) Wiring connections or 2.) Keypad membrane
LCD Display Touchscreen	No error displayed. Unit will continue to operate normally.	Screen will display " <b>There is a problem with the touchscreen. Please check and replace if necessary</b> "	Control sensed an LCD display touchscreen input for longer than 30 seconds.	1.) Wiring connections or 2.) LCD display touchscreen
Serial Washer and Dryer Connection	No error displayed. Unit will continue to operate normally.	Screen will display " <b>Serial communication link between washer and dryer is down. Please check for proper connection, the dryer is plugged in, or board input/output signals</b> "	The washer sends a signal back to the dryer acknowledging receipt of information. An error is set if the dryer has not received a proper response from the washer after 3 attempts.	1.) Check options to ensure communications feature is selected or 2.) Wiring connections or 3.) Serial cable or 4.) Internal washer or dryer cable or 5.) Main control board
Door Switch Stuck Closed	The display will ask the user to " <b>Please open the door</b> " If the door is detected to have opened, the error will be cleared. If not, the error flag is set and the dryer will not operate.	Screen will display " <b>There is a problem with the door switch. Please check and replace if necessary</b> "	An attempt has been made to start a cycle after 3 or more consecutive cycles without the dryer detecting the door has been opened.	1.) Wiring connections or 2.) Door switch or 3.) Inverter board
Door Switch Stuck Open	The display will ask the user to " <b>Please close the door</b> " Operation will not start until the dryer detects the door has been closed.	Screen will display " <b>There is a problem with the door switch. Please check and replace if necessary</b> "	The dryer did not detect the door was closed within 5 minutes of displaying "Please close the door"	1.) Wiring connections or 2.) Door switch or 3.) Inverter board

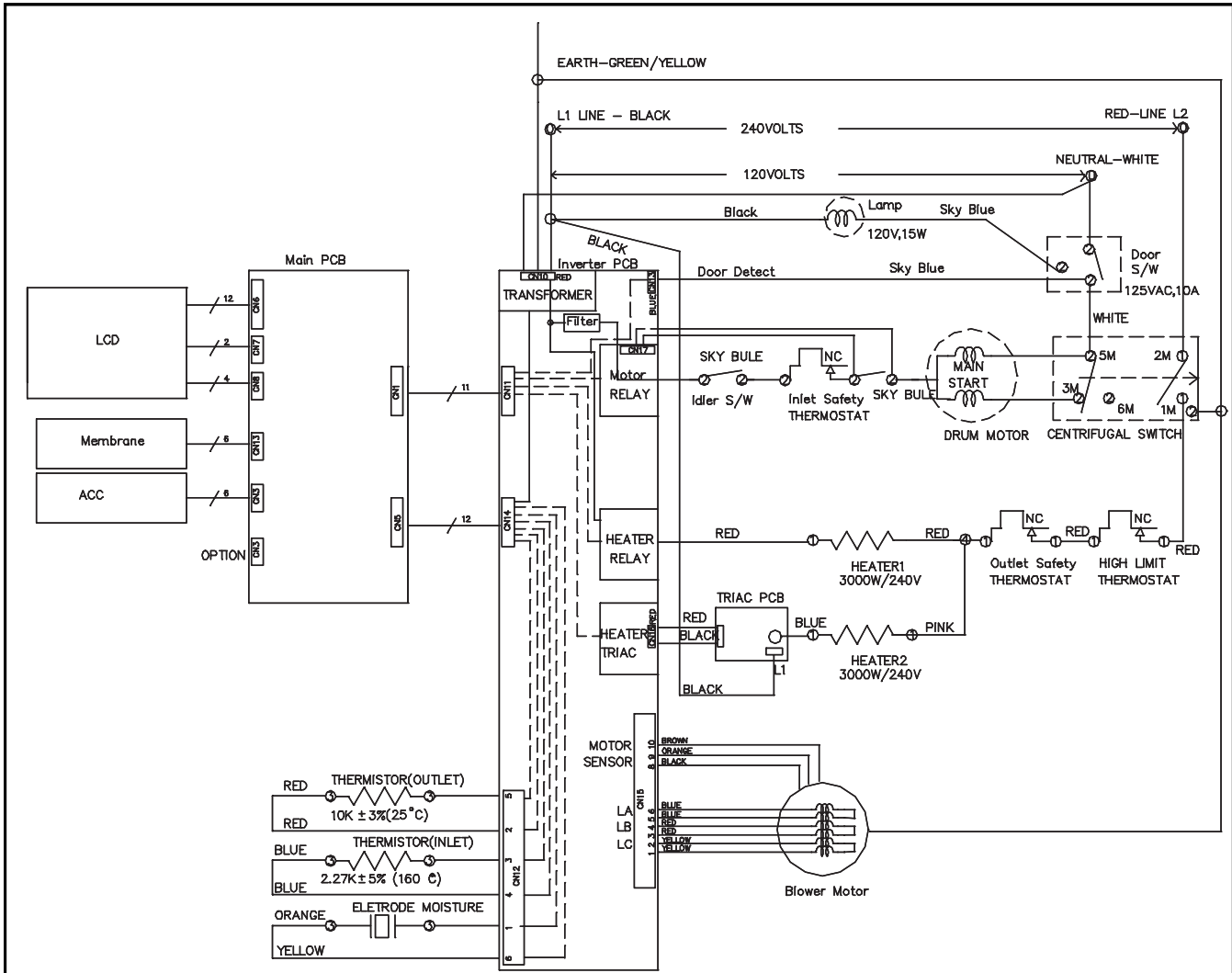
PROBLEM	ERROR DISPLAYED FOR CUSTOMER	ERROR DISPLAYED IN SERVICE MODE	POSSIBLE CAUSE(S)	POSSIBLE REPAIR REQUIRED
Blower not speeding up	No error displayed. Dryer will operate using Air Dry for all cycles.	Screen will display " <b>The blower is not getting up to speed. Please check the blower motor and inverter and replace if necessary</b> "	During initial warm-up, the blower failed to reach the minimum speed necessary to turn on the heater.	1.) Wiring connections or 2.) Blower motor or 3.) Inverter board
Blocked Airflow	Screen will display " <b>Notice A problem has been detected with this unit</b> " The dryer will stop operation.	Screen will display " <b>There appears to be an excessive blockage or restriction in the airflow system. Please check the blower, ventilation system and lint filter.</b> "	The blower speed is detected to be at or above 3000 RPM for over 30 seconds.	1.) Lint filter or 2.) Vent ductwork
Flame Detector / Ignitor (gas only)	Screen will display " <b>Notice A problem has been detected with this unit</b> " The dryer will stop operation.	Screen will display " <b>The ignition system is not firing. Please check the ignitor, flame detector, valves and inverter. Replace if necessary.</b> "	Using the feedback signal from the flame detector, the control has detected the flame detector or ignitor is not working properly.	1.) Wiring connections or 2.) Flame detector or ignitor or 3.) Gas valve or 4.) Inverter
Model Connector Failed	Screen will display " <b>Notice A problem has been detected with this unit</b> " The dryer will stop operation.	Screen will display " <b>Please check model connector. It may be missing or the wrong one may be installed.</b> "	The control determined the model connector plug is missing on a gas dryer or a connector was installed on an electric model.	1.) Model connector plug or 2.) Wiring connections
Gas Setup Failed	Screen will display " <b>Notice A problem has been detected with this unit</b> " The dryer will stop operation.	Screen will display " <b>The incorrect gas is being used. Please check the gas orifice and the model connector.</b> "	The control determined the heat level output does not match the model connector plug installed.	1.) Model connector plug or 2.) Gas orifice type or 3.) Gas supply

# Schematics

## Electric Model

**WARNING:** Disconnect electrical power before servicing.

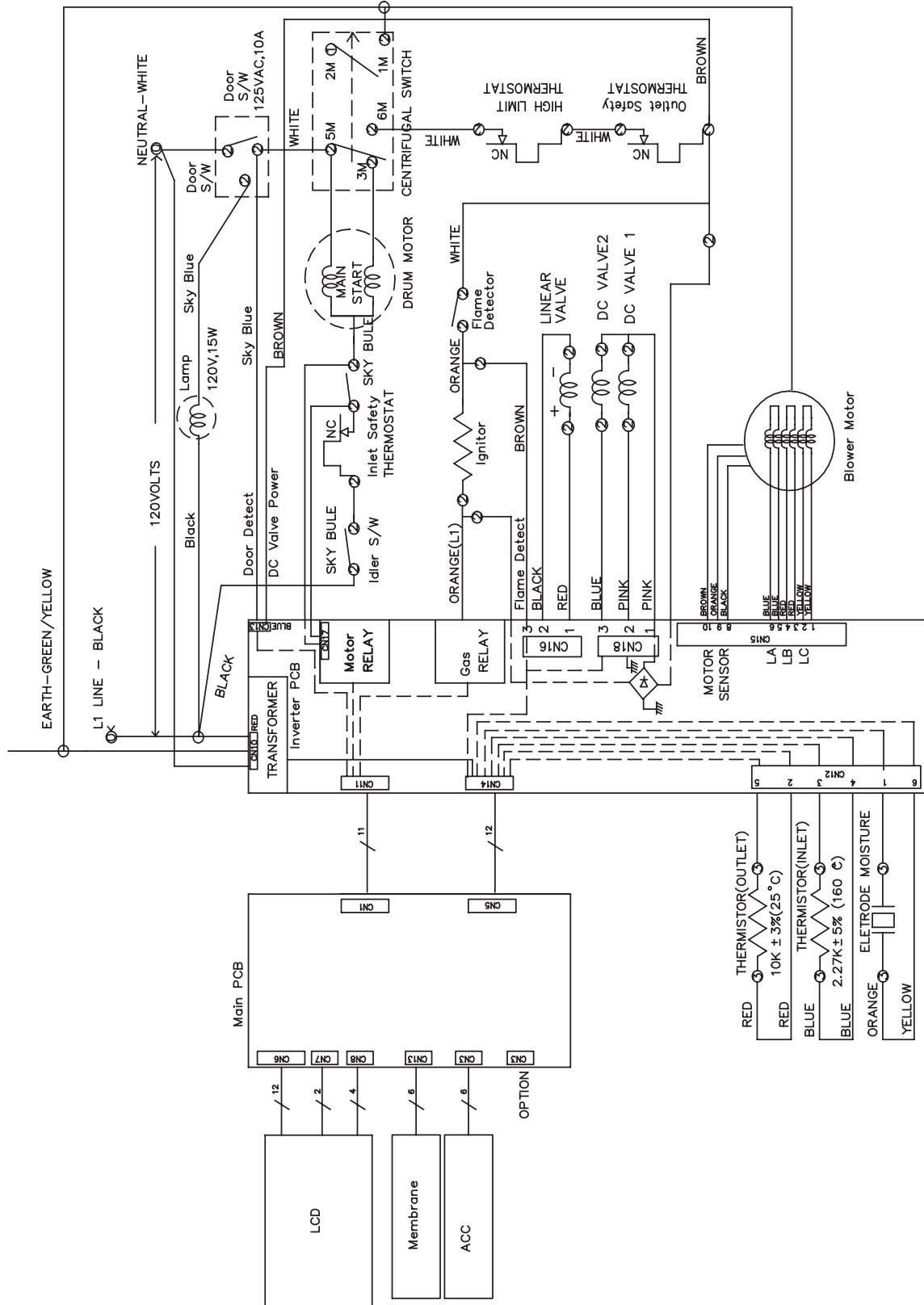
**Caution:** Label all wires prior to disconnection. Wiring errors can cause improper and dangerous operation. Verify operation after servicing.



# Gas Model

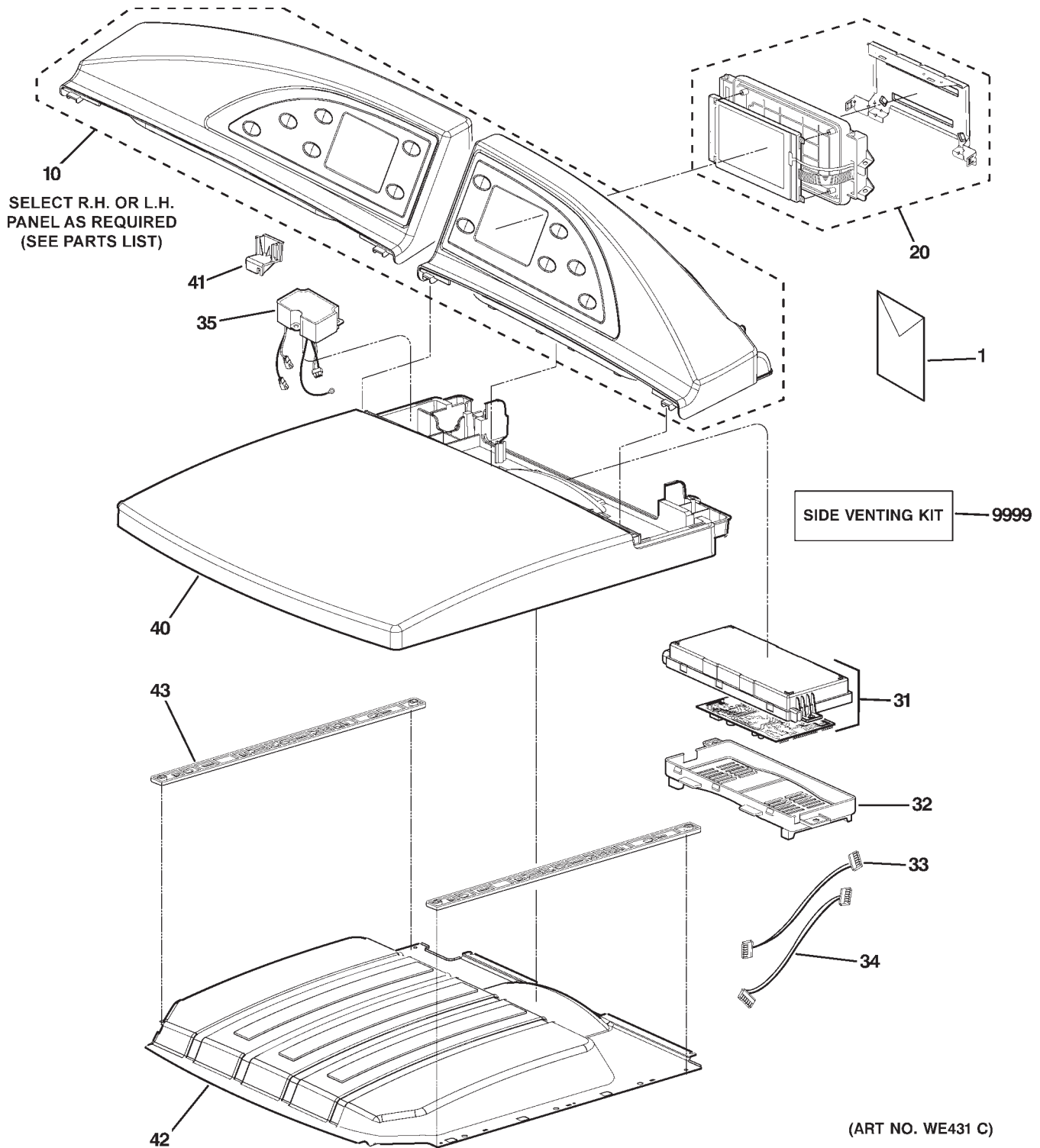
**WARNING:** Disconnect electrical power before servicing.

**Caution:** Label all wires prior to disconnection. Wiring errors can cause improper and dangerous operation. Verify operation after servicing.



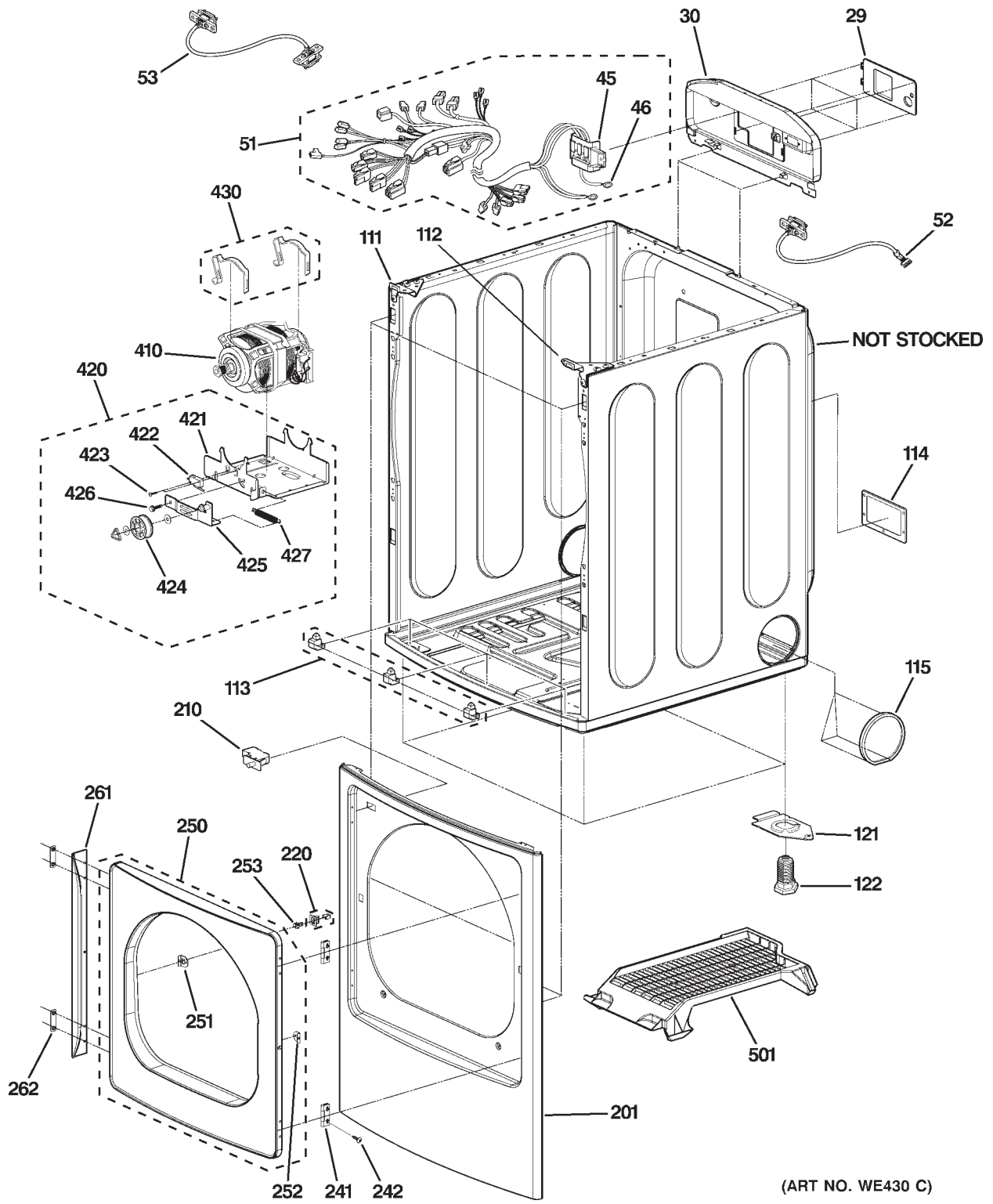
# PARTS

## Electric Model

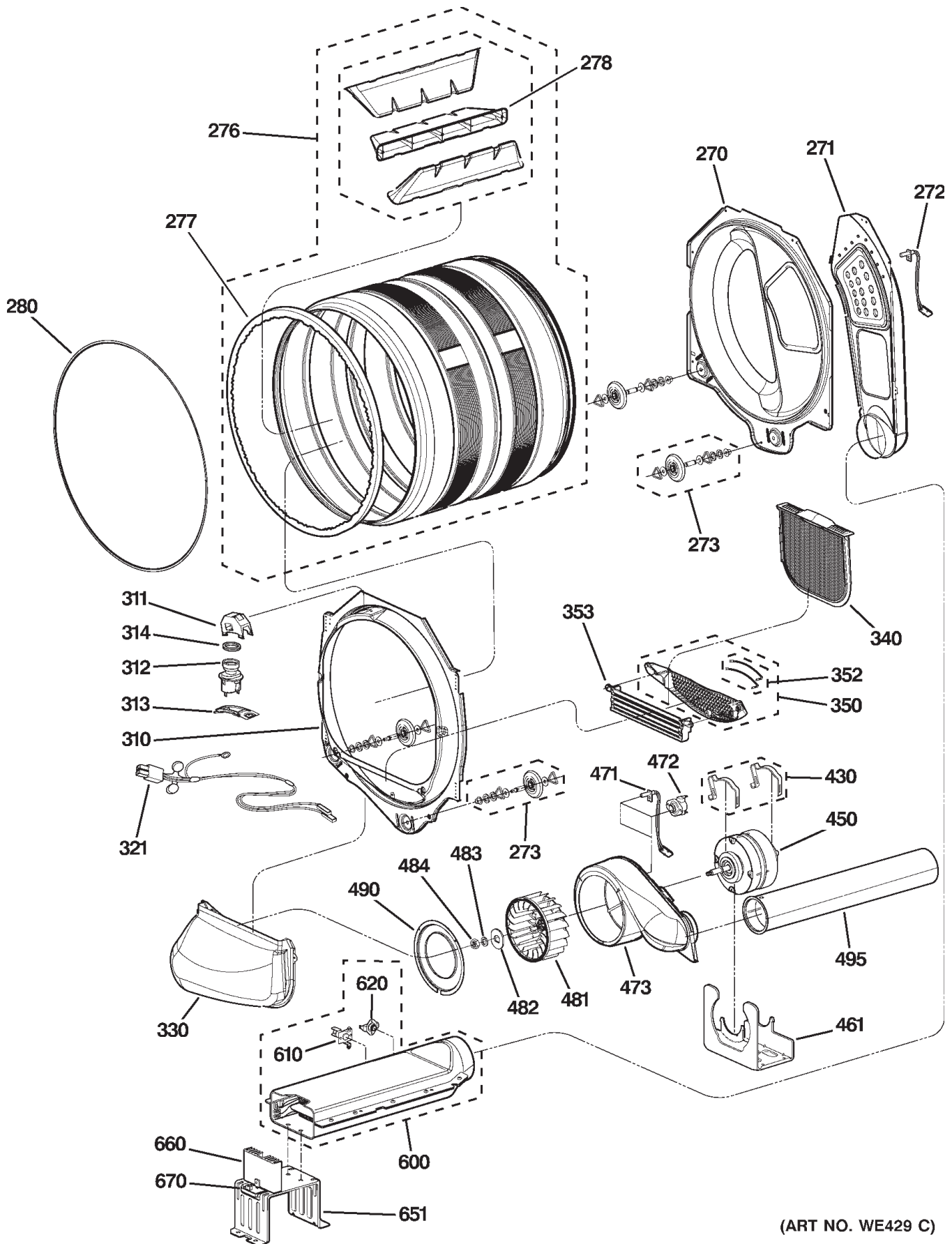




# Electric Model



# Electric Model



(ART NO. WE429 C)

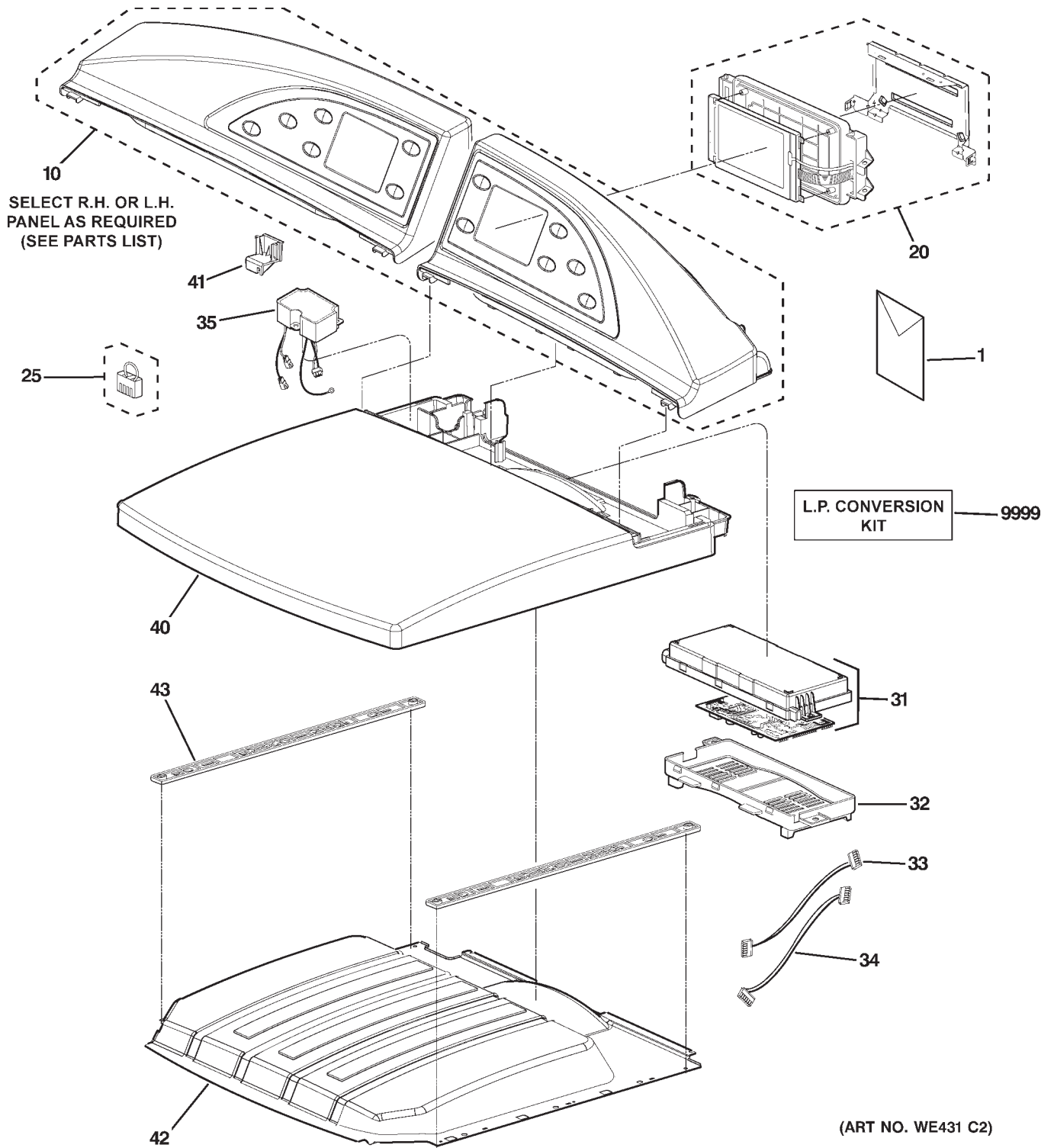
## Electric Model

VIEW NUMBER	CATALOG NUMBER	DESCRIPTION	QUANTITY
1	49-90152	MANUAL USE & CARE	1
1	31-15541	MINI MANUAL	1
10	WH46X10098	CONTROL PANEL ASM WH-LH	1
10	WE19X10072	CONTROL PANEL ASM WH-RH	1
20	WE04X10105	DISPLAY ASM - PWR/LCD	1
29	WE01X10176	COVER, SAFETY	1
30	WE20X10077	BACK PANEL	1
31	WE04X10120	PWB/PCB ASM-MAIN	1
32	WE14X10051	COVER PROTECTOR	1
33	WE08X10057	CONNECTOR ASM 12 PIN	1
34	WE08X10058	CONNECTOR ASM 11 PIN	1
35	WE04X10127	FILTER (CIRC) EMC	1
40	WE20X10079	TOP COVER WH	1
41	WE01X10209	CAP, COVER	1
42	WE14X10052	TOP PLATE ASM	1
43	WE01X10178	BRACKET, TOP PLATE	2
45	WE04X10121	TERMINAL BLOCK ASM	1
46	WE04X10122	GROUND LEAD	1
51	WE08X10063	HARNESS, PWB	1
52	WE08X10060	CABLE ASSEMBLY	1
53	WE08X10061	CABLE ASSEMBLY	1
111	WE01X10179	BRACKET LH	1
112	WE01X10180	BRACKET RH	1
113	WE01X10181	MOUNTING BRACKET	1
114	WE14X10053	CAP, COVER	1
115	WE01X10210	CAP, DRIER WH	2
121	WE01X10183	BRACKET, BASE	4
122	WE02X10059	LEG	4
201	WE20X10080	COVER CABINET WH	1
210	WE04X10110	SWITCH ASM, DOOR	1
220	WE01X10184	LATCH ASSEMBLY	1
241	WE01X10185	HINGE ASSEMBLY	2
242	WE02X10060	SCREW	8
250	WE10X10018	DOOR ASM WH	1
251	WE01X10186	LATCH BODY	1
252	WE01X10187	LATCH BODY	1
253	WE01X10188	LATCH HOOK	1
261	WE01X10189	HANDLE	1
262	WE01X10190	HANDLE BRACKET	2
270	WE14X10054	DRUM BACK	1
271	WE14X10064	DUCT ASSEMBLY	1
272	WE04X10111	THERMISTOR ASSEMBLY	1
273	WE03X10008	ROLLER ASSEMBLY	4

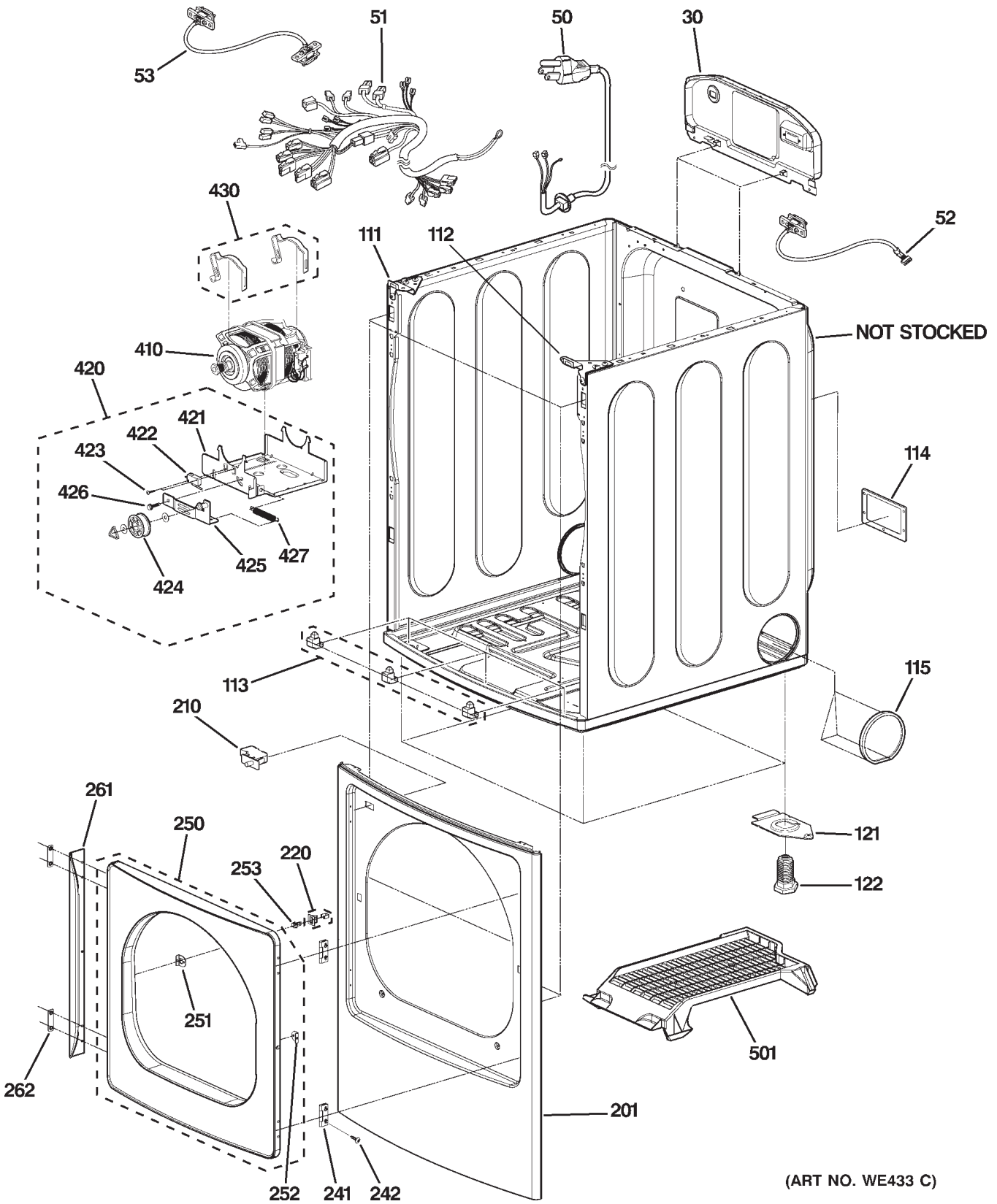
## Electric Model

VIEW NUMBER	CATALOG NUMBER	DESCRIPTION	QUANTITY
276	WE21X10015	DRUM ASM	1
277	WE09X10015	SEAL	1
278	WE14X10056	LIFTER	3
280	WE12X10011	BELT	1
310	WE14X10057	DRUM FRONT	1
311	WE01X10191	COVER	1
312	WE04X10112	SOCKET	1
313	WE01X10192	COVER - LAMP	1
314	WE01X10193	GASKET	1
321	WE08X10062	CONNECTOR ASSEMBLY	1
330	WE14X10058	DUCT ASSEMBLY	1
340	WE18X10008	LINT FILTER ASM	1
350	WE18X10009	GUIDE ASM	1
352	WE01X10194	SENSOR ASM	1
353	WE14X10059	GUIDE, FILTER	1
410	WE17X10007	MOTOR ASM - WM	1
420	WE13X10023	BRACKET ASSEMBLY	1
421	WE13X10024	MOTOR BRACKET	1
422	WE04X10113	SWITCH - MICRO	1
423	WE02X10061	SCREW TAPPING - PAN HD	2
424	WE12X10012	PULLEY, IDLE	1
425	WE01X10195	SHAFT ASSEMBLY	1
426	WE02X10062	SCREW	1
427	WE01X10196	SPRING, COIL	1
430	WE01X10197	CLAMP	2
450	WE17X10008	MOTOR ASM - BLOWER	1
461	WE13X10025	BRACKET, MOTOR	1
471	WE04X10114	THERMISTOR ASSEMBLY	1
472	WE04X10123	THERMOSTAT ASSEMBLY	1
473	WE14X10065	BLOWER HOUSING	1
481	WE16X10002	BLOWER WHEEL	1
482	WE02X10063	LOCK WASHER	1
483	WE02X10064	WASHER	1
484	WE02X10065	NUT	1
490	WE14X10061	GUIDE ASSEMBLY	1
495	WE14X10062	DUCT ASSEMBLY	1
501	WE01X10198	RACK	1
600	WE11X10016	HEATER ASSEMBLY	1
610	WE04X10124	THERMOSTAT ASSEMBLY	1
620	WE04X10125	THERMOSTAT ASSEMBLY	1
651	WE01X10208	BRACKET HEATER	1
660	WE11X10017	HEAT SINK	1
670	WE04X10126	PWB ASSEMBLY, POWER	1
9999	WE25X10015	KIT - SIDE VENTING	1

# Gas Model

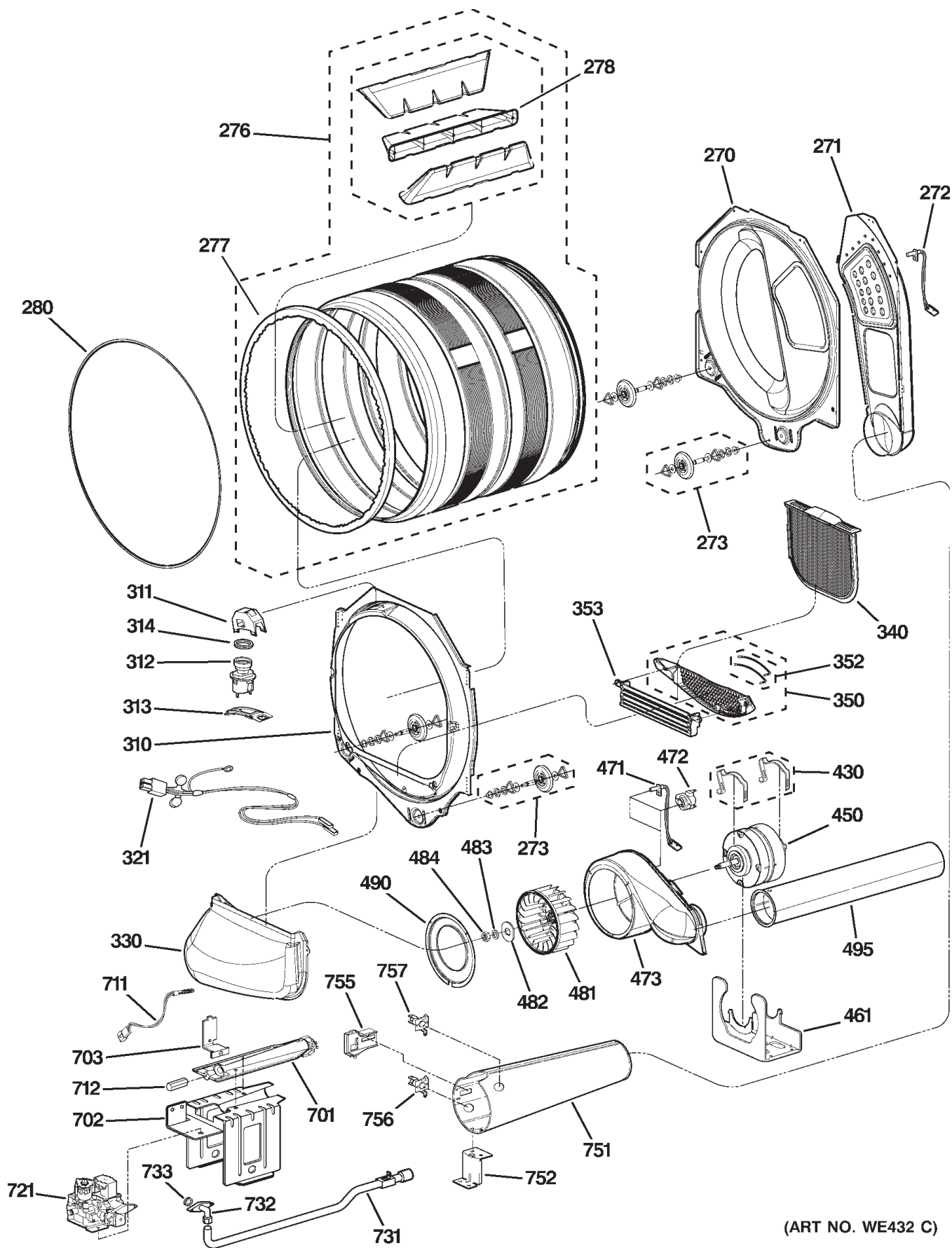


# Gas Model



(ART NO. WE433 C)

# Gas Model



(ART NO. WE432 C)

## Gas Model

VIEW NUMBER	CATALOG NUMBER	DESCRIPTION	QUANTITY
1	49-90152	MANUAL USE & CARE	1
1	31-15541	MINI MANUAL	1
10	WH46X10098	CONTROL PANEL ASM WH-LH	1
10	WE19X10072	CONTROL PANEL ASM WH-RH	1
20	WE04X10105	DISPLAY ASM - PWR/LCD	1
25	WE04X10106	CONNECTOR ASM LNG PIN	1
30	WE20X10078	BACK PANEL	1
31	WE04X10107	PWR/PCB ASM-MAIN	1
32	WE14X10051	COVER PROTECTOR	1
33	WE08X10057	CONNECTOR ASM 12 PIN	1
34	WE08X10058	CONNECTOR ASM 11 PIN	1
35	WE04X10127	FILTER (CIRC) EMC	1
40	WE20X10079	TOP COVER WH	1
41	WE01X10209	CAP, COVER	1
42	WE14X10052	TOP PLATE ASM	1
43	WE01X10178	HARNESS, PWB	2
50	WE08X10064	POWER CORD ASM	1
51	WE08X10063	HARNESS, PWB	1
52	WE08X10060	CABLE ASSEMBLY	1
53	WE08X10061	CABLE ASSEMBLY	1
111	WE01X10179	BRACKET LH	1
112	WE01X10180	BRACKET RH	1
113	WE01X10181	MOUNTING BRACKET	1
114	WE14X10053	CAP, COVER	1
115	WE01X10210	CAP, DRIER WH	2
121	WE01X10183	BRACKET, BASE	4
122	WE02X10059	LEG	4
201	WE20X10080	COVER CABINET WH	1
210	WE04X10110	SWITCH ASM, DOOR	1
220	WE01X10184	LATCH ASSEMBLY	1
241	WE01X10185	HINGE ASSEMBLY	2
242	WE02X10060	SCREW	8
250	WE10X10018	DOOR ASM WH	1
251	WE01X10186	LATCH BODY	1
252	WE01X10187	LATCH BODY	1
253	WE01X10188	LATCH HOOK	1
261	WE01X10189	HANDLE	1
262	WE01X10190	HANDLE BRACKET	2
270	WE14X10054	DRUM BACK	1
271	WE14X10055	DUCT ASSEMBLY	1
272	WE04X10111	THERMISTOR ASSEMBLY	1
273	WE03X10008	ROLLER ASSEMBLY	4
276	WE21X10015	DRUM ASM	1
277	WE09X10015	SEAL	1
278	WE14X10056	LIFTER	3
280	WE12X10011	BELT	1
310	WE14X10057	DRUM FRONT	1



## Gas Model

VIEW NUMBER	CATALOG NUMBER	DESCRIPTION	QUANTITY
311	WE01X10191	COVER	1
312	WE04X10112	SOCKET	1
313	WE01X10192	COVER - LAMP	1
314	WE01X10193	GASKET	1
321	WE08X10062	CONNECTOR ASSEMBLY	1
330	WE14X10058	DUCT ASSEMBLY	1
340	WE18X10008	LINT FILTER ASM	1
350	WE18X10009	GUIDE ASM	1
352	WE01X10194	SENSOR ASM	1
353	WE14X10059	GUIDE, FILTER	1
410	WE17X10007	MOTOR ASM - WM	1
420	WE13X10023	BRACKET ASSEMBLY	1
421	WE13X10024	MOTOR BRACKET	1
422	WE04X10113	SWITCH - MICRO	1
423	WE02X10061	SCREW TAPPING - PAN HD	2
424	WE12X10012	PULLEY, IDLE	1
425	WE01X10195	SHAFT ASSEMBLY	1
426	WE02X10062	SCREW	1
427	WE01X10196	SPRING, COIL	1
430	WE01X10197	CLAMP	2
450	WE17X10008	MOTOR ASM - BLOWER	1
461	WE13X10025	BRACKET, MOTOR	1
471	WE04X10114	THERMISTOR ASSEMBLY	1
472	WE04X10115	THERMOSTAT ASSEMBLY	1
473	WE14X10060	BLOWER HOUSING	1
481	WE16X10002	BLOWER WHEEL	1
482	WE02X10063	LOCK WASHER	1
483	WE02X10064	WASHER	1
484	WE02X10065	NUT	1
490	WE14X10061	GUIDE ASSEMBLY	1
495	WE14X10062	DUCT ASSEMBLY	1
501	WE01X10198	RACK	1
701	WE11X10014	BURNER ASM	1
702	WE11X10015	GUIDE BURNER	1
703	WE01X10199	BRACKET, BASE	1
711	WE04X10116	IGNITOR	1
712	WE01X10200	ORIFICE	1
721	WE01X10201	VALVE ASSEMBLY, GAS	1
731	WE01X10202	PIPE ASSEMBLY	1
732	WE01X10203	CONNECTOR - PIPE	1
733	WE01X10204	SEAL	1
751	WE14X10063	FUNNEL	1
752	WE01X10205	SUPPORTER, HOLDER	1
755	WE04X10117	SENSOR ASSEMBLY	1
756	WE04X10118	THERMOSTAT ASSEMBLY	1
757	WE04X10119	THERMOSTAT ASSEMBLY	1
9999	WE25X10014	KIT - LPG CONVERSION	1
9999	WE25X10015	KIT - SIDE VENTING	1

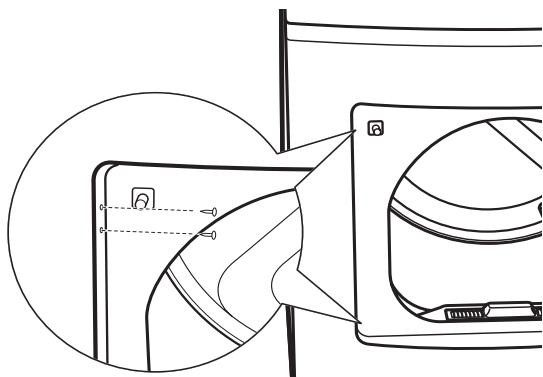
# Reversing the Door Swing

## Overview

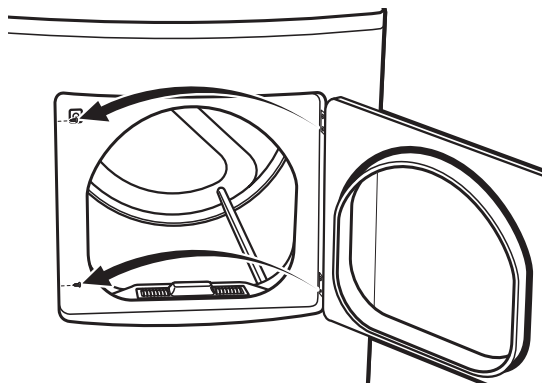
When viewed from the front, the dryer is shipped so the door opens from the left. Due to utility configurations or customer preferences, the door can be set up to open from the right by reversing the door swing.

### To reverse the door swing:

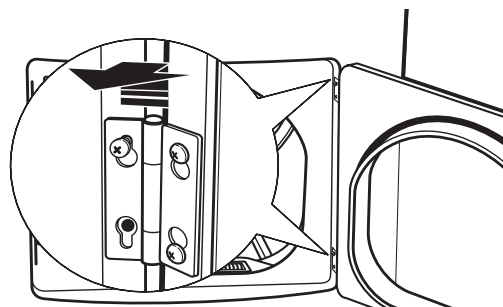
1. Open the dryer door and remove the filler plugs opposite the hinges.



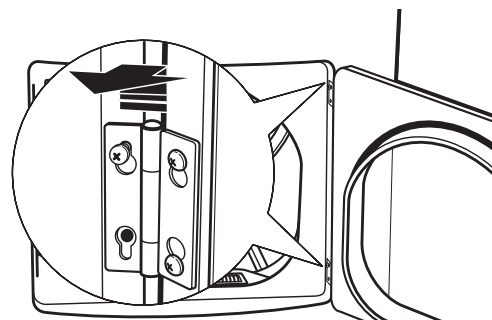
3. With the door completely open, remove the bottom screw from each hinge on the dryer face.
4. Insert the screws about halfway into the TOP holes, for each hinge, on the opposite side (where you removed the filler plugs). Apply firm pressure to get the screw started in new holes.



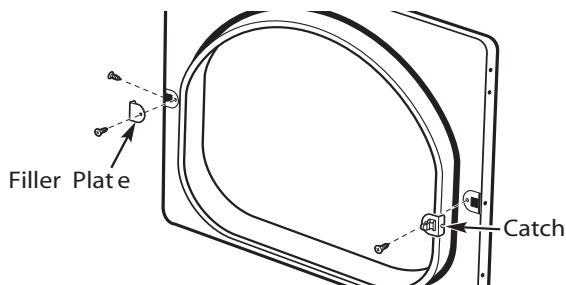
5. Loosen the top screw from each hinge on the dryer face halfway. With one hand holding the top of the door and the other hand holding the bottom, remove the door from the dryer by lifting it **UP** and **OUT**.



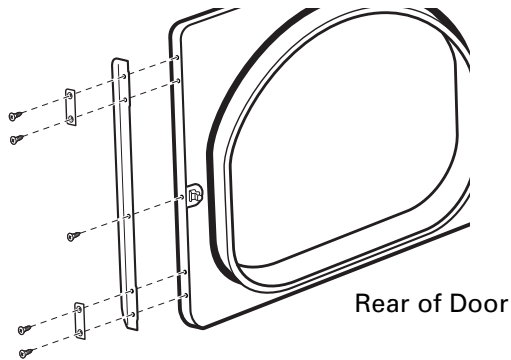
6. Remove the screws holding the handle and the two spacers.



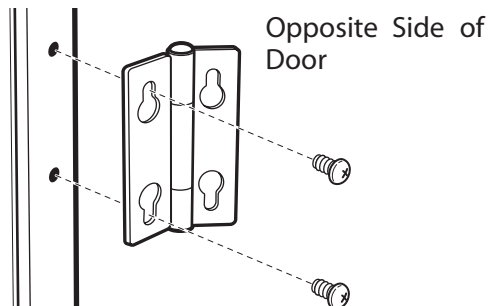
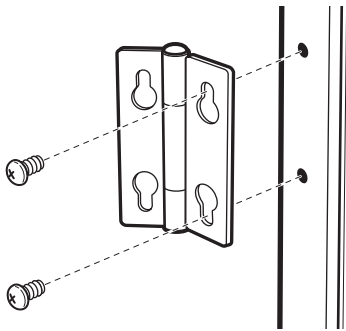
7. Remove the door catch and filler plate.
8. Install the door catch and filler plate on opposite sides of the door.



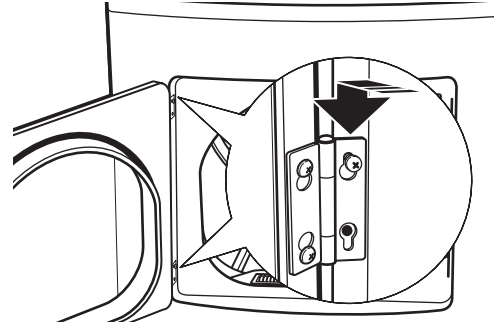
9. Install the handle on the opposite side of the door.



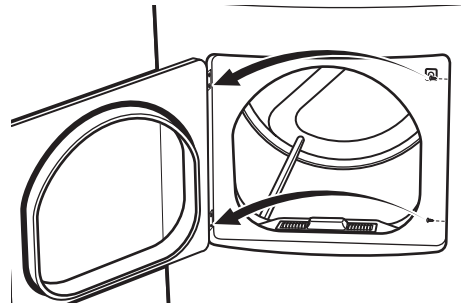
10. Remove the hinges from the door and install them on the opposite side with the hinge pin toward the outside of the door.



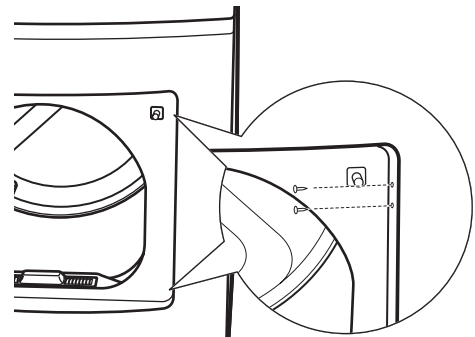
11. Insert the door on the opposite side of the opening by moving the door **IN** and **DOWN** until the top hinge and the bottom hinge are resting on the top screws.



12. Remove the remaining screws from the side of the opening from which the door was removed. With these screws, secure each hinge at the bottom.



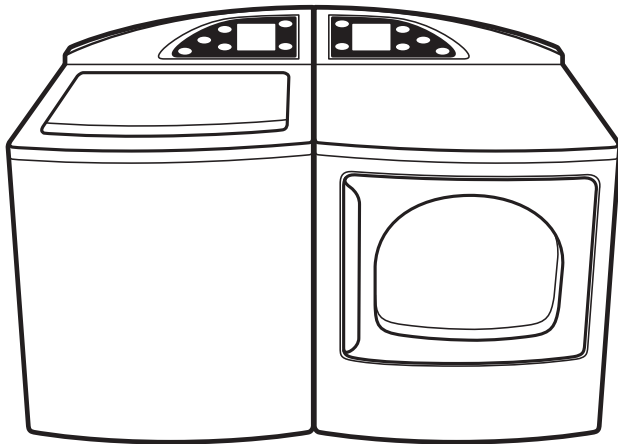
13. Tighten the two top screws of each hinge. Reinsert the plastic plugs on the side from which the door was removed.



# Switching the Washer and Dryer Backsplashes

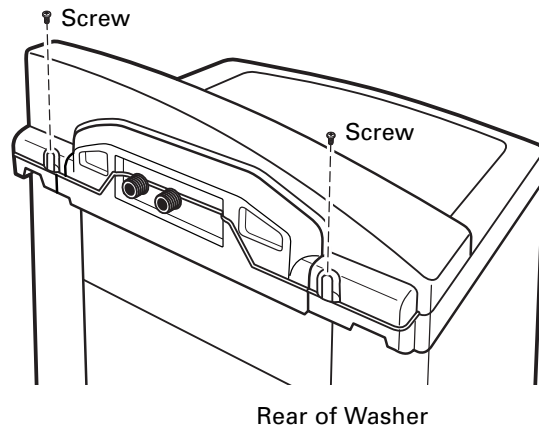
## Overview

When viewed from the front, the washer is shipped for installation on the left and the dryer is shipped for installation on the right. If the hose utility connections are arranged so that the units must be installed with the washer on the right and the dryer on the left, the backsplashes of the washer and dryer can be switched in order to maintain the proper curved appearance.



## To switch the washer and dryer backsplashes:

1. Place a towel over the lid of the washer to prevent scratches to the surface.
2. Remove the 2 screws from the washer backslash.
3. Rotate backslash forward and lift off.

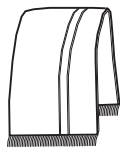


4. Remove the 2 screws holding the backslash to the rear cover. Remove the backslash from the rear cover.

## Tools Needed



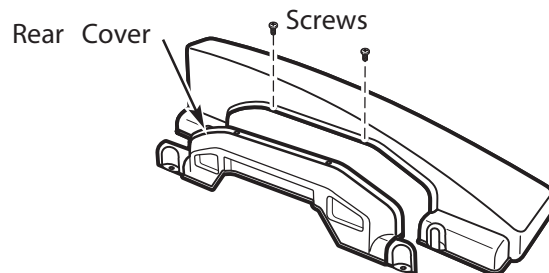
#2 Screwdriver



Towel (2)

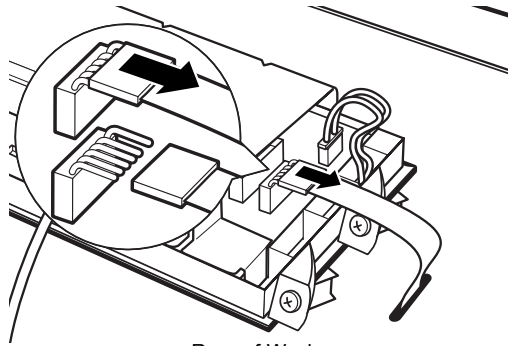
## WARNING!

- Make sure the washer and dryer are unplugged.
- Turn both the home hot and cold water valves to the off position.
- Turn the home gas shut-off valve to the off position (for gas dryer models).



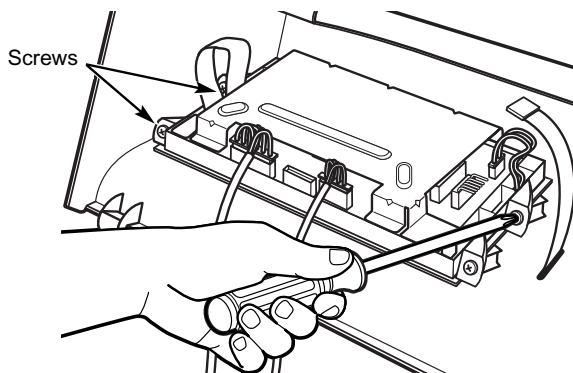
- Disconnect the ribbon at the right of the washer control board by pulling the connector at the end of the ribbon off the metal pins.

**Note:** Do not disconnect any other wires from the washer control board.



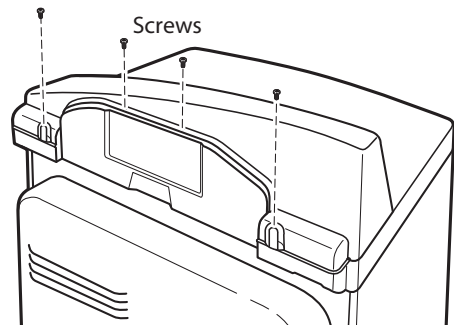
Rear of Washer

- Remove the four screws holding the washer control board to the backslash; then remove the control board and set it aside.



- Place a towel over the top surface of the dryer to prevent scratches to the surface.

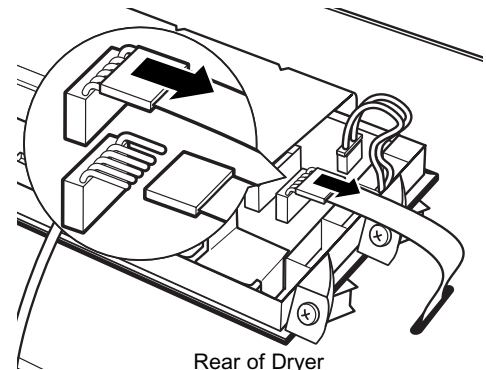
- Remove the four screws from the dryer backslash. Rotate backslash forward and lift off.



Rear of Dryer

- Disconnect the ribbon at the right of the dryer control board by pulling the connector at the end of the ribbon off the metal pins.

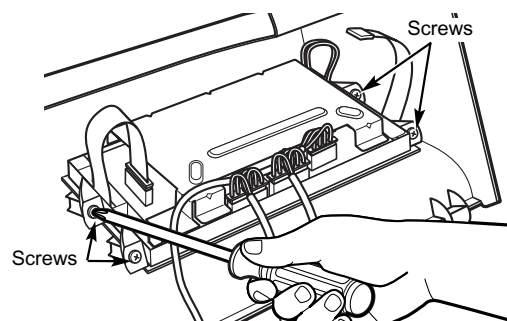
**Note:** Do not disconnect any other wires from the dryer control board.



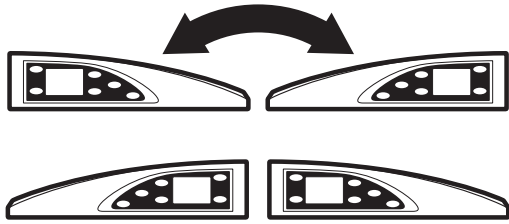
Rear of Dryer

- Remove the four screws holding the dryer control board to the backslash.

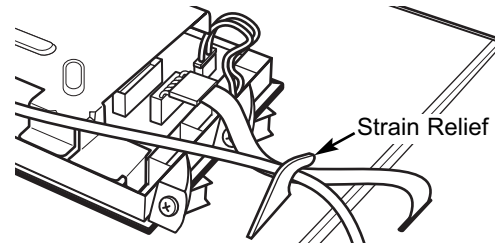
- Remove the dryer control board and set it aside.



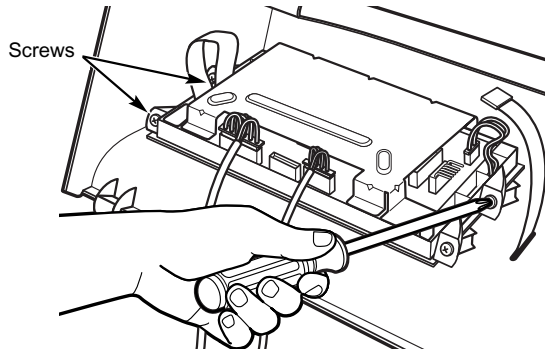
12. Place the backsplash from the dryer on top of the washer and place the backsplash from the washer on top of the dryer.



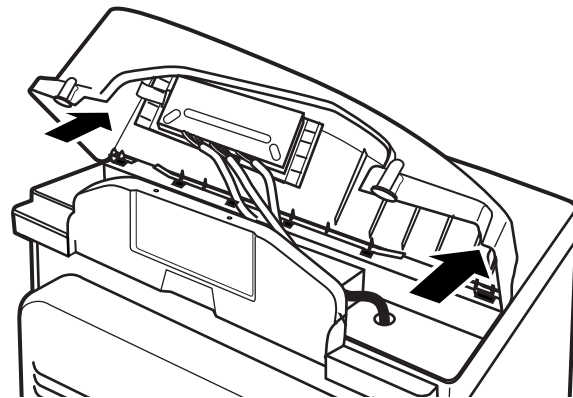
15. Place the gray wire from the serial port under the strain relief of the new backsplash.



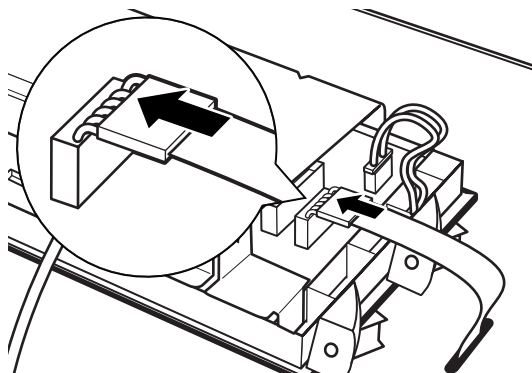
13. Attach the dryer control board to the new backsplash by replacing the four screws removed from the dryer control board earlier.



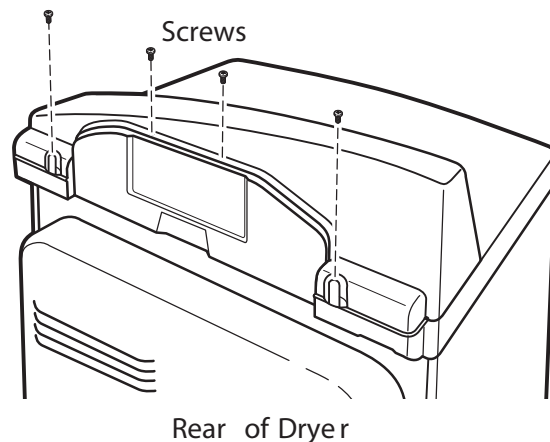
16. Insert the tabs on the bottom, front of the new backsplash into the slots on the dryer and rotate the backsplash into place.



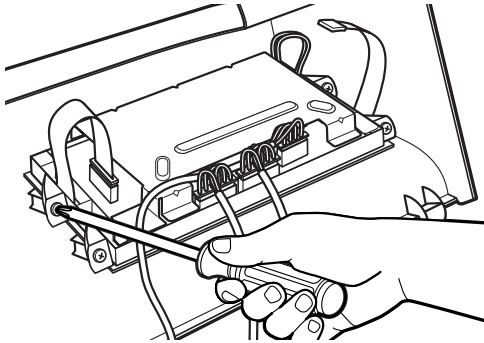
14. Connect the dryer control board to the new backsplash by sliding the ribbon connector on the new backsplash onto the metal pins on the control board and pushing in. Make sure the ribbon is not twisted before inserting the connector.



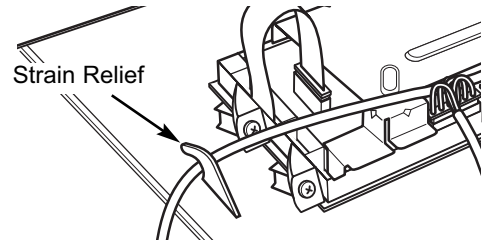
17. Secure the new backsplash to the dryer using the four screws removed earlier.



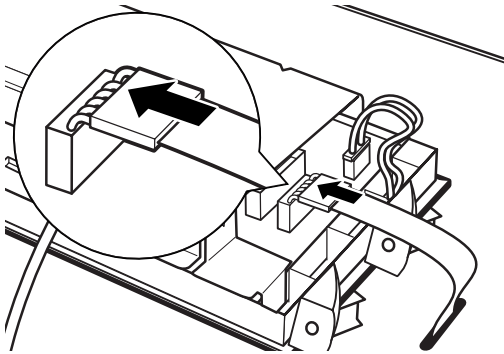
18. Attach the washer control board to the new backsplash by replacing the four screws removed from the washer control board earlier.



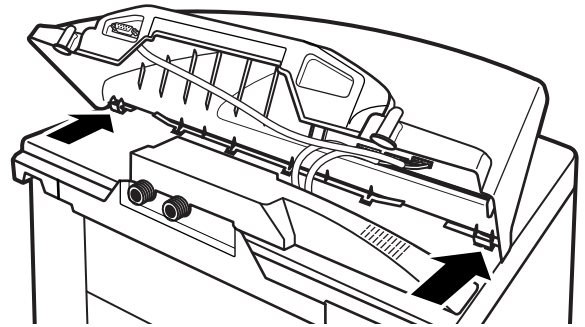
21. Place the gray wire from the serial port under the strain relief of the new backsplash.



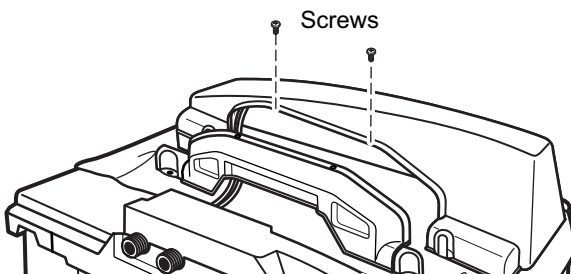
19. Connect the washer control board to the new backsplash by sliding the ribbon connector on the new backsplash onto the metal pins on the control board and pushing in. Make sure the ribbon is not twisted before inserting the connector.



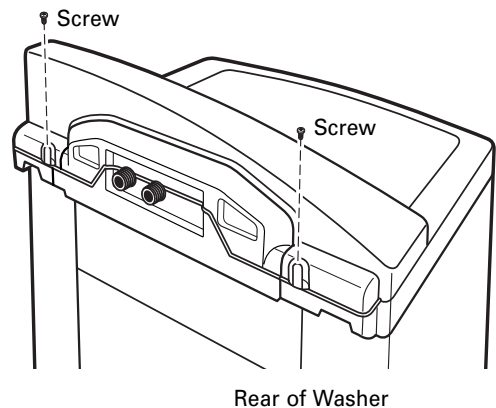
22. Insert the tabs on the bottom front of the new backsplash into the slots on the washer and rotate the backsplash into place.



20. Secure the new washer backsplash to the rear cover using the 2 screws removed earlier.



23. Secure the new backsplash to the washer using the 2 screws removed earlier.



24. Reconnect house utilities.

25. Plug the washer and dryer back in.