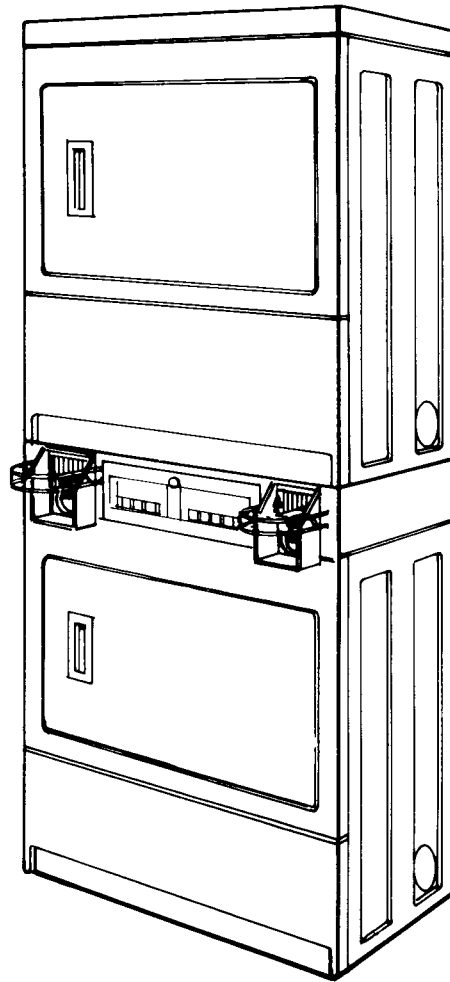
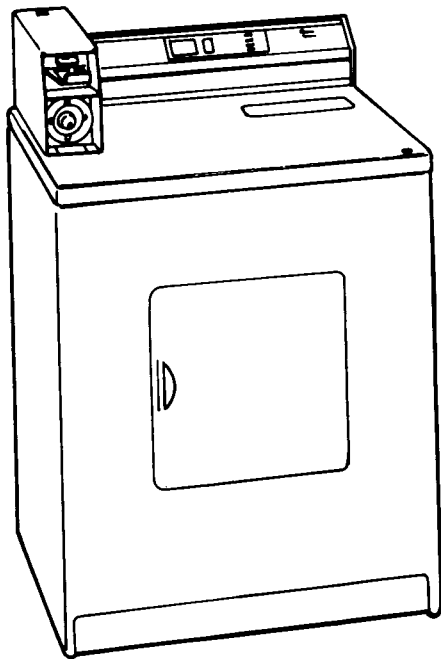




# CONSUMER SERVICES TECHNICAL EDUCATION GROUP PRESENTS

CL-4

## Commercial Dryers



JOB AID  
Part No. 4314558

s Dryers. Freezers. Refrigerator-Freezers. Ice Makers. Dishwashers. Built-In Ovens and Surface Units. Ranges. Microwave Ovens. Trash Compactors. Room Air Conditioners. Dehumidifi



# ***contents***

	<u>Page</u>
Safety Considerations . . . . .	1
Installation . . . . .	2
Servicing Components in front of bulkhead . . . . .	4
Servicing Components in rear of bulkhead . . . . .	8
Operation of Commercial Dryers . . . . .	12
Stacked Dryers . . . . .	16

# ***introduction***

The purpose of this Job Aid is to provide support to the Commercial Gas and Electric Dryers video part number 4314542. The video and this Job Aid provides you, the technician, with a basic understanding of the installation, operation and service of the basic components in Whirlpool commercial dryers.

**WHIRLPOOL CORPORATION ASSUMES NO RESPONSIBILITY FOR ANY REPAIRS MADE ON OUR PRODUCTS BY ANYONE OTHER THAN AUTHORIZED WHIRLPOOL<sup>SM</sup> SERVICE TECHNICIANS.**

# ***safety considerations***

## **⚠ WARNING**

**Electrical Shock Hazard      Fire Hazard**

### **On gas and electric dryers**

**Disconnect power supply cords before testing components or servicing dryer.**

**Failure to do so may result in electrical shock or personal injury.**

### **On gas dryers**

**Do not use an open flame to test for leaks from gas connections.**

**Shut off gas supply before testing components on the burner assembly or servicing the burner assembly.**

**Failure to do so may result in a fire or explosion, and could result in fire damage and personal injury.**

## **⚠ WARNING**

**Personal Injury Hazard**

**Wear gloves to protect hands from sharp edges that may be present.**

**Stacked dryers require more than one person to lift, tilt, or move because of their weight and size.**

**Failure to do so may result in personal injury.**

## **⚠ WARNING**

**Electrical Shock Hazard**

- **Electrical ground is required on this appliance.**
- **This appliance must be connected to a grounded metal, permanent wiring system; or an equipment-grounding conductor must be run with the circuit conductors and connected to the equipment grounding terminal or lead on the appliance.**
- **Disconnect power supply cord from the electric supply before making these changes.**

**Failure to do so may result in electrical shock or personal injury.**

## **⚠ WARNING**

**Fire Hazard**

- **This dryer must be connected to a regulated gas supply. Failure to do so could cause high-pressure gas release, resulting in a fire or explosion.**
- **Have the L.P. gas checked by a qualified person before installing the dryer. The L.P. gas supply must not exceed a pressure of 13" water column.**
- **New flexible tubing should be used. Reusing old flexible tubing might result in possible leaks or fire hazard.**

**Failure to follow these instructions may result in fire or explosion.**

# installation

## ELECTRICAL REQUIREMENTS

Electric dryers require:

- 3 or 4 wire (check local codes)
- single phase
- 240 Volt AC
- 60 Hertz
- 30 Amp circuit

A time delay fuse or circuit breaker must be used on both sides of the line. A separate circuit for each electric dryer is recommended. A flexible power cord, or pigtail, may only be used where local codes permit.

A minimum #10 wire size must be used to the receptacle. A mating receptacle of

- NEMA type 10, 30R, 3-wire, or
  - NEMA type 14, 30R, 4-wire
- must be provided if a flexible power cord is used.

Gas dryers require:

- 120 Volt AC
- 60 Hertz
- 15 Amp circuit.

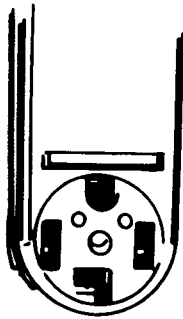
A time delay fuse or circuit breaker, and a separate circuit for each dryer is recommended.

## GAS REQUIREMENTS

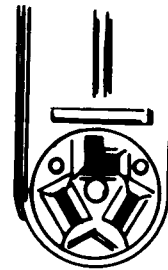
Gas dryers require a 1/2-inch gas supply line to each dryer location. Flexible metal tubing may be used to connect the dryer to the supply only where local codes permit. The dryer has a 3/8-inch male pipe thread for connection to the gas supply.

Whirlpool commercial dryers are manufactured with burner assemblies designed for use with natural gas.

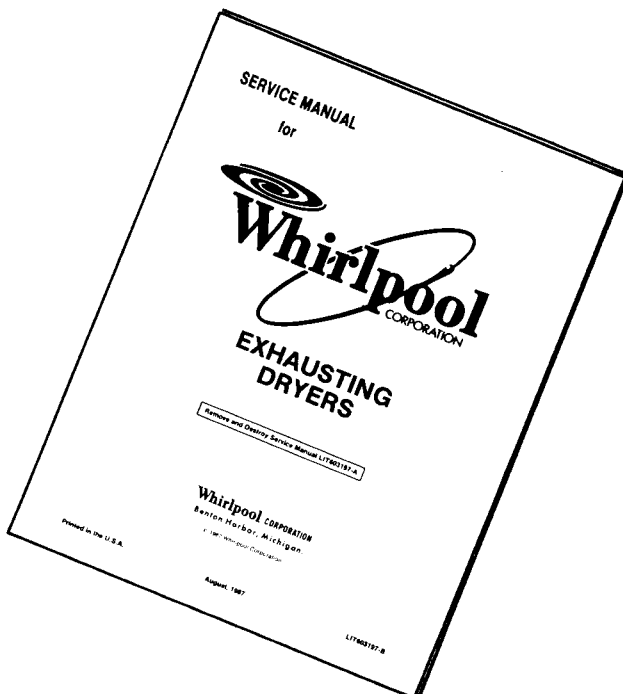
A manufactured, or L-P gas, conversion kit is available for installation on the gas dryers.



4-WIRE, 30-AMP  
RECEPTACLE (14-30R)



3-WIRE, 30-AMP  
RECEPTACLE (10-30R)

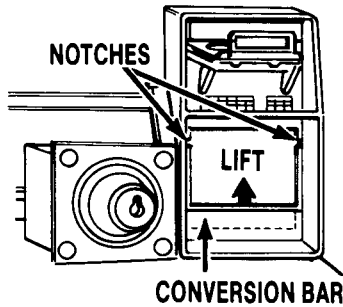


## EXHAUSTING

Each dryer must be exhausted to the outside of the building (not into a chimney), in accordance with local codes. For best efficiency of the dryers the exhaust system should be designed to conform to the specifications in the Whirlpool Exhaust Guide, Part No. LIT603197-B.

## COIN VAULT

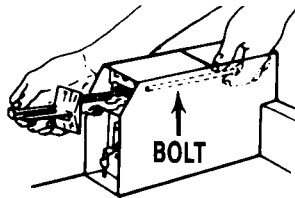
The coin vault must be installed into the lower area of the meter case. A conversion bar can be broken out to install a larger vault. The vault is secured in place by its locking mechanism.



## COIN SLIDE

The coin slide must be installed in the meter case in the slot above the coin vault. To install:

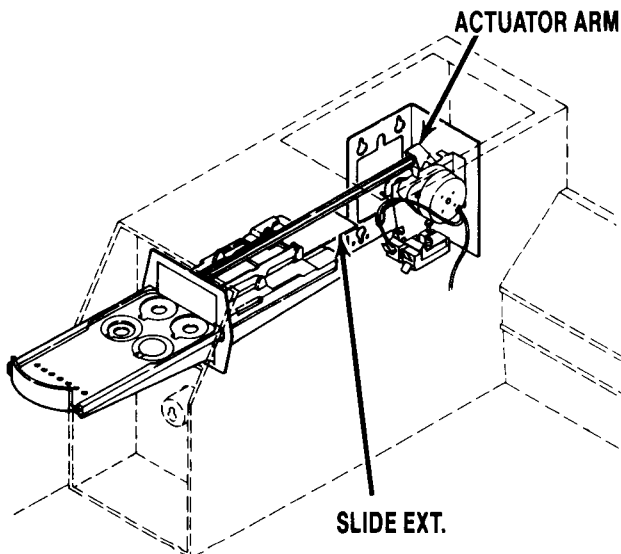
1. Slide mechanism into opening.
2. Insert a bolt through the hole inside of the meter case, and into the threaded hole in the mechanism.
3. Tighten the bolt securely.



## TIMER

The timer is factory installed in the rear of the meter case.

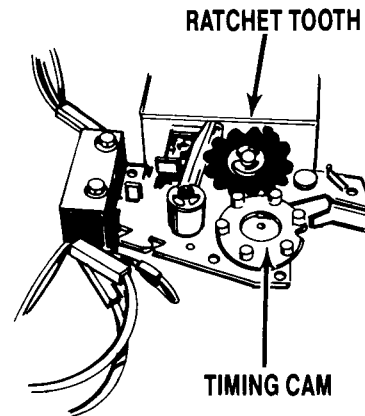
When the coin slide is pushed forward, the start lever is slide back activating the timer.



The cam in the timer determines the amount of drying time. The timer comes installed with a cam with four (4) pins, providing 45 minutes drying time for each use.

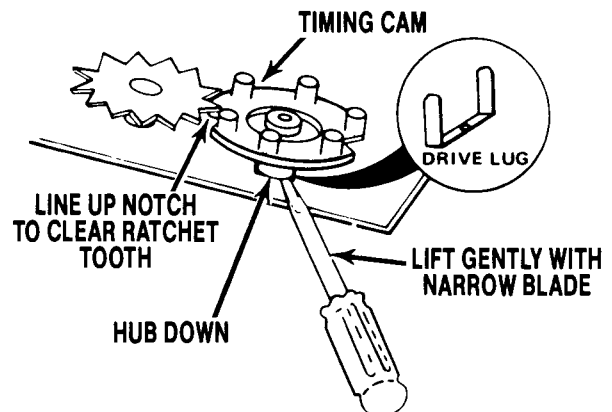
Two additional timing cams are provided in a miscellaneous parts bag with the dryer.

- cam with three (3) pins, providing 60 minutes drying time
- cam with six (6) pins, providing 30 minutes drying time



To change cams:

1. Index the notch on the cam to the notch tab on the timer with a ratchet.
2. Pry the cam off the shaft on the timer.
3. Place new cam on shaft, matching notch on cam with notch tab on timer.



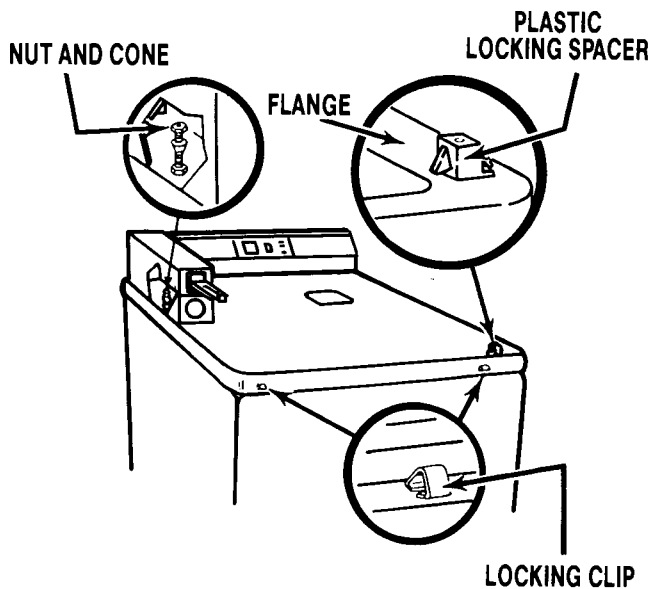
# ***servicing components in front of the bulkhead***

## **SECURITY SYSTEM**

A lock can be installed on the access panel on top of the meter case.

A bolt passes through a hole in the left rear of the dryer top into the meter case. A hold-down nut and cone secure the bolt in the meter case.

A lock can be installed at the right front of the top.



## **CONSOLE**

To access the components in the Console:

1. Remove two (2) screws that secure console to top.
2. Lay console forward onto dryer top. (Place a cloth or rag under the console to protect the finish on the top.)
3. Remove the screws that secure the back on the console.

The indicator lights are on the left of the console. On the right is a pushbutton assembly used to select drying cycles, and the push-to-start button.

To access most of the mechanical and electrical components in the dryer, it is necessary to raise the top and remove the front of the dryer.

## **DRYER TOP**

1. Unlock top lock.
2. Remove security bolt in the left rear.
3. Remove two (2) screws under lint screen lid.
4. Either use a putty knife to release the front lock clips, or  
Pull the top forward on each side, twist slightly to release the front lock clips.
5. Raise the top and prop it against the wall behind the unit. (Place a cloth or rag between the top and wall to protect the finish on the top.)

## **DRYER FRONT**

All commercial dryers have a lower access panel that must be removed first before removing the front panel.

FIRST—lift top to remove dryer front:

1. Use a small blade screwdriver to release the two (2) lock clips on top of the lower panel.
2. Swing the lower panel out and up off the two (2) lower support clips.
3. Remove door springs.
4. Loosen two (2) screws at bottom of front panel.
5. Disconnect door switch wire leads and wiring harness.
6. Remove two (2) screws on each side at top of the front panel.
7. Carefully remove front panel.

## DRYER DOOR

All types of dryer doors are hinged from the front panel with hinges secured by screws.

All doors are a two-piece assembly held together by screws. The door assembly must be separated to access the door catch and door handle.

## DOOR CATCH

To remove:

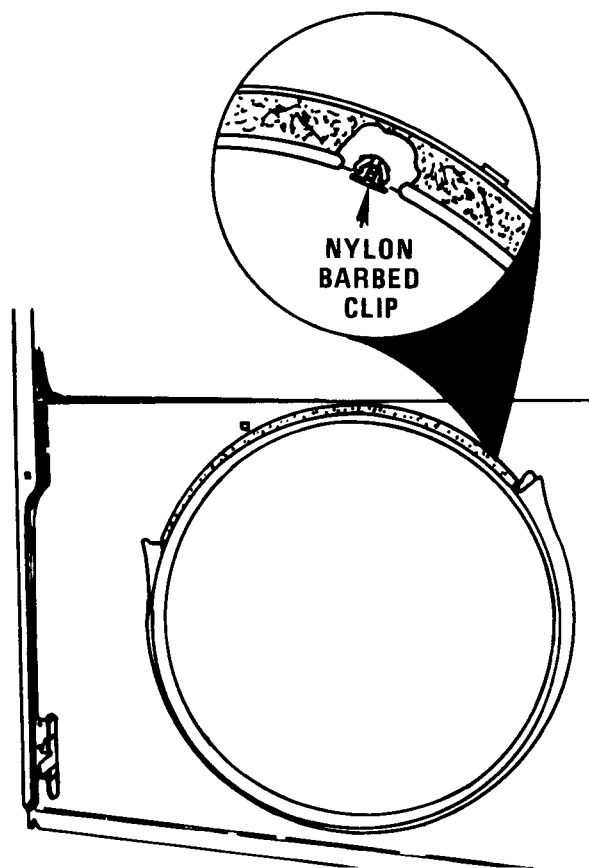
1. Depress flexible tabs on the back side of the front panel.
2. Pull the catch out through the front of the front panel.

## DOOR SEAL

The door seal is cemented to the inner door panel.

## FRONT DRUM BEARING

The reversed door opening flange in the front panel is the support for the front drum seal and bearing.



The front bearing is a teflon-impregnated felt that needs no lubrication. The bearing is held in place by plastic plugs and seal cement.

## DRUM RING

A plastic ring forms the front bearing race on the drum. To remove the pliable ring:

1. Grasp the ring from inside drum and pull down to release two (2) of the tabs holding it in place.
2. Slip ring out of drum.

**NOTE:** When replacing the ring, be careful to keep your finger clear when releasing the ring to seat the last tab.

Fluctuating temperatures in the dryer may cause the ring to expand and contract, resulting in a loose or noisy ring. This can be corrected by applying a small amount of silastic sealer at each of the locating tabs.

## DRUM

To remove:

1. Release belt from idler pulley and motor.
2. Lift drum through the cutouts on front flanges of the side panels.

To replace the drum:

1. Place belt around the drum, grooves facing the drum.
2. Insert drum through the side cutouts.
3. Rest drum on support rollers.
4. Connect belt to motor.
5. Replace front panel while raising the drum to engage the bearing ring and front bearings.
6. Before closing the top, turn the drum counter-clockwise one revolution. Use a screwdriver to make certain the rear drum seal is lying against the bulkhead bead and is not turned under into the drum. Do NOT use your fingers to check the drum seal because pins, broken buttons and other small items may have lodged in the seal.

## DRUM BAFFLES

The drum has two (2) formed baffles and a plastic "variator" baffle secured to the drum with screws.

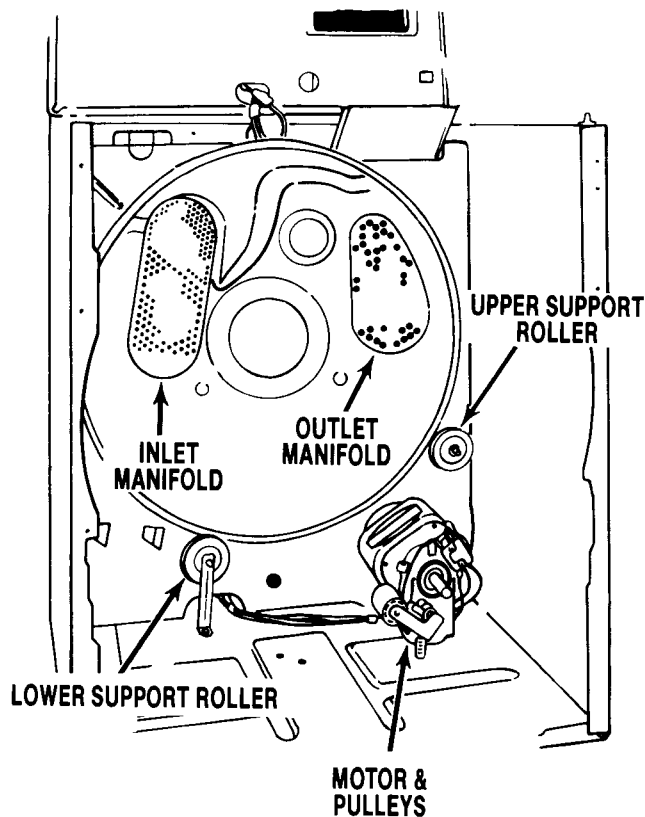
## REAR DRUM SEAL

The rear of the drum is open and butts against the bulkhead. A vinyl-covered fabric seal is cemented to the drum and closes the gap between the drum and bulkhead. The seal rides on a bead on the bulkhead.

## DRUM SUPPORT ROLLERS

Two cushioned drum support rollers turn on axles mounted in the bulkhead. The drum has a groove near the rear edge that forms a track for the rollers

The rollers are interchangeable between different sized units. The rollers are secured to the axles by plastic retaining clips.



The lower roller turns on a fixed position on its axle. The lower roller:

- maintains belt alignment
- maintains a tight air seal at rear of the drum
- holds the drum level.

The upper roller floats on the shaft to compensate for manufacturing tolerances.

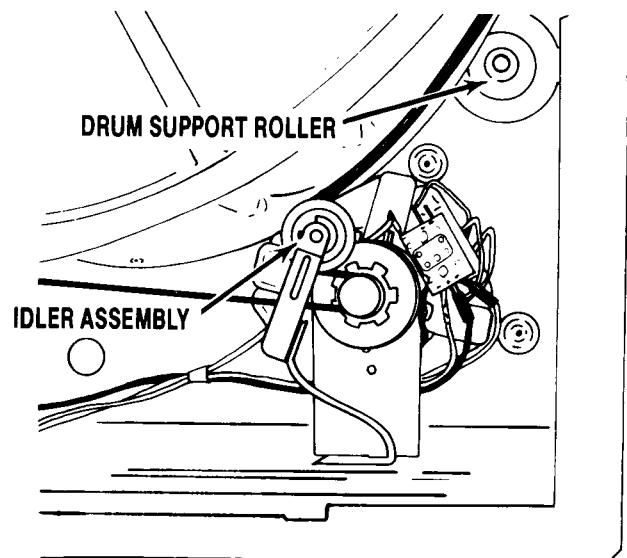
The rollers do not need lubrication and are generally service free.

However, if the dryer is dropped, the weight of the drum may bend the axle of the lower roller. This condition can cause an alteration in the laundry tumbling pattern and open up gaps in the seal at the rear of the drum.

The lock nuts that secure the support roller shafts are located on rear of the bulkhead. The lint chute covers the upper shaft nut.

## DRYER BELT

A poly-V belt engages a matching poly-V pulley on the motor. The belt is wrapped around the drum (grooved side down toward the drum), looped under an idler pulley (mounted on a spring bracket to maintain tension), and looped over the motor pulley.



The belt turns the drum counterclockwise at approximately 48 RPMs.

To remove belt:

1. Push the idler pulley toward the motor pulley.
2. Work the belt over the end of the pulley and slip it off the idler assembly.
3. Slip the belt off of the drum.



## MOTOR

The motor is a double-shaft, single-speed, one-third horsepower motor with a counterclockwise rotation.

The external centrifugal switch is serviceable. But the end bells of the motor are either welded or cemented together, making the motor itself unserviceable.

On the front shaft, the motor drives a pulley, which drives the belt and drum. On the rear shaft, which is threaded and screws into the blower hub, the motor drives the blower wheel.

To remove:

1. Remove blower wheel from motor shaft by
  - holding the blower hub stationary with an open end or adjustable wrench
  - placing an open end or adjustable wrench around the flat edge on the front pulley shaft and turning clockwise toward the cabinet side

**NOTE:** All threads on the blower hub are left-handed.

2. Disengage motor hold-down clips by
  - placing a nutdriver over the looped end of the clip
  - depressing the formed hump of the clip while pressing down and out with the nutdriver

**NOTE:** Remove the front clip first to relieve pressure on the back clip. When installing a motor, replace the back clip first.

3. Remove the motor ground wire and the other motor wire leads, noting their placement.

An index tab on the motor mounting ring fits into an index slot on the front bracket. This keeps the motor at the correct angle in the bracket. If the motor was placed flat on the bracket it would hit the drum. The index tab also prevents the motor from turning with the start-up torque.

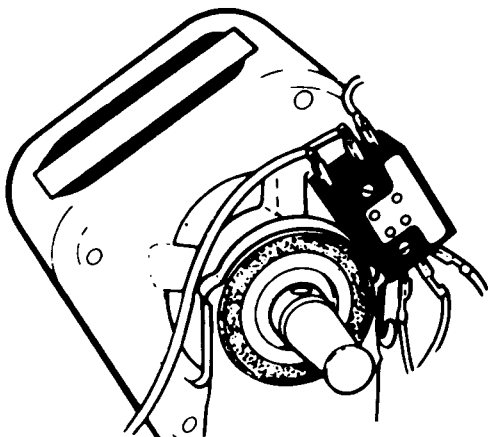
## BULKHEAD

The bulkhead serves as a stationary back for the drum, and a mounting plate for the heat and air system, and several feature components.

The bulkhead is secured at the top to braces, and to the baseplate with screws.

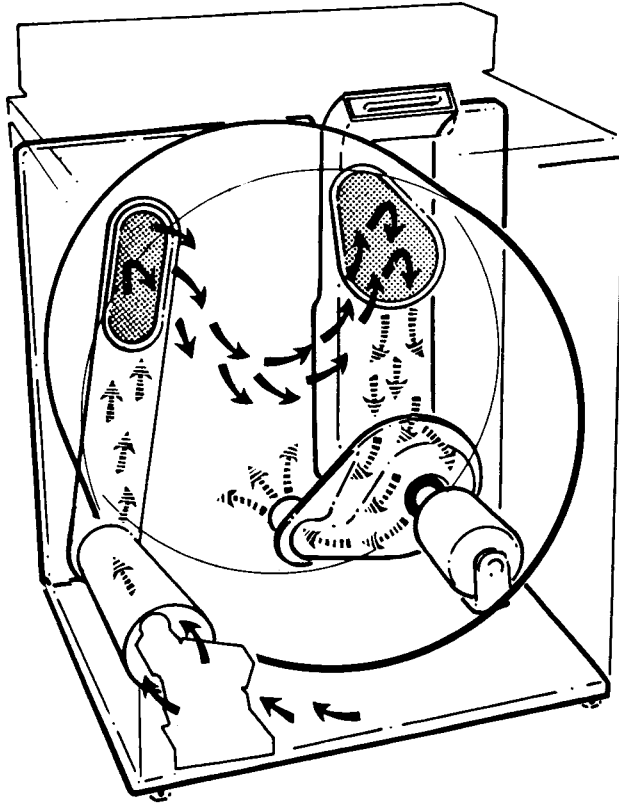
## MOTOR BRACKETS

The motor sits on two (2) brackets. The front bracket is secured to the baseplate with a bolt. The rear bracket is a formed part of the bulkhead.



# ***servicing components in rear of bulkhead***

## **AIR INTAKE AND EXHAUST SYSTEM**



**Air system is similar in gas and electric dryers. Gas dryer is shown.**

The blower wheel draws dry air across the burner or element where it is heated.

Incoming and outgoing air passes through ports in the bulkhead.

The heated air is circulated through the laundry and is pulled through the outlet manifold and the lint screen in the lint chute.

The moisture-laden air is then discharged through the 4-inch exhaust line to an outside vent.

## **REAR SERVICE PANELS**

There are two service panels on the back of the dryer.

The small service panel covers the electrical terminal block. On electric dryers, the 240-Volt terminal block is secured by two (2) screws to a mounting bracket.

The large louvered back panel covers the intake and exhaust system. On gas dryers, the louvers also provide auxiliary air for the burner.

## **HEATER BOX**

On electric dryers the heater box is open at the bottom and is supported by two (2) brackets extending out from the bulkhead.

On gas dryers the bottom of the heater box slips over the burner collar which is attached to the bulkhead.

To remove the heater box:

1. Remove the screw that secures the strap spring at the top of the box.

**NOTE:** The access hole for the screw-driver may be covered by the wiring diagram label on the back of the unit.

2. On electric dryers, remove the wire leads to the hi-limit thermostat and the heat element.

On gas dryers, remove the two (2) screws at the bottom that secure the box to the brackets on the baseplate.

3. Either lift the box off its supports (electric), or pull the bottom of the box out from the burner collar.
4. With the bottom of the box free, pull it down and out of the dryer.

## **ELECTRIC HEAT ELEMENT**

To remove heat element:

1. Remove heater box.
2. Remove one (1) retaining screw at the bottom of the heater box.
3. Pull the element out through the bottom of the heater box.

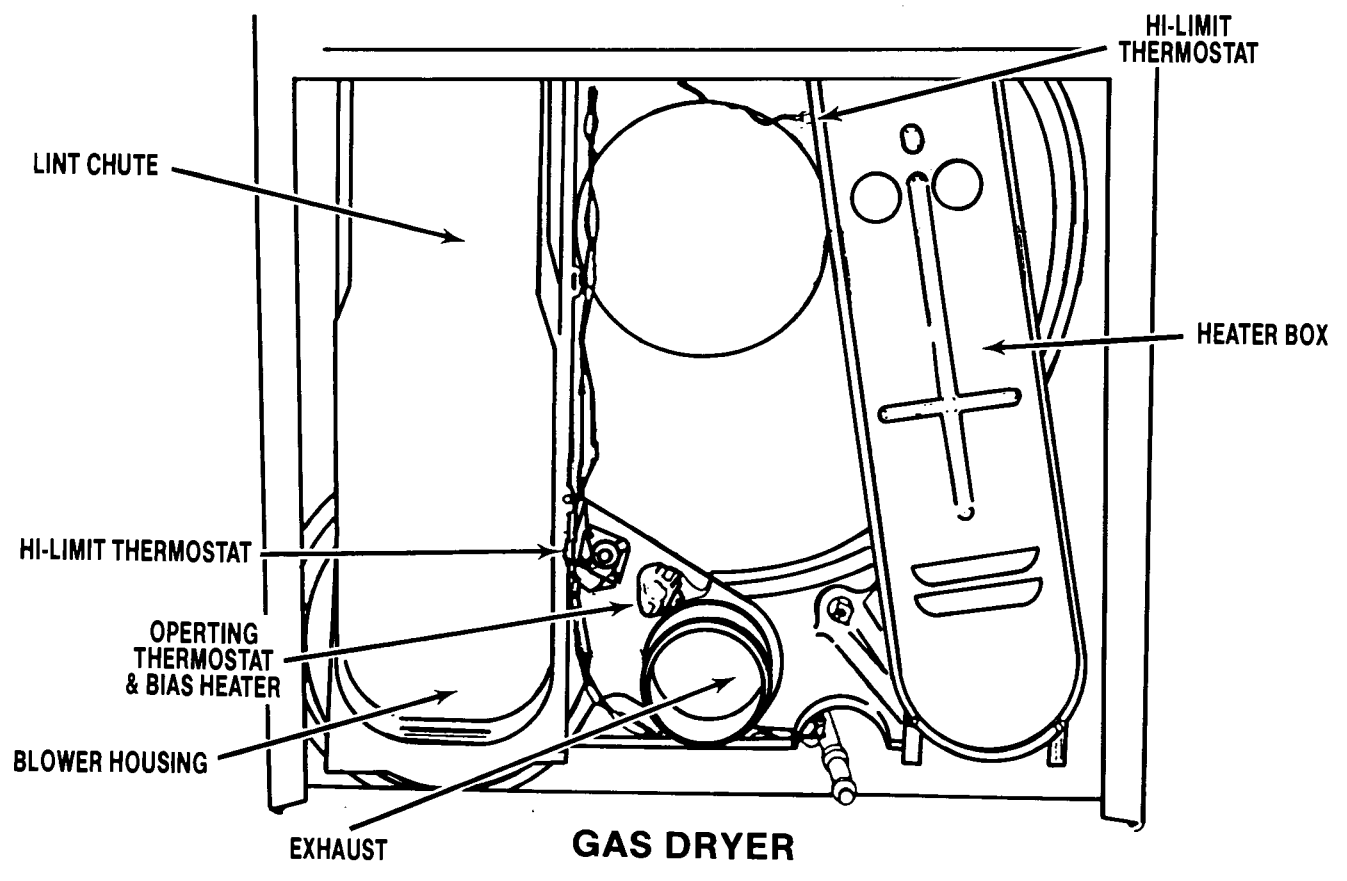
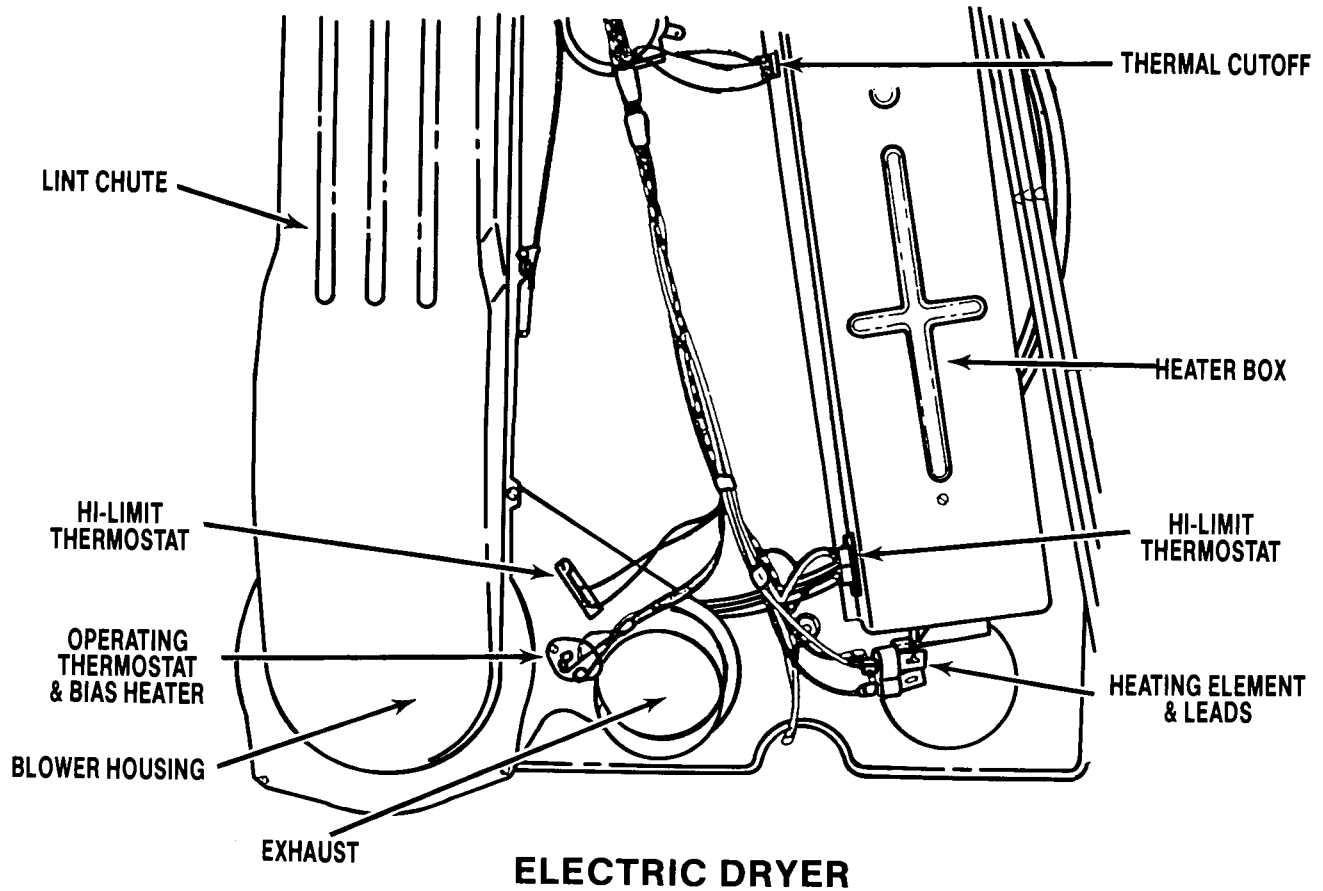
## **GAS BURNER ASSEMBLY**

The burner assembly is located in the lower left corner of the cabinet, in front of the bulkhead. To service, it is generally only necessary to remove the lower access panel.

**FIRST**—be sure to shut off the gas supply and disconnect it from the burner.

To remove burner assembly:

1. Remove wire leads from ignitor and flame sensor.
2. Remove two (2) screws in the front that hold the burner assembly in place.
3. Remove two (2) screws that secure the burner funnel into a collar attached to the bulkhead.
4. Pull the burner assembly forward and out of the unit.



## MANIFOLD COVER

The manifold cover is part of the heater box and fits into a hole in the bulkhead.

## LINT CHUTE

To remove lint chute:

1. Remove four (4) screws securing the chute to the blower housing.
2. Remove two (2) screws on the right upper bracket securing the bulkhead.
3. Pull the bulkhead forward and lift out the chute through the top. Be careful not to damage either seal on the lint chute as it is removed.

One lint chute seal is on the back of the bulkhead around the outlet manifold.

The other seal is located where the chute flange mates with the blower housing.

**NOTE:** If the lower lint chute seal works loose, it will flap against the blower wheel. It can be easily cemented back into place with an adhesive.

## BLOWER WHEEL

It is often necessary to remove the lint chute and blower wheel to remove small items that may have fallen down the chute.

To remove blower wheel:

1. First remove wheel hub from rear of motor shaft.
2. Remove lint chute.
3. Lift out blower wheel.

## LINT SCREEN

The lint screen slips down into the lint chute under a cover located on the dryer top. Flexible steel bands in the sides of the screen provide a contoured fit.

**IMPORTANT:** The lint screen must be cleaned before each load of laundry is dried.

## OPERATING THERMOSTAT AND BIAS HEATER

The operating thermostat and bias heater are located on the back side, near the top of the blower housing.

## HI-LIMIT THERMOSTATS

There is a hi-limit thermostat located on the front of the blower housing directly above the operating thermostat and bias heater. On some models this thermostat is a non-resettable thermal fuse.

A second hi-limit thermostat is located on the heater box. On electric dryers, the hi-limit thermostat is located near the bottom of the heater box. On gas dryers, the hi-limit thermostat is located near the top of the heater box.

The thermostats break the circuit to the heat source if the operating thermostat fails in a closed position, or the air flow through the dryer is severely restricted.

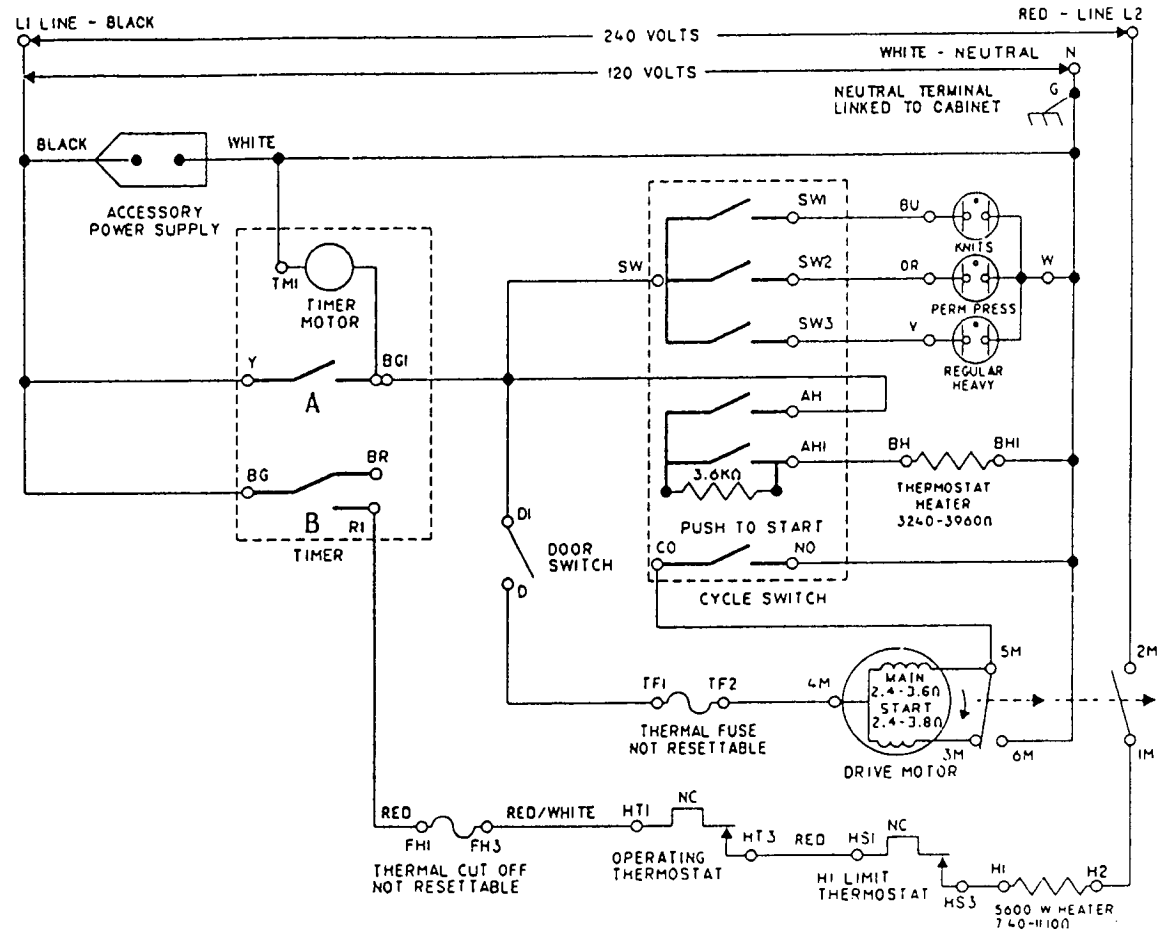
## THERMAL CUTOFF (Electric Dryers)

On electric dryers there is a non-resettable cutoff located near the top of the heater box. The cutoff is set up off of the side of the box.

# wiring schematic

CYCLE SWITCH				
CONTACT	KNITS	PERM. PRESS	REG. HEAVY	P.T.S.
AH-AHI	■	3.6KΩ		
SW-SW1	■			
SW-SW2		■		
SW-SW3			■	
NO-CO				Ⓜ

TIMER SCHEDULE IN MINUTES		
SWITCH CLOSED		OFF
Y-BGI	30	
BG-BR	2	←
BG-R1	28	



# operation of commercial dryers

A typical wiring diagram includes the unit's wiring schematic, a timer chart, and pushbutton switch chart. The wiring diagrams for both the electric and gas dryers are similar.

## WIRING SCHEMATIC

The cycle indicator lights and timer motor are at the top of the schematic.

Below them are the push-to-start switch and drive motor.

The heat source is shown at the bottom of the wiring schematic.

**NOTE:** The drive motor has a centrifugal switch containing two sets of contacts. One set of contacts controls the circuitry to the start winding and the other set is in series with the heat source. The contacts in series with the heat source close when motor is running. Since the blower is operated by the motor, there is always air blowing through the dryer anytime the heat source is energized.

## TIMER CHART

The timer contacts are listed at the left of the timer chart. The heavy bold lines indicate the location of the contacts on the wiring schematic.

The diagonal lines to the right of each contact indicate that the contact is closed. A blank space to the left of a contact indicates the contact is open. The numbers indicate how long, in minutes, the contact is either open or closed.

TIMER SCHEDULE IN MINUTES		
SWITCH CLOSED		OFF
Y-BGI	30	
BG-BR	2	← →
BG-RI	28	

## PUSHBUTTON SWITCH CHART

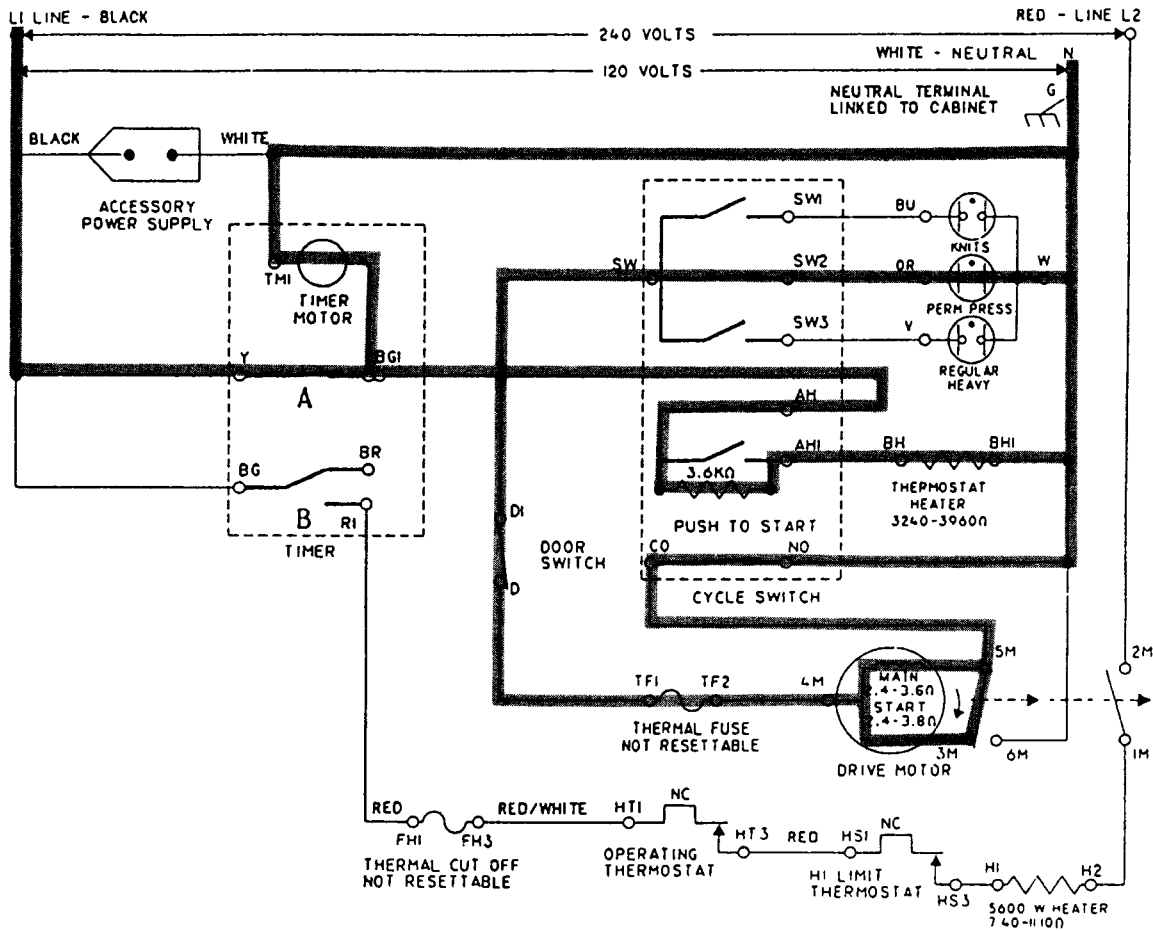
The switch contacts are listed in the left column. The switch settings are noted across the top of the chart. Diagonal lines to the right of a contact listing indicate that the contact is closed in that setting. A blank space indicates that the contact is open in that setting.

CYCLE SWITCH				
CONTACT	KNITS	PERM. PRESS	REG. HEAVY	P.T.S.
AH-AHI		3.6KΩ		
SW-SWI				
SW-SW2				
SW-SW3				
NO-CO				Ⓜ

## Example of a Cycle Operation—PERMANENT PRESS CYCLE

When the PERMANENT PRESS CYCLE is selected, and the push-to-start switch is closed, the circuit is completed from L-1 to Neutral through the motor and the indicator light.

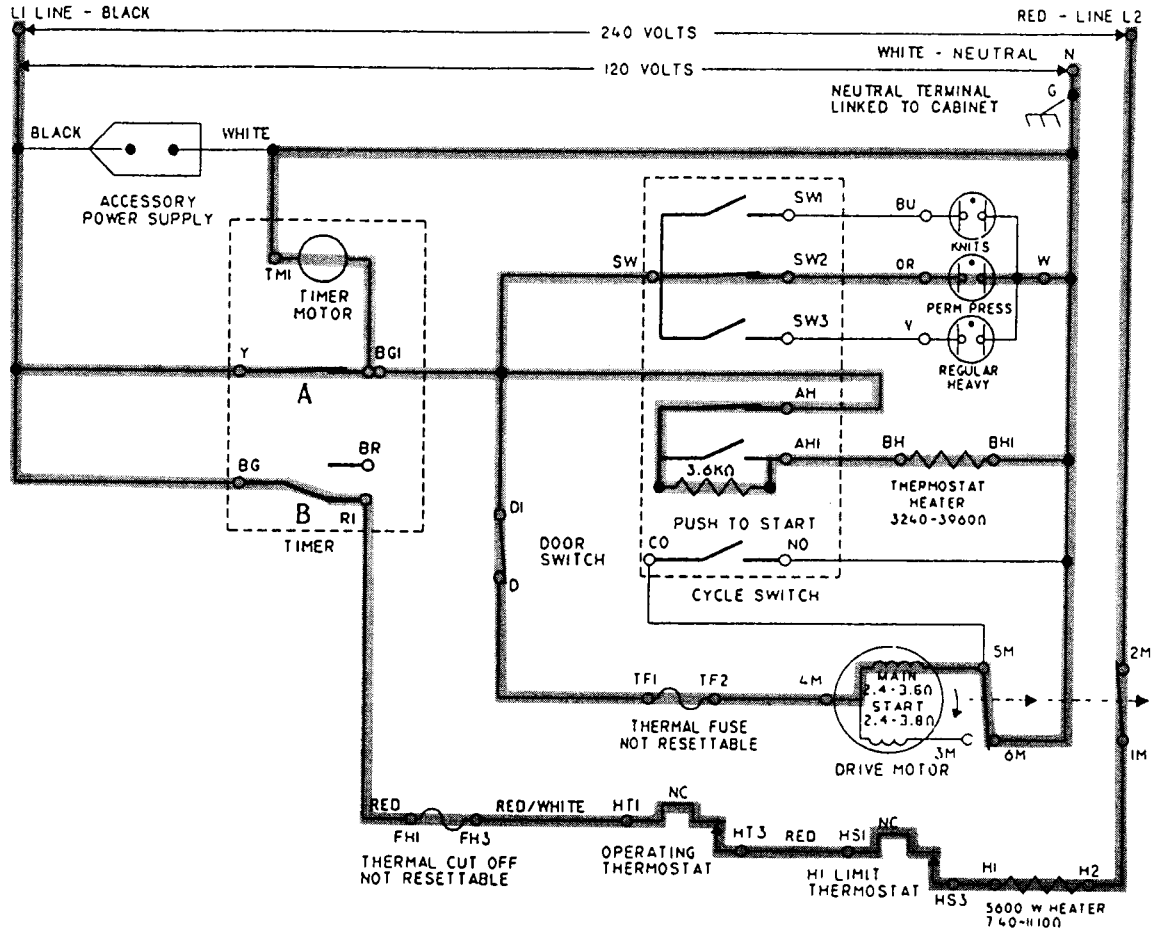
Because the motor is not up to run speed, the centrifugal switch contact in series with the heater is open and a circuit cannot be completed from L-1 to L-2 through the heater.



CYCLE SWITCH				
CONTACT	KNITS	PERM. PRESS	REG. HEAVY	P.T.S.
AH-AH1	■	3.6KΩ		
SW-SW1	■			
SW-SW2		■		
SW-SW3			■	
NO-CO				Ⓢ

TIMER SCHEDULE IN MINUTES		
SWITCH CLOSED		OFF
Y-BGI	30	
BG-BR	2	
BG-RI	28	

When the drive motor reaches run speed, the contacts in the centrifugal switch transfer. The contacts controlling the circuit to start winding open. The push-to-start switch contacts are open and the motor continues to run. The centrifugal switch contacts in series with the heat source are held closed by the running motor and a circuit is completed through the heater. The dryer is now running and heating up in the PERMANENT PRESS CYCLE.

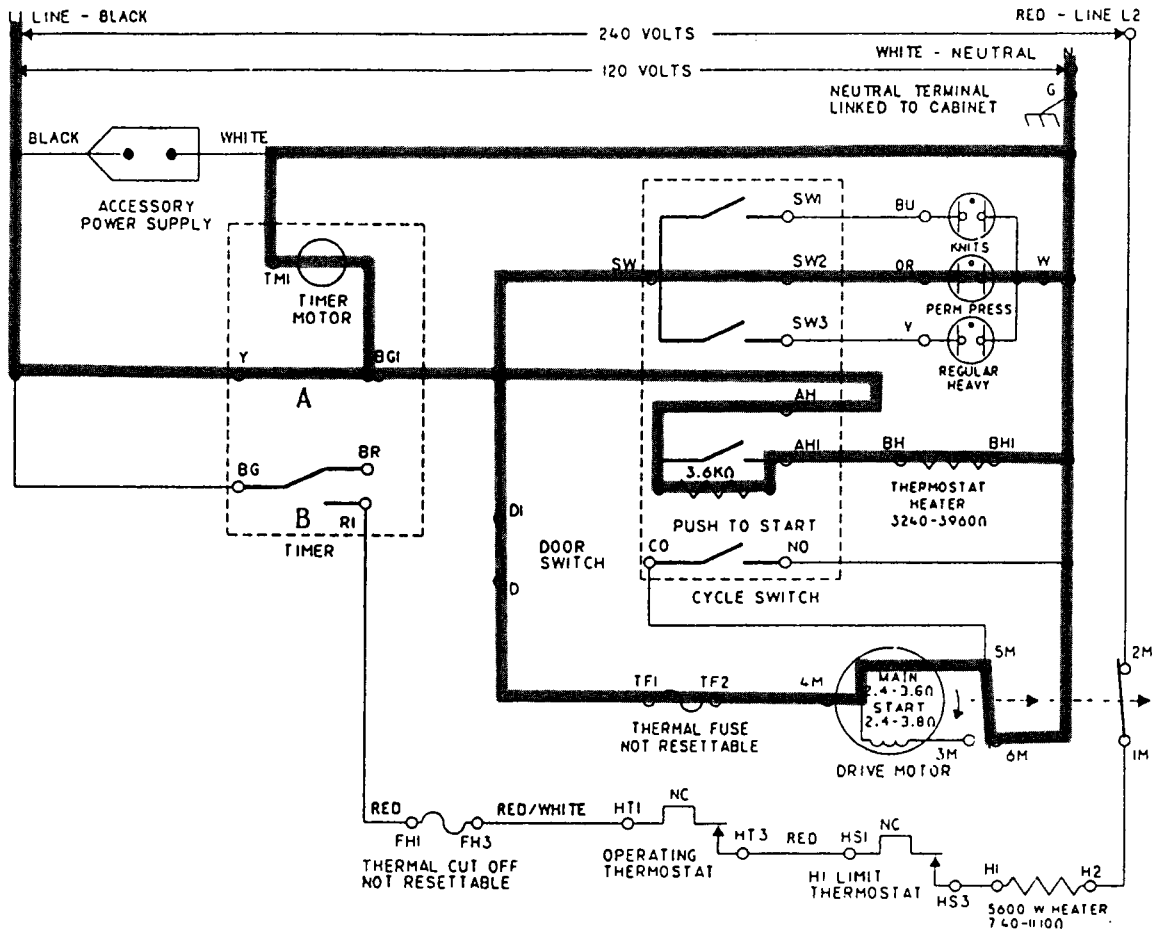


CYCLE SWITCH				
CONTACT	KNITS	PERM. PRESS	REG. HEAVY	P.T.S.
AH-AH1	■	3.6KΩ		
SW-SW1		■		
SW-SW2			■	
SW-SW3				Ⓜ
NO-C0				

TIMER SCHEDULE IN MINUTES		
SWITCH CLOSED		OFF
Y-BGI	36	
BG-BR	2	
BG-RI	28	



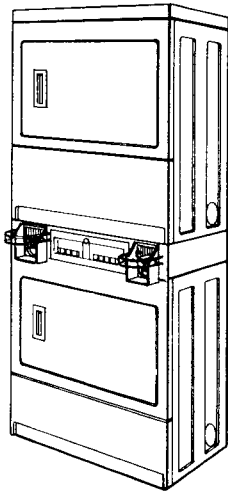
About five minutes before the end of the cycle the timer opens the circuit to the heater. The dryer now runs and tumbles the laundry with no heat, allowing a cool down before the dryer stops.



CYCLE SWITCH				
CONTACT	KNITS	PERM. PRESS	REG. HEAVY	P.T.S.
AH-AHI		3.6KΩ		
SW-SW1				
SW-SW2				
SW-SW3				
NO-CO				Ⓜ

TIMER SCHEDULE IN MINUTES		
SWITCH CLOSED		OFF
Y-BGI	30	
BG-BR	2	
BG-RI	28	

# stacked dryers



## VENTING

Commercial stacked dryers can be vented from the rear, or through the cutouts on either side of each of the units. In addition, the lower dryer can be vented downward through the floor.

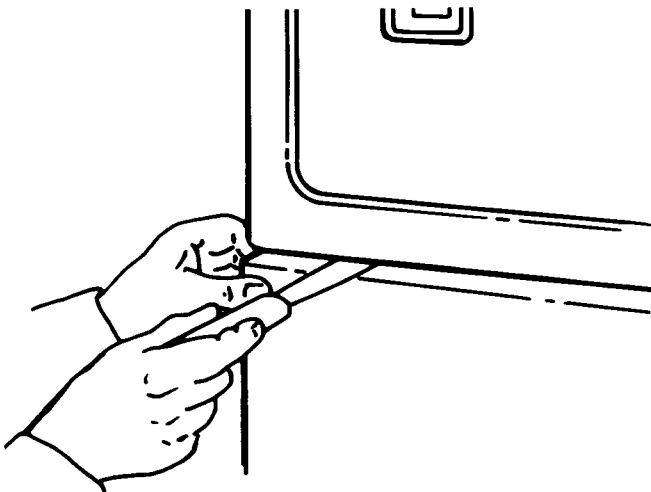
Each dryer in a stacked unit must be vented separately.

## REAR SERVICE PANELS

Only the two small service panels located on the rear of the collar are removable. The 240-volt electric terminal blocks are located behind these service panels on electric dryers.

## LOWER ACCESS PANEL

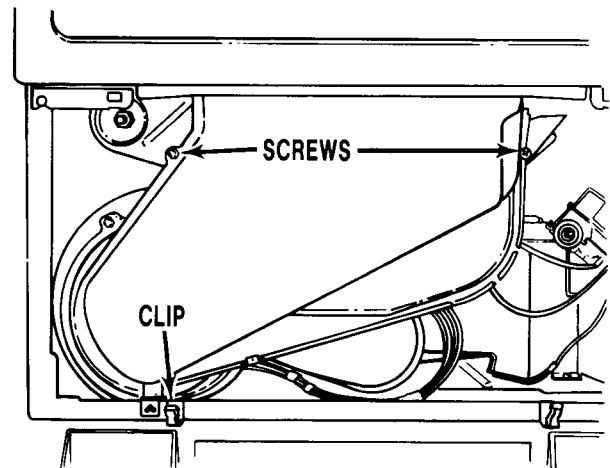
Each dryer in a stacked unit has a lower access toe panel. The panel can be removed by using a small blade screwdriver to release the two toe panel clips located approximately 4 inches in from each side of the toe panel.



## LINT DUCT

To remove:

1. Remove lower access panel.
2. Remove two (2) screws that secure lint duct cover to front bulkhead.
3. Carefully remove lint duct cover from under the clip on the cabinet flange.



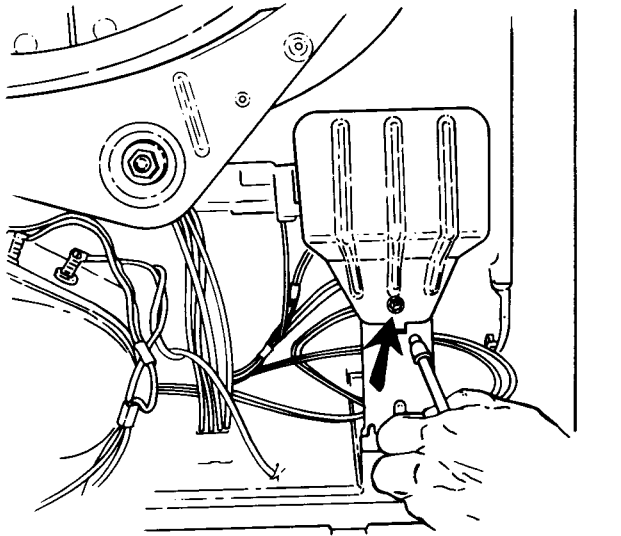
With the lint duct removed, you now have access to the:

- heat element or gas burner assembly
- operating thermostat and bias heater
- thermal fuse
- hi-limit thermostat
- thermal cutoff (electric dryers) or ignitor and flame sensor (gas dryers)
- blower wheel
- blower housing
- motor, idler pulley and broken belt switch

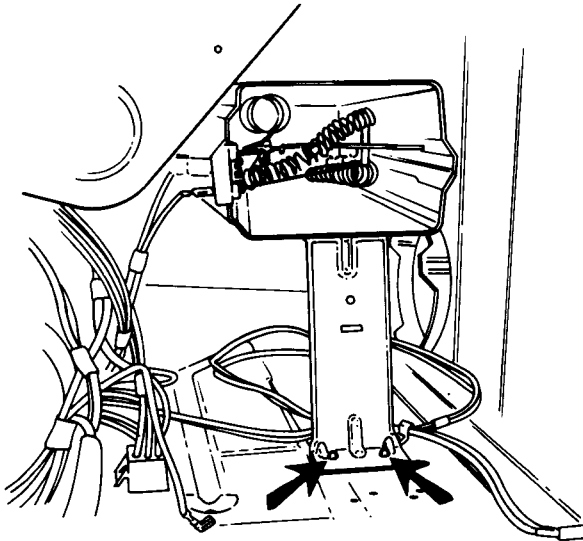
## HEATING ELEMENT (Electric Dryer)

To remove, first remove heater box by

1. Remove screw from shield.



2. Remove two (2) screws from bracket base.



3. Remove wire leads from hi-limit thermostat, thermal cutoff, and heat element.
4. Remove heater box.

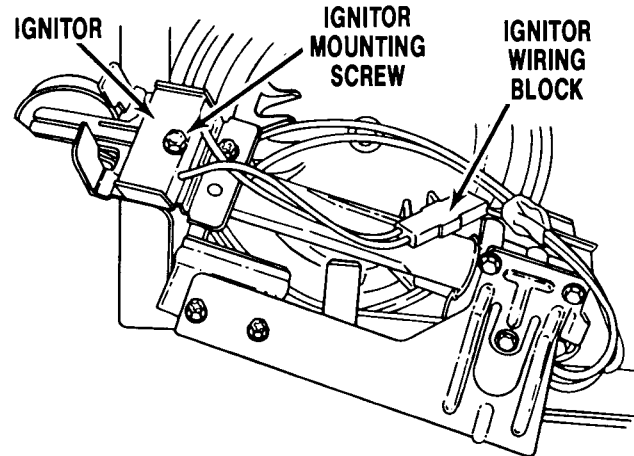
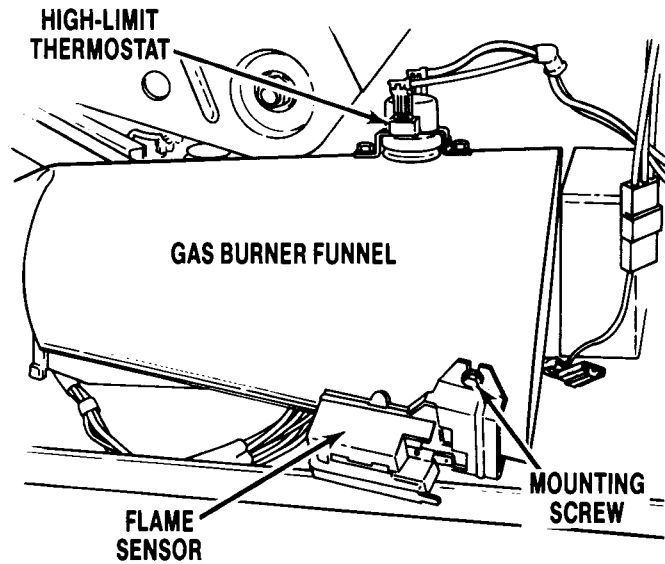
The element will now slide out through the opening at the bottom of the heater box.

## BURNER ASSEMBLY (Gas Dryer)

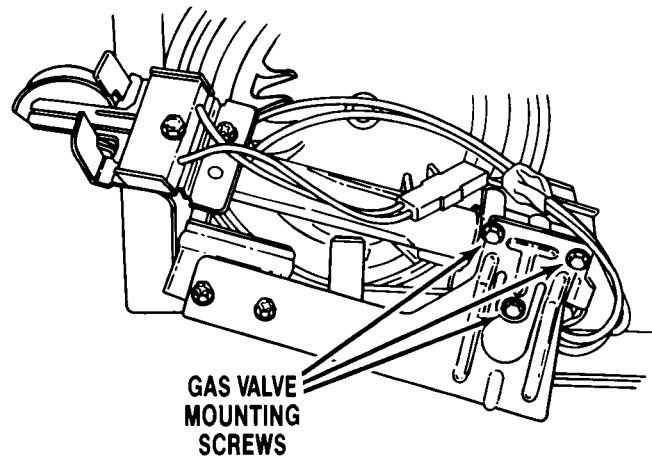
FIRST—Be sure to shut off gas supply, and disconnect from the burner.

To remove burner assembly:

1. Remove wire leads from flame sensor.



2. Disconnect wiring harness from burner assembly.
3. Remove two (2) screws from bracket.

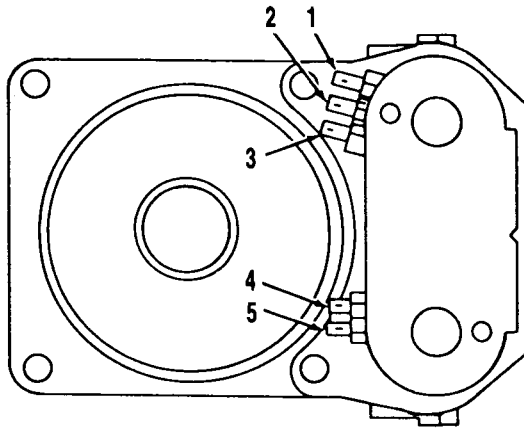


4. Carefully pull out burner assembly.

## DIAGNOSTIC TESTS FOR ELECTRICAL COMPONENTS IN GAS BURNER ASSEMBLY

**To test coils** measure resistance between terminals with an ohmmeter.

Terminal 1 to Terminal 2	approximately 1365 Ohms
Terminal 1 to Terminal 3	approximately 560 Ohms
Terminal 4 to Terminal 5	approximately 1220 Ohms



1 TO 2 =  $1365\Omega \pm 25$   
1 TO 3 =  $560\Omega \pm 25$   
4 TO 5 =  $1220\Omega \pm 50$

**To test ignitor** measure resistance between terminals with an ohmmeter.

There should be between 50 Ohms and 250 Ohms.

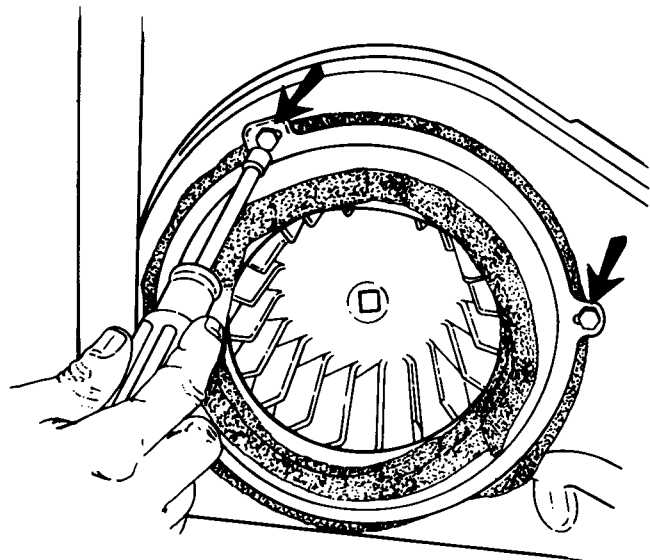
**To test flame sensor** measure resistance between terminals with an ohmmeter.

There should be zero Ohms resistance.

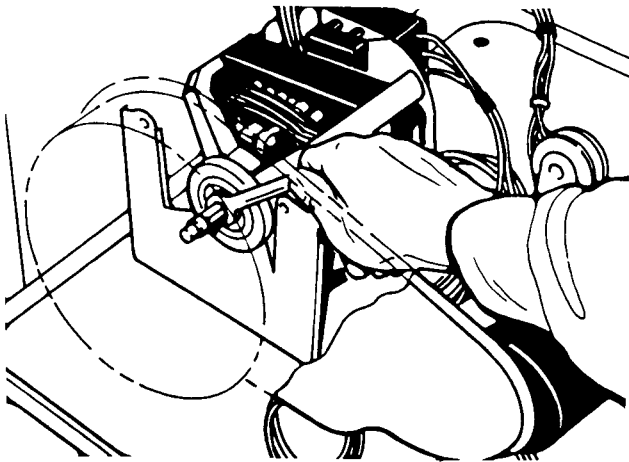
## MOTOR

To remove motor:

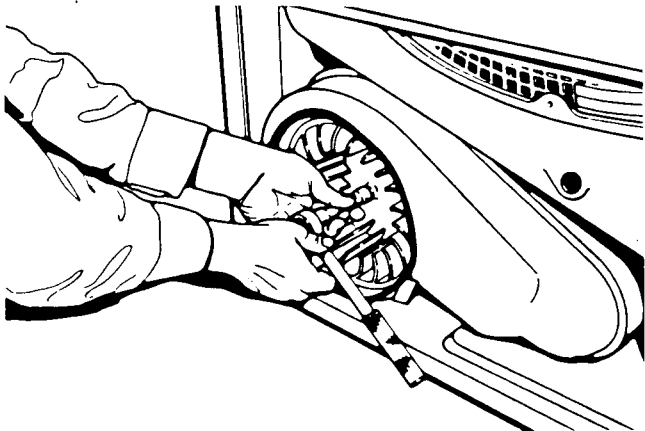
1. Remove two (2) screws from blower cover.
2. Remove blower cover.



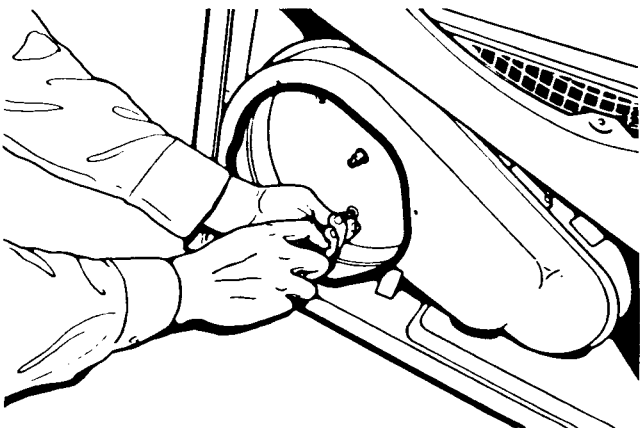
3. Reach behind the blower housing and place a 7/16-inch open end wrench on motor shaft at the front of the motor.
4. Rotate the blower wheel clockwise to lock motor shaft with the wrench.
5. Allow wrench to lock against motor bracket.



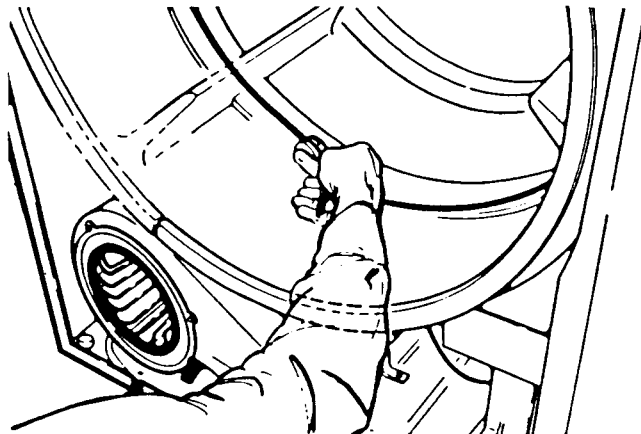
6. Use a 3/8-inch drive, or a 3/8-inch adapter on a 1/2-inch drive, to remove blower wheel. (The wheel has left-handed threads, so rotate the wheel clockwise to remove it.)



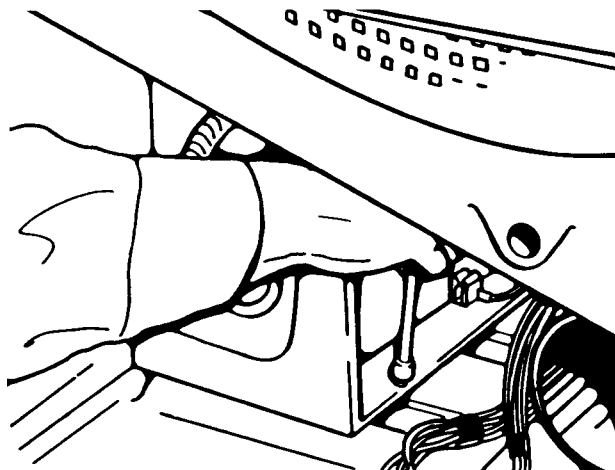
7. Remove three (3) screws securing blower housing.
8. Tip blower housing down and pull out.



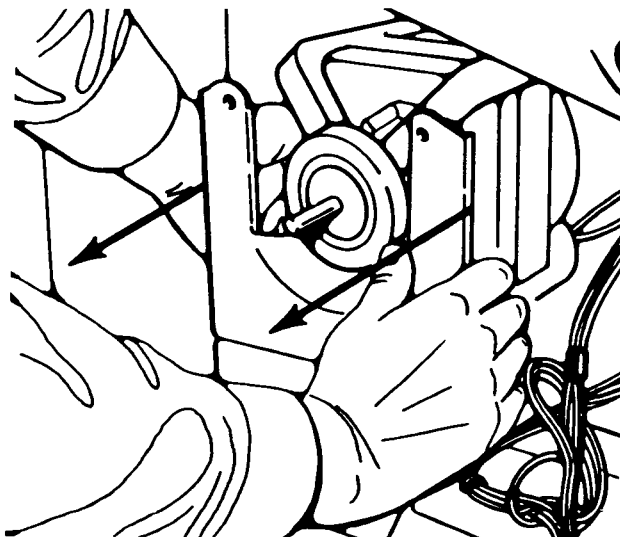
9. Reach under drum and push idler pulley to left to release belt tension.
10. Remove belt from motor pulley.



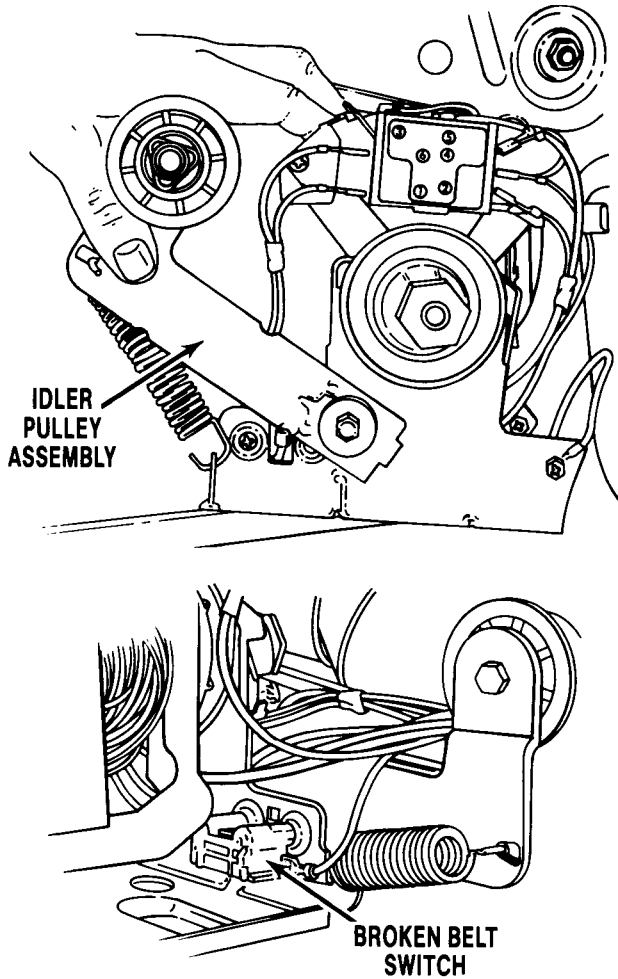
11. Remove two (2) screws holding motor in place.



12. Slide motor to right, out of slots.
14. Disconnect motor wiring harness.



The motor, idler pulley assembly and broken switch can now be removed from the motor bracket.

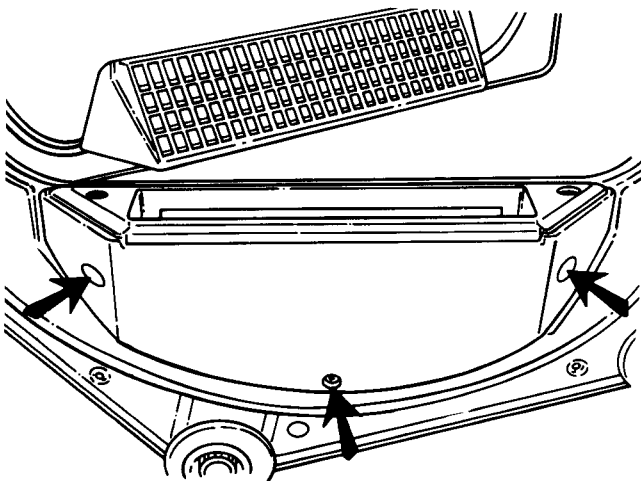


### LINT SCREEN

The lint screen is located inside the drum area just below the door.

**IMPORTANT:** Lint should be removed before each load of laundry is dried.

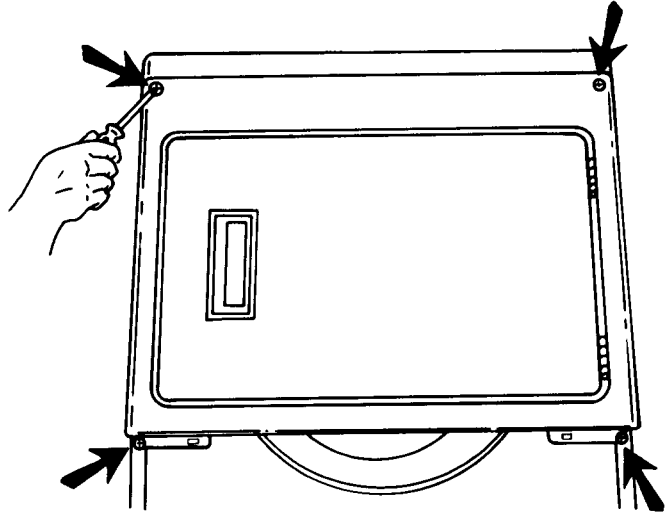
The lint screen assembly is secured to the bulkhead with three (3) screws in the lower drum area.



### FRONT PANEL

To remove front panel:

1. Remove lower access panel.
2. Remove lint duct.
3. Disconnect door switch wiring harness.
4. Remove two (2) screws at bottom of panel.
5. Remove two (2) (Torx T-20) screws at front top of panel.



The drum can be removed after removing the front panel and releasing the belt.

### SUPPORT ROLLERS

Two support rollers are located on the front bulkhead, and two are located on the rear bulkhead.

All of the support rollers are secured to axles with tri-ring clips.

The two rollers on the rear bulkhead work similar to the support rollers on the bulkhead in single unit dryers.

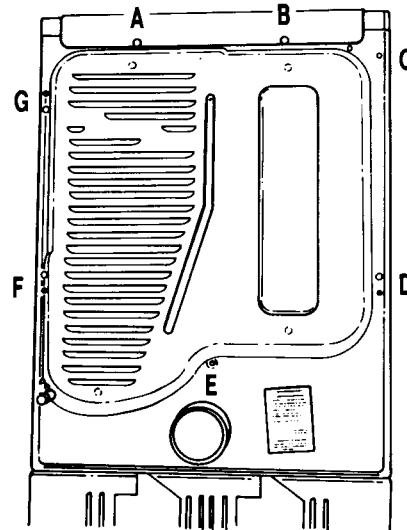
**NOTE:** The shafts (axles) of the rear support rollers can be removed without removing the rear bulkhead, using a 9/16-inch open end wrench. The threads are left-handed.

## REAR BULKHEAD AND HEAT DUCT

The motor, heater box (electric dryers) or burner assembly (gas dryers) and drum must be removed before attempting to remove the rear bulkhead.

The bulkhead is removed by removing the screws that secure it to the back of the unit. The screws are removed from the rear. It is important to start with the top, upper left screw and proceed clockwise, removing each screw in turn.

When replacing the bulkhead, replace the screws in reverse order.



## COLLAR

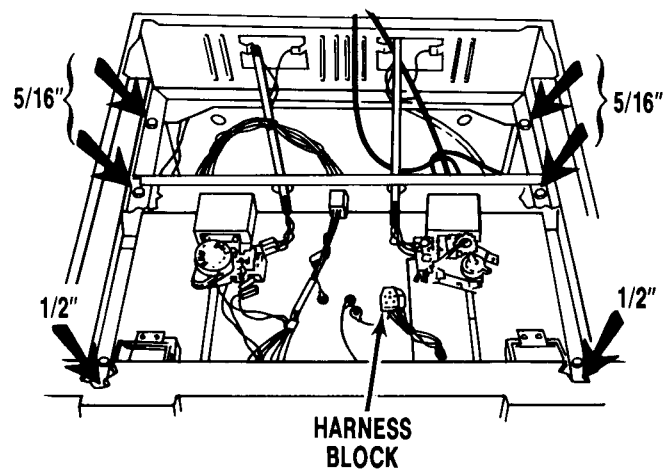
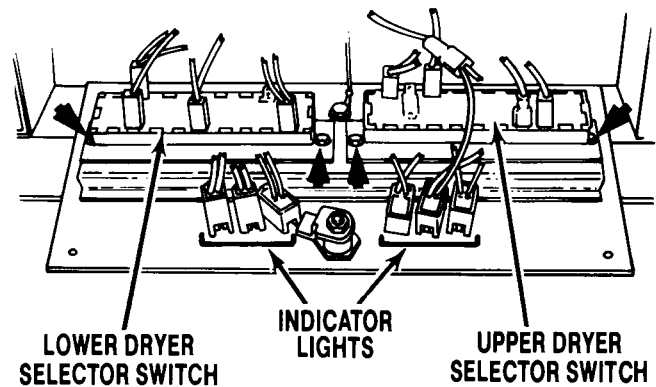
The selector switches and indicator lights are mounted to the control panel in the collar assembly. The control panel components can be accessed by unlocking the control panel and lowering the panel. To gain additional access to the components inside the collar, it is necessary to remove the top unit from the collar assembly.

To access the collar components:

1. Remove the access panel on top unit.
2. Disconnect wiring blocks to the upper unit.
3. Remove two (2) one-half-inch hold down bolts at front corners of upper unit.
4. Slide top unit forward to clear rear foot brackets.
5. WITH THE HELP OF A SECOND PERSON, lift top unit off of collar.

Within the collar are:

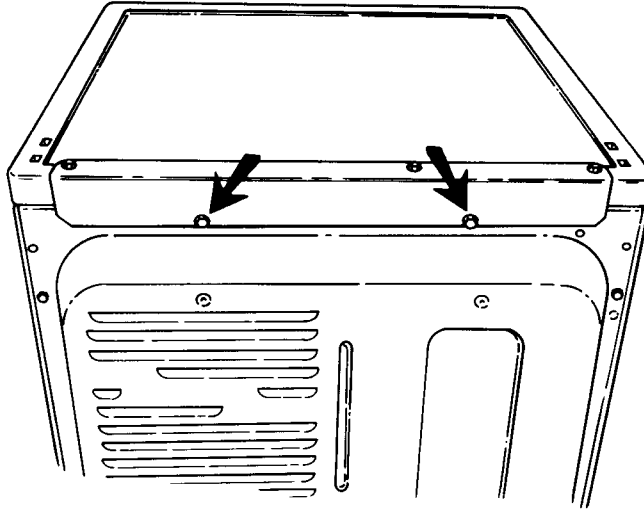
- timers secured to brackets on each side of collar assembly
- control panel assembly
- wiring harness
- terminal blocks
- coin slides and coin vaults (not necessary to remove upper unit to install or remove)



### **DRYER TOP (of upper unit)**

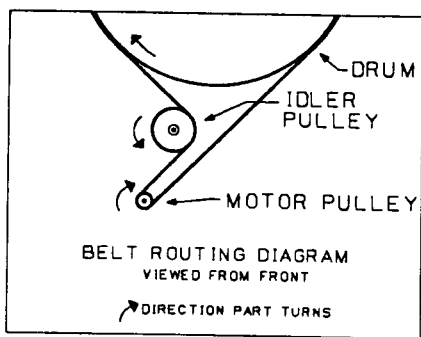
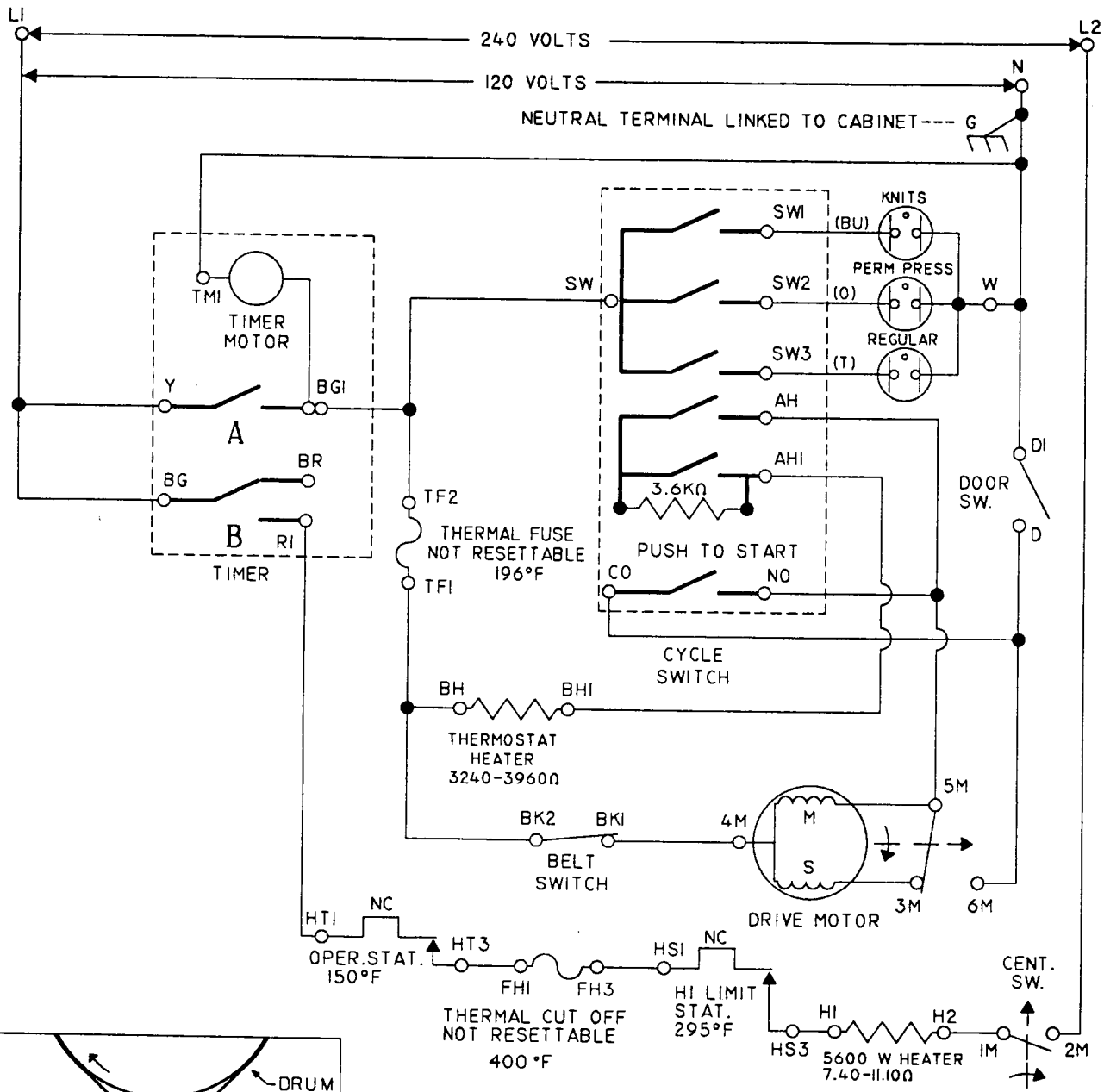
It is generally not necessary to remove the top of the stacked dryers. If it is necessary:

- 1.** Remove two (2) screws at top rear of dryer.
- 2.** Lift top, and slide forward to release from brackets located at the front.



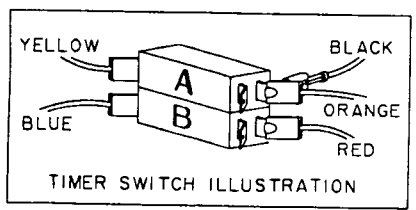


# WIRING DIAGRAM Electric Stacked Dryers



CYCLE SWITCH				
CONTACT	LOW	MED	HIGH	P.T.S.
AH-AHI		3.6KΩ		
SW-SW1				
SW-SW2				
SW-SW3				
NO-CO				(M)

TIMER SCHEDULE IN MINUTES		
SWITCH CLOSED		OFF
Y-BGI	30	
BG-BR		2
BG-RI	28	

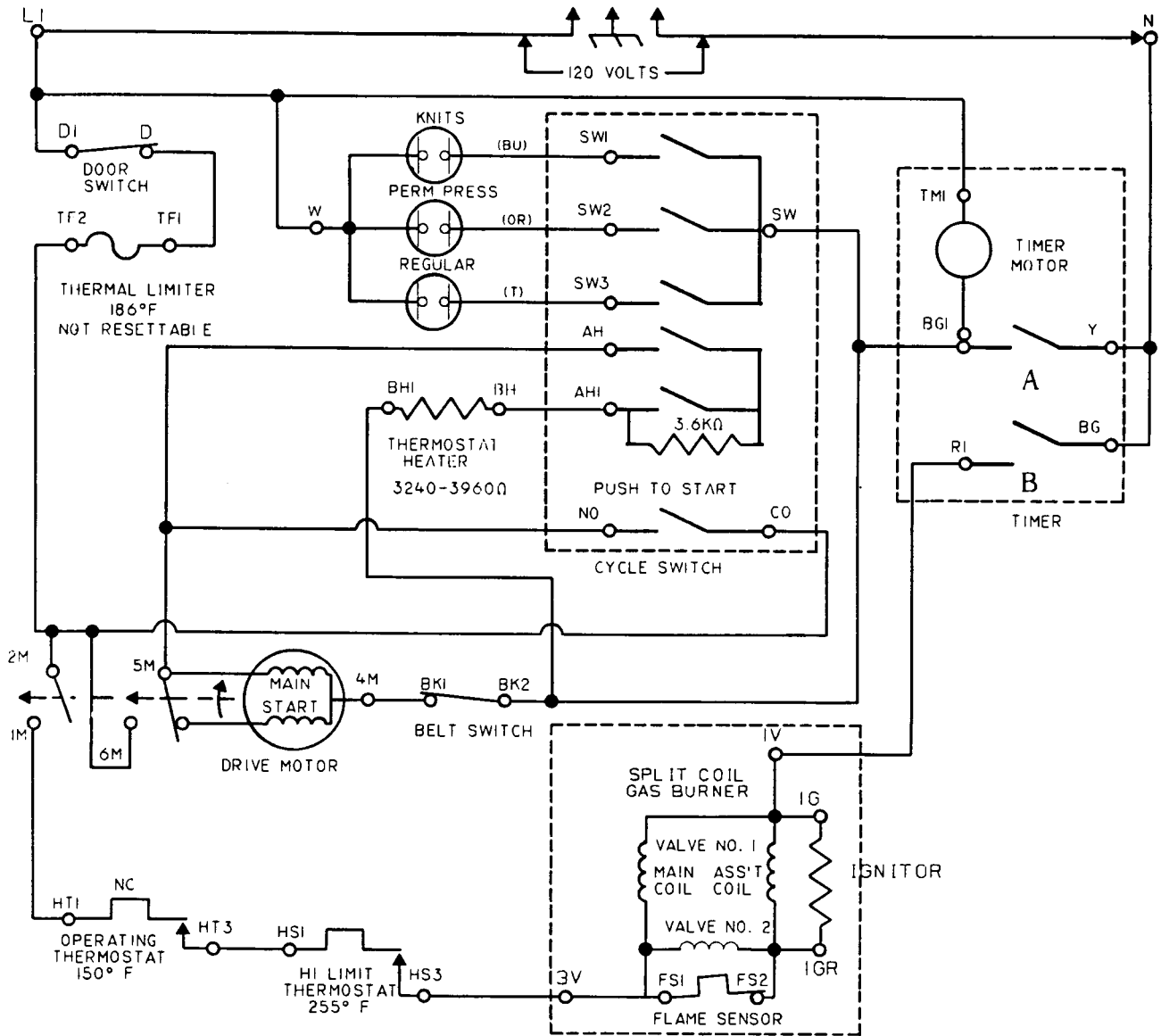


⚠ WARNING

SHOCK HAZARD

Disconnect from electric supply before servicing  
Replace all panels before operating

# WIRING DIAGRAM Gas Stacked Dryers

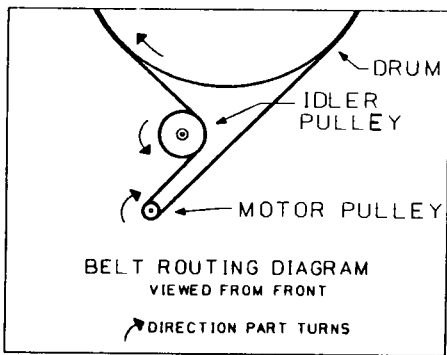


**⚠ WARNING**

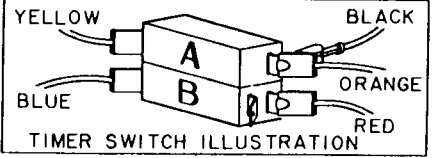
**SHOCK HAZARD**

Disconnect from electric supply before servicing

Replace all panels before operating



TIMER SCHEDULE IN MINUTES		
SWITCH CLOSED		OFF
Y-BGI	30	
BG-BR		2
BG-RI	28	



CYCLE SWITCH				
CONTACT	LOW	MED	HIGH	P.T.S.
AH-AHI		3.6KΩ		
SW-SW1				
SW-SW2				
SW-SW3				
NO-CO				(M)