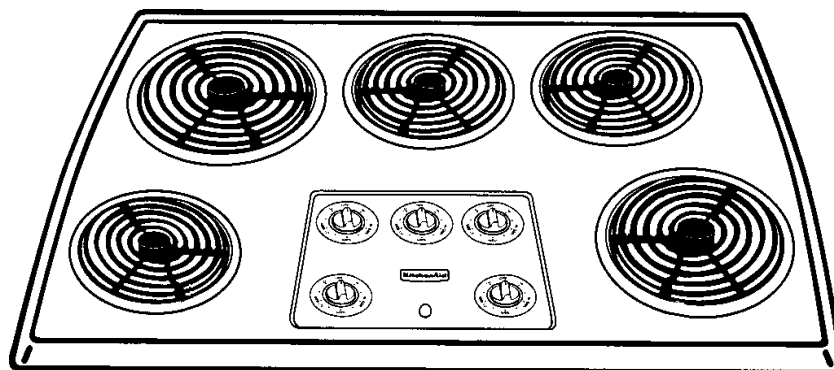


# WHIRLPOOL & KITCHENAID BUILT-IN ELECTRIC COOKTOPS



JOB AID  
Part No. 4317269

## FORWARD

This Job Aid, "Whirlpool & KitchenAid Built-In Electric Cooktops," (Part No. 4317269), provides the technician with information on the installation and service of Whirlpool & KitchenAid Built-In Electric Cooktops. It is to be used as a training Job Aid and Service Manual. For specific information on the model being serviced, refer to the "Use and Care Guide," or "Tech Sheet" provided with the cooktop.

The Wiring Diagrams used in this Job Aid are typical and should be used for training purposes only. Always use the Wiring Diagram supplied with the product when servicing the unit.

## GOALS AND OBJECTIVES

The goal of this Job Aid is to provide detailed information that will enable the service technician to properly diagnose malfunctions and repair Built-In Electric Cooktops.

The objectives of this Job Aid are to:

- Understand and follow proper safety precautions.
- Successfully troubleshoot and diagnose malfunctions.
- Successfully perform necessary repairs.
- Successfully return the cooktop to proper operational status.

**WHIRLPOOL CORPORATION assumes no responsibility for any repair made on our products by anyone other than Authorized Factory Service Technicians.**

Copyright 1999, Whirlpool Corporation, Benton Harbor, MI 49022

# Table of Contents

	<b>PAGE</b>
SPECIFICATIONS .....	1-1
INSTALLATION HIGHLIGHTS .....	2-1
Electrical Requirements .....	2-1
Electrical Connections .....	2-2
Installation .....	2-4
COMPONENT ACCESS .....	3-1
Component Locations .....	3-1
Removing The Maintop .....	3-2
Removing The Indicator Light, An Element Control, A Coil Receptacle, & The T.O.D. ....	3-4
Removing The Ceramic Glass Maintop .....	3-6
COMPONENT TESTING .....	4-1
WIRING DIAGRAMS .....	5-1
TECH TIPS .....	6-1

# KITCHENAID MODEL & SERIAL NUMBER DESIGNATIONS

## MODEL NUMBER

	K	E	C	S	16	1	G	BL	0
<b>MODEL NUMBER</b>									
INTERNATIONAL SALES IND. OR MARKETING CHANNEL IF PRESENT									
<b>K=KITCHENAID BRAND</b>									
<b>PRODUCT IDENTIFICATION:</b> EC=ELECTRIC COOKTOPS GC=GAS COOKTOPS									
<b>MERCHANDISING SCHEME</b>									
C=CERAMIC GLASS D=DOWNDRAFT VENT G=GRILL/GRIDDLE M=MODULAR DOWNDRAFT N=INTERNATIONAL COLLECTION P=PROFESSIONAL/COMMERCIAL S=STANDARD/PORCELAIN METAL T=TEMPERED GLASS X=208 VOLT E=ELECTRONICS									
<b>CAPACITY/SIZE /SERIES/CONFIG</b>									
1ST POSITION									
1=STANDARD									
2=GRILL GRIDDLE									
3=TEMPERED GLASS									
4=COMMERCIAL									
5=CERAMIC GLASS									
8=MODULAR/DOWNDRAFT									
0=2 BURNER/ELEMENT SYSTEM									
2ND POSITION									
0=30" WIDE									
3=33" WIDE									
6=36" WIDE									
2=42" OR 12" WIDE									
5=15" WIDE									
<b>FEATURES</b>									
0=STANDARD ELEMENTS/BURNERS									
1=RADIANT ELEMENTS									
2=DUAL ELEMENTS									
3=									
4=									
5=SEALED BURNERS/CAST ELEMENTS									
6=5 BURNERS/ELEMENTS									
7=HALOGEN ELEMENTS/6 BURNERS									
8=TOUCH CONTROLS									
9=INDUCTION									
<b>YEAR OF INTRODUCTION</b>									
G=1998 H=1999 J=2000									
<b>COLOR CODE</b>									
AL = Almond SS = Stainless									
BL = Black WH = White									
BT = Biscuit									
<b>ENGINEERING CHANGE (NUMERIC)</b>									

## SERIAL NUMBER

<b>SERIAL NUMBER</b>	X	H	07	1	2	3	4	5
<b>OXFORD</b>								
<b>YEAR OF INTRODUCTION:</b> H = 1998, J = 1999, K = 2000								
<b>WEEK OF PRODUCTION</b> (7th WEEK)								
<b>PRODUCT SEQUENCE NUMBER</b>								

# WHIRLPOOL MODEL & SERIAL NUMBER DESIGNATIONS

## MODEL NUMBER

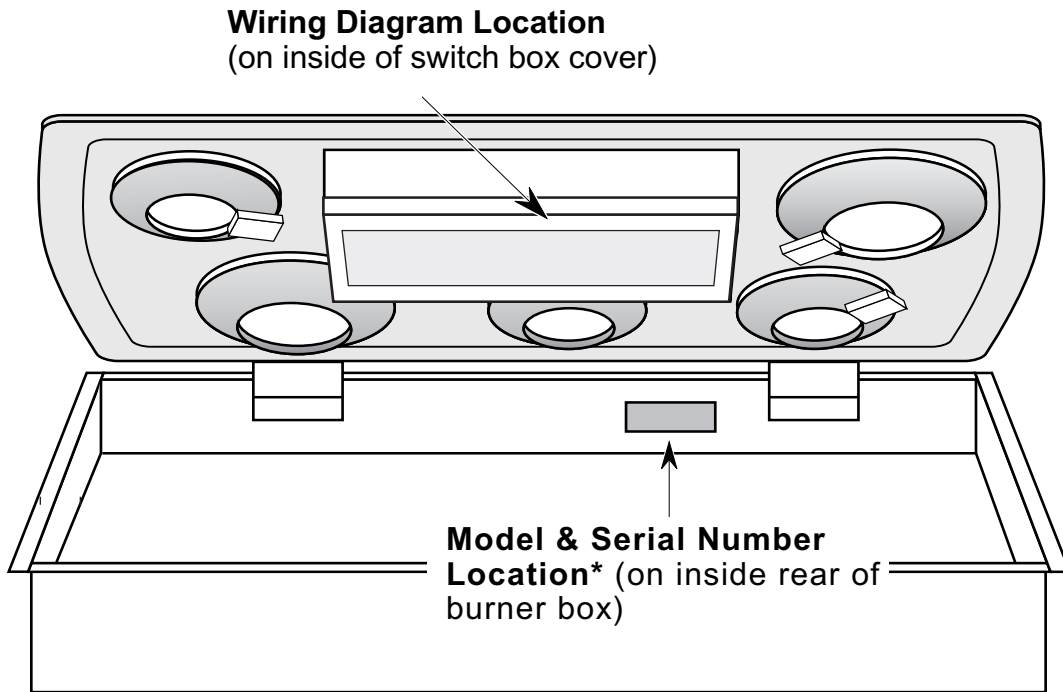
	R	C	S	30	0	4	G	N	----
<b>MODEL NUMBER</b>									
INTERNATIONAL SALES IND. OR MARKETING CHANNEL IF PRESENT									
<b>PRODUCT GROUP:</b> R = ELECTRIC COOKING PRODUCTS S = GAS COOKING PRODUCTS G = WHIRLPOOL GOLD RANGE									
<b>PRODUCT IDENTIFICATION:</b> C = BUILT-IN COOKTOP J = GOLD ELECTRIC COOKTOP G = GOLD GAS COOKTOP									
<b>CONFIGURATION:</b> S = PORCELAIN / STEEL TOP T = TEMPERED GLASS TOP C = CERAMIC GLASS TOP M = MODULAR DOWNDRAFT									
<b>MODEL SIZE:</b> 20 = 20" 30 = 30" 36 = 36"									
<b>FEATURE VARIATIONS:</b> 0 = LOW SPEED COIL ELECTRIC / OPEN-LOW END BURNER GAS / OPEN BAYS 1 = HIGH SPEED COIL ELECTRIC / SEALED BURNERS 2 = CERAMIC RADIANT ELECTRIC 3 = CERAMIC RADIANT / DUAL 4 = MODULAR ----- 0 = NO ELEMENTS / BURNERS 2 = TWO ELEMENT / BURNER 4 = FOUR ELEMENT / BURNER 5 = FIVE ELEMENT / BURNER									
<b>YEAR OF INTRODUCTION</b> G = 1998 H = 1999 J = 2000									
<b>COLOR CODE</b> B = Black                      S = Stainless Steel N = Almond                    Z = Almond on Almond Q = White on White        W = White									
<b>ENGINEERING CHANGE (NUMERIC)</b>									

## SERIAL NUMBER

<b>SERIAL NUMBER</b>	X	H	07	1	2	3	4	5
OXFORD								
<b>YEAR OF INTRODUCTION:</b> H = 1998, J = 1999, K = 2000								
<b>WEEK OF PRODUCTION</b> (7th WEEK)								
<b>PRODUCT SEQUENCE NUMBER</b>								

# MODEL & SERIAL NUMBER LABEL AND WIRING DIAGRAM LOCATIONS

The Model/Serial Number label and Wiring Diagram locations are shown below.



\* Whirlpool models & KitchenAid Ceramic glass models located on bottom of burner box.

## IMPORTANT SAFETY INFORMATION

### Your safety and the safety of others is very important.

Important safety messages have been provided in this Job Aid. Always read and obey all safety messages.



This is the safety alert symbol.

This symbol alerts you to hazards that can kill or hurt you and others.

All safety messages will be preceded by the safety alert symbol and the word **“WARNING.”**

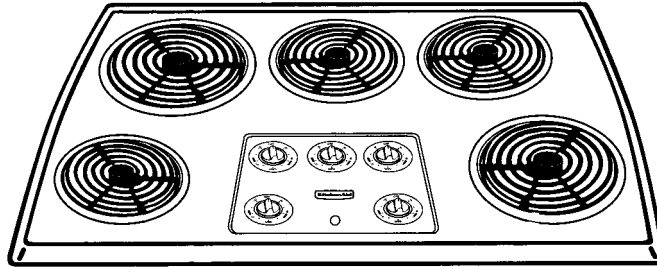
All safety messages will identify the hazard, tell you how to reduce the chance of injury, and tell you what can happen if the instructions are not followed.

— NOTES —



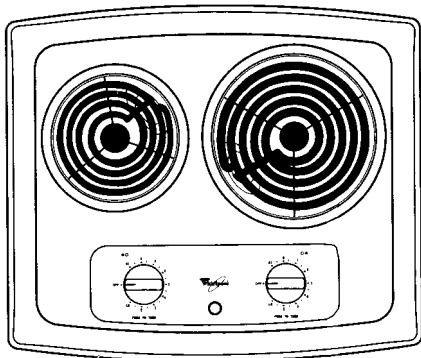
# SPECIFICATIONS

## KITCHENAID MODEL ELECTRIC PORCELAIN/METAL COIL COOKTOPS

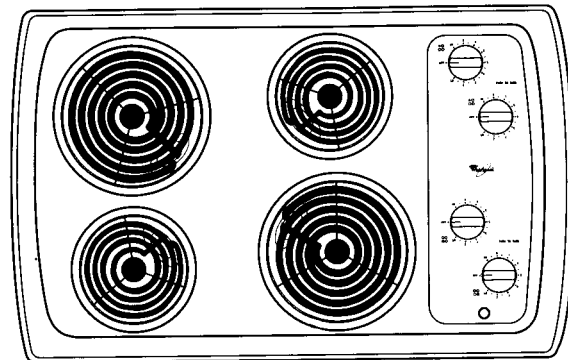


KECS100G & KECS161G

## WHIRLPOOL MODEL ELECTRIC PORCELAIN/METAL COIL COOKTOPS

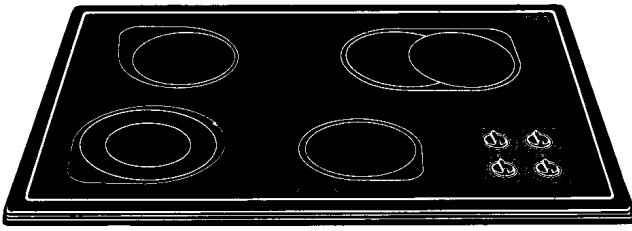


RCS2002G & RCS2012G

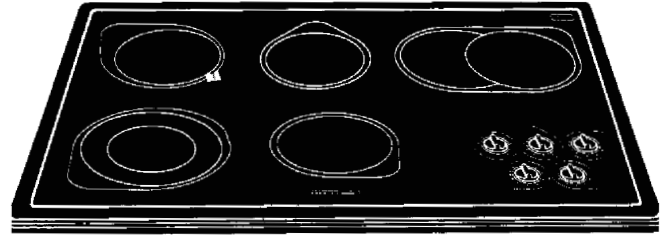


RCS3004G, RCS3014G, &  
RCS3614G

## KITCHENAID MODEL ELECTRIC CERAMIC COOKTOPS

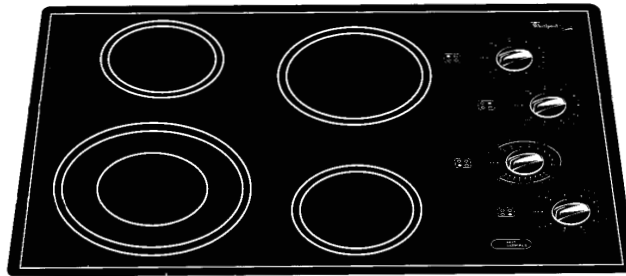


KECC501G, KECC502G,  
YKECC502G, KECC507G, &  
YKECC507G



KECC562G, KECC567G &  
YKECC567G

## WHIRLPOOL MODEL ELECTRIC CERAMIC COOKTOPS



RCC3024G, GJC3034G, &  
GJC3634G

## 20", 30", & 36" ELECTRIC PORCELAIN / METAL COIL COOKTOPS

SIZE	KITCHENAID		WHIRLPOOL				
	30"	36"	20"	20"	30"	30"	36"
MODEL NUMBER	KECS100G	KECS161G	RCS2002G	RCS2012G	RCS3004G	RCS3014G	RCS3614G
Colors Available	BL/WH/AL/SS	BL/WH/AL/SS	S/W	S/W	W/N/S	B/Q/Z/S	B/Q/Z/S
<b>Controls</b>							
Push-To-Turn	Yes - 4	Yes - 5	Yes - 2	Yes - 2	Yes - 4	Yes - 4	Yes - 4
Infinite	Yes - 4	Yes - 5	Yes - 2	Yes - 2	Yes - 4	Yes - 4	Yes - 4
Power "On" Light(s)	Yes-1	Yes-1	Yes-1	Yes-1	Yes-1	Yes-1	Yes-1
<b>Elements</b>							
Coil	Yes - 4	Yes - 5	Yes - 2	Yes - 2	Yes - 4	Yes - 4	Yes - 4
Right Front	2600W/1950W	2600W/1950W	1500W	2100W/1575W	2100W/1575W	2100W/1575W	2100W/1575W
Left Front	1250W/940W	1250W/940W	900W	1250W/940W	1250W/940W	1500W/1125W	1500W/1125W
Right Rear	1250W/940W	1250W/940W	NA	NA	1250W/940W	1500W/1125W	1500W/1125W
Center Rear	NA	1250W/940W	NA	NA	NA	NA	NA
Left Rear	2100W/1575W	2100W/1575W	NA	NA	2100W/1575W	2100W/1575W	2100W/1575W
High Speed	Yes	Yes	No	Yes-2	No	Yes	Yes
Low Speed	No	No	Yes	No	Yes	No	No
Drip Bowl	Chrome	Chrome	Chrome	Chrome	Chrome	Chrome	Chrome
<b>Surface</b>							
Porcelain/Metal	Yes	Yes	Yes	Yes	Yes	Yes	Yes
Lift-up Top	Yes	Yes	No	No	No	No	No
Support Rod	Double	Double	No	No	No	No	No
<b>Dimensions</b>							
Overall							
Width (Side to Side)							
Front	30"	36"	21"	21"	30"	30"	36"
Middle	31 3/8"	37 1/2"	21"	21"	31 3/8"	31 3/8"	37 1/2"
Depth (Front to Back)	21"	21"	16 1/2" to 18"	16 1/2" to 18"	21"	21"	21"
Height (Top to Bottom)	3 3/8"	3 3/8"	3 3/8"	3 3/8"	3 3/8"	3 3/8"	3 3/8"
Cutout							
Width (Side to Side)	28 7/8"	35"	18 5/8"	18 5/8"	28 7/8"	28 7/8"	35"
Depth (Front to Back)	18 5/8"	18 5/8"	15 1/2"	15 1/2"	18 5/8"	18 5/8"	18 5/8"
Height (Top to Bottom)	2 7/8"	2 7/8"	2 7/8"	2 7/8"	2 7/8"	2 7/8"	2 7/8"
Mounting Hardware	Yes	Yes	Yes	Yes	Yes	Yes	Yes
<b>Other Specifications</b>							
Electrical	240/208 Volts, Single Phase, 60 Hz	240/208 Volts, Single Phase, 60 Hz	120 Volts, Single Phase, 60 Hz	240/208 Volts, Single Phase, 60 Hz	240/208 Volts, Single Phase, 60 Hz	240/208 Volts, Single Phase, 60 Hz	240/208 Volts, Single Phase, 60 Hz
Circuit(Amps)	40	40	20 Amp	30 Amp	30 Amp	30 Amp	30 Amp
Total Connected Load(240/208)	7.2 kw/5.4 kw	8.4 kw/6.3 kw	NA	3.4kw/2.5kw	6.7 kw/5.0 kw	7.2 kw/5.4 kw	7.2 kw/5.4 kw
Power Cord/Conduit	3 1/2 Foot, 3 Wire	3 1/2 Foot, 3 Wire	3 1/2 Foot, Power Cord	3 1/2 Foot, 3 Wire	3 1/2 Foot, 3 Wire	3 1/2 Foot, 3 Wire	3 1/2 Foot, 3 Wire
Agency Approvals	UL	UL	UL	UL	UL	UL/CSA	UL
Approximate Net Weight	29 lbs.	32 lbs.	15 lbs.	15lbs.	29 lbs.	29 lbs.	43 lbs.
Approval Over Built-in Ovens	Yes	Yes	No	No	Yes	Yes	Yes
Approval With Downdraft	Yes	Yes	Yes	Yes	Yes	Yes	Yes
Warranty	In Use & Care	In Use & Care	In Use & Care	In Use & Care	In Use & Care	In Use & Care	In Use & Care
1 Year Full	Yes	Yes	Yes	Yes	Yes	Yes	Yes
5 Year Limited	Elements	Elements	No	No	No	No	No
<b>Accessories</b>							
	NA	NA	NA	NA	NA	NA	NA
<b>Literature</b>							
Use & Care Guide	3191536	3191536	3191535	3191535	3191536	3191536	3191536
Installation Instructions	3191538	3191538	3191538	3191538	3191539	3191539	3191539

# 30" & 36" ELECTRIC CERAMIC COOKTOPS

	KITCHENAID					WHIRLPOOL		
SIZE	30"	30"	30"	36"	36"	30"	30"	36"
MODEL NUMBER	KECC501G	KECC502G	KECC507G	KECC562G	KECC567G	RCC3024G	GJC3034G	GJC3634G
CANADIAN MODEL		YKECC502G	YKECC507G		YKECC567G			
Colors Available	BL/WH/AL	BL/WH/AL	BL/WH/AL/BT	BL/WH/AL	BL/WH/AL/BT	B/Q/Z	B/Q/S/Z	B/Q/S/Z
<b>Controls</b>								
Push-To-Turn	Yes - 4	Yes - 4	Yes - 4	Yes - 5	Yes - 5	Yes - 4	Yes - 4	Yes - 4
Infinite	Yes - 4	Yes - 4	Yes - 4	Yes - 5	Yes - 5	Yes - 4	Yes - 4	Yes - 4
Power "On" Light(s)	Yes-1	Yes-1	Yes-1	Yes-1	Yes-1	With "Hot" Ind.	With "Hot" Ind.	With "Hot" Ind.
Hot Surface Indicators	Yes-4	Yes-4	Yes-4	Yes-5	Yes-5	Yes-1	Yes-1	Yes-1
<b>Elements</b>								
Ceramic	Yes - 4	Yes - 4	Yes - 4	Yes-5	Yes-5	Yes - 4	Yes - 4	Yes - 4
Right Front	1200W/900W Radiant	1200W/900W Radiant	1200W/900W Halogen	1200W/900W Radiant	1200W/900W Halogen	1200W/900W Radiant	1500W/1125W Radiant	1500W/1125W Radiant
Left Front	2500W/1875W Radiant	2400W/1800W Dual Round	2400W/1800W Dual Round	2400W/1800W Dual Round	2400W/1800W Dual Round	2500W/1875W Radiant	2400W/1800W Dual Round	2400W/1800W Dual Round
Right Rear	1800W/1350W Radiant	1800W/1350W Dual Oval	1800W/1350W Dual Oval	1800W/1350W Dual Oval	1800W/1350W Dual Oval	1800W/1350W Radiant	1800W/1350W Radiant	1800W/1350W Radiant
Center Rear	NA	NA	NA	1500W/1125W Radiant	1500W/1125W Radiant	NA	NA	NA
Left Rear	1500W/1125W Radiant	1500W/1125W Radiant	1500W/1125W Halogen	1500W/1125W Radiant	1500W/1125W Halogen	1200W/900W Radiant	1200W/900W Radiant	1200W/900W Radiant
High Speed	Yes	Yes	Yes	Yes	Yes	Yes	Yes	Yes
<b>Surface</b>								
Ceramic Glass	Yes	Yes	Yes	Yes	Yes	Yes	Yes	Yes
Lift-up Top	No	No	No	No	No	No	No	No
Cooktop Trim	No	No	No	No	No	Yes	Yes	Yes
<b>Dimensions</b>								
Overall								
Width (Side to Side)								
Front	30"	30"	30"	36"	36"	30"	30"	36"
Middle	31 1/2"	31 1/2"	31 1/2"	37 1/2"	37 1/2"	30"	30"	36"
Depth (Front to Back)	21"	21"	21"	21"	21"	21"	21"	21"
Height (Top to Bottom)	3 1/16"	3 1/16"	3 1/16"	3 1/16"	3 1/16"	3 1/16"	3 1/16"	3 1/16"
Cutout								
Width (Side to Side)	29 1/2"	29 1/2"	29 1/2"	35 1/2"	35 1/2"	29 1/2"	29 1/2"	35 1/2"
Depth (Front to Back)	20 1/2"	20 1/2"	20 1/2"	20 1/2"	20 1/2"	20 1/2"	20 1/2"	20 1/2"
Height (Top to Bottom)	2 7/8"	2 7/8"	2 7/8"	2 7/8"	2 7/8"	2 7/8"	2 7/8"	2 7/8"
Mounting Hardware	Yes	Yes	Yes	Yes	Yes	Yes	Yes	Yes
<b>Other Specifications</b>								
Electrical	240/208 Volts, Single Phase, 60 Hz	240/208 Volts, Single Phase, 60 Hz	240/208 Volts, Single Phase, 60 Hz	240/208 Volts, Single Phase, 60 Hz	240/208 Volts, Single Phase, 60 Hz	240/208 Volts, Single Phase, 60 Hz	240/208 Volts, Single Phase, 60 Hz	240/208 Volts, Single Phase, 60 Hz
Circuit	30	30	30	40	40	30	30	30
Total Connected Load(240/208)	6.7 kw/5.0 kw	6.8 kw/5.1 kw	6.9 kw/5.2 kw	8.2 kw/6.1 kw	8.3 kw/6.2 kw	6.5 kw/4.9 kw	6.7 kw/5.0 kw	6.7 kw/5.0 kw
Power Cord/Conduit	3 1/2 Foot, 3 Wire	3 1/2 Foot, 3 Wire	3 1/2 Foot, 3 Wire	3 1/2 Foot, 3 Wire	3 1/2 Foot, 3 Wire	3 1/2 Foot, 3 Wire	3 1/2 Foot, 3 Wire	3 1/2 Foot, 3 Wire
Agency Approvals	UL/CSA	UL/CSA	UL/CSA	UL/CSA	UL/CSA	UL/CSA	UL/CSA	UL
Approximate Net Weight	30 lbs.	30 lbs.	30 lbs.	35 lbs.	35 lbs.	30 lbs.	30 lbs.	35 lbs.
Approval Over Built-in Ovens	Yes	Yes	Yes	Yes	Yes	Yes	Yes	Yes
Approval With Downdraft	Yes	Yes	Yes	Yes	Yes	Yes	Yes	Yes
Warranty	In Use & Care	In Use & Care	In Use & Care	In Use & Care	In Use & Care	In Use & Care	In Use & Care	In Use & Care
1 Year Full	Yes	Yes	Yes	1 Year Full	1 Year Full	Yes	Yes	Yes
5 Year Limited	Yes-Glass Elements	Yes-Glass Elements	Yes-Glass Elements	Yes-Glass Elements	Yes-Glass Elements	Yes-Glass	Yes-Glass	Yes-Glass
<b>Accessories</b>								
NA	NA	NA	NA	NA	NA	NA	NA	NA
<b>Literature</b>								
Use & Care Guide	3191524	3191524	3191524	3191524	3191524	3191770	3191770	3191770
Use and Care Guide - French		3191525	3191525		3191525			
Installation Instructions	3191711	3191711	3191711	3191771	3191771	3191771	3191771	3191771

# INSTALLATION HIGHLIGHTS

## ELECTRICAL REQUIREMENTS

If codes permit and a separate ground wire is used, it is recommended that a qualified electrician determine that the ground path is adequate.

Do not ground to a gas pipe.

Check with a qualified electrician if you are not sure whether the cooktop is properly grounded.

Do not have a fuse in the neutral or ground circuit.

### 240 VOLT COOKTOP

1. A three-wire or four-wire, single phase, 240-volt, 60-Hz, AC-only electrical supply is required on a separate, 40-ampere circuit, fused on both sides of the line. A time-delay fuse or circuit breaker is recommended. The fuse size must not exceed the circuit rating of the appliance specified on the model/serial rating plate located on the bottom of the cooktop.

THE COOKTOP MUST BE CONNECTED WITH COPPER WIRE ONLY.

2. Wire sizes and connections must conform to the requirements of the National Electrical Code ANSI/NFPA 70 — latest edition\*\*, or CSA Standards C22.1-94, Canadian Electrical Code, Part 1 and C22.2 No. 0-M91 — latest edition\*\*\* and all local codes and ordinances.
3. The cooktop should be connected directly to the fused disconnect or circuit breaker box through flexible, armored or non-metallic sheathed, copper cable. The flexible, armored cable extending from the fuse box or circuit breaker box should be connected directly to the junction box.
4. Locate the junction box to allow as much slack as possible between the junction box and the cooktop so that the cooktop can be moved if servicing is ever necessary. **Do Not cut the conduit.**
5. A U.L. - or C.S.A.-listed conduit connector must be provided at each end of the power supply cable (at the cooktop and at the junction box).

Copies of the standards listed above may be obtained from:

\*\*National Fire Protection Association  
Batterymarch Park  
Quincy, Massachusetts 02269

\*\*\*Canadian Standard Association  
178 Rexdale Boulevard  
Etobicoke, Ontario M9W 1R3

## 120 VOLT COOKTOP

A 120-volt, 60-Hz, AC-only, 20-ampere, fused electrical supply is required. (Time-delay fuse or circuit breaker is recommended.) It is recommended that a separate circuit serving only this appliance be provided. A NEMA 5-20R, 3-prong ground-type outlet must be used.

### **WARNING**



#### **Electrical Shock Hazard**

**Plug into a grounded 3-prong outlet.**

**Do not remove ground prong.**

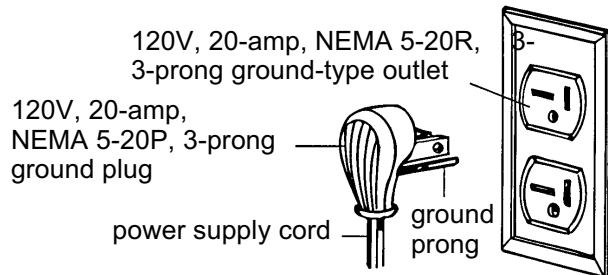
**Do not use an adapter.**

**Do not use an extension cord.**

**Failure to follow these instructions can result in death, fire, or electrical shock.**

## Recommended ground method

For your personal safety, this cooktop must be grounded. This cooktop is equipped with a power supply cord having a NEMA 5-20P, 3-prong ground plug. To minimize possible shock hazard, the cord must be plugged into a mating, NEMA 5-20R, 3-prong ground-type outlet, grounded in accordance with the National Electrical Code, ANSI/NFPA 70—latest edition, and local codes and ordinances.



If a mating outlet is not available, it is the personal responsibility and obligation of the customer to have a properly grounded, NEMA 5-20R, 3-prong outlet installed by a qualified electrician.

## ELECTRICAL CONNECTIONS

### **WARNING**



#### **Electrical Shock Hazard**

**Turn power supply off before connecting wires.**

**Use 8-gauge solid copper wire.**

**Electrically ground cooktop.**

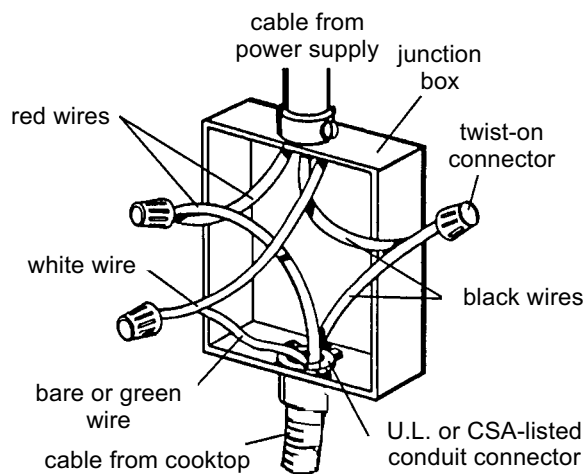
**Failure to follow these instructions can result in death, fire, or electrical shock.**

**This cooktop must be connected to a grounded, metallic permanent wiring system or a ground connector should be connected to the ground terminal or wire lead on the cooktop.**

This cooktop is manufactured with a frame connected, green or bare ground wire. Connect the cooktop cable to the junction box through the U.L. - or C.S.A.-listed conduit connector. Complete electrical connection according to local codes and ordinances.

Where local codes permit connecting the frame-ground conductor to the neutral (white) junction box wire (not used for Canadian installations):

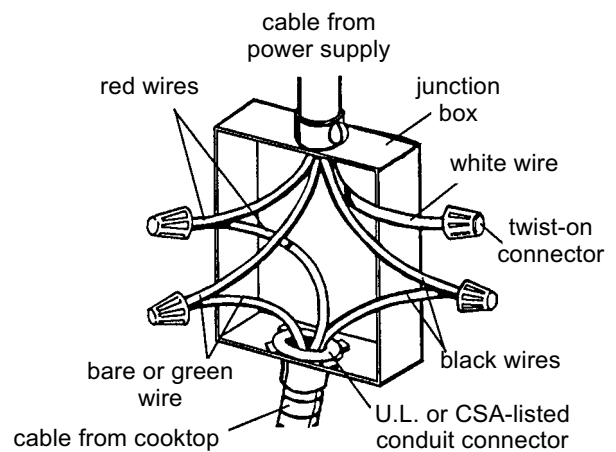
1. **Disconnect the power supply.**
2. Connect the flexible, armored cable from the cooktop to the junction box using a U.L.- or C.S.A.-listed conduit connector and tighten the screws on the conduit connector.
3. Connect the green (or bare) appliance cable wire with the neutral (white) wire in the junction box using a twist-on connector.
4. Connect the two black wires together; then connect the two red wires together with a twist-on connector.



**Grounded Neutral**

Where local codes do not permit connecting the frame-ground conductor to the neutral (white) junction box wire (used for all Canadian installations):

1. **Disconnect the power supply.**
2. Connect the flexible, armored cable from the cooktop to the junction box using a U.L.- or C.S.A.-listed conduit connector, and tighten the screws on the conduit connector.
3. Connect the two black wires together; then connect the two red wires together using a twist-on connector.
4. Connect the green or bare ground wire from the appliance cable to the grounded wire in the junction box, or other grounded connector using a twist-on connector.
5. Install a twist-on connector on the end of the white wire.



**Ungrounded Neutral**

## INSTALLATION

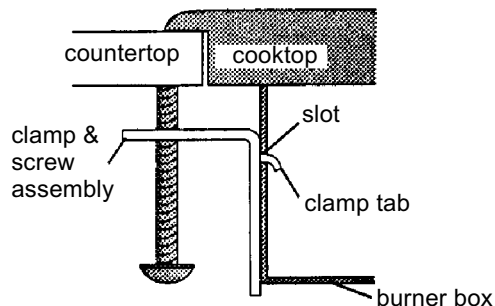
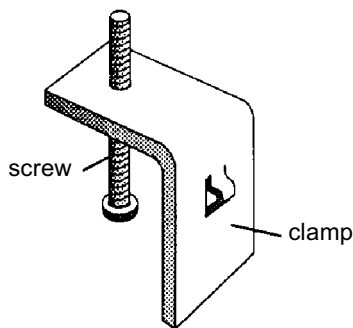
### **! WARNING**

#### **Excessive Weight Hazard**

**Use two or more people to move and install the cooktop.**

**Failure to do so can result in back or other injury.**

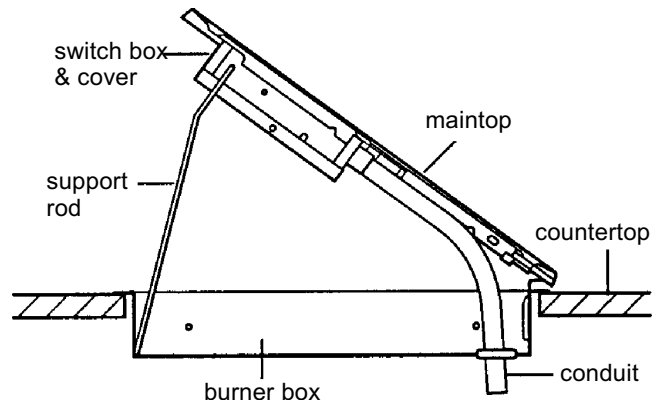
1. Remove the shipping materials and tape from the cooktop. Remove the hardware package from inside the literature bag.
2. Insert the cooktop into the countertop and center it in the cutout. Position the front of the cooktop so that it is parallel to the front edge of the countertop. Make sure that all of the required clearances are met. NOTE: If cooktop is not properly positioned, lift the cooktop off the countertop to make the necessary adjustments.
3. Insert one clamp tab through each slot located on sides of the burner box.



4. Secure the cooktop to the countertop by hand-tightening each screw, then use a screwdriver to tighten each screw by 1 to 1-1/2 more turns. Do not overtighten.

5. **Models (KECS100 & KECS161) Only:** Raise the cooktop as follows:

- a) Remove all elements and reflector bowls.
- b) Place your hands under left and right rear element cutouts and lift the maintop until the Posi-Lock bearings engage in their bracket holes to hold the maintop off the countertop. You will hear a "click" when the Posi-Lock engages.
- c) Lift the front of the maintop and position the support rod so that it rests against the front edge of the burner box.
- d) Check to make sure that there is enough slack in the electrical wiring conduit to properly lift and raise the maintop. NOTE: If you are installing the cooktop over a built-under oven, check to make sure that the maintop can be raised after oven installation is complete.



6. Make the electrical connections as instructed in the "Electrical Connections" beginning on page 2-2.
7. Turn on the power supply to the cooktop.
8. Depending on the model, push in and turn each control knob to the "HI" position or touch "ON" and turn each control knob to the "HI" position. Check the operation of the cooktop elements and indicator lights.



# COMPONENT ACCESS

## COMPONENT LOCATIONS

This section instructs you on how to service each component inside the built-in electric coil cooktops. The components and their locations are shown in Figure 3-1.

NOTE: The KitchenAid Model KECS161 cooktop is shown below, however, the other built-in electric coil cooktop components are identical, and are serviced in the same manner.

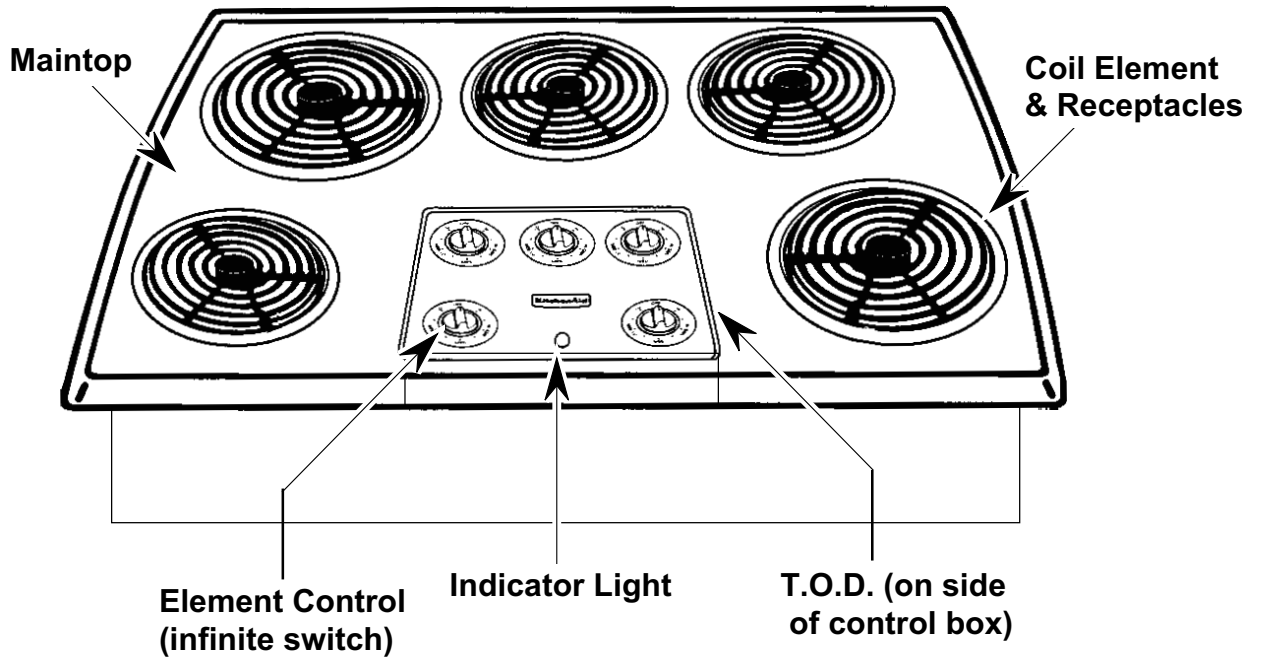


Figure 3-1

## REMOVING THE MAINTOP (Coil Models)

### **! WARNING**

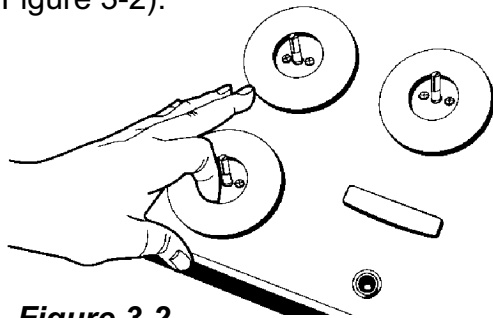
#### **Electrical Shock Hazard**

Disconnect from electrical supply before servicing unit.

Failure to do so could result in death or electrical shock.

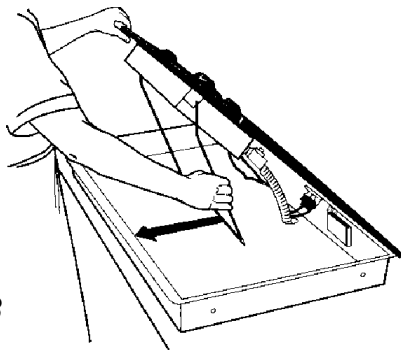
**CAUTION:** When you work on the cooktop, be careful when handling the sheet metal parts. Sharp edges may be present, and you can cut yourself if you are not careful.

1. Turn off the electrical power to the cooktop.
2. Remove the knobs from the control stems.
3. Unsnap the bezels and remove them. To remove a bezel, pull it toward you and lift the tabs out of the slots in the maintop (see Figure 3-2).



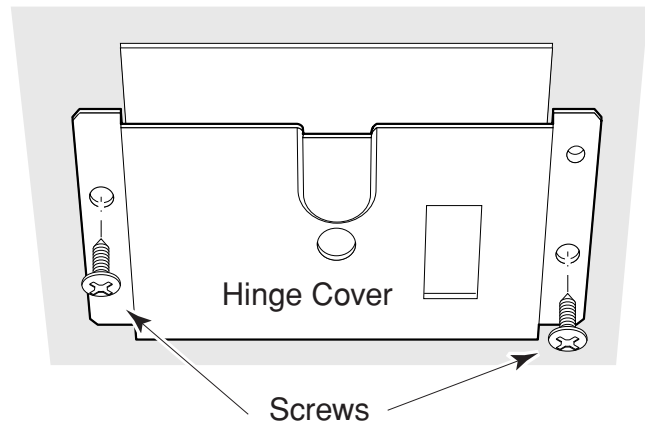
**Figure 3-2**

4. Remove the coil elements and the reflector bowls.
5. Disconnect the conduit wires from the junction box wiring.
6. Raise the maintop and position the support rod against the front of the burner box (see Figure 3-3).



**Figure 3-3**

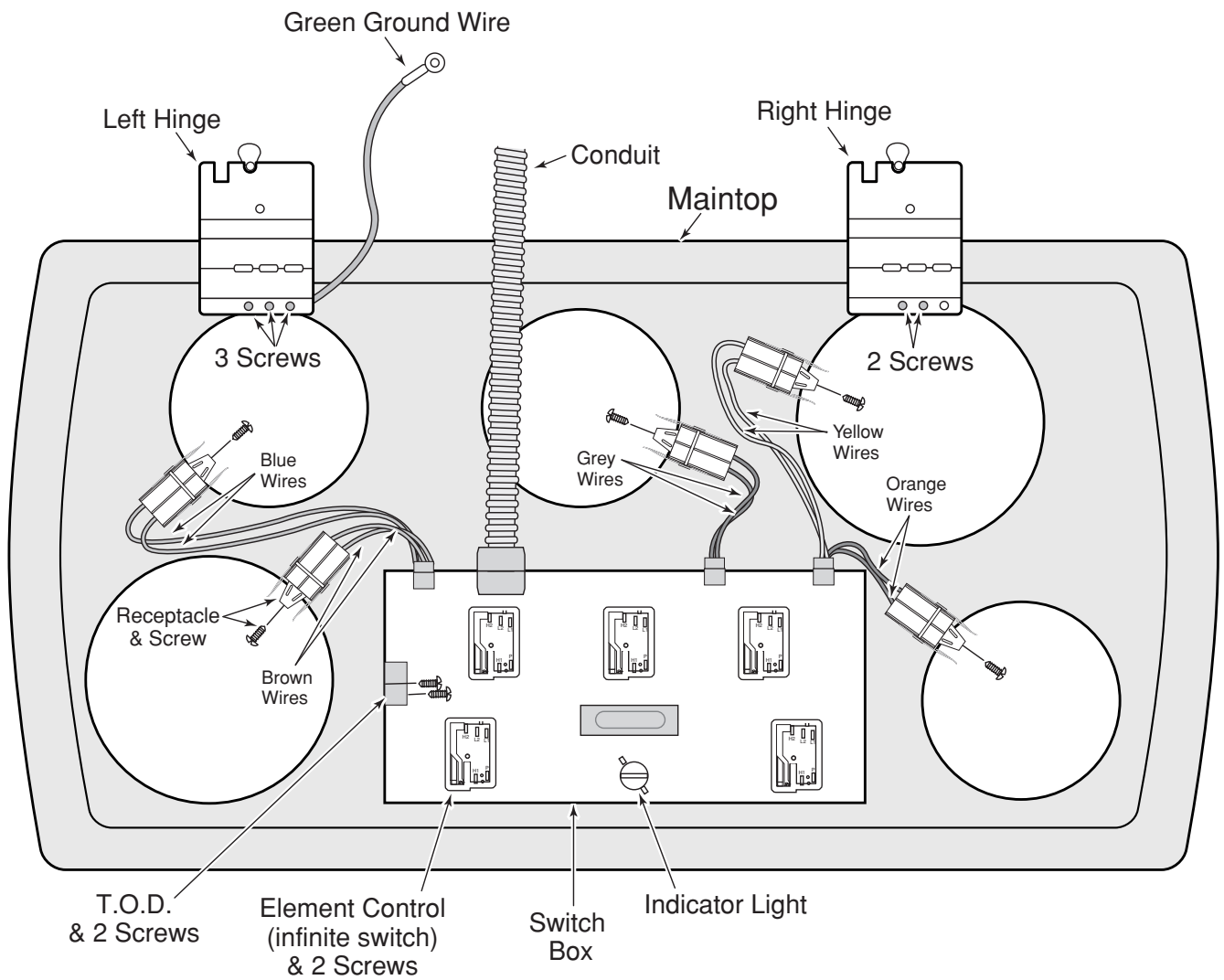
7. Remove the two screws from each of the two hinge covers at the rear of the burner box (see Figure 3-4).



**Figure 3-4**

Refer to Figure 3-5 for the following steps.

8. Remove the green ground wire screw from the bottom of the burner box (the other end is attached to the right hinge).
9. Lift the front of the maintop and unclip the support rod from the control box.
10. Lift the maintop assembly off the burner box and pull the conduit out of the burner box opening, then position the maintop upside down (as shown in Figure 3-5) on a covered work surface.
11. If you are replacing the maintop, remove the screws from the following components, and reinstall each one on the new maintop as you remove them:
  - Two hinges & ground wire
  - Four coil element receptacles
  - Indicator light (remove 2 wires from terminals)
  - Switch box assembly



**Figure 3-5**

# REMOVING THE INDICATOR LIGHT, AN ELEMENT CONTROL, A COIL RECEPTACLE, & THE T.O.D.

## **! WARNING**

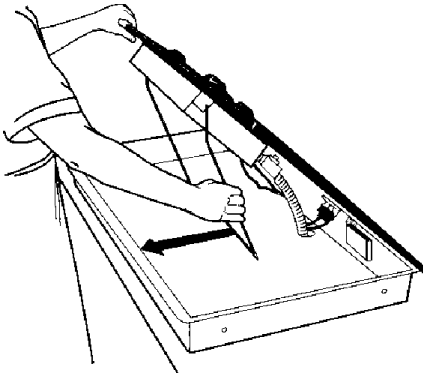
### **Electrical Shock Hazard**

Disconnect from electrical supply before servicing unit.

Failure to do so could result in death or electrical shock.

**CAUTION:** When you work on the cooktop, be careful when handling the sheet metal parts. Sharp edges may be present, and you can cut yourself if you are not careful.

1. Turn off the electrical power to the cooktop.
2. Raise the maintop and position the support rod against the front of the burner box (see Figure 3-6).

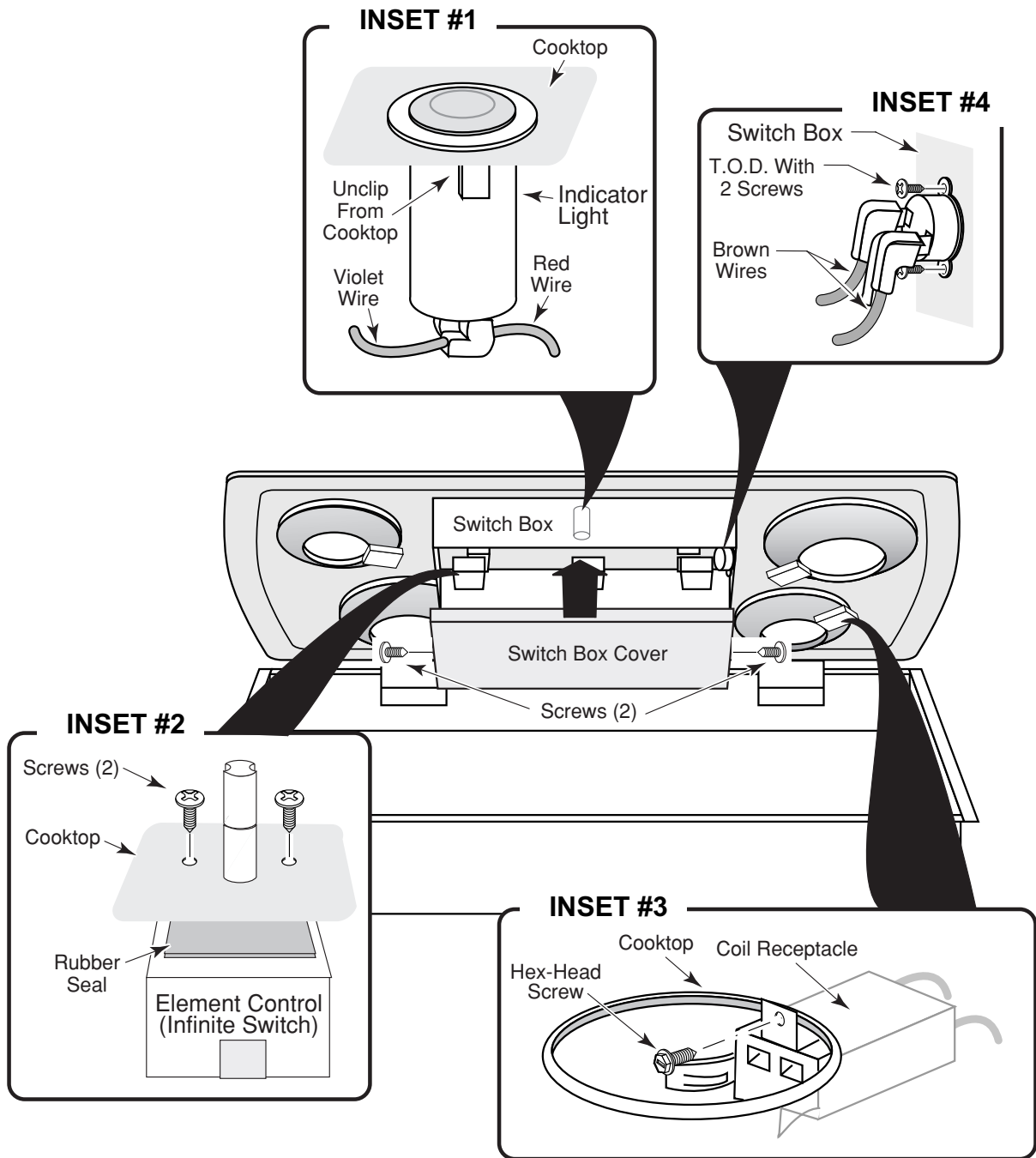


**Figure 3-6**

Refer to Figure 3-7 for the following steps.

3. **To remove the indicator light (inset #1):**
  - a) Disconnect the two wires from the terminals.
  - b) Press in on the two locking arms and unclip them from the cooktop, then push the indicator light body up and out of the maintop opening.

4. **To remove an element control (infinite switch)(inset #2):**
  - a) Remove the control knob from the control stem.
  - b) Remove the two screws from the element control.
  - c) Remove the two screws from the switch box cover and remove the cover.
  - d) Disconnect the wires from the control terminals and remove the control and its rubber seal.
5. **To remove a coil receptacle (inset #3):**
  - a) Unplug the coil element from the receptacle.
  - b) Remove the reflector bowl.
  - c) Remove the screw from the receptacle bracket.
  - d) Disconnect the two wires from the control terminals.
6. **To remove the T.O.D. (inset #4):**
  - a) Disconnect the two wires from the terminals.
  - b) Remove the two screws and remove the T.O.D. from the switch box.



**Figure 3-7**

## REMOVING THE CERAMIC GLASS MAINTOP

### **! WARNING**

#### **Electrical Shock Hazard**

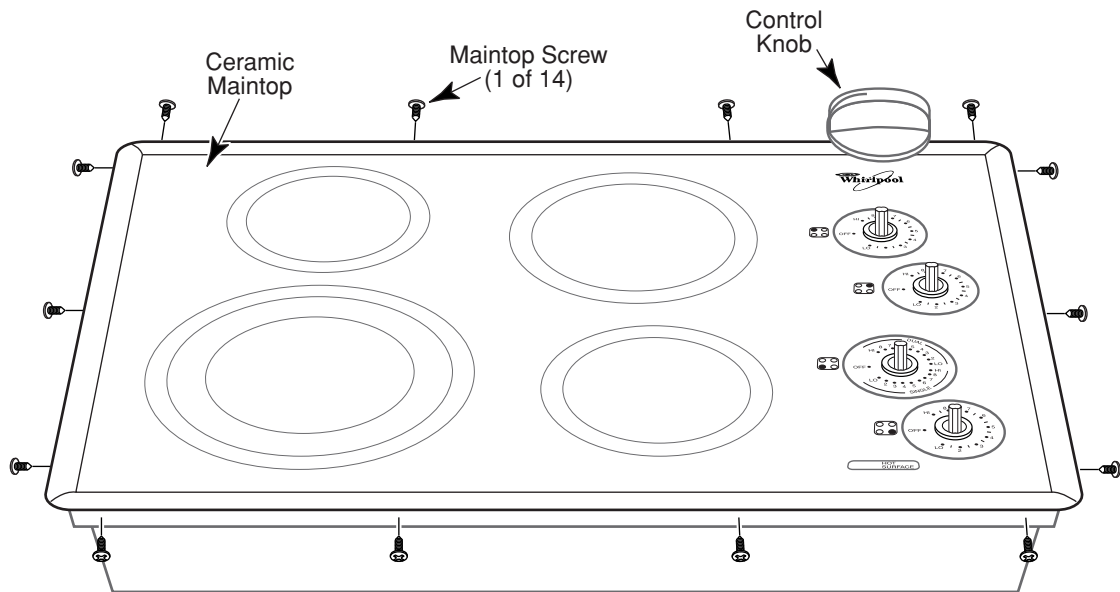
Disconnect from electrical supply before servicing unit.

Failure to do so could result in death or electrical shock.

**CAUTION:** When you work on the cooktop, be careful when handling the sheet metal parts. Sharp edges may be present, and you can cut yourself if you are not careful.

1. Turn off the electrical power to the cooktop. Refer to Figure 3-8 for the following steps.
2. Remove the control knobs from the control stems.
3. Remove the fourteen (14) screws from the ceramic glass maintop frame and lift the maintop off the burner box.

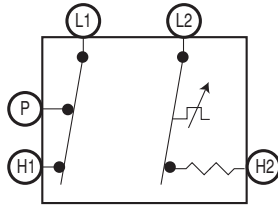
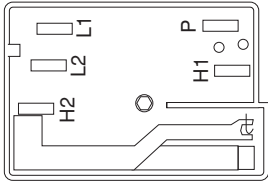
**NOTE:** If you are replacing the maintop, remove the four rubber grommets from the control stem holes.



**Figure 3-8**

# COMPONENT TESTING

## ELEMENT CONTROL (INFINITE SWITCH)



### **! WARNING**

#### **Electrical Shock Hazard**

Disconnect from electrical supply before servicing unit.

Failure to do so could result in electrical shock or other personal injury.

### **Test Procedure**

Refer to page 3-4 for the location of the element controls and the procedure for servicing them.

To test a control, perform the following steps:

1. Use an ohmmeter and set the range switch to R x 1.
2. With no power applied, touch the leads of the ohmmeter to the indicated terminals of the element control (infinite switch). You should obtain the following readings:

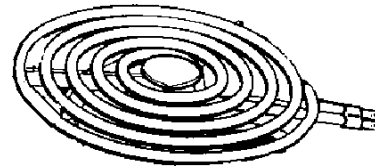
Control OFF:

- L1 to P = no continuity
- L1 to H1 = no continuity
- P to H1 = no continuity
- L2 to H2 = continuity

Control to HI:

- L1 to P = continuity
- L1 to H1 = continuity
- P to H1 = continuity
- L2 to H2 = continuity

## COIL ELEMENT



### **! WARNING**

#### **Electrical Shock Hazard**

Disconnect from electrical supply before servicing unit.

Failure to do so could result in electrical shock or other personal injury.

### **Test Procedure**

Refer to page 3-4 for the location of the coil elements and the procedure for servicing them.

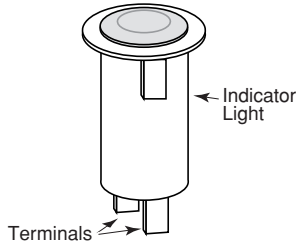
To test an element, perform the following steps:

1. Use an ohmmeter and set the range switch to R x 1.
2. Remove the coil element you wish to test.
3. Touch the ohmmeter leads to the terminals. You should obtain the following readings:

6" element = 34  $\Omega$  and 52  $\Omega$ .

8" element = 19 and 30  $\Omega$ .

## INDICATOR LIGHT



### **! WARNING**

#### **Electrical Shock Hazard**

Disconnect from electrical supply before servicing unit.

Failure to do so could result in electrical shock or other personal injury.

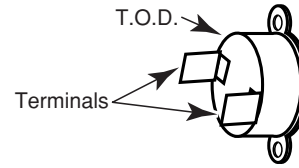
### **Test Procedure**

Refer to page 3-4 for the location of the indicator light and the procedure for servicing it.

To test an indicator light, perform the following steps:

1. Use a voltmeter and set it to read 120-volts AC.
2. With power applied, measure across the light terminals. If the reading is 0-volts, check the wiring. If the meter reads 120-volts AC, replace the indicator light.

## T.O.D.



### **! WARNING**

#### **Electrical Shock Hazard**

Disconnect from electrical supply before servicing unit.

Failure to do so could result in electrical shock or other personal injury.

### **Test Procedure**

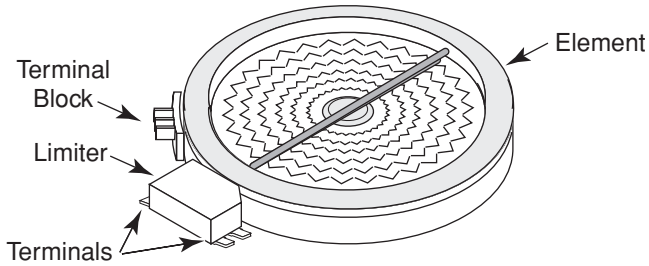
Refer to page 3-4 for the location of the T.O. D. and the procedure for servicing it.

The T.O.D. operates as follows:

- Opens @ 150°C (302°F) ±5.5°
- Closes @ 135°C (275°F) ±8.5°



## ELEMENTS



## ! WARNING

### Electrical Shock Hazard

Disconnect from electrical supply before servicing unit.

Failure to do so could result in electrical shock or other personal injury.

## Test Procedure

To test an element, perform the following steps:

1. Use an ohmmeter and set the range switch to R x 1.
2. Disconnect the wires from the element you wish to test.
3. Touch the ohmmeter leads to the element terminals. You should obtain the following readings:

LF element:

1000 W = 58  $\Omega$ .

1400 W = 41  $\Omega$ .

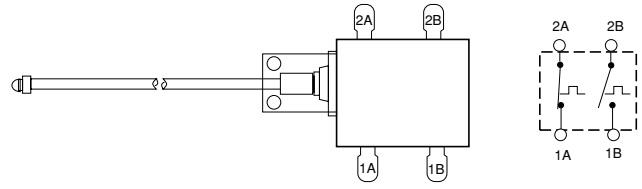
LR element (1200 W) = 47  $\Omega$ .

RF element (1500 W) = 37  $\Omega$ .

RR element (1800 W) = 31  $\Omega$ .

Model GJC3634G shown.

## LIMITERS



## ! WARNING

### Electrical Shock Hazard

Disconnect from electrical supply before servicing unit.

Failure to do so could result in electrical shock or other personal injury.

## Test Procedure

To test a limiter, perform the following steps:

1. Use an ohmmeter and set the range switch to R x 1.
2. Disconnect the wires from the limiter you wish to test.
3. Touch the ohmmeter leads to the indicated limiter terminals. You should obtain the following readings:

1A to 2A = Continuity (closed contacts)

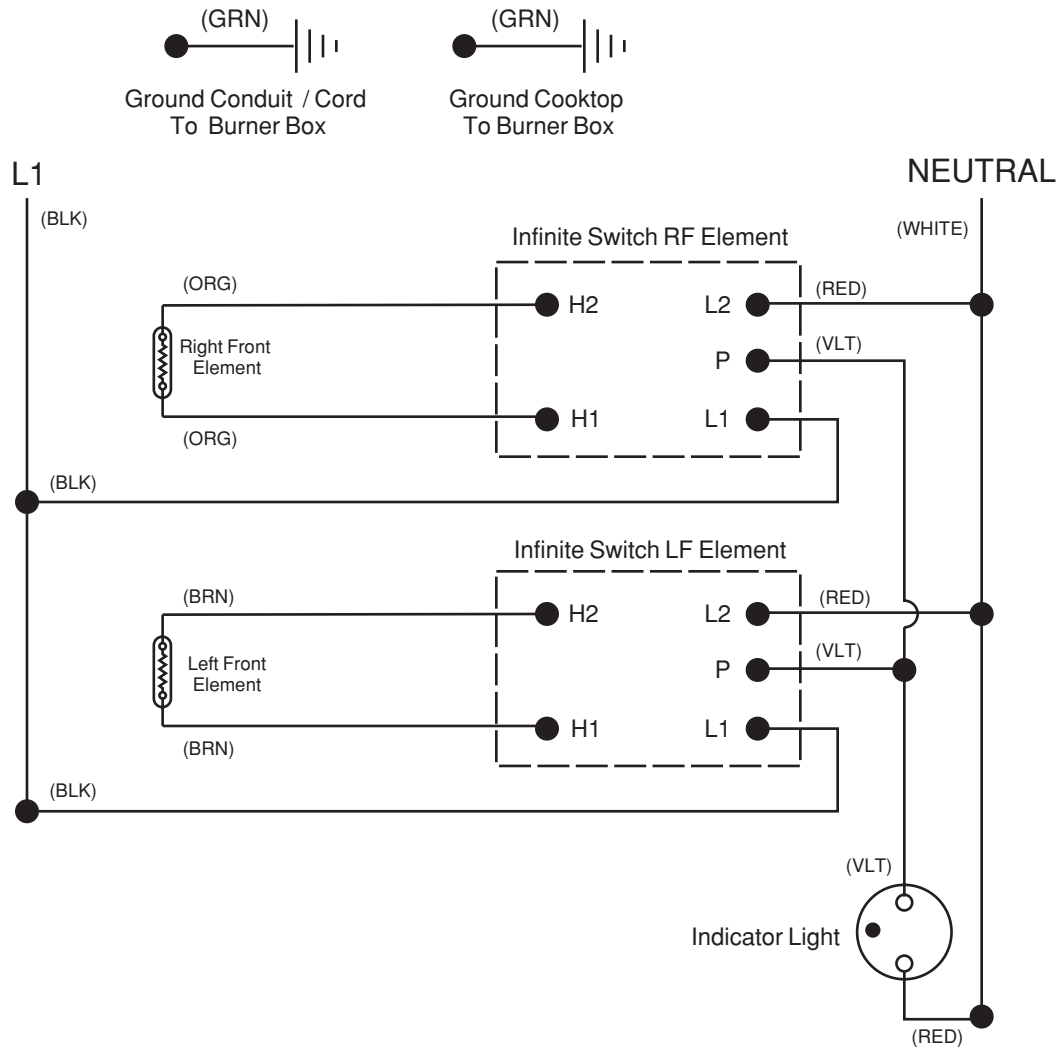
1B to 2B = Infinity (open contacts)

— NOTES —

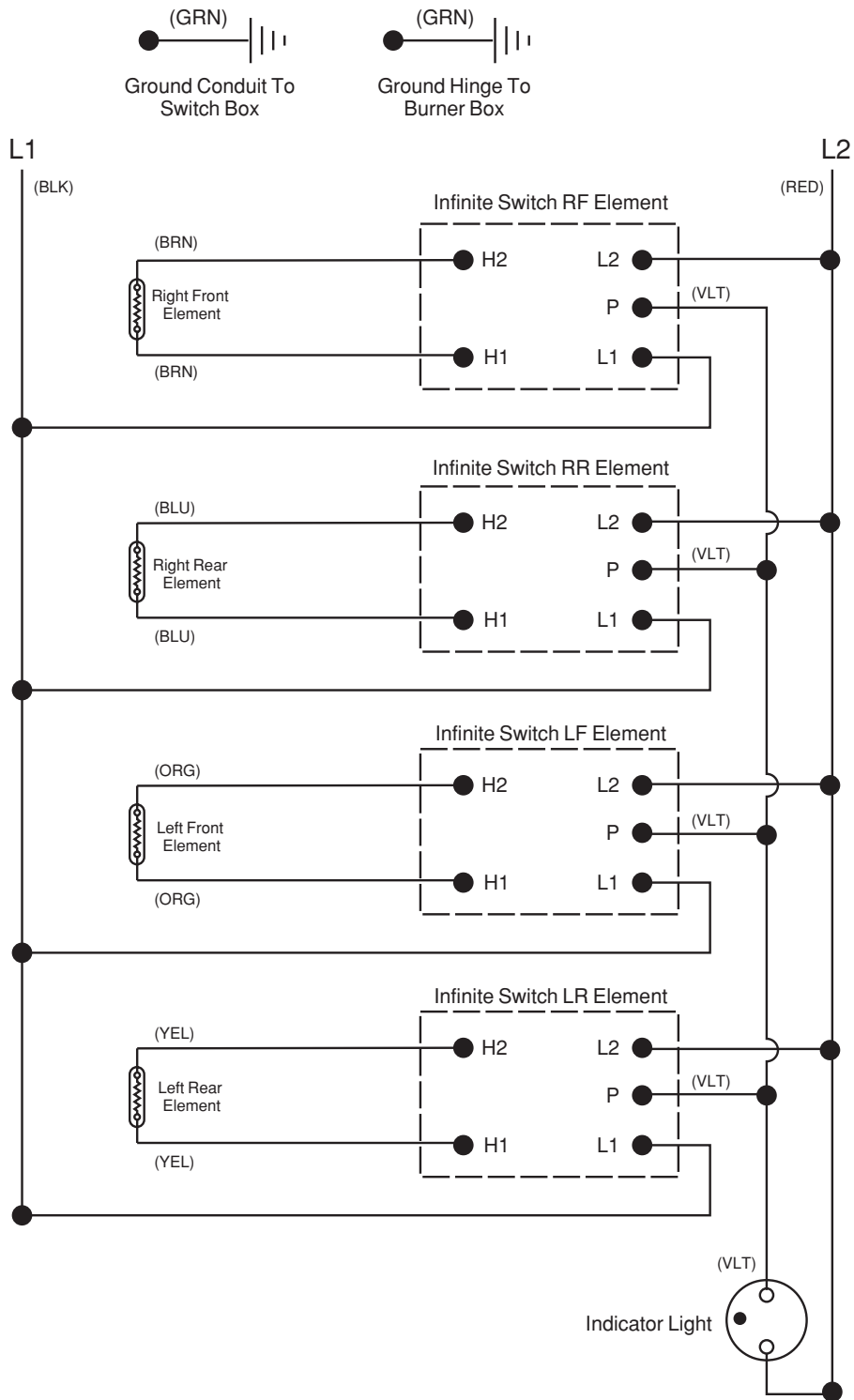
# WIRING DIAGRAMS

## WIRING DIAGRAMS

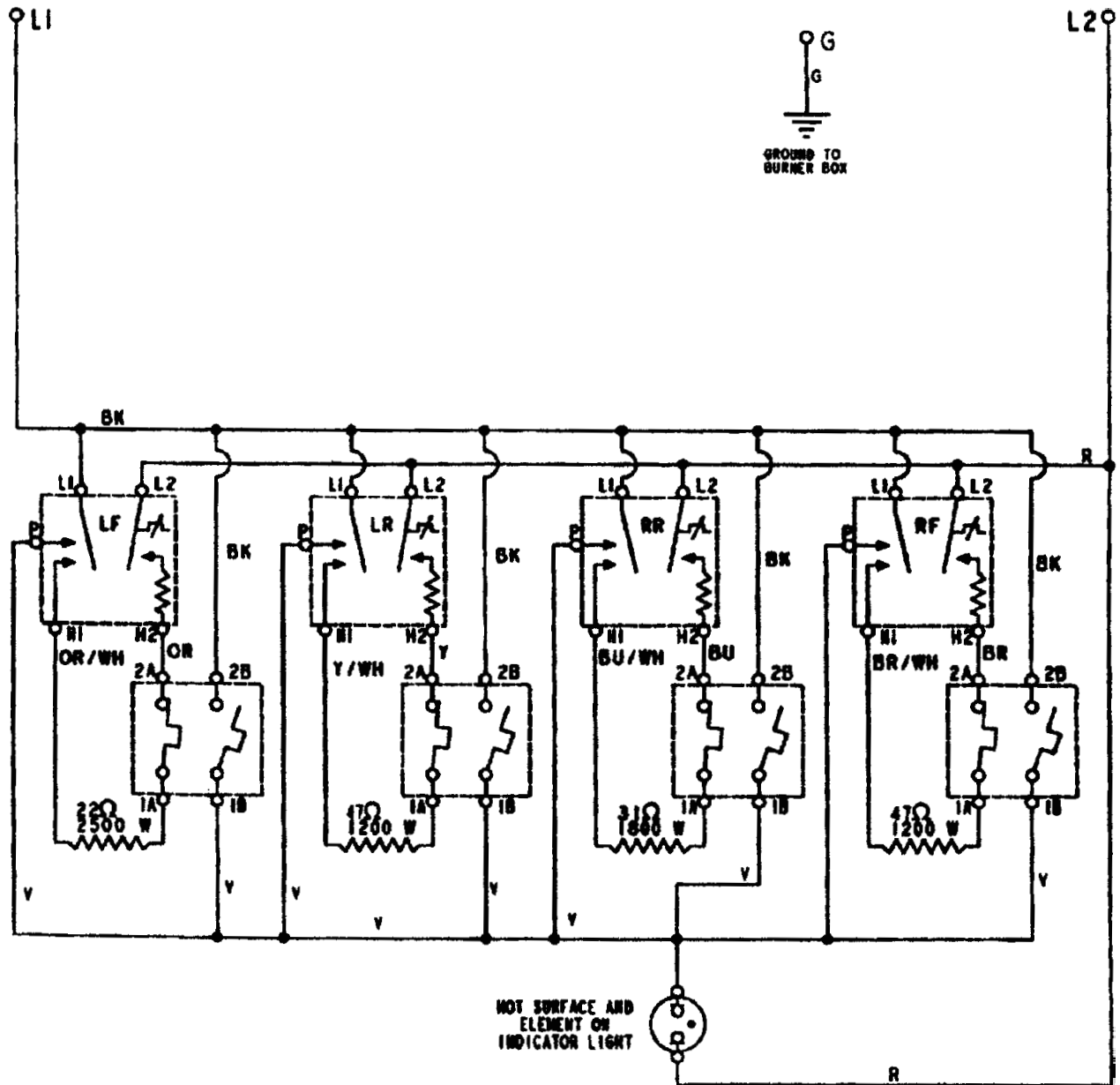
### Whirlpool Models RCS2002G & RCS2012G



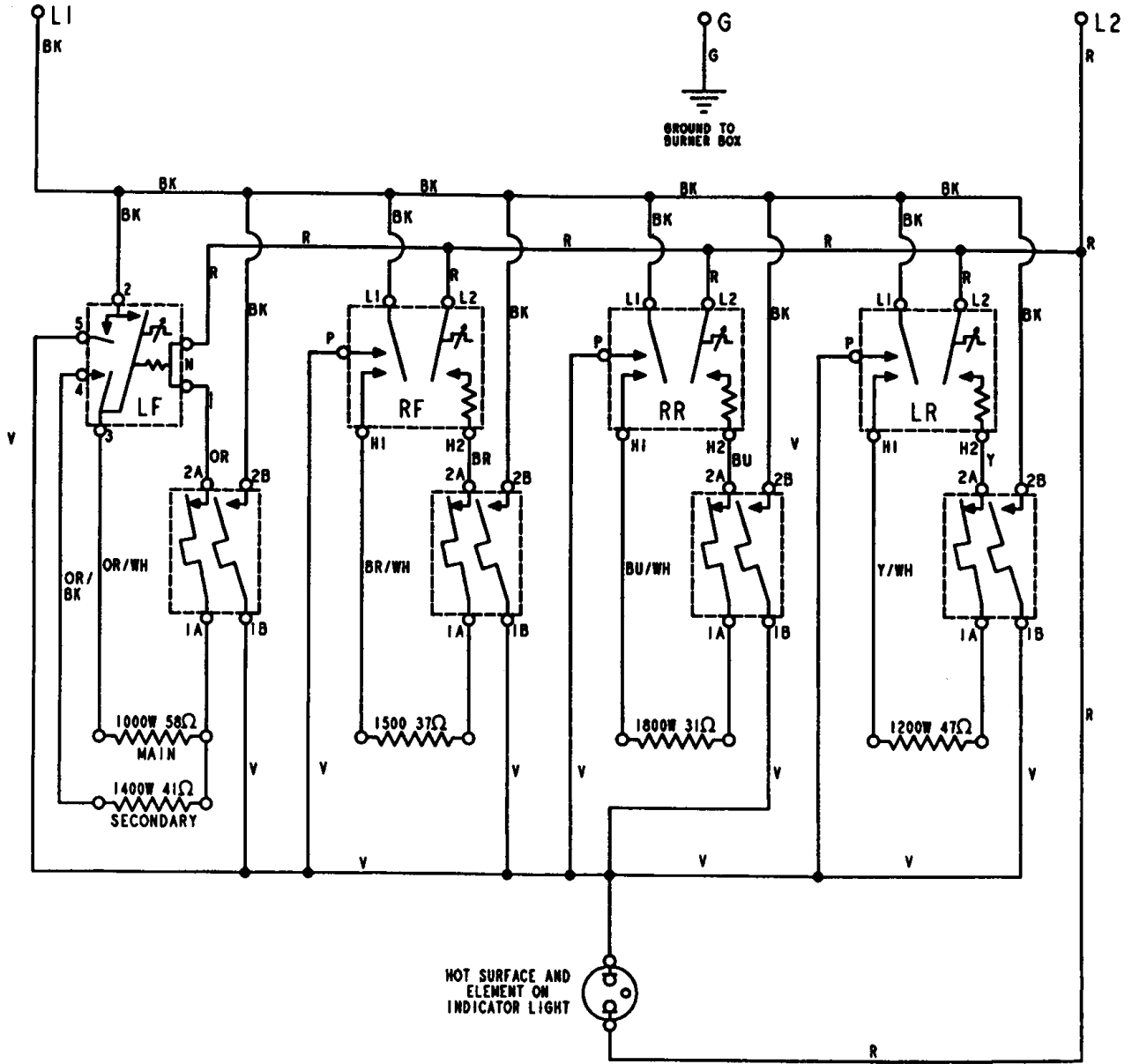
# Whirlpool Models RCS3004G, RCS3014G, & RCS3614G



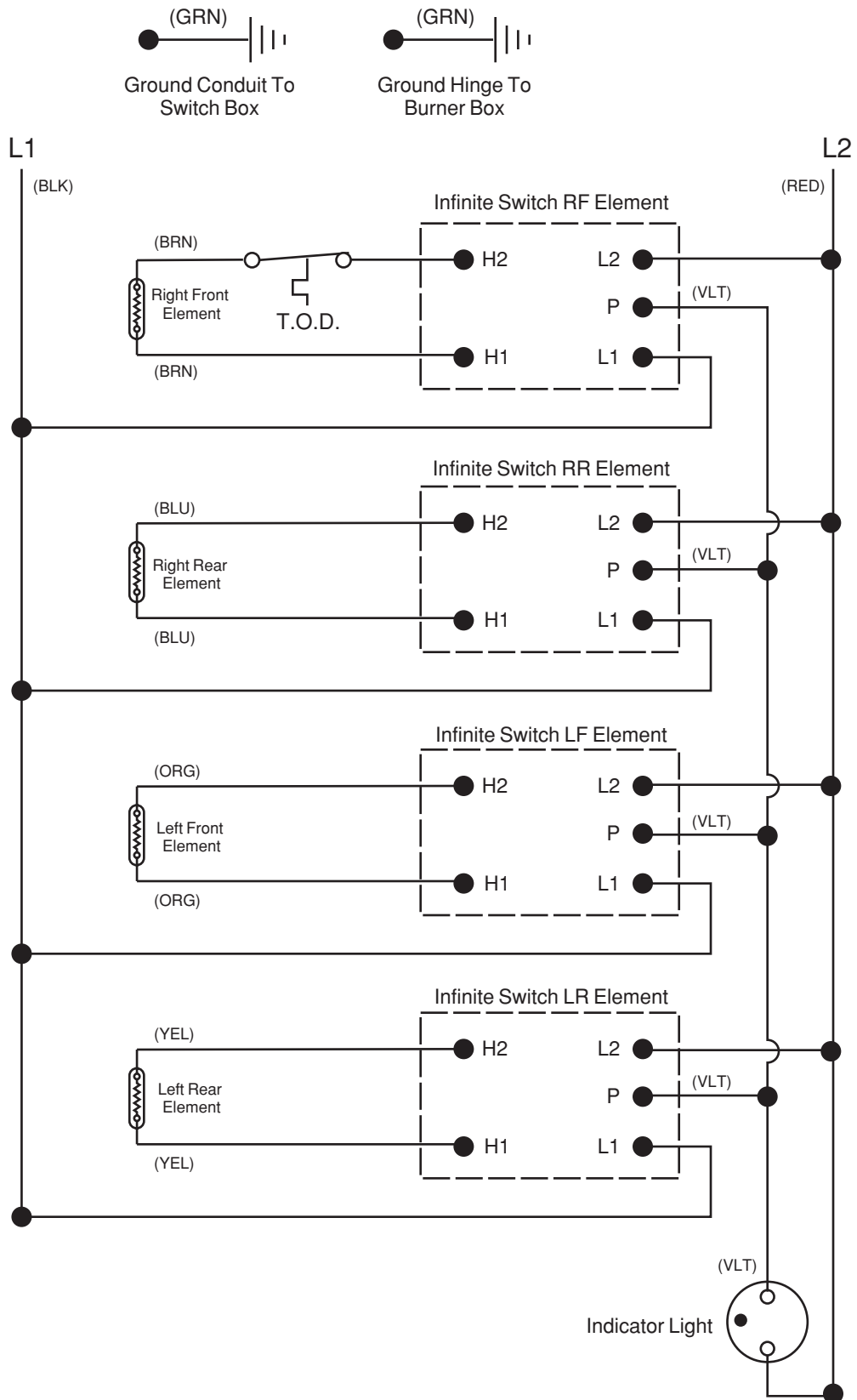
# Whirlpool Model RCC3024G



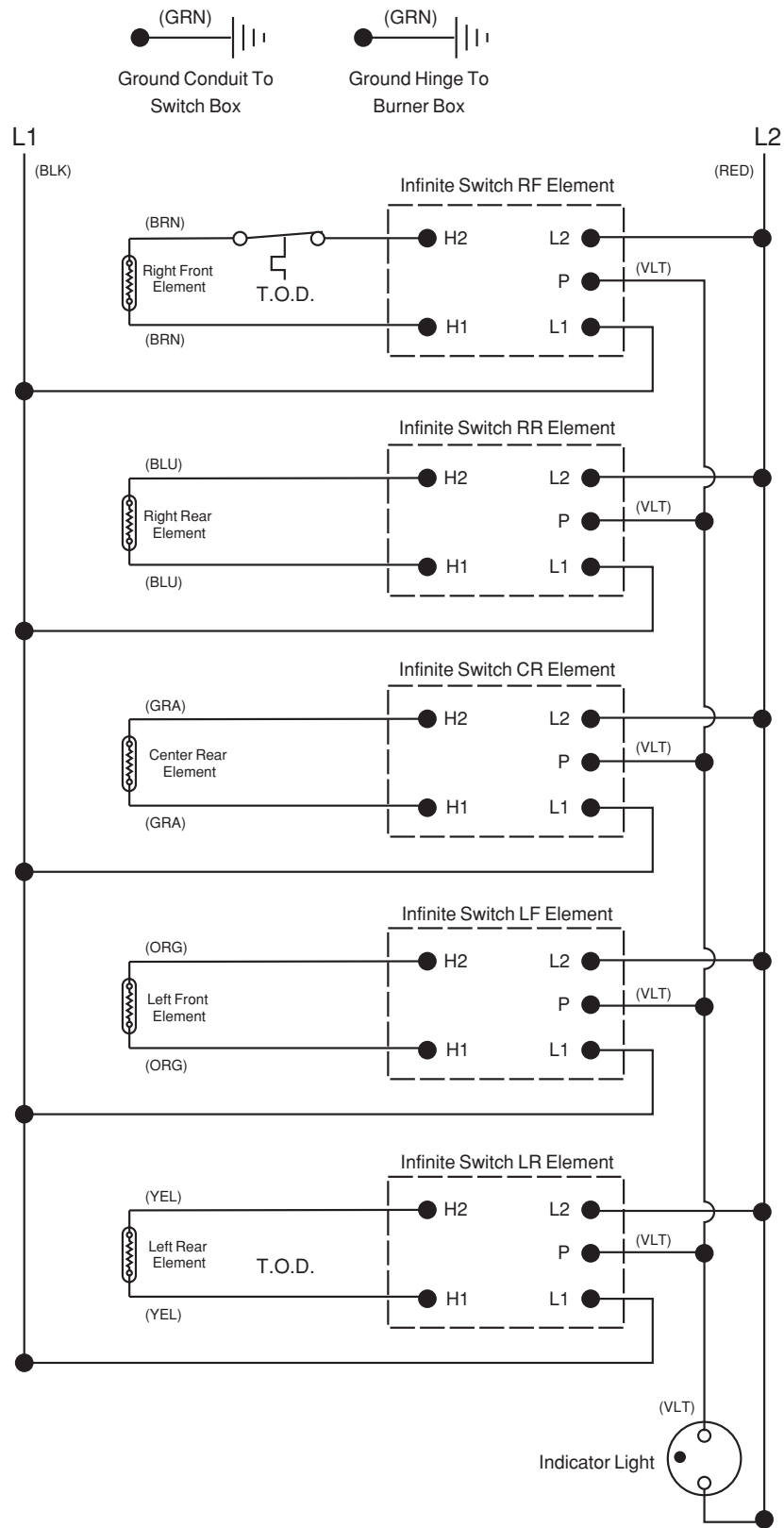
# Whirlpool Models GJC3034G, YGJC3034G, & GJC3634



# KitchenAid Model KECS100

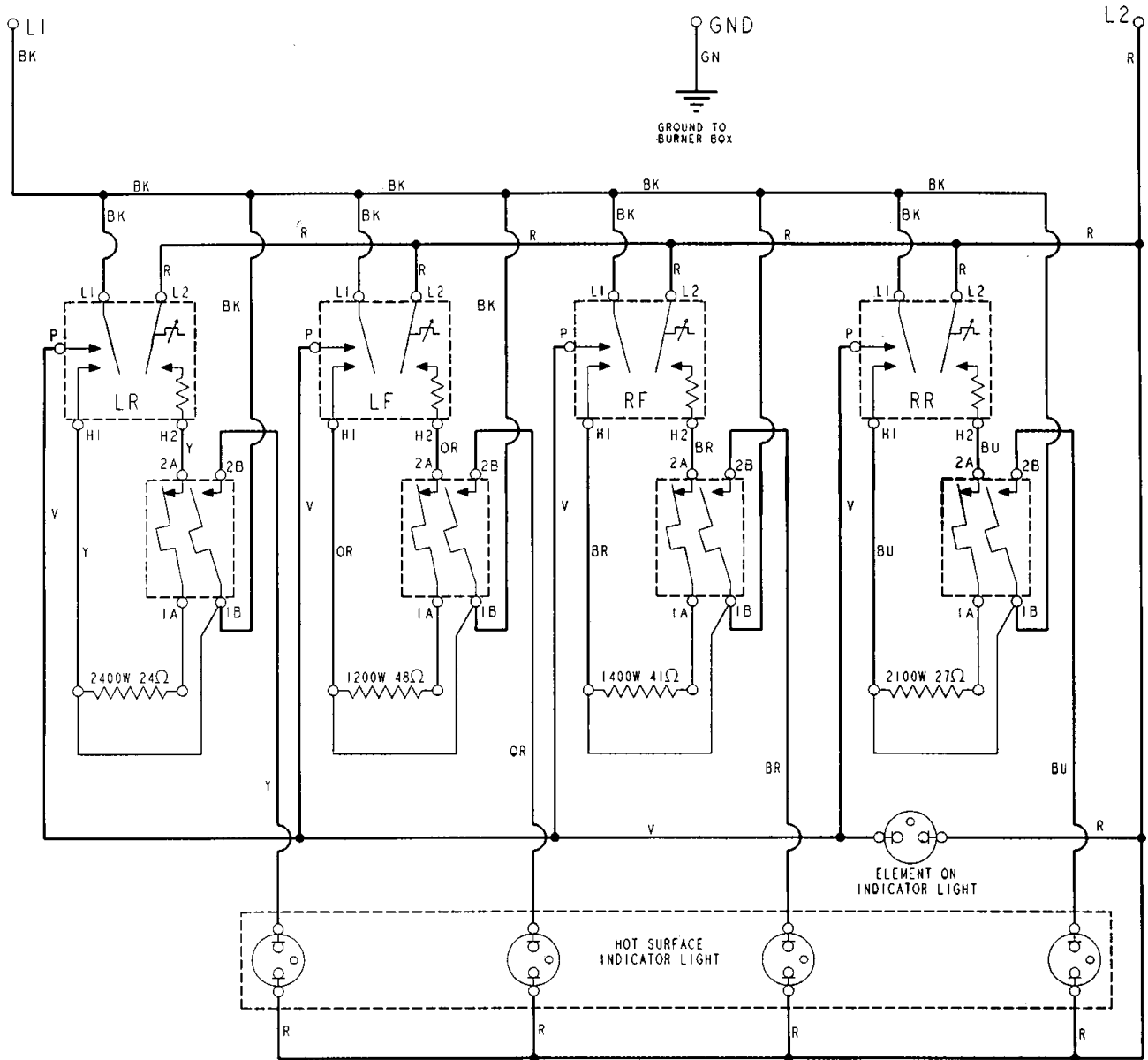


# KitchenAid Model KECS161



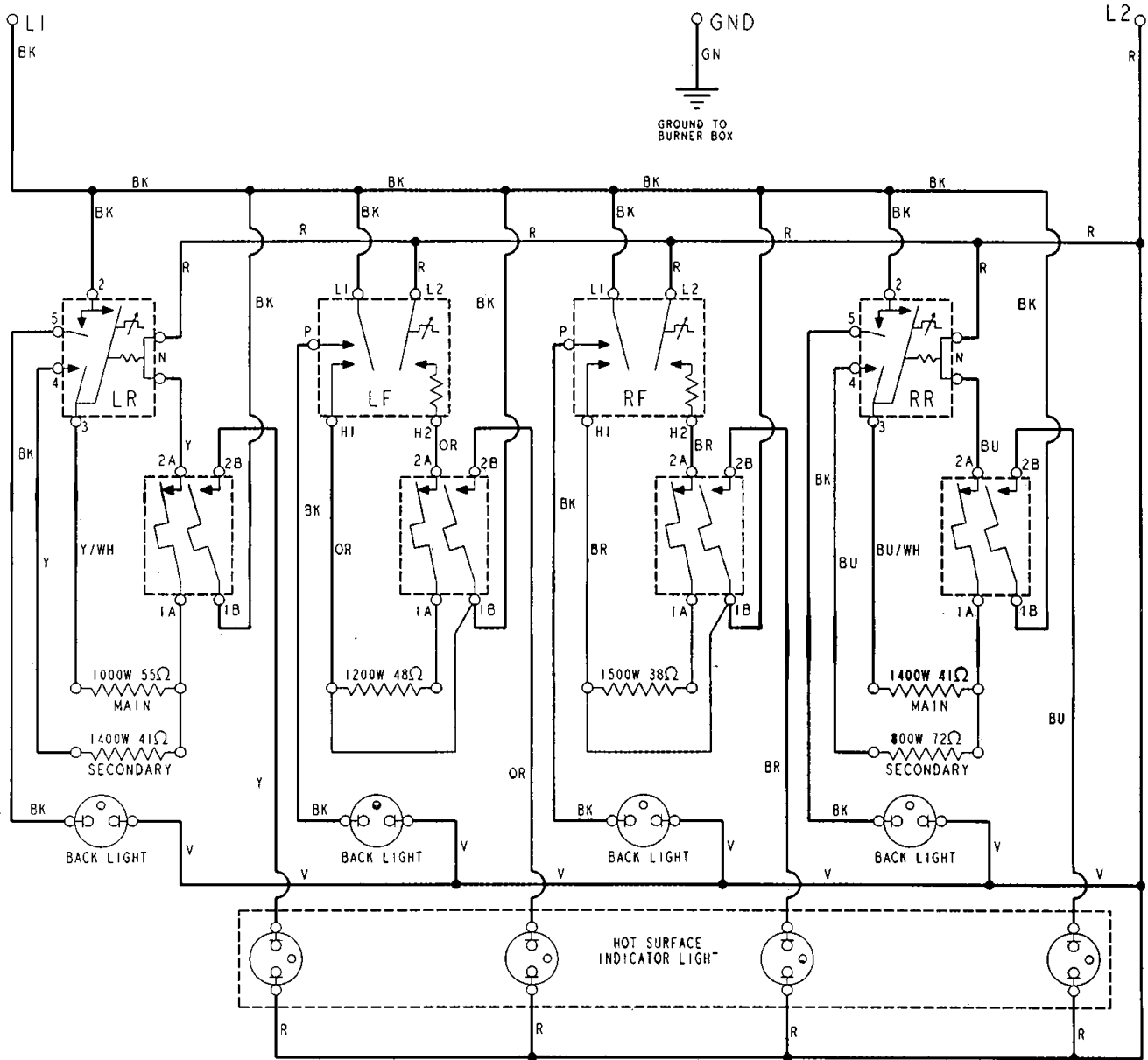


# KitchenAid Models KECC501G & KECC502G



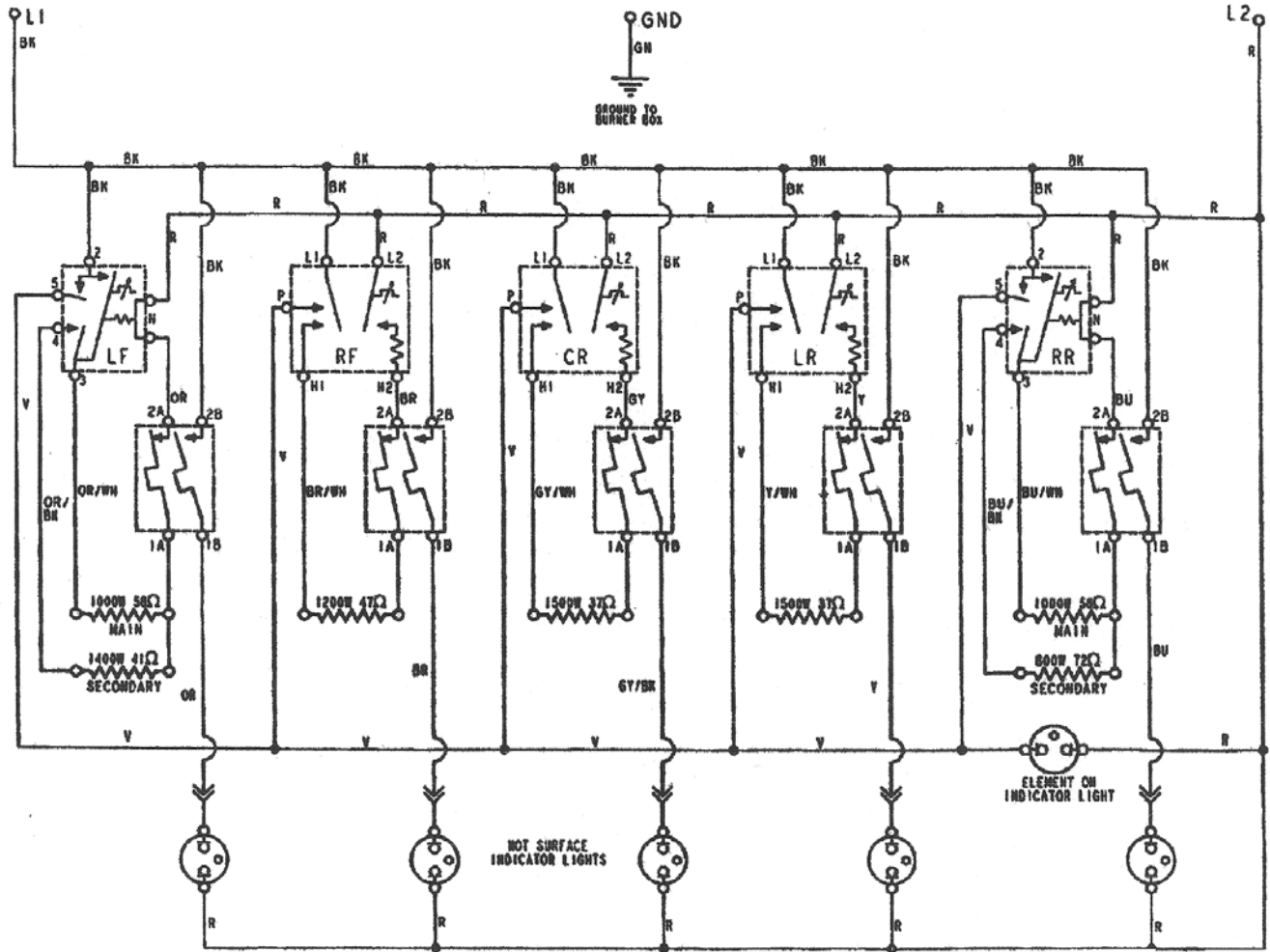
3188757 REV. REL

# KitchenAid Model KECC507

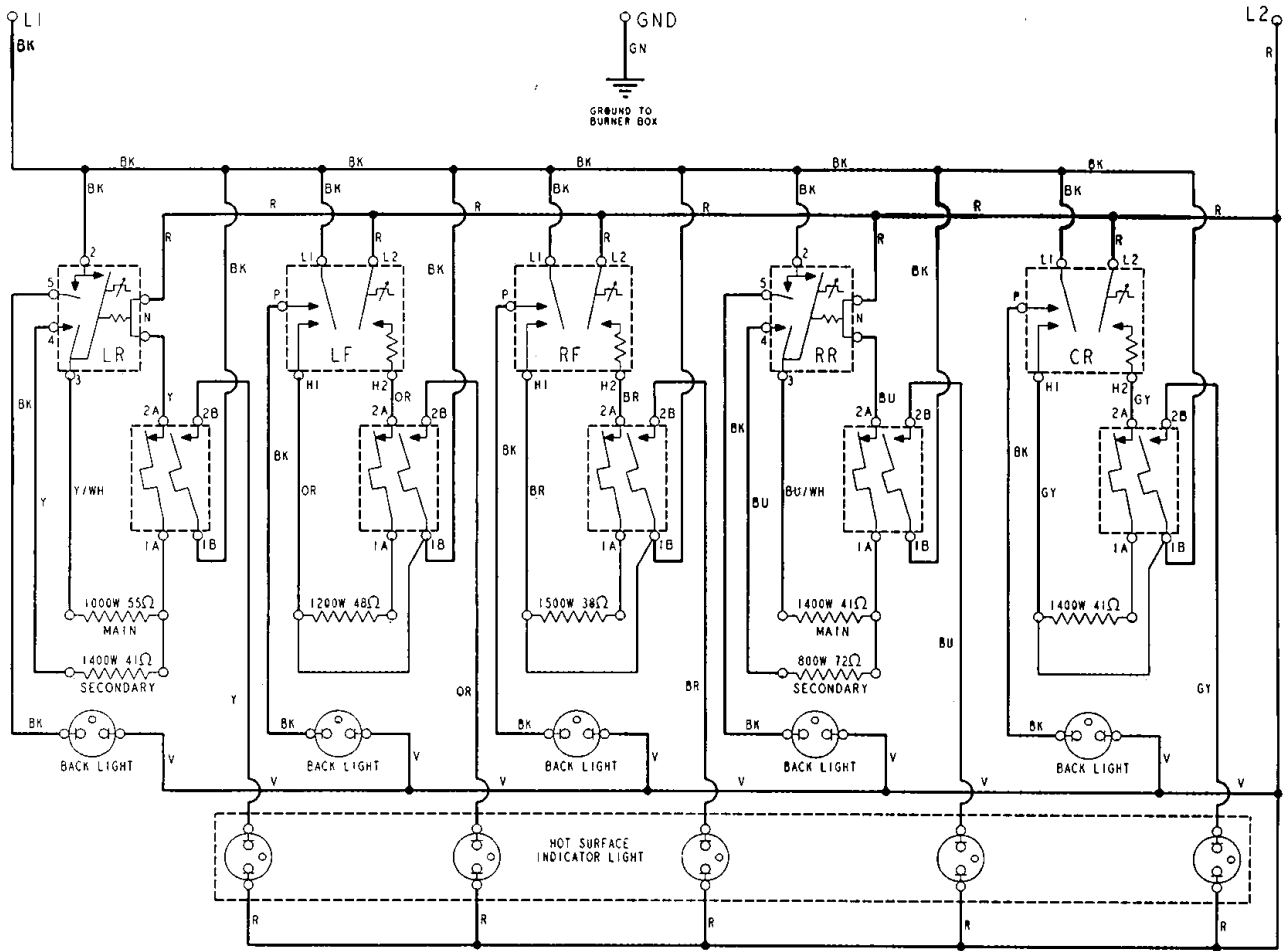


3188754 REV. REL

# KitchenAid Model KECC562



# KitchenAid Model KECC567

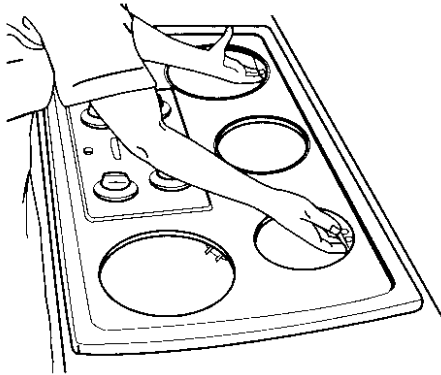


3188581 REV. REL

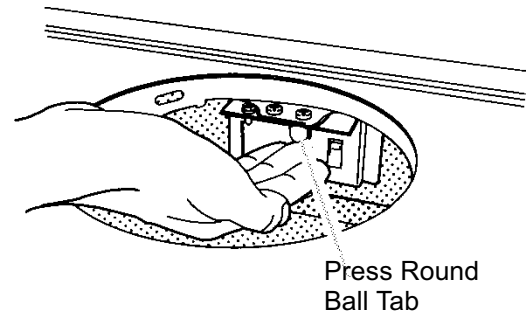
# TECH TIPS

## RAISING THE MAINTOP OFF THE COUNTER

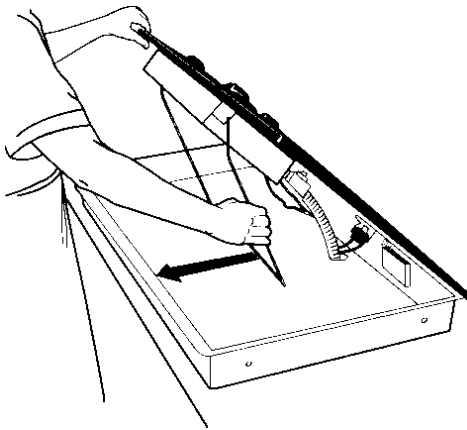
1. Remove all elements and reflector bowls.
2. Place your hands under the left and right rear element opening areas and lift the maintop until the round ball tab seats in the hinge cover hole. You will hear a “click” when the ball is engaged. This will allow the maintop to be free of the countertop for cleaning or servicing.



4. To lower the maintop:
  - a) Lift cooktop slightly to disengage support rod, then lower the front to countertop level.
  - b) Reach into left and right rear element opening areas and press the round ball tab to disengage it in its hole. The back of the maintop will lower itself back to countertop level.



3. Rotate the support rod against the front of the burner box.



## REQUESTING ASSISTANCE OR SERVICE

### **If you need assistance or service in the U.S. A.:**

Call the KitchenAid Consumer Assistance Center toll free, at

**1-800-422-1230**, OR

Call the Whirlpool Consumer Assistance Center, toll free at:

**1-800-253-1301**.

### **If you need assistance or service in Canada:**

Call the Inglis Limited Consumer Assistance Center telephone number toll-free, 8:30 a.m. to 6:00 p.m. (EST) at:

**1-800-461-5681**.

Our consultants are available to assist you.

When calling, please have the purchase date, and the complete model and serial number of your appliance handy. This information will help with your request.

Our consultants provide assistance with:

- Features and specifications on our full line of appliances.
- Installation information.
- Use and maintenance procedures.
- Accessory and repair parts sales.
- Specialized customer assistance (Spanish & French (Canada) speaking, hearing impaired, limited vision, etc.).
- Referrals to local dealers, service companies, and repair parts distributors.

KitchenAid and Whirlpool service technicians are trained to fulfill the product warranty and provide after-warranty service, anywhere in the United States. To locate the authorized KitchenAid or Whirlpool service company in your area, you can also look in your telephone directory Yellow Pages.

**If you need to order replacement parts**, we recommend that you only use factory authorized parts. These parts will fit right and work right, because they are made with the same precision used to build every new KitchenAid and Whirlpool appliance.

To locate factory authorized replacement parts in your area, call our Consumer Assistance Center telephone number or your nearest authorized service center.

**If you need further assistance**, you can write to KitchenAid, or Whirlpool, with any questions or concerns at:

KitchenAid/Whirlpool Brand Home Appliances  
Consumer Assistance Center  
c/o Correspondence Dept.  
2000 North M-63  
Benton Harbor, MI 49022-2692

In Canada, contact:

Consumer Relations Department  
Inglis Limited  
1901 Minnesota Court  
Mississauga, Ontario L5N 3A7

Please include a daytime phone number in your correspondence.

## KITCHENAID ELECTRIC COOKTOP WARRANTY

LENGTH OF WARRANTY:	KITCHENAID WILL PAY FOR:	KITCHENAID WILL NOT PAY FOR:
<p><b>ONE-YEAR FULL WARRANTY</b> FROM DATE OF PURCHASE.</p>	<p>Replacement parts and repair labor costs to correct defects in materials or workmanship. Service must be provided by an authorized KitchenAid servicing outlet.</p>	<p>A. Service calls to:</p> <ol style="list-style-type: none"> <li>1. Correct the installation of the cooktop.</li> <li>2. Instruct you how to use the cooktop.</li> <li>3. Replace house fuses or correct house wiring.</li> <li>4. Correct house plumbing.</li> </ol> <p>B. Repairs when cooktop is used in other than normal home use.</p> <p>C. Damage resulting from accident, alteration, misuse, abuse, fire, flood, acts of God, improper installation, or installation not in accordance with local electrical or plumbing codes.</p>
<p><b>SECOND-THROUGH FIFTH-YEAR LIMITED WARRANTY</b> FROM DATE OF PURCHASE.</p>	<p>Replacement parts for any electric element to correct defects in materials or workmanship.</p>	<p>D. Any labor costs during the limited warranties.</p> <p>E. Replacement parts or repair labor costs for units operated outside the United States and Canada.</p> <p>F. Pickup and delivery. This product is designed to be repaired in the home.</p> <p>G. Repairs to parts or systems resulting from unauthorized modifications made to the appliance.</p>

**KITCHENAID DOES NOT ASSUME ANY RESPONSIBILITY FOR INCIDENTAL OR CONSEQUENTIAL DAMAGES.** Some states do not allow the exclusion or limitation of incidental or consequential damages, so this exclusion or limitation may not apply to you. This warranty gives specific legal rights and you may also have other rights which vary from state to state.

**Outside the United States, a different warranty may apply. For details, please contact your authorized KitchenAid dealer.**

If you need assistance or service, (U.S.A.), call our Consumer Assistance Center at **1-800-422-1230**.

# KITCHENAID CERAMIC COOKTOP WARRANTY

LENGTH OF WARRANTY:	KITCHENAID WILL PAY FOR:	KITCHENAID WILL NOT PAY FOR:
<p><b>ONE-YEAR FULL WARRANTY</b> FROM DATE OF PURCHASE.</p>	<p>Replacement parts and repair labor costs to correct defects in materials or workmanship. Service must be provided by an authorized KitchenAid servicing outlet.</p>	<p>A. Service calls to:</p> <ol style="list-style-type: none"> <li>1. Correct the installation of the cooktop.</li> <li>2. Instruct you how to use the cooktop.</li> <li>3. Replace house fuses or correct house wiring.</li> </ol> <p>B. Repairs when cooktop is used in other than normal home use.</p> <p>C. Damage resulting from accident, alteration, misuse, abuse, fire, flood, acts of God, improper installation, or installation not in accordance with local electrical or plumbing codes.</p>
<p><b>SECOND-THROUGH FIFTH-YEAR LIMITED WARRANTY</b> FROM DATE OF PURCHASE.</p>	<p>Replacement parts for any electric element to correct defects in materials or workmanship. Replacement Ceramic glass if breakage is due to defects in materials or workmanship.</p>	<p>D. Any labor costs during the limited warranties.</p> <p>E. Replacement parts or repair labor costs for units operated outside the United States and Canada.</p> <p>F. Pickup and delivery. This product is designed to be repaired in the home.</p> <p>G. Repairs to Ceramic glass cooktop if it has not been cared for as recommended in the Use &amp; Care Guide.</p> <p>H. Repairs to parts or systems resulting from unauthorized modifications made to the appliance.</p> <p>I. In Canada, travel or transportation expenses for customers who reside in remote areas.</p>

**KITCHENAID AND KITCHENAID CANADA DO NOT ASSUME ANY RESPONSIBILITY FOR INCIDENTAL OR CONSEQUENTIAL DAMAGES.** Some states or provinces do not allow the exclusion or limitation of incidental or consequential damages, so this exclusion or limitation may not apply to you. This warranty gives specific legal rights and you may also have other rights which vary from state to state or province to province.

**Outside the United States and Canada, a different warranty may apply. For details, please contact your authorized KitchenAid dealer.**

If you need assistance or service, (U.S.A.), call our Consumer Assistance Center at **1-800-422-1230**. In Canada, contact your authorized Inglis Limited Appliance Service company.



# WHIRLPOOL ELECTRIC COOKTOP WARRANTY

LENGTH OF WARRANTY:	WHIRLPOOL WILL PAY FOR:	WHIRLPOOL WILL NOT PAY FOR:
<p><b>ONE-YEAR FULL WARRANTY FROM DATE OF PURCHASE.</b></p>	<p>FSP® replacement parts and repair labor costs to correct defects in materials or workmanship. Service must be provided by an authorized Whirlpool service company.</p>	<p>A. Service calls to:</p> <ol style="list-style-type: none"> <li>1. Correct the installation of the cooktop.</li> <li>2. Instruct you how to use the cooktop.</li> <li>3. Replace house fuses or correct house wiring or plumbing.</li> </ol> <p>B. Repairs when the cooktop is used in other than normal, single-family household use.</p> <p>C. Pickup and delivery. The cooktop is designed to be repaired in the home.</p> <p>D. Damage to the cooktop caused by accident, alteration, misuse, abuse, fire, flood, acts of God, or use of products not approved by Whirlpool.</p> <p>E. Repairs to parts or systems resulting from unauthorized modifications made to the appliance.</p> <p>F. In Canada, travel or transportation expenses for customers who reside in remote areas.</p>

**WHIRLPOOL CORPORATION SHALL NOT BE LIABLE FOR INCIDENTAL OR CONSEQUENTIAL DAMAGES.** Some states or provinces do not allow the exclusion or limitation of incidental or consequential damages, so this exclusion or limitation may not apply to you. This warranty gives specific legal rights and you may also have other rights which vary from state to state or province to province.

**Outside the United States and Canada, a different warranty may apply. For details, please contact your authorized Whirlpool dealer.**

If you need service, call the Whirlpool Consumer Assistance Center telephone number, **1-800-253-1301**, from anywhere in the U.S.A. In Canada, contact your authorized Inglis Limited Appliance Service company.

## WHIRLPOOL CLEANTOP ELECTRIC COOKTOP WARRANTY

LENGTH OF WARRANTY:	WHIRLPOOL WILL PAY FOR:
<b>ONE-YEAR FULL WARRANTY</b> FROM DATE OF PURCHASE.	FSP® replacement parts and repair labor costs to correct defects in materials or workmanship. Service must be provided by an authorized Whirlpool service company.
<b>FULL 5-YEAR WARRANTY</b> FROM DATE OF PURCHASE.	FSP® replacement parts and repair labor for Cleantop Ceramic Glass Cooktop to the original purchaser of this product.  Whirlpool warrants that: <ul style="list-style-type: none"> <li>– The Ceramic glass cooktop will not discolor.</li> <li>– The Ceramic glass cooktop pattern will not wear off.</li> <li>– The Ceramic glass cooktop will not crack due to thermal shock.</li> <li>– The surface units will not burn out.</li> </ul>

### WHIRLPOOL WILL NOT PAY FOR:

- A. Service calls to:
  1. Correct the installation of the cooktop.
  2. Instruct you how to use the cooktop.
  3. Replace house fuses or correct house wiring.
- B. Repairs when the cooktop is used in other than normal, single-family household use.
- C. Pickup and delivery. The cooktop is designed to be repaired in the home.
- D. Damage to the cooktop caused by accident, alteration, misuse, abuse, fire, flood, acts of God, or use of products not approved by Whirlpool.
- E. Repairs to Cleantop Ceramic Glass Cooktop if it has not been cared for as recommended in the Use & Care Guide.
- F. Repairs to parts or systems resulting from unauthorized modifications made to the appliance.
- G. In Canada, travel or transportation expenses for customers who reside in remote areas.

**WHIRLPOOL CORPORATION SHALL NOT BE LIABLE FOR INCIDENTAL OR CONSEQUENTIAL DAMAGES.** Some states or provinces do not allow the exclusion or limitation of incidental or consequential damages, so this exclusion or limitation may not apply to you. This warranty gives specific legal rights and you may also have other rights which vary from state to state or province to province.

**Outside the United States and Canada, a different warranty may apply. For details, please contact your authorized Whirlpool dealer.**

If you need service, call the Whirlpool Consumer Assistance Center telephone number, **1-800-253-1301**, from anywhere in the U.S.A. In Canada, contact your authorized Inglis Limited Appliance Service company.