

KitchenAid

TECHNICAL EDUCATION

**SELF-CLEANING
SLIDE-IN ELECTRIC
RANGE**



Models KESC300H, KESC307H, KESH307H

JOB AID 4317335

FORWARD

This KitchenAid Job Aid, "Self-Cleaning Slide-In Electric Range," (Part No. 4317335), provides the technician with information on the installation, operation, and service of the Self-Cleaning Slide-In Electric Range. It is to be used as a training Job Aid and Service Manual. For specific information on the model being serviced, refer to the "Use and Care Guide," or "Wiring Diagram" provided with the electric range.

The Wiring Diagram and Strip Circuits used in this Job Aid are typical and should be used for training purposes only. Always use the Wiring Diagram supplied with the product when servicing the unit.

GOALS AND OBJECTIVES

The goal of this Job Aid is to provide detailed information that will enable the service technician to properly diagnose malfunctions and repair the KitchenAid Self-Cleaning Slide-In Electric Range.

The objectives of this Job Aid are to:

- Understand and follow proper safety precautions.
- Successfully troubleshoot and diagnose malfunctions.
- Successfully perform necessary repairs.
- Successfully return the range to its proper operational status.

WHIRLPOOL CORPORATION assumes no responsibility for any repairs made on our products by anyone other than Authorized Service Technicians.

TABLE OF CONTENTS

| | Page |
|--|------|
| GENERAL | 1-1 |
| Safety First..... | 1-1 |
| KitchenAid Model & Serial Number Designations..... | 1-3 |
| Model & Serial Number Label Location..... | 1-4 |
| Specifications..... | 1-5 |
| KitchenAid Electric Range Warranty..... | 1-7 |
| INSTALLATION INFORMATION | 2-1 |
| Electrical Supply Requirements..... | 2-1 |
| Moving The Range..... | 2-8 |
| THEORY OF OPERATION | 3-1 |
| Air Flow—Rear Panel..... | 3-1 |
| Cooling Fan Air Flow..... | 3-2 |
| The Bimetal Switches..... | 3-3 |
| The Surface Element Limiter..... | 3-4 |
| The Door Lock Solenoid & Door Latch Switch..... | 3-5 |
| How The Self-Clean Cycle Works..... | 3-6 |
| COMPONENT ACCESS | 4-1 |
| Component Locations..... | 4-1 |
| Removing The Control Panel, An Infinite Switch & Bimetal Switch..... | 4-2 |
| Removing The Electronic Oven Control And An Indicator Light..... | 4-4 |
| Removing An Element & Limiter And The Hot Surface Indicator Assembly..... | 4-5 |
| Removing The Cooktop Glass..... | 4-7 |
| Removing The Door Latch Assembly & The Door Switch..... | 4-10 |
| Removing The Dual Broil Element And The Hidden Bake Element..... | 4-12 |
| Removing The Convection Bake Element & Fan Motor..... | 4-14 |
| Removing An Oven Light Socket Assembly..... | 4-16 |
| Removing The Meat Probe Jack..... | 4-17 |
| Removing The Oven Temperature Sensor..... | 4-18 |
| Removing A Side Panel..... | 4-19 |
| Removing The Double Line Break (DLB) Relay And The Cooling Fan Motor..... | 4-20 |
| Removing The Oven Door..... | 4-22 |
| Removing The Decorative Glass, The Oven Door Handle, The Hinges, And The Oven Door Glass..... | 4-23 |
| Removing The Oven Door Gasket..... | 4-25 |

| | Page |
|---|-------------|
| COMPONENT TESTING | 5-1 |
| Bimetal Switch | 5-1 |
| Single Element Infinite Switches | 5-2 |
| Dual Element Infinite Switch (Optional) | 5-3 |
| Surface Elements & Limiters | 5-4 |
| Door Switch | 5-6 |
| Door Latch Assembly | 5-6 |
| Hidden Bake Element | 5-7 |
| Dual Broil Element | 5-7 |
| Convection Bake Element | 5-8 |
| Convection Fan Motor | 5-8 |
| Oven Temperature Sensor | 5-9 |
| Cooling Fan Motor | 5-9 |
| Double Line Break (DLB) Relay | 5-10 |
| DIAGNOSIS & TROUBLESHOOTING | 6-1 |
| Diagnosis | 6-1 |
| Failure / Error Display Codes—Tech Sheet #9753028, Rev. B | 6-1 |
| Fault Error Code Charts | 6-2 |
| Troubleshooting Charts | 6-3 |
| Oven Temperature Calibration | 6-6 |
| WIRING DIAGRAM & STRIP CIRCUITS | 7-1 |
| Wiring Diagram— #9753028, Rev. B | 7-1 |
| Strip Circuits | 7-3 |

GENERAL SAFETY FIRST

Your safety and the safety of others is very important.

We have provided many important safety messages in this Job Aid and on the appliance. Always read and obey all safety messages.



This is the safety alert symbol.

This symbol alerts you to hazards that can kill or hurt you and others.

All safety messages will follow the safety alert symbol and either the word "DANGER" or "WARNING." These words mean:

! DANGER

You can be killed or seriously injured if you don't immediately follow instructions.

! WARNING

You can be killed or seriously injured if you don't follow instructions.

All safety messages will tell you what the potential hazard is, tell you how to reduce the chance of injury, and tell you what can happen if the instructions are not followed.

! WARNING



Electrical Shock Hazard

Disconnect power before servicing.

Replace all parts and panels before operating.

Failure to do so can result in death or electrical shock.

! WARNING



Electrical Shock Hazard

Plug into a grounded 3-prong outlet.

Do not remove ground prong.

Do not use an adapter.

Do not use an extension cord.

Failure to follow these instructions can result in death, fire, or electrical shock.

⚠️ WARNING



Electrical Shock Hazard

Electrically ground range.

Failure to do so can result in death, fire, or electrical shock.

⚠️ WARNING



Tip-Over Hazard

A child or adult can tip the range and be killed.

Connect anti-tip bracket to rear range foot.

Reconnect the anti-tip bracket, if the range is moved.

Failure to follow these instructions can result in death or serious burns to children and adults.

IMPORTANT

Electrostatic Discharge (ESD) Sensitive Electronics

ESD problems are present everywhere. ESD may damage or weaken the electronic control assembly. The new control assembly may appear to work well after repair is finished, but failure may occur at a later date due to ESD stress.

- Use an antistatic wrist strap. Connect the wrist strap to the green ground connection point, or to an unpainted metal surface in the appliance.

- OR -

- Touch your finger repeatedly to a green ground connection point, or to an unpainted metal surface in the appliance.
- Before removing the part from its package, touch the antistatic bag to a green ground connection point, or to an unpainted metal surface in the appliance.
- Avoid touching electronic parts, or terminal contacts. Handle the electronic control assembly by the edges only.
- When repackaging the failed electronic control assembly in an antistatic bag, observe the previous instructions.

KITCHENAID MODEL & SERIAL NUMBER DESIGNATIONS

MODEL NUMBER

| | | | | | | | | |
|--|---|----|---|----|---|---|----|---|
| MODEL NUMBER INTERNATIONAL SALES IND. OR MARKETING CHANNEL IF PRESENT | K | ES | C | 30 | 0 | H | BL | 4 |
| PRODUCT GROUP K = KITCHENAID | | | | | | | | |
| PRODUCT IDENTIFICATION DD = DUAL FUEL DROP-IN / SLIDE-IN DR = DUAL FUEL RANGE ED = ELECTRIC DROP-IN RANGE EE = ELECTRIC EYE-LEVEL RANGE ER = ELECTRIC STANDARD RANGE ES = ELECTRIC SLIDE-IN RANGE GD = GAS DROP-IN RANGE GE = GAS EYE-LEVEL RANGE GR = GAS STANDARD RANGE GS = GAS SLIDE-IN RANGE | | | | | | | | |
| MERCHANDISING SCHEME C = CERAMIC GLASS TOP H = CERAMIC W/HALOGEN I = IMPERIAL P = PROFESSIONAL / COMMERCIAL S = STANDARD T = TEMPERED GLASS TOP | | | | | | | | |
| CAPACITY / SIZE / SERIES / CONFIGURATION 1ST POSITION 1 = DROP-IN 2 = DROP-IN / SLIDE-IN COMBO 3 = SLIDE-IN 4 = COMMERCIAL 5 = STANDARD 7 = EYE-LEVEL 8 = 48" 9 = 60" 2ND POSITION 0 = 30" WIDE 6 = 36" WIDE | | | | | | | | |
| FEATURES 0 = STANDARD FEATURES 2 = PLUS FEATURES OR SEALED BURNERS W / GRILL / CONVECTION OVEN 3 = SEALED BURNERS W / GRIDDLE / CONVECTION OVEN 4 = SEALED BURNERS W / GRILL & GRIDDLE / CONVECTION OVEN 5 = DELUXE FEATURES 7 = DELUXE FEATURES / CONVECTION OR SEALED BURNERS / CONVECTION OVEN | | | | | | | | |
| YEAR OF INTRODUCTION H = 1999, J = 2000, K= 2001, L - 2002 | | | | | | | | |
| COLOR CODE BL = BLACK, WH = WHITE, BT = BISCUIT BS = BLACK ON STAINLESS | | | | | | | | |
| ENGINEERING CHANGE (NUMERIC) | | | | | | | | |

SERIAL NUMBER

| | | | | |
|---|----|---|----|-------|
| SERIAL NUMBER | IM | K | 31 | 73981 |
| MANUFACTURING SITE IM = MONTMAGNY | | | | |
| YEAR OF PRODUCTION K = 2000, L = 2001, M = 2002 | | | | |
| WEEK OF PRODUCTION 31 = 31ST WEEK | | | | |
| PRODUCT SEQUENCE NUMBER | | | | |

MODEL & SERIAL NUMBER LABEL LOCATION

The Model/Serial Number label location is shown below.

**Model & Serial Number Location
(Located Behind Storage Drawer)**



SPECIFICATIONS

| Model | KESC300H WH/BL/BT | KESC307H WH/BT/BS | KESH307H WH/BL/BS |
|-----------------------------------|------------------------------|------------------------------|------------------------------|
| Model Description | Slide-In | Slide-In | Slide-In Radiant/Halogen |
| Dimensions/Specifications | | | |
| Exterior Dimensions | | | |
| Height To Maintop (in) | 36" | 36" | 36" |
| Overall Depth Inc Hrdwr/Hndl (in) | 26.75" | 26.75" | 26.75" |
| Depth Without Handle (in) | 24.5" | 24.5" | 24.5" |
| Door Swing (in) | 21.75" | 21.75" | 21.75" |
| Shipping Weight (lbs) | 160 | 160 | 160 |
| Exterior | | | |
| Cabinet Finish | Painted | Painted | Painted |
| Front Frame | Porcelain | Porcelain | Porcelain |
| Leveling Legs | Yes | Yes | Yes |
| Oven Window Size and Type | Large/Glass | Large/Glass | Large/Glass |
| Removable Door and Hinges | Yes | Yes | Yes |
| Door Liner Finish | Porcelain | Porcelain | Porcelain |
| Door Type | Glass | Glass | Glass |
| Control Panel Location | Front | Front | Front |
| Control Panel Color | White | White | White |
| Control Panel Construction | Glass | Glass | Glass |
| Control Knob Type, #, Fcn | Infinite Switch Single Blade | Infinite Switch Single Blade | Infinite Switch Single Blade |
| Simmer Specialty Switch | Yes | Yes | Yes |
| Keep Warm Switch | Yes | Yes | Yes |
| Cooktop Features | | | |
| Cooktop Material | Ceran Top | Ceran Top | Ceran Top |
| Hot Surface Indicator | 4 Neon Cluster | 4 Neon Cluster | 4 Neon Cluster |
| Burner Box Finish | Galvanized | Galvanized | Galvanized |
| Cooktop Support Rods | No | No | No |
| Electric Cooktop Element | Yes | Yes | Yes |
| Electric Element Configuration | 6", 7", 8", 9.5" | 6", 7", 8", 9.5" | 6", 7", 8", 9.5" |
| Electric Element Type | Radiant | Radiant | Radiant |
| Electric Right Front Size | 7" | 7" | 7" |
| Electric RF Output (w@240/208v) | 1800W | 1800W | 1800W/Halogen |
| Electric Left Front Size | 9.5" | 9.5" | 9.5" |
| Electric LF Output (w@240/208v) | 2500W/1500W | 2500W/1500W | 2500W/1500W |
| Electric Right Rear Size | 8" | 8" | 8" |
| Electric RR Output (w@240/208v) | 2200W | 2200W | 2200W |
| Electric Left Rear Size | 6" | 6" | 6" |
| Electric LR Output (w@240/208v) | 1500" | 1500" | 1500" |
| Oven Controls | EOC | EOC | EOC |
| Oven Control Type | Glass Capacitive | Glass Capacitive | Glass Capacitive |
| Oven Control Location | Front | Front | Front |
| Control Lock Out | Yes | Yes | Yes |
| Delayed Cooking Option | Yes | Yes | Yes |
| Timer | in EOC | in EOC | in EOC |

| Model | KESC300H WH/BL/BT | KESC307H WH/BT/BS | KESH307H WH/BL/BS |
|-----------------------------------|-------------------|-------------------|-------------------|
| Interior | | | |
| Main Oven | | | |
| Cooking System | Conventional | Fan Convection | Fan Convection |
| Cleaning System | Self Cleaning | Self Cleaning | Self Cleaning |
| Auto Self Clean Latch | Yes | Yes | Yes |
| Oven Liner Finish | Porcelain | Porcelain | Porcelain |
| Oven Volume (cu ft) | 3.62 cu ft | 3.28 | 3.28 |
| Oven Height (in) | 15.75" | 15.75" | 15.75" |
| Oven Width (in) | 23 1/16" | 23 1/16" | 23 1/16" |
| Oven Depth (in) | 18.25" | 16 5/16" | 16 5/16" |
| Rack Guides # | 5 | 5 | 5 |
| Oven Racks # | 2 | 3 | 3 |
| Oven Rack Type & # Each | 2 Flat | | |
| Oven Rack | Yes | Yes | Yes |
| Broiler Pan | Yes | Yes | Yes |
| Broiler Pan Finish | Porcelain | Porcelain | Porcelain |
| Broiler Pan Grid Finish | Porcelain | Porcelain | Porcelain |
| Oven Light Number | 1 Incandescent | 2 Incandescent | 2 Incandescent |
| Main Electric Oven | Yes | Yes | Yes |
| Hidden Bake Element | No | Yes | Yes |
| Bake (W@240/208v) | 2500W | | |
| Broil Inner Elem (W@240/208v) | 1665W | 1665W | 1665W |
| Broil Outer Elem (W@240/208v) | 1000W | 1000W | 1000W |
| Oven Lower Panel/ Door | Yes | Yes | Yes |
| Drawer/Panel Front | Painted | Painted | Painted |
| Storage Drawer Liner | Yes | Yes | Yes |
| Drawer/Panel Height (in) | 5.1" | 5.1" | 5.1" |
| Drawer/Panel Width (in) | 23.3" | 23.3" | 23.3" |
| Drawer/Panel Depth (in) | 20" | 20" | 20" |
| Glides | Nylon Rollers | Nylon Rollers | Nylon Rollers |
| Lower Drawer Handle Type/Material | Formed at Top | Formed at Top | Formed at Top |
| Lower Drawer Handle Color | White | White | White |
| Product Literature | | | |
| Cookbook | No | Yes | Yes |
| Installation Instructions | 9752043 B | 9752043 B | 9752043 B |
| Tech Sheet | 9753027 | 9753027 | 9753027 |
| Use & Care Guide | Yes | Yes | Yes |
| Other | Ceran Polish Incl | Ceran Polish Incl | Ceran Polish Incl |
| Agency Approvals | UL,CSA | UL,CSA | UL,CSA |
| Anti-tip Device With Unit | Floor | Floor | Floor |

KITCHENAID ELECTRIC RANGE WARRANTY

| LENGTH OF WARRANTY | KITCHENAID WILL PAY FOR: |
|---|--|
| FULL ONE YEAR WARRANTY From Date of Purchase. | Replacement parts and repair labor costs to correct defects in materials or workmanship. Service must be provided by a KitchenAid designated servicing outlet. |
| SECOND THROUGH FIFTH YEAR LIMITED WARRANTY From Date of Purchase. | Replacement parts for any electric element to correct defects in materials or workmanship. Replacement ceramic glass if breakage is due to defects in materials or workmanship. Replacement parts for solid state touch control system to correct defects in materials or workmanship. |
| SECOND THROUGH TENTH YEAR LIMITED WARRANTY From Date of Purchase. | Replacement parts for the porcelain oven cavity / inner door if the part rusts through due to defects in materials or workmanship. |

KITCHENAID WILL NOT PAY FOR:

- A. Service calls to:
 - 1. Correct the installation of the range.
 - 2. Instruct you how to use the range.
 - 3. Replace house fuses or correct house wiring.
- B. Repairs when range is used in other than normal, single family household use.
- C. Damage resulting from accident, alteration, misuse, abuse, fire, flood, acts of God, improper installation, or installation not in accordance with local electrical codes.
- D. Any labor costs during the limited warranties.
- E. Replacement parts or repair labor costs for units operated outside the United States and Canada.
- F. Pickup and delivery. Your range is designed to be repaired in the home.
- G. Repairs to ceramic glass cooktop if it has not been cared for as recommended in the Use and Care Guide.
- H. Repairs to parts or systems resulting from unauthorized modifications made to the appliance.
- I. In Canada, travel or transportation expenses to customers who reside in remote areas.

KITCHENAID OR KITCHENAID CANADA DO NOT ASSUME ANY RESPONSIBILITY FOR INCIDENTAL OR CONSEQUENTIAL DAMAGES. Some states or provinces do not allow the exclusion or limitation of incidental or consequential damages, so this exclusion or limitation may not apply to you. This warranty gives you special legal rights, and you may also have other rights which vary from state-to-state or province-to-province.

Outside the United States and Canada, a different warranty may apply. For details, please contact your authorized KitchenAid dealer.


If you need service first see the "Troubleshooting" section of the Use and Care Guide. After checking "Troubleshooting," additional help can be found by checking the "Requesting Assistance or Service" section, or by calling our Customer Interaction Center telephone numbers, listed below, from anywhere in the U.S.A. or Canada.

KitchenAid: **1-800-422-1230**
 Canadian Residents call: **1-800-807-6777**

— NOTES —

INSTALLATION INFORMATION

ELECTRICAL SUPPLY REQUIREMENTS

| |
|--|
| ⚠ WARNING |
|  |
| Electrical Shock Hazard Electrically ground range. Failure to do so can result in death, fire, or electrical shock. |

GENERAL

If codes permit, and a separate grounding wire is used, it is recommended that a qualified electrician determine that the grounding path is adequate.

Do not ground to a gas pipe.

Check with a qualified electrician if you are not sure that the range is grounded.

Do not have a fuse in the neutral or ground circuit.

1. When a 4-wire or 3-wire, single-phase, 120/240-volt, 60-Hz, AC-only electrical supply is available, a 50-ampere maximum circuit protection is required, (or, if specified on the model/serial plate, when a 4-wire, or 3-wire, single-phase, 120/208-volt, 60 Hz, AC-only electrical supply is available, a 40-ampere maximum circuit protection is required), fused on both sides of the line. A time-delay fuse, or circuit breaker is recommended. The model/serial rating plate is located behind the storage drawer (see page 1-4).

2. Wire sizes and connections must conform to the requirements of the National Electrical Code, ANSI/NFPA 70—latest edition*, or CSA Standard C22.1, Canadian Electrical Code, Part 1—latest edition**, and all local codes and ordinances for the kilowatt rating of the range.

Copies of the standards listed may be obtained from:

* **National Fire Protection Association**
Batterymarch Park
Quincy, Massachusetts 02269

** **CSA International**
8501 East Pleasant Valley Road
Cleveland, Ohio 44131-5575

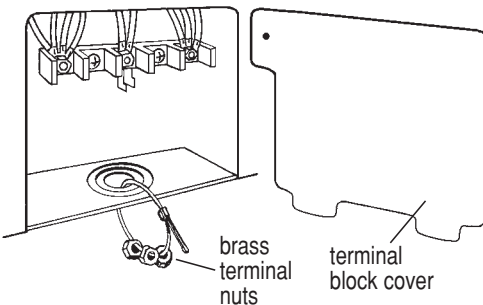
3. This range can be connected directly to the fused disconnect, or circuit breaker box, through flexible, armored, or nonmetallic sheathed, copper cable (with ground wire). Locate the junction box to allow two to three feet of slack in the line so that the range can be moved, if servicing is ever necessary. Do not cut the conduit.

A U.L.-listed conduit connector must be provided at each end of the power supply cable, at the range, and at the junction box. Wire sizes, (copper wire only), and connections, must conform with the rating of the range.

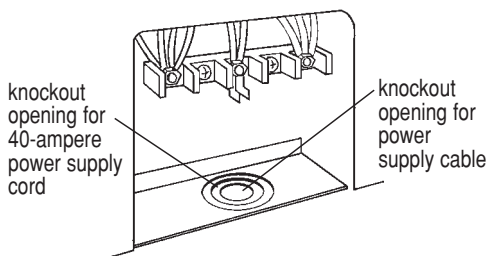
ELECTRICAL CONNECTIONS (Not used for Canadian Installations)

This range can be connected directly to the fused disconnect, or circuit breaker box, through flexible, armored, or nonmetallic sheathed, copper cable with a grounding wire. Allow two to three feet of slack in the line so that it can be moved if servicing is ever necessary.

A U.L.-listed conduit connector must be provided at each end of the power supply cable at the range, and at the junction box.



Remove the terminal block cover located on the back of the range.

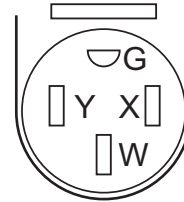


Depending on the electrical supply, make the 4-wire or the 3-wire connection to the range, following the instructions under the “Power Supply Cord Connection,” (page 2-3), or the “Direct Wire Connection” (page 2-5).

4-Wire Electrical System

This range is manufactured with the ground connected to the cabinet. The ground must be revised so that the green grounding wire of the 4-wire power supply cord is connected to the cabinet (refer to the “4-wire Electrical Connection” section).

4-Wire
Receptacle
14-50R



When a 4-wire receptacle of NEMA type 14-50R is used, a matching U.L.-listed, 4-wire, 250-volt, 40-ampere range power supply cord (pigtail) must be used.

This cord contains four copper conductors with ring terminals at the appliance end, terminated in a NEMA type 14-50P plug on the supply end. The fourth (grounding) conductor must be identified by a green or green/yellow cover, and the neutral conductor by a white cover. The cord should be type SRD, or SRDT, with a U.L.-listed strain relief, and be at least four feet long.

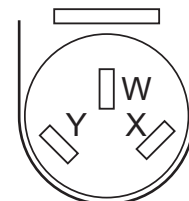
The minimum conductor sizes for the copper 4-wire power cord are:

- (2) #8 conductors
- (1) #10 white neutral
- (1) #8 green grounding

3-Wire Electrical System

Local codes may permit the use of a U.L.-listed, 250-volt, 40-ampere range power supply cord (pigtail). This cord contains three # 10 copper wires, and matches a three-wire receptacle of NEMA Type 10-50R.

3-Wire
Receptacle
10-50R



Connectors on the appliance end must be provided at the point the power supply cord enters the appliance.

POWER SUPPLY CORD CONNECTION

⚠ WARNING



Electrical Shock Hazard

Turn power supply off before connecting wires.

Electrically ground range.

Failure to do so can result in death, fire, or electrical shock.

Warning: Improper connection of the equipment-grounding conductor can result in a risk of electric shock.

Check with a qualified electrician, or serviceman, if you are in doubt as to whether the appliance is properly grounded.

Do not modify the power supply cord plug. If it will not fit the outlet, have a proper outlet installed by a qualified electrician.

1. Disconnect the power supply.
2. Remove the screws from the terminal block cover.
3. Remove the 3/8" brass nuts that are attached to the knockout opening and set them aside. Use these brass nuts to secure the ring-type terminals on the power supply cord to the terminal block screws.

NOTE: Use only ring-type terminals to connect the power supply cord.

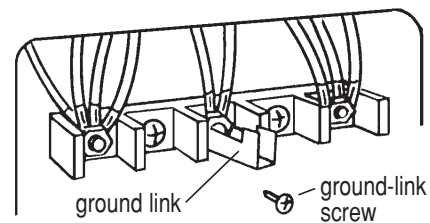
4. Remove the knockout for the 40-ampere power supply cord.
5. Mount a U.L.-listed strain relief in the knockout opening.
6. Insert the power supply cord through the strain relief, and allow enough slack so you can easily attach the wiring to the terminal block.

7. Depending on the type of electrical system, proceed to "4-Wire Electrical Connection," or "3-Wire Electrical Connection," (on page 2-4), and complete the wiring.

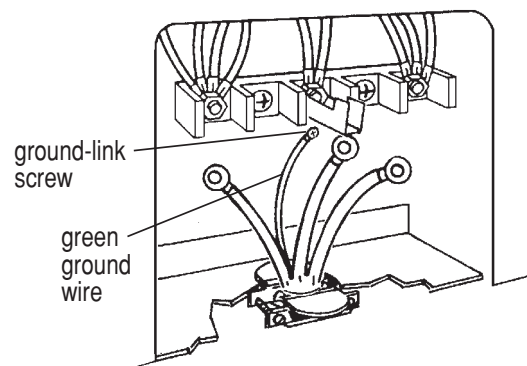
4-Wire Electrical Connection

Use this method for mobile homes, and whenever 4-wire installation is required.

1. Remove the ground-link screw from the range frame and set the screw aside.
2. Bend the ground link up so that it does not contact the range.

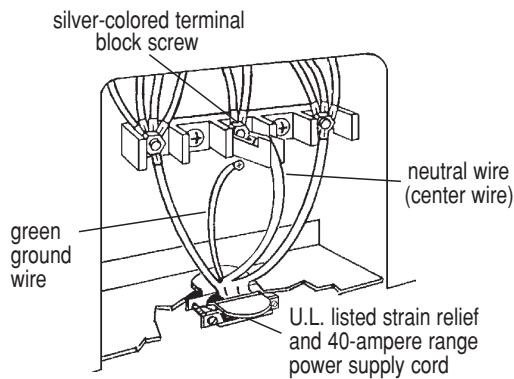


3. Connect the green ground wire on the power supply cord to the ground link screw hole in the range with the ground-link screw you removed earlier. Make sure that the bare ground wire does not contact the adjacent terminal block connections.

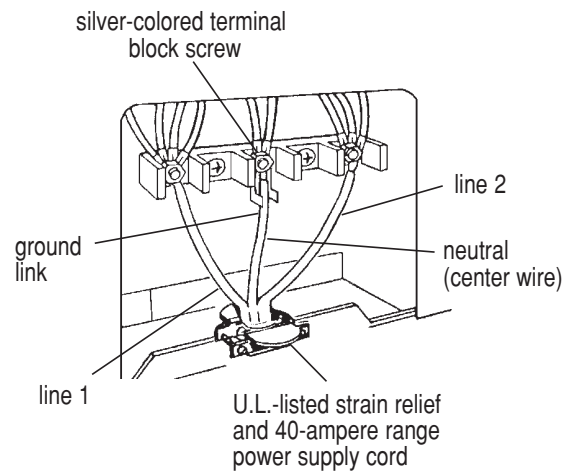


NOTE: Do not loosen the factory-installed nuts on the terminal block when you perform the following steps.

4. Connect the neutral (white) wire of the power supply cord to the center, silver-colored terminal screw on the terminal block, and secure it with one of the 3/8" brass nuts that you set aside earlier.
5. Connect the remaining two power supply cord wires to the outer terminals of the terminal block, and secure them with 3/8" brass nuts.
6. Tighten the strain relief screws to secure the power supply cord.
7. Install the terminal block cover.



1. Connect the neutral (white) wire of the power supply cord to the center, silver-colored terminal screw on the terminal block, and secure it with one of the 3/8" brass nuts that you set aside earlier.
2. Connect the remaining two power supply cord wires to the outer terminals of the terminal block, and secure them with 3/8" brass nuts.
3. Tighten the strain relief screws to secure the power supply cord.
4. Install the terminal block cover.



3-Wire Electrical Connection

Use this method only if local codes permit connecting a cabinet-grounded conductor to the neutral wire of the power supply cord.

NOTE: Do not loosen the factory-installed nuts on the terminal block when you perform the following steps.

DIRECT WIRE CONNECTION

⚠ WARNING



Electrical Shock Hazard

Turn power supply off before connecting wires.

Electrically ground range.

Failure to do so can result in death, fire, or electrical shock.

This range must be connected to a grounded, metallic, permanent wiring system, or a ground connector should be connected to the ground terminal, or to the ground wire lead on the range.

The conductors at the terminal block must be copper wire only.

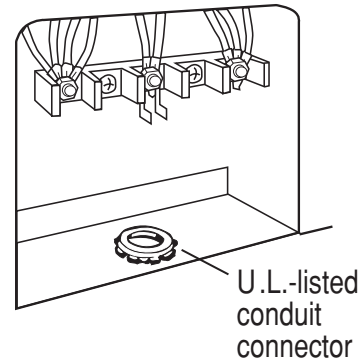
If the house has aluminum wiring, perform steps 1 through 3, otherwise skip those steps.

1. Connect a section of 8-gauge, solid copper wire to the terminal block.
2. Connect the aluminum wiring to the added section of copper wire using special connectors that were designed by Underwriters Laboratories for joining copper to aluminum. Follow the procedure recommended by the manufacturer to connect the wires.
3. The aluminum-to-copper connections must conform with local codes and industry accepted wiring practice.

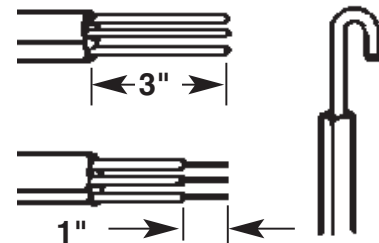
4. Disconnect the power supply.
5. Remove the screws from the terminal block cover.
6. Remove the 3/8" brass nuts that are attached to the knockout opening and set them aside. Use these brass nuts to secure the ring-type terminals on the power supply cord to the terminal block screws.

NOTE: Use only ring-type terminals to connect the power supply cord.

7. Remove the knockout for the 40- ampere power supply cord.
8. Mount a U.L.-listed strain relief in the knockout opening.



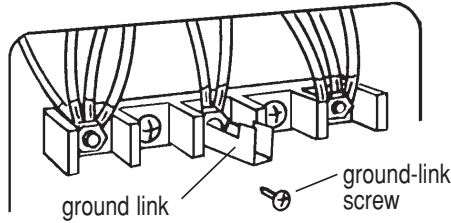
9. Strip 3" of outer covering from the end of each wire on the power supply cord.
10. Form a hook in the bare wire ends of the power supply cord.



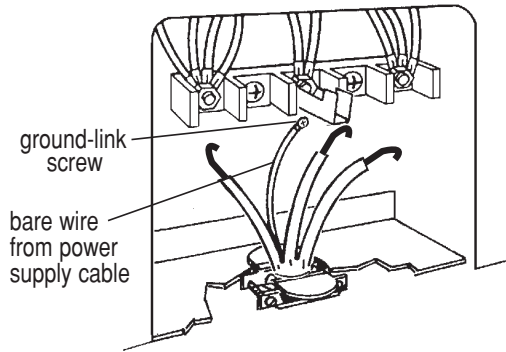
11. Insert the power supply cord through the strain relief, and allow enough slack so you can easily attach the wiring to the terminal block.
12. Depending on the type of electrical system, proceed to "4-Wire Electrical Connection," (on page 2-6), or "3-Wire Electrical Connection," (on page 2-7), and complete the wiring.

4-Wire Electrical Connection

1. Remove the ground-link screw from the range frame and set the screw aside.
2. Bend the ground link up so that it does not contact the range.

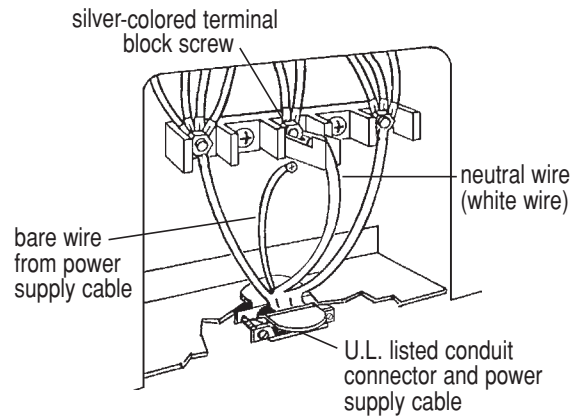


3. Connect the green ground wire on the power supply cord to the ground link screw hole in the range with the ground-link screw you removed earlier. Make sure that the bare ground wire does not contact the adjacent terminal block connections.



NOTE: Do not loosen the factory-installed nuts on the terminal block when you perform the following steps.

4. Connect the neutral (white) wire of the power supply cord to the center, silver-colored terminal screw on the terminal block, and secure it with one of the 3/8" brass nuts that you set aside earlier.
5. Connect the remaining two power supply cord wires to the outer terminals of the terminal block, and secure them with 3/8" brass nuts.
6. Tighten the strain relief screws to secure the power supply cord.
7. Install the terminal block cover.



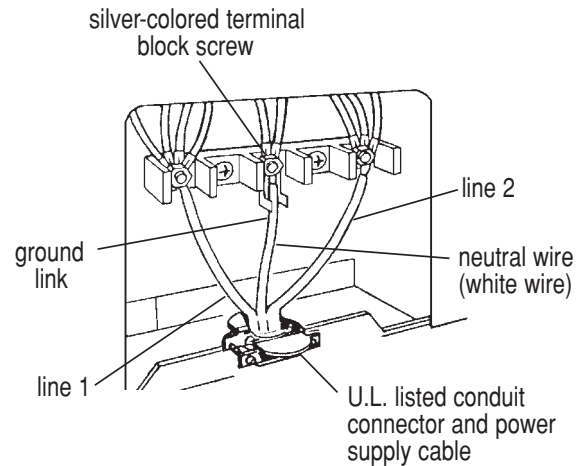
3-Wire Electrical Connection

Use this method only if local codes permit connecting a cabinet-grounded conductor to the neutral wire of the power supply cord.

NOTE: Do not loosen the factory-installed nuts on the terminal block when you perform the following steps.

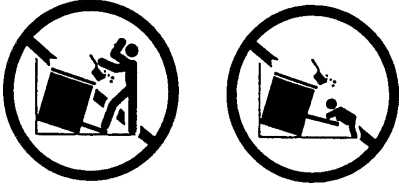
1. Connect the neutral (white) wire of the power supply cord to the center, silver-colored terminal screw on the terminal block, and secure it with one of the 3/8" brass nuts that you set aside earlier.

2. Connect the remaining two power supply cord wires to the outer terminals of the terminal block, and secure them with 3/8" brass nuts.
3. Tighten the strain relief screws to secure the power supply cord.
4. Install the terminal block cover.



MOVING THE RANGE

!WARNING



Tip-Over Hazard

A child or adult can tip the range and be killed.

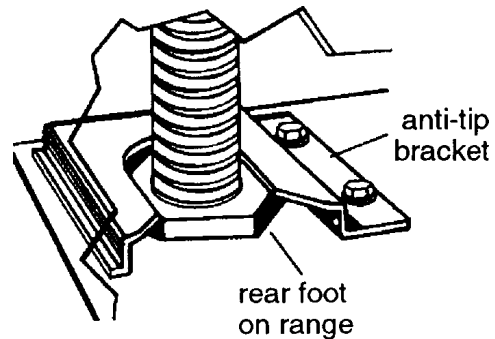
Connect anti-tip bracket to rear range foot.

Reconnect the anti-tip bracket, if the range is moved.

Failure to follow these instructions can result in death or serious burns to children and adults.

Before moving the range, slide it onto a piece of cardboard, or hardboard, to prevent damaging the floor covering, and perform the following steps:

1. Unplug range or disconnect power.
2. Slide the range forward and disengage the foot with the anti-tip bracket. **IMPORTANT:** Make sure the anti-tip bracket is securely attached to floor.



3. Slide range back so the rear foot engages in the anti-tip bracket.
4. Check to see that the range is level.
5. Reconnect the electrical supply cord.

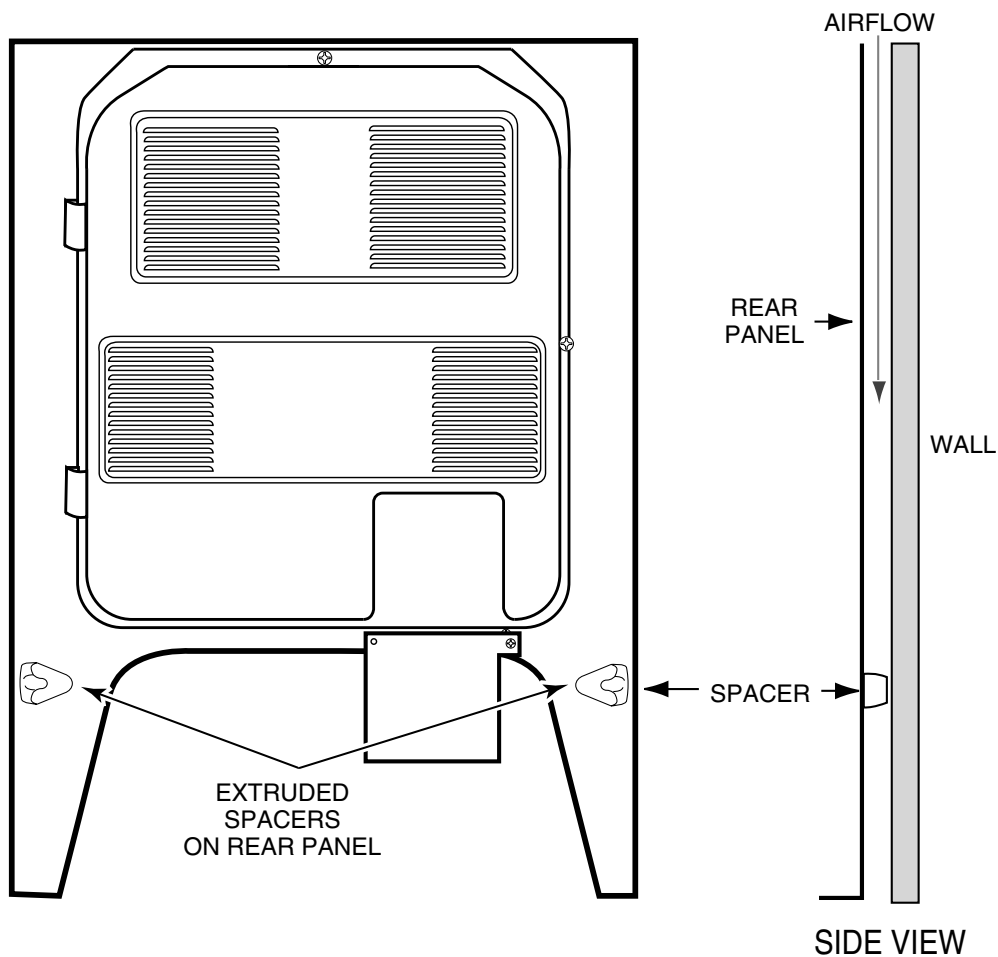
THEORY OF OPERATION

AIR FLOW — REAR PANEL

The electric range needs sufficient air to properly cool the oven. In addition, proper air flow through the electric range also keeps the front control panel from becoming too hot while the elements are operating, and causing operational problems.

To help provide the proper air flow along the back of the range, the rear panel of the range has a spacer on each side toward the bottom.

When the range is installed, these spacers should just come in contact with the surface of the wall. If they are accidentally bent in, proper spacing will be lost, and the oven will not heat properly. Also, the front control panel may become overly warm, and cause the bimetal switches to trip, shutting down the operation. If any of these problems occur, it is most likely because of air flow restrictions.

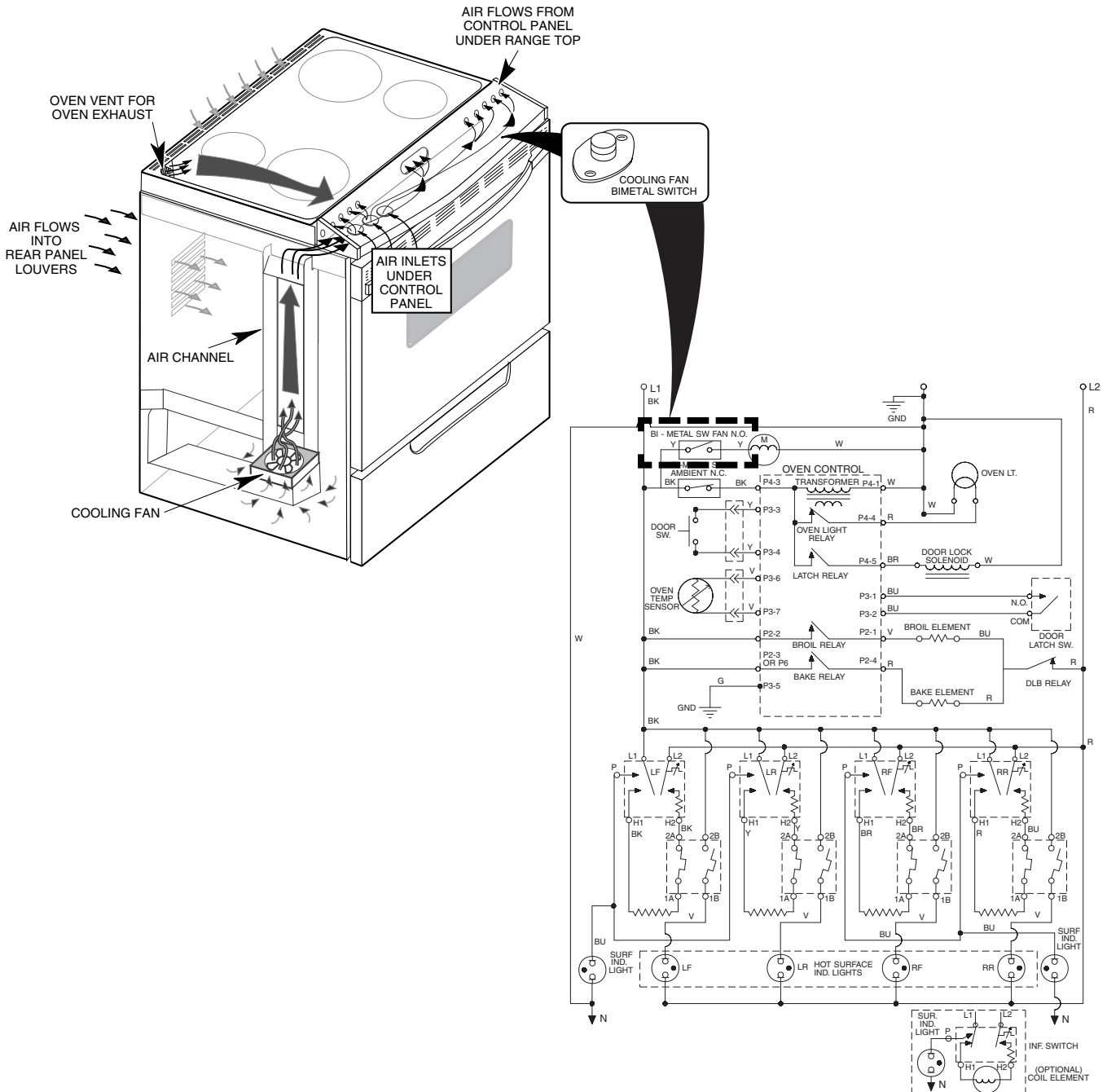


COOLING FAN AIR FLOW

The cooling fan is in series with the cooling fan bimetal switch, which is located under the right side of the control panel. When the temperature of the chassis reaches 40°C (104°F), the bimetal switch closes, and turns on the cooling fan.

The cooling fan draws air from inside the base of the cabinet. It forces the air up the air channel, which is located under the left side panel,

to the opening at the end of the control panel. Air then flows across the chassis below the control panel, and cools it. Air enters through the series of holes in front of the range top, flows beneath it, and exits to the outside through slots in the rear panel. When the control panel chassis temperature drops below 40°C (104°F), the bimetal switch opens, and turns the cooling fan off.

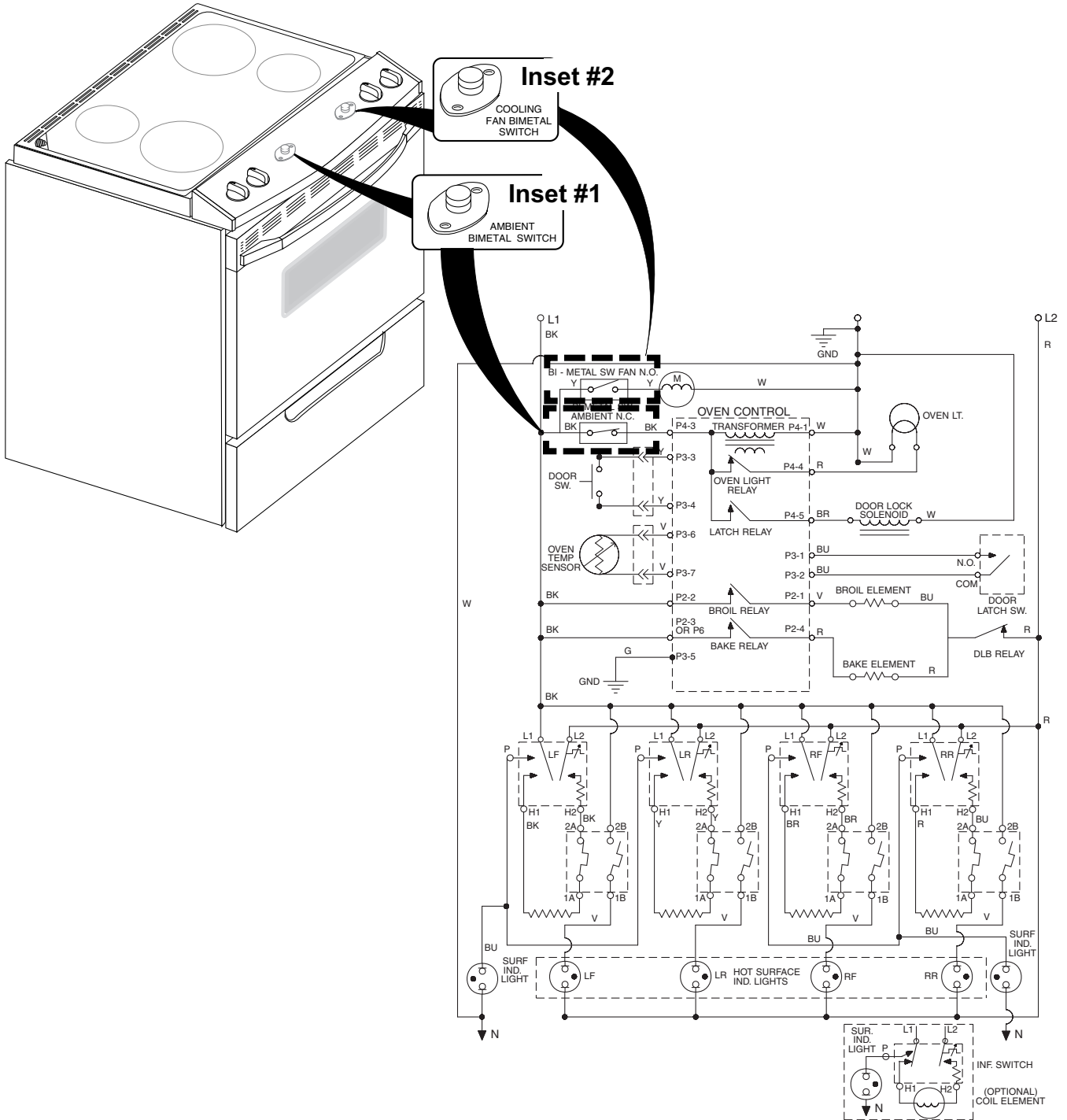


THE BIMETAL SWITCHES

There are two bimetal switches on the electric range. The switches operate as follows:

- **Ambient Bimetal Switch (N.C.)** (Inset #1) —This switch is located under the left side of the control console. It opens the L1 circuit to the electronic control board if the console temperature reaches 96°C/205°F.

- **Cooling Fan Bimetal Switch (N.O.)** (Inset #2) —This switch is located under the right side of the control console. It turns the cooling fan on if the console temperature reaches 70°C/158°F.

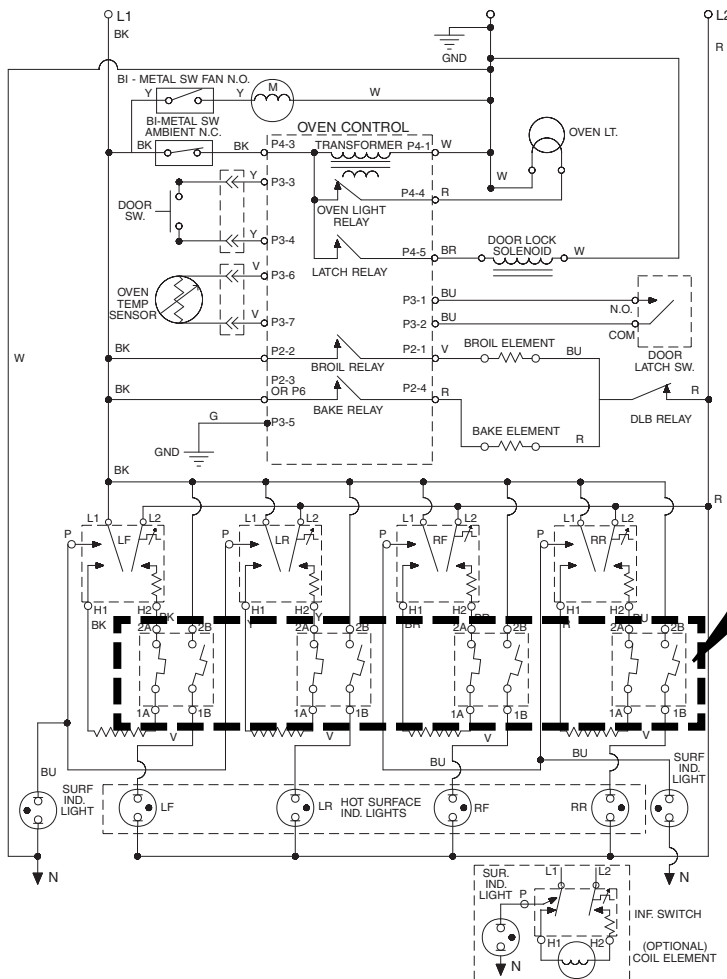
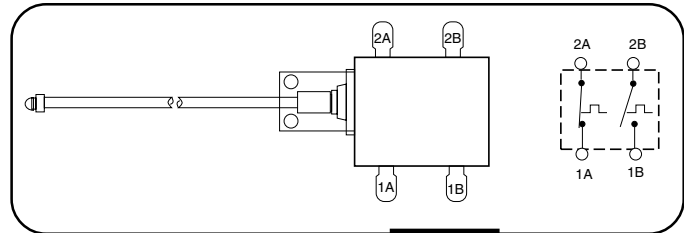
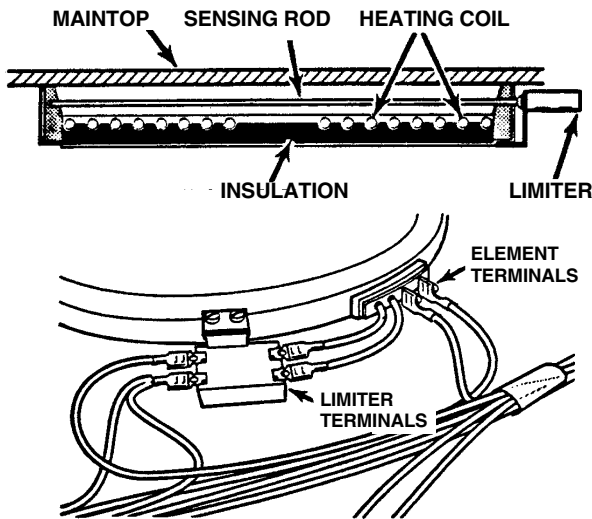


THE SURFACE ELEMENT LIMITER

The surface element limiter is a safety device that is mounted in the surface element circuit .

The limiter monitors the temperature of the cooktop glass in two ways:

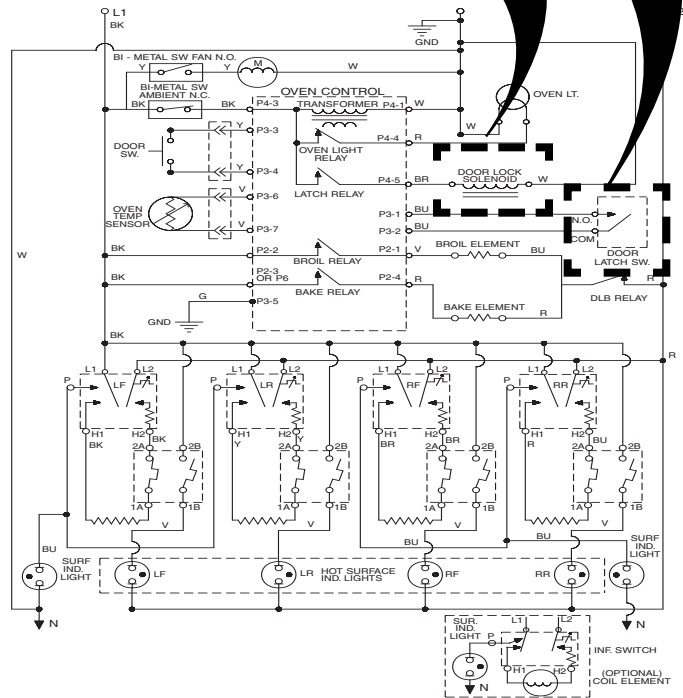
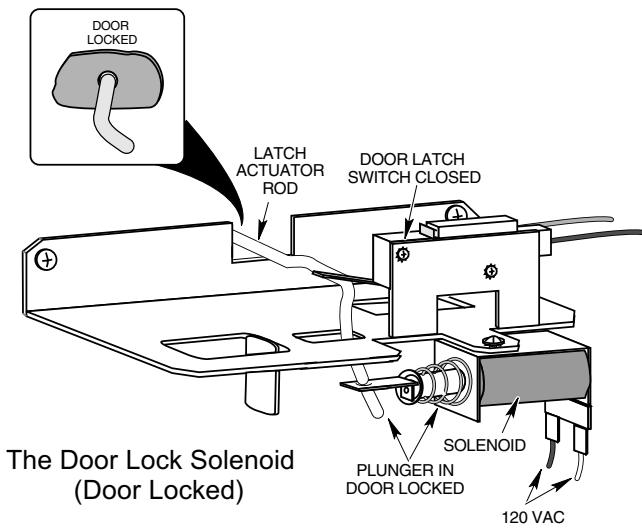
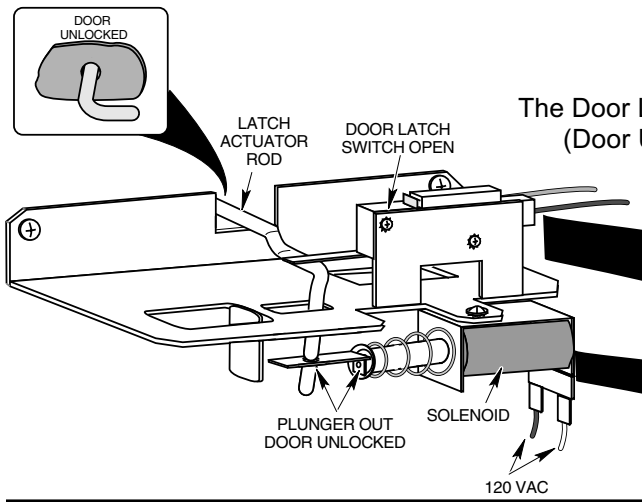
- a) Circuit 1A to 2A, which is a normally-closed (N.C.) switch, opens at 1025°F and protects the ceran glass from heat damage.
- b) Circuit 1B to 2B, which is a normally-open switch (N.O.) switch, closes and turns on the hot surface indicator lights if the temperature of the cooktop is greater than 150°F. This switch will remain closed until the ceran glass is warm enough to touch.



THE DOOR LOCK SOLENOID & DOOR LATCH SWITCH

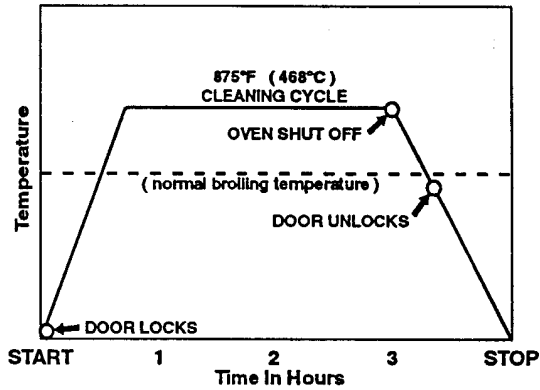
The door lock solenoid operates on a 120-volt pulse from the electronic control board. When the door is in the unlocked position, the plunger is extended. When the door latch switch is open, the control senses that the door is unlocked. When the door latch switch closes, the control senses that the door is locked. The door latch switch, mounted on the solenoid bracket, is in the N.O. (normally-open) position. During

the self-clean cycle, the control board sends a 120-volt pulse to the solenoid windings, which pulls the plunger in, and moves the latch actuator rod to lock the oven door. The movement of the rod also actuates the door latch switch and closes it. When the self-clean cycle is over, the control board sends a 120-volt pulse to the solenoid, the plunger is pushed out, the latch actuator rod releases the door, and the door latch switch opens.



HOW THE SELF-CLEAN CYCLE WORKS

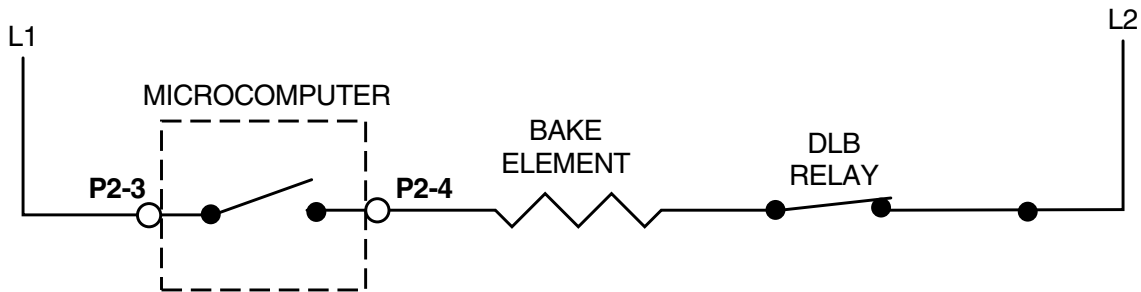
The Self-Clean cycle uses high heat to burn away soil and grease from inside the oven. During this cycle, the oven will get much hotter than it does under normal baking and broiling conditions (see the following chart).



The oven is preset for a 3-1/2 hour Self-Clean cycle. However, you can adjust this cycle time to between 2-1/2 and 4-1/2 hours. The chart shows a normal 3-1/2 hour Self-Clean cycle. Note that although the heating turns off after 3 hours, the door will remain locked for an additional 1/2 hour so the oven can cool sufficiently.

During the Self-Clean cycle, the bake element is on all the time. If the door latch switch is not activated during the clean operation, the cycle is terminated and the display will show "close door."

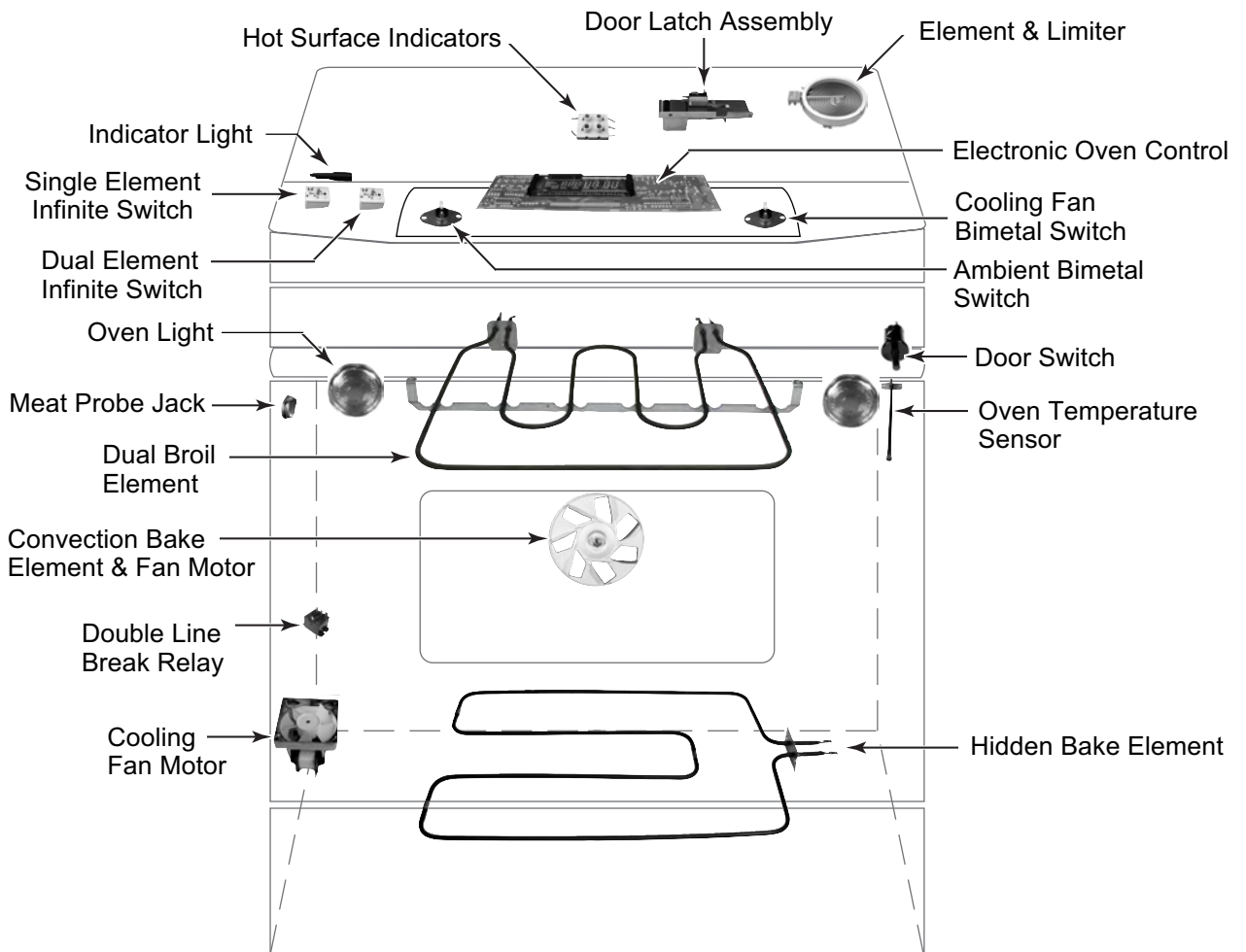
AFTER 30 MINUTES OF CLEAN



COMPONENT ACCESS

This section instructs you on how to service each component inside the range. The range components and their locations are shown below.

COMPONENT LOCATIONS



REMOVING THE CONTROL PANEL, AN INFINITE SWITCH & BIMETAL SWITCH

⚠️ WARNING



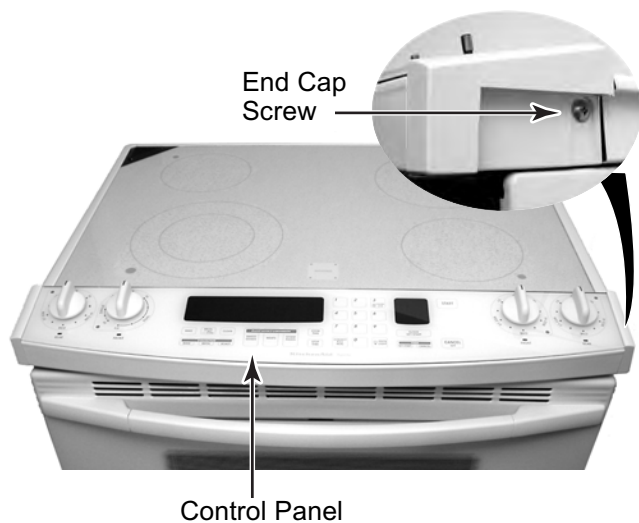
Electrical Shock Hazard

Disconnect power before servicing.

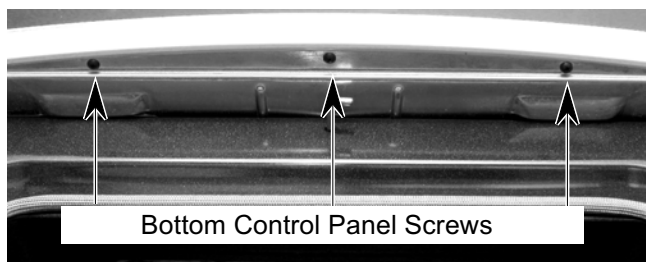
Replace all parts and panels before operating.

Failure to do so can result in death or electrical shock.

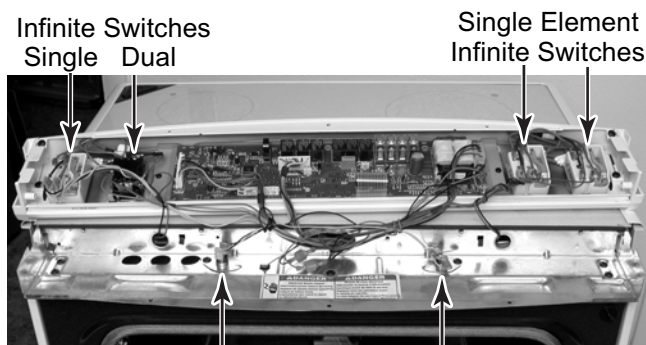
1. Unplug range or disconnect power.
2. Pull the range forward far enough to access the end cap screws.
3. **To remove the control panel:**
 - a) Remove the screw from each end cap.



- b) Open the oven door and remove the three screws from the bottom of the control panel (see the photo at the top of the right column).



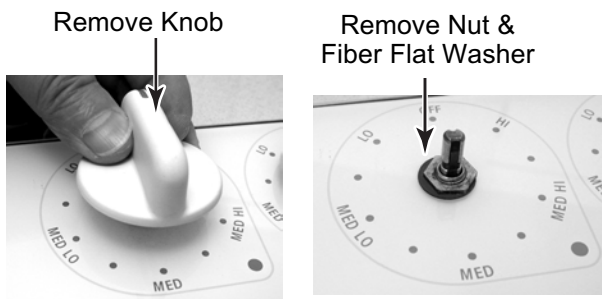
- c) Lift the front of the control panel, pull it forward, and slide the front edge of the cooktop glass out of the slot in the front of the panel.
 - d) Rotate the control panel up and over so the bottom side faces up.



| | |
|---|--|
| <p>Ambient (N.C.) Bimetal Switch Opens @ 96°C (205°F) Resets @ 74°C (165°F)</p> | <p>Cooling Fan (N.O.) Bimetal Switch Resets @ 70°C (158°F) Closes @ 60°C (140°F)</p> |
|---|--|

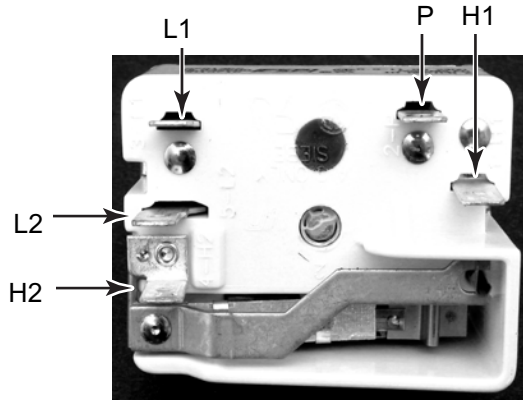
4. To remove an infinite switch:

- a) Pull the knob off the switch you wish to service and remove the nut and fiber flat washer.

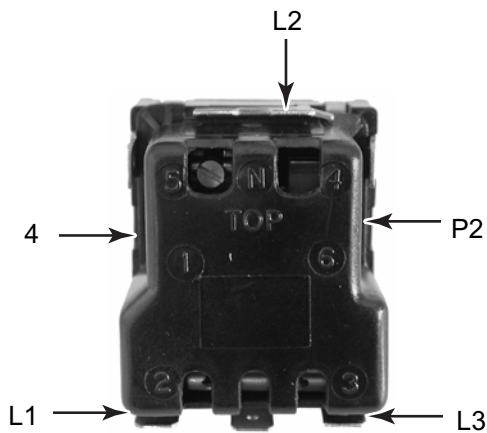


- b) Remove the wires from the infinite switch terminals and remove the switch. NOTE: The terminal callouts are shown on the next page.

(3) Single Infinite Switch



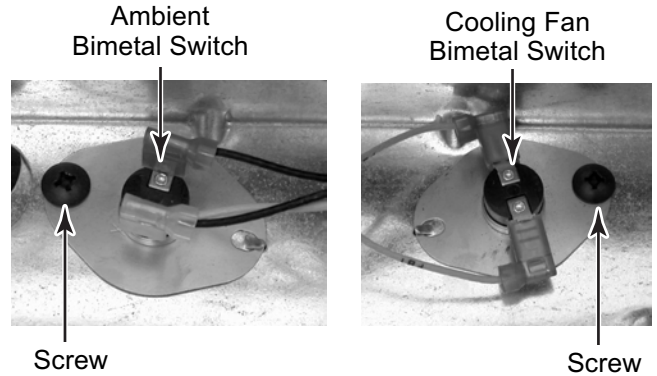
(1) Dual Infinite Switch



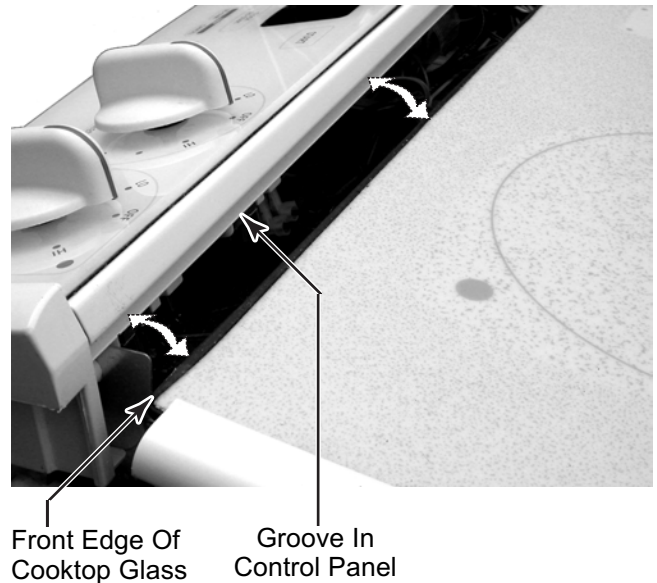
NOTE: Refer to the Tech Sheet Wiring Diagram that is supplied with the unit to determine the wiring for the infinite switch you are servicing.

5. To remove a bimetal switch:

- a) Remove the wires from the terminals.
- b) Remove the mounting screw.



REASSEMBLY NOTE: When reinstalling the control panel, insert the groove in the front of the panel over the front edge of the cooktop glass, and lower it onto the front of the range. Be careful not to pinch any of the wires between the front edge of the control panel and the chassis.



REMOVING THE ELECTRONIC OVEN CONTROL AND AN INDICATOR LIGHT

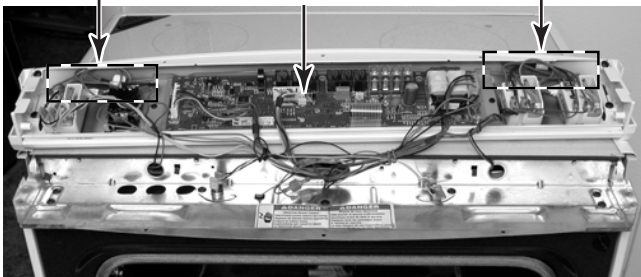
⚠ WARNING



Electrical Shock Hazard
Disconnect power before servicing.
Replace all parts and panels before operating.
Failure to do so can result in death or electrical shock.

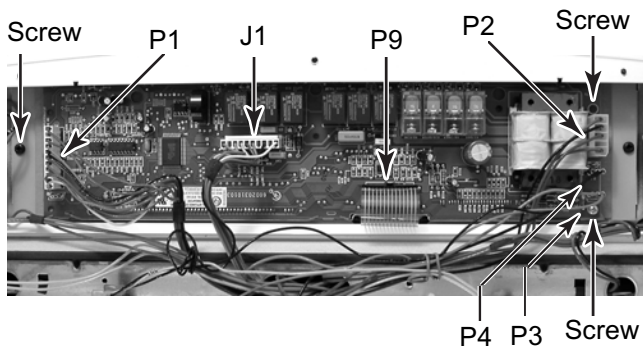
1. Unplug range or disconnect power.
2. Remove the control panel from its subchassis, (see page 4-2 for the procedure), and rotate it forward onto the cooktop glass.

(2) Indicator Lights (3) Indicator Lights
 Electronic Oven Control

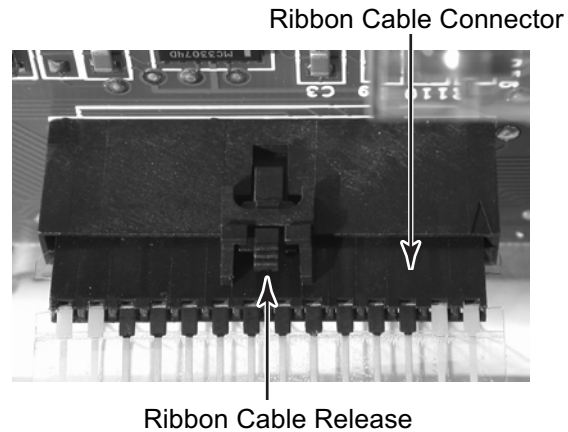


3. To remove the electronic oven control:

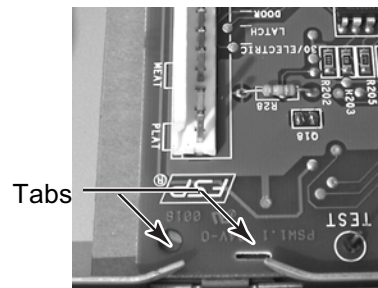
- a) Disconnect the wire connectors at P1, J1, P2, P3, and P4.



- b) Press down on the ribbon cable release arm, and disconnect the ribbon cable from the connector at P9.

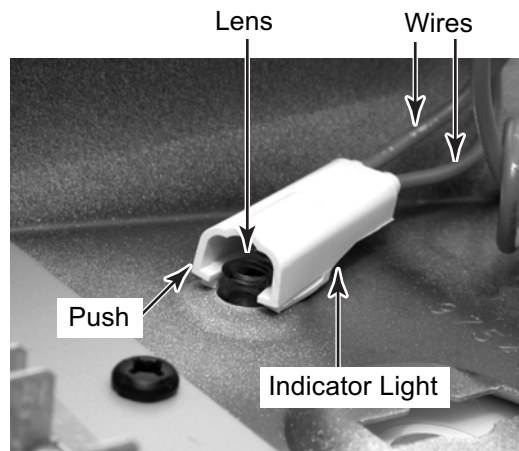


- c) Remove the screws from the board.
- d) Straighten the bracket tabs at the top and bottom of the board, and remove the board from the bracket.



4. To remove an indicator light:

- a) Push on the body and slide it off the shoulder of the lens.
- b) Disconnect the two indicator wires.



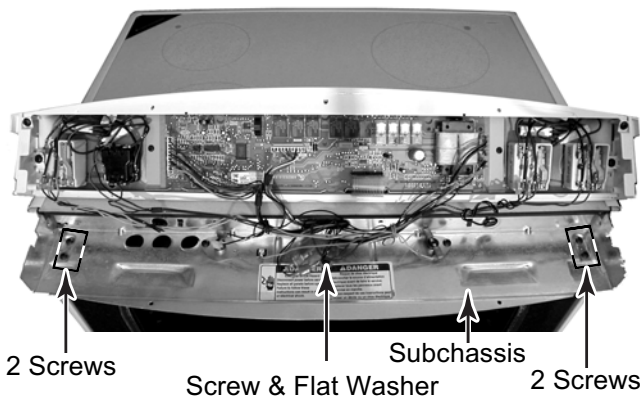
REMOVING AN ELEMENT & LIMITER AND THE HOT SURFACE INDICATOR ASSEMBLY

⚠ WARNING



Electrical Shock Hazard
Disconnect power before servicing.
Replace all parts and panels before operating.
Failure to do so can result in death or electrical shock.

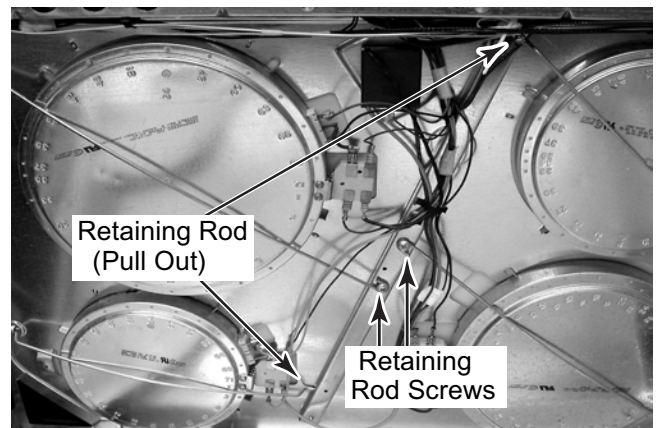
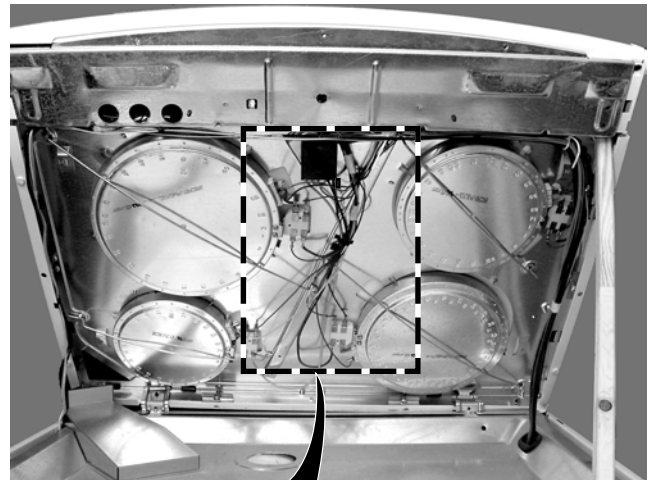
1. Unplug range or disconnect power.
2. Remove the control panel from its subchassis, (see page 4-2 for the procedure), and rotate it forward onto the cooktop glass.
3. Remove the five screws and flat washer from the control panel subchassis.



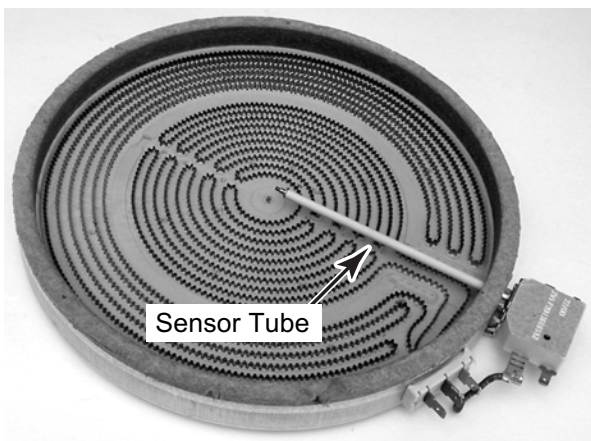
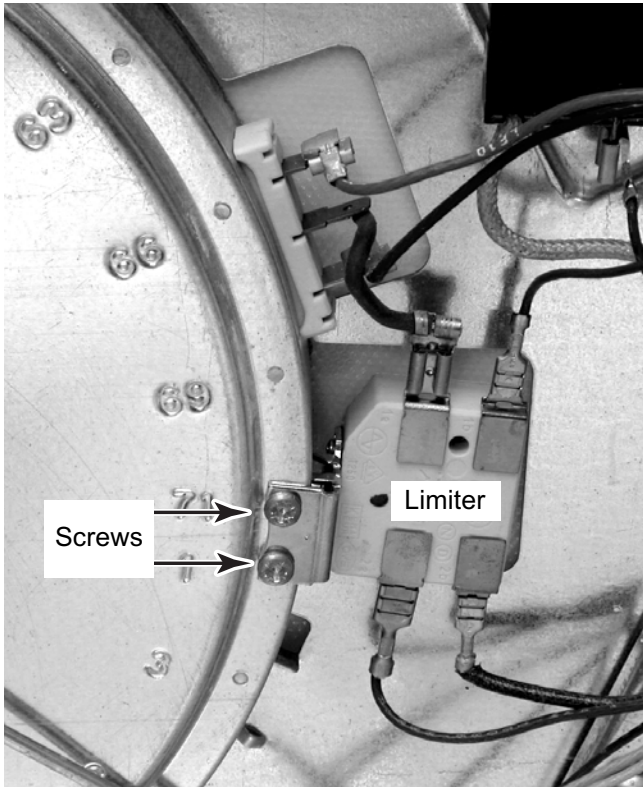
4. Move the control panel back into place over the chassis, then lift the front of the cooktop assembly, and prop it up with a piece of board so that you can access the components (see the photo at the top of the next column). **CAUTION:** Be careful that the cooktop does not accidentally fall.



5. To remove an element and limiter:
 - a) Remove the wires from the element and limiter terminals.
 - b) Remove the screw, or pull the end of the retaining rod out of the bracket, and remove the element and limiter from the bottom of the cooktop.

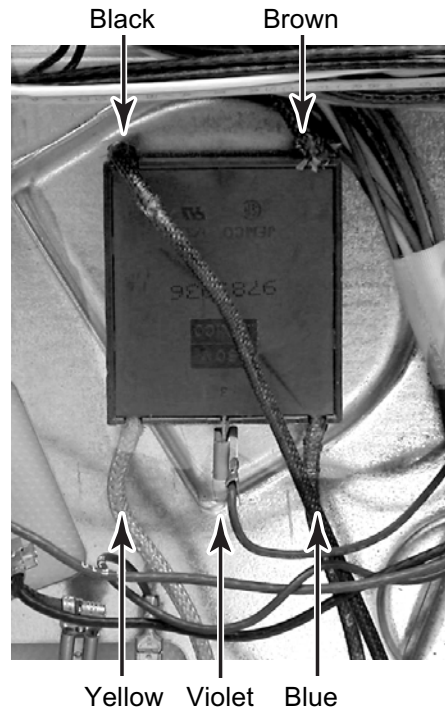


- c) Lay the element and limiter on a work surface. Remove the screws from the limiter and remove it from the element. NOTE: Be careful when you remove the limiter that you do not break the sensor tube (see below).

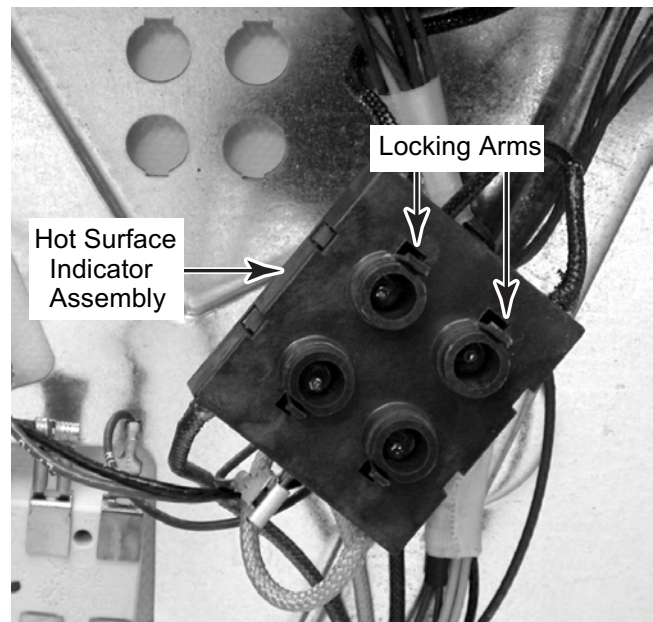


6. **To remove the hot surface indicator assembly:**

- a) Disconnect the hot surface indicator wires.



- b) Grasp the hot surface indicator assembly and push it toward the front of the unit, then pull down the rear edge, unclip the locking arms from the cooktop, and remove the assembly.



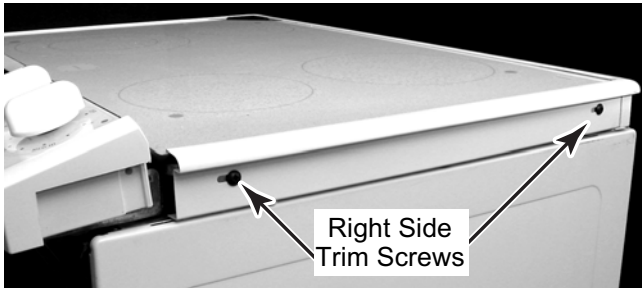
REMOVING THE COOKTOP GLASS

!WARNING



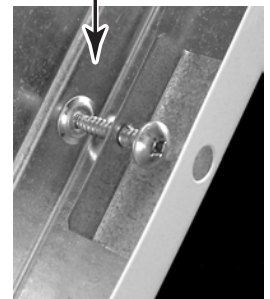
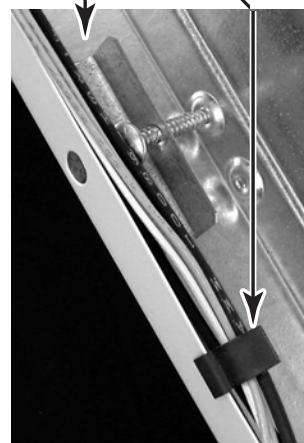
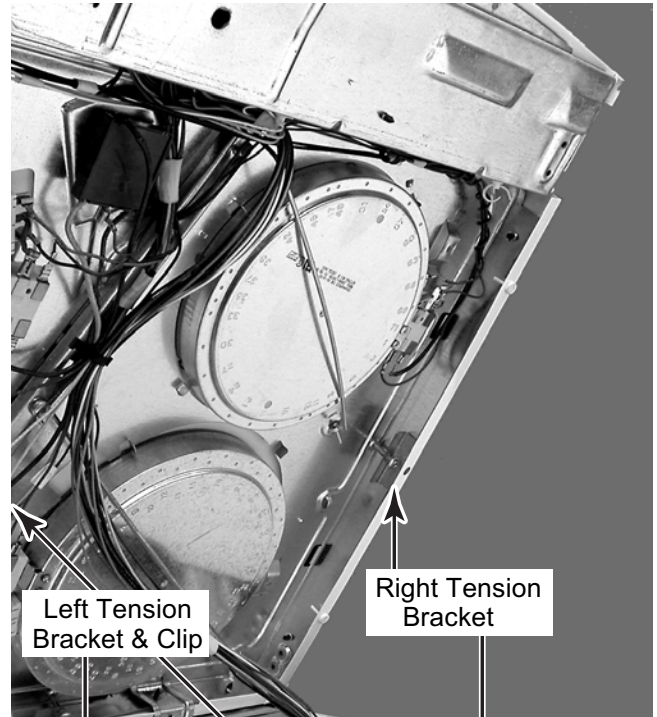
Electrical Shock Hazard
Disconnect power before servicing.
Replace all parts and panels before operating.
Failure to do so can result in death or electrical shock.

1. Unplug range or disconnect power.
2. Pull the range out of its mounting location so that you can access the side trim.
3. Remove the control panel from its subchassis, (see page 4-2 for the procedure), and set it on the subchassis.
4. Remove the two screws from the left and right side trim. Do not remove the trim at this time.



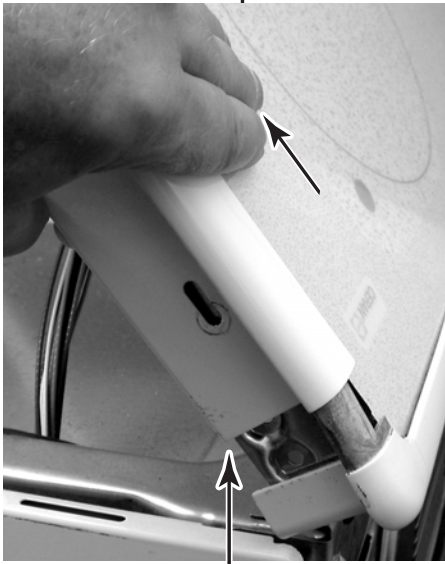
5. Raise the cooktop and prop it up (see steps 3 and 4 on page 4-5 for the procedure).

6. Loosen the left and right tension bracket screws and remove the brackets from behind the side trim.
7. Remove the wire clip from the left side trim.



Continued on the next page.

8. Pull the left and right side trim off the cooktop. To remove the trim, lift it away from the cooktop glass, and pull the back off the rear trim.

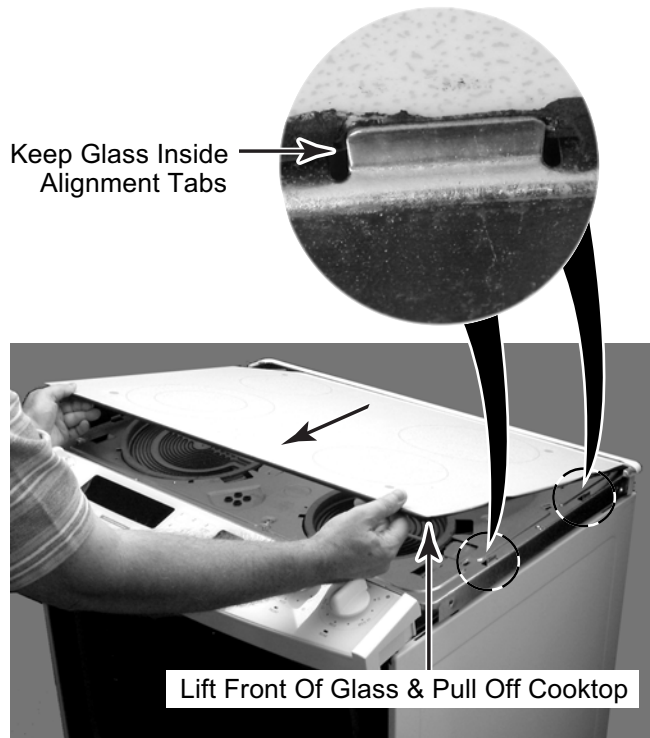


Pull Side Trim Off Rear Trim

9. Lower the cooktop.

10. Lift the front of the cooktop glass, pull it forward from under the rear trim, and remove the glass from the cooktop.

IMPORTANT: When you reinstall the cooktop glass, keep the side edges of the glass inside the four alignment tabs (two on each side). If the glass is over the tabs, it could break when you lower it.

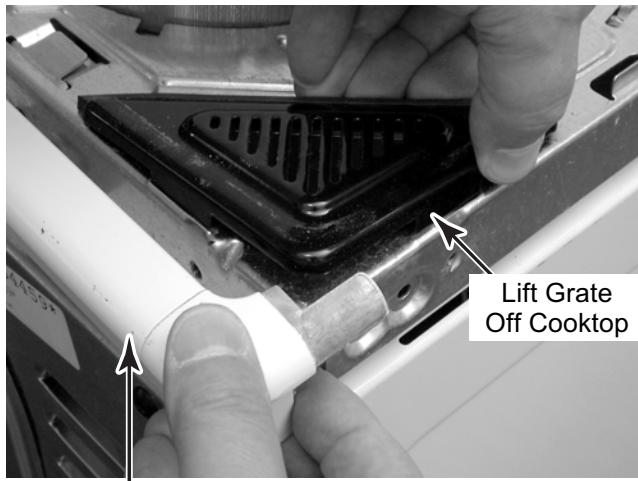


11. To remove the vent grate from the left rear corner of the cooktop:

a) Remove the two indicated rear trim screws and pull the trim away just to clear the edge of the grate.

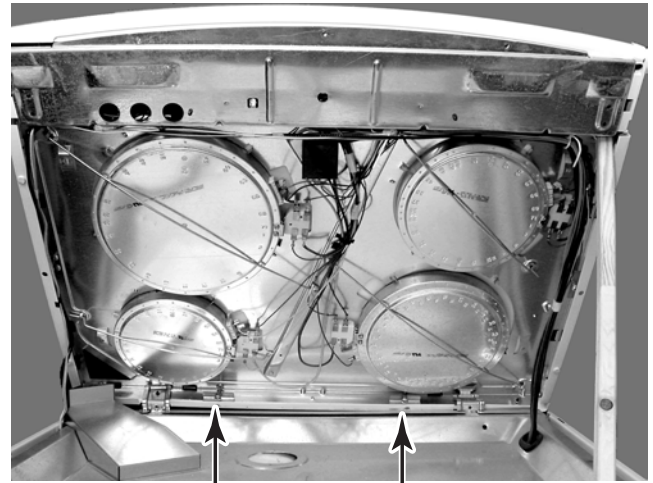


b) Lift the tabs out of their slots in the chassis and remove the grate.



Rear Trim

NOTE: The two rear trim tension brackets may fall out of their mounting locations in the rear trim strip when you move it. If so, be sure to reinstall them before lowering the cooktop.



Rear Trim Tension Brackets

REMOVING THE DOOR LATCH ASSEMBLY & THE DOOR SWITCH

⚠ WARNING



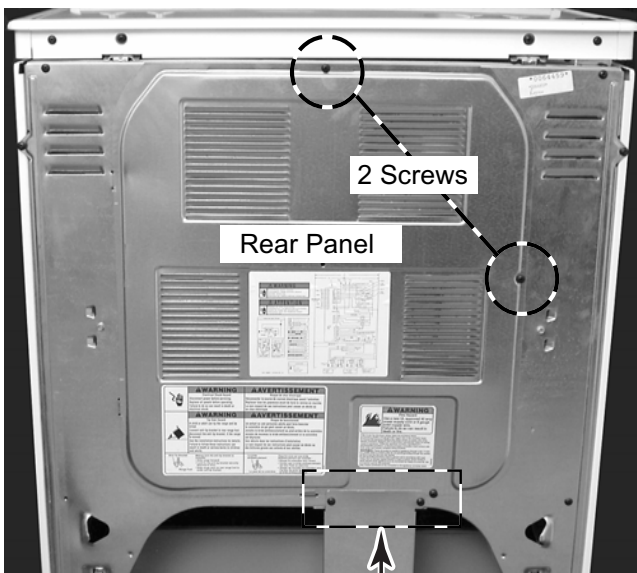
Electrical Shock Hazard

Disconnect power before servicing.

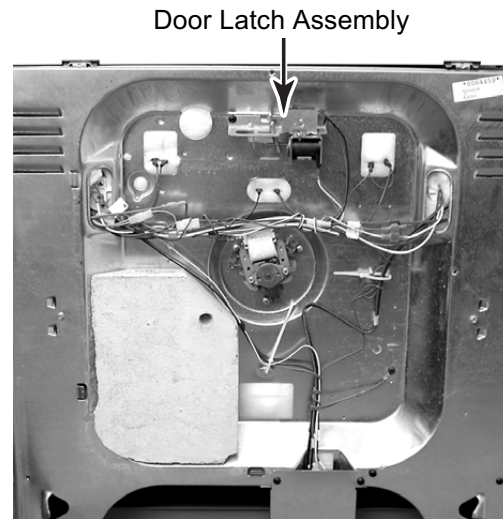
Replace all parts and panels before operating.

Failure to do so can result in death or electrical shock.

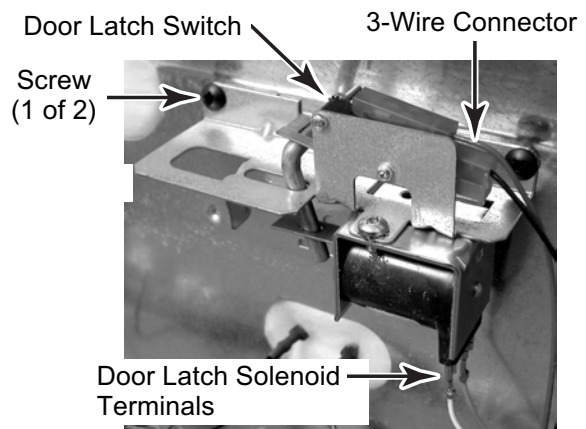
1. Unplug range or disconnect power.
2. Pull the range away from the wall so that you can access the rear of the unit.
3. **To remove the door latch assembly:**
 - a) Remove the top and side screws from the rear panel and loosen the three bottom screws, then pull the tabs out of their slots, and remove the panel.



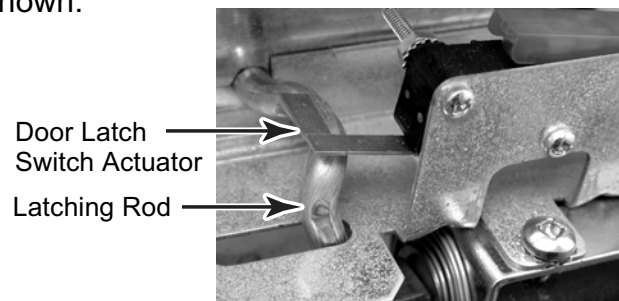
Loosen 3 Screws



- b) Disconnect the 3-wire connector from the door latch switch terminals.
- c) Disconnect the wires from the door latch solenoid terminals.
- d) Remove the two screws from the door latch assembly and remove it from the unit.

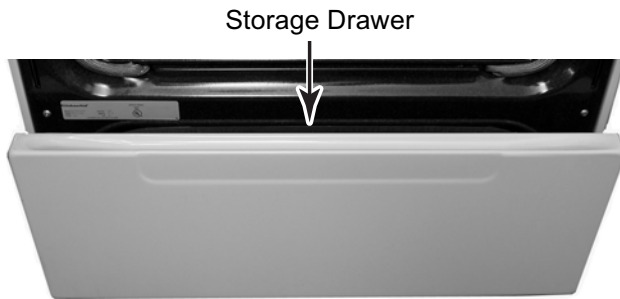


REASSEMBLY NOTE: When you reinstall the door latch assembly, make sure that the door latch switch actuator is over the latching rod, as shown.

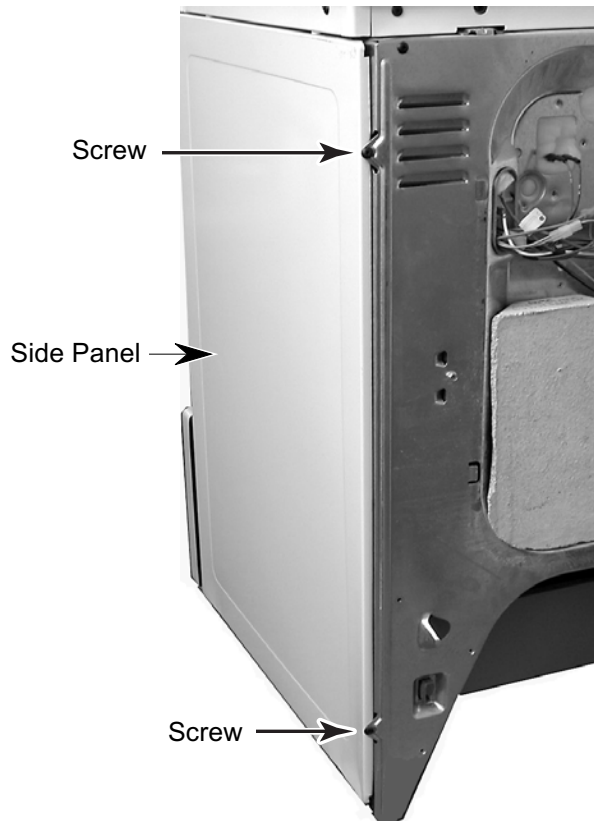


4. **To remove the door switch:**

- a) Remove the oven door and set it aside (see page 4-22 for the procedure).
- b) Open the storage drawer several inches.



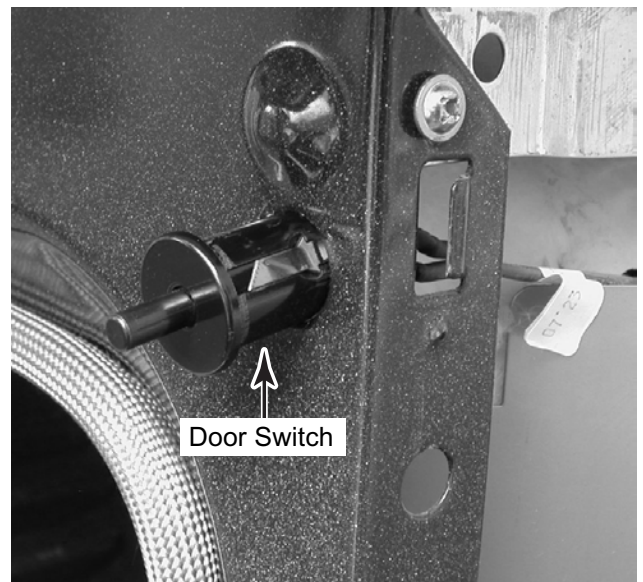
- c) Remove the two rear screws from the right side panel.



- d) Slide the side panel forward and unhook the top edge from the front screw, then tilt the top of the side panel out so you can access the door switch.



- e) Push the door switch out of the unit and disconnect the wires from the terminals.



REMOVING THE DUAL BROIL ELEMENT AND THE HIDDEN BAKE ELEMENT

⚠️ WARNING



Electrical Shock Hazard

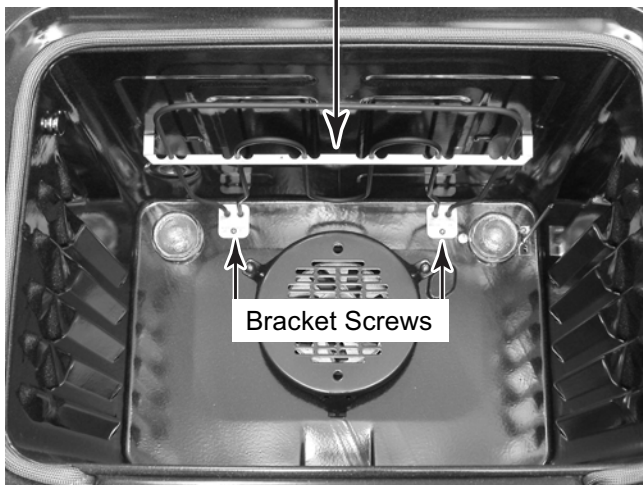
Disconnect power before servicing.

Replace all parts and panels before operating.

Failure to do so can result in death or electrical shock.

1. Unplug range or disconnect power.
2. Open the oven door and remove the racks from inside the oven.
3. **To remove the dual broil element:**
 - a) Remove the two screws from the dual broil element brackets.

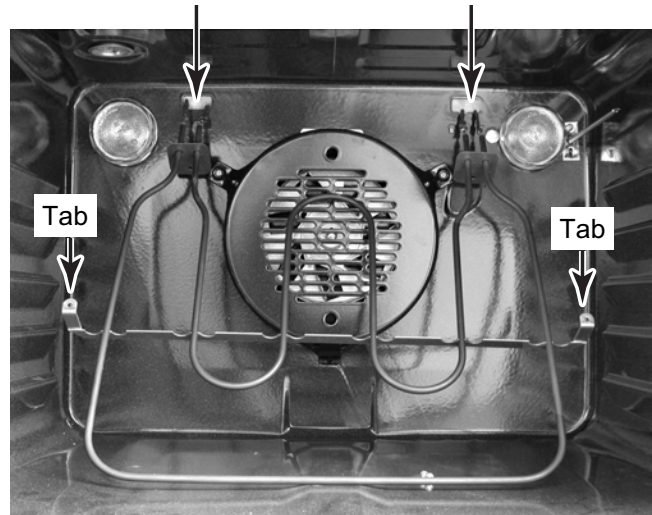
Dual Broil Element



- b) Pull the element forward and unhook the front bracket tabs from the liner slots, then pull the element wires through the liner holes, and disconnect them from the terminals.

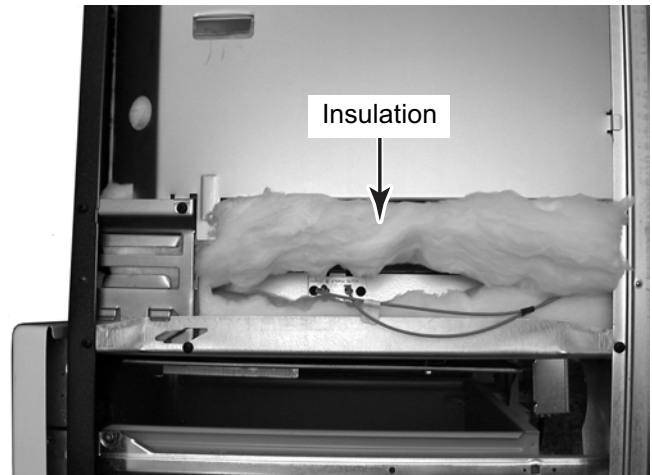
2 Red Wires

Blue & Violet Wires

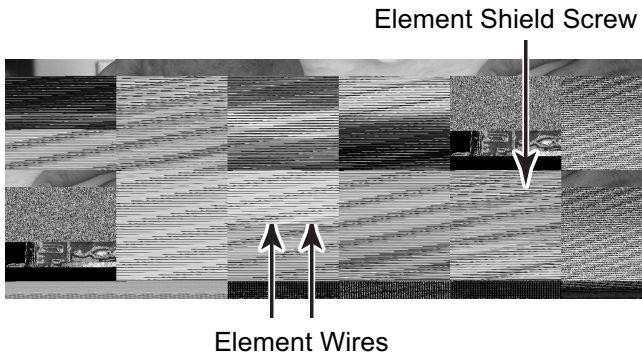


4. **To remove the hidden bake element:**
 - a) Remove the right side panel (see page 4-19 for the procedure).
 - b) Spread the insulation away from the front of the hidden bake element.

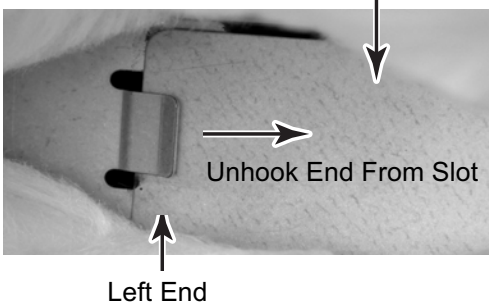
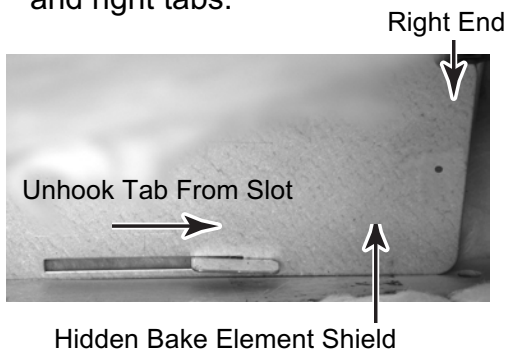
Insulation



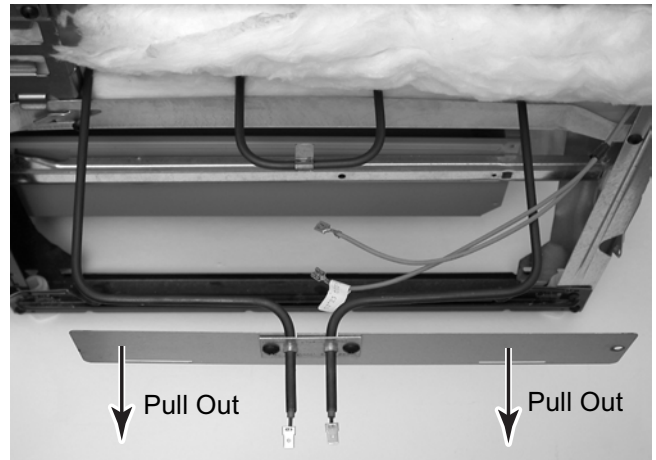
- c) Disconnect the two wire connectors from the hidden bake element terminals.
- d) Remove the element shield screw from the right end of the shield.



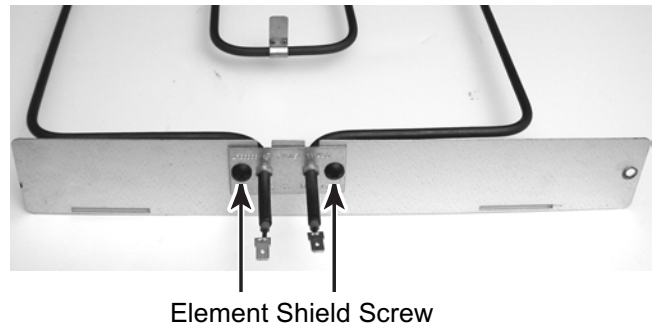
- e) Pull the hidden bake element and its shield to the right and unhook the left and right tabs.



- f) Remove the hidden bake element from the unit, and place it on a work surface.



- g) Remove the two bracket screws, and remove the shield from the element.



REMOVING THE CONVECTION BAKE ELEMENT & FAN MOTOR

⚠ WARNING



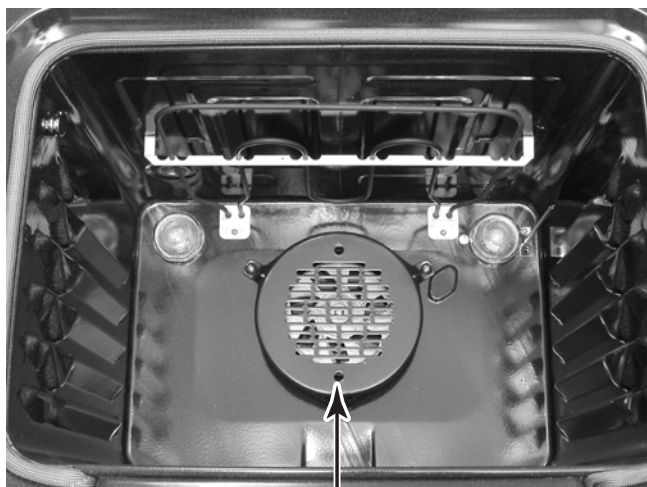
Electrical Shock Hazard

Disconnect power before servicing.

Replace all parts and panels before operating.

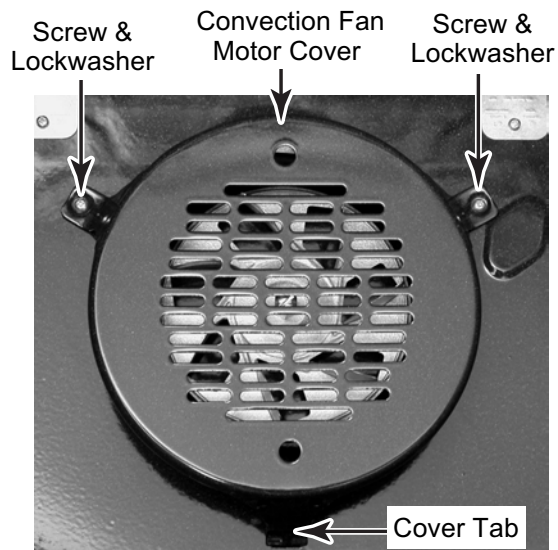
Failure to do so can result in death or electrical shock.

1. Unplug range or disconnect power.
2. Open the oven door and remove the racks from inside the oven.



Convection Bake Element & Fan Motor

3. Remove the two screws from the convection fan motor cover, then unhook the bottom tab from the liner slot, and remove the cover.



4. **To remove the convection bake element:**

- a) Remove the three screws from the element bracket and bottom clip.

Convection Bake Element Bracket Screws



Bottom Clip Screw

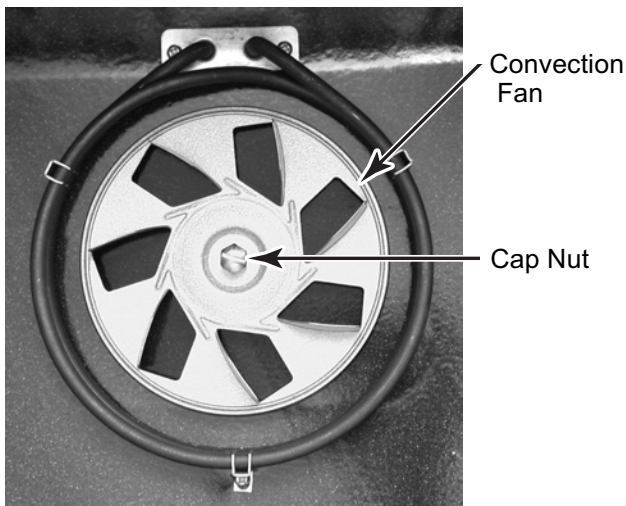
- b) Pull the bake element forward so the wire connectors are accessible, then disconnect the wires from the terminals. NOTE: Be careful that the wires do not pull back into the oven liner hole.

Convection Bake Element Wires



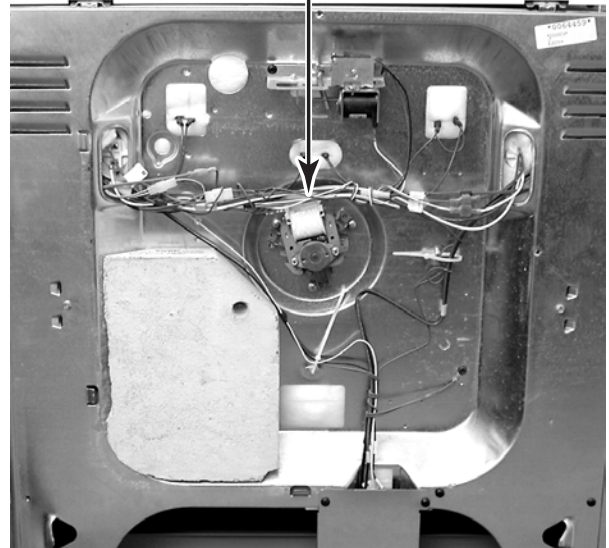
5. To remove the convection fan motor:

- a) Use a large screwdriver or a 13 mm socket, and remove the cap nut (clockwise) from the convection fan, then pull the fan off the convection fan motor shaft.



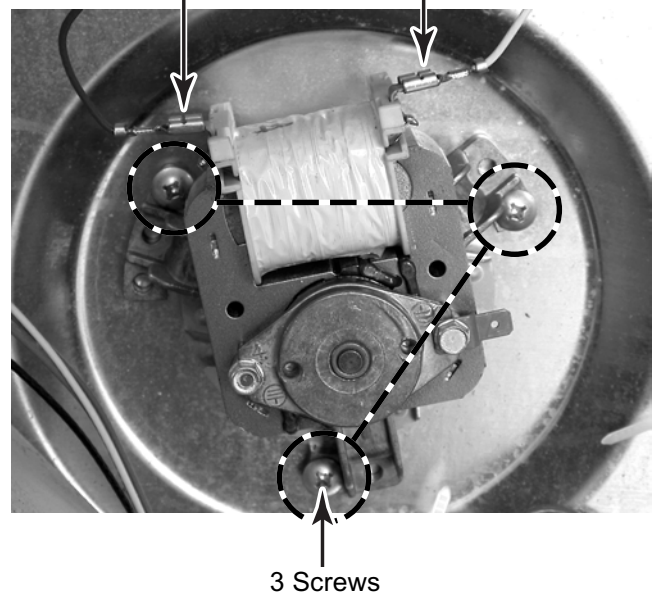
- b) Pull the range away from the wall so that you can access the rear of the unit.
- c) Remove the rear panel (see step 3a on page 4-10 for the procedure).

Convection Fan Motor



- d) Remove the three screws from the convection fan motor.
- e) Disconnect the wires from the terminals.

Convection Fan Motor Wires



REMOVING AN OVEN LIGHT SOCKET ASSEMBLY

⚠️ WARNING



Electrical Shock Hazard

Disconnect power before servicing.

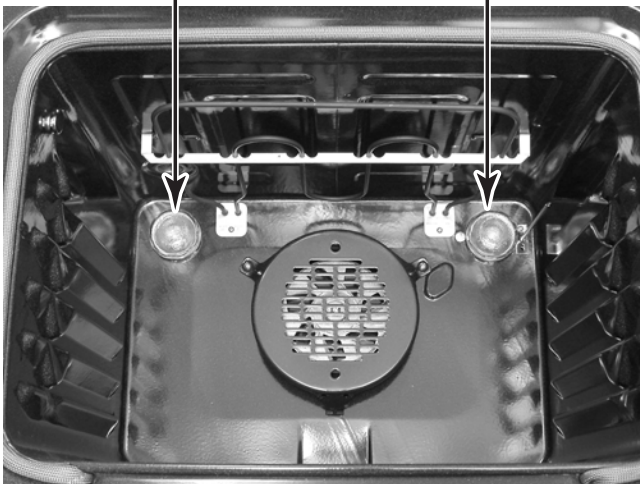
Replace all parts and panels before operating.

Failure to do so can result in death or electrical shock.

1. Unplug range or disconnect power.
2. Open the oven door and remove the racks from inside the oven.
3. Unscrew the lens and bulb from the oven light socket assembly and remove them.

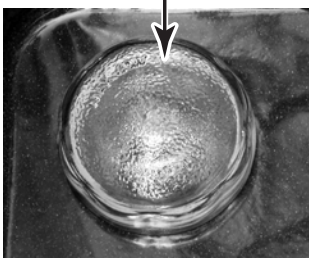
Left Oven Light

Right Oven Light



Oven Light Lens

Oven Light Bulb



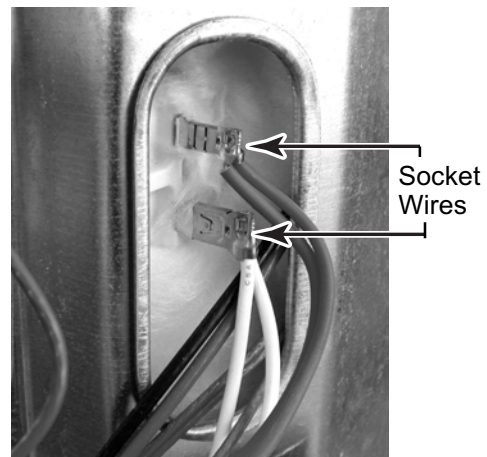
CAUTION: Be careful not to scratch or chip the oven liner paint when you remove the oven light socket in the next step.

4. Use a screwdriver and bend the clips on the oven light socket away from the edges of the liner hole, and pull the socket out of the liner. **NOTE:** If it is too difficult to remove the socket from the front of the oven, you will have to push the socket out from the back of the unit.

Socket Clip



5. Disconnect the wires from the socket terminals.



(Viewed From Rear Panel)

REMOVING THE MEAT PROBE JACK

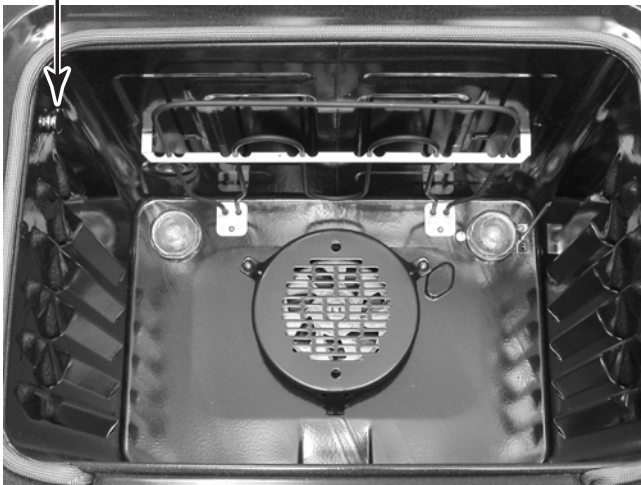
!WARNING



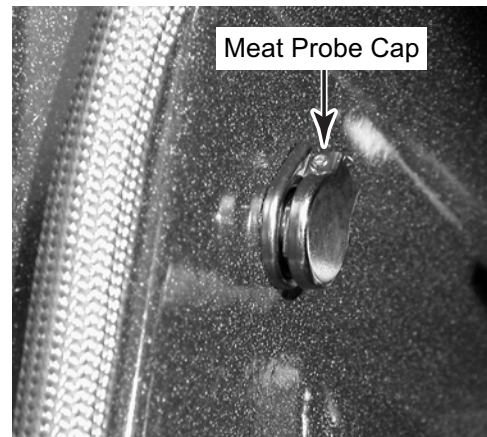
Electrical Shock Hazard
Disconnect power before servicing.
Replace all parts and panels before operating.
Failure to do so can result in death or electrical shock.

1. Unplug range or disconnect power.
2. Open the oven door and remove the racks from inside the oven.
3. Pull the range away from the wall so that you can access the left side of the unit.
4. Remove the left side panel (see page 4-19 for the procedure).

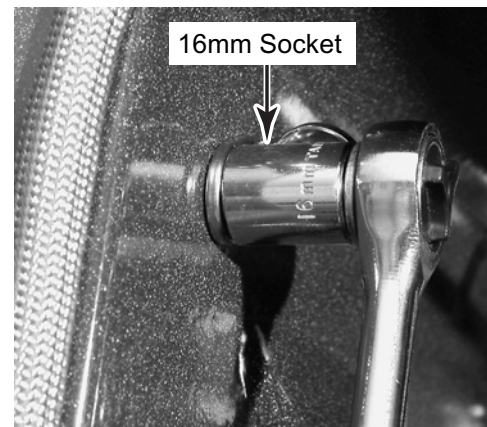
Meat Probe Jack



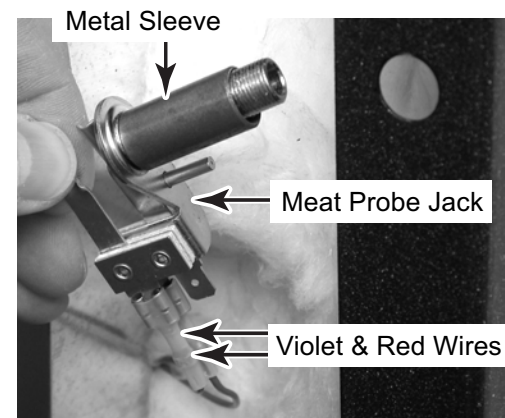
5. Lift the spring-loaded cap on the meat probe jack.



6. Use a 16mm socket and remove the meat probe jack nut and felt washer from the oven liner.



7. Remove the metal sleeve and disconnect the wires from the meat probe jack terminals, then remove the jack from the unit.



REMOVING THE OVEN TEMPERATURE SENSOR

⚠️ WARNING



Electrical Shock Hazard

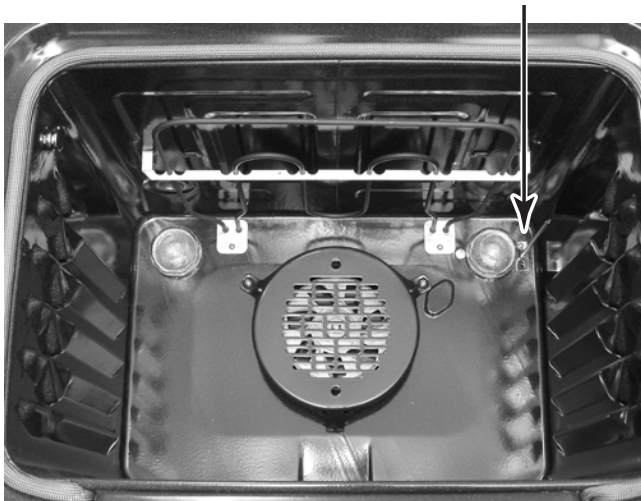
Disconnect power before servicing.

Replace all parts and panels before operating.

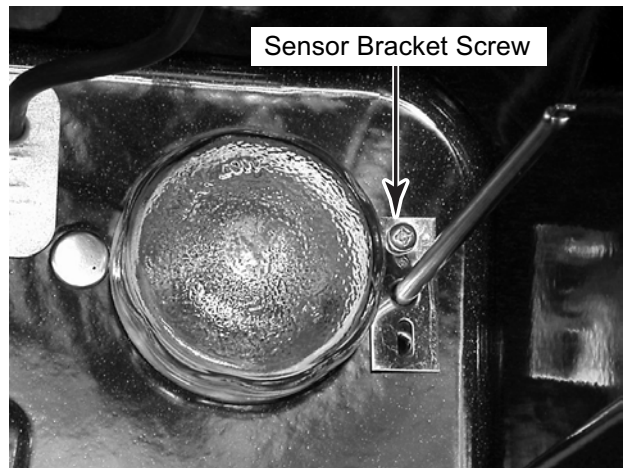
Failure to do so can result in death or electrical shock.

1. Unplug range or disconnect power.
2. Open the oven door and remove the racks from inside the oven.

Oven Temperature Sensor

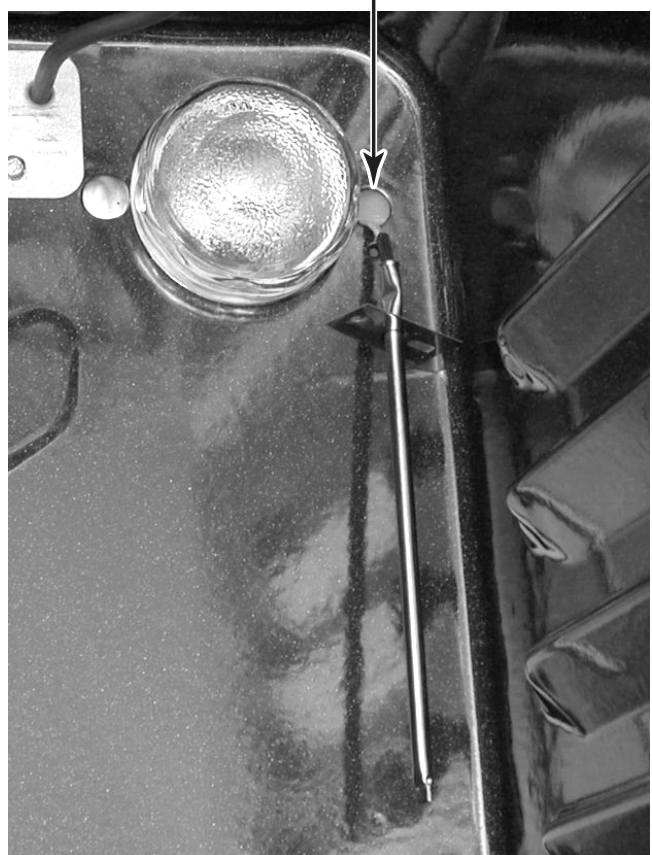


3. Remove the screw from the temperature sensor bracket.



4. Pull the oven temperature sensor wire and connector out of the oven liner.
5. Disconnect the oven temperature sensor connector and remove the sensor.

Pull Connector Through Liner Hole



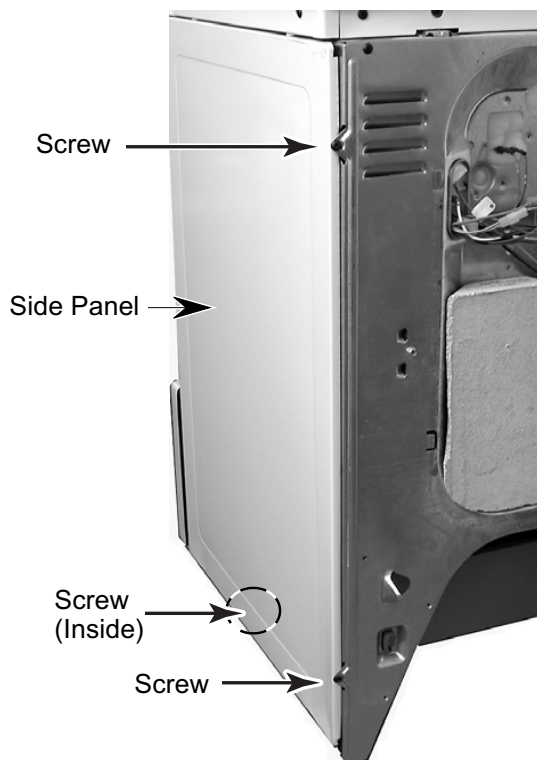
REMOVING A SIDE PANEL

!WARNING

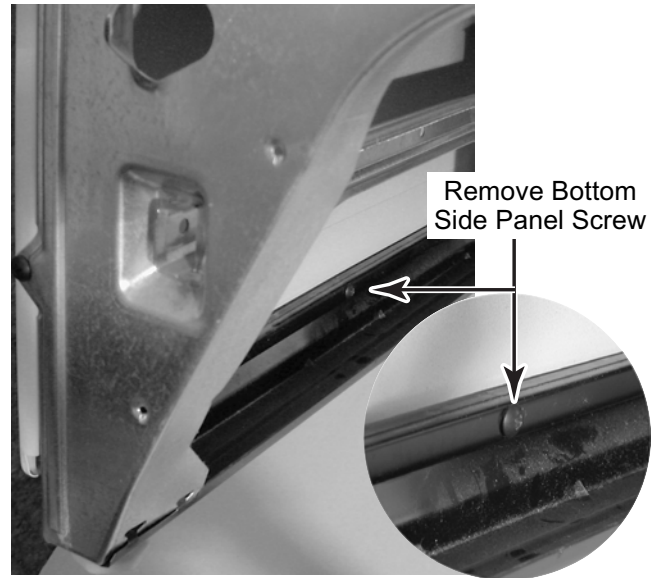


Electrical Shock Hazard
Disconnect power before servicing.
Replace all parts and panels before operating.
Failure to do so can result in death or electrical shock.

1. Unplug range or disconnect power.
2. Pull the range away from the wall so that you can access the rear of the unit.
3. Remove the oven door and set it aside (see page 4-22 for the procedure).
4. Pull the storage drawer out as far as it will go.
5. Remove the two rear screws from the side panel.



6. From the rear of the unit, reach inside and remove the screw from the bottom of the side panel.



7. Slide the side panel forward and unhook the front edge, then tilt the top of the side panel out, and lift the panel from the unit.

Slide Forward & Tilt
Top Of Panel Out



NOTE: When reinstalling the side panel, set the bottom edge on the rail, hook the front edge at the top and bottom, and install the two rear screws; then install the bottom screw from inside the rear of the unit.

REMOVING THE DOUBLE LINE BREAK (DLB) RELAY AND THE COOLING FAN MOTOR

⚠ WARNING



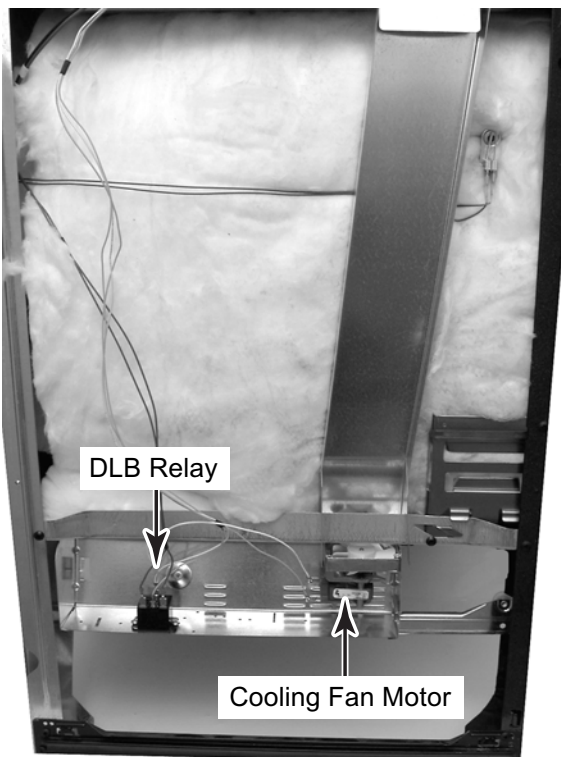
Electrical Shock Hazard

Disconnect power before servicing.

Replace all parts and panels before operating.

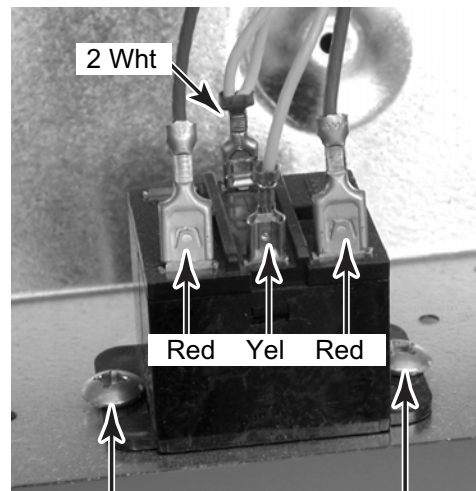
Failure to do so can result in death or electrical shock.

1. Unplug range or disconnect power.
2. Open the oven door and remove the racks from inside the oven.
3. Pull the range away from the wall so that you can access the rear of the unit.
4. Remove the left side panel (see page 4-19 for the procedure).



5. To remove the double line break (DLB) relay:

- a) Disconnect the wire connectors from the relay terminals.
- b) Remove one of the two relay mounting screws and loosen the other screw. Slide the relay out from under the loose screw and remove it from the housing.

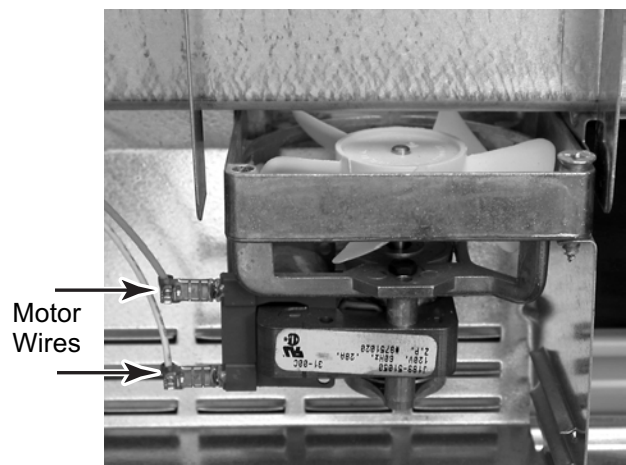


Loosen Screw

Remove Screw

6. To remove the cooling fan motor:

- a) Disconnect the wire connectors from the cooling fan motor terminals.

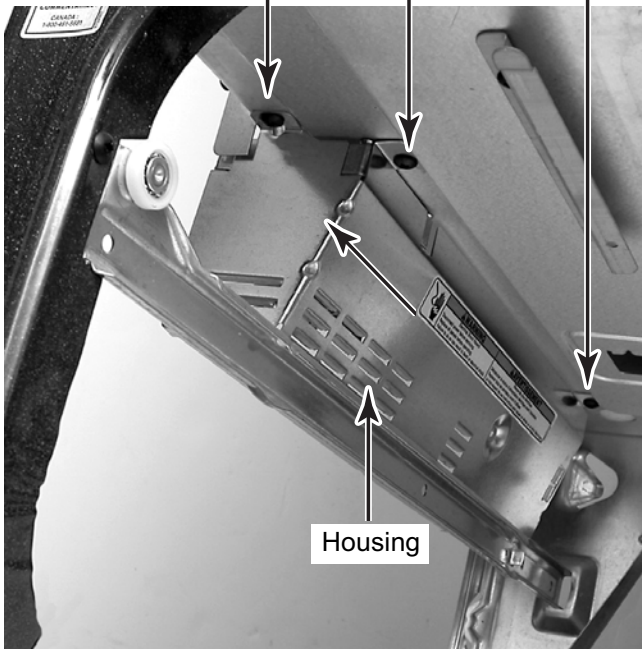


- b) Remove the storage drawer from the front of the unit.

- c) From the storage drawer area, remove the front housing screw and loosen the other two screws.
- d) Slide two of the three motor housing brackets out from under the two screws, and the other bracket out of the slot in the chassis, and remove the housing.

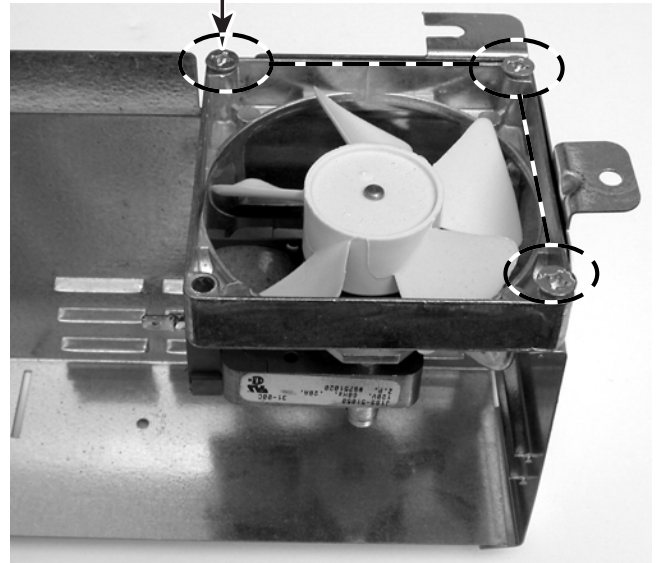
Remove This Screw

Loosen These Screws



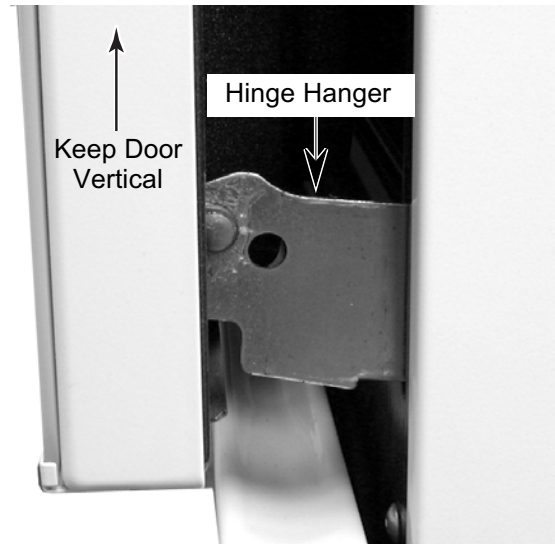
- e) Remove the three cooling fan motor mounting screws and remove the motor from the housing.

Cooling Fan Motor Screws



REMOVING THE OVEN DOOR

1. To remove the oven door, open the door to its first stop.
2. Grasp the sides of the door, lift it slightly, and pull the door forward until the hinge hangers are **partially** out of the slots in the chassis. Do not completely remove the hinge hangers from the slots, since there will be spring tension on them.
3. Reposition the angle of the door to its vertical position to remove the spring tension on the hinge hangers, then pull the hangers the rest of the way out of the chassis slots.



To reinstall the oven door:

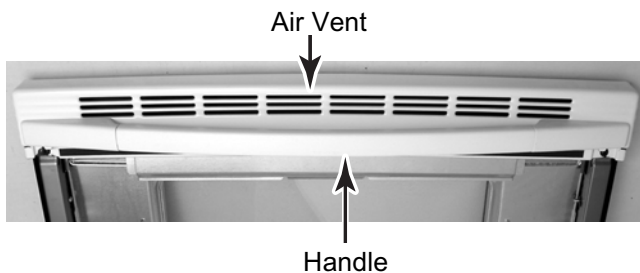
1. Grasp the sides of the door and insert the hinge hangers into the hinge slots. Lift the door slightly and push in at the bottom until the hangers are fully installed in the unit. NOTE: If the hinge hangers are not seated properly, the door will not close tightly and may be off-center. To seat the hinge hangers, keep the door vertical, then lift it slightly, and push in on the bottom until the hangers are fully seated.
2. Open and close the oven door to make sure that it operates and seals properly.

REMOVING THE DECORATIVE GLASS, THE OVEN DOOR HANDLE, THE HINGES, AND THE OVEN DOOR GLASS

1. Remove the oven door from the range (see page 4-22 for the procedure).
2. Place the oven door on a padded work surface with the decorative glass and handle facing up and the bottom edge facing the front.
3. **To remove the decorative glass:**
 - a) Remove the four decorative glass retainer screws, and remove the retainer and two side trims.
 - b) Lift the decorative glass off the door.



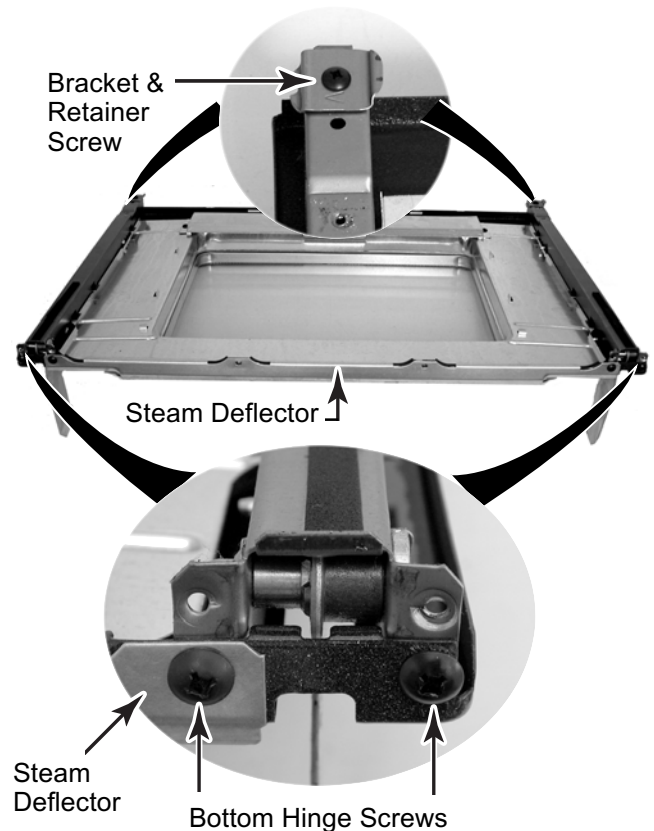
4. **To remove the door handle:**
 - a) Lift the air vent and handle off the door.



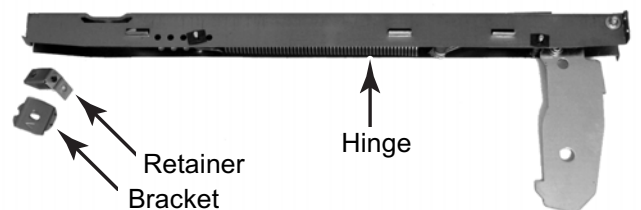
- b) Remove the four handle screws (two on each side) from the air vent and remove the handle.



5. **To remove a hinge:**
 - a) Remove the two bottom screws from the hinge you are servicing. NOTE: If you are removing both hinges, remove the steam deflector. Note how the deflector is mounted between the two hinges.
 - b) Remove the bracket and retainer screw from the top of the hinge.



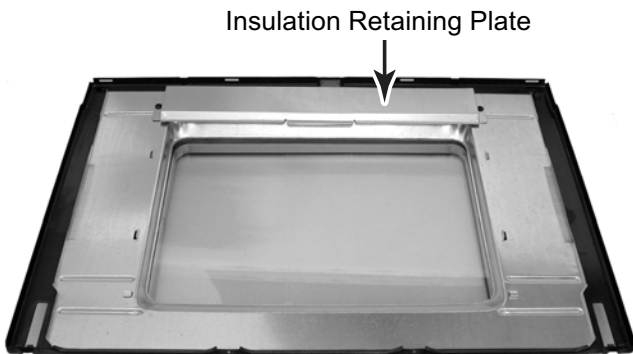
- c) Remove the bracket, retainer, and hinge from the door.



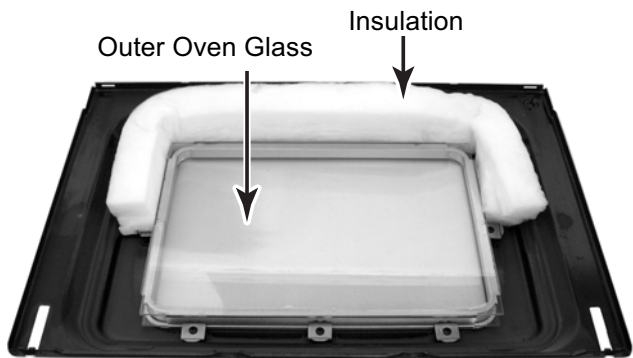
Continued on the next page.

6. To remove the inner and outer oven door glass:

a) Lift the insulation retaining plate off the door.



b) Remove the insulation and outer oven glass from the door.

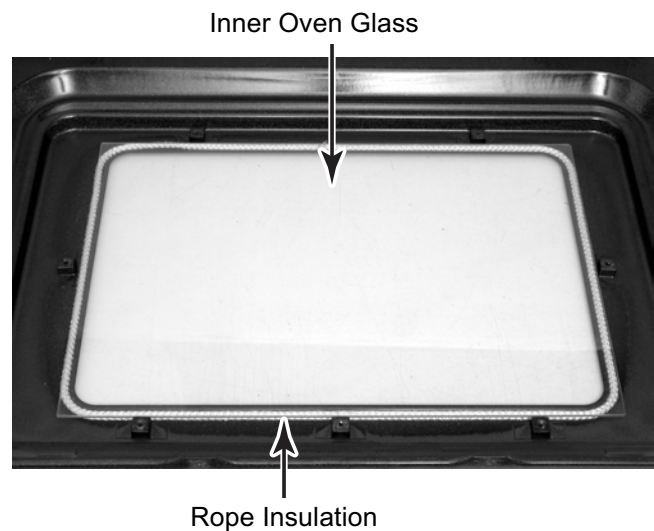


c) Remove the screws from the seven oven glass spacer retaining brackets and remove the brackets. NOTE: When you reinstall the brackets, make sure that you position the arrows on the brackets towards the glass spacer.

d) Lift the glass spacer and the inner oven glass off the door.



e) If you are replacing the rope insulation, remove it from around the oven glass opening in the door.



REMOVING THE OVEN DOOR GASKET

!WARNING



Electrical Shock Hazard

Disconnect power before servicing.

Replace all parts and panels before operating.

Failure to do so can result in death or electrical shock.

1. Unplug range or disconnect power.
2. Pull the range away from the wall so that you can access the rear of the unit.
3. Loosen the two oven liner screws so that the inside of the hex-head skirt is approximately 1/2" from the chassis.



4. Pull the oven liner forward to loosen the oven door gasket from the front of the unit.
5. Starting at one end, pull the gasket out of the liner hole, and remove it from around the liner and the second hole.



Pull Door Gasket Out Of Hole And Remove From Liner

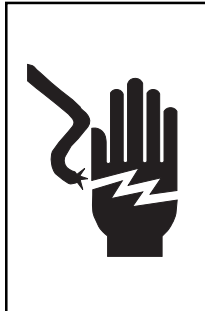
REASSEMBLY NOTE: After the door gasket is installed, make sure that it is even along the surface of the door when the door is closed.

— NOTES —

COMPONENT TESTING

Before testing any of the components, perform the following checks:

- The most common cause for control failure is corrosion on connectors. Therefore, disconnecting and reconnecting wires will be necessary throughout test procedures.
- All tests/checks should be made with a VOM or DVM having a sensitivity of 20,000 ohms-per-volt DC, or greater.
- Check all connections before replacing components, looking for broken or loose wires, failed terminals, or wires not pressed into connectors far enough.
- Resistance checks must be made with power cord unplugged from outlet, and with wiring harness or connectors disconnected.



⚠ WARNING

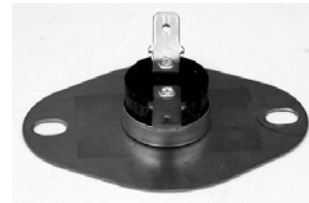
Electrical Shock Hazard

**Disconnect power before servicing.
Replace all parts and panels before operating.
Failure to do so can result in death or electrical shock.**

BIMETAL SWITCH

Refer to page 4-2 for the procedure for servicing a bimetal switch.

1. Unplug range or disconnect power.
2. Set the ohmmeter to the R x 1 scale.
3. **For the ambient bimetal switch (N.C.)**, touch the ohmmeter test leads to the terminals. The meter should indicate continuity (0Ω).
4. **For the cooling fan bimetal switch (N.O.)**, touch the ohmmeter test leads to the terminals. The meter should indicate an open circuit (infinite).



Ambient Bimetal Switch (N.C.)
Opens @ 96°C (205°F)
Resets @ 74°C (165°F)

Cooling Fan Bimetal Switch (N.O.)
Resets @ 70°C (158°F)
Closes @ 60°C (140°F)



⚠️ WARNING

Electrical Shock Hazard

Disconnect power before servicing.

Replace all parts and panels before operating.

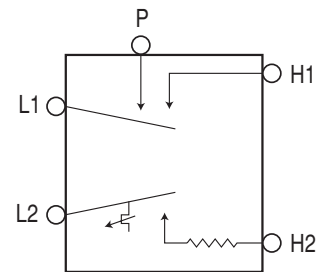
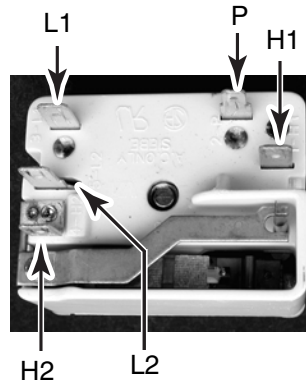
Failure to do so can result in death or electrical shock.

SINGLE ELEMENT INFINITE SWITCHES

Refer to page 4-2 for the procedure for servicing a single element infinite switch.

NOTE: Refer to the Wiring Diagram that is supplied with the unit to determine the wiring for the infinite switch you are servicing.

1. Unplug range or disconnect power.
2. Set the ohmmeter to the R x 1 scale.
3. Turn the appropriate infinite switch to the On position.
4. Touch the ohmmeter test leads to terminals L1 and P. The meter should indicate continuity (0 Ω).
5. Touch the ohmmeter test leads to terminals L1 and H1. The meter should indicate continuity (0 Ω).
6. Touch the ohmmeter test leads to terminals L2 and H2. The meter should indicate continuity (0 Ω).





⚠️ WARNING

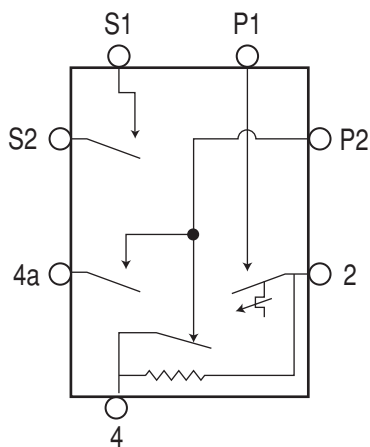
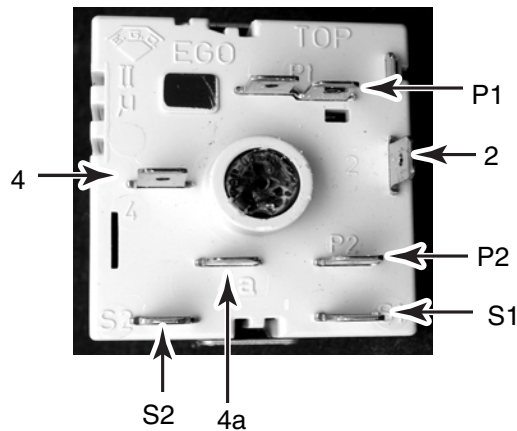
Electrical Shock Hazard

Disconnect power before servicing.

Replace all parts and panels before operating.

Failure to do so can result in death or electrical shock.

DUAL ELEMENT INFINITE SWITCH (OPTIONAL)



Refer to page 4-2 for the procedure for servicing the dual element infinite switch.

NOTE: Refer to the Wiring Diagram that is supplied with the unit to determine the wiring for the infinite switch you are servicing.

1. Unplug range or disconnect power.
2. Set the ohmmeter to the R X 1 scale.
3. Turn the dual element infinite switch to the “single” position.
4. Touch the ohmmeter test leads to the following terminals. The meter should indicate continuity (0Ω):
 - a) S1 - S2
 - b) P1 - 2
 - c) P2 - 4
5. Set the ohmmeter to the R X 1K scale.
6. Touch the ohmmeter test leads to terminals 2 and 4. The meter should indicate approximately 5200Ω .
7. Turn the dual element infinite switch to the “dual” position.
8. Set the ohmmeter to the R X 1 scale.
9. Touch the ohmmeter test leads to the following terminals. The meter should indicate continuity (0Ω):
 - a) S1 - S2
 - b) P1 - 2
 - c) P2 - 4
 - d) P2 - 4a
10. Set the ohmmeter to the R X 1K scale.
11. Touch the ohmmeter test leads to terminals 2 and 4. The meter should indicate approximately 5200Ω .

⚠ WARNING

Electrical Shock Hazard

Disconnect power before servicing.

Replace all parts and panels before operating.

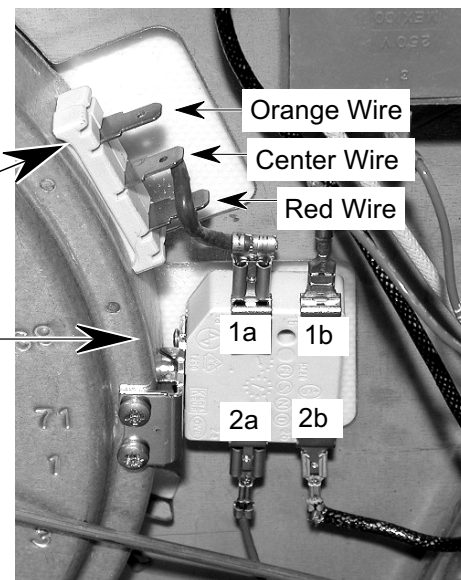
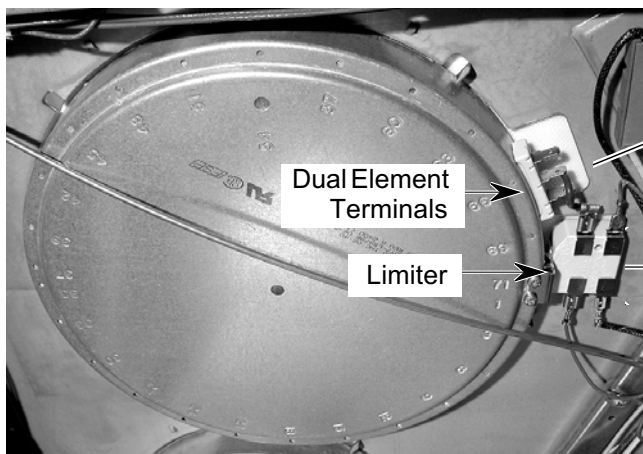
Failure to do so can result in death or electrical shock.

SURFACE ELEMENTS & LIMITERS

Refer to page 4-5 for the procedure for servicing the elements & limiters.

1. Unplug range or disconnect power.
2. Set the ohmmeter to the R X 1 scale.
3. Raise the cooktop.
4. **To test the left front (LF) dual element and limiter:**
 - a) Disconnect the red wire from the element terminal.
 - b) Disconnect the wires from limiter terminals 1a and 1b.
 - c) Touch the ohmmeter test leads to the center wire terminal, and the terminal that had the red wire connected to it. The meter should indicate between 35 and 65 Ω .

- d) Reconnect the red wire and disconnect the orange wire from the dual element terminal.
- e) Touch the ohmmeter test leads to the center terminal and the terminal that had the orange wire connected to it. The meter should indicate between 25 and 55 Ω .
- f) Touch the ohmmeter test leads to limiter terminals 1a & 2a. The meter should indicate continuity (0 Ω).
- g) Touch the ohmmeter test leads to limiter terminals 1b & 2b.
With the temperature below 150°F, the meter should indicate an open circuit (infinite).
With the temperature above 150°F, the meter should indicate continuity (0 Ω).



5. **To test the RF, LR, & RR single elements & limiters:**

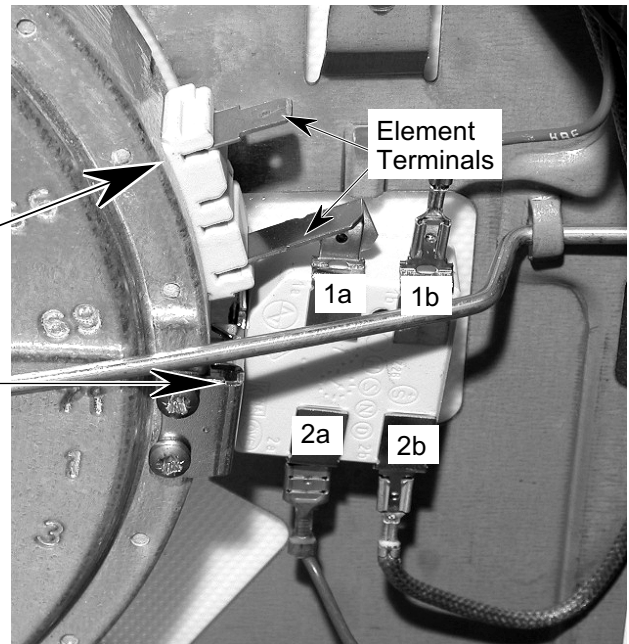
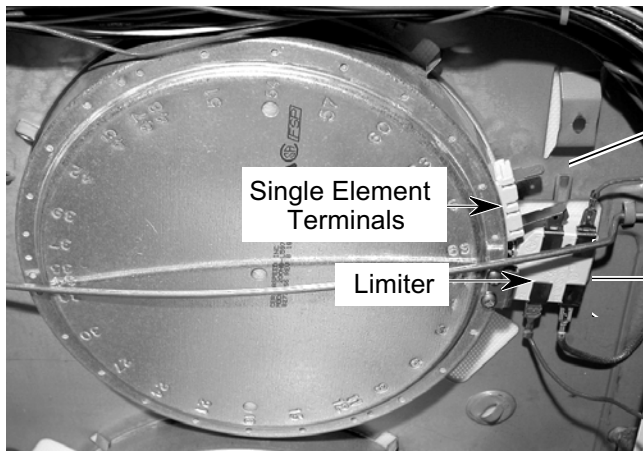
- a) Disconnect the yellow, brown, or blue wire from the element terminal.
- b) Disconnect the wires from limiter terminals 1a and 1b.
- c) Touch the ohmmeter test leads to the two element terminals. The meter should indicate between 20 and 40 Ω .

d) Touch the ohmmeter test leads to limiter terminals 1a & 2a. The meter should indicate continuity (0 Ω).

e) Touch the ohmmeter test leads to limiter terminals 1b & 2b.

With the temperature below 150°F, the meter should indicate an open circuit (infinite).

With the temperature above 150°F, the meter should indicate continuity (0 Ω).





⚠ WARNING

Electrical Shock Hazard

Disconnect power before servicing.

Replace all parts and panels before operating.

Failure to do so can result in death or electrical shock.

DOOR SWITCH (N.O.)



Refer to page 4-10 for the procedure for servicing the door switch.

1. Unplug range or disconnect power.
2. Set the ohmmeter to the R x 1 scale.
3. Touch the ohmmeter test leads to the door switch terminals. The meter should indicate an open circuit (infinite).
4. Press the actuator button and the meter should indicate continuity (0Ω).

DOOR LATCH ASSEMBLY (N.O.)



Door Latch Solenoid



Door Latch Switch

Refer to page 4-10 for the procedure for servicing the door latch assembly.

1. Unplug range or disconnect power.
2. Disconnect one of the wires from the door latch assembly component under test.
3. Set the ohmmeter to the R x 1K scale.
4. **To test the solenoid**, touch the ohmmeter test leads to the terminals. The meter should indicate between 3000 and 3800 Ω .
5. **To test the door latch switch:**
 - a) Touch the ohmmeter test leads to the COM and N.O. terminals. The meter should indicate an open circuit (infinite).
 - b) With the ohmmeter leads connected as stated in the previous step, press the switch actuator. The meter should indicate continuity (0Ω).



⚠ WARNING

Electrical Shock Hazard

Disconnect power before servicing.

Replace all parts and panels before operating.

Failure to do so can result in death or electrical shock.

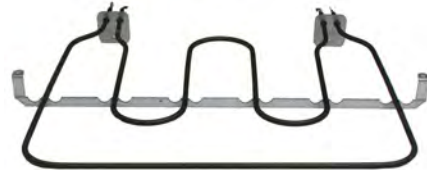
HIDDEN BAKE ELEMENT



Refer to page 4-12 for the procedure for servicing the hidden bake element.

1. Unplug range or disconnect power.
2. Set the ohmmeter to the R x 1 scale.
3. Touch the ohmmeter test leads to the bake element terminals. The meter should indicate between 40 and 60 Ω .

DUAL BROIL ELEMENT



Refer to page 4-12 for the procedure for servicing the dual broil element.

1. Unplug range or disconnect power.
2. Set the ohmmeter to the R x 1 scale.
3. Touch the ohmmeter test leads to the broil element terminals. The meter should indicate between 30 and 50 Ω .

⚠ WARNING



Electrical Shock Hazard

Disconnect power before servicing.

Replace all parts and panels before operating.

Failure to do so can result in death or electrical shock.

CONVECTION BAKE ELEMENT



Refer to page 4-14 for the procedure for servicing the convection bake element.

1. Unplug range or disconnect power.
2. Set the ohmmeter to the R x 1 scale.
3. Touch the ohmmeter test leads to the convection bake element terminals. The meter should indicate between 14 and 26 Ω .

CONVECTION FAN MOTOR



Refer to page 4-14 for the procedure for servicing the convection fan motor.

1. Unplug range or disconnect power.
2. Set the ohmmeter to the R x 1 scale.
3. Touch the ohmmeter test leads to the convection fan motor terminals. The meter should indicate between 9 and 13 Ω .



⚠ WARNING

Electrical Shock Hazard

Disconnect power before servicing.

Replace all parts and panels before operating.

Failure to do so can result in death or electrical shock.

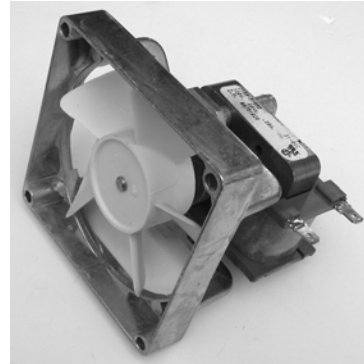
OVEN TEMPERATURE SENSOR



Refer to page 4-18 for the procedure for servicing the oven temperature sensor.

1. Unplug range or disconnect power.
2. Set the ohmmeter to the R x 100 scale.
3. Touch the ohmmeter test leads to the oven temperature sensor connector pins. The meter should indicate between 1000 and 1100 Ω at 75°F.

COOLING FAN MOTOR



Refer to page 4-20 for the procedure for servicing the cooling fan motor.

1. Unplug range or disconnect power.
2. Set the ohmmeter to the R x 1 scale.
3. Touch the ohmmeter test leads to the cooling fan motor terminals. The meter should indicate between 55 and 75 Ω .



⚠️ WARNING

Electrical Shock Hazard

Disconnect power before servicing.

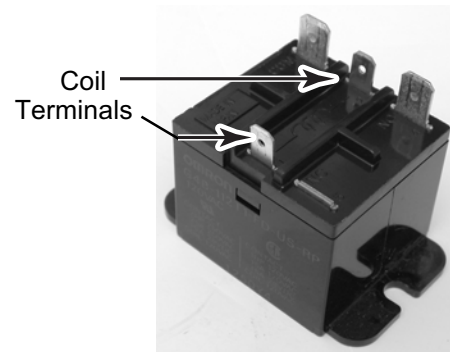
Replace all parts and panels before operating.

Failure to do so can result in death or electrical shock.

DOUBLE LINE BREAK (DLB) RELAY

Refer to page 4-20 for the procedure for servicing the double line break relay.

1. Unplug range or disconnect power.
2. Set the ohmmeter to the R x 100 scale.
3. Touch the ohmmeter test leads to the coil terminals. The meter should indicate approximately 4100 Ω .



DIAGNOSIS & TROUBLESHOOTING

DIAGNOSIS

FAILURE/ERROR DISPLAY CODES TECH SHEET #9753028, REV. B

- All diagnoses of this range must begin with a normal check of the line voltage, blown fuses, and failed components.
- All units that have failed during the first few days of use should be checked for loose connections, or miswiring.
- All checks should be made with a meter having a sensitivity of 20,000 ohms-per-volt, or greater.

| FAULT | ERROR | FAULT PRIORITY | FAULT CONSTANT NAME IN SOFTWARE | FAULT DESCRIPTION | FIELD SERVICE ACTION |
|-------|-------|----------------|---------------------------------|--|---|
| F1 | E0 | N/A | Fault EEPROM | EEPROM read fault (silent fault, not displayed) | Replace control |
| | E1 | N/A | EEPROM checksum error | EEPROM checksum does not match at start key (silent fault, not displayed) | Replace control |
| | E3 | 7 | Config jumpers no match | Configuration jumper change, ranges with front control and fluorescent light: electric switches or P9 pins 6 and/or 7 changed since power up | See below left |
| | E4 | 2 | Q8 shorted | Q8 shorted | Replace control |
| | E9 | 0 | Stack overflow | Stack overflow, highest priority | Replace control |
| F2 | E0 | 4 | Keypad switch assy misconnected | Keypad switch assy misconnected to control | Verify insertion of ribbon into timer connector. Replace keypad sw assy |
| | E2 | 3 | Cancel key channel | Cancel key loop test failed | Replace keypad sw. assy |
| | E3 | 5 | Key down too long | Key held down too long or keyboard short | Press Cancel. Wait 2 sec. between each key entry. If reappears replace keypad switch assy |
| | E4 | 6 | Keys unsettled | Keys unsettled probably due to noise | Press Cancel. Remove electrical noise source. If reappears replace keypad switch assy |
| | E5 | N/A | Cancel key failed | Cancel key failed | Replace keypad switch assy |
| F3 | E0 | 9 | Open oven sensor | Oven sensor open | Replace oven sensor |
| | E1 | 8 | Shorted oven sensor | Shorted oven sensor | Replace oven sensor |
| | E2 | 10 | Oven temp too high | Oven temp too high (runaway) | Replace oven sensor, or control |
| F4 | E1 | 15 | Shorted meat probe | Meat probe shorted (less than 1500 ohms) | Replace meat probe |
| F5 | E0 | N/A | Door open and locked | Door locked somehow with door open | Check door switch, latch switch |
| | E1 | 13 | Self clean latch won't make | Self clean latch lock make after 30 seconds | Check latch system |
| | E3 | 1 | Loss of GND, L1 N reverse | Loss of 120 VAC across L1 to ground or Q19 circuit error | Check ground continuity on all ground harnesses. Replace control |
| | E5 | 14 | Self clean temp not satisfied | Self clean temperature not satisfied after 30 minutes | Check insertion of hinges in receivers. Check operation of elements. |
| | E6 | 16 | Door open and locked | Door locked somehow with door open | Check door switch, latch switch |
| | E7 | 17 | Door will not unlatch | Door unlocked somehow and will not unlatch | Check door switch, latch switch |
| F6 | E0 | 12 | Ambient over temp | Ambient (console bi-metal) sensor opened (too hot) | Check control bi-metal |
| F7 | E0 | 11 | Input switch error | Input switches won't follow their strobe level (shorted to ground) | Check door switch, latch switch, etc. |
| PF | | | | Power Failure (Not a Failure Mode) | Do not replace control |

FAULT ERROR CODE CHARTS

| FAULT CODE | FIELD SERVICE MEANING |
|------------|-----------------------|
| F1 | Control |
| F2 | Keypad Assembly |
| F3 | Temp Sensor |
| F4 | Meat Probe |
| F5 | Input Switch |
| F6 | Sensor or Control |
| F7 | Keypad or Control |

| FAULT ERROR: F1E3 | | |
|--|--|--|
| NOTE: Make sure harness to P1 connector is correct per wiring diagram before performing the following steps! | | |
| STEP 1 | Power down and wait 5 seconds | |
| STEP 2 | Power up and wait 5 seconds | |
| STEP 3 | Press the following keys: | |
| | CONVECTION | NON-CONVECTION |
| | CONV. BROIL CLEAN BAKED GOODS STOP TIME 1 9 0 TIMER SET | CLEAN STOP TIME 0 OVEN LIGHT 1 |
| STEP 4 | Press START | |
| STEP 5 | Make sure Timer ID is the same as the oven | |
| STEP 6 | Press CANCEL to exit | |

TROUBLESHOOTING CHARTS

| PROBLEM | POSSIBLE CAUSE | SOLUTION |
|---|--|---|
| Clock display does not display 4 number eights after power-on test. | Loose or bad wiring. Burned out or missing segment in clock display. Broken or missing terminal on microcomputer. | Repair or replace wiring (see wiring diagrams). Make sure clock display is properly seated. Replace microcomputer board. |
| Oven cooks but display does not count down in cooking cycle. | Loose or bad wiring to harness. Failed microcomputer board. | Repair or replace wiring (see wiring diagrams). Replace microcomputer board. |
| Oven element emits black smoke when first turned on. | This is normal on a new range. The factory-applied protective coating is burning off. Substance (e.g. food or other material) has spilled onto the element. | Protective coating will burn off in several minutes. Fumes are non-toxic. Let element cool then clean according to Use & Care instructions. |
| Oven element does not heat. | No line voltage. Loose or bad wiring. Defective element. | Check circuit breaker. Repair or replace wiring (see wiring diagrams). Test and/or replace element. |
| Cooktop element barely heats. | Low line voltage. Loose or bad wiring connection at element or terminal block. Defective cooktop control switch. | Line voltage should be minimum 240-volts. If necessary, electrician should repair cause for low line voltage. Repair or replace wiring (see wiring diagrams). Test and/or replace switch. |

| PROBLEM | POSSIBLE CAUSE | SOLUTION |
|--|---|--|
| Cooktop element will not heat higher than low-medium. | Low line voltage. Defective cooktop element. | Line voltage should be minimum 240-volts. Electrician should repair cause for low line voltage. Test and/or replace element. |
| Cooktop element heats up normally, but drops to lower setting automatically. | Customer using improper cookware. Defective cooktop control switch. | Evaluate suitability of cookware. Test and/or replace switch. |
| Indicator light does not light up. | Loose or bad wiring to indicator light. Defective indicator light. Defective cooktop control switch. | Repair or replace wiring (see wiring diagrams). Replace indicator light. Test and/or replace switch. |
| Hot surface indicator light does not work. | Loose or defective light. Loose or bad wiring to indicator light assembly. | Replace indicator light. Replace indicator light assembly and wiring. |
| Oven light fails to operate. | Bulb burned out. Circuit breaker or fuse is open. Defective switch. | Replace bulb. Check circuit breaker or replace fuse. Check continuity and/or replace switch. |
| Door locks but indicator lights do not light. Oven does not begin clean cycle. | Defective indicator light. Defective latch safety switch. | Replace indicator light. Replace switch. |
| Electronic timer will not accept programming. | Failed electronic board. | Replace timer. |
| Timer relay(s) do not close. | Loose or bad wiring to timer. Failed electronic board. | Repair or replace wiring (see wiring diagrams). Replace timer. |
| Oven will not bake (selection is set for to BAKE). | If indicator light lights up bake element is defective. Defective latch safety switch. Loose or bad wiring. | Check and/or replace bake element. Check continuity and/or replace switch. Repair or replace wiring (see wiring diagrams). |
| Oven will not bake (selection is set for TIMED BAKE). | Defective electronic clock. | Check continuity and/or replace clock (see wiring diagrams). |

| PROBLEM | POSSIBLE CAUSE | SOLUTION |
|--|---|---|
| Oven does not broil. | If indicator light lights up broil element is defective. Defective latch safety switch. Loose or bad wiring. | Check and/or replace broil element. Check continuity and/or replace switch. Repair or replace wiring (see wiring diagrams). |
| Oven door will not open or latch. | Defective latch mechanism. Defective (bent) door latch lever. Cool-down period after self-clean cycle not complete. | Replace mechanism. Replace lever. Wait until LOCK light goes out. |
| Overheating or “runaway” oven. | Loose or bad wiring to latch safety switch. Thermostat sensor bulb missing. | Repair or replace wiring (see wiring diagrams). Replace bulb. |
| Premature burnout of bake element. | Improper use of oven (e.g. being used to heat the home). | Use oven for baking only. |
| Oven door difficult to open. | Worn or broken broil stop rollers. | Replace rollers. |
| Door sagging on one side. | Hinge loose or out of position to oven liner. | Adjust hinges. |
| Door does not close completely at top. | Broken or misadjusted door spring. Door fits too tight at bottom. | Adjust or replace spring. Adjust hinges outward. |
| Door glass breaks. | Broiling with door closed. Oven racks covered with foil. Glass installed backward. | Open door to broil stop position. Do not cover racks with foil. Install tempered glass toward the heat. |
| Damaged oven door gasket. | Improper cleaning. | Do not use harsh abrasives or scouring pads. See Use & Care instructions. |
| Chipped oven liner. | Damaged in shipping. | Repair or replace liner. To repair smooth porcelain bronzetone, order P/N 242756. |
| Oven racks fit too tight. | Tolerance buildup in oven liner. | Notify Customer Assurance Department. |

OVEN TEMPERATURE CALIBRATION

1. Press and hold the BAKE keypad for five (5) seconds. The current offset, if any, will be shown in the 3-digit display. CAL is shown in the 4-digit display (3 digits on right).
2. Pressing the TEMP keypad ▲ up arrow adjusts the temperature in 10°F increments in the following sequence: 0°, 10°, 20°, 30°, -30°, -20°, -10°, 0°, and so on.
3. Press the START/ENTER keypad to activate the desired temperature adjustment. If the START/ENTER keypad is not pressed within 5 minutes, the adjustment is ignored.

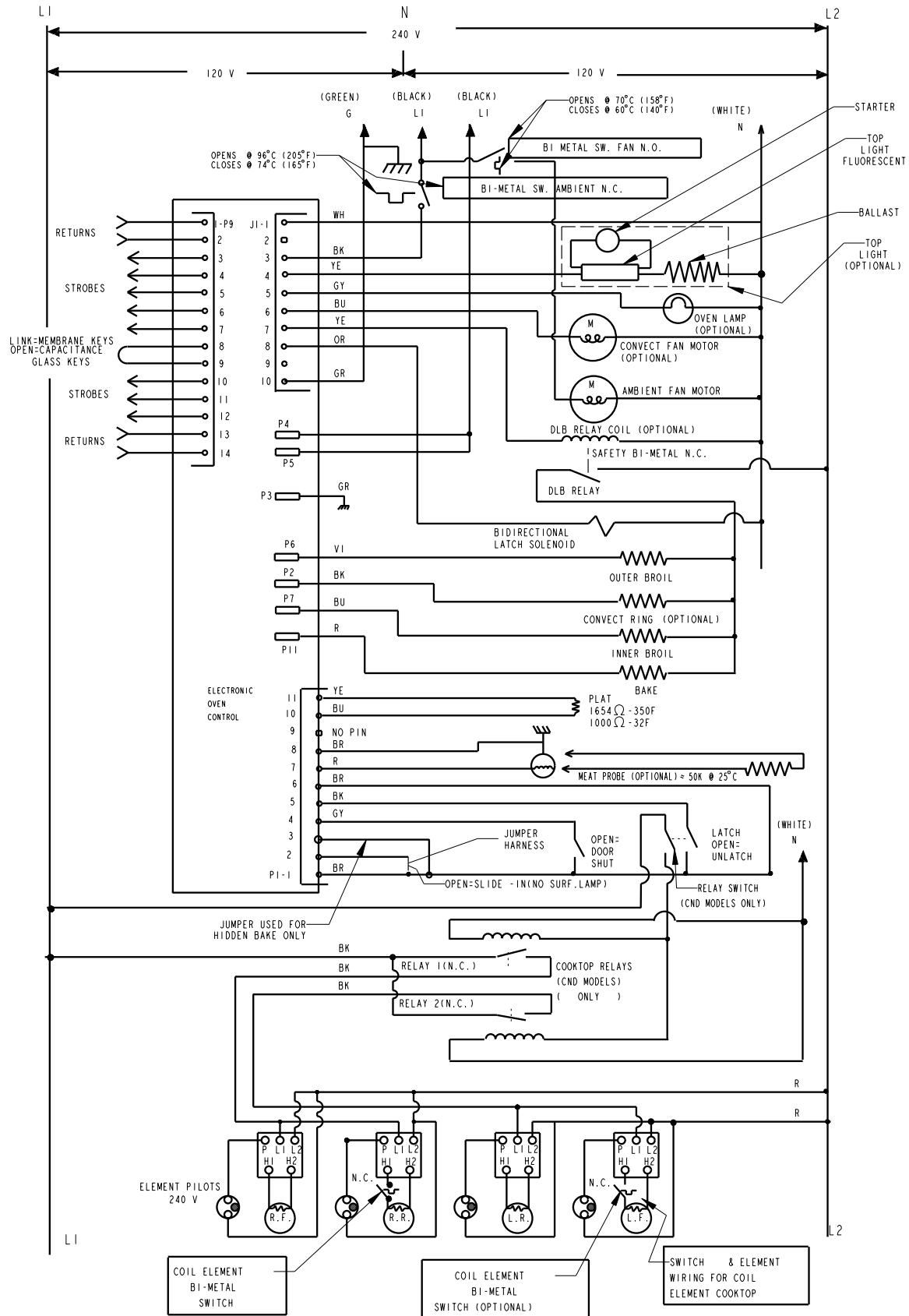
NOTE: The BAKE temperature adjustment cannot result in operating temperatures higher than 525°F, or lower than 170°F, as measured at

oven cavity center. Once the BAKE temperature has been adjusted, BROIL temperatures are automatically offset to the same degree.

The CLEAN temperature is also offset automatically when the BAKE temperature is adjusted. If the BAKE temperature has been raised, the CLEAN temperature is offset by +5°F. If the BAKE temperature has been lowered, the CLEAN temperature is offset to -5°F.

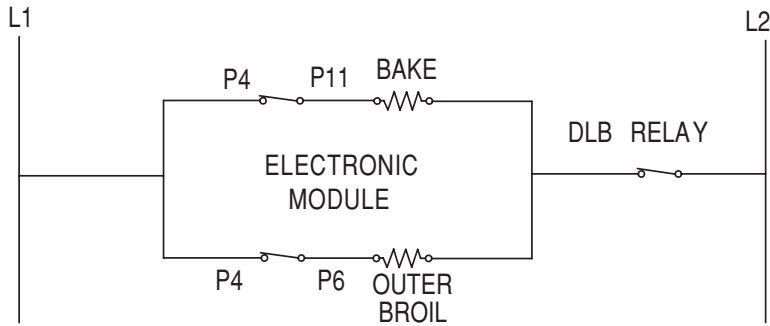
WIRING DIAGRAM & STRIP CIRCUITS

WIRING DIAGRAM — #9753028, REV. B

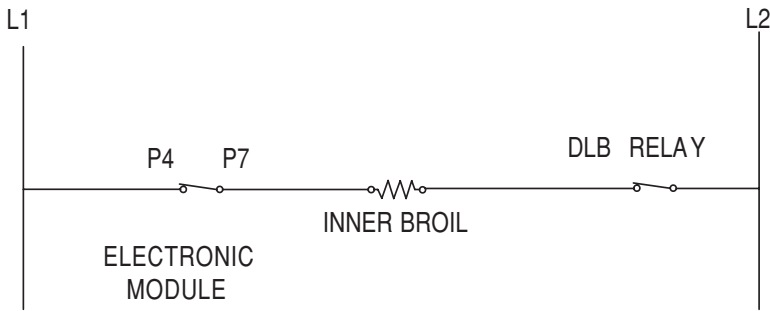


STRIP CIRCUITS

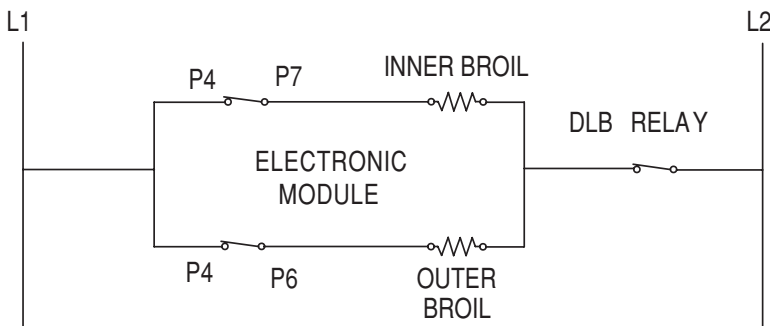
BAKE (INCLUDING PRE-HEAT)



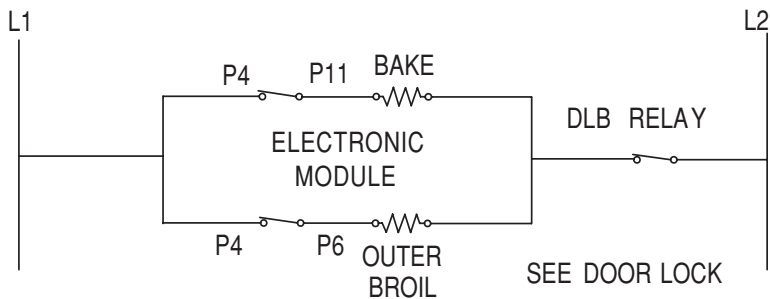
BROIL (ECONO)



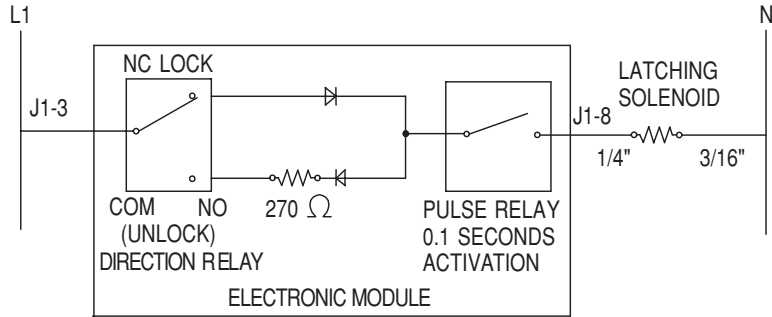
BROIL (MAXI)



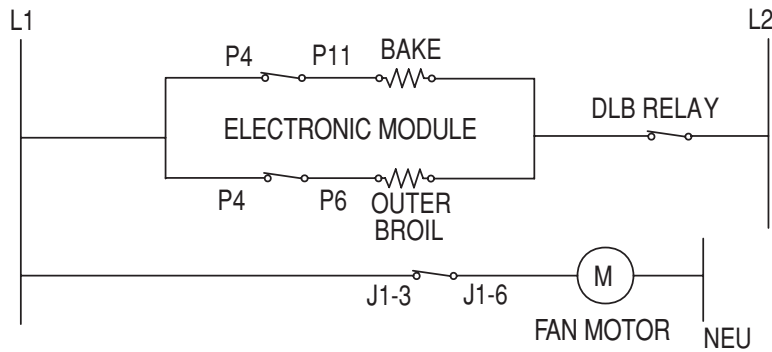
CLEAN



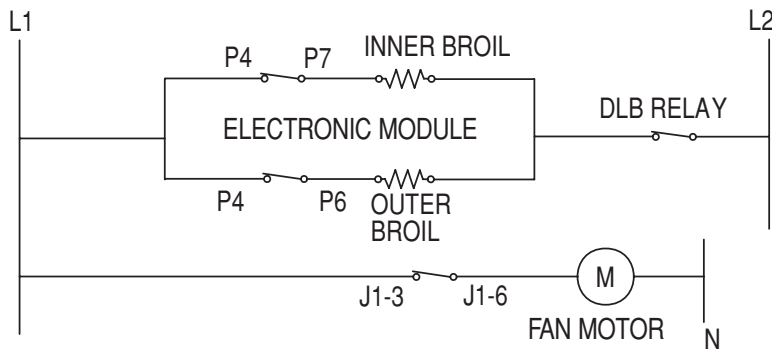
DRIVING CIRCUIT



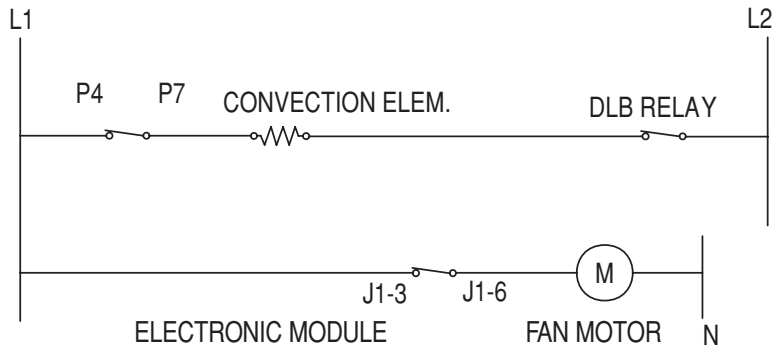
CONVECTION ROAST (AND PRE-HEAT FOR CONVECTION BAKE, DEHYDRATE, RAISING BREAD)



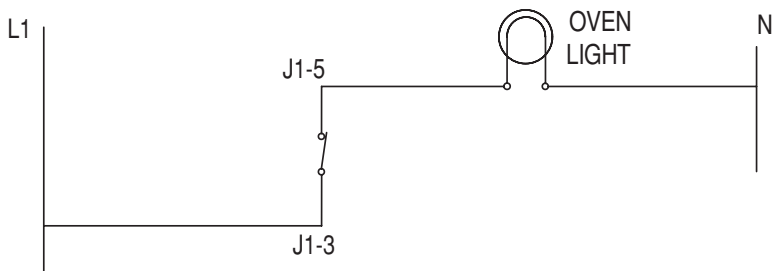
CONVECTION BROIL



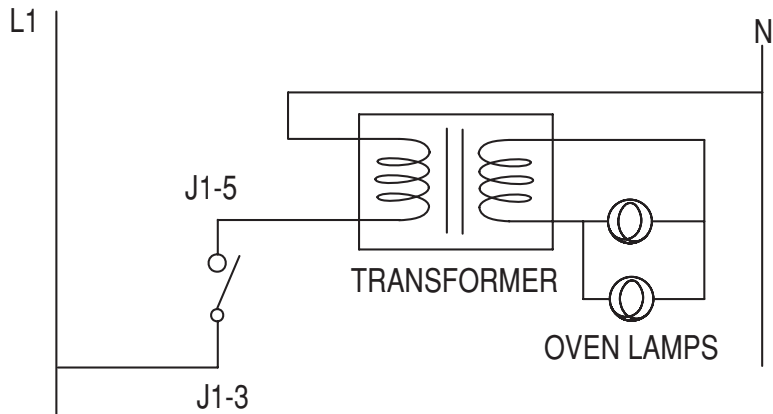
CONVECTION BAKE, DEHYDRATE, RAISING BREAD (Dehydrate: Open Oven Door)



OVEN LIGHT (OPTIONAL)



HALOGEN OVEN LIGHTS (OPTIONAL)



— NOTES —

PRODUCT SPECIFICATIONS AND WARRANTY INFORMATION SOURCES

IN THE UNITED STATES:

FOR PRODUCT SPECIFICATIONS AND WARRANTY INFORMATION CALL:

FOR WHIRLPOOL PRODUCTS: 1-800-253-1301

FOR KITCHENAID PRODUCTS: 1-800-422-1230

FOR ROPER PRODUCTS: 1-800-447-6737

FOR TECHNICAL ASSISTANCE WHILE AT THE CUSTOMER'S HOME CALL:

THE TECHNICAL ASSISTANCE LINE: 1-800-253-2870

**HAVE YOUR STORE NUMBER READY TO IDENTIFY YOU AS AN
AUTHORIZED SERVICER**

FOR LITERATURE ORDERS:

PHONE: 1-800-851-4605

IN CANADA:

FOR PRODUCT SPECIFICATIONS AND WARRANTY INFORMATION CALL:

1-800-461-5681

FOR TECHNICAL ASSISTANCE WHILE AT THE CUSTOMER'S HOME CALL:

THE TECHNICAL ASSISTANCE LINE: 1-800-488-4791

**HAVE YOUR STORE NUMBER READY TO IDENTIFY YOU AS AN
AUTHORIZED SERVICER**

KitchenAid®
FOR THE WAY IT'S MADE.®

