

KitchenAid

TECHNICAL EDUCATION

2008 DRAWER DISHWASHER



MODELS: KUDD03DT*

*Denotes Color

JOB AID 4317427

FORWARD

This KitchenAid Job Aid Double Drawer Dishwasher (Part No. 4317427), provides the In-Home Service Professional with information on the installation, operation, and service of the Double Drawer Dishwasher. For specific information on the model being serviced, refer to the “Use and Care Guide,” or “Tech Sheet” provided with the oven.

The Wiring Diagram and Strip Circuits used in this Job Aid are typical and should be used for training purposes only. Always use the Wiring Diagram supplied with the product when servicing the oven.

GOALS AND OBJECTIVES

The goal of this Job Aid is to provide information that will enable the In-Home Service Professional to properly diagnose malfunctions and repair the Double Drawer Dishwasher.

The objectives of this Job Aid are to:

- Understand and follow proper safety precautions.
- Successfully troubleshoot and diagnose malfunctions.
- Successfully perform necessary repairs.
- Successfully return the oven to its proper operational status.

WHIRLPOOL CORPORATION assumes no responsibility for any repairs made on our products by anyone other than authorized In-Home Service Professionals.

TABLE OF CONTENTS

Page

GENERAL	1-1
Dishwasher Safety	1-1
Model & Serial Number Designations	1-2
Model & Serial Number Label And Tech Sheet Locations.....	1-3
Specifications	1-4
INSTALLATION INFORMATION	2-1
Installation Requirements.....	2-1
Installation Instructions.....	2-4
PRODUCT OPERATION	3-1
COMPONENT ACCESS	4-1
Component Locations	4-1
In-Tub Components.....	4-1
Removing The Coarse Cup, Wash Arm, And Filter Flow Plate.....	4-4
Removing The Upper Manifold Assembly, And The Inlet & Outlet Bezels.....	4-5
Tub Bottom Components.....	4-6
Removing The Tub	4-6
Removing A Pump.....	4-7
Removing The Fine Drain Coil And Turbidity Sensor/Thermistor	4-8
Removing The Thermostat, Thermal Fuse, And Heater	4-9
Removing The Front Panel, Intermediate Panel, And The Control Housing	4-11
Tub Front Components.....	4-13
Removing The Pressure Switch, Detergent Dispenser, Main Control Module, And Dry Fan	4-13
Cabinet-Mounted Components	4-15
Removing The Line Break, Tub Lid, And Slider Assemblies.....	4-15
Removing The Inlet Valve/Flow Meter Assembly	4-17
Top And Bottom Frame Facia Removal.....	4-19

	Page
COMPONENT TESTING	5-1
DISHWASHER COMPONENTS	5-1
.....	5-6
DIAGNOSTICS & TROUBLESHOOTING	6-1
Diagnostics.....	6-1
WIRING DIAGRAM	7-1
Drawer Harness Wiring Diagram	7-1
Upper Frame Harness.....	7-2
Lower Frame Harness.....	7-3
Single Frame Harness	7-4

GENERAL

DISHWASHER SAFETY

Your safety and the safety of others are very important.

We have provided many important safety messages in this manual and on the appliance. Always read and obey all safety messages.



This is the safety alert symbol.

This symbol alerts you to potential hazards that can kill or hurt you and others.

All safety messages will follow the safety alert symbol and either the word “DANGER” or “WARNING.” These words mean:

! DANGER

You can be killed or seriously injured if you don't immediately follow instructions.

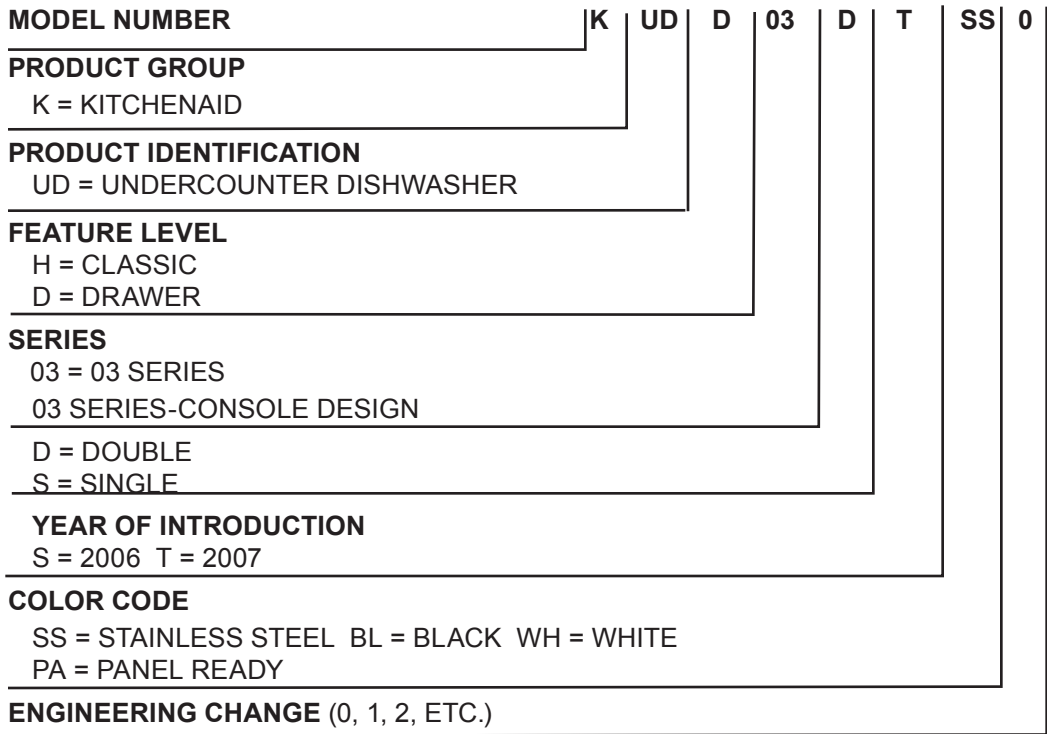
! WARNING

You can be killed or seriously injured if you don't follow instructions.

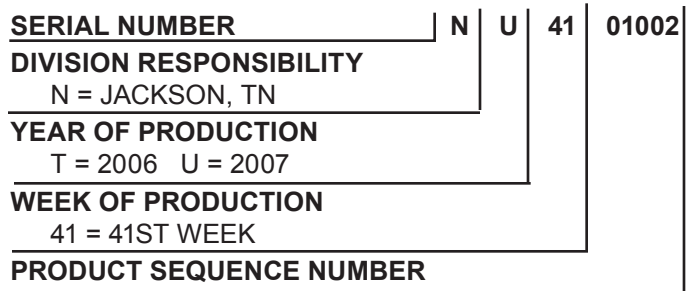
All safety messages will tell you what the potential hazard is, tell you how to reduce the chance of injury, and tell you what can happen if the instructions are not followed.

KITCHENAID MODEL & SERIAL NUMBER DESIGNATIONS

MODEL NUMBER



SERIAL NUMBER



MODEL & SERIAL NUMBER LABEL AND TECH SHEET LOCATIONS

Model & Serial Number Plate (On Left Side Of Upper Drawer)



Tech Sheet (Behind Front Panel Of Lower Drawer)



SPECIFICATIONS

Model #	White	KUDD03DTWH	KUDD03STWH
Model #	Black	KUDD03DTBL	KUDD03STBL
Model #	Stainless	KUDD03DTSS	KUDD03STSS
Model #	Panel Ready	KUDD03DTPA	KUDD03STPA
Interior			
	Capacity (per drawer)	5 DW1 Place Settings	5 DW1 Place Settings
Exterior			
Sound Package (dBa)		56	54
Overall Dimensions			
	Width	23.375	23.375
	Depth	24	24
	Depth w Door Open	43.25	43.25
	Height (min / max)	33.7-35	16.25
	Weight (lbs.)	145	71
Color and Style			
	Totally Integrated	Yes	Yes
	Full Height Door	Yes	Yes
	Accepts Wood Panel	Yes	Yes
	Towel Bar Handle	Architect 2	Architect 2
	Indicator lights	On Top	On Top
	Contoured Front - B W SS	No	No
	Toe Kick Styling	Smooth, matte finish	N/A
	Toe Kick Color	Black	N/A
Controls			
Buttons/Lights			
	Microprocessor Controls	Yes	Yes
	Countdown display	No	No
	Rinse Aid low indicator	Yes	Yes
	Type of User Interface	TouchSensor with Fascia	TouchSensor with Fascia
	Point LED	No	No
	Ring Lit LED	Yes - Blue	Yes - Blue
	Fully Integrated Look	Yes	Yes
	Intuitive Delay Start	Yes	Yes

Audio Feedback			
	Brand tones	Yes - KA specific	Yes - KA specific
	Audible - End of cycle	Yes - KA specific	Yes - KA specific
	Audible button feedback	Yes - KA specific	Yes - KA specific
	Audible - Pause Resume	Yes - KA specific	Yes - KA specific
	Audible - Drawer opening	Yes - Common	Yes - Common
Cycles / Op- tions			
Cycle	Pots&Pans / Heavy Wash	Heavy Duty	Heavy Duty
Cycle	Normal	Normal Wash	Normal Wash
Cycle	China Gentle	Light/China	Light/China
Cycle	Smart Wash	Sensor Wash	Sensor Wash
Cycle	Quick Wash	Quick Cleanup	Quick Cleanup
Cycle	Quick Rinse	Rinse Only	Rinse Only
Option	No Heat Air Dry (Option may reduce the 4 hour fan run time)	ProDry	ProDry
Option	High Temp Wash	Hi Temp Scrub	Hi Temp Scrub
Option/Light	High Temp Rinse	Sani Rinse	Sani Rinse
Option	Delay Start	4 Hour Delay	4 Hour Delay
Option/Light	Lock - Controls	Yes	Yes
	Cancel button	Yes	Yes
	Last Cycle Recall	Yes	Yes
	Add a Dish Capability	Yes	Yes
	Start button	Yes	Yes
Light	Sanitize (NSF)	Yes	Yes
	Sabbath Mode	Yes	Yes
	Kosher Certified	Yes	Yes

SPECIFICATIONS

Dish Rack.. Per Drawer			
	Color	Pacific Silver	Pacific Silver
	Maximum Plate size	11.5 rounds to 12 inches	11.5 rounds to 12 inches
	# of 12" Plate (11.5")	5	5
	Dish Direction	Front to Rear	Front to Rear
	Nylon	Yes	Yes
	Cup Shelf / Stemware Holder	1 wire cup shelf (KA style)	1 wire cup shelf (KA style)
	Small Items Bag	1 per unit	1 per unit
	Stemware Clip	No	No
	Sure Hold Clips	2	2
	Inserts	2	2
	Silver Ware Basket	2 KA split style	2 KA split style
	Silver Ware Basket Lid	2 lids	2 lids
	Sliding tines	No	No
	Adjustable Tine Angle	No	No
Performance			
Wash	AHAM DW-1 Testing (5 place)	83.3	83.3
	Upper Wash	Fixed Manifold	Fixed Manifold
	Active Wash jets (upper / lower)	Yes	Yes
	Hidden Heater	Yes	Yes
	Turbidity Sensor	Optical	Optical
	Dual Pump Motor System	Yes	Yes
Dry	Dry Score with rinse aid and Pro Dry	TBD	TBD
	No Heat Air Dry (Option may reduce the 4 hour fan run time)	ProDry	ProDry
	Non-visible vent	Yes	Yes
	Rinse Aid Dispenser	Yes	Yes
Filtration	Recommended Cleaning	Clean as Needed	Clean as Needed
	100% Filtration (3 stage)	Yes	Yes
	Fine Filter	Yes	Yes
	Course Cup Filter	Yes	Yes
	Hard Food Disposer (in drain pump)	Yes	Yes

General			
Electrical			
	Kwh / Year	339	174
	Fuse Requirements (amps)	20 amps Min.	20 amps Min.
Water Usage (Gallons)			
	Pots & Pans / Heavy	5.25 gallons	5.25 gallons
	Normal	2.75 / 5.25 gallons	2.75 / 5.25 gallons
	China Gentle	2.75 gallons	2.75 gallons
	Smart Wash	2.75 / 5.25 gallons	2.75 / 5.25 gallons
	Quick Wash	2.75 gallons	2.75 gallons
	Quick Rinse	1.75 gallons	1.75 gallons
E-Star compliant		Yes	Yes
	EF	0.65	1.3
Cycle Time: (With Out Dry) in Minutes			
	Pots & Pans / Heavy	80	80
	Normal	59 - 76	59 - 76
	China Gentle	60	60
	Smart Wash	60 - 140	60 - 140
	Quick Wash	35	35
	Quick Rinse	18	18
Shipping Weight (lbs)		164	85
Installation Dimensions (inches)			
	Width	24	24
	Height	33.875	17
	Depth	22.875	22.875

— NOTES —

INSTALLATION INFORMATION

INSTALLATION REQUIREMENTS FOR DOUBLE DRAWER

IMPORTANT SAFETY INSTRUCTIONS

WARNING: When using the dishwasher, follow basic precautions, including the following:

- Read all instructions before using the dishwasher.
- Use the dishwasher only for its intended function.
- Use only detergents or rinse agents recommended for use in a dishwasher, and keep them out of the reach of children.
- When loading items to be washed:
 - 1) Locate sharp items so that they are not likely to damage the door seal; and
 - 2) Load sharp knives with the handles up to reduce the risk of cut-type injuries.
- Do not wash plastic items unless they are marked “dishwasher safe” or the equivalent. For plastic items not so marked, check the manufacturer's recommendations.
- Do not touch the heating element during or immediately after use.
- Do not operate the dishwasher unless all enclosure panels are properly in place.
- Do not tamper with controls.
- Do not abuse, sit on, or stand on the door, lid, or dish racks of the dishwasher.
- To reduce the risk of injury, do not allow children to play in or on the dishwasher.
- Under certain conditions, hydrogen gas may be produced in a hot water system that has not been used for two weeks or more. **HYDROGEN GAS IS EXPLOSIVE.** If the hot water system has not been used for such a period, before using the dishwasher turn on all hot water faucets and let the water flow from each for several minutes. This will release any accumulated hydrogen gas. As the gas is flammable, do not smoke or use an open flame during this time.
- Remove the door or lid to the washing compartment when removing an old dishwasher from service or discarding it.

WARNING



Tip Over Hazard

Do not open dishwasher drawer until inside cabinet opening.

Doing so can cause serious injury.

You need to:

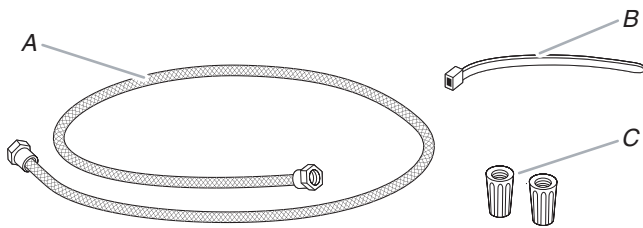
- Slowly open dishwasher drawer while someone grasps the rear of the dishwasher. Remove shipping materials. Close dishwasher drawer. Latch the dishwasher drawer shut.
- Observe all governing codes and ordinances.
- Install this dishwasher as specified in these instructions.
- Have everything you need to properly install dishwasher.
- Contact a qualified installer to ensure that dishwasher is installed to meet all electrical and plumbing national and local codes and ordinances.

Gather the required tools and parts before starting installation. Read and follow the instructions provided with any tools listed here.

TOOLS NEEDED

- Pliers
- Phillips screwdriver
- Flat-blade screwdriver
- 3/16" and 1/4" nut drivers or hex sockets
- Measuring tape or ruler
- 1 1/2 hole saw bit
- 10" adjustable wrench
- Utility knife
- Level
- Electric drill
- 1/8" drill bit
- Security T-20 TORX®† driver (if installing custom front panels)

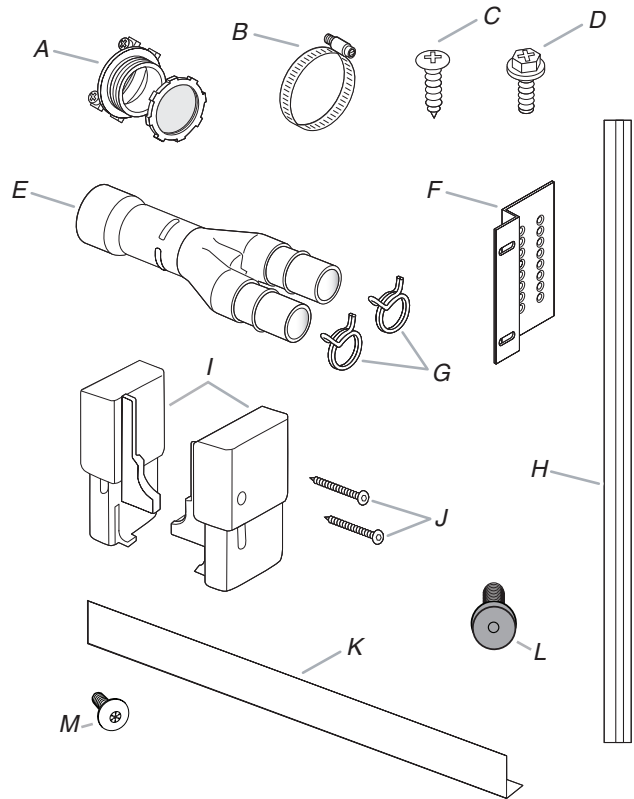
PARTS NEEDED



- A. 60" (152.4 cm) flexible water supply line
- B. Zip tie
- C. 2 appropriate sized UL listed wire connectors

PARTS SUPPLIED

Check that all parts are included.



- A. 3/4" UL listed strain relief
- B. 1.25" hose clamp
- C. 8 mounting bracket screws
- D. 4 unit mounting screws
- E. Y drain connector
- F. 4 mounting brackets
- G. Drain connector spring clamps
- H. 2 trim strips
- I. Toe kick brackets
- J. 2 toe kick bracket screws
- K. Toe kick trim
- L. 2 panel fasteners (on some models)
- M. 10 TORX † screws (on some models)

†®TORX is a registered trademark of Textron Innovations Inc.

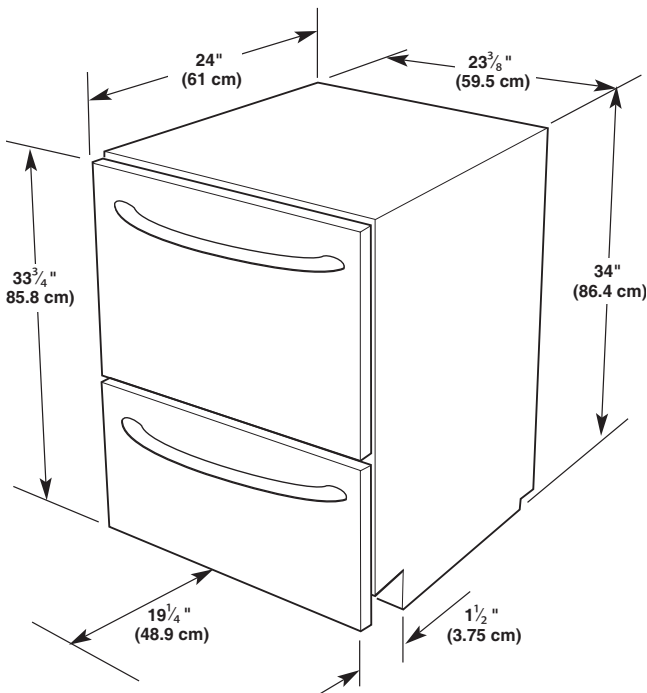
LOCATION REQUIREMENTS

IMPORTANT: Observe all governing codes and ordinances. Failure to meet codes and ordinances could lead to fire or electrical shock.

Proper installation is your responsibility.

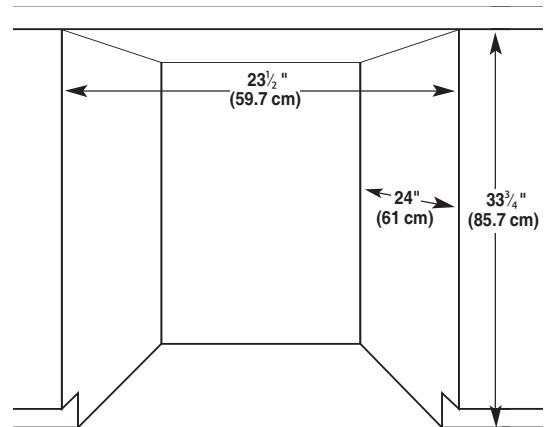
- Contact a qualified installer to ensure that the dishwasher is installed to meet all electrical and plumbing national and local codes and ordinances.
- Install the dishwasher as specified in these instructions.
- Have everything you need to properly install dishwasher.
- Protect dishwasher and water lines leading to dishwasher against freezing. Damage from freezing is not covered by the warranty.
- This dishwasher is manufactured for indoor use only.
- Install and level dishwasher on a floor that will hold the weight, and in an area suitable

PRODUCT DIMENSIONS

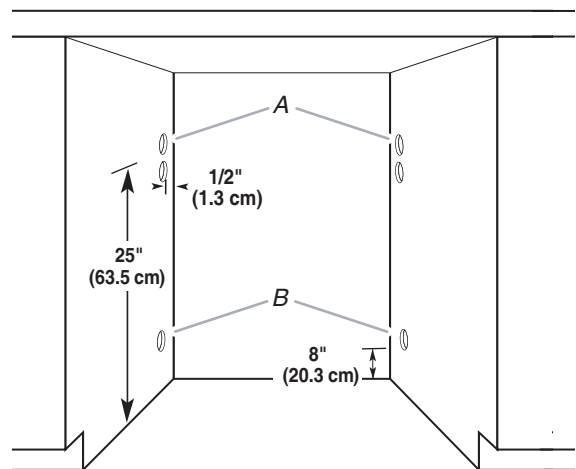


INSTALLATION CLEARANCES

Cutout dimensions



Preferred utility area



- A. Choose left-hand or right-hand drain and water connection route.
B. Choose left-hand or right-hand electric connection route.

NOTE: All holes should be drilled at 1/2" (3.8 cm) diameter.

WATER SUPPLY REQUIREMENTS

- A hot water line with 20-120 psi (138-862 kPa) water pressure.
- 120°F (49°C) water temperature at dishwasher.
- Flexible stainless steel braided fill line (1/2" minimum plastic tubing is not recommended).

ELECTRICAL REQUIREMENTS

WARNING



Electrical Shock Hazard

Plug into a grounded 3 prong outlet.

Do not remove ground prong.

Do not use an adapter.

Do not use an extension cord.

Failure to follow these instructions can result in death, fire, or electrical shock.

GROUNDING INSTRUCTIONS

- **For a grounded, cord-connected dishwasher:**

The dishwasher must be grounded. In the event of a malfunction or breakdown, grounding will reduce the risk of electric shock by providing a path of least resistance for electric current. The dishwasher is equipped with a cord having an equipment-grounding conductor and a grounding plug. The plug must be plugged into an appropriate outlet that is installed and grounded in accordance with all local codes and ordinances.

WARNING: Improper connection of the equipment-grounding conductor can result in a risk of electric shock. Check with a qualified electrician or service representative if you are in doubt whether the dishwasher is properly grounded. Do not modify the plug provided with the dishwasher; if it will not fit the outlet, have a proper outlet installed by a qualified electrician.

- **For a permanently connected dishwasher:**

The dishwasher must be connected to a grounded metal, permanent wiring system, or an equipment grounding conductor must be run with the circuit conductors and connected to the equipment grounding terminal or lead on the dishwasher.

Contact a qualified electrician.

Ensure that the electrical installation is adequate and in conformance with all national and local codes and ordinances.

You must have:

- 120-volt, 60 Hz, AC-only, 15 or 20 amp fused electrical supply.
- Copper wire only.

We recommend:

- A time-delay fuse or circuit breaker.
- A separate circuit.

If direct wiring dishwasher:

- Use flexible, armored or nonmetallic sheathed, copper wire with grounding wire that meets the wiring requirements for your home and local codes and ordinances.
- Use strain relief method provided with house wiring junction box or install a UL-listed/CSA-certified clamp connector to the house wiring junction box. If using conduit, use a UL-listed/CSA-certified conduit connector.

If connecting dishwasher with a power supply cord:

- Use Power Supply Cord Kit (Part Number 4317824) marked for use with dishwashers. Kit contents include:
- Voltex, Inc., UL listed 16 gauge 3 wire power supply cord with 3 prong grounded plug.
- Neer C-500 7/8" strain relief.
- 3 wire connectors.
- Part Number 302797 grommet.

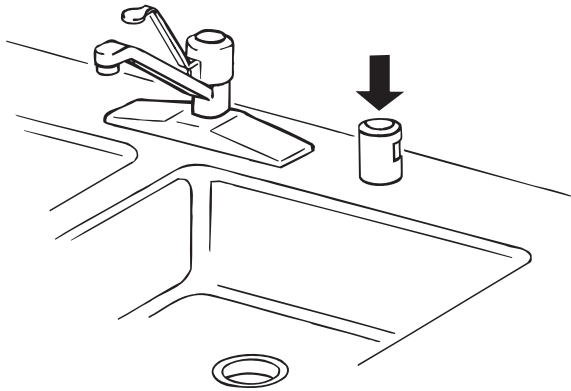
Follow the kit instructions for installing the power supply cord.

- Power supply cord must plug into a mating three prong, grounded outlet, located in the cabinet next to the dishwasher opening. Outlet must meet all local codes and ordinances.

IMPORTANT: If you plan to install a garbage disposer, an additional separate 120-volt, 60 Hz, AC-only, 15 or 20 amp fused electrical supply is required.

DRAIN REQUIREMENTS

- Use the new drain hose supplied with your dishwasher. If this is not long enough, use a new drain hose with maximum length of 12 ft (3.7 m) that meets all current AHAM/IAPMO test standards, is resistant to heat and detergent, and fits the 1" (2.5 cm) drain connector of the dishwasher.
- Connect drain hose to waste tee or disposer inlet above drain trap in house plumbing and 20" (50.8 cm) minimum above the floor. It is recommended that the drain hose either be looped up and securely fastened to the underside of the counter, or be connected to an air gap.



- Use a drain air gap if the drain hose is connected to house plumbing lower than 20" (50.8 cm) above the subfloor or floor.
- Use 1/2" (1.3 cm) minimum I.D. drain line fittings.

INSTALLATION INSTRUCTIONS

! WARNING



Electrical Shock Hazard

Disconnect electrical power at the fuse box or circuit breaker box before installing dishwasher.

Failure to do so can result in death or electrical shock.

1. Disconnect power.
2. Turn off water supply.

Unpack Dish Drawer

! WARNING

Excessive Weight Hazard

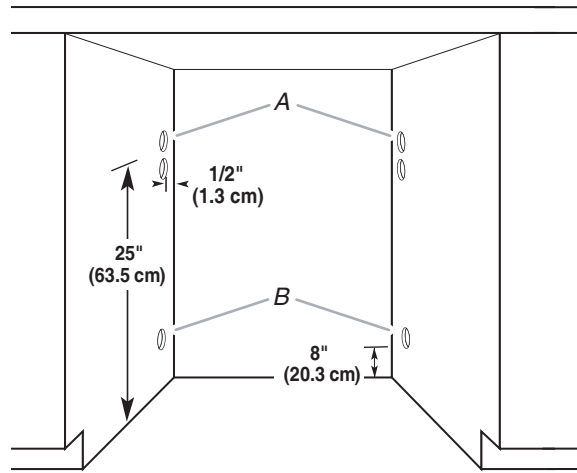
Use two or more people to move and install oven.

Failure to do so can result in back or other injury.

1. Read valuable information on exterior of shipping box before opening.
2. Remove shipping materials, tape and protective film from the dishwasher. Remove parts package from inside the dishwasher.

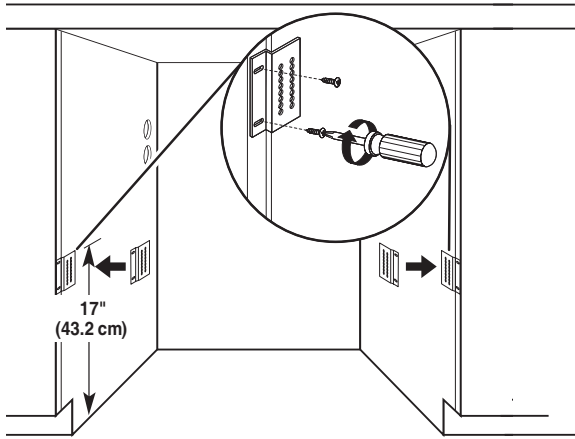
Prepare Cabinet Opening

1. To ensure minimum clearance dimensions exist:
 - Measure the distance from the cabinet countertop to the floor and ensure 33 3/4" (85.7 cm) minimum height.
 - Measure the distance from the front of the cabinet to the back wall and ensure 24" (61 cm) minimum depth.
 - Measure the distance from the left-hand side to the righthand side of opening and ensure 23 1/2" (59.7 cm) minimum width.
2. Drill 1 1/2" (3.8 cm) diameter holes for drain and water hoses and electrical wiring as shown. Holes should be placed 1/2" (1.3 cm) from back wall.



- A. Choose left-hand or right-hand drain and water hose route.
B. Choose left-hand or right-hand electric wire route.

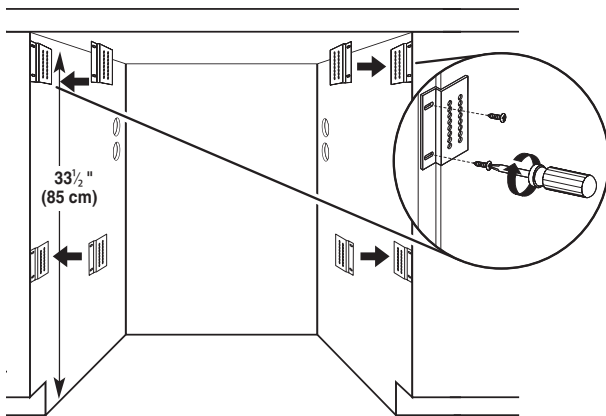
3. Install mounting brackets 17" (43.2 cm) from floor usingscrews provided. If needed, drill 1/8" pilot holes in cabinet.



4. Decide which dishwasher-to-counter attachment method will be used.

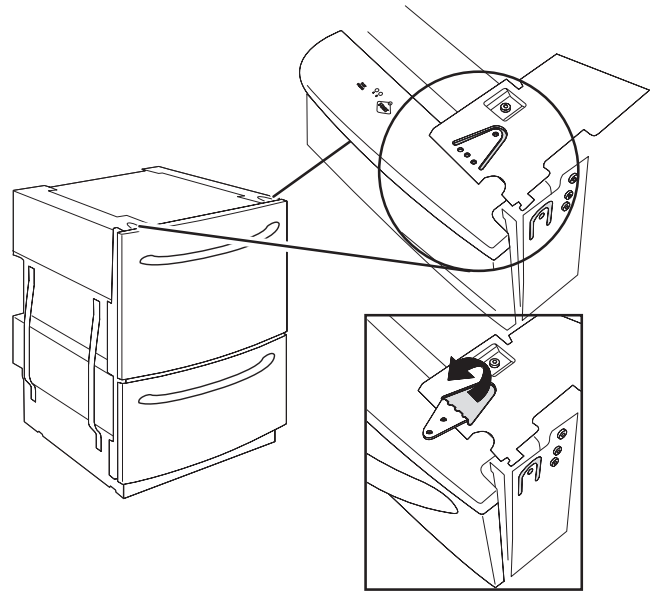
Option 1: Solid surface countertop installation

- Install second set of mounting brackets 33½" (85 cm) from floor. If needed, drill 1/8" pilot holes in cabinet.



Option 2: Wood countertop installation

- Prepare dishwasher by folding over tabs located on the top front as shown.



Prepare Dishwasher

⚠ WARNING



Tip Over Hazard

Do not open dishwasher drawer until inside cabinet opening.

Doing so can cause serious injury.

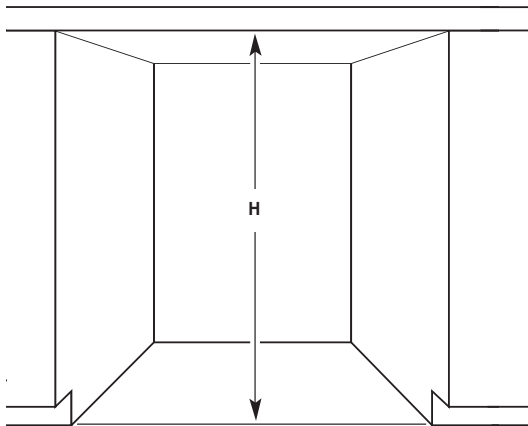
⚠ WARNING

Excessive Weight Hazard

Use two or more people to move and install oven.

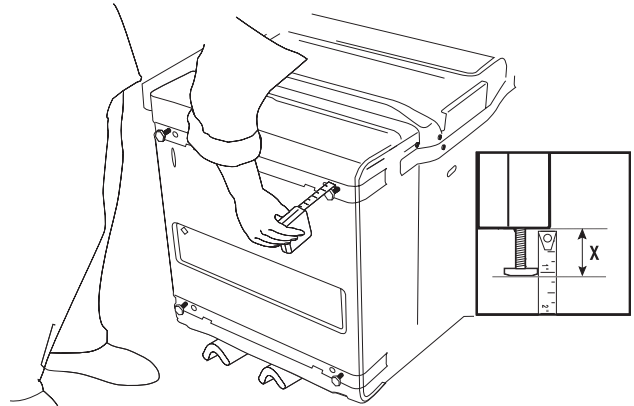
Failure to do so can result in back or other injury.

1. Measure cabinet opening height from floor to bottom of countertop.



2. Place corner packaging on the floor and place dishwasher on its back.

3. Adjust leveling legs based on the cabinet opening measurement and the chart below.



H	:X	H	:X
33 ⁷ / ₈ " (86 cm)	:0"	34 ¹ / ₂ " (87.6 cm)	: ³ / ₈ " (1.6 cm)
34" (86.3 cm)	: ¹ / ₈ " (0.3 cm)	34 ⁵ / ₈ " (87.9 cm)	: ³ / ₄ " (1.9 cm)
34 ¹ / ₈ " (86.7 cm)	: ¹ / ₄ " (0.6 cm)	34 ³ / ₄ " (88.3 cm)	: ⁷ / ₈ " (2.2 cm)
34 ¹ / ₄ " (87 cm)	: ³ / ₈ " (1 cm)	34 ⁷ / ₈ " (88.6 cm)	:1" (2.5 cm)
34 ³ / ₈ " (87.3 cm)	: ¹ / ₂ " (1.3 cm)	35" (88.9 cm)	:1 ¹ / ₈ " (2.9 cm)

4. Place dishwasher in upright position.

Route Electrical Wiring

⚠ WARNING



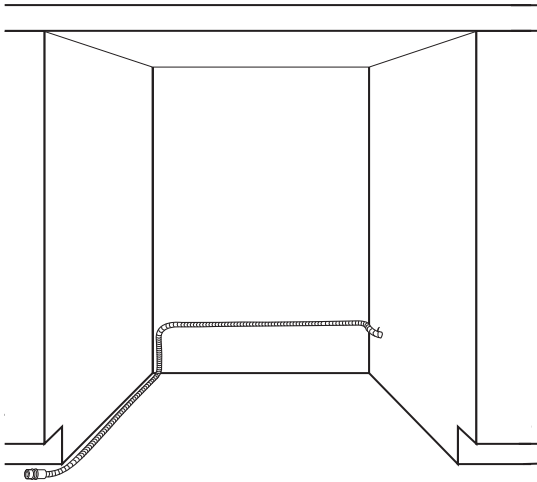
Electrical Shock Hazard

Disconnect electrical power at the fuse box or circuit breaker box before installing dishwasher.

Failure to do so can result in death or electrical shock.

Follow all national and local codes and ordinances for completing electrical supply to cabinet.

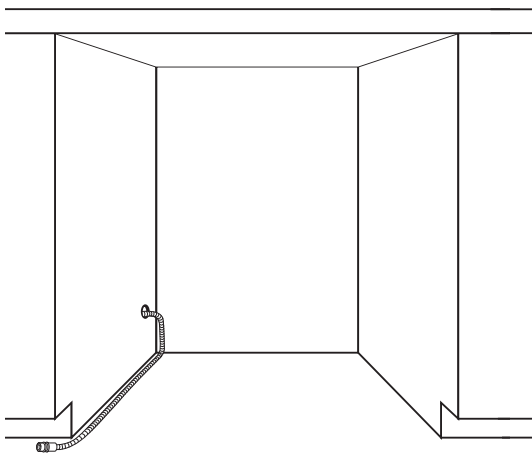
Option 1: Right-hand side utility route



Route wire through 1½" (3.81 cm) hole located 8" (20.32 cm) above the floor.

After routing the electrical wire through the right-hand hole, attach the wire to back left-hand side of cabinet wall 8" (20.32 cm) above the floor. Then continue routing the wire along the left-hand side of cabinet opening to the front of the opening.

Option 2: Left-hand side utility route

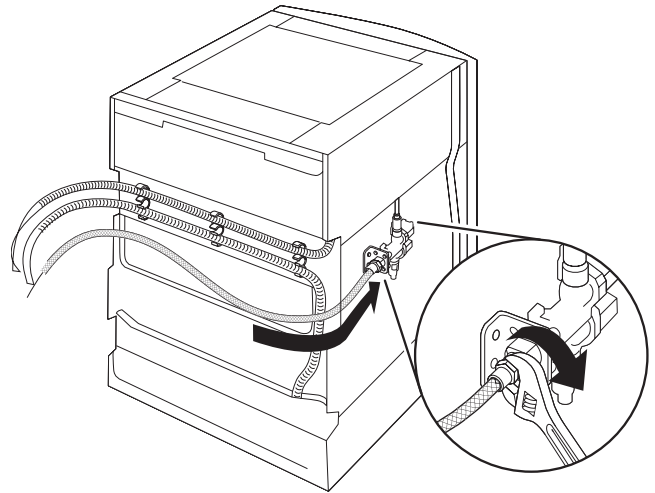


Route wire through 1½" (3.81 cm) hole located 8" (20.32 cm) above the floor.

After routing the electrical wire through the left-hand hole, continue routing the wire along the left-hand side of cabinet to the front of the opening.

Route Water Supply Line and Drain Hose

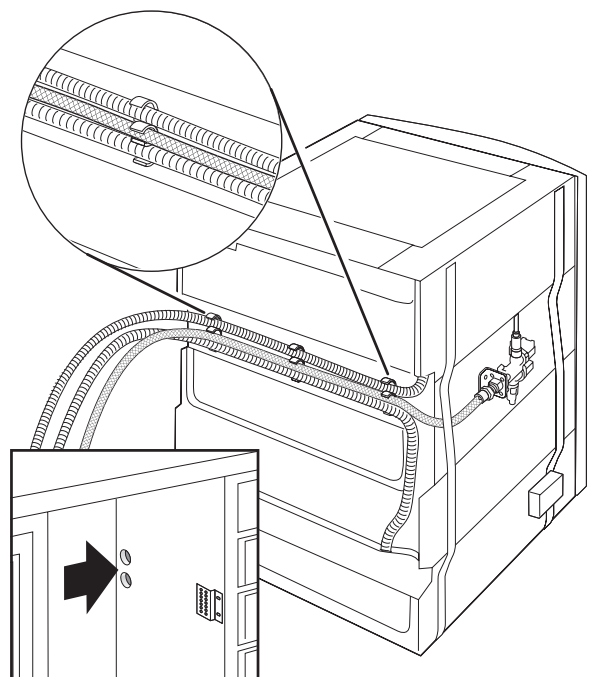
1. Connect water supply line to water valve on dishwasher.



2. Route water supply line and drain hoses based on your cabinet requirements.

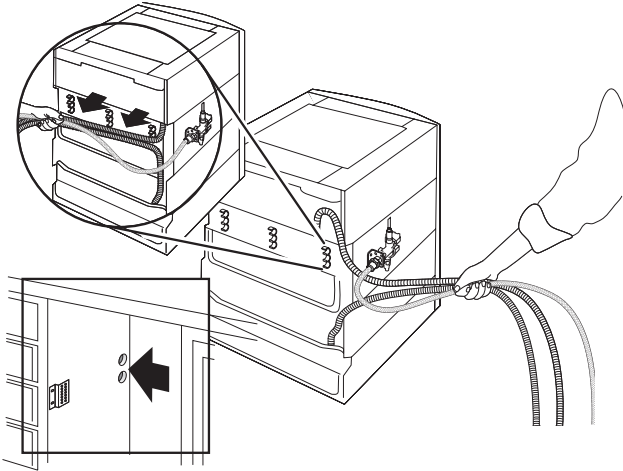
Option 1: Right-hand side utility access

- For right-hand routing, water supply and drain hoses are shipped in the correct position. Place the water supply line in the clip as shown.

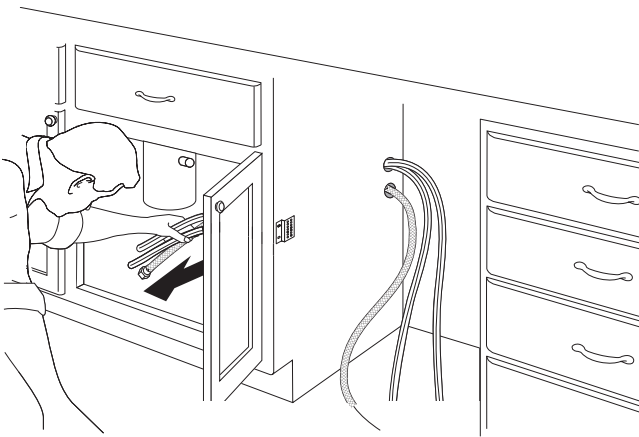


Option 2: Left-hand side utility access

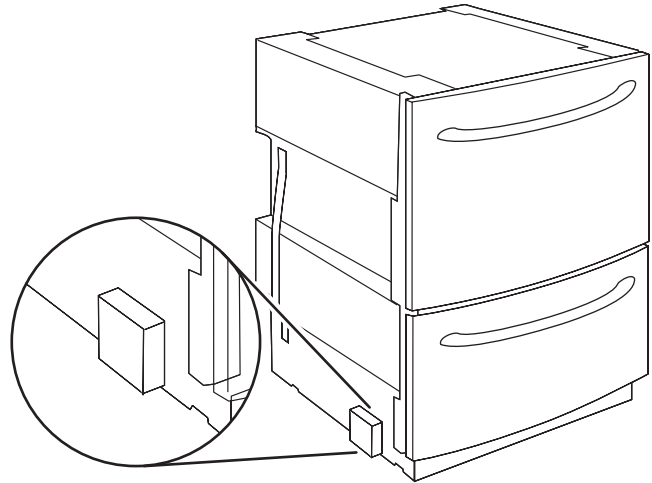
- For left-hand routing, remove drain hoses from the clips in the rear bracket as shown.



- Route water supply line and drain hoses into the cabinet.

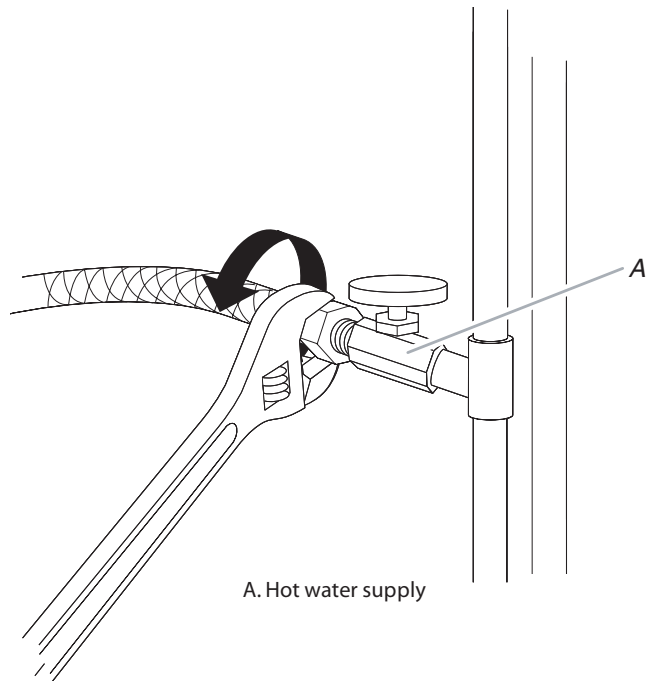


- Slide dishwasher partway into the cabinet opening. Allow for access to the electrical terminal box.

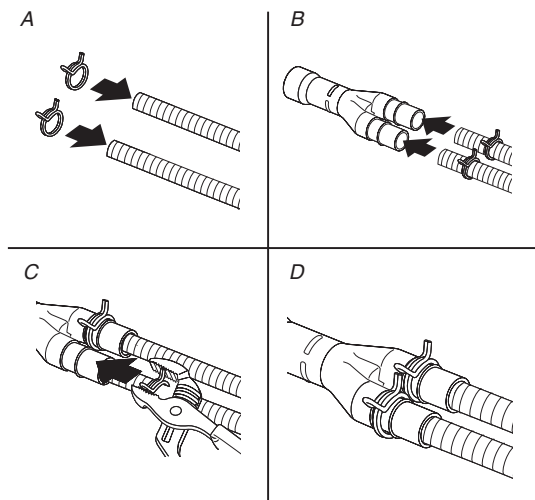


Connect Water Supply Line and Drain Hoses

1. Connect water supply line to the water valve under the sink.

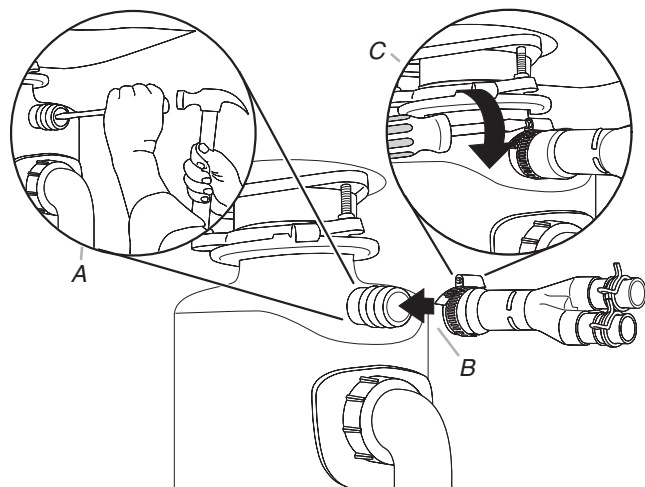


- Slide clamps onto drain hoses (Figure A). Do not cut drain hoses.
- Push hoses into Y drain connector until fully seated (Figure B). Several “clicks” will be heard.
- Slide clamps into position (figures C and D).



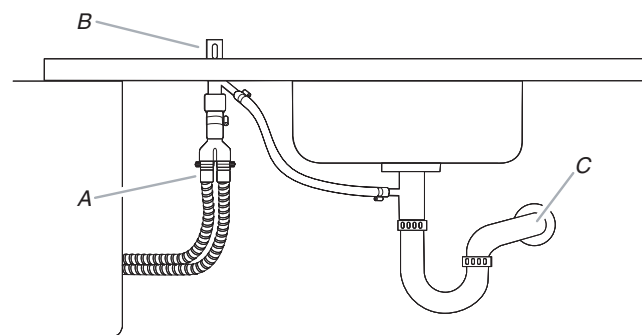
- Connect the drain hose using one of the following options:

Option 1: Waste disposer no drain air gap



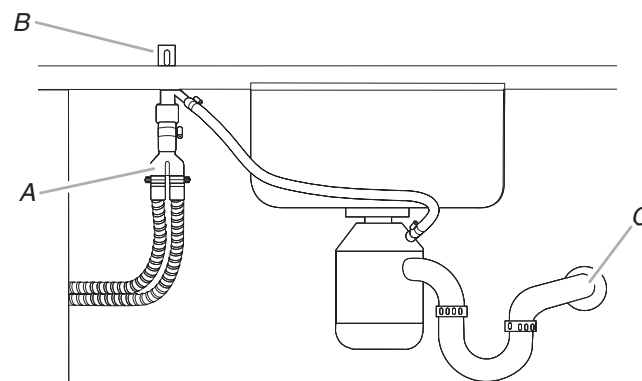
- For new construction, remove disposer plug.
- Connect drain connector to waste disposer.
- Tighten clamp.

Option 2: No waste disposer and drain air gap



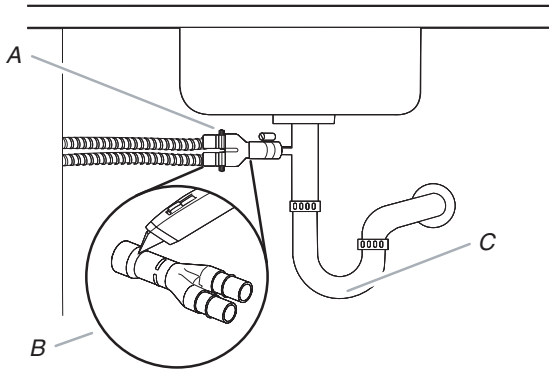
- Drain hose connector
- Drain air gap
- Waste

Option 3: Waste disposer and drain air gap



- Drain hose connector
- Drain air gap
- Waste

Option 4: No waste disposer, no drain air gap



A. Drain hose connector
 B. Cut drain connector
 C. Waste

NOTE: Attach the drain hose connector to the water waste line using the supplied hose clamp.

6. Turn on water and check for leaks.

Make Electrical Connection

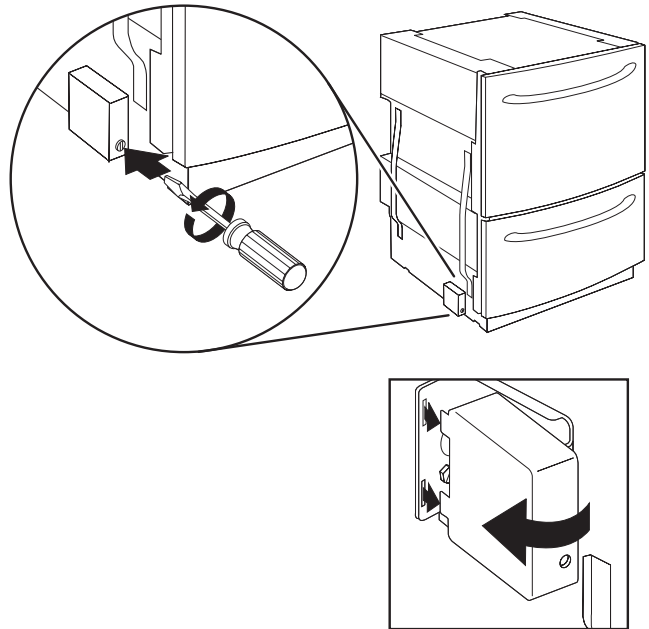
⚠ WARNING

Electrical Shock Hazard

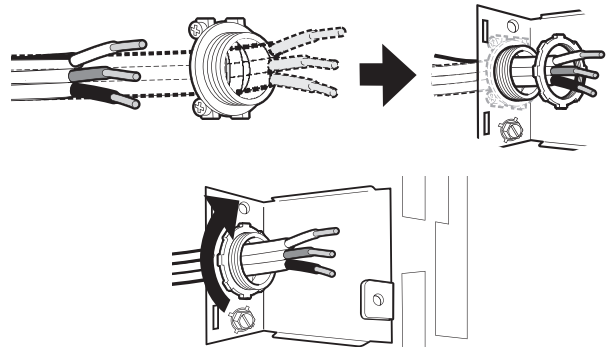
Disconnect electrical power at the fuse box or circuit breaker box before installing dishwasher.

Failure to do so can result in death or electrical shock.

1. Remove screw securing the electrical box cover. Remove cover.



2. Route electrical wires through strain relief and secure to electrical plate.



⚠ WARNING



Electrical Shock Hazard

Electrically ground dishwasher.

Connect ground wire to green ground connector in terminal box.

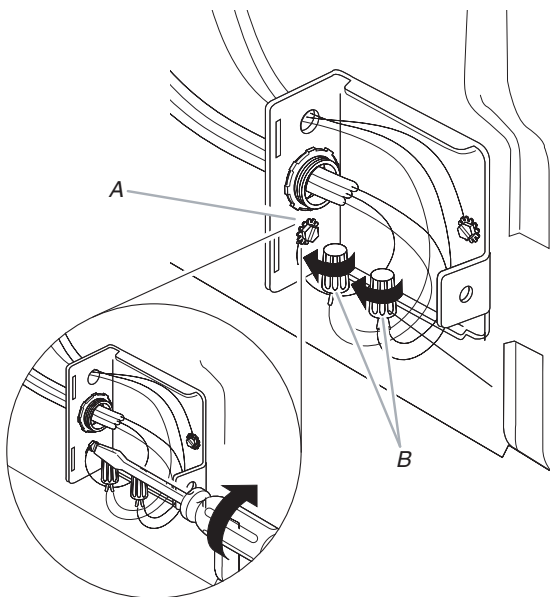
Do not use an extension cord.

Failure to follow these instructions can result in death, fire, or electrical shock.

3. Connect wires as follows using twist-on connectors sized to connect direct wire to 16 gauge dishwasher wire.

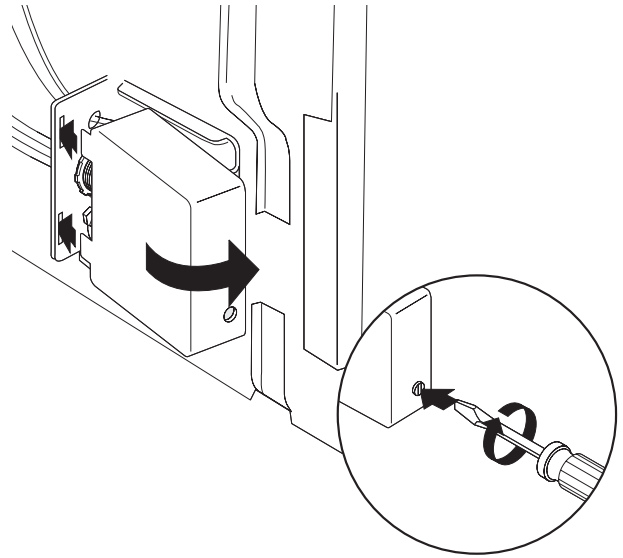
Power supply wire:		Terminal box wire:
white	↔	white
black	↔	black
ground wire	↔	ground connector

4. Attach ground wire to the green ground screw.



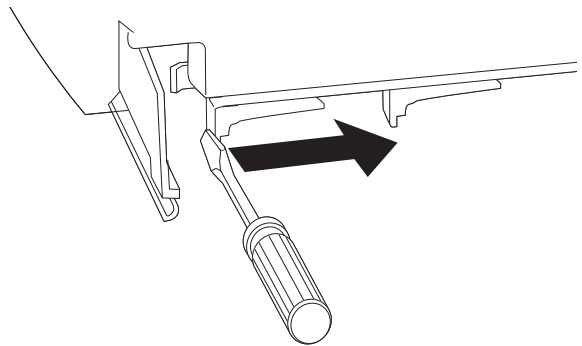
A. Attach ground wire to green screw.
B. Attach white and black wires.

5. Reinstall electric box cover with all wires contained inside the terminal box.

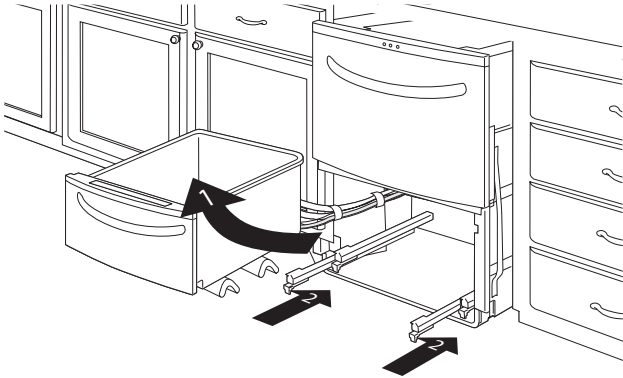


Install Trim Pieces

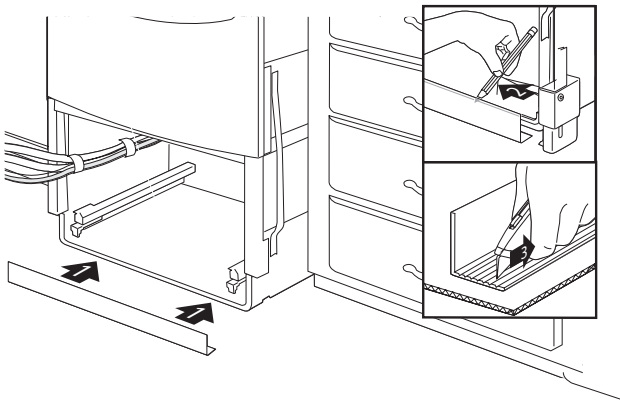
1. Open bottom drawer.
2. Push in clips and slide rails back 5" (12.7 cm).



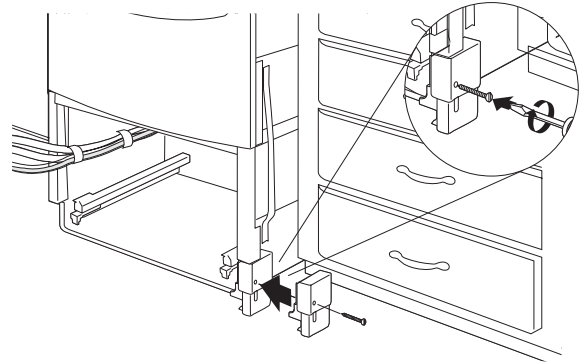
3. Lift drawer off slide rails. Place drawer off to the left on protective covering. Slide rails into dishwasher.



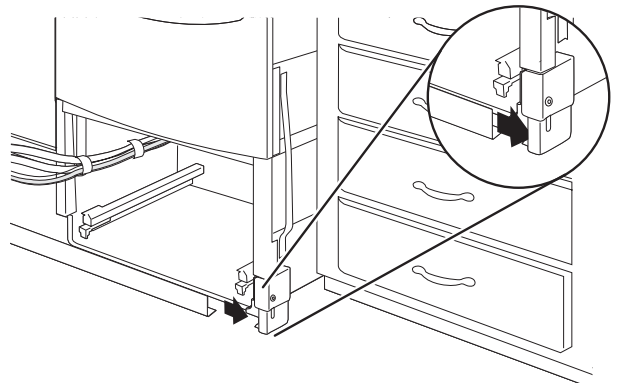
4. Rest trim strip on floor and mark trim at the top of the frame flange height. Pick the closest groove to the mark. If the mark is between two grooves, choose the groove that makes the trim strip the shortest. On a protective surface, cut the trim strip at the selected groove.



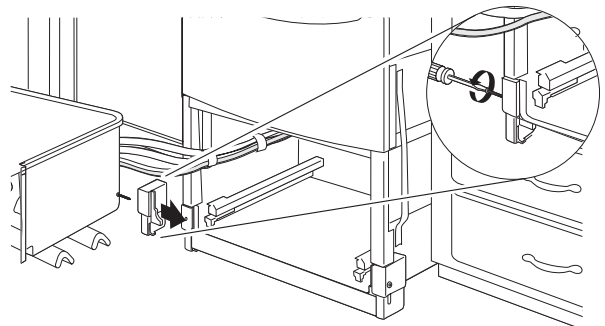
5. Attach the toe kick bracket to the frame.



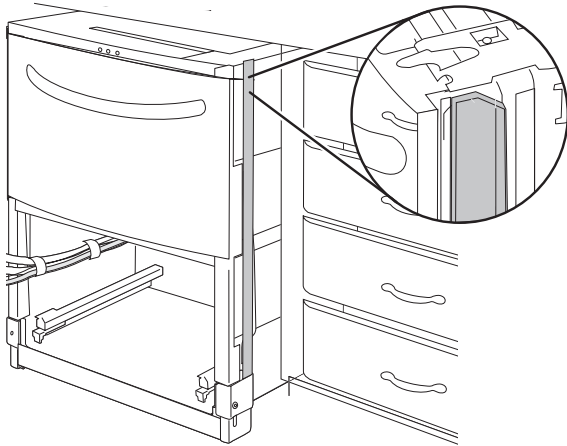
6. Place trim strip into toe kick bracket.



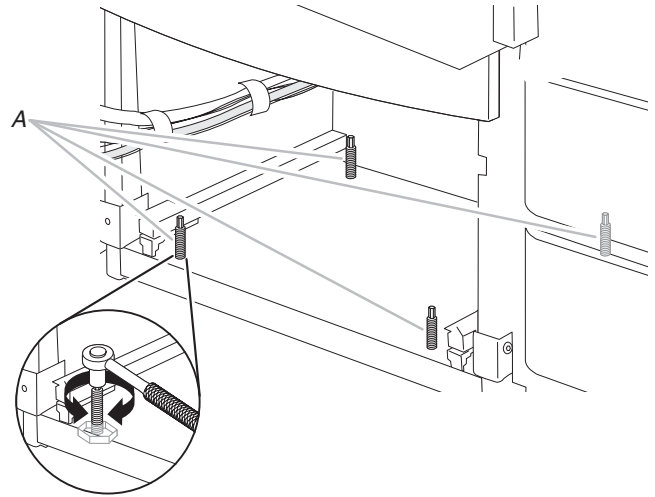
7. Attach toe kick bracket on the opposite side.



- Place flexible side trim strips on both sides as shown.



- Adjust legs with a 3/16" socket wrench to level the dishwasher.

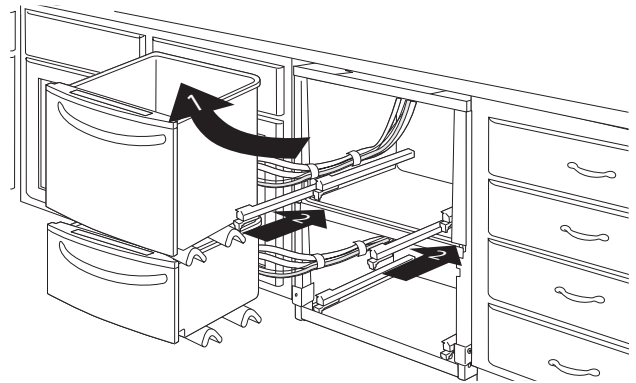
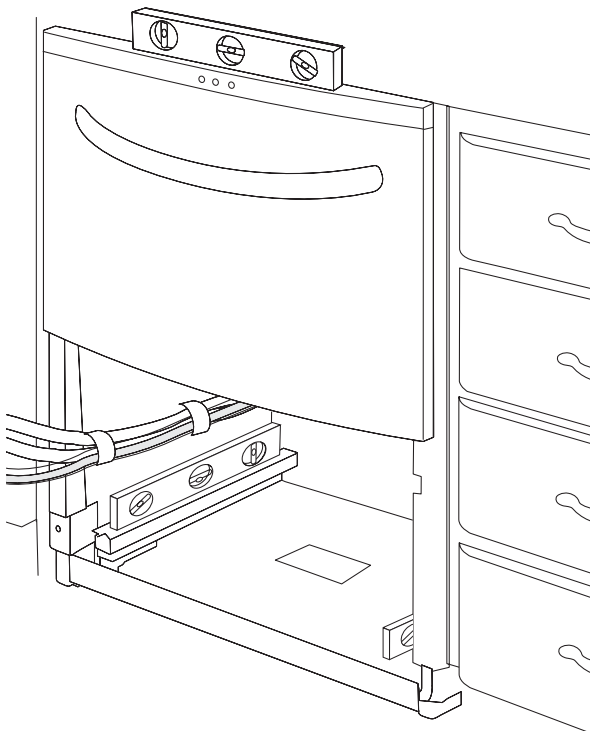


A. Adjust legs.

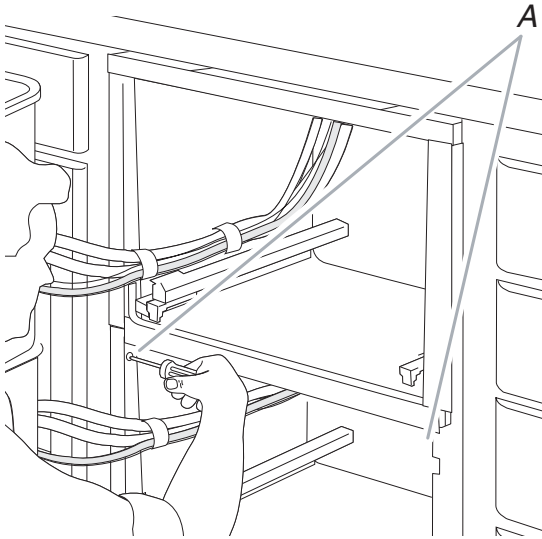
Level and Secure Dishwasher

- Slide the dishwasher into position in the cabinet opening. Check to ensure that the drain hose and electrical wiring are not kinked.
- Check left to right level by placing the level on the top of the drawer. Check front to back level by placing level on the slide rails.

- Remove top drawer (same procedure as followed to remove bottom drawer) and set drawer on bottom drawer separated with corner packaging.



- Attach dishwasher to the lower cabinet mounting bracket (installed earlier).

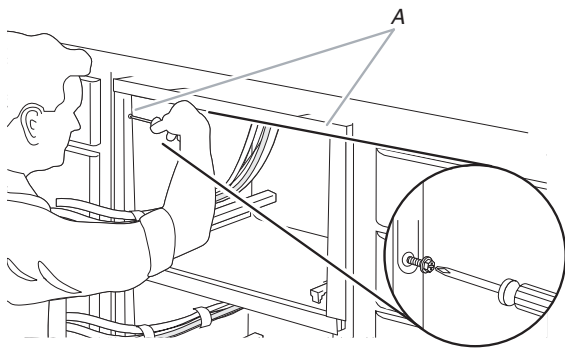


A. Attach dishwasher to lower cabinet mounting bracket.

- Attach dishwasher to upper cabinet mounting brackets.

Option 1: Solid surface countertop

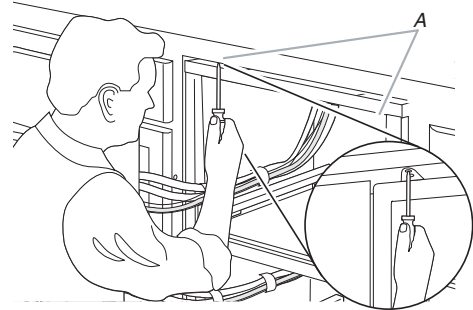
Attach dishwasher to the side cabinet mounting brackets (installed earlier).



A. Attach dishwasher to side cabinet mounting brackets.

Option 2: Wood countertop

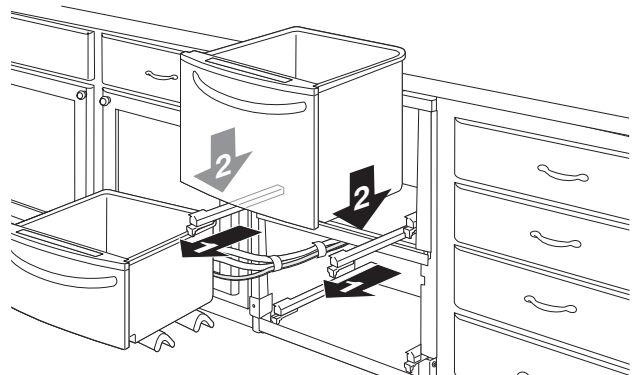
Attach the dishwasher to the countertop using the folded over mounting tabs located on the top of the dishwasher.



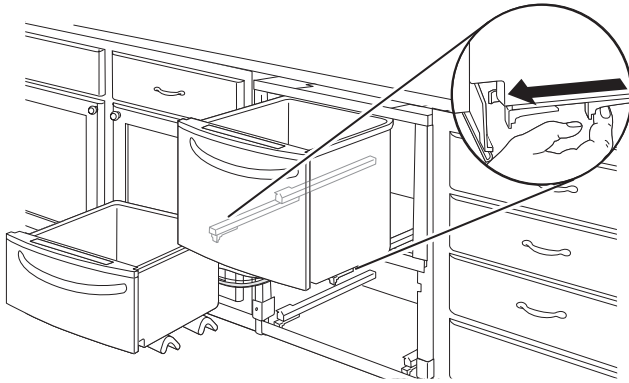
A. Attach dishwasher to countertop using folded over mounting tabs.

Complete Installation

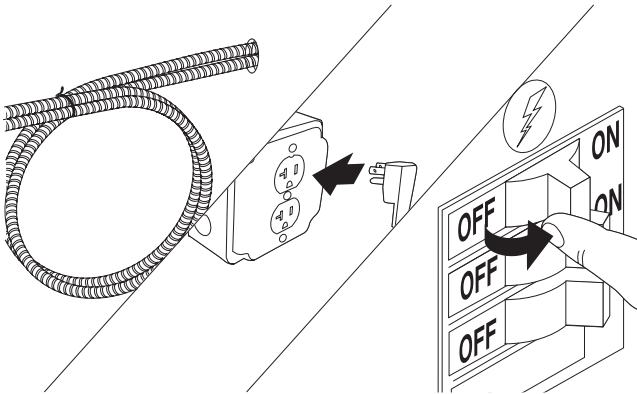
- Pull top drawer slide rails out and set top drawer on slide rails.



2. Pull slide rails forward until they snap into position.



3. Push top drawer in and repeat above steps for bottom drawer.
4. In the cabinet under the sink, coil excess drain hose and wrap with a zip tie. Plug in dishwasher or reconnect the power.



5. Select the Rinse Only cycle and press START/RESUME. Allow the dishwasher to fill, rinse and drain. Check for leaks. If leaks are found, secure the connection and repeat this step.

If you need Assistance or Service:

Please reference the “Assistance or Service” section of the User Instructions or contact the dealer from whom you purchased your dishwasher.

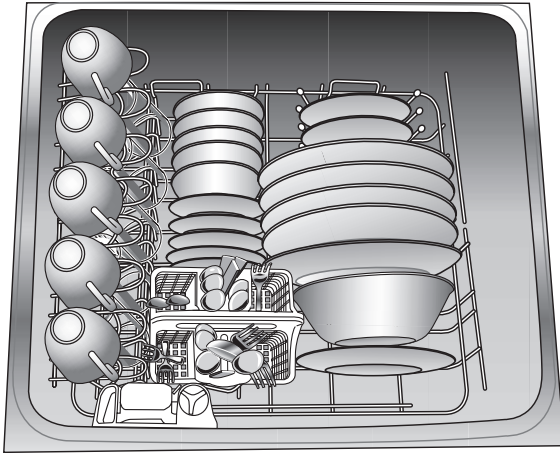
— NOTES —

PRODUCT OPERATION

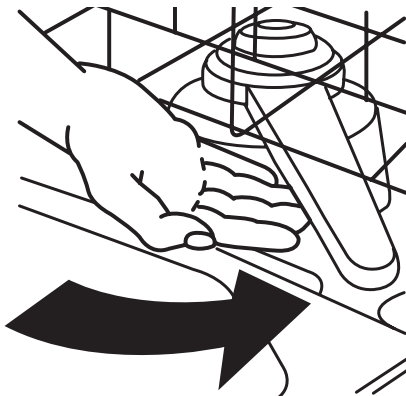
DISHWASHER USE

STEP 1

Prepare and Load the Dishwasher

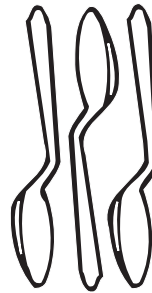


IMPORTANT: Remove leftover food, bones, toothpicks and other hard items from the dishes. Remove labels from containers before washing.



- Make sure nothing keeps spray arm(s) from spinning freely. It is important for the water spray to reach all soiled surfaces.
- Make sure that when the dishwasher drawer is closed no items are blocking the detergent dispenser.

- Items should be loaded with soiled surfaces facing down and inward to the spray as shown. This will improve cleaning and drying results.
- Avoid overlapping items like bowls or plates that may trap food.
- Place plastics, small plates and glasses in the rack. Wash only plastic items marked "dishwasher safe."
- To avoid thumping/clattering noises during operation: Load dishes so they do not touch one another. Make sure lightweight load items are secured in the racks.



- When loading silverware, always place sharp items pointing down and avoid "nesting" as shown.

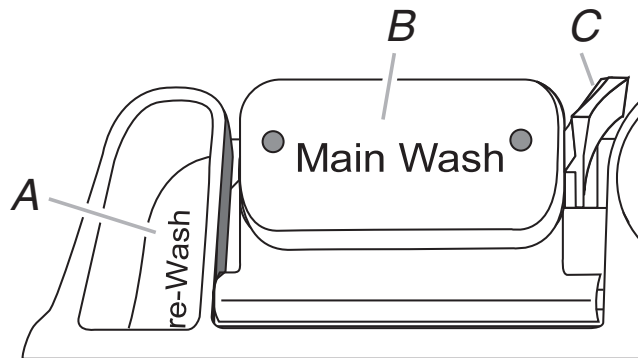
STEP 2

Add Detergent

NOTE: If you do not plan to run a wash cycle soon, run a rinsecycle. Do not use detergent.

- Use automatic dishwasher detergent only. Add powder, liquid or tablet detergent just before starting a cycle.

- Fresh automatic dishwasher detergent results in better cleaning. Store tightly closed detergent container in a cool, dry place.



- A. Pre-Wash section
- B. Main Wash section
- C. Cover latch

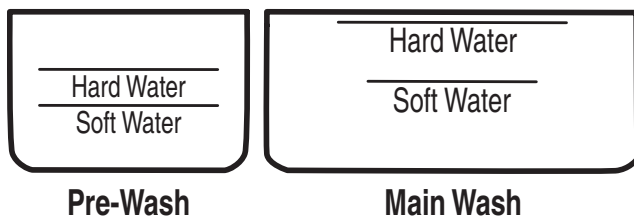
- The amount of detergent to use depends on:
- How much soil remains on the items - Heavily soiled loads require more detergent.

The hardness of the water - If you use too little in hard water, dishes won't be clean. If you use too much in soft water, glassware will etch.

Soft to Medium Water (0-6 grains per U.S. gallon) [typical water softener water and some city water]

Medium to Hard Water (7-12 grains per U.S. gallon) [well water and some city water]

- Depending on your water hardness, fill the Main Wash section of the dispenser as shown. Fill the Pre-Wash section to the level shown, if needed.



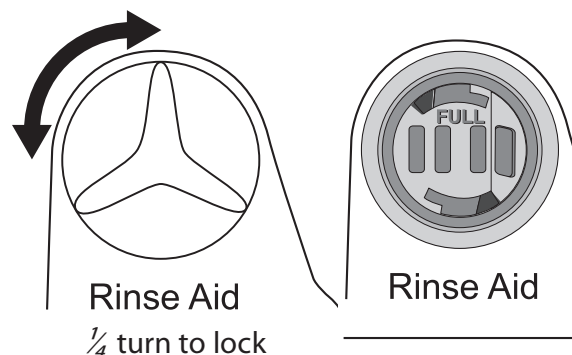
NOTE: Fill amounts shown are for standard powdered detergent. Follow instructions on the package when using other dishwasher detergent.

- Powdered detergent is recommended for use in the drawer dishwasher.
- When using gel or powder packets/tablets, it is recommended that the dispenser lid not be closed to allow the detergents to dissolve properly from the beginning of the cycle.

Add Rinse Aid

- Your dishwasher is designed to use rinse aid for good drying performance. Without rinse aid your dishes and dishwasher interior will have excessive moisture.
- Rinse aid keeps water from forming droplets that can dry as spots or streaks. They also improve drying by allowing water to drain off of the dishes after the final rinse.
- Rinse aid helps to reduce excess moisture on the dish racks and interior of your dishwasher.
- When the dispenser is low and needs to be refilled, an indicator light on the control panel will illuminate.
- To add rinse aid, turn the dispenser cap a 1/4 turn counter clockwise and remove. Pour rinse aid into the opening until the liquid reaches the FULL level marking. Replace the dispenser cap and turn clockwise until the cap is secure.

● Rinse Aid Low



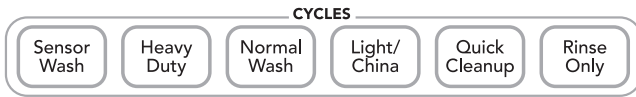
NOTE: For most water conditions, the factory setting of 2 will give good results.

STEP 3

Select a Cycle (cycles vary by model)

See “Cycle and Option Description” charts in the following section.

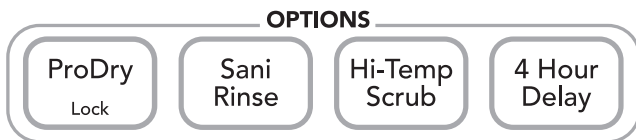
Heavier cycles and options affect cycle length. Some cycles and options will take up to 2 1/2 hours to complete.



Select Options (options vary by model)

See “Cycle and Option Description” charts in the following section.

You can customize your cycles by pressing the options desired. To Cancel an option, press it again.



STEP 4

Start or Resume a Cycle

- Run hot water at the sink nearest your dishwasher until the water is hot. Turn off water.
- Select the wash cycle and options desired.



- Press START/RESUME button once and close the drawer. After a brief pause, the cycle will begin. The drawer must be closed within 3 seconds after pushing START/RESUME or the lights will flash, a tone will sound, and the dishwasher will not begin. Press the START/RESUME button again and shut the drawer within 3 seconds.
- You can add an item anytime before the main wash starts. Open the drawer slowly and add the item. Press the START/RESUME then close the drawer.

NOTE: If you have a two drawer dishwasher model, each drawer has its own controls and can run independently of the other.

Cycle and Option Descriptions



This information covers several different models. Your dishwasher may not have all the cycles and options described.

CYCLE SELECTIONS					
CYCLES	DISH LOAD TYPES	DESCRIPTIONS	WASH TIME (HH:MM)		
			Cycle Minimum	Cycle+Options Minimum	*Maximum
	Use for loads with normal amounts of food soil.	This cycle uses a sensor to adjust amount of water, time and heat.	1:15	1:30	2:10
	Use for hard-to-clean, heavily soiled pots, pans, casseroles, and regular tableware.	This cycle forces max time, water and heat.	1:30	1:30	2:10
	Use for loads with normal amounts of food soil.	The energy-usage label is based on this cycle.	1:05	1:30	2:10
	Use for lightly soiled items or china and crystal.	This cycle washes at lower temperatures. Towel drying may be required.	1:00	1:00	1:20
	Use to quickly wash prerinsed glasses or dish loads.	This cycle does not dry.	0:30	none	none
	Use for rinsing dishes, glasses, and silverware that will not be washed right away.	This cycle does not dry. Do not use detergent.	0:10	none	none



You can customize your cycle by selecting an option.

See option selections, if you change your mind, press the option again to turn off the option, or select a different option. You can change an option anytime before the selected option begins.









*Maximum wash times depend on water temperature, heavy soil condition, dish load size and options selected.

NOTE: Dry time (fan running) is typically 4 hours after wash cycle. After 30 minutes of dry time, the clean light will illuminate. Any time after the clean light is lit and the drawer is opened for longer than 30 seconds, the cycle will be terminated.

OPTION SELECTIONS			
OPTIONS	DISH LOAD TYPES	DESCRIPTIONS	USE WITH:
	For best drying results, dry dishes with heat.	This option with the use of rinse aid will provide the best drying performance.	All cycles, except Rinse Only. Automatic with all wash cycles unless you turn it off.
	To sanitize your dishes and glassware in accordance with NSF/ANSI Standard 184 for Residential Dishwashers.	Raises the water temperature in the final rinse to approximately 155°F (68°C). This high temperature rinse sanitizes your dishes and glassware in accordance with NSF/ANSI Standard 184 for Residential Dishwashers. Certified residential dishwashers are not intended for licensed food establishments. The Sanitize or Sani Rinse option adds heat and time to the cycle.	Normal cycle and Sensor wash. Heavy Duty cycle automatically uses Sani Rinse. Only these sanitization cycles have been designed to meet the NSF/ANSI requirements.
	Loads containing tough, baked-on food.	Increases the target water temperature during the wash portions of the cycle. Adds heat, wash time and water to the cycle.	Heavy Duty, Normal or Sensor Wash

OPTION SELECTIONS			
OPTIONS	DISH LOAD TYPES	DESCRIPTIONS	USE WITH:
	To run your dishwasher at a later time or during off-peak hours.	Delays the start of a cycle up to 4 hours. Select a wash cycle and options. Press 4 Hour Delay. Press START/RESUME. Close the drawer firmly.	All cycles, except Rinse Only
	To avoid unintended use of your dishwasher, or cycle and option changes during a cycle.	To turn on Lock, press and hold ProDry for at least 4 seconds. To turn off Lock, press and hold ProDry for at least 4 seconds. When Control Lock is lit, all buttons are disabled. If you press any pad while your dishwasher is locked, the light flashes 3 times. The dishwasher drawer can be opened while the controls are locked.	Anytime

IMPORTANT: The sensor in your dishwasher monitors the soil level. Cycle time and/or water usage can vary as the sensor adjusts the cycle for the best wash performance. If the incoming water is less than the recommended temperature or food soils are heavy, the cycle will automatically compensate by adding time, heat and water as needed.

CONTROLS AND CYCLE STATUS		
CONTROL	PURPOSE	COMMENTS
	To start or resume a wash cycle	If the drawer is opened during a cycle or the power is interrupted, the Start/Resume indicator flashes. The cycle will not resume until the drawer is closed and Start/Resume is pressed.
	To cancel wash cycle	Close the drawer firmly. The dishwasher starts a 2-minute drain (if needed). Let the dishwasher drain completely.
<ul style="list-style-type: none">  Washing  Drying  Clean  Sanitized  RinseAid Low  Locked 	To follow the progress and status of your dishwasher cycle	<p>Clean indicator glows when a cycle is finished.</p> <p>If you select the Sani Rinse option, when the Sani Rinse cycle is finished, the Sanitized indicator glows. If your dishwasher did not properly sanitize your dishes, the light flashes at the end of the cycle. This can happen if the cycle is interrupted, or the water could not be heated to the required temperature. The light goes off when you open and close the drawer or press CANCEL.</p> <p>Rinse aid low indicator light glows when the rinse aid dispenser needs to be refilled.</p>

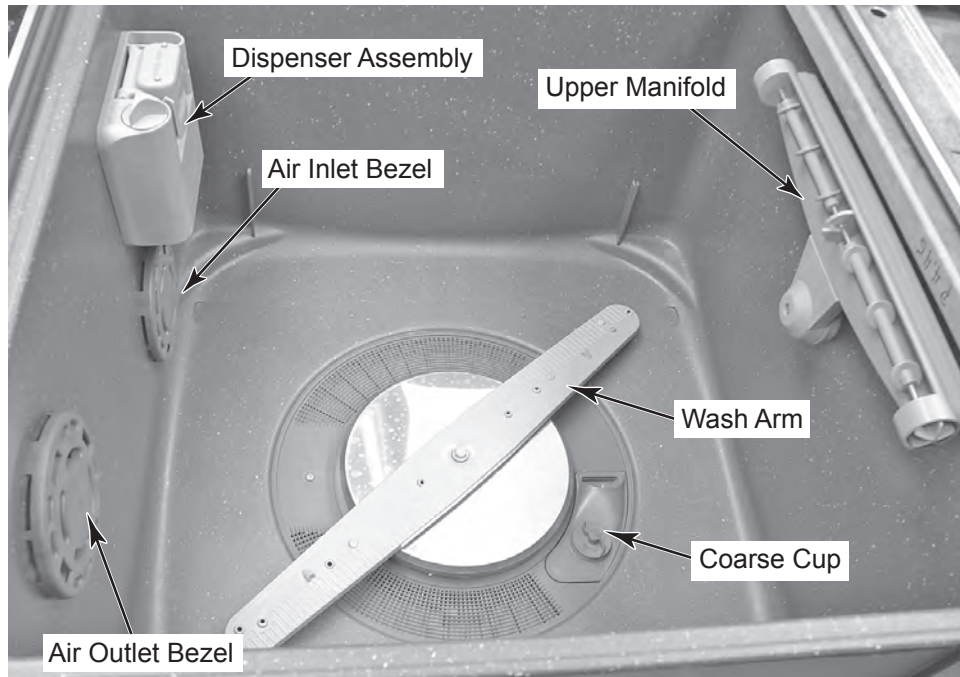
— NOTES —

COMPONENT ACCESS

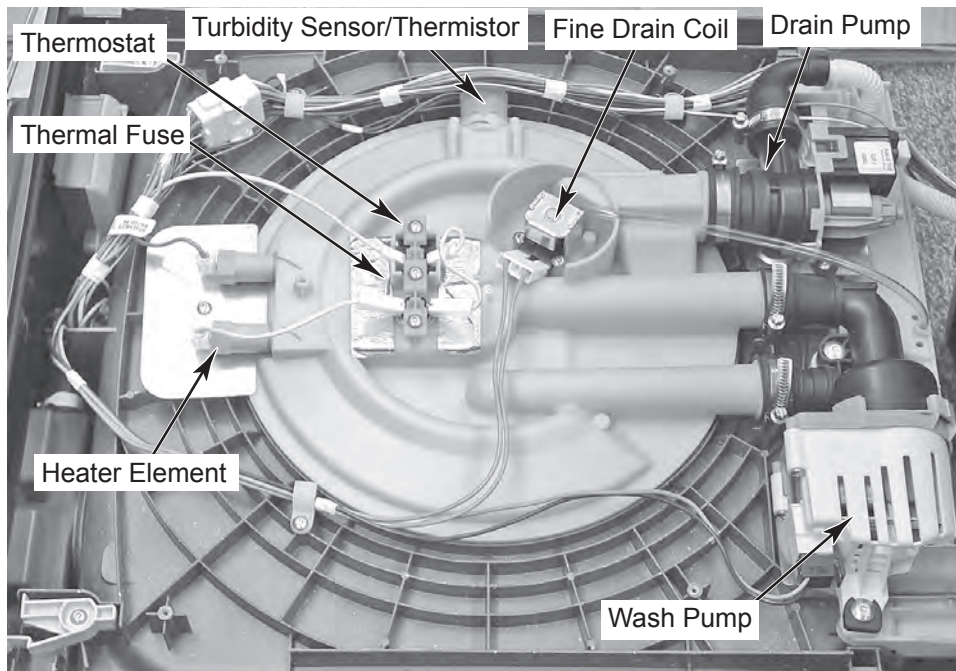
This section instructs you on how to service each component inside the KitchenAid 2008 Drawer Dishwasher.

COMPONENT LOCATIONS

IN-TUB COMPONENTS

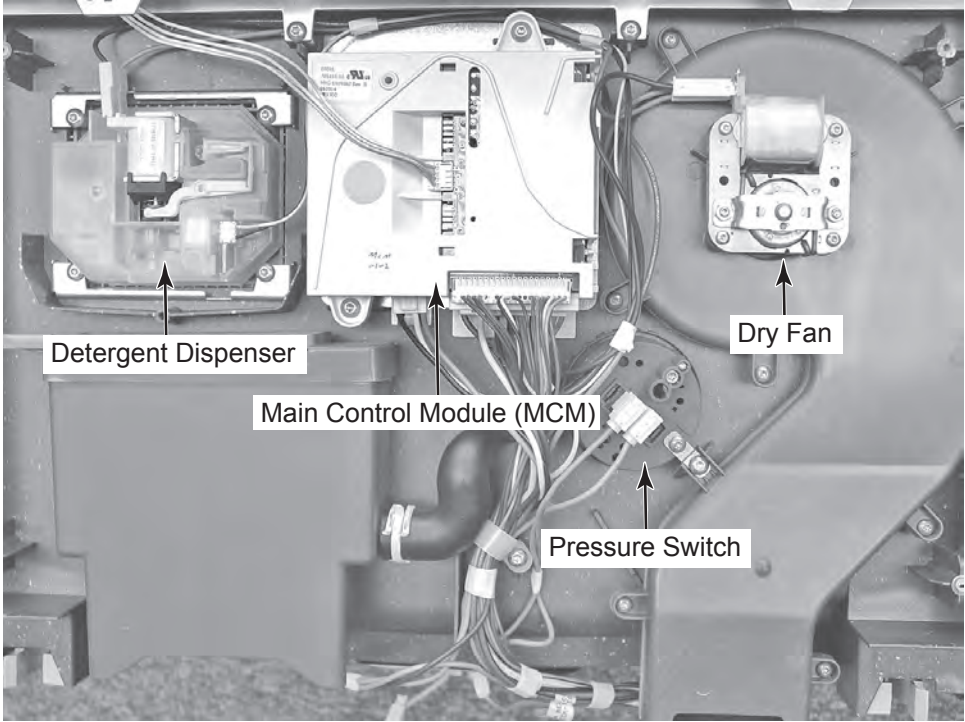


TUB BOTTOM COMPONENTS

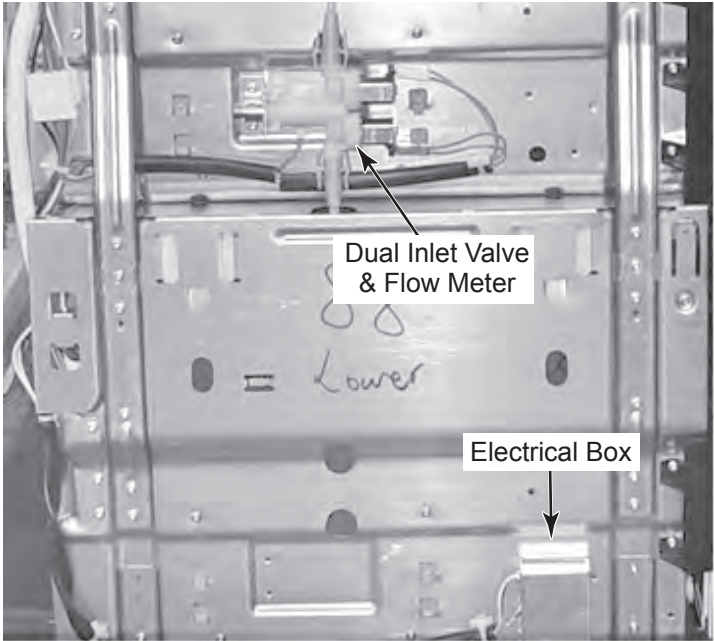


Continued on the next page.

TUB FRONT COMPONENTS

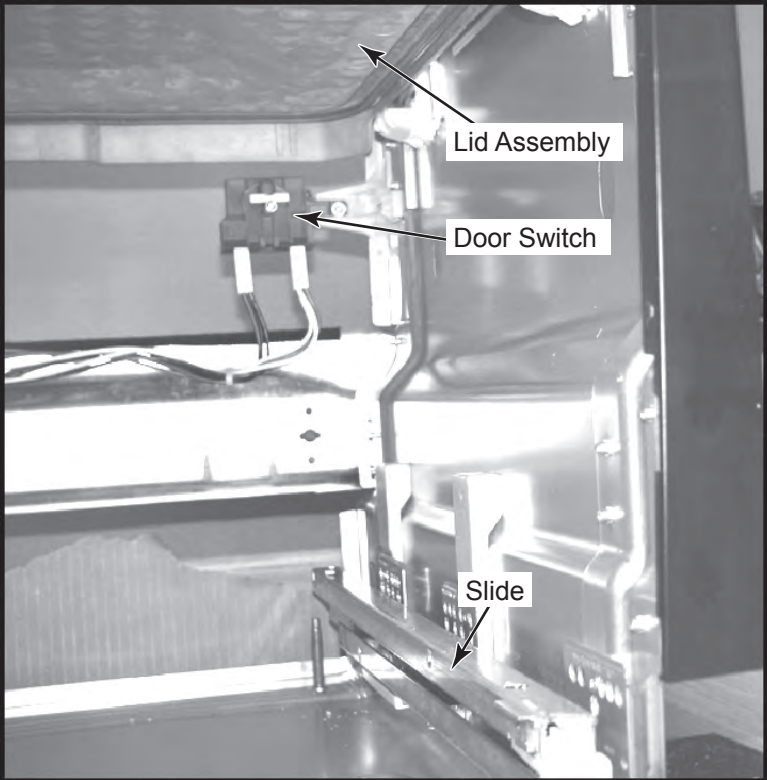


CABINET-MOUNTED COMPONENTS



Viewed From Left Side Of Dishwasher

CABINET-MOUNTED COMPONENTS (Continued)



Viewed from front with door removed

IN-TUB COMPONENTS

REMOVING THE COARSE CUP, WASH ARM, AND FILTER FLOW PLATE



! WARNING

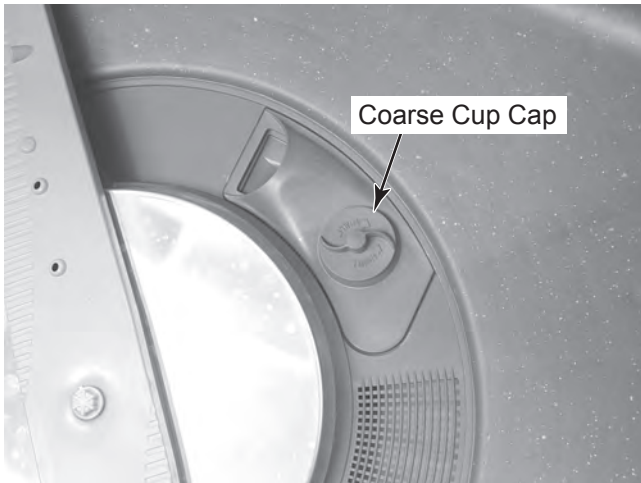
Electrical Shock Hazard

Disconnect power before servicing.

Replace all parts and panels before operating.

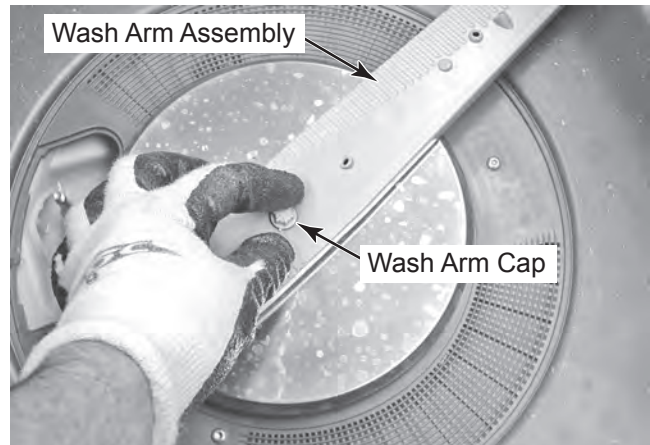
Failure to do so can result in death or electrical shock.

1. Unplug dishwasher or disconnect power.
2. Turn off the water supply to the dishwasher.
3. Remove the silverware basket and dish racks.
4. **To remove the coarse cup:**
 - a) Unscrew and remove the coarse cup cap.

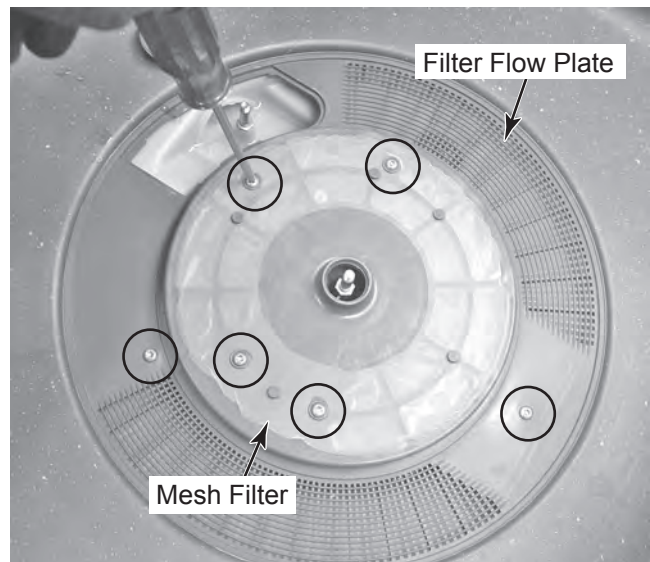


- b) Lift out the coarse cup. **NOTE:** The coarse cup is comprised of two “slotted” pieces that can be separated for cleaning.

5. **To remove the wash arm:**
 - a) Unscrew and remove the wash arm cap.
 - b) Lift out the wash arm.



6. **To remove the Filter Flow plate,** remove the retaining screws and lift the plate out of the tub.



REMOVING THE UPPER MANIFOLD ASSEMBLY, AND THE INLET & OUTLET BEZELS



! WARNING

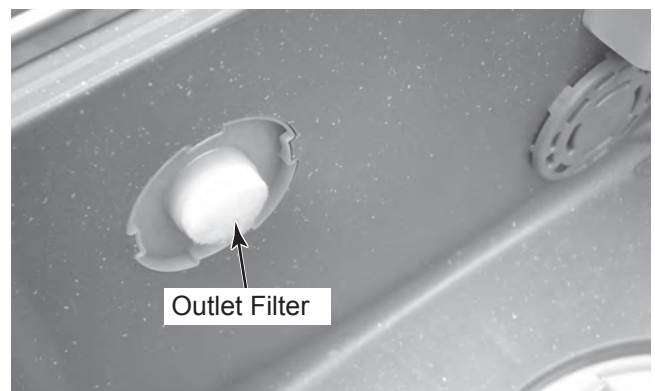
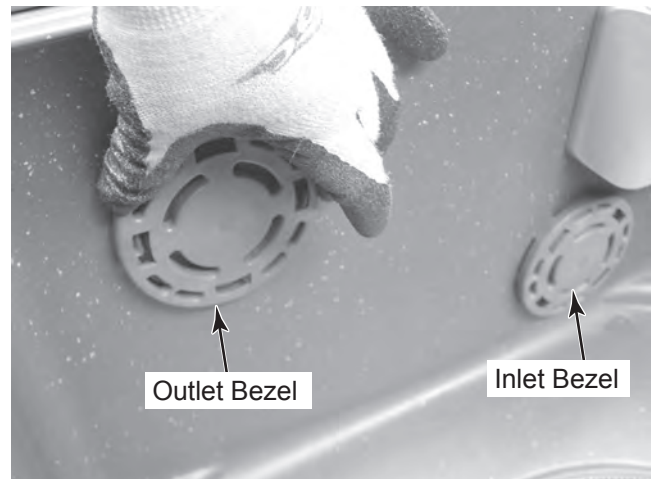
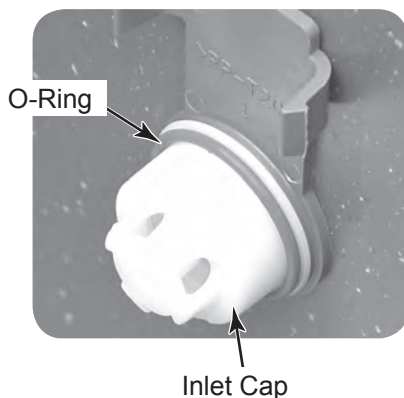
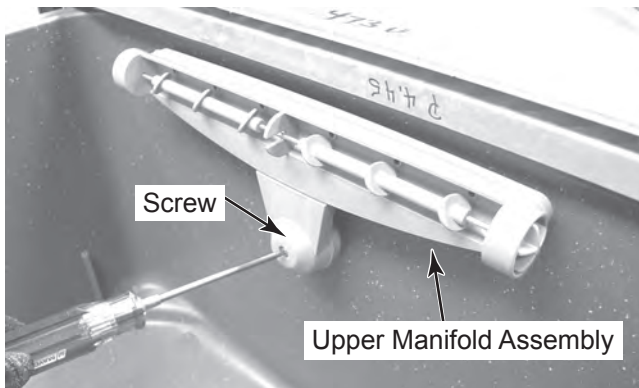
Electrical Shock Hazard

Disconnect power before servicing.

Replace all parts and panels before operating.

Failure to do so can result in death or electrical shock.

1. Unplug dishwasher or disconnect power.
2. Turn off the water supply to the dishwasher.
3. Remove the silverware basket and dish racks.
4. **To remove the upper manifold assembly,** remove the retaining screw from the manifold assembly.
NOTE: There is an O-ring behind the upper manifold assembly on the inlet cap. Be sure that it is properly in place on the cap.
5. **To remove the inlet and outlet bezels,** twist the bezels 1/4-turn counterclockwise.
NOTE: There is a filter behind the outlet bezel (vent). Be sure it is in place before reinstalling the bezel.



TUB BOTTOM COMPONENTS

REMOVING THE TUB



! WARNING

Electrical Shock Hazard

Disconnect power before servicing.

Replace all parts and panels before operating.

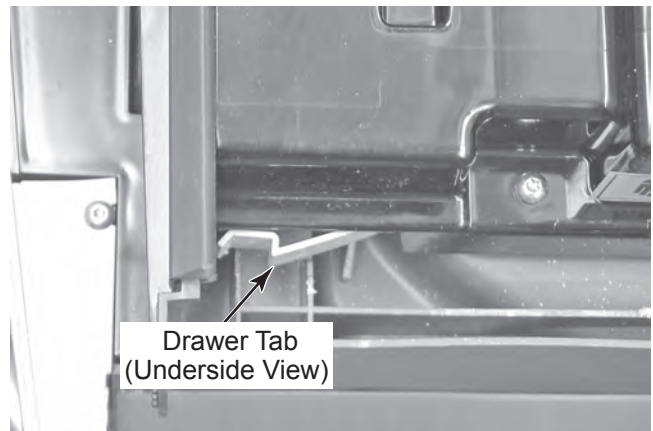
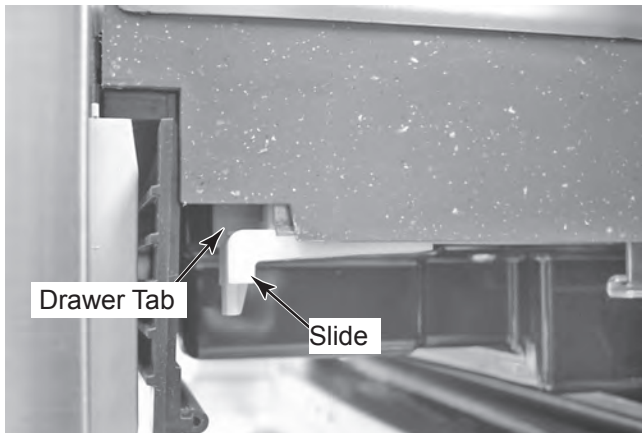
Failure to do so can result in death or electrical shock.

1. Unplug dishwasher or disconnect power.
2. Turn off the water supply to the dishwasher.
3. Empty the tub and lay a protective pad on the floor in front of the dishwasher.

NOTE: There may still be water in the system from the last wash.

4. While pressing in the tab on the side of the drawer bottom, push the slide in at least an inch to disconnect the tub from the slide. Repeat for the other side of the tub.

- NOTE:** The tub is still attached to the unit by the wiring harnesses connected to the back.
5. Lift the tub from the slides and set the tub onto chair with protective pad. You may need to set the tub on something to access the components mounted on the front. Push the slides back into the unit.



REMOVING A PUMP



! WARNING

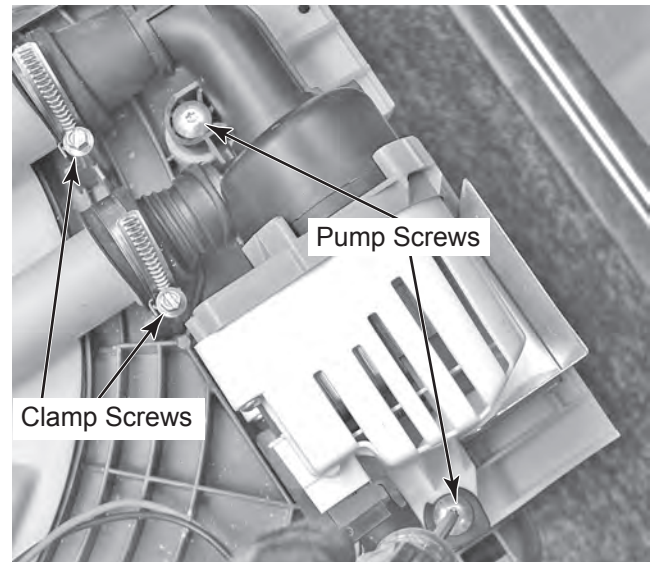
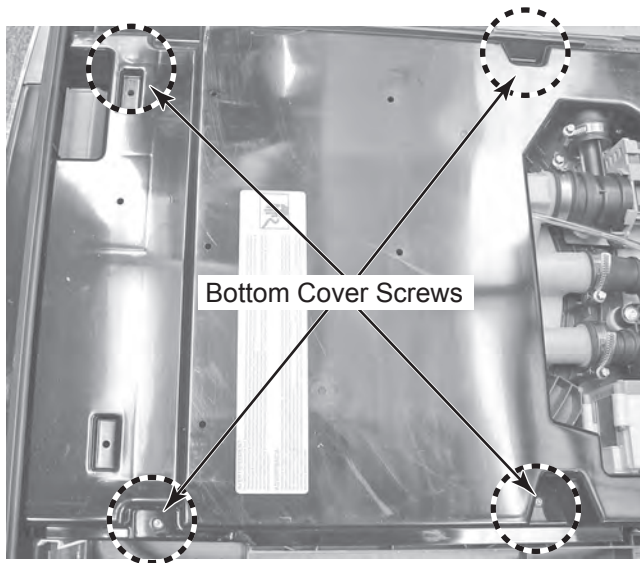
Electrical Shock Hazard

Disconnect power before servicing.

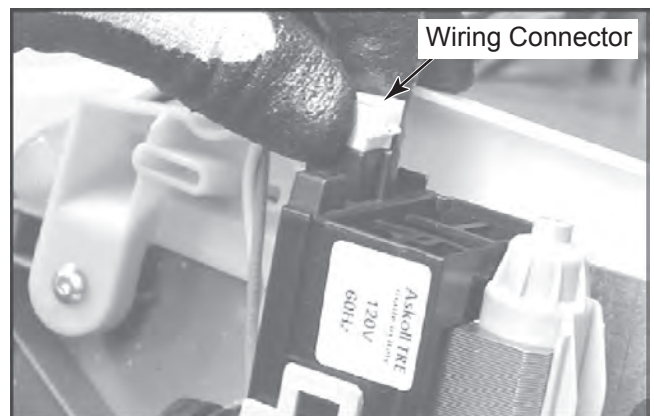
Replace all parts and panels before operating.

Failure to do so can result in death or electrical shock.

1. Unplug dishwasher or disconnect power.
2. Turn off the water supply to the dishwasher.
3. Remove the tub (see "Removing The Tub," page 4-6).
4. Remove the four bottom cover screws and remove the cover.



7. Remove the wiring connector from the pump.



5. Remove the two screws holding the pump to the tub (see the top right photo).
6. Loosen the two hose clamp screws, pull the hoses off, and remove the pump.

REMOVING THE FINE DRAIN COIL AND TURBIDITY SENSOR / THERMISTOR



⚠ WARNING

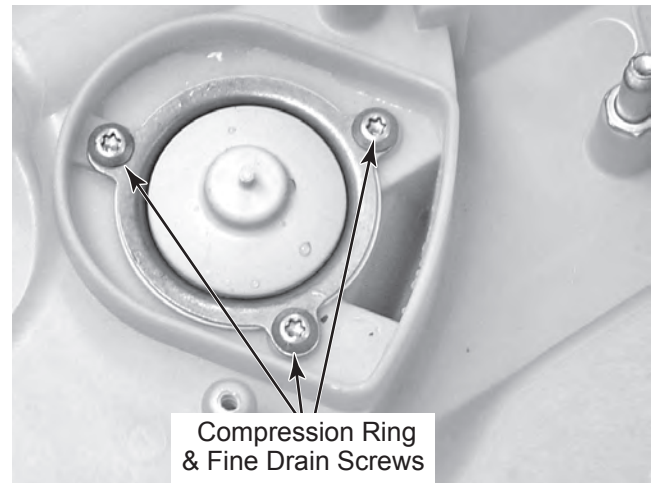
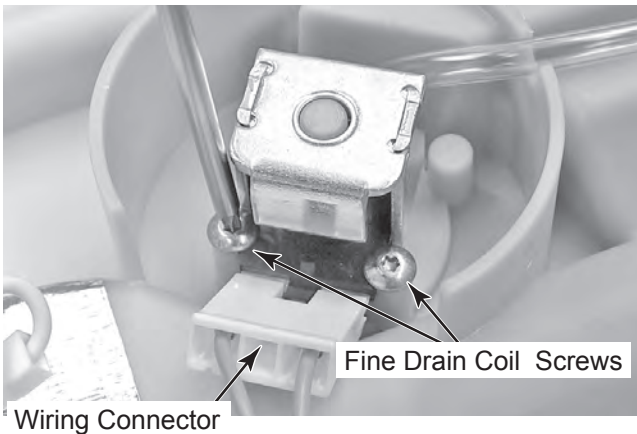
Electrical Shock Hazard

Disconnect power before servicing.

Replace all parts and panels before operating.

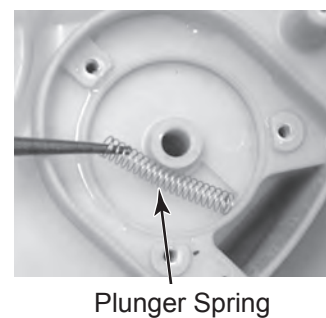
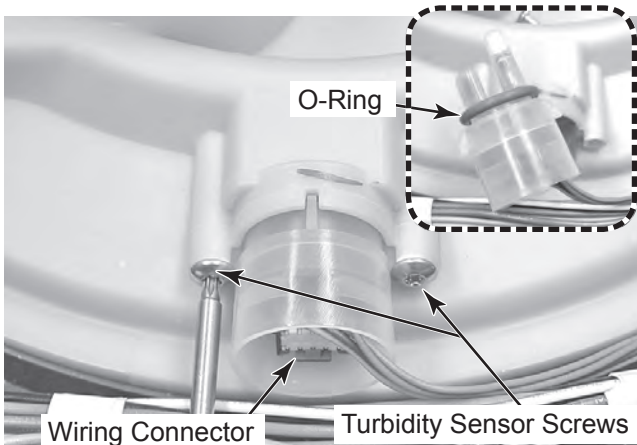
Failure to do so can result in death or electrical shock.

1. Unplug dishwasher or disconnect power.
2. Turn off the water supply to the dishwasher.
3. Remove the tub and bottom cover (see pages 4-6 & 4-7).
4. Disconnect the wiring connector from the fine drain coil, remove the screws, and remove the coil.
6. Access and remove the coarse cup and filter flow plate (see "Removing The Coarse Cup, Wash Arm, And Filter Flow Plate," page 4-4).
7. Remove the screws from the compression ring and fine drain.



5. Disconnect the wiring connector from the turbidity sensor/thermistor, remove the screws, and remove the sensor. **NOTE:** There is an O-ring on the turbidity sensor housing.

8. Remove the fine drain seal and plunger, and the plunger spring. You may need to use a small screwdriver to remove the fine drain spring.



REMOVING THE THERMOSTAT, THERMAL FUSE, AND HEATER



⚠️ WARNING

Electrical Shock Hazard

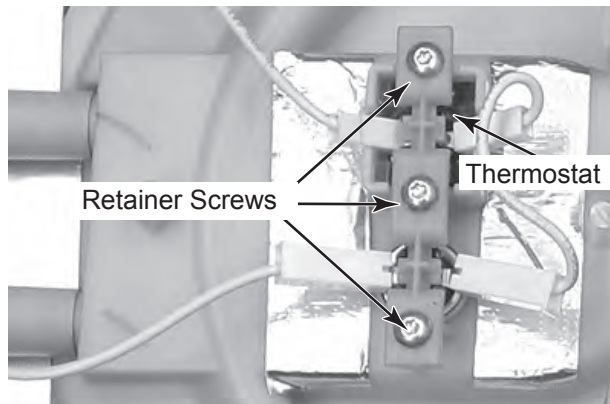
Disconnect power before servicing.

Replace all parts and panels before operating.

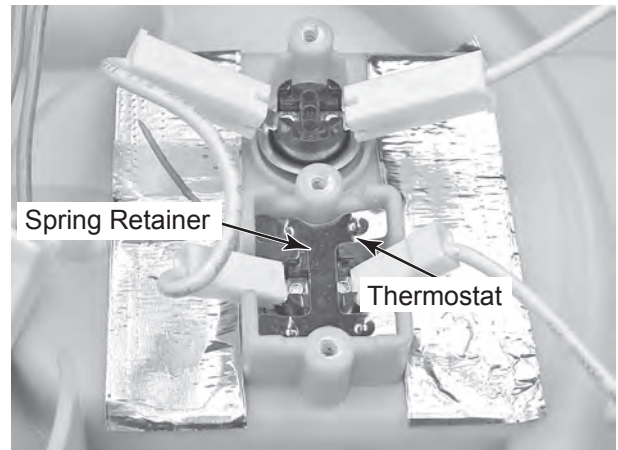
Failure to do so can result in death or electrical shock.

1. Unplug dishwasher or disconnect power.
2. Turn off the water supply to the dishwasher.
3. Access and remove the coarse cup and filter flow plate (see “Removing The Coarse Cup, Wash Arm, And Filter Flow Plate,” page 4-4).
4. Remove the tub and bottom cover (see pages 4-6 & 4-7).
5. **To remove the thermostat and thermal fuse:**

- a) Remove the three retainer screws from the thermostat bracket to remove the thermal fuse and thermostat.

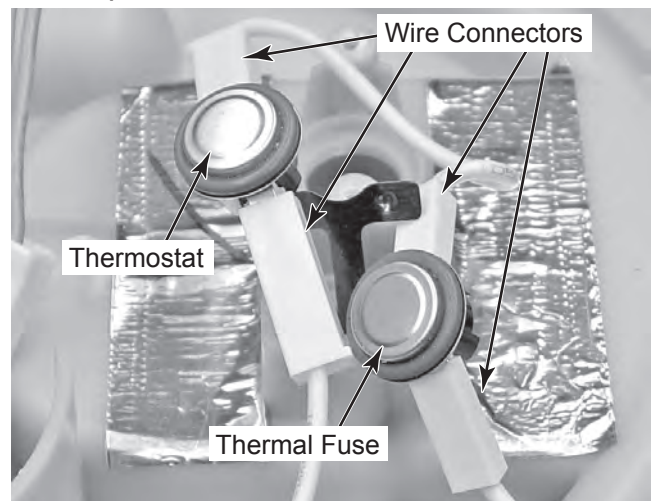


- b) Remove the spring retainer.



- c) Lift the thermostat and thermal fuse out of the holder, and disconnect the wire connectors from the terminals.
NOTE: There are O-rings on the thermostat and thermal fuse.

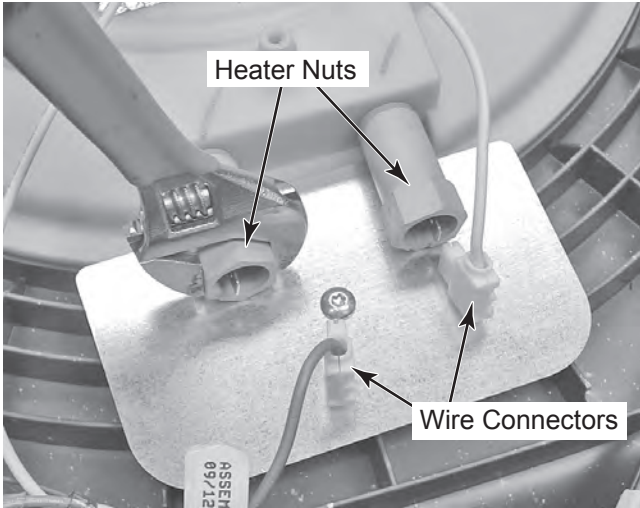
NOTE: The thermostat is in a walled receiver and has an extra spring pressure clip.



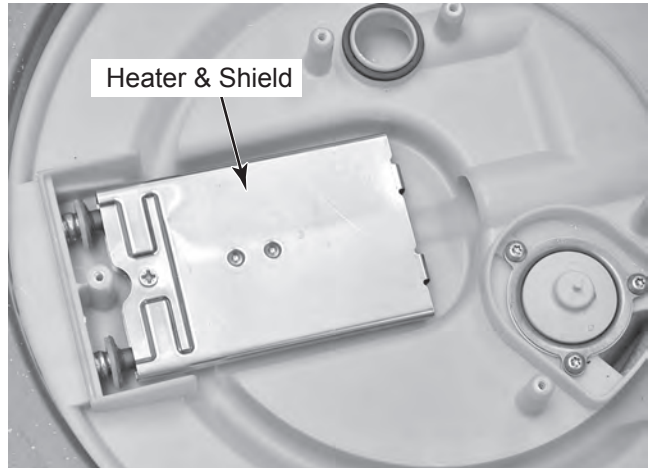
Continued on the next page.

6. **To remove the heater:**

- a) Disconnect the wire connectors from the heater terminals.
- b) Remove the heater nuts.



- c) Position the tub to its upright position.
- d) Lift the heater and shield out of the tub.



REMOVING THE FRONT PANEL, INTERMEDIATE PANEL, AND THE CONTROL HOUSING



! WARNING

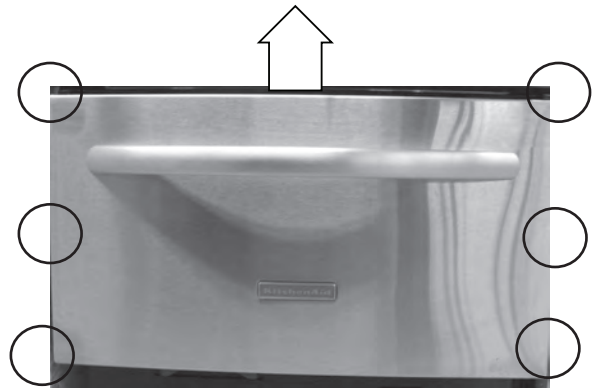
Electrical Shock Hazard

Disconnect power before servicing.

Replace all parts and panels before operating.

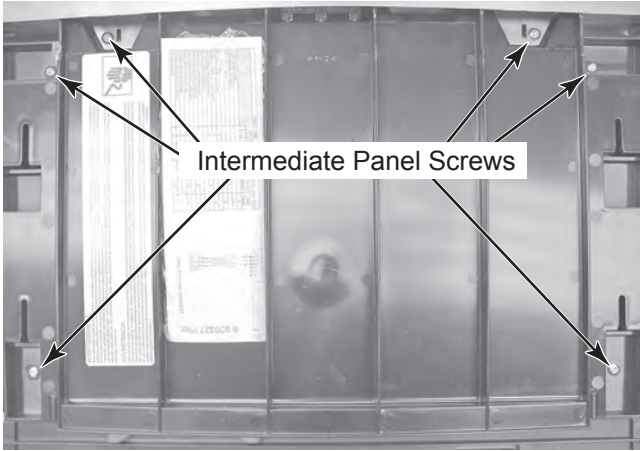
Failure to do so can result in death or electrical shock.

1. Unplug dishwasher or disconnect power.
2. Turn off the water supply to the dishwasher.
3. Remove the tub and bottom cover (see pages 4-6 & 4-7).
4. **To remove the front panel on classic model:**
 - a) Remove the two screws from the underside of the front panel.
 - b) Slide the front panel down and off of the front of the tub.
5. **To remove the front panel on premium model:**
 - a) Remove the six screws from the back sides of the front panel.
 - b) Slide the front panel up and off of the front of the tub.

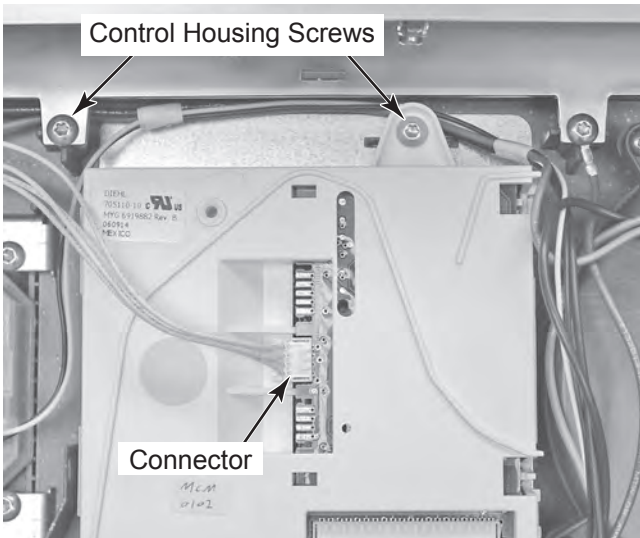


Continued on the next page.

5. To remove the intermediate panel, remove the six screws, and remove the panel.



6. To remove the control housing:
- a) Remove the two screws, and rotate the housing off of the tub front.
 - b) Remove the harness connector from the control housing.



TUB FRONT COMPONENTS

REMOVING THE PRESSURE SWITCH, DETERGENT DISPENSER, MAIN CONTROL MODULE, AND DRY FAN



! WARNING

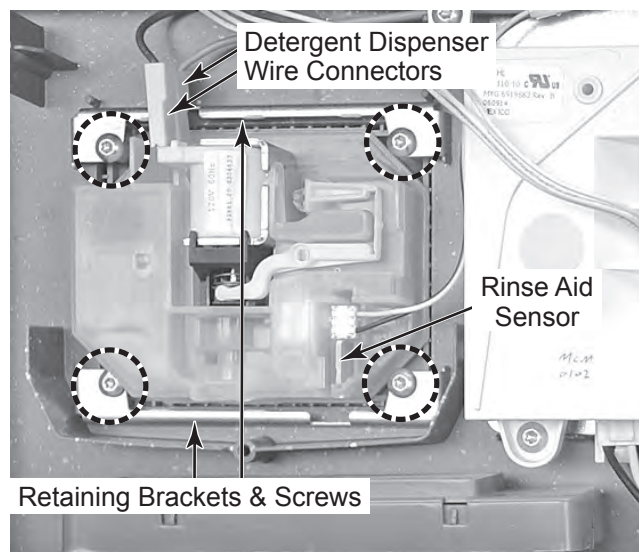
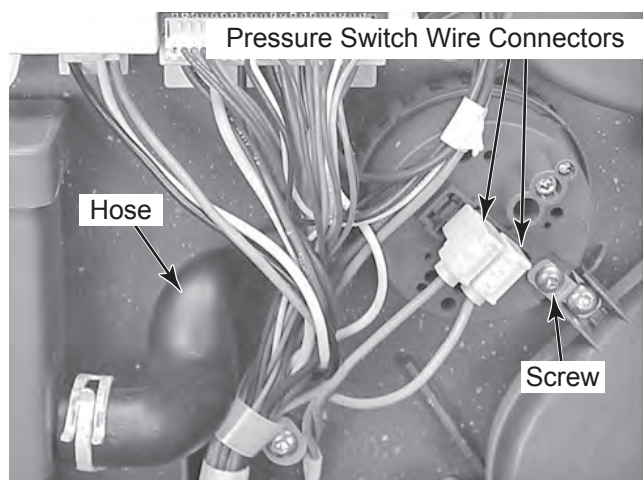
Electrical Shock Hazard

Disconnect power before servicing.

Replace all parts and panels before operating.

Failure to do so can result in death or electrical shock.

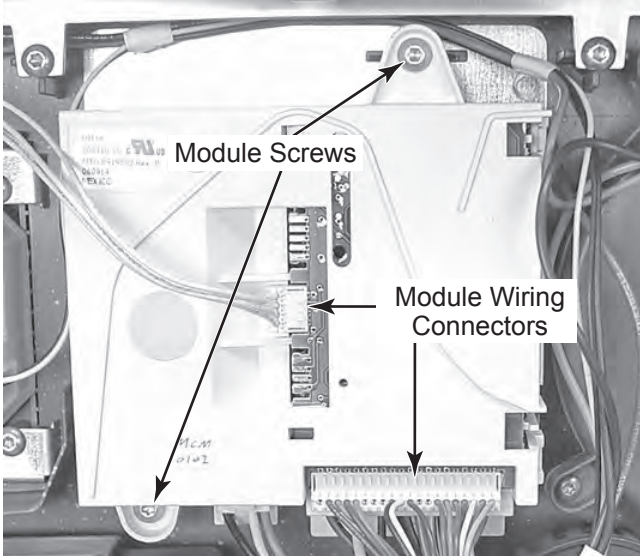
1. Unplug dishwasher or disconnect power.
2. Turn off the water supply to the dishwasher.
3. Remove the tub and bottom cover (see pages 4-6 & 4-7).
4. Remove the front panel, intermediate panel, and control housing (see "Removing The Front Panel, Intermediate Panel, And The Control Housing," page 4-11).
5. Remove the inlet and outlet bezels (see page 4-5).
6. **To remove the pressure switch:**
 - a) Disconnect the wire connectors from the pressure switch terminals.
 - b) Remove the retaining screw from the pressure switch.
 - c) Disconnect the hose clamp and the hose from the pressure switch.
7. **To remove the detergent dispenser:**
 - a) Disconnect the wire connectors from the dispenser solenoid and Rinse Aid sensor.
 - b) Remove the four screws and two retaining brackets from the detergent dispenser, and remove the dispenser.



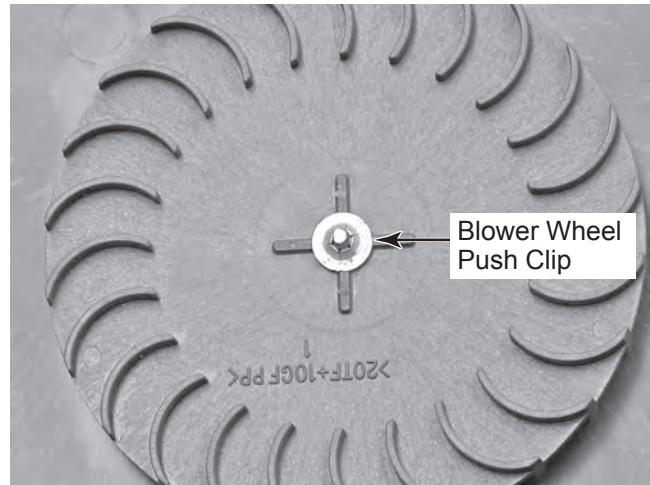
Continued on the next page.

8. **To remove the Main Control Module:**

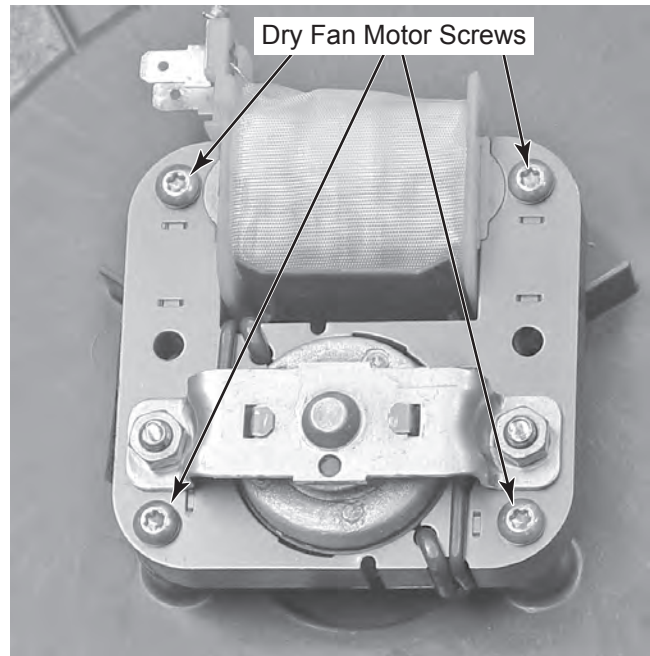
- a) Disconnect the wiring connectors from the module terminals.
- b) Remove the two screws from the module and remove the module.



- c) Remove the push clip from the blower wheel and remove the wheel.

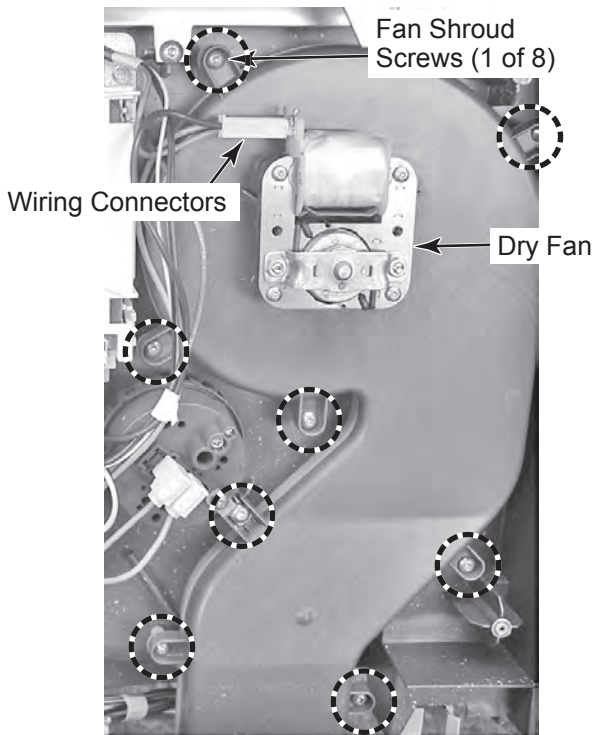


- d) Remove the four screws from the dry fan and remove the fan.



9. **To remove the Dry Fan:**

- a) Disconnect the wiring connectors from the dry fan terminals.
- b) Remove the eight screws from the fan shroud and remove the shroud and dry fan.



CABINET - MOUNTED COMPONENTS

REMOVING THE LINE BREAK, TUB LID, AND SLIDER ASSEMBLIES



! WARNING

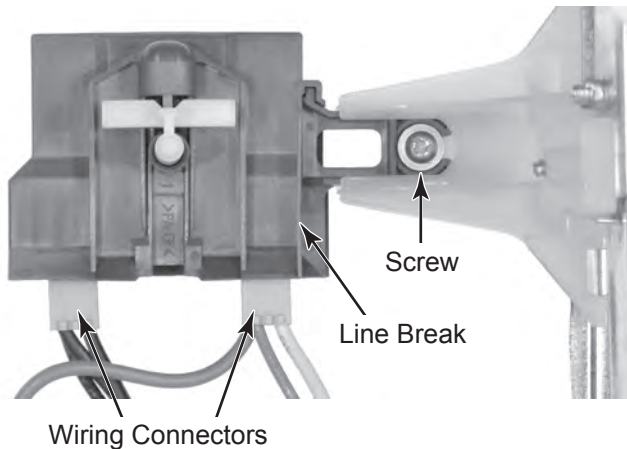
Electrical Shock Hazard

Disconnect power before servicing.

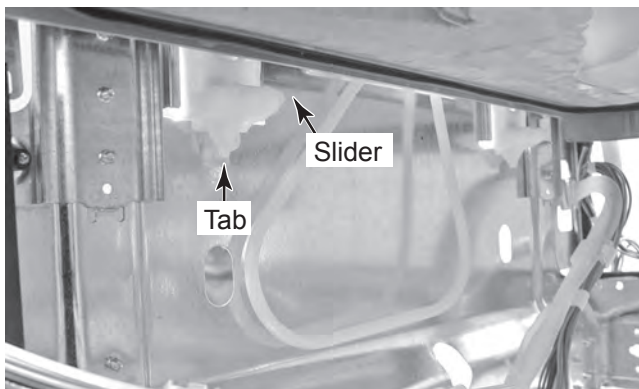
Replace all parts and panels before operating.

Failure to do so can result in death or electrical shock.

1. Unplug dishwasher or disconnect power.
2. Turn off the water supply to the dishwasher.
3. **To remove the line break:**
 - a) Remove the drawer from the unit.
 - b) Disconnect the wiring connectors from the line break terminals.
 - c) Loosen the screw and slide the line break out of the holder.

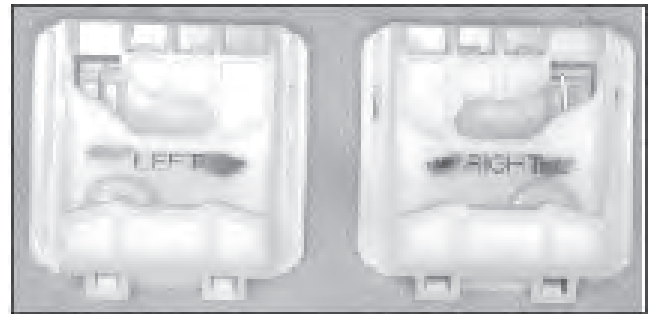


4. **To remove the tub lid and slider assemblies:**
 - a) Lift the tab at the bottom of each slider.

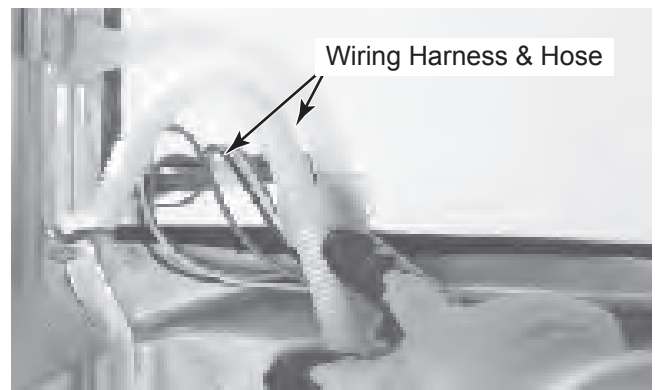


- b) Pull the sliders down to release them and remove the sliders from the cabinet.

NOTE: The left and right lid slider assemblies are marked "LEFT" and "RIGHT."

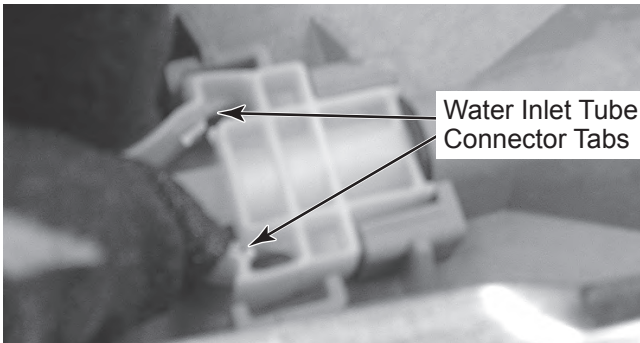


- c) Push the wiring harness and hose assembly back out of the way so that you can lower the left side of the lid assembly.

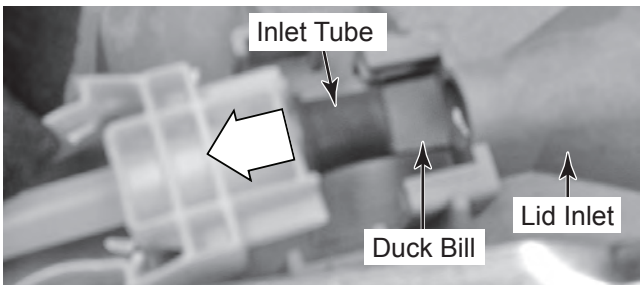


Continued on the next page.

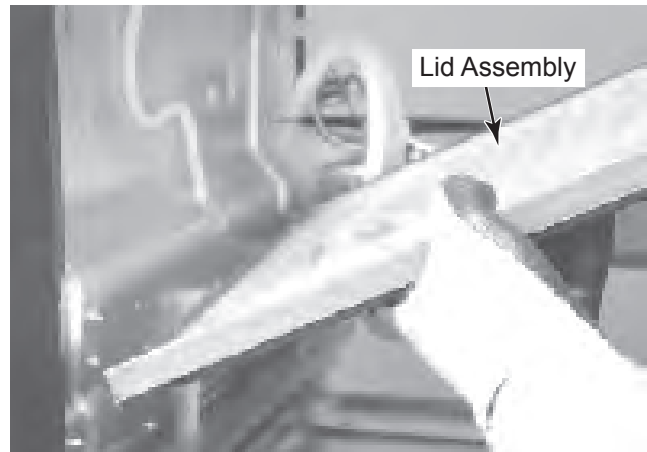
- d) Tilt the lid to the left.
- e) Squeeze the tabs on the water inlet tube connector.



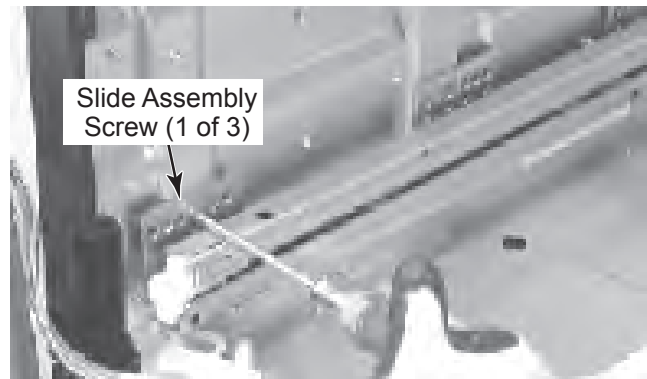
- f) Pull the inlet tube out of the lid inlet.
NOTE: When reinstalling the inlet tube, first install the duck bill into the lid inlet, then install the inlet tube.



- g) Remove the lid assembly from the cabinet.



- h) Remove the three screws from the slide assembly and remove the assembly from the cabinet.



REMOVING THE INLET VALVE / FLOW METER ASSEMBLY



! WARNING

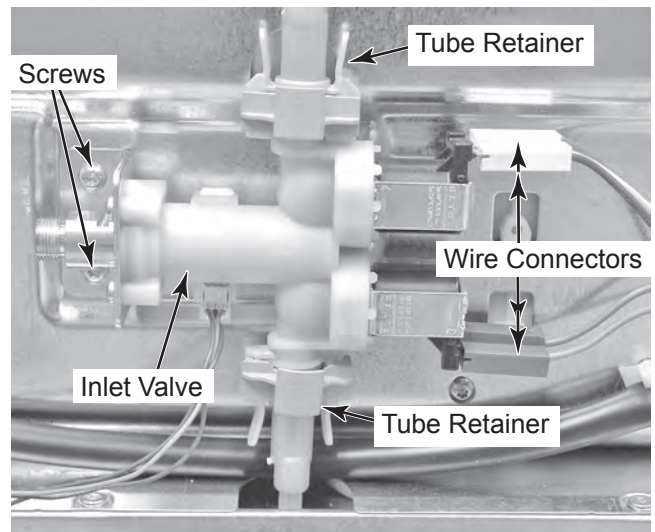
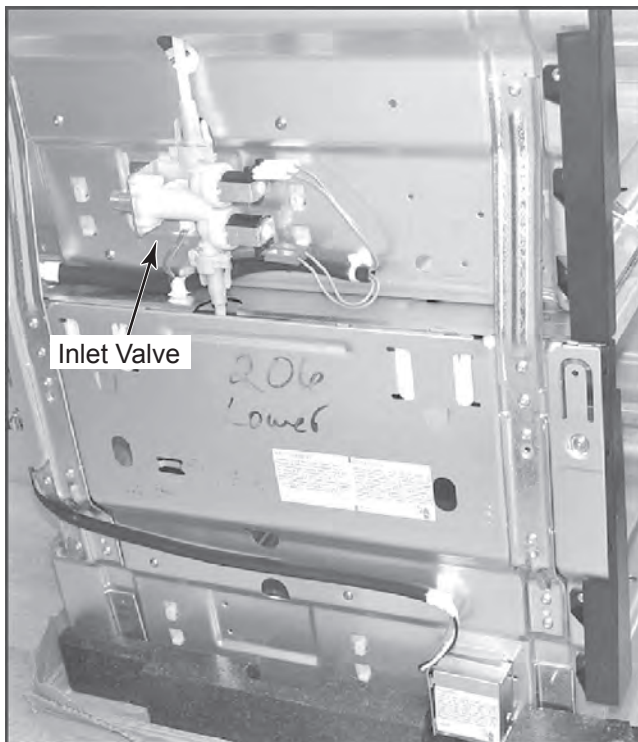
Electrical Shock Hazard

Disconnect power before servicing.

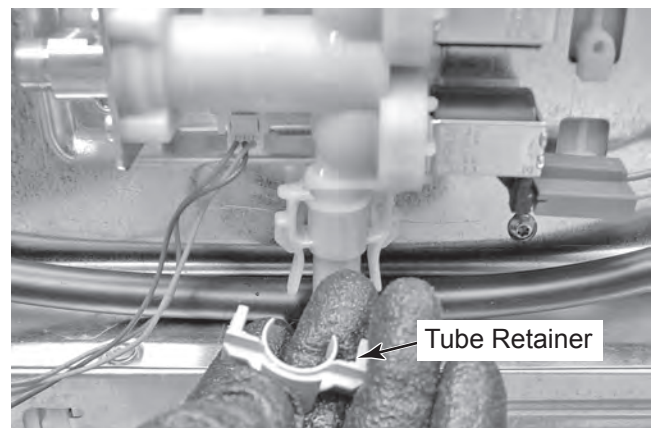
Replace all parts and panels before operating.

Failure to do so can result in death or electrical shock.

1. Unplug dishwasher or disconnect power.
2. Turn off the water supply to the dishwasher.
3. Remove the dishwasher from its installed location.
4. Disconnect the wire connectors from the inlet valve and flow meter terminals.
5. Remove the screws from the inlet valve and remove the valve.



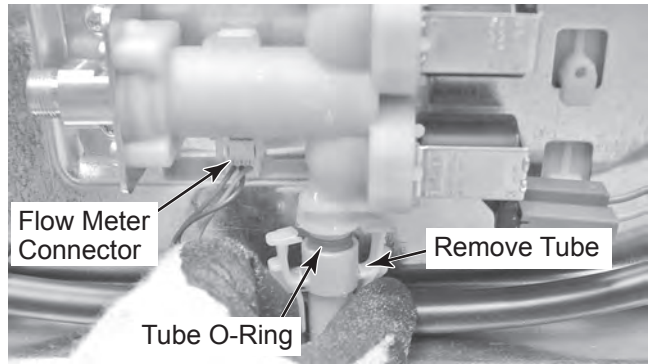
6. Remove the retainers from the tube ends.



Continued on the next page.

7. Squeeze and remove the tube from the valve body. **NOTE:** There is an O-ring and duck bill at the end of the tubes.

NOTE: When reassembling, insert the duck bill into the valve body before installing the tubing.



TOP AND BOTTOM FRAME FACIA REMOVAL



⚠ WARNING

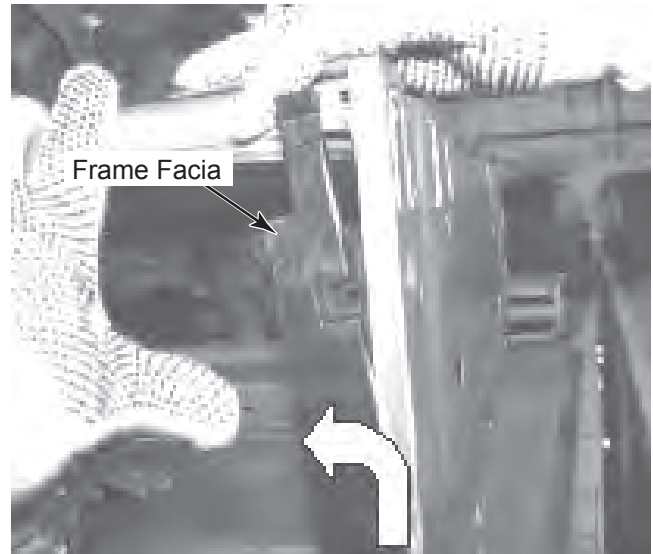
Electrical Shock Hazard

Disconnect power before servicing.

Replace all parts and panels before operating.

Failure to do so can result in death or electrical shock.

1. Unplug dishwasher or disconnect power.
2. Turn off the water supply to the dishwasher.
3. Remove the tub and bottom cover (see pages 4-6 & 4-7).
4. Remove the screw from the frame fascia. Rotate the fascia and remove it from the tub.




— NOTES —

COMPONENT TESTING

DISHWASHER COMPONENTS

Before testing any of the components, perform the following checks:

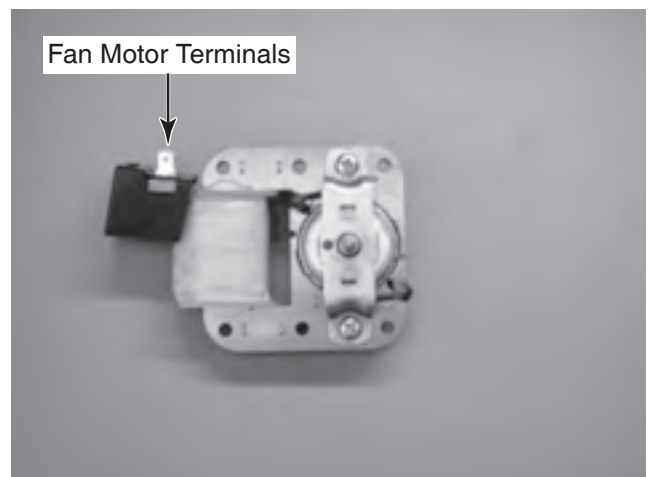
- The most common cause for control failure is corrosion on connectors. Therefore, disconnecting and reconnecting wires will be necessary throughout test procedures.
- All tests/checks should be made with a VOM or DVM having a sensitivity of 20,000 ohms-per-volt DC, or greater.
- Check all connections before replacing components, looking for broken or loose wires, failed terminals, or wires not pressed into connectors far enough.
- Voltage checks must be made with all connectors attached to the boards.
- Resistance checks must be made with power cord unplugged from outlet, and with wiring harness or connectors disconnected.

	! WARNING
	Electrical Shock Hazard Disconnect power before servicing. Replace all parts and panels before operating. Failure to do so can result in death or electrical shock.

FAN MOTOR

Refer to page 4-13 for procedure for servicing the fan motor.

1. Unplug dishwasher or disconnect power.
2. Disconnect the wire connectors from the FAN MOTOR terminals on fan motor.
3. Set the ohmmeter to the R x 1 scale.
4. Touch the ohmmeter test leads to fan motor terminals. The meter should indicate approximately 79 Ω .



⚠ WARNING

Electrical Shock Hazard

Disconnect power before servicing.
Replace all parts and panels before operating.
Failure to do so can result in death or electrical shock.



DETERGENT AND RINSE AID DISPENSER

Refer to page 4-12 for procedure for servicing the detergent and Rinse Aid dispenser.

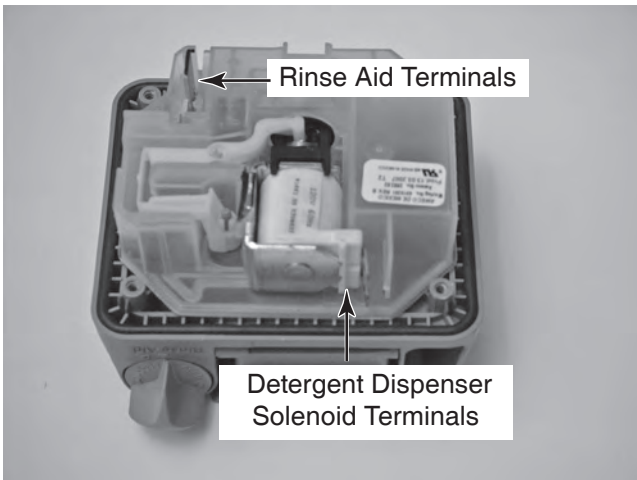
1. Unplug dishwasher or disconnect power.
2. Disconnect the wire connectors from the DISPENSER on dispenser.
3. Set the ohmmeter to the R x 1 scale.
4. Touch the ohmmeter test leads to detergent dispenser solenoid terminals. The meter should indicate approximately 2.84 k Ω .

Note: There is no test for Rinse Aid Dispenser.

WASH PUMP MOTOR

Refer to page 4-7 for procedure for servicing the wash pump motor.

1. Unplug dishwasher or disconnect power.
2. Disconnect the wire connectors from the WASH PUMP MOTOR terminals on wash pump motor.
3. Set the ohmmeter to the R x 1 scale.
4. Touch the ohmmeter test leads to detergent wash pump motor terminals. The meter should indicate open circuit because of the control board on motor.





⚠ WARNING

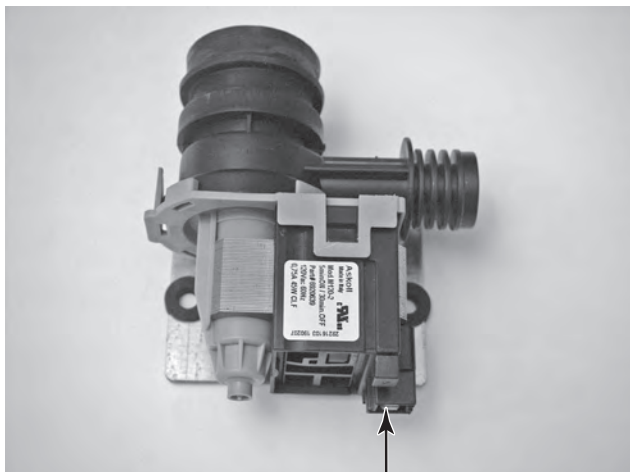
Electrical Shock Hazard

Disconnect power before servicing.
Replace all parts and panels before operating.
Failure to do so can result in death or electrical shock.

DRAIN PUMP MOTOR

Refer to page 4-7 for procedure for servicing the drain pump motor.

1. Unplug dishwasher or disconnect power.
2. Disconnect the wire connectors from the DRAIN PUMP MOTOR terminals on drain pump motor.
3. Set the ohmmeter to the R x 1 scale.
4. Touch the ohmmeter test leads to drain pump motor terminals. The meter should indicate between 23 and 32 Ω .

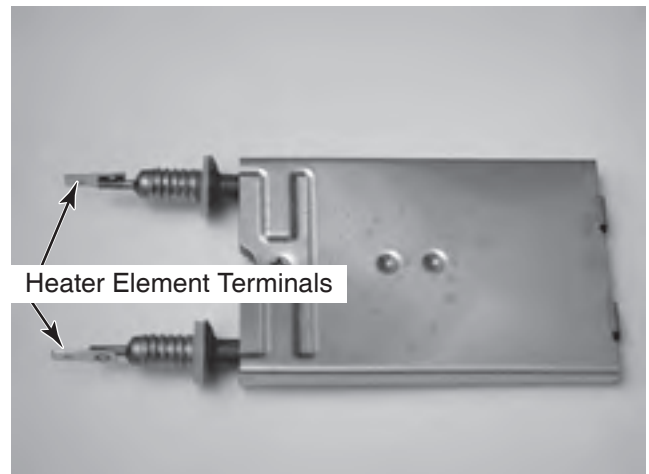


Drain Motor Terminals

HEATING ELEMENT

Refer to page 4-10 for procedure for servicing the heating element.

1. Unplug dishwasher or disconnect power.
2. Disconnect the wire connectors from the HEATING ELEMENT terminals on heating element.
3. Set the ohmmeter to the R x 1 scale.
4. Touch the ohmmeter test leads to heating element terminals. The meter should indicate approximately 25.4 Ω .



! WARNING



Electrical Shock Hazard

Disconnect power before servicing.
Replace all parts and panels before operating.
Failure to do so can result in death or electrical shock.

Drain Solenoid

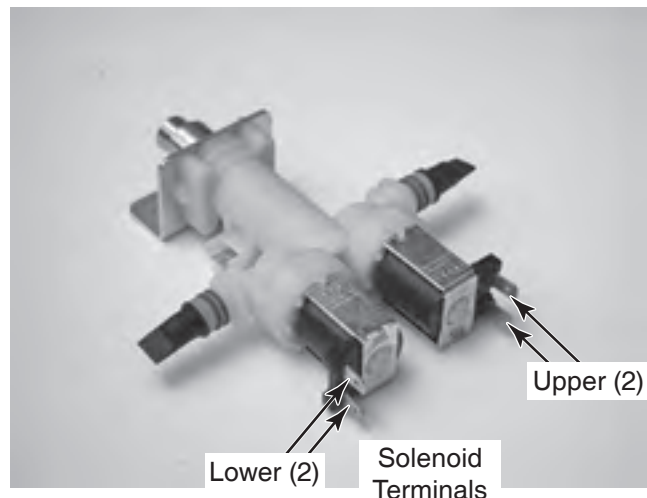
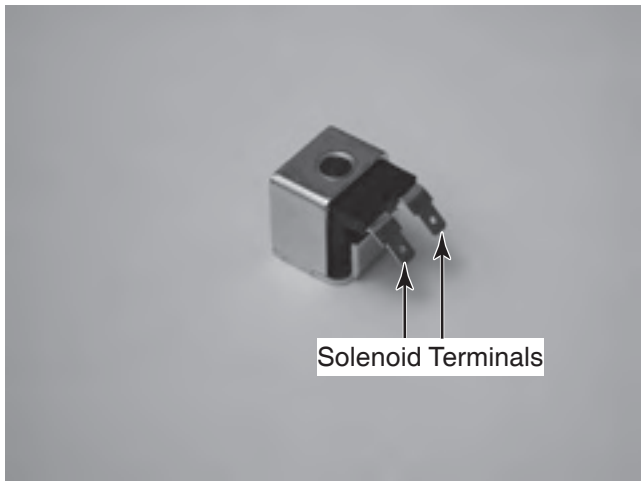
Refer to page 4-8 for procedure for servicing the drain solenoid.

1. Unplug dishwasher or disconnect power.
2. Disconnect the wire connectors from the DRAIN solenoid terminals on drain solenoid. Set the ohmmeter to the R x 1 scale.
4. Touch the ohmmeter test leads to drain solenoid terminals. The meter should indicate approximately 19Ω .

INLET FILL VALVE

Refer to page 4-16 for procedure for servicing the inlet fill valve.

1. Unplug dishwasher or disconnect power.
2. Disconnect the wire connectors from the upper and lower Inlet fill solenoid terminals. Set the ohmmeter to the R x 1 scale.
4. Touch the ohmmeter test leads to the upper and lower Inlet fill solenoid terminals. The meter should indicate approximately $1.1k\Omega$.



⚠ WARNING



Electrical Shock Hazard

**Disconnect power before servicing.
Replace all parts and panels before operating.
Failure to do so can result in death or electrical shock.**

LIMIT THERMOSTAT

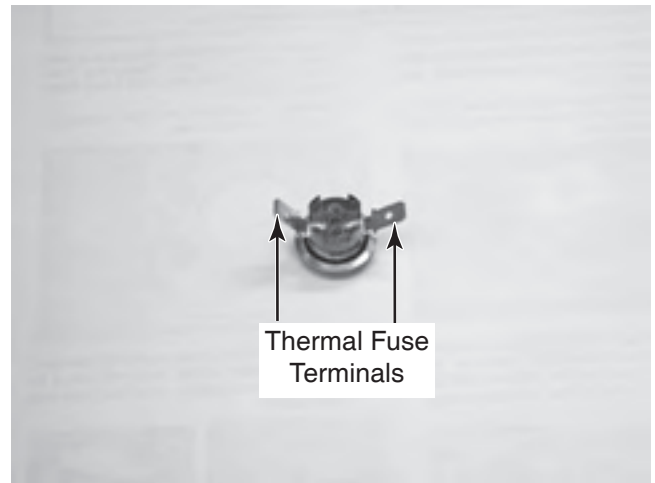
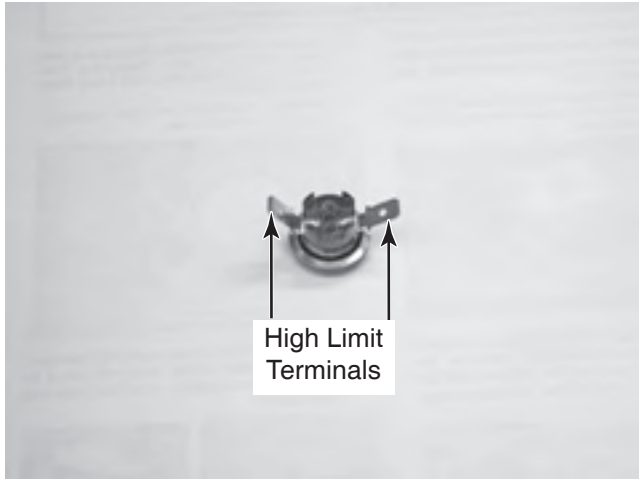
Refer to page 4-9 for procedure for servicing the limit thermostat.

1. Unplug dishwasher or disconnect power.
2. Disconnect the wire connectors from the limit thermostat terminals. Set the ohmmeter to the R x 1 scale.
4. Touch the ohmmeter test leads to the limit thermostat terminals. The meter should indicate continuity @ 149°F (65°C) and open @ 170°F (76.7°C)

THERMAL FUSE

Refer to page 4-9 for procedure for servicing the thermal fuse.

1. Unplug dishwasher or disconnect power.
2. Disconnect the wire connectors from the thermal fuse terminals. Set the ohmmeter to the R x 1 scale.
4. Touch the ohmmeter test leads to the thermal fuse terminals. The meter should indicate open @ 190°F (87.7°C)



— NOTES —

DIAGNOSTICS & TROUBLESHOOTING

DIAGNOSTICS

Manual Function Test

A Manual Function test may be started by pressing the High Temp Wash key 5 times followed by the Start key within 8 seconds.

The High Temp Wash LED will flash 3 times indicating manual test mode is active. Specific keypads will turn on or off a component as follows:

KEY	LOAD	LED
High Temp Wash	Wash Motor	High Temp Wash
Delay	Water Inlet Valve	Delay 2
Sensor Dry/Lock	Heating Element	Easy Dry/Lock
Cycle Select / Normal		
First Press	Dry Fan	Heavy Wash/Anti Bacterial
Second Press	Dispenser	Normal Wash
Third Press	Drain Pump	China Crystal
Start	Fine Drain Solenoid	Start

The test will cancel 120 seconds after the load is selected. To cancel test, press the Cancel keypad.

Note: The heater will not activate unless the wash pump is activated.

Diagnostic Tips

To check control, LED's and components, enter Field Service Test. If control fails to perform sequence as described in the Field Service Test. If a load component failure has been diagnosed, proceed to the Manual Function Test. Follow test procedures as described. Repair or replace components as needed.

Note: A wash current sense error may be detected during the wash cycle selected by a consumer. If this happens, the control will go into an auto restart mode and shutdown if the unit is not able to restart the motor.

If a memory corruption is detected during a running cycle, the cycle will be stopped and the associated fault code will be displayed.

Field Service Test

A Field Service Test may be started by pressing the High Temp Wash key 6 times followed by the Start key within 8 seconds. This test must be performed with clean water to insure proper sensor performance.

SECONDS	FUNCTIONS / ACTIVE LOADS
Variable	Water Valve
10	Thermistor check / Turbidity Sensor check & calibration - no loads active.
120	Wash Motor / Open Dispenser Cup
180	Wash Motor / Heater
10	Drain Pump / Wash Motor / Fine Drain Solenoid
70	Drain Pump / Drain Solenoid
30	Drain Pump
60	Dry Fan

The Field Service Test will not repeat. The Heavy Wash / Anti Bacterial LED will flash during the test mode. All indicator lights (except Heavy Wash / Anti Bacterial) will illuminate. If the dishwasher door is opened during the test, the test sequence will pause, and resume when the door is closed. To cancel the test, press the Cancel keypad.

The control has been designed to test Sensors, Memory, and Loads. During the Field Service Test, if a fault has been detected, the test will abort. A Memory / Software Check will occur immediately after the test is started. If an error is detected, the Cancel LED will flash with a fault code per the Fault Code Table. If multiple errors have been detected they will be shown one at a time.

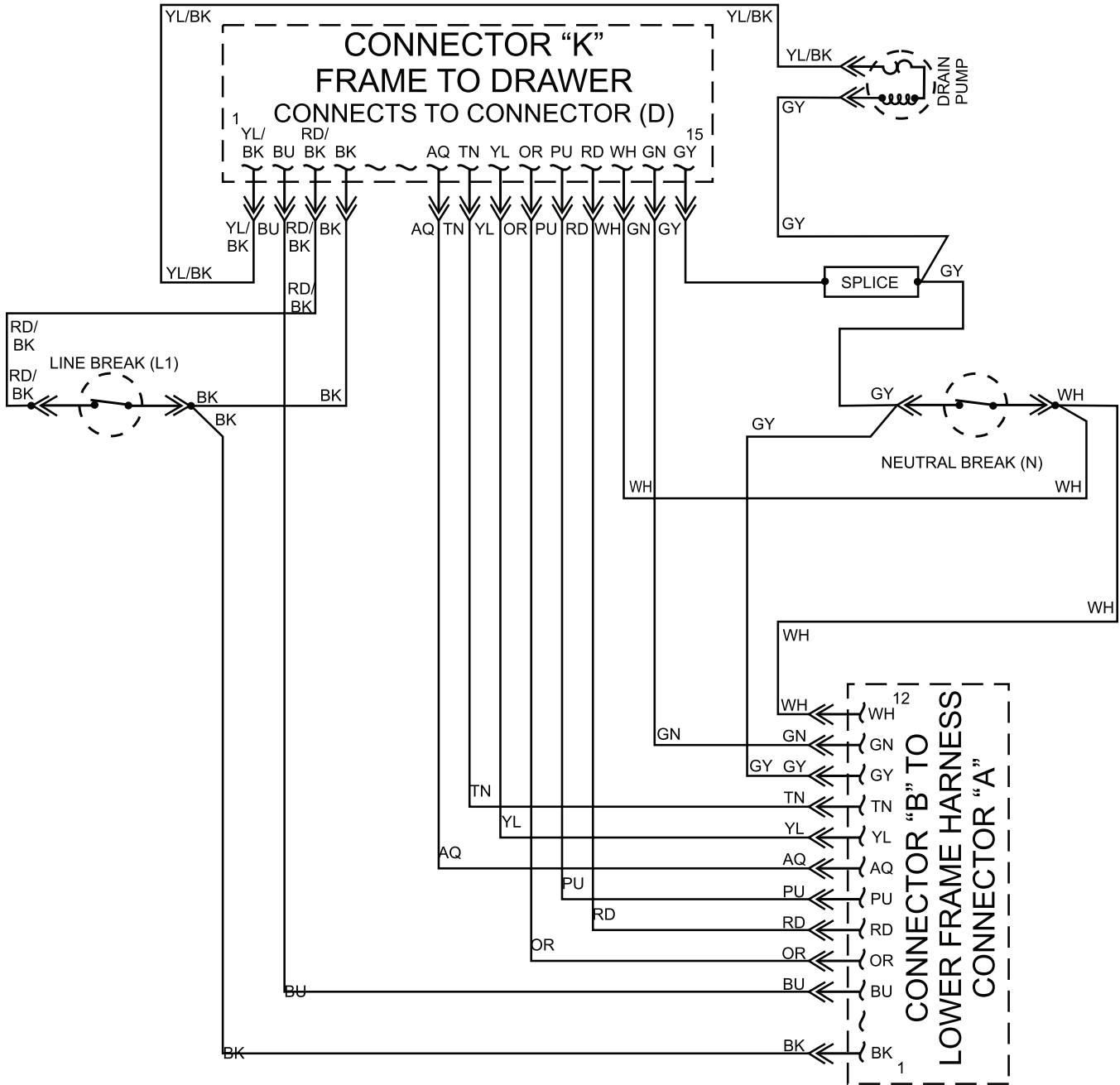
- Errors flash 2 seconds ON, 0.5 seconds OFF
- Any key press will exit the Error Display Mode
- All errors are cleared after exiting the Error Display Mode

Continued on the next page.

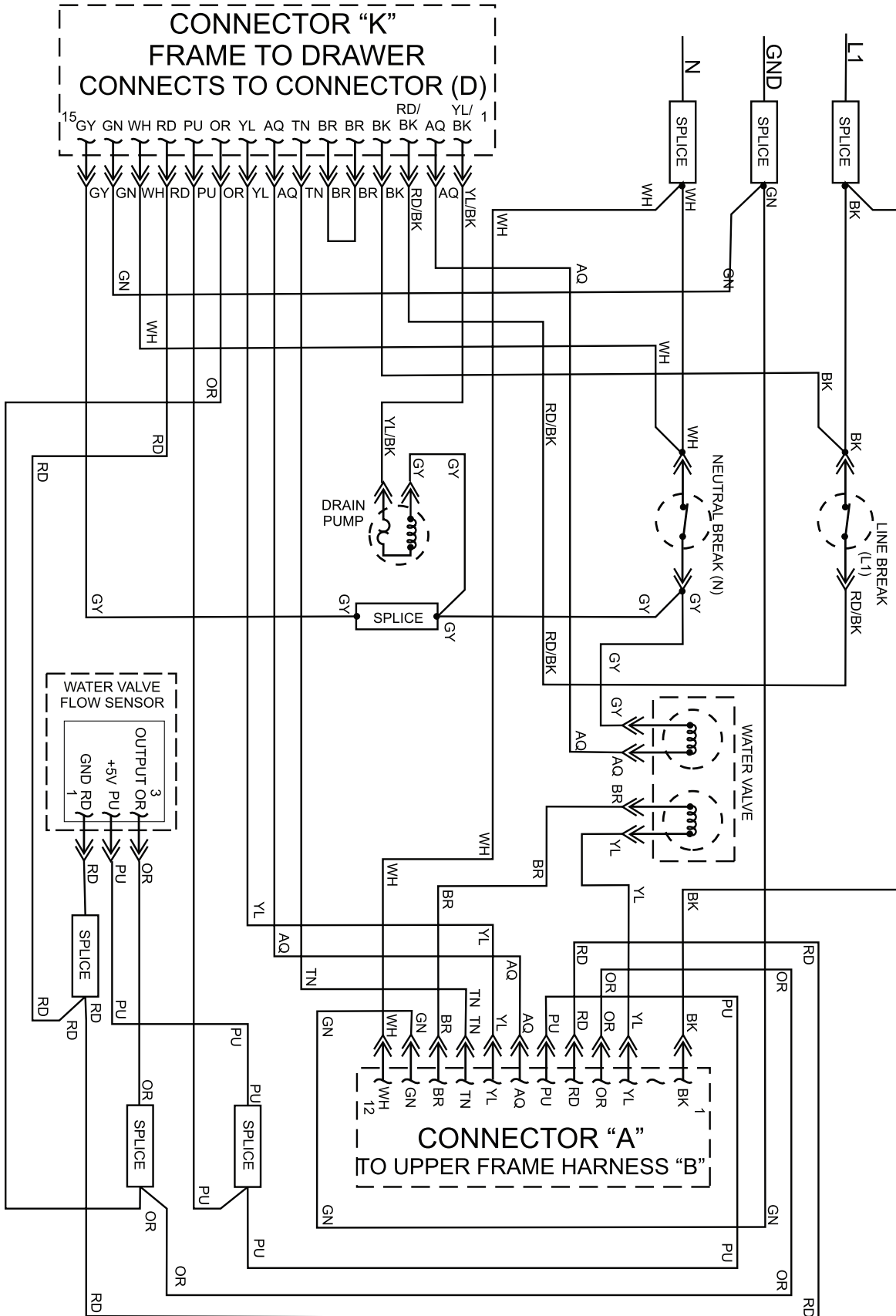
Fault Codes

FAULT CODE					
	Anti-Bacterial / Heavy	Normal Wash	China Gentle	Quick Wash	Quick Rinse
Main Control Board General Failure					X
Main Control Board Memory Corruption			X		X
User Interface General Failure		X		X	
User Interface stuck key		X		X	X
Dispenser current sense error	X				
Water inlet valve current sense error	X				X
Wash pump current sense error	X			X	
Dry fan current sense error	X		X		
Drain pump current sense error	X		X		X
Wash heater current sense error	X		X	X	X
Drain solenoid current sense error	X	X			
Wash thermistor out of range	X	X		X	X
Turbidity sensor out of range	X	X	X		
Turbidity sensor failed to calibrate	X	X	X		X
Fill sensing error	X	X	X	X	X

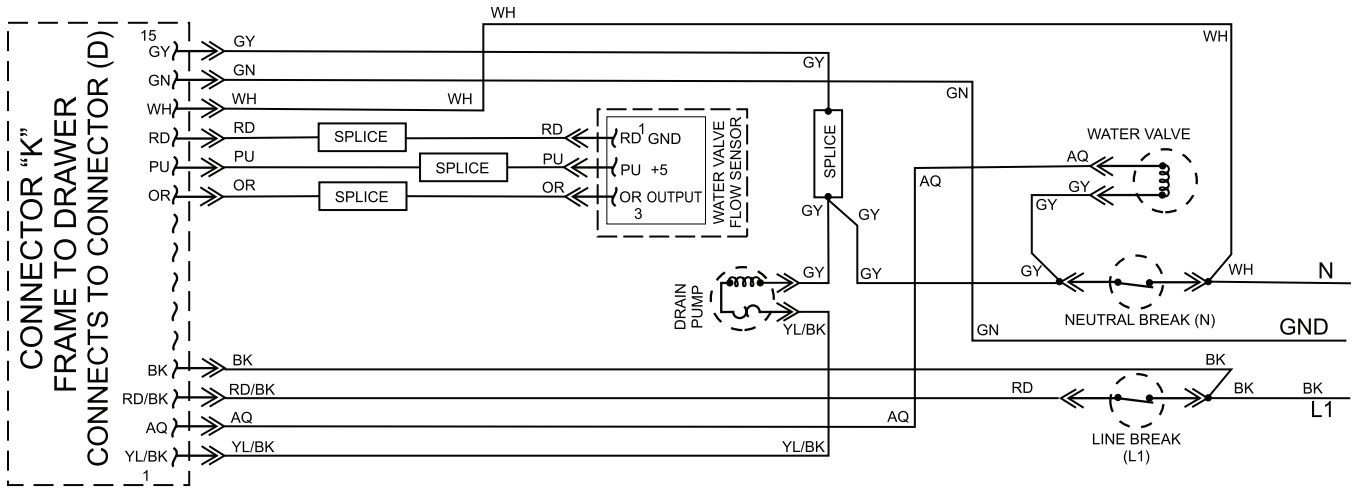
UPPER FRAME HARNESS



LOWER FRAME HARNESS



SINGLE FRAME HARNESS



PRODUCT SPECIFICATIONS AND WARRANTY INFORMATION SOURCES

IN THE UNITED STATES:

FOR PRODUCT SPECIFICATIONS AND WARRANTY INFORMATION CALL:

FOR WHIRLPOOL PRODUCTS: 1-800-253-1301
FOR KITCHENAID PRODUCTS: 1-800-422-1230
FOR ROPER PRODUCTS: 1-800-447-6737

FOR TECHNICAL ASSISTANCE WHILE AT THE CUSTOMER'S HOME CALL:

THE TECHNICAL ASSISTANCE LINE: 1-800-832-7174

**HAVE YOUR STORE NUMBER READY TO IDENTIFY YOU AS AN
AUTHORIZED IN-HOME SERVICE PROFESSIONAL**

FOR LITERATURE ORDERS:

PHONE: 1-800-851-4605

FOR TECHNICAL INFORMATION AND SERVICE POINTERS:

www.servicematters.com

IN CANADA:

FOR PRODUCT SPECIFICATIONS AND WARRANTY INFORMATION CALL:

1-800-461-5681

FOR TECHNICAL ASSISTANCE WHILE AT THE CUSTOMER'S HOME CALL:

THE TECHNICAL ASSISTANCE LINE: 1-800-488-4791

**HAVE YOUR STORE NUMBER READY TO IDENTIFY YOU AS AN
AUTHORIZED IN-HOME SERVICE PROFESSIONAL**

KitchenAid®
FOR THE WAY IT'S MADE.®

