

SEARS

3EPT. 731A

TECHNICAL FLASH

**DISTRICT MANAGER
CENTRAL MANAGER
BRANCH MANAGER
CALL CENTRE MANAGER
PARTS MANAGER**

**T. F. 46-106
JUNE 2004**

CLAUDE BABINEAU- DEPARTMENT 731A

DIVISION 46

SOURCE C978

SERVICE MANUAL

DIVISION 46

G.E.

REFRIGERATORS

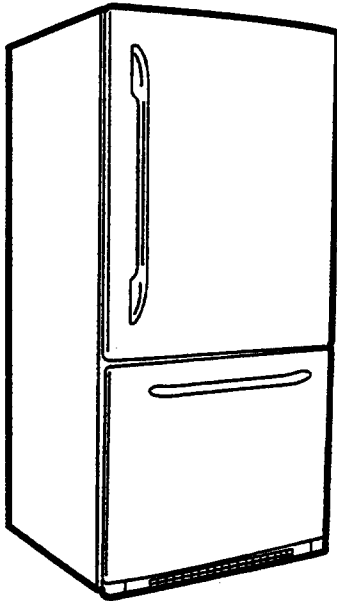
2003 ELECTRONIC BOTTOM-MOUNT



GE Consumer & Industrial

TECHNICAL SERVICE GUIDE

2003 Electronic Bottom-Mount Refrigerators



MODEL SERIES:

GBS22__P

GBS20__P

PDS22__P

PDS20__P



IMPORTANT SAFETY NOTICE

The information in this service guide is intended for use by individuals possessing adequate backgrounds of electrical, electronic, and mechanical experience. Any attempt to repair a major appliance may result in personal injury and property damage. The manufacturer or seller cannot be responsible for the interpretation of this information, nor can it assume any liability in connection with its use.

WARNING

To avoid personal injury, disconnect power before servicing this product. If electrical power is required for diagnosis or test purposes, disconnect the power immediately after performing the necessary checks.

RECONNECT ALL GROUNDING DEVICES

If grounding wires, screws, straps, clips, nuts, or washers used to complete a path to ground are removed for service, they must be returned to their original position and properly fastened.

GE Consumer & Industrial
Technical Service Guide
Copyright © 2004

All rights reserved. This service guide may not be reproduced in whole or in part in any form without written permission from the General Electric Company.

Table of Contents

Airflow (<i>Cabinet Interior</i>)	6
Air Flow Tower and Damper	11
Component Locator Views	9
Components	10
Control Diagnostics	18
Control Features	8
Diagnostics Chart	19
Doors	4
Door Gaskets	17
Door Handles	4
Electronic Control Panel	8
Evaporator Fan	13
Evaporator Thermistor	13
Evaporator Thermostat	14
Freezer Drawer and Slides	16
Fresh Food and Freezer Thermistors	12
Fresh Food and Freezer Light Thermostats	15
Icemaker Ready Models	12
Illustrated Parts Catalog	24
Installation	4
Knob (<i>Encoder</i>)	10
Knob (<i>Encoder</i>) Control Panel	8
Nomenclature	7
Schematics	22
Strip Circuits	20
Technical Data	6
Troubleshooting	18
Warranty	30
Water Filter	11

Installation

Doors

The swing direction of the fresh food door and the freezer door can be reversed on all models except stainless steel.

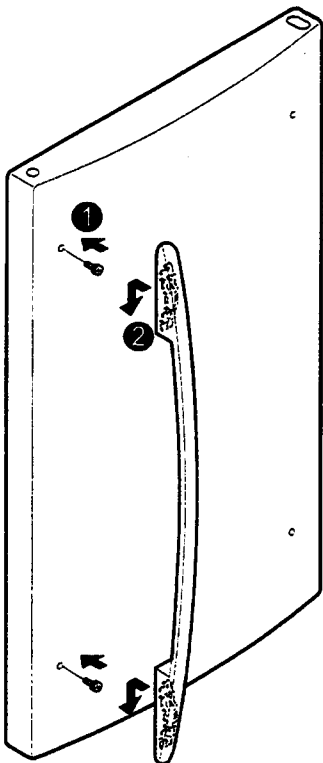
Stainless steel models must be ordered as left or right door swing.

Door Handles

Removal and Replacement

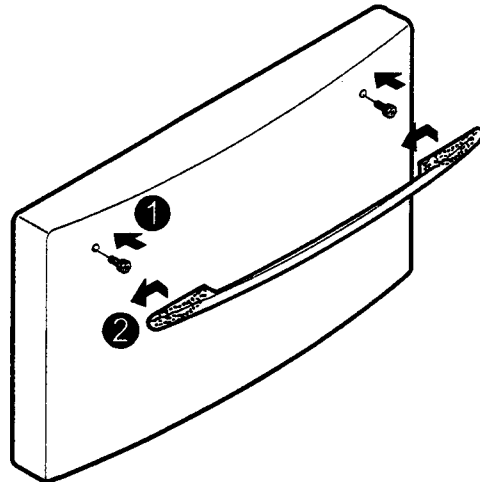
Fresh Food Door

1. Lift the fresh food compartment door handle firmly upward and off of the 2 door mounting screws.
2. Reverse the above procedure to reinstall.



Freezer Door

1. Install 2 door mounting screws on the freezer compartment door.
2. Insert the door handle onto the door mount screws and pull the handle firmly to the left.

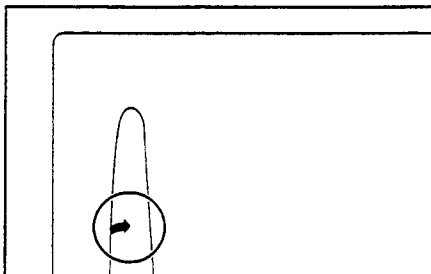
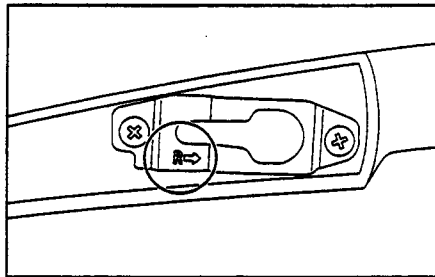


Note: The door handle can be installed incorrectly. Make sure the handle is curved upward and is locked in place. A properly installed handle will be centered on the door.

Note: The door handle can be installed incorrectly. Make sure the curved side of the handle is toward the outside edge of the door.

Troubleshooting Tips - Handle Installation

Problem	Possible Causes	What To Do
Handle too hard to install/Handle requires excessive force to install	Mounting bolts too tight.	Remove the handle. Loosen the mounting bolts slightly so that the handle will snap into place when installed.
	Defective mounting bracket or bolts.	Remove handle. Check for defective mounting brackets or bolts. If defective, replace. Install handle according to Installation Instructions.
Loose handle/Handle makes rattling noise at attachment	Loose mounting bolts.	If the handle installs properly (slides on and locks/snaps into place) but is loose, remove the handle and tighten the mounting bolts. Use a 10mm socket and ratchet or wrench. Do not use a screwdriver as it will not provide enough torque for proper tightening. Reinstall handle according to Installation Instructions included with the handle.
	Freezer handle is installed backwards.	Remove handle. Check for correct mounting brackets on the handle. There is a right bracket (R) and a left bracket (L). The handle has the word "RIGHT" printed in the bracket cavity. The "R" bracket should be installed in the bracket cavity marked "RIGHT". The "L" bracket should be installed on the opposite side. Reinstall handle according to Installation Instructions.
Fresh Food handle is mounted upside down or incorrectly relative to the curve of the Fresh Food door.	Make certain that the arrow label on the handle is pointing at the center of the unit. To verify, the handle should look straight from a distance (not slanted to the side).	



Technical Data

ELECTRICAL SPECIFICATIONS

Temperature Control (Position 5).....	32 - 4°F
Defrost Control... 60 hrs @ 40 mins with no door opening	
Overtemperature Thermostat.....	140 - 110°F
Defrost Thermistor.....	70°F
Electrical Rating: 115V. AC, 60 Hz.....	1 - 5 Amp.
Maximum Current Leakage.....	0.5 mA
Maximum Ground Path Resistance.....	0.14 Ohms
Energy Consumption.....	507 kWh/yr for 20 cu/ft models
Energy Consumption.....	520 kWh/yr for 22 cu/ft models

NO LOAD PERFORMANCE

Control Position: 5-5

And Ambient of:.....	90°F
Fresh Food, °F.....	32 - 42
Frozen Food, °F.....	-5 - 5
Percent Running Time.....	45 - 65

REFRIGERATION SYSTEM

Minimum Compressor Capacity Vacuum.....	22 in.
Minimum Equalized Pressure	
@ 70°F	38 PSIG
@ 90°F.....	49 PSIG
Refrigerant - R - 134a.....	4.06 oz.
Compressor	690 BTU/hr

INSTALLATION

Clearance must be provided at top, sides and rear of the refrigerator for air circulation.

AT TOP.....	1 inch
AT SIDES.....	0.125 inch
AT REAR.....	1 inch

Airflow (Cabinet Interior)

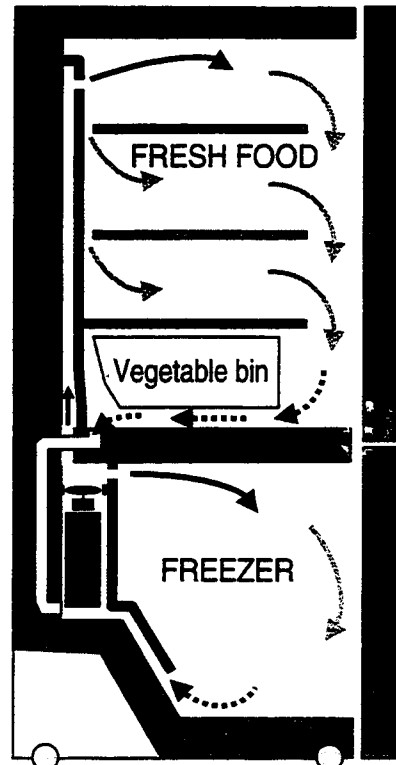
The evaporator fan forces air through the evaporator into the freezer compartment.

Air from the evaporator is also forced through the electronic damper to the top of the air tunnel, through the fresh food compartment, and returns to the evaporator.

The fresh food compartment receives chilled air through an electronic damper at the bottom, rear of the fresh food compartment. The damper is controlled by the main control board. When open, the damper allows chilled air from the freezer to move into the fresh food compartment.

Air returns from the fresh food compartment to the freezer compartment via two vents located to the left and right of the air tunnel.

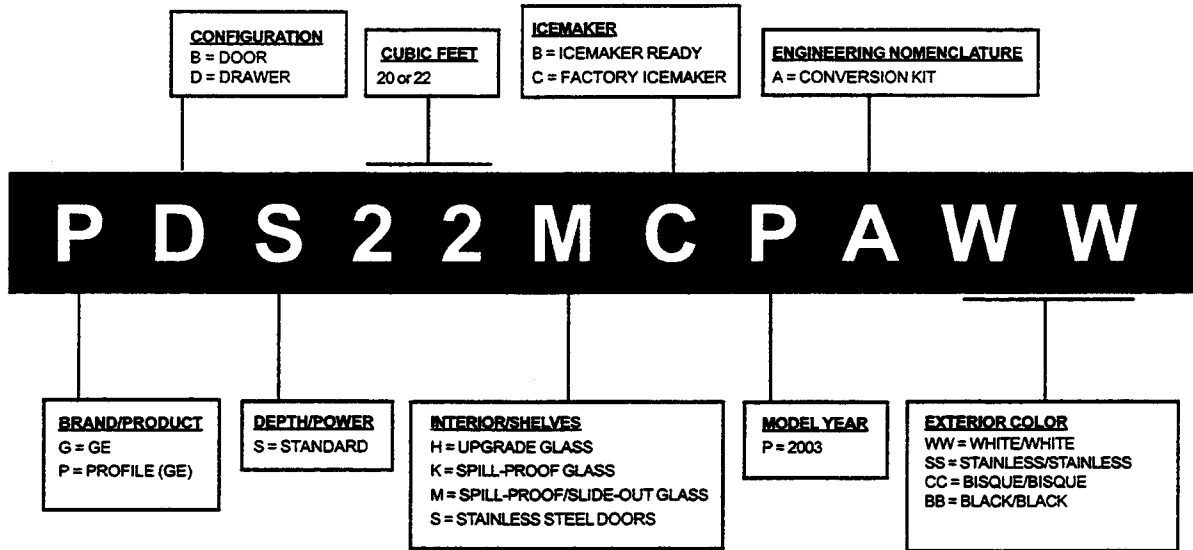
AIR FLOW



- COLD AIR
- - - MIXED AIR
- · · AIR RETURN TO EVAPORATOR

Nomenclature

Model Number



Serial Number

The first two characters of the serial number identify the month and year of manufacture.

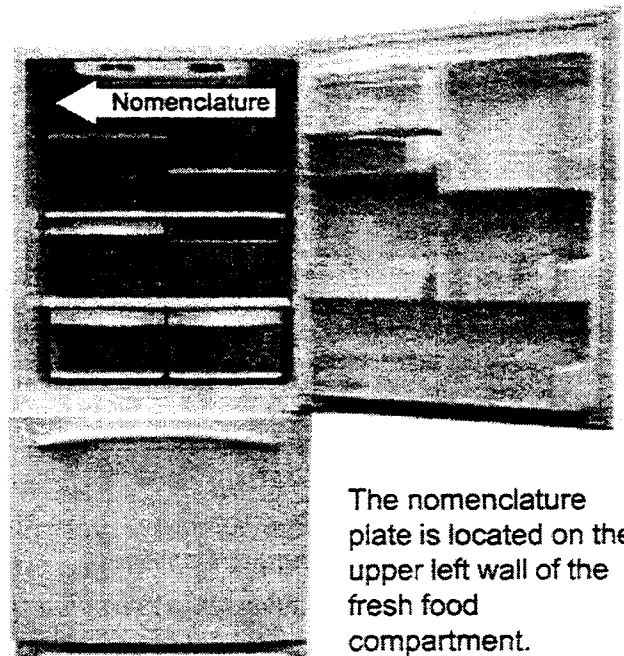
Example: **AG**123456S = January, 2004

A - JAN	2005 - H
D - FEB	2004 - G
F - MAR	2003 - F
G - APR	2002 - D
H - MAY	2001 - A
L - JUN	2000 - Z
M - JUL	1999 - V
R - AUG	1998 - T
S - SEP	1997 - S
T - OCT	1996 - R
V - NOV	1995 - M
Z - DEC	1994 - L

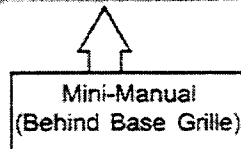
The letter designating the year repeats every 12 years.

Example:

T - 1974
T - 1986
T - 1998



The nomenclature plate is located on the upper left wall of the fresh food compartment.



Control Features

Electronic Control Panel



The temperature controls are preset in the factory at **37°F** for the refrigerator compartment and **0°F** for the freezer compartment. Allow 24 hours for the temperature to stabilize to the preset recommended settings.

The temperature controls can display both the **SET** temperature as well as the actual temperature in the refrigerator and freezer. The actual temperature may vary slightly from the **SET** temperature based on usage and operating environment.

Changing the Temperature

To change the temperature, press and release the **WARMER** or **COLDER** pad. The **SET** light will come on and the display will show the set temperature. To change the temperature, tap either the **WARMER** or **COLDER** pad until the desired temperature is displayed. Refrigerator temperatures can be adjusted between 34°F and 47°F and the freezer temperatures can be adjusted between -6°F and +8°F.

Once the desired temperature has been set, the temperature display will return to the actual refrigerator and freezer temperatures after 5 seconds. Several adjustments may be required.

Each time you adjust controls, allow 24 hours for the refrigerator to reach the temperature you have set.

To turn the cooling system off, tap the **WARMER** pad for either the refrigerator or the freezer until the display shows **OFF**. To turn the unit back on, press the **COLDER** pad for either the refrigerator or freezer. The **SET** light will illuminate on the side you selected. Then press the **COLDER** pad again (on the side where the **SET** light is illuminated) and it will go to the preset points of **0°F** for the freezer and **37°F** for the refrigerator. Setting either or both controls to **OFF** stops cooling in both the freezer and refrigerator compartments, but does not shut off electrical power to the refrigerator.

Knob (Encoder) Control Panel

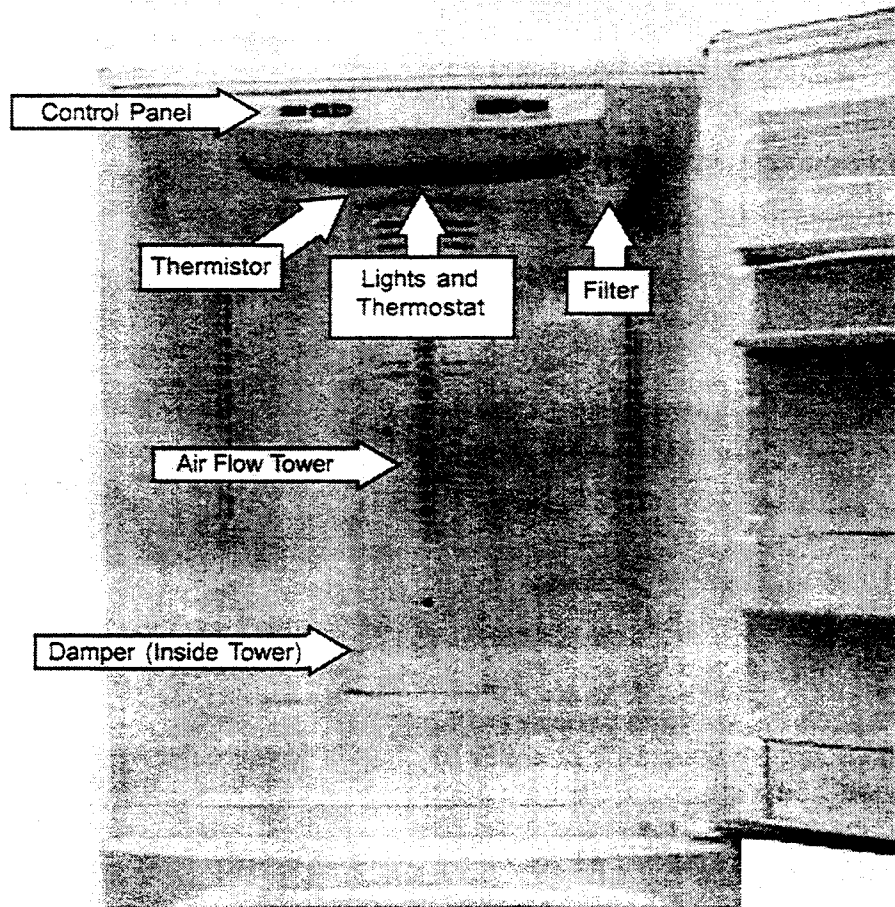


Initially, set the refrigerator control at **5** and the freezer control at **5** and allow 24 hours for the temperature to stabilize.

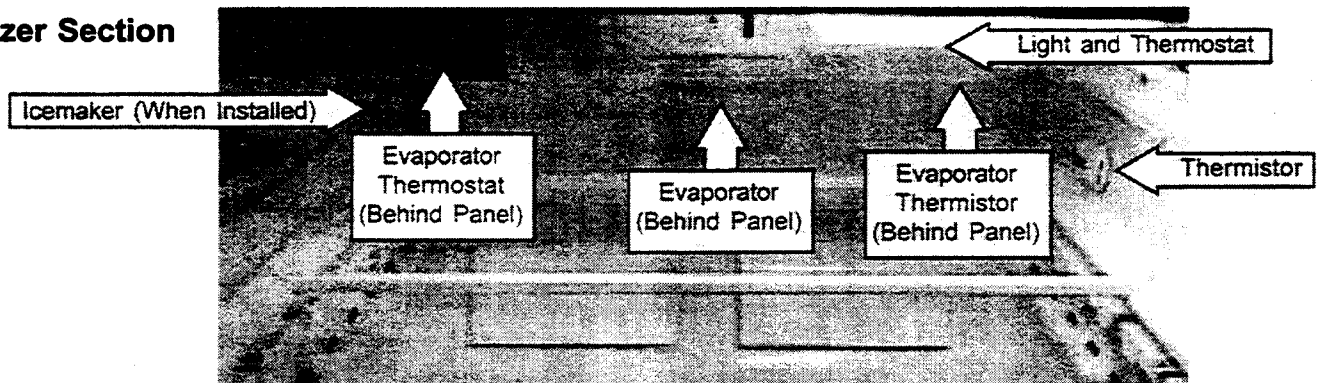
Several adjustments may be required. Adjust the controls one increment at a time, and allow 24 hours after each adjustment for the refrigerator to reach the temperature you have set.

Component Locator Views

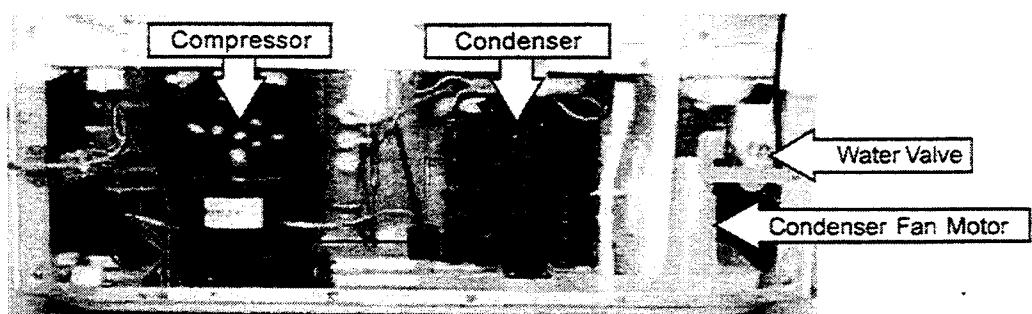
Fresh Food Section



Freezer Section



Machine Compartment



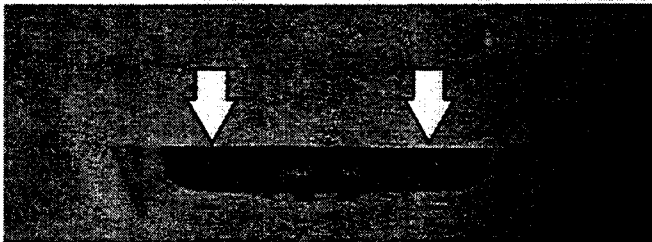
Components

Knob (Encoder)

Electronic and mechanical control panels are removed in the same manner.

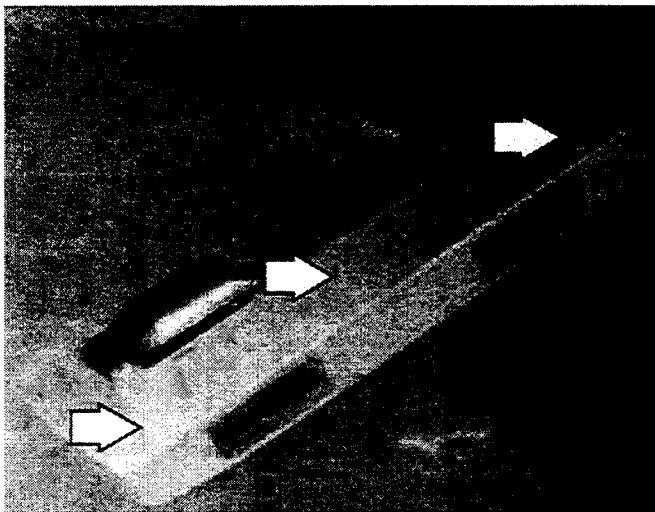
Removal and Replacement

1. Remove the fresh food light cover.
2. Remove the 2 screws that hold the rear of the control housing to the liner ceiling.

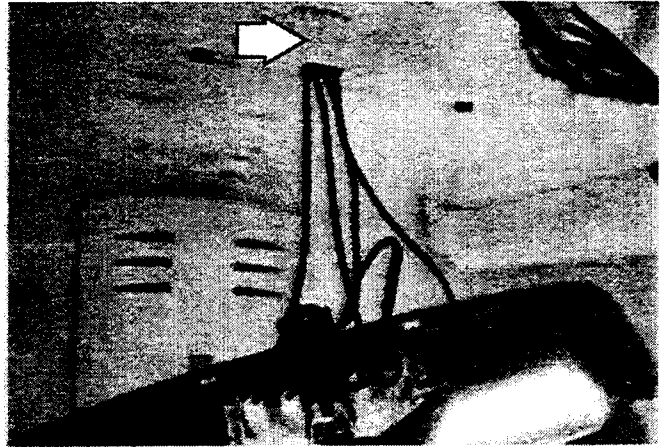


3. There are 3 posts inserted into the liner ceiling holding the front of the control in place. Firmly pull the control housing down at the front edge to release the posts. Pull the housing towards the front to release the tabs in the back.

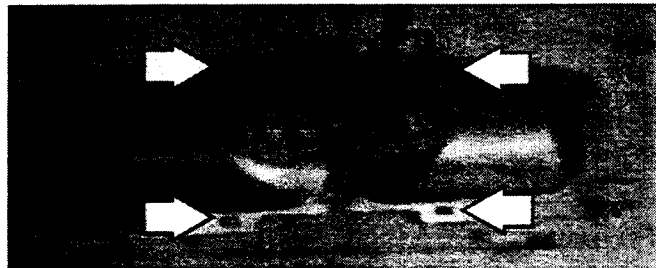
Note: The foam may be holding the posts and tabs in the liner.



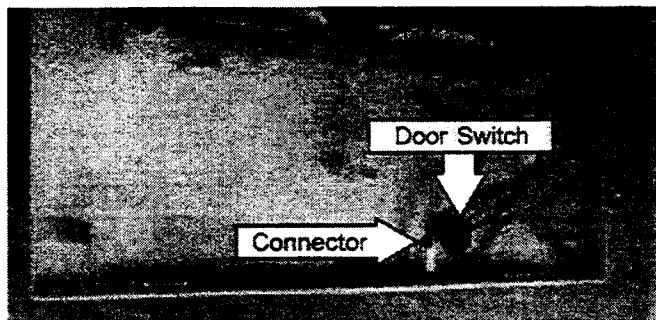
4. Unplug the fresh food light connector from the compartment ceiling.



5. The fresh food light housing is held in place by 4 tabs. Press the tabs to remove the housing.



6. Unplug the connector from the control board.
7. Press the tab on the door switch and push the switch through the hole in the control panel housing.

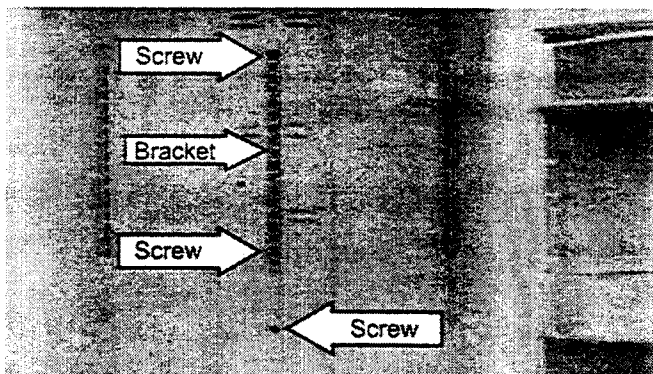


Air Flow Tower and Damper

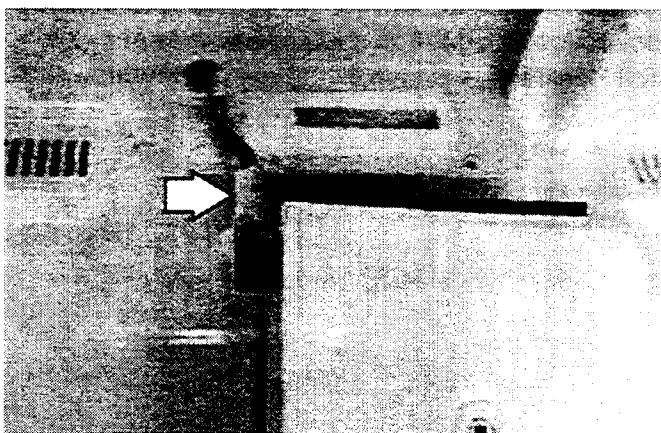
The air flow tower contains an internal damper. The damper and tower are replaced as one unit.

Removal and Replacement

1. Remove the 2 screws on the top and bottom of the center shelf bracket. Remove the bracket.
2. Remove the screw from the bottom of the air flow tower. Lean the tower forward to access the connector at the bottom of the tower.



3. Unplug the connector; then remove the air flow tower.

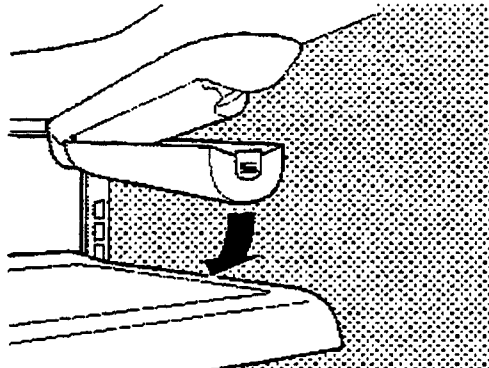


Water Filter

On ice maker models, the water filter is located in the upper, right corner of the fresh food compartment. The water filter should be changed every 6 months.

To access the water filter, press the tab on the front of the water filter cover and allow the cover to drop down.

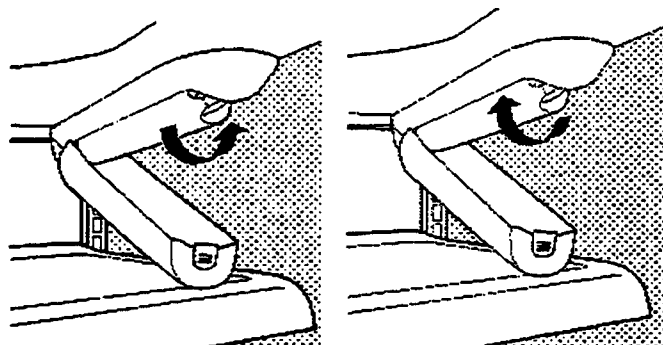
Water Filter Part # GSWF



Turn the water filter counterclockwise to remove and clockwise to install.

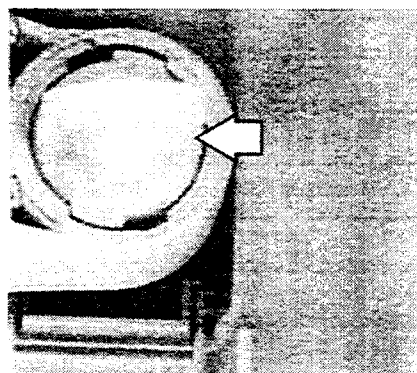
Remove

Install



Note: If a new filter is not available, a filter bypass must be installed to supply unfiltered water to the icemaker.

Filter bypass part # WR02X11613



Icemaker Ready Models

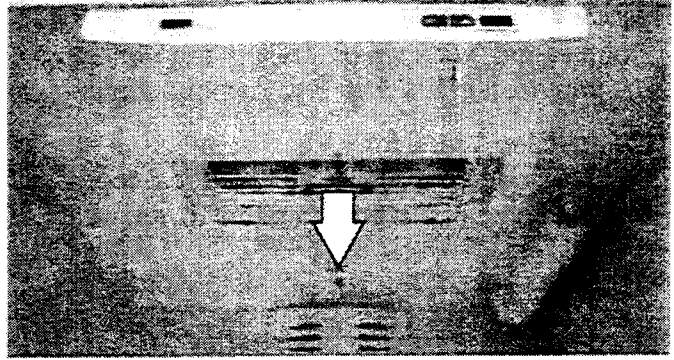
The accessory icemaker can be purchased through parts, part # IM6 or as a sales accessory, part # IM4A through a dealer. The icemaker must be installed with the fill tube shipped with the refrigerator. The slot in the fill tube must be on top of the tube.

The water fill tube is packaged with the use and care manual in a plastic bag in the vegetable drawer. The fill tube part number is WR02X11712.

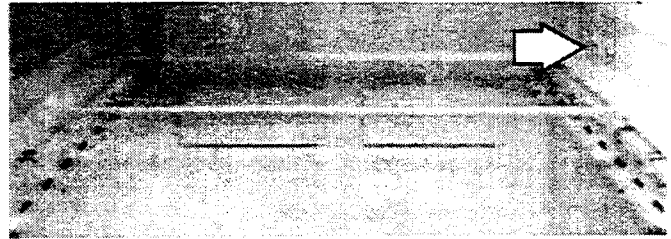
Fresh Food and Freezer Thermistors

Thermistor Values		
Temperature Degrees (F)	Resistance in Kilo-Ohms	Temperature Degrees (C)
-40	166.8 kΩ	-40
-31	120.5 kΩ	-35
-22	88 kΩ	-30
-13	65 kΩ	-25
-4	48.4 kΩ	-20
5	36.4 kΩ	-15
14	27.6 kΩ	-10
23	21 kΩ	-5
32	16.3 kΩ	0
41	12.7 kΩ	5
50	10 kΩ	10
59	7.8 kΩ	15
68	6.2 kΩ	20
77	5 kΩ	25
86	4 kΩ	30
95	3.2 kΩ	35
104	2.6 kΩ	40
113	2.2 kΩ	45
122	1.8 kΩ	50
55	1.5 kΩ	-40
60	1.2 kΩ	-35

The fresh food thermistor is located on the ceiling of the fresh food compartment behind the light assembly. -

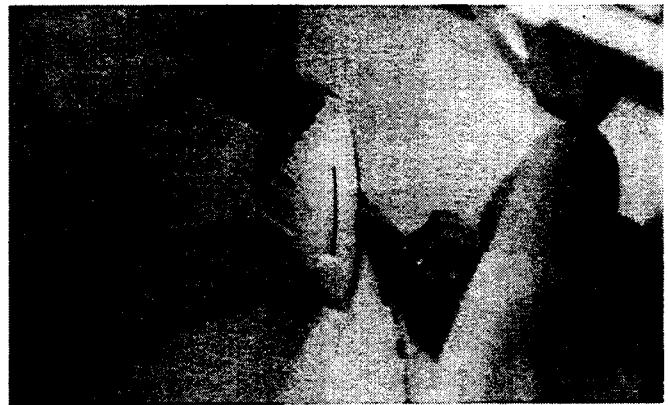


The freezer thermistor is located on the rear of the right hand wall in the freezer section.

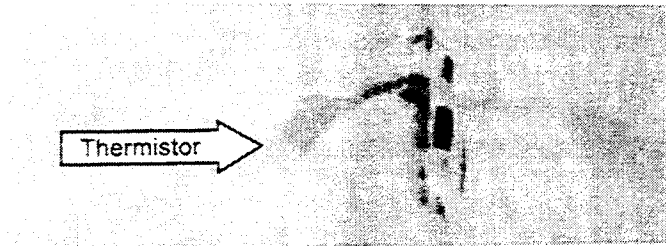


Note: Fresh food and freezer thermistors are removed in the same manner.

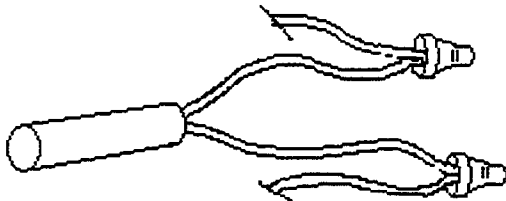
To remove the thermistor cover, insert a flat blade screwdriver under the front of the cover and gently lift the cover. Squeeze and lift the cover from the bottom until it releases from the compartment wall.



Note: Some of the foam insulation may need to be removed to expose the thermistor and wire.



When replacing the thermistor, cut the thermistor wires and splice the new thermistor using bell connectors as shown. Always use RTV102 silicone sealant to seal the end of the connector from moisture.



Note: The thermistor must be inside the thermistor cover but is not required to be inserted back into the insulation or inside the cabinet frame.

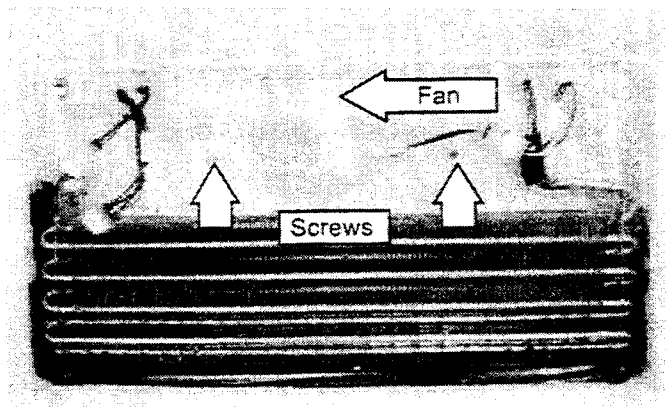
Evaporator Fan

The evaporator fan is located above the evaporator behind the rear panel of the freezer compartment. The evaporator fan is held in place by 2 screws.

To access the fan, remove the drawers, shelves, and icemaker (if installed) from the freezer compartment. Remove the back panel.

The fan, motor, and mount come out as one unit.

Shown with Back Panel Removed

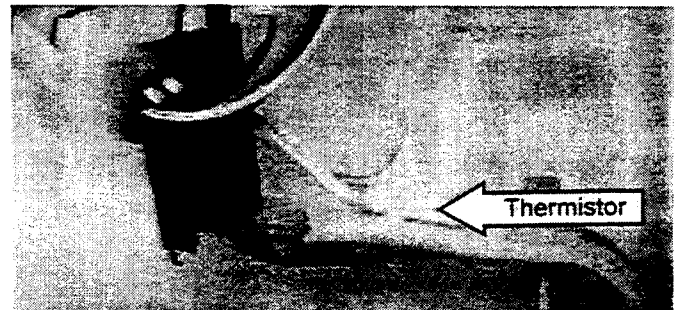
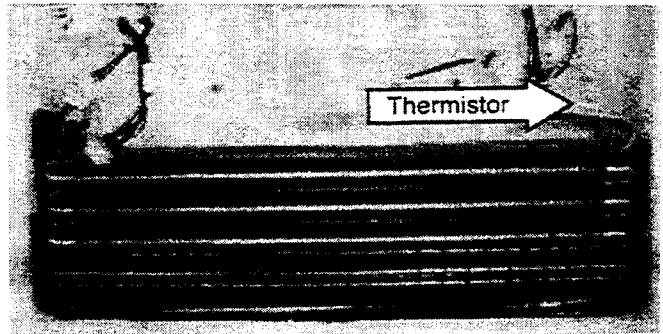


Evaporator Thermistor

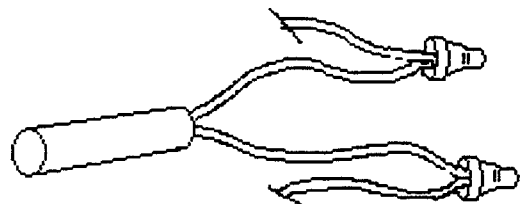
The evaporator thermistor is located on top of the evaporator behind the rear panel of the freezer compartment. The thermistor is held in place by a tie strap.

To access the thermistor, remove the drawers, shelves, and icemaker (if installed) from the freezer compartment. Remove the back panel.

Shown with Back Panel Removed



When replacing the thermistor, cut the thermistor wires and splice the new thermistor using bell connectors as shown. Always use RTV102 silicone sealant to seal the end of the connector from moisture. Use a new tie strap to secure the thermistor to the evaporator tubing.



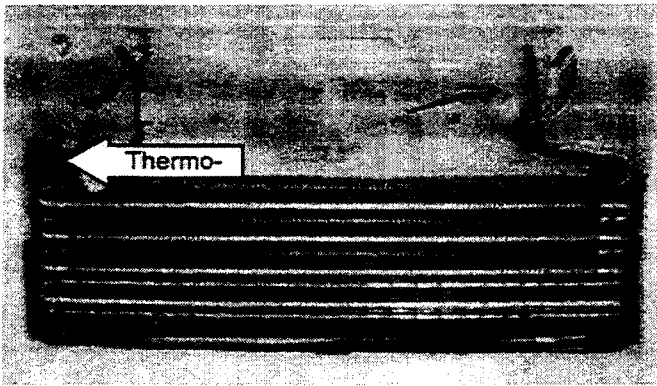
Evaporator Thermostat

The defrost heater is controlled by the evaporator thermistor and normally turns off at 70°F. If the evaporator thermistor fails, the evaporator thermostat will turn off the defrost heater at 140°F and will reset at 110°F.

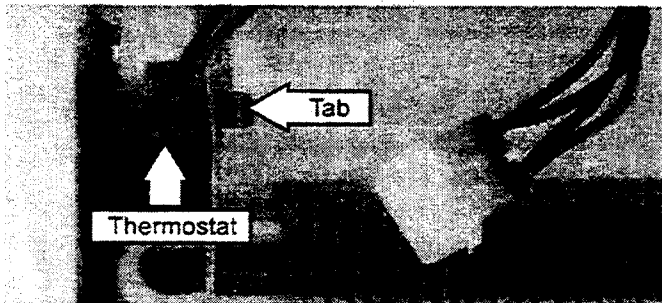
The evaporator thermostat is located on the top, left side of the evaporator behind the back panel of the freezer compartment.

To access the thermostat, remove the drawers, shelves, and icemaker (if installed) from the freezer compartment. Remove the back panel.

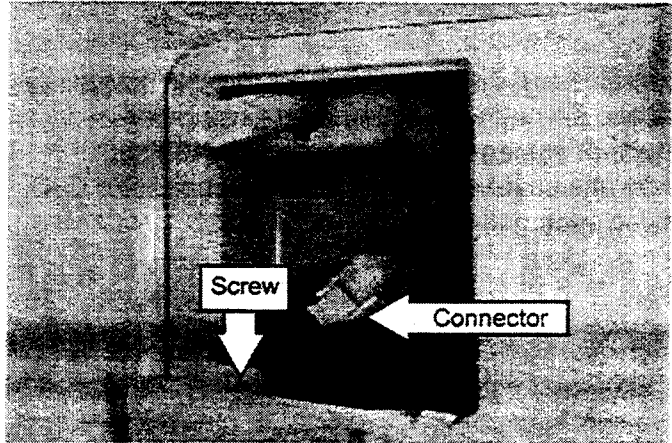
Shown with Back Panel Removed



The thermostat is held in place by a spring tab. To remove it, squeeze the tab.



Note: The resistance of the thermostat and defrost heater can be taken by removing the access panel located in the upper left section of the evaporator cover. Remove the screw and pull the cover forward to expose the two-wire connector. Unplug the connector and read the resistance between the two terminals. Since the thermostat and heater are in series, the reading should be approximately 32 Ω .



When replacing the thermostat, cut the thermostat wires and splice the new thermostat using bell connectors as shown. Always use RTV102 silicone sealant to seal the end of the connector from moisture.



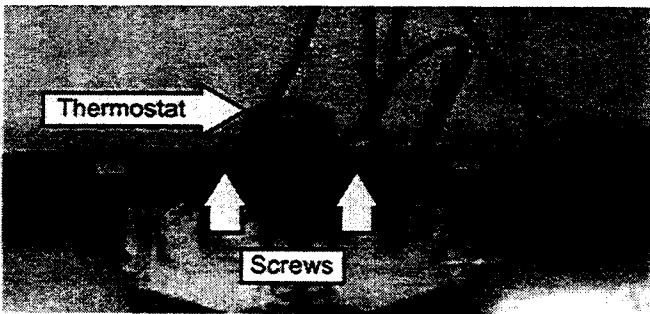
Fresh Food and Freezer Light Thermostats

Fresh Food Light Thermostat

The fresh food light thermostat interrupts power to the fresh food lights when the temperature reaches 175°F. Power is restored when the thermostat temperature cools to 155°F.

The thermostat is located on the back of the fresh food light housing.

To access the thermostat, remove the control panel (see Control Panel). The thermostat is held in place by 2 screws.

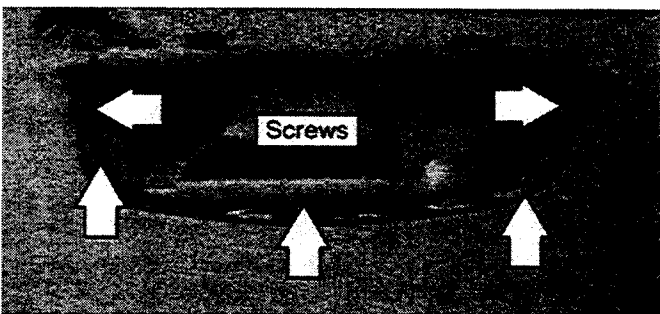


Freezer Light Thermostat

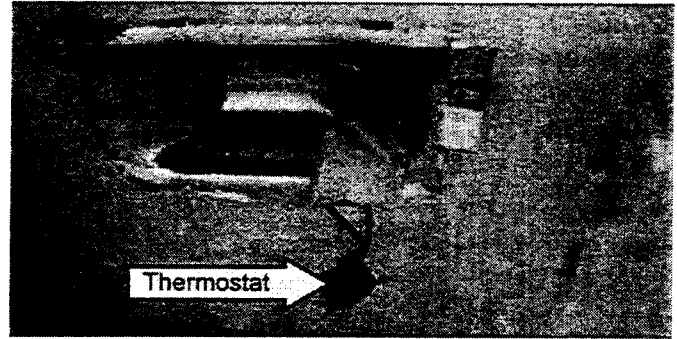
The freezer light thermostat interrupts power to the freezer lights when the temperature of the disk reaches 175°F. Power is restored when the thermostat temperature cools to 155°F.

The thermostat is located behind the freezer light housing.

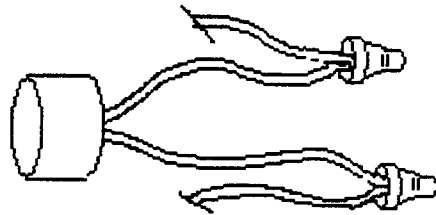
To access the thermostat, remove the freezer light cover and housing. The housing is held in place by 5 screws.



Note: To gain better access to the thermostat, pull the housing down until there is enough room to remove the thermostat.



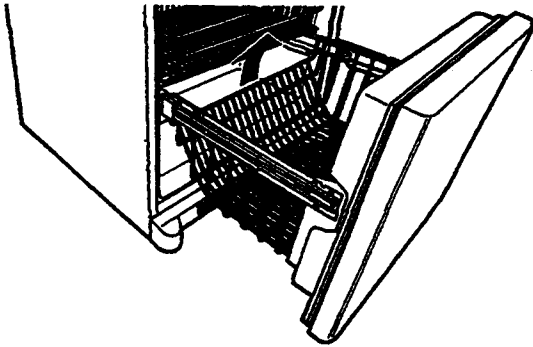
When replacing the thermostat, cut the thermostat wires and splice the new thermostat using bell connectors as shown. Always use RTV102 silicone sealant to seal the end of the connector from moisture.



Freezer Drawer and Slides

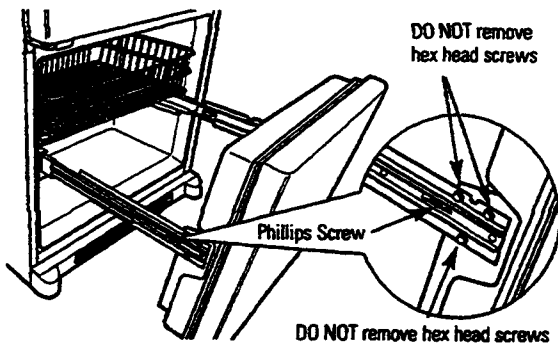
Removal and Replacement

1. Open the freezer drawer until it stops.
2. The bottom basket rests on a frame inside the freezer drawer. To remove it, lift the basket from the back and slide it toward the freezer compartment.

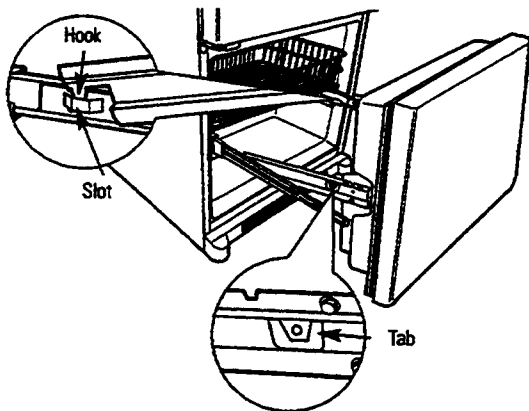


3. Remove the single Phillips-head screw on each side of the rail.

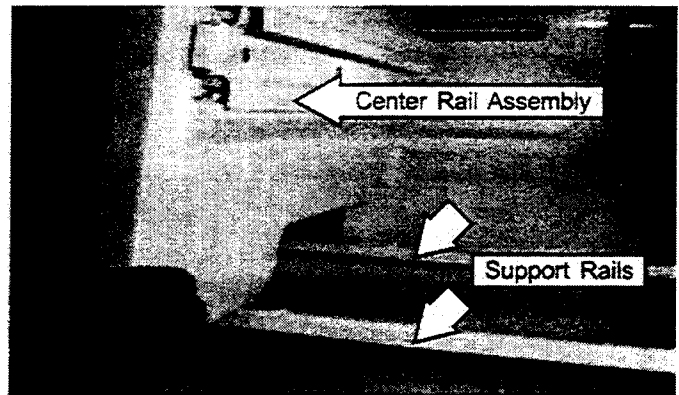
Note: Do not remove the hex-head screws from the rail assemblies.



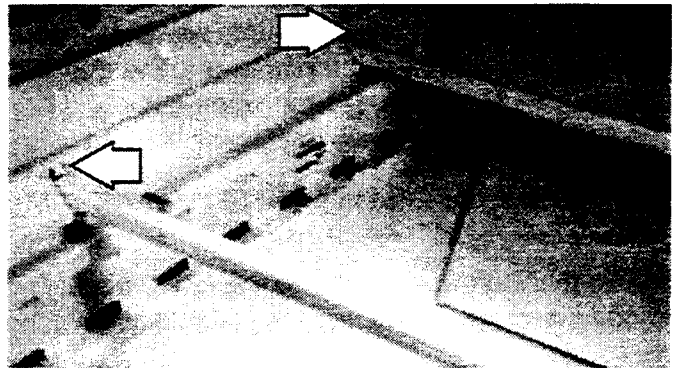
4. The tabs on the side of the drawer rails fit into the front slots of the guide rails. Lift the drawer by the handle to separate the drawer rails from the guide rails.



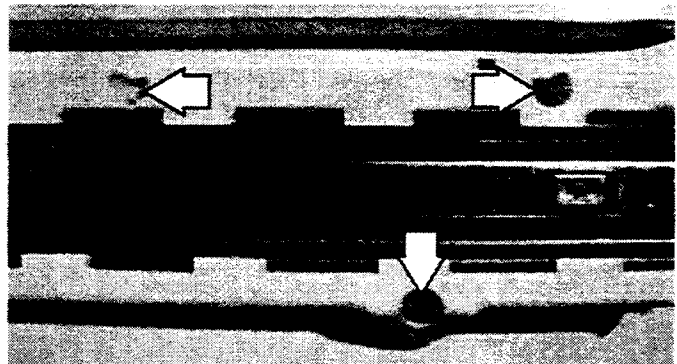
5. Set the drawer on a non-scratching surface.
6. Remove the middle basket, top basket, ice tray shelf, and ice bin.
7. The center rail assembly is held in place by a molded channel in the freezer ceiling and notches in the metal support rails. Remove the center rail assembly by pressing down on the metal support rails while rotating the bottom edge of the center rail assembly.



8. To remove the metal support rails, press the tabs on the plastic support housing.

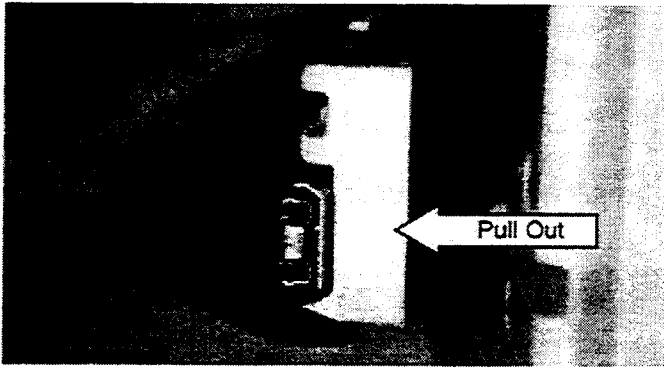


9. Remove the 3 Phillips screws that hold the plastic support housing in place.

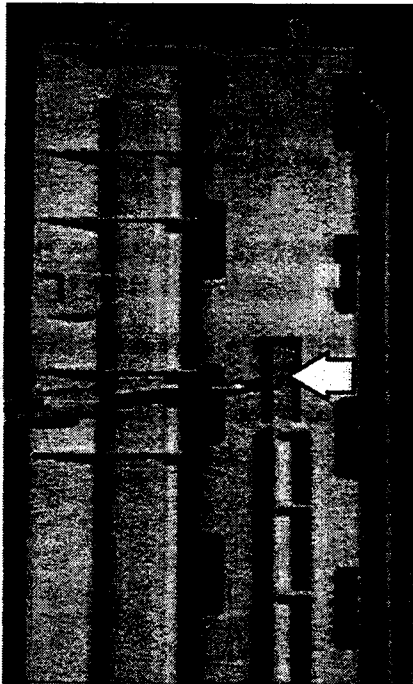


10. Pull the front edge of the plastic support housing away from the side wall. Pull the housing forward to disengage the rear tabs.

Note: The plastic housing may be tight against the side wall, and the tabs may be foamed in place. Some force may be required to remove it.



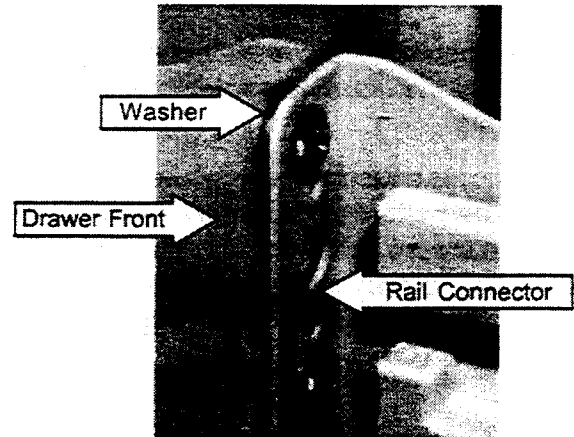
11. To remove the guide rails from the plastic support housing, lift the tab on the back side of the housing with a small flathead screwdriver.



Freezer Drawer Shim

If the drawer is not sealing correctly and the gasket is not damaged, the door alignment can be adjusted.

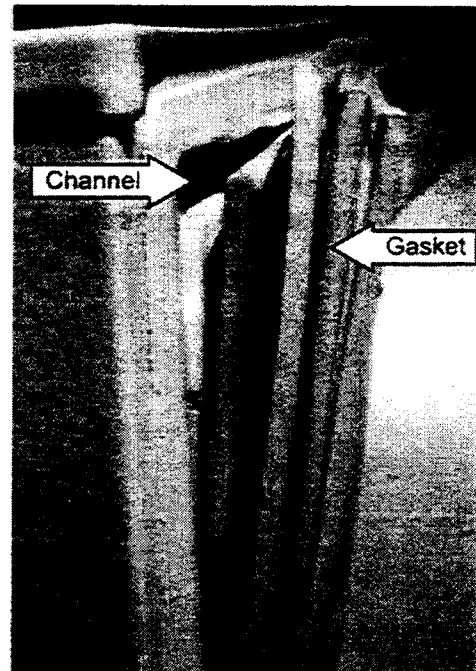
Remove the Phillips screws holding the rail connector to the drawer front. Using the necessary number of stainless steel washers, shim the drawer to provide the correct alignment.



Door Gaskets

The door gaskets are fitted tightly into the door channel. They should not be removed unless they need to be replaced.

Note: When replacing a gasket, a wide blade screw driver may be necessary to remove the gasket.



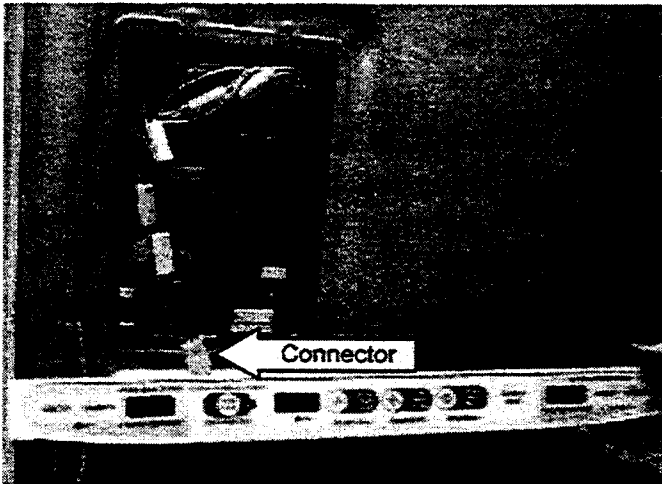
Troubleshooting

Control Diagnostics

A diagnostic aid can be assembled which consists of a control board, membrane and wiring harness. The parts required are WR55X10120, WR55X10068 and WX05X14999.

The control diagnostics allow the technician to functionally test individual components to aid in troubleshooting.

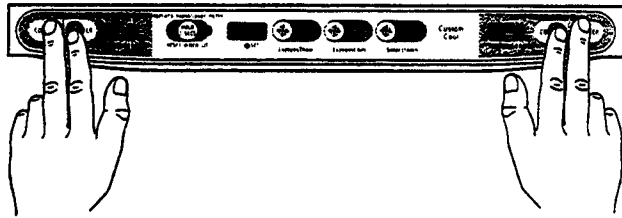
On the electronic bottom mount models, the diagnostics are performed by removing the existing temperature control board and plugging in the diagnostic aid or by accessing the main board on the back of the refrigerator and plugging into the J4 connector.



Note: Refrigerators with an electronic temperature control must have the control disconnected before attempting the diagnostics test from the main control board.

1. Enter the diagnostic mode by pressing both the freezer temperature (COLDER and WARMER) pads and the refrigerator temperature (COLDER and WARMER) pads simultaneously.

Note: All four pads must be held for approximately 3 seconds. Blinking "0's" in both displays indicate the refrigerator has entered the test mode.



3. Press and release any pad other than the temperature pads to activate the test mode.
4. Enter the display numbers as shown in the diagnostics chart on the next page for the test desired.
5. Press and release any pad other than the temperature pads to activate the test mode.

Note: Selected models have limited test capability. See the COMMENTS column in the Diagnostics Chart on the next page for clarification.

Diagnostics Chart

FREEZER DISPLAY	FRESH FOOD DISPLAY	DIAGNOSTICS	RESULTS	COMMENTS
0	5	Encoder Test	As the knob is rotated the display will show the corresponding setting	Only for models with temperature control knobs
0	7	Control and Sensor System Test	Checks each thermistor and displays "P" for pass and "0" for fail	See Note 1 below for display order
1	0	Dampers Test	Opens each damper, pauses briefly and then closes.	Includes Custom Cool dampers if applicable
1	1	Fan Test	Runs each fan in sequence for 10 seconds each.	
1	2	100% Run Time	Sealed system on 100% of the time. Times out after 1 hour.	
1	3	Prechill Test	Starts Prechill mode. Unit returns to normal on its own.	
1	4	Defrost Test	Toggles on the Defrost cycle. See Note 2 below	Must press again to turn heaters off. See Note 2
1	5	Main Control Reset	Causes a system reset	
1	6	Exit Diagnostic Mode	Causes a temperature control board reset	
1	7	Degrees C°/F°	Changes from F° to C° or C° to F° on temperature display	See Note 3 below

Note 1. #1 & #2 - Single Fresh Food Thermistor #3 - Custom Cool #4 - Evaporator #5 - Freezer Thermistor test results are: P = Pass 0 = Fail S = Short to 5 VDC B = Bad amplifier (replace main control)

Note 2. You must enter the defrost test again to toggle the defrost heater off at the end of the test. The heater will not come on if the evaporator thermistor is warm.

Note 3. Press FF temperature pad (warmer/colder) to toggle. Using the service test board, you can change the temperature display from Fahrenheit to Centigrade on the refrigerator display, but the customer will be unable to change it back without using a service test board.

Refer to Service Guide 31-9072 for additional information

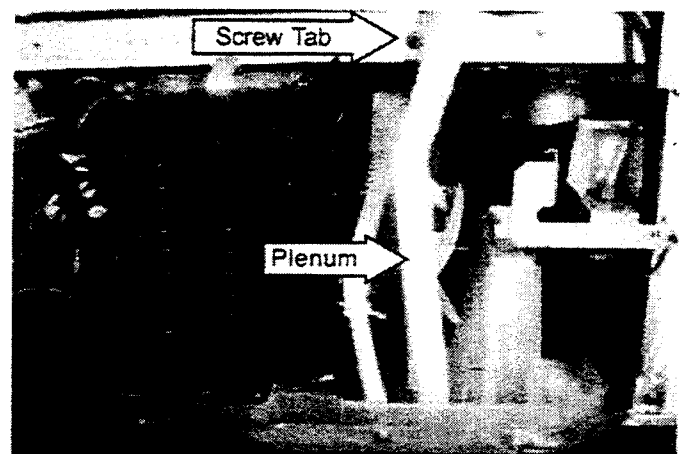
Condenser Fan Noise

Symptom: Loud airflow noise coming from the condenser fan compartment.

Problem: The plenum is bent out of position due to the screw tab being tightened at an angle.

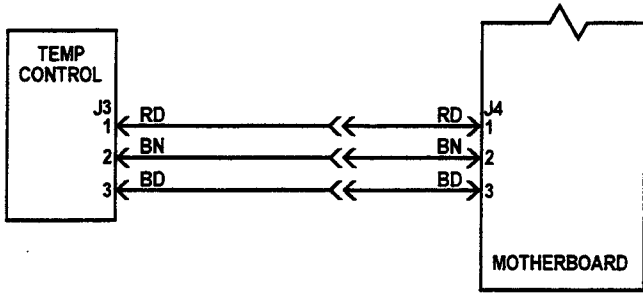
Solution: Release the tension off the plenum by loosening the screw tab. Straighten the plenum to the proper position around the fan blade. Tighten the screw so the tab is straight.

Photo Shown with Plenum in the Bent Position

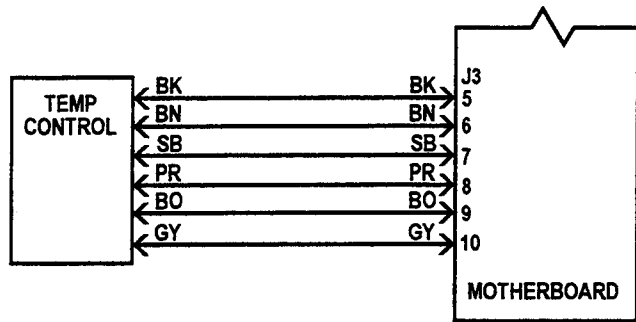


Strip Circuits

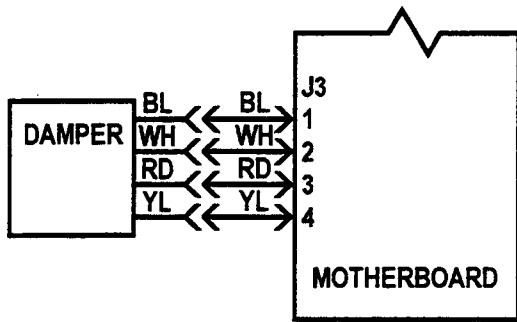
3-Wire Electronic Temperature Control



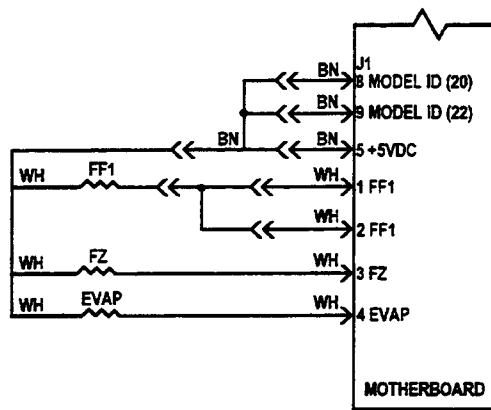
6-Wire Encoder Temperature Control



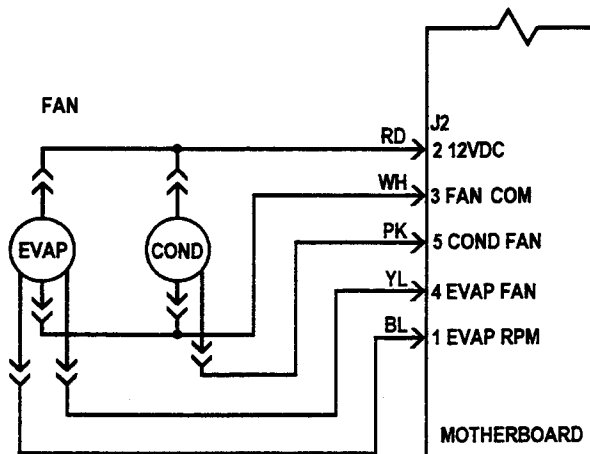
Damper



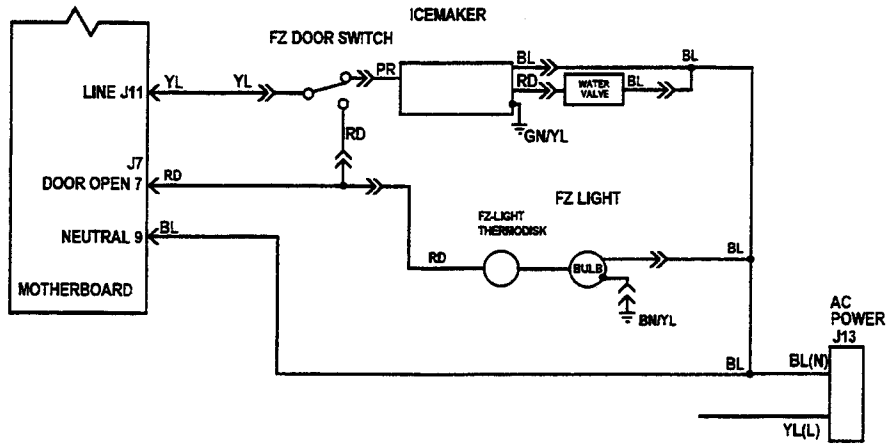
Thermistors



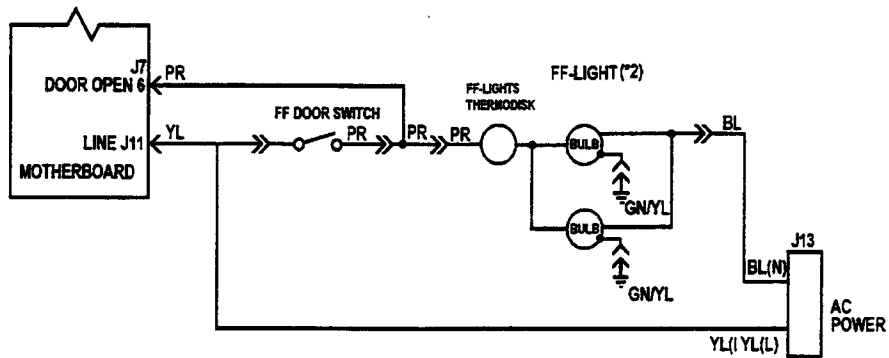
Condenser and Evaporator Fan



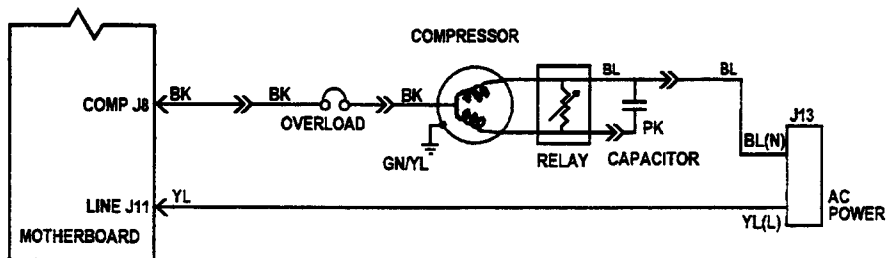
Freezer Light



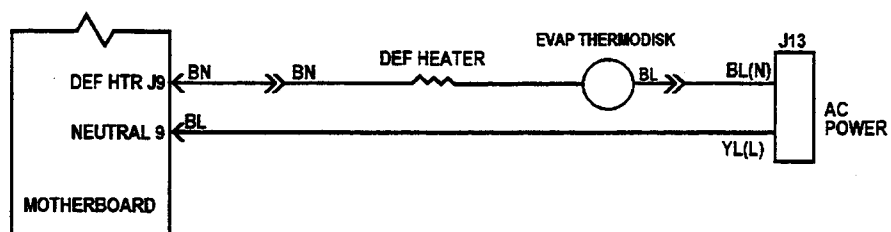
Fresh Food Light



Compressor



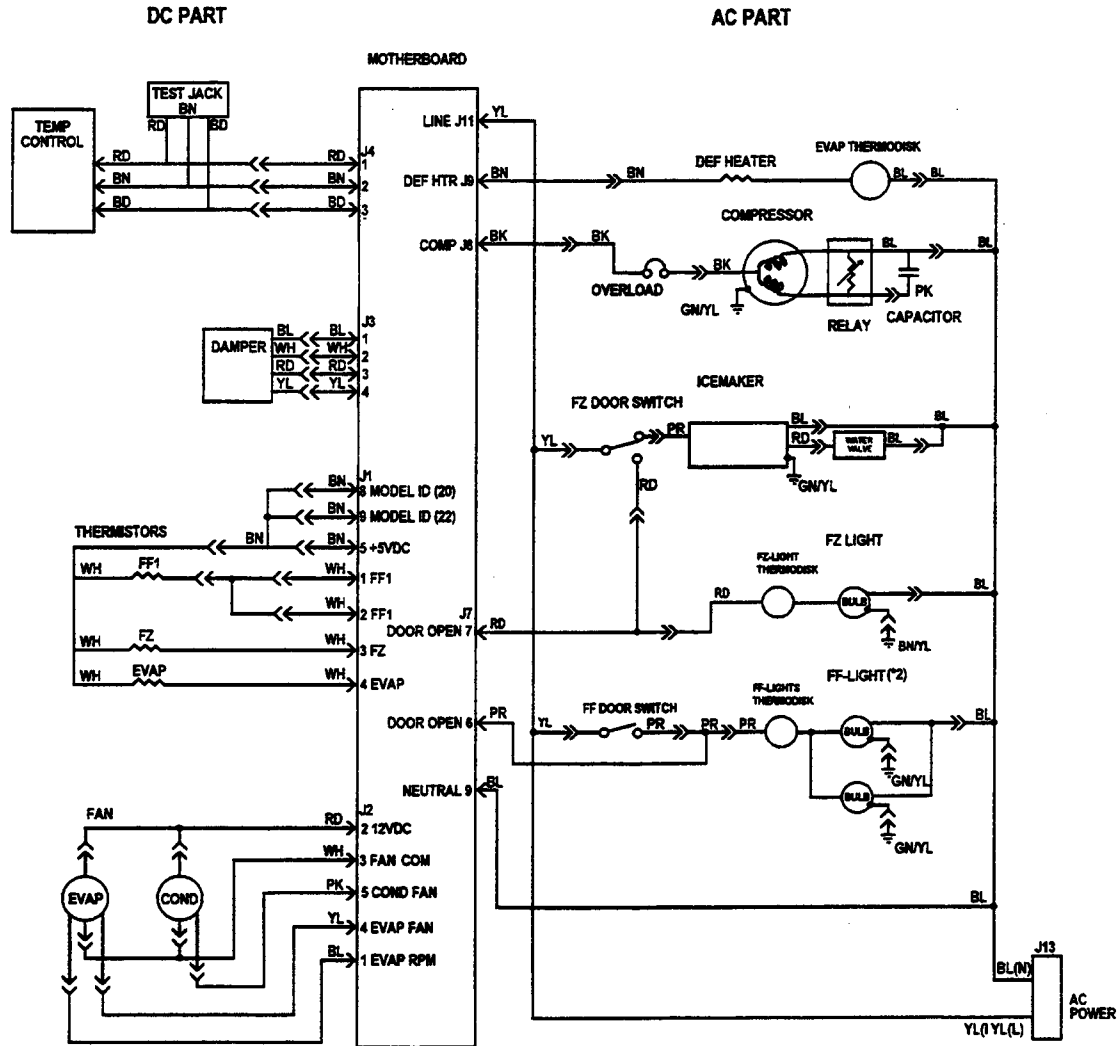
Defrost Heater



Schematics

Drawer Models

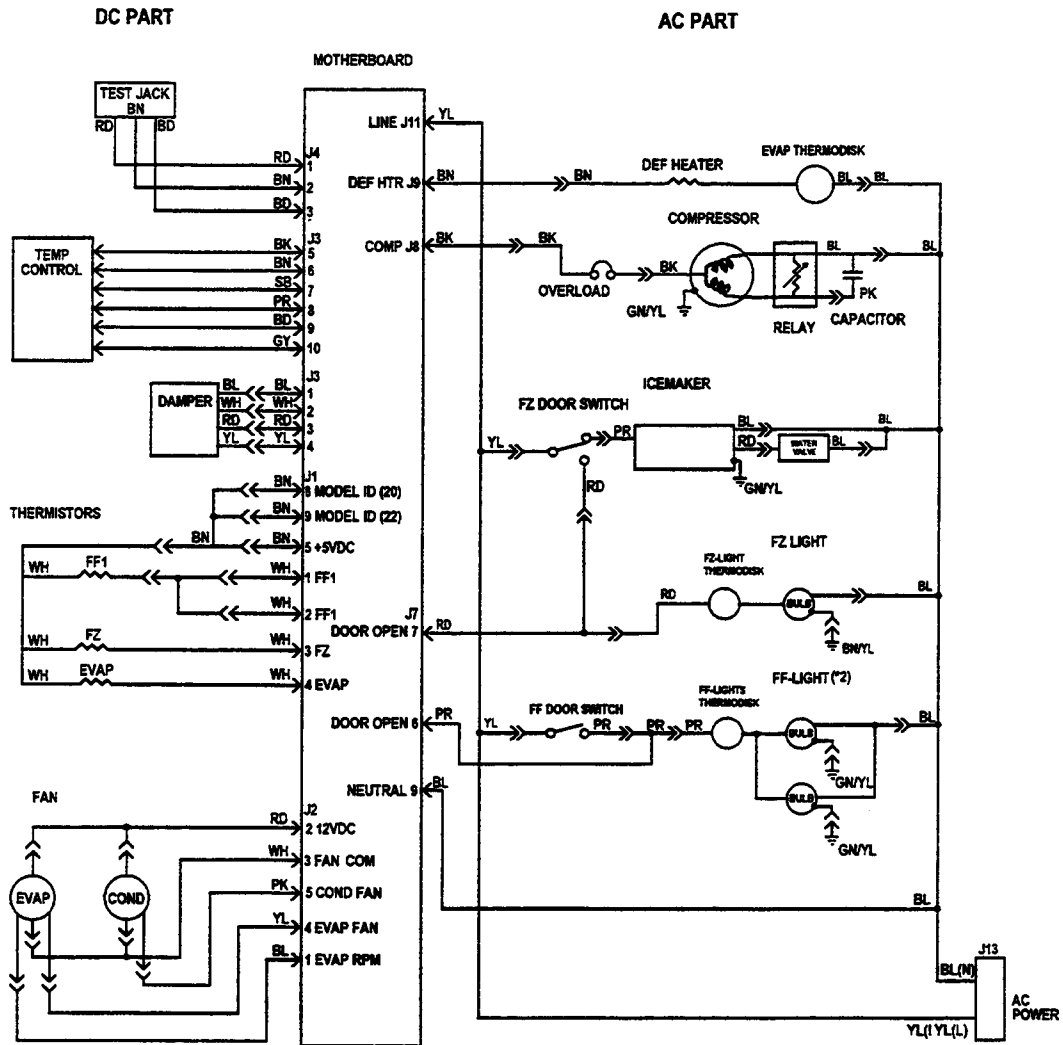
CIRCUIT DIAGRAM/ (DRAWER 20, 22 CUFT)



LEGEND

BK: BLACK
 BN: BROWN
 RD: RED
 BO: BRIGHT ORANGE
 BL: BLUE
 GY: GREY
 GN: GREEN
 YL: YELLOW
 WH: WHITE
 PR: PURPLE
 SB: SKY BLUE
 PK: PINK

**CIRCUIT DIAGRAM/
(SWING 20, 22 CUFT)**



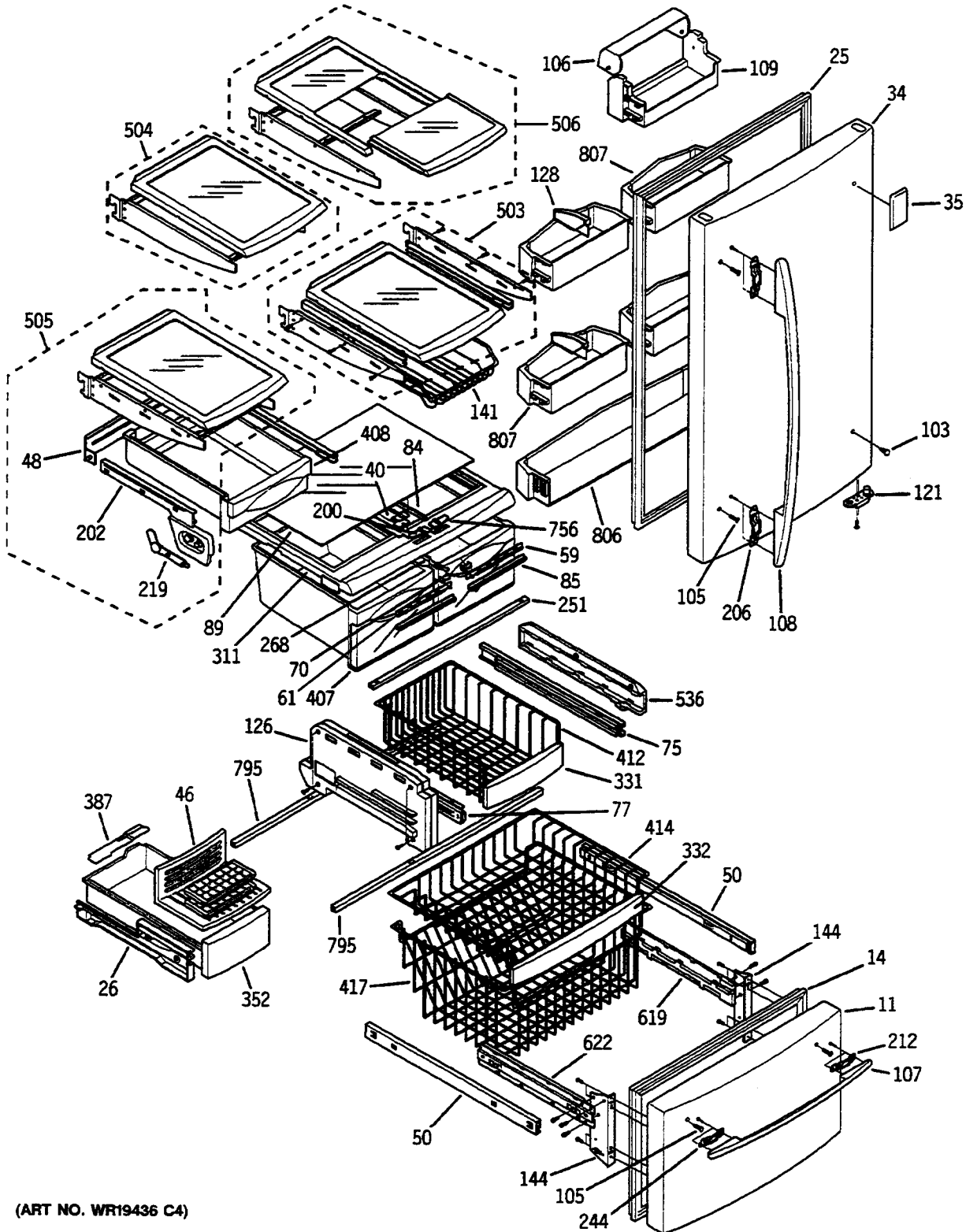
LEGEND

- BK: BLACK
- BN: BROWN
- RD: RED
- BO: BRIGHT ORANGE
- BL: BLUE
- GY: GREY
- GN: GREEN
- YL: YELLOW
- WH: WHITE
- PR: PURPLE
- SB: SKY BLUE
- PK: PINK

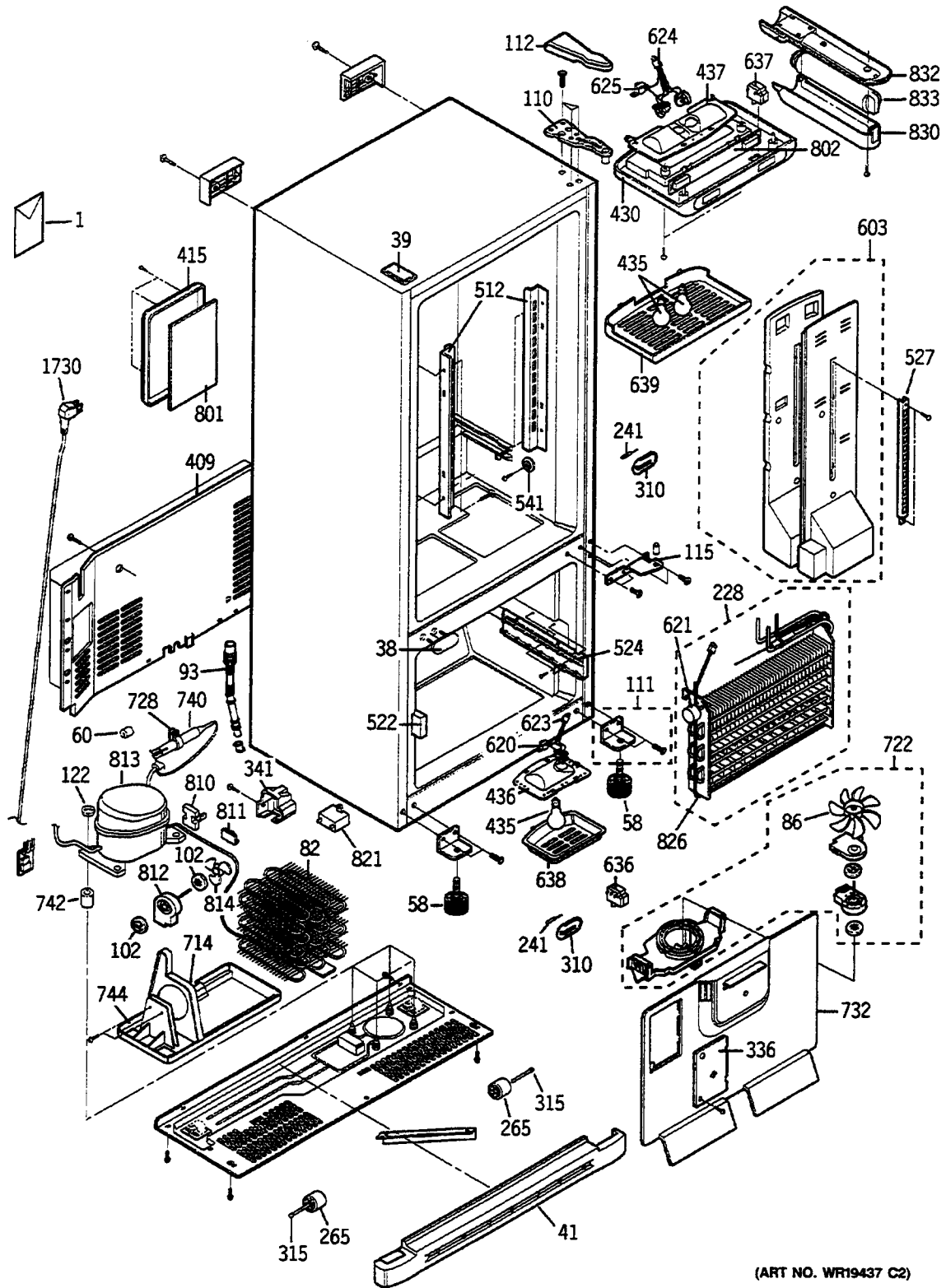
Illustrated Parts Catalog

Note: Exploded views and parts list are for illustration only. Refer to parts catalog for specific model information.

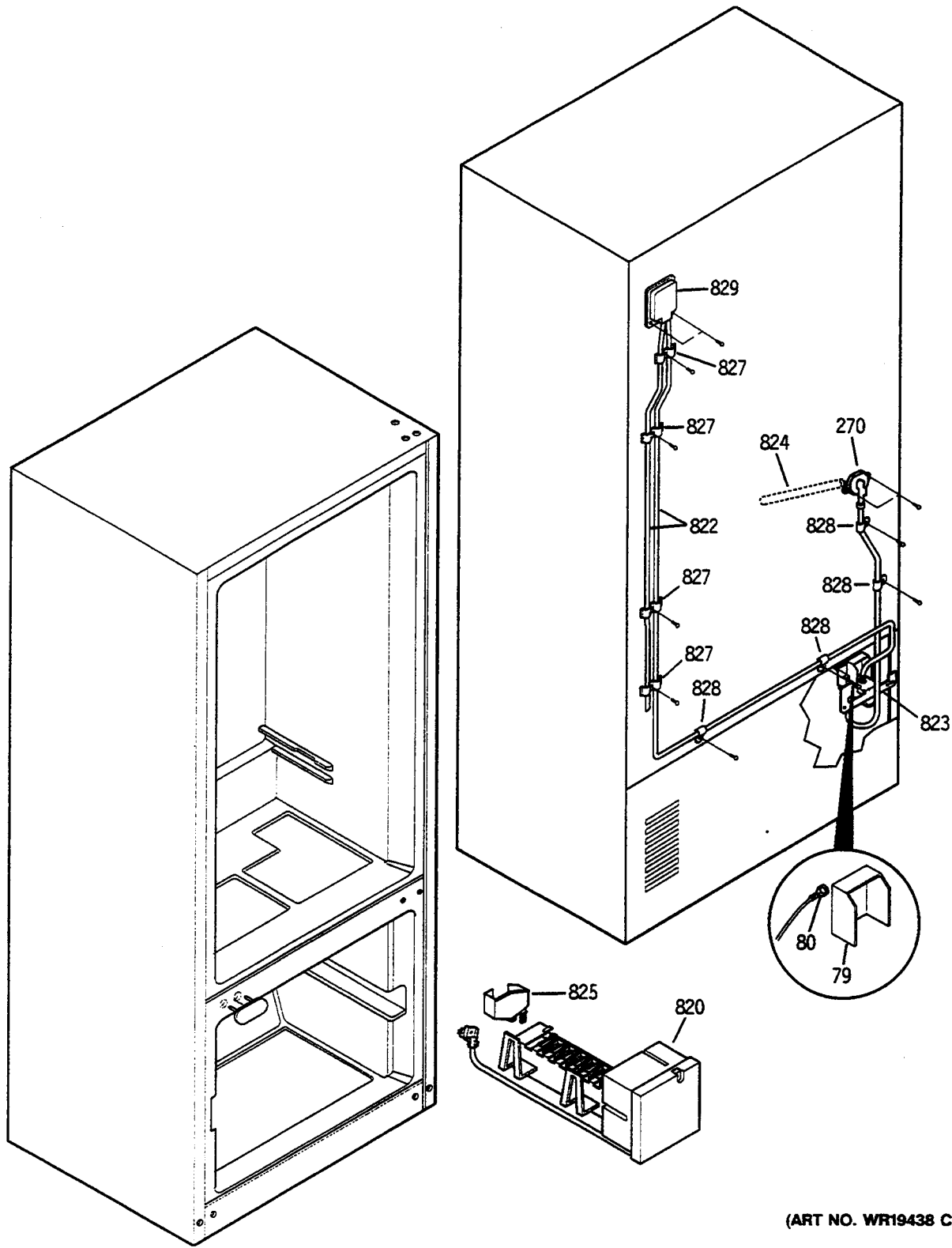
PDS22AMBPAWW Shown



(ART NO. WR19436 C4)



(ART NO. WR19437 C2)



(ART NO. WR19438 C2)

PDS22AMBPAWW Shown

VIEW NUMBER	CATALOG NUMBER	DESCRIPTION	QUANTITY
1	31-46043	HANDLE INSTRUCTIONS	1
1	31-46169	INSTALL INSTRUCTION	1
1	31-51515	MINI MANUAL	1
1	49-60282	USE AND CARE	1
11	WR78X10943	DOOR FOAM ASS'Y,FZ	1
14	WR14X10184	GASKET ASSEMBLY,F	1
25	WR14X10185	GASKET ASSEMBLY,R	1
26	WR17X11585	GUIDE,RAIL(ICE)BIN	1
34	WR78X10944	DOOR FOAM ASS'Y,R	1
35	WR04X10138	NAME PLATE	1
38	WR02X11722	CAP,HINGE(C)	1
39	WR02X11721	CAP,HINGE(U)	1
40	WR02X11684	GUIDE RAIL(MIDDLE T/V)	1
41	WR74X10170	FRONT GRILLE ASS'Y	1
46	WR30X10050	SHELF ICE TRAY	1
48	WR17X11584	GUIDE AIR	1
50	WR17X11591	RAIL ASSEMBLY	2
58	WR02X11676	LEVELING LEG	2
59	WR02X11673	LINK,HUMIDITY(L)	1
60	WR02X11696	RUBBER,DAMPING	1
61	WR02X11674	LINK,HUMIDITY(R)	1
70	WR02X11701	RAIL SLIDE(C)	2
75	WR17X11589	RAIL ASS'Y,SLIDE(RH FZ)	1
77	WR17X11590	RAIL ASS'Y,SLIDE(LH FZ)	1
79	WR02X11753	BRACKET-WTR/VALVE	1
79	WR02X11753	BRACKET-WTR/VALVE	1
80	WR23X10347	GROUND WIRE-WTR VALVE	1
82	WR84X10057	CONDENSER ASS'Y	1
84	WR14X10176	MIDDLE GASKET	1
85	WR14X10175	FRONT GASKET	2
86	WR60X10147	FAN ASS'Y BLADE	1
89	WR32X10465	LOWER PAN	1
93	WR02X11697	DRAIN TUBE	1
102	WR02X11694	GROMMET - RUBBER	2
103	WR02X11750	PLUG BUTTON - WW	2
105	WR01X10446	BOLT-DOOR HNDL	4
106	WR02X11665	DAIRY DOOR CVR	1
107	WR12X10670	HANDLE,FZR DOOR	1
108	WR12X10669	HANDLE,FF DOOR	1
109	WR71X10536	DAIRY BIN	1
110	WR13X10303	HINGE ASSEMBLY,U	1
111	WR13X10305	HINGE ASS'Y	2
112	WR02X11719	COVER,HINGE(U)	1
115	WR13X10307	HINGE ASSEMBLY,C	1
121	WR02X11720	STOPPER,DOOR	1
122	WR02X11306	STOPPER,COMP	4
126	WR02X11686	GUIDE ASSEMBLY,RAIL	1
128	WR02X11680	SNUGGER	2
141	WR21X10081	CAN DISPENSER	1

PDS22AMBPAWW Shown

VIEW NUMBER	CATALOG NUMBER	DESCRIPTION	QUANTITY
144	WR02X11687	CONNECTOR,DOOR	2
200	WR02X11689	SHUTTER SLIDE	1
202	WR72X10148	SLIDE ASS'Y LEFT	1
206	WR02X11679	BRACKET,HANDLE FF	2
212	WR02X11678	BRACKET,HANDLE FZR(L)	1
219	WR02X11672	LEVER,SHUTTER	1
228	WR85X10057	EVAPORATOR ASS'Y	1
241	WR55X10025	SENSOR TEMP FF	3
244	WR02X11677	BRACKET,HANDLE FZR	1
251	WR02X11703	SUPPORTOR COVER T/V	1
265	WR02X11698	ROLLER	4
268	WR02X11671	ADJUSTER	1
270	WR02X11690	GROMMET FILL TUBE	1
310	WR02X11664	COVER,SENSOR	2
311	WR02X11666	FRAME - LOWER PAN	1
315	WR02X11741	ROLLER PIN	4
331	WR12X10657	FZR BSKT UPPER HANDLE	1
332	WR12X10658	FZR BSKT W/TRIM	1
336	WR02X11669	COVER,GRILLE FAN	1
341	WR02X11663	COVER,P.T.C	1
352	WR30X10052	ICE BIN	1
387	WR02X11662	COVER ICE BIN	1
407	WR32X10463	VEG PAN	2
408	WR32X10464	MEAT PAN	1
409	WR02X11670	ACCESS COVER	1
412	WR21X10080	FZR BSKT - UPPER	1
414	WR21X10079	FZR BSKT - CTR	1
415	WR02X11659	MAIN CVR	1
417	WR21X10078	FZR BSKT	1
430	WR17X11592	HOUSING CONTROL	1
435	60A	BULB 60W	3
436	WR02X11656	REFLECTOR,LAMP(FZ)	1
437	WR02X11657	REFLECTOR,LAMP(FF)	1
503	WR71X10562	SHELF ASSEMBLY,R	1
504	WR71X10563	SHELF ASSEMBLY,R	1
505	WR71X10564	SHELF ASSEMBLY,R	1
506	WR71X10565	SHELF ASSEMBLY,FOLDING	1
512	WR72X10151	HOLDER,SHELF R/L	2
522	WR02X11682	RAIL SUPPORT - L	1
524	WR02X11681	RAIL SUPPORT - R	1
527	WR71X10541	HOLDER,SHELF C	1
536	WR02X11704	HOLDER,RAIL	1
541	WR02X11683	VEG PAN FRT SUPPORT	2
603	WR09X10114	DAMPER ASS'Y	1
619	WR17X11587	CONNECTOR ASSEMBLY(R)	1
620	WR50X10044	THERMOSTAT-BI-METAL	1
621	WR50X10047	THERMODISC(FUSE-M)	1
622	WR17X11588	CONNECTOR ASSEMBLY(L)	1

PDS22AMBPAWW Shown

VIEW NUMBER	CATALOG NUMBER	DESCRIPTION	QUANTITY
623	WR02X11699	SOCKET ASSEMBLY,LAMP(F)	1
624	WR02X11700	SOCKET ASSEMBLY,LAMP(R)	1
625	WR50X10050	THERMODISC FF	1
636	WR23X10341	SWITCH LIGHT FZ	1
637	WR23X10342	SWITCH LIGHT FF	1
638	WR02X11661	COVER LAMP FF	1
639	WR02X11658	COVER LAMP FZ	1
714	WR30X10048	TRAY DRIP	1
722	WR60X10146	EVAP MOTOR ASS'Y	1
728	WR02X11702	HOLDER,DRIER	1
732	WR17X11594	EVAP FAN CVR ASS'Y	1
740	WR86X0093	DRIER	1
742	WR02X11695	COMP. GROMMET	4
744	WR17X11583	GUIDE,FAN	1
756	WR02X11688	SHUTTER SLIDE	1
795	WR30X10051	SUPPORTOR,DIVIDER	2
801	WR55X10339	BOARD ASM MAIN CONTROL	1
802	WR55X10340	BRD ASM TEMP	1
806	WR17X11586	DOOR BIN	1
807	WR71X10532	DOOR BIN	4
810	WR07X10080	P.T.C RELAY	1
811	WR08X10048	OVER LOAD	1
812	WR84X10055	CONDENSER FAN MOTOR	1
813	WR87X10097	COMP. REPL. KIT	1
814	WR60X10148	FAN CONDENSER ASS'Y	1
820	IM6	IM KIT- IM6	1
821	WR62X10040	CAPACITOR	1
822	WR17X11607	FILTER ASSEMBLY,HEAD	1
821	WR62X0079	CAPACITOR	1
823	WR57X10049	WATER VALVE	1
824	WR02X11712	TUBE,INJECT	1
825	WR02X11711	GUIDE,WATER	1
823	WR57X10033	WATER VALVE	1
826	WR50X10042	DEFROST HEATER	1
827	WR02X11710	HOLDER	5
828	WR02X11709	BAND(MECH)	4
829	WR02X11708	COVER,TUBE	1
830	WR02X11713	COVER,FILTER(LOWER)	1
832	WR02X11714	COVER,FILTER(UPPER)	1
833	GSWF	WATER FILTER CATRIDG	1
1730	WR23X10300	POWER CORD	1
623	WR02X11699	SOCKET ASSEMBLY,LAMP(F)	1
624	WR02X11700	SOCKET ASSEMBLY,LAMP(R)	1
625	WR50X10050	THERMODISC FF	1
636	WR23X10341	SWITCH LIGHT FZ	1
637	WR23X10342	SWITCH LIGHT FF	1
638	WR02X11661	COVER LAMP FF	1
639	WR02X11658	COVER LAMP FZ	1
714	WR30X10048	TRAY DRIP	1

Warranty Information

Refrigerator Warranty. (For customers in the United States)



All warranty service provided by our Factory Service Centers, or an authorized Customer Care® technician. To schedule service, on-line, 24 hours a day, visit us at GEAppliances.com, or call 800.GE.CARES (800.432.2737).

For The Period Of: **GE Will Replace:**

One Year From the date of the original purchase	Any part of the refrigerator which fails due to a defect in materials or workmanship. During this full one-year warranty , GE will also provide, free of charge , all labor and in-home service to replace the defective part.
Five Years From the date of the original purchase	Any part of the sealed refrigerating system (the compressor, condenser, evaporator and all connecting tubing) which fails due to a defect in materials or workmanship. During this full five-year sealed refrigerating system warranty , GE will also provide, free of charge , all labor and in-home service to replace the defective part in the sealed refrigerating system.
Thirty Days From the original purchase date of the refrigerator	Any part of the water filter cartridge which fails due to a defect in materials or workmanship. During this limited thirty-day warranty , GE will also provide, free of charge , a replacement water filter cartridge.

What GE Will Not Cover:

Service trips to your home to teach you how to use the product.	Replacement of the water filter cartridge due to water pressure that is outside the specified operating range or due to excessive sediment in the water supply.
Improper installation, delivery or maintenance.	Replacement of the light bulbs or water filter cartridge other than as noted above.
Failure of the product if it is abused, misused, or used for other than the intended purpose or used commercially.	Damage to the product caused by accident, fire, floods or acts of God.
Loss of food due to spoilage.	Incidental or consequential damage caused by possible defects with this appliance.
Replacement of house fuses or resetting of circuit breakers.	
Damage caused after delivery.	

This warranty is extended to the original purchaser and any succeeding owner for products purchased for home use within the USA. In Alaska, the warranty excludes the cost of shipping or service calls to your home.

Some states do not allow the exclusion or limitation of incidental or consequential damages. This warranty gives you specific legal rights, and you may also have other rights which vary from state to state. To know what your legal rights are, consult your local or state consumer affairs office or your state's Attorney General.

Warrantor: General Electric Company, Louisville, KY 40225