

**SEARS**

DEPT. 731A

## TECHNICAL FLASH

DISTRICT MANAGER  
CENTRAL MANAGER  
BRANCH MANAGER  
CALL CENTRE MANAGER  
PARTS MANAGER

T. F. 46-89  
JUNE 2001

LORNE DIVELL - DEPARTMENT 731A

DIVISION 46

SOURCE L.G.S. 501

## SERVICE INFORMATION

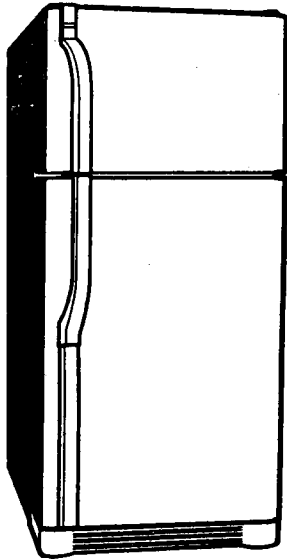
**L.G.S. (COLDSPOT ) REFRIGERATOR  
MODEL : 66812**

**NOTE: FOR PARTS ORDERING USE DIVISION 46 SOURCE 501**



# REFRIGERATOR SERVICE MANUAL

**CAUTION**  
BEFORE SERVICING THE UNIT, READ THE "SAFETY  
PRECAUTIONS" IN THIS MANUAL.



**MODEL: 46 66812**

**COLOR: SUPER WHITE**

# CONTENTS

---

SAFETY PRECAUTIONS .....	2
SERVICING PRECAUTIONS .....	3
SPECIFICATIONS .....	4
PARTS IDENTIFICATION .....	5
DISASSEMBLY .....	6-7
DOOR .....	6
DOOR SWITCH .....	6
THERMOSTAT .....	6
FAN AND FAN MOTOR .....	7
DEF' CONTROL ASM .....	7
LAMP .....	7
CONTROL BOX-R .....	7
ADJUSTMENT .....	8
COMPRESSOR .....	8
PTC-STARTER .....	8
OLP (OVERLOAD PROTECTOR) .....	9
CIRCUIT DIAGRAM .....	9
TROUBLESHOOTING .....	10-15
COMPRESSOR AND ELECTRIC COMPONENTS .....	10
PTC AND OLP .....	11
DEFROST TIMER .....	11
ANOTHER ELECTRIC COMPONENT .....	12
SERVICE DIAGNOSIS CHART .....	13
REFRIGERATING CYCLE .....	14-15
EXPLODED VIEW .....	16-18
REPLACEMENT PARTS LIST .....	19-

## SAFETY PRECAUTIONS

---

Please read the following instructions before servicing your refrigerator.

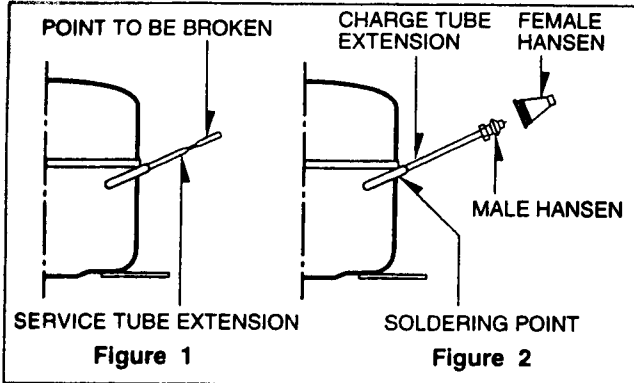
1. Check the refrigerator for current leakage.
2. To prevent electric shock, unplug before servicing.
3. Always check line voltage and amperage.
4. If you use any kind of appliance, check regular current, voltage and capacity.
5. Don't touch metal products in the freezer with wet hands. This may cause frostbite.
6. Prevent water from following onto electric elements in the mechanical parts.
7. Close the top door before opening the bottom door. Otherwise, you might hit your head when you stand up.
8. When tilting the refrigerator, remove any materials on the refrigerator, especially the thin plates(ex. Glass shelf or books.)
9. When servicing the evaporator, wear cotton gloves. This is to prevent injuries from the sharp evaporator fins.
10. Leave the disassembly of the refrigerating cycle to a specialized service center. The gas inside the circuit may pollute the environment.

# SERVICING PRECAUTIONS

## AIR RECHARGING IN COMPRESSOR

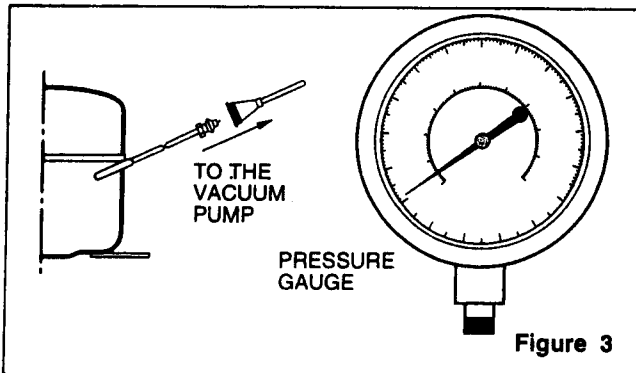
Test the refrigeration system connecting it electrically before refilling operation. It is necessary to ascertain the function of the motor-compressor and identify the defects immediately. If defects have been found, empty the old system of possible R-134a residue by breaking off the end of the extension piece at its narrow point. (Figure 1)

Replace the filter and any damaged components. Unsolder and pull off the piece remaining inside the service tube and then attach an complete extension with male Hansen and at last, solder it to the same tube again. (Figure 2)



It is necessary to execute the soldering operation with valve open so that the fumes caused by oil residue can come out freely without blowholes between two tubes during the heating the of the point to be soldered.

The extension fitted with the male Hansen is connected to the female fitting of the vacuum pump tube. (Figure 3)

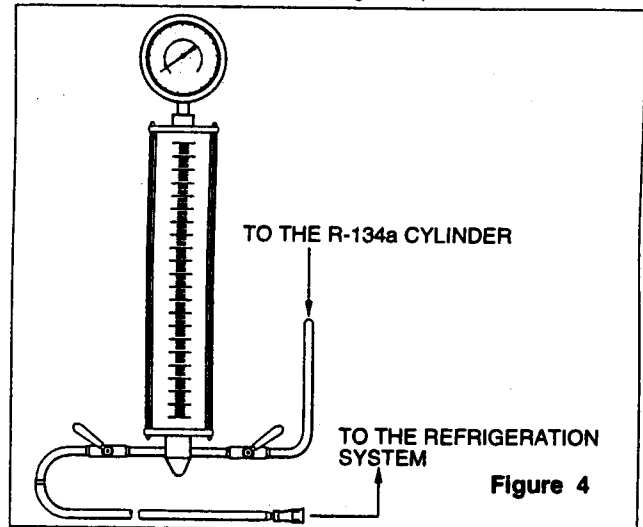


Air evacuating from the system begins as soon as the pump starts. The refrigeration system must be kept under vacuum until the reading on the low-pressure gauge indicates vacuum (0 absolute, -1 atm., -760 mm hg) in any case it is advisable to keep the pump running for about 30 minutes. (Figure 3)

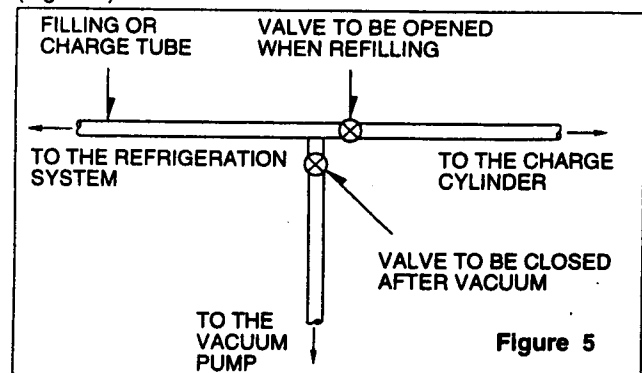
In case that a considerable leakage occurs it will be necessary to stop the vacuum pump and to add a small quantity of Freon to the system, if vacuum should not be obtained (pressure gauge can't fall to 1 atmosphere), start the refrigeration unit and find the leakage with the special leak-finder. When the defective soldering point is visible, re-do it after opening the extension tube valve and reestablishing the normal outside pressure inside the group.

Because the melted alloy is sucked into the tubes and block them, the pressure must be rebalanced when vacuum is in the system in soldering. As soon as the

vacuum operation is over, add the quantity in grams of R-134a to the refrigeration system. Remember that every system has an exact quantity of R-134a with a tolerance of  $\pm 5$  grams that can be added. (Figure 4)



Before performing this operation (if the vacuum pump and refilling cylinder are connected), make sure that the valve placed between the vacuum pump and the refilling tube are closed in order to keep the Freon for addition to the system. (Figure 5)



In addition, check the graduated scale on the cylinder for the quantity of R-134a to be added, for example, if we have 750 grams of Freon in the cylinder and must add 140 grams to the group, this amount will be reached when R-134a has dropped to 610 grams, remembering that the indicator shows a lower limit of meniscus. Do this after choosing the scale corresponding to the gas pressure different scales reported as the same gas pressure indicated by the pressure gauge on the top of the column. To make R-134a flow into the system, open the valve placed at the base of the cylinder and connected to the filling tube. The amount of Freon cannot be added to the system all at once because it may cause a blocking of motor-compressor. Therefore, proceed by adding the original quantity of about 20-30 grams and close the valve immediately.

The pressure rises and the motor compressor must start sucking the gas and lowering the pressure again. Regulate the valve again, maintaining the same manner until reaching to the quantity of R-134a established for the system being charged. When the system is running, the suction pressure must be stabilized between 0.30 to 0.6 (0.10 to 0.4) atmosphere.

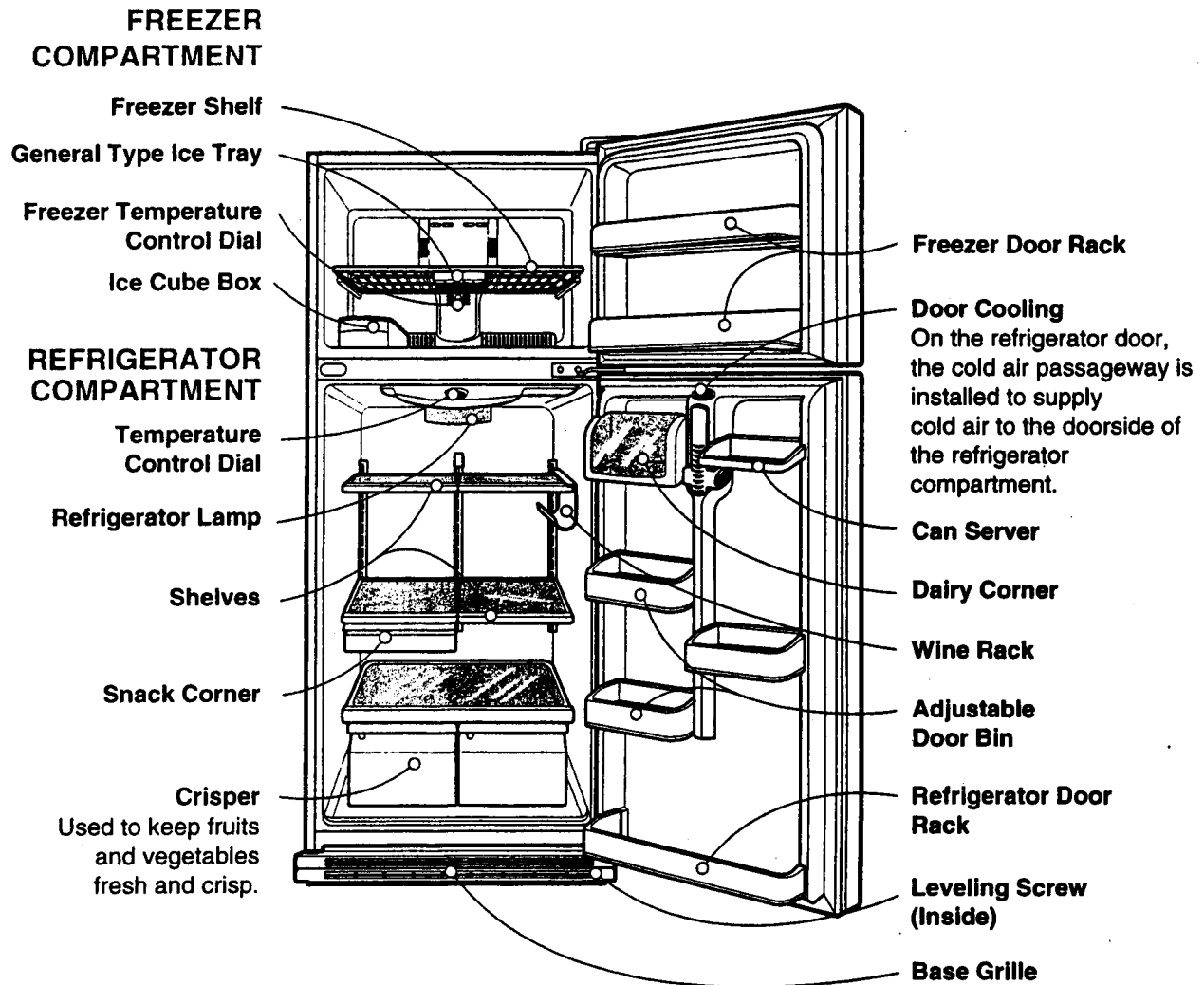
# 1. SPECIFICATIONS

Ref. No.: 46 66812

ITEMS	SPECIFICATIONS
DOOR DESIGN	Side Rounded
DIMENSIONS (mm)	750x723x1732(WxDxH)
NET WEIGHT (kg)	90
COOLING SYSTEM	Fan Cooling
TEMPERATURE CONTROL	Knob Dial
DEFROSTING SYSTEM	Full Automatic Heater Defrost With a Timer
DOOR FINISH	Embossed Metal
HANDLE TYPE	Bar
INNER CASE	ABS Resin
INSULATION	Polyurethane Foam

ITEMS	SPECIFICATIONS
VEGETABLE TRAY	Transparent Drawer Type
COMPRESSOR	PTC Starting Type
EVAPORATOR	Fin Tube Type
CONDENSER	Wire Condenser
REFRIGERANT	R-134a (140 g)
LUBRICATING OIL	Freol @ 15G (310 cc)
DEFROSTING DEVICE	SHEATH HEATER
LAMP	REFRIGERATOR
	40 W

## 2. PARTS IDENTIFICATION

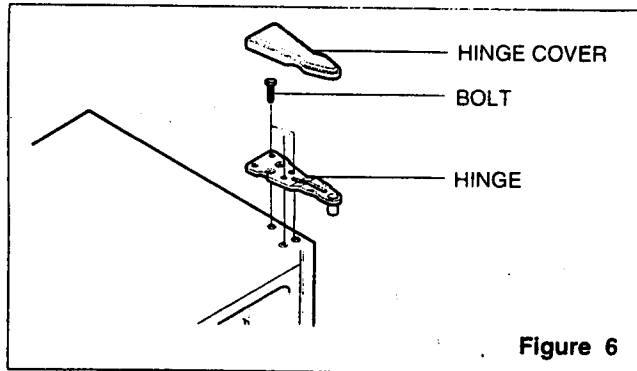


# 3. DISASSEMBLY

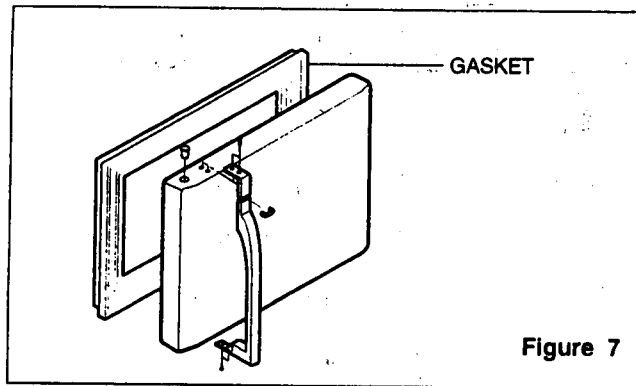
## 3-1 DOOR

### ● Freezer Door

1. Remove the hinge cover by pulling it upwards.
2. Loosen hexagonal bolts fixing the upper hinge to the body and lift the freezer door.

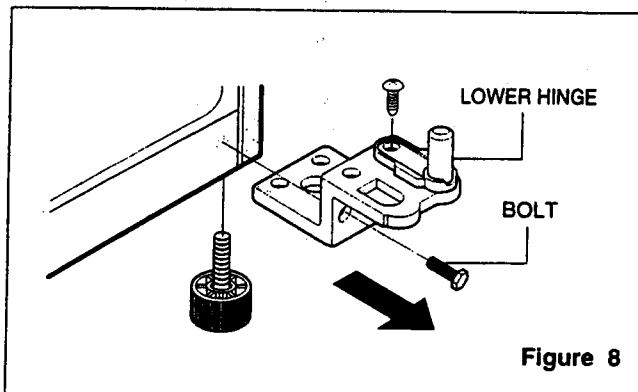


3. Pull out the door gasket to remove from the door foam Ass'y.



### ● Refrigerator Door

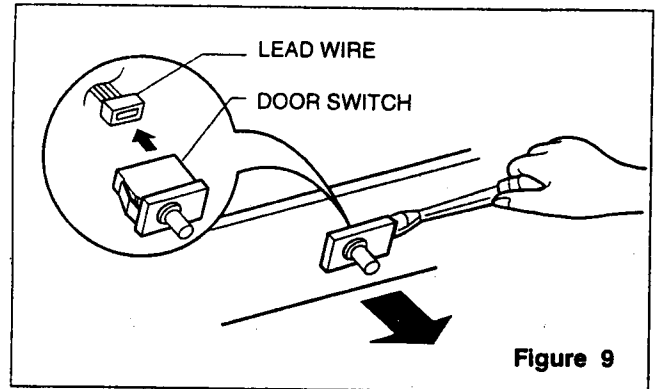
1. Loosen hexagonal bolts fixing the lower hinge to the body to remove the refrigerator door only.



2. Pull out the door gasket to remove from the door foam Ass'y.

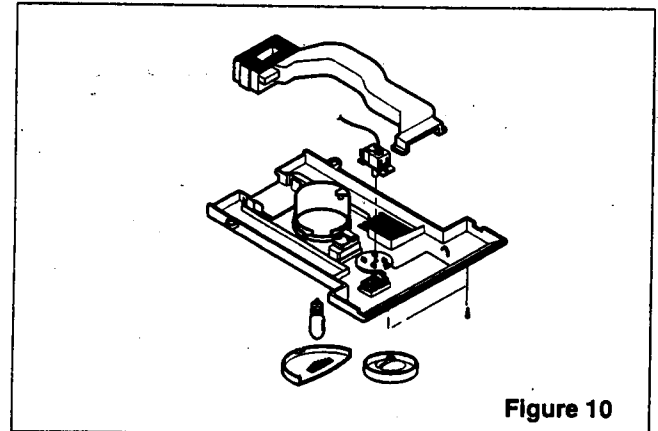
## 3-2 DOOR SWITCH

1. To remove the door switch, pull out it with a '-' type driver as shown in (figure 9).
2. Disconnect the lead wire from the switch.



## 3-3 THERMOSTAT

1. Remove Control Box-F by loosening 2 screw fixed to ceiling of Refrigerator compartment (Figure 10)
2. Separate the thermostat and dial knob F.
3. Remove the thermostat by disconnecting the lead wire.



### 3-4 FAN AND FAN MOTOR

1. Remove the freezer shelf.
2. Remove the Grille by pulling it out and by loosening a screw.
3. Remove the Fan Motor Assy by loosening 4 screws and disassemble the shroud.
4. Pull out the fan and, separate the Fan Motor, Bracket.

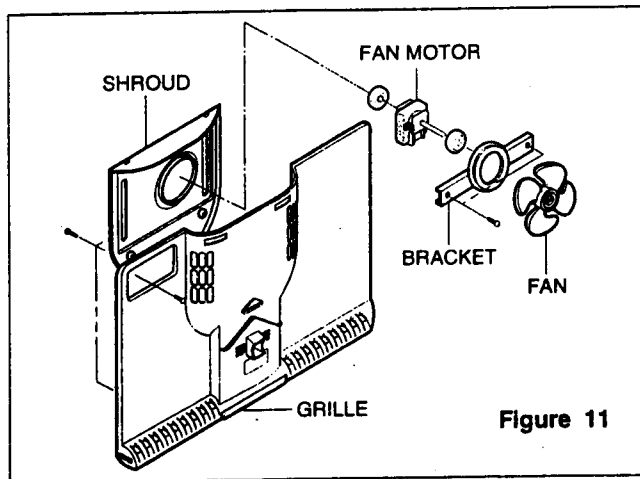


Figure 11

### 3-5 DEF' CONTROL ASSY

Def control Assy consists of Defrost Thermostat and FUSE-M. Defrost Thermostat functions to defrost automatically and it is attached to metal side of the Evaporator and senses Temp.

Fuse-M is a kind of safety device for preventing overheating of the Heater when defrosting.

At the temperature of 77°C, it stops the emission of heat from the Heater.

1. Pull out the Grille Ass'y.
2. Separate the connector connected with the Def Control Assy and replace the Def Control Assy after cutting the Tie Wrap. (Figure 13)

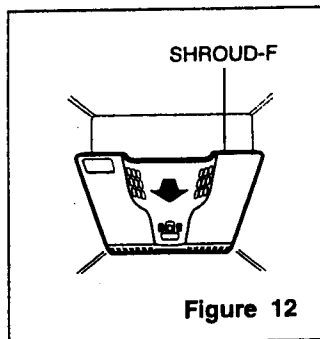


Figure 12

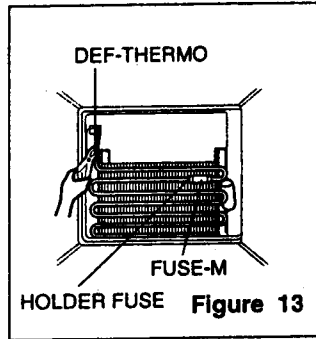


Figure 13

### 3-6 REFRIGERATOR LAMP

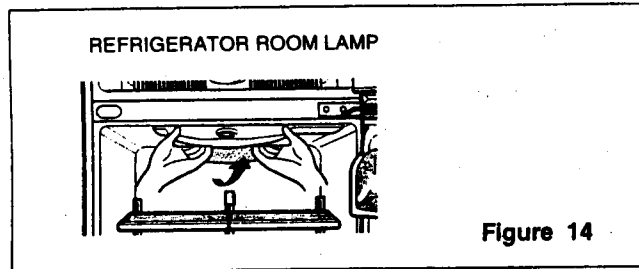


Figure 14

1. Unplug the power cord from the outlet.
2. Remove refrigerator shelves.
3. Upper Refrigerator Lamp.  
Release the hooks on both ends of the lamp shield and pull the shield downward to remove it.
4. Turn the lamp counterclockwise.
5. Assemble in reverse order of disassembly. Replacement bulb must be the same specification as original. (Max 40 W)

### 3-7 CONTROL BOX-R

1. First, remove all shelves in the refrigerator and Control Box-R by loosening 2 screw.

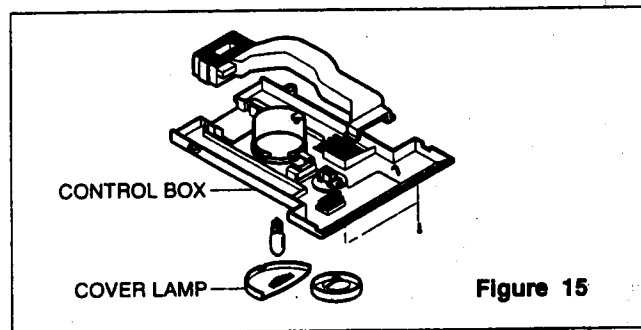


Figure 15

2. Remove the Control Box-R by pulling it downward.
3. Disconnect the L/wire on the right position and separate timer, thermostat, Lamp socket, etc.



# 4. ADJUSTMENT

## 4-1 COMPRESSOR

### 4-1-1 Role

The compressor intakes low temperature and low pressure gas evaporated from Evaporator of the Refrigerator, and condenses this gas to high temperature and high pressure gas, and then plays delivering role to Condenser.

### 4-1-2 Composition

The Compressor is Composed of Compressor Apparatus compressing gas, Compressor Motor moving Compressor Apparatus and Case protecting Compressor Apparatus and Motor. There are PTC-Starter, and Over Load Protector (OLP) in the Compressor outside. On the other hand, because the Compressor consists of 1/1000mm processing precision components and is sealed after production in absence of dust or humidity, deal and repair with care.

### 4-1-3 Note for Usage

- (1) Be careful not to allow over-voltage and over-current.
- (2) No Strike  
If applying forcible power or strike (dropping or careless dealing), poor operation and noise may occur.
- (3) Use proper electric components appropriate to the Compressor.
- (4) Note to Keep Compressor.  
If Compressor gets wet in the rain and rust in the pin of Hermetic Terminal, the result may be poor operation and poor contact may cause.
- (5) Be careful that dust, humidity, and flux welding don't inflow in the Compressor inside in replacing the Compressor. Dust, humidity, and flux due to welding which inflows to Cylinder may cause lockage and noise.

## 4-2 PTC-STARTER

### 4-2-1 Composition of PTC-Starter

- (1) PTC (Positive Temperature Coefficient) is a no-contact semiconductor starting device which uses ceramic material and this material consists of  $BaTiO_3$ .
- (2) The higher the temperature is, the higher becomes the resistance value. These features are used as starting device for the Motor.

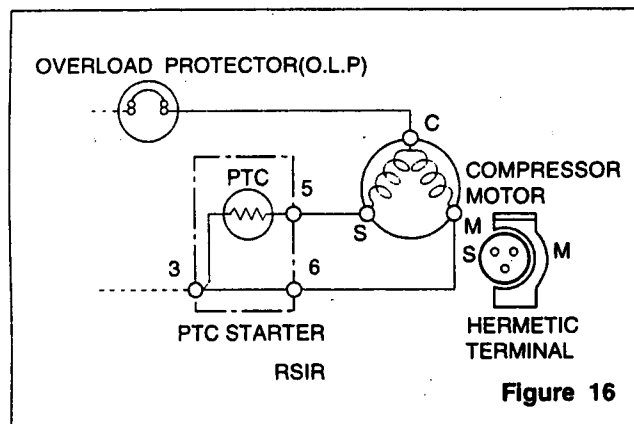
### 4-2-2 Role of PTC-Starter

- (1) PTC is attached to Hermetic Compressor used for Refrigerator, Show Case and starts Motor.
- (2) Compressor for household refrigerator applies to single-phase induction Motor.

For normal operation of the single-phase induction motor, in the starting operation flows in both main coil and sub-coil. After the starting is over, the current in subcoil is cut off. The proper features of PTC play all the above roles. So, PTC is used as a motor starting device.

### 4-2-3 PTC-Applied Circuit Diagram

● According to Starting Method for the Motor



### 4-2-4 Motor Restarting and PTC Cooling

- (1) For restarting after power off during normal Compressor Motor operation, plug the power cord after 5 min. for pressure balance of Refrigerating Cycle and PTC cooling.
- (2) During normal operation of the Compressor Motor, PTC elements generate heat continuously. Therefore, if PTC isn't cooled for a while after the power has been shut off, Motor can't operate again.

### 4-2-5 Relation of PTC-Starter and OLP

- (1) If the power is off during operation of Compressor and the power is on before the PTC is cooled, (instant shut-off within 2 min. or reconnect a power plug due to misconnecting), the PTC isn't cooled and a resistance value grows. As a result, current can't flow to the sub-coil and the Motor can't operate and the OLP operates by flowing over current in only in the main-coil.
- (2) While the OLP repeats on and off operation about 3-5 times, PTC is cooled and Compressor Motor performs normal operation.  
If OLP doesn't operate when PTC is not cooled, Compressor Motor is worn away and causes circuit-short and fire. Therefore, use a properly fixed OLP without fail.

### 4-2-6 Note to Use PTC-Starter

- (1) Be careful not to allow over-voltage and over-current.
- (2) No Strike  
Don't apply a forcible power or strike.
- (3) Keep apart from any liquid.  
If liquid such as oil or water away enter the PTC, PTC materials it may break due to insulation breakdown of the material itself.
- (4) Don't change PTC at your convenience.  
Don't disassemble PTC and mold. If the exterior to the PTC-starter is damaged, resistance value is altered and it may cause poor starting of the compressor motor may cause.
- (5) Use a properly fixed PTC.

## 4-3 OLP (OVERLOAD PROTECTOR)

### 4-3-1 Definition of OLP

- (1) OLP (OVERLOAD PROTECTOR) is attached to the Compressor and protects the Motor by cutting the current to the Motor if the temperature rises and activates the bimetal spring in the OLP.
- (2) When over-voltage flows to Compressor motor, the Bimetal works by heating the heater inside the OLP, and the OLP protects Motor by cutting off current which flows to the Compressor Motor.

### 4-3-2 Role of the OLP

- (1) The OLP is attached to the Hermetic Compressor used for the Refrigerator and Show Case and prevents the Motor Coil from being started in the Compressor.
- (2) Do not turn the Adjust Screw of the OLP in any way for normal operation of the OLP.

(Composition and connection Diagram of OLP)

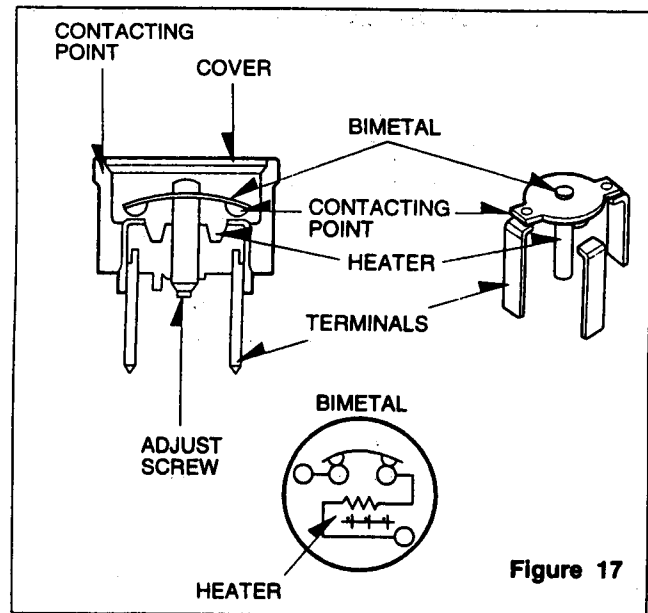
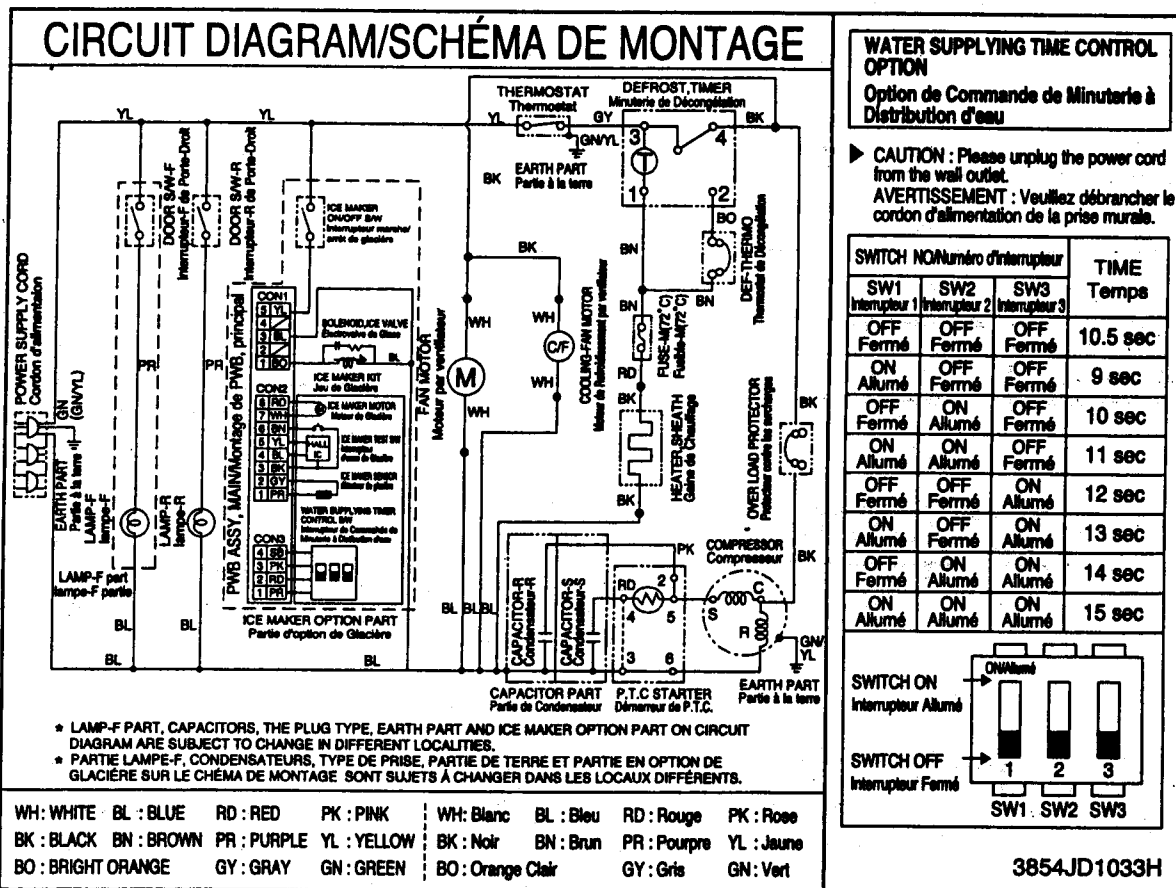


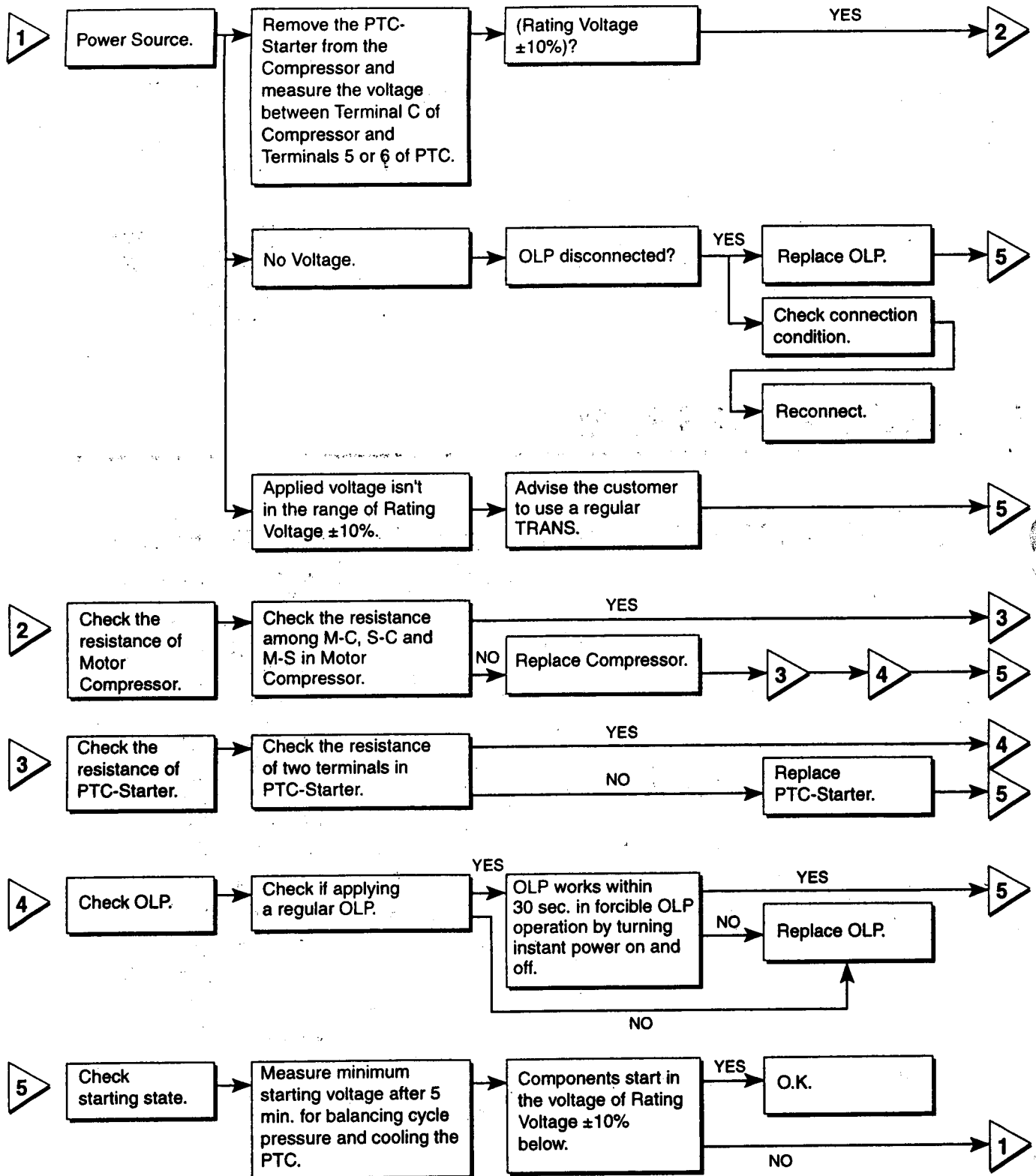
Figure 17

# 5. CIRCUIT DIAGRAM



# 6. TROUBLESHOOTING

## 6-1 COMPRESSOR AND ELECTRIC COMPONENTS



## 6-2 PTC AND OLP

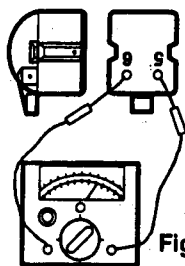
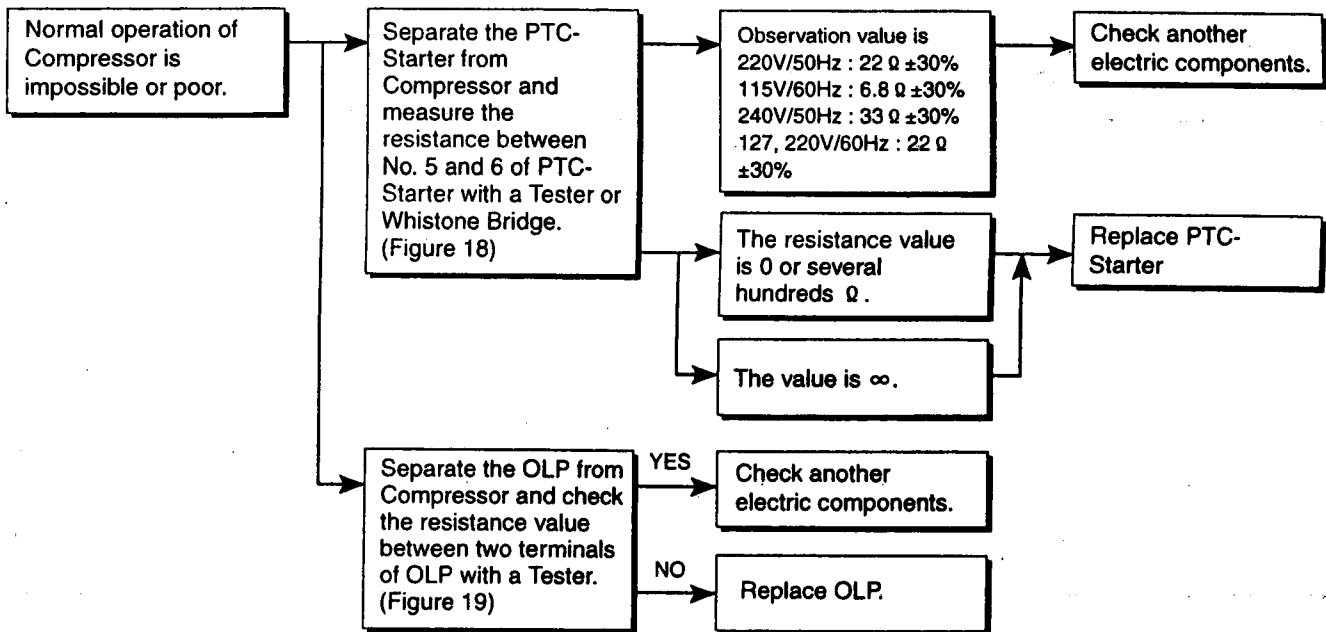


Figure 18

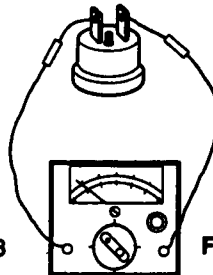


Figure 19

## 6-3 DEFROST TIMER

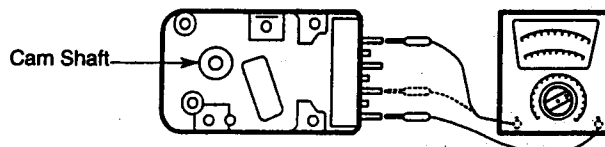
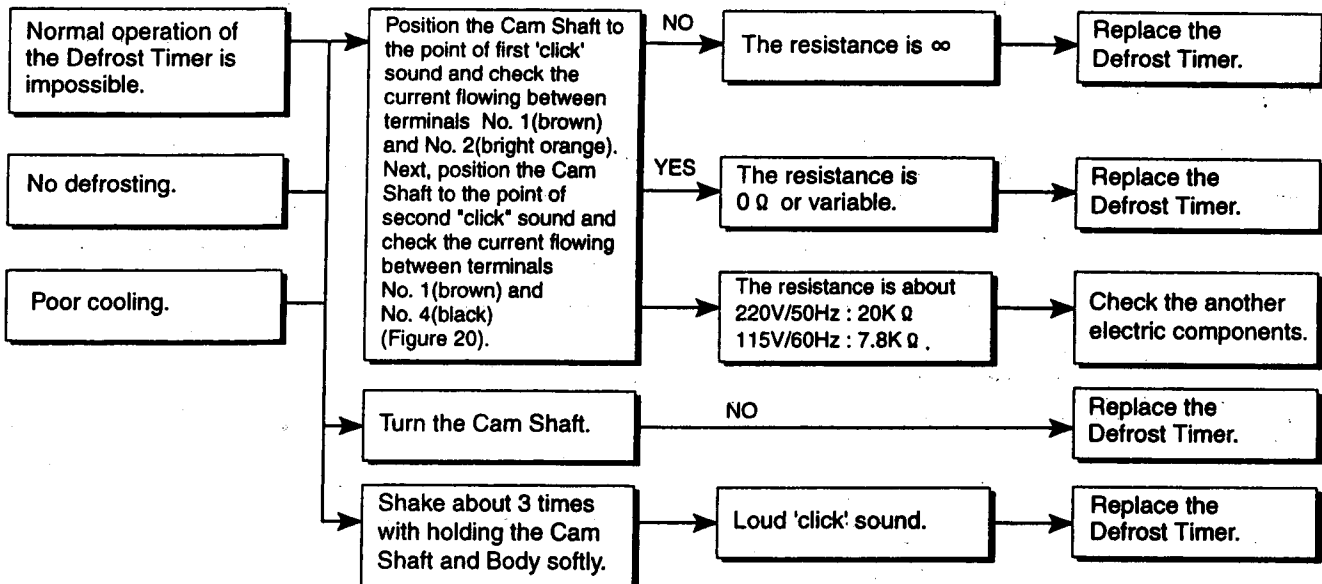
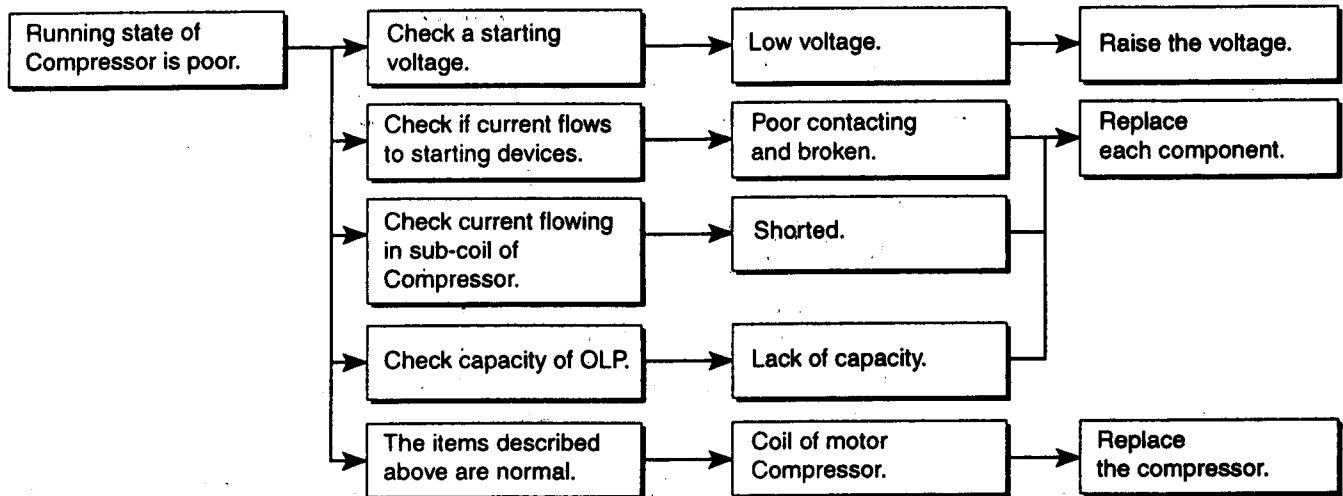
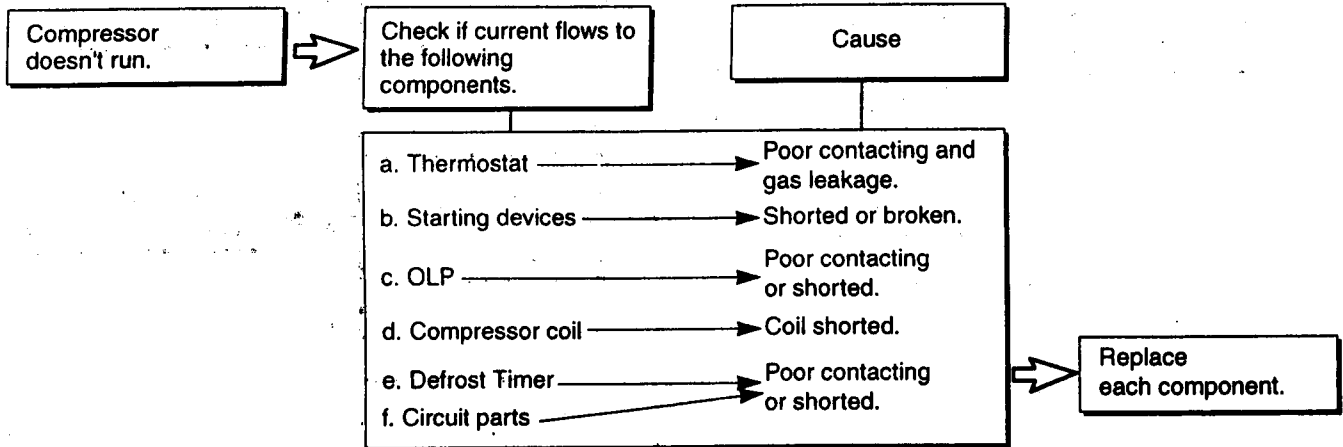


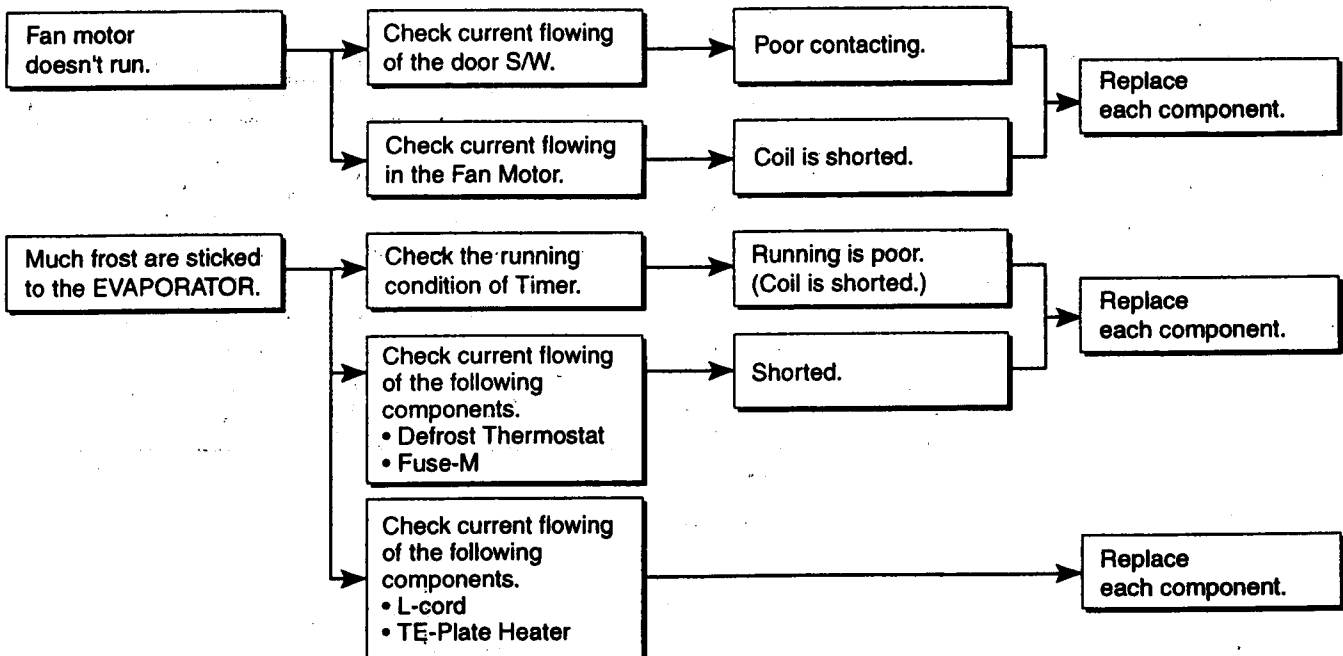
Figure 20

## 6-4 ANOTHER ELECTRIC COMPONENTS

### ▼ Cooling is impossible



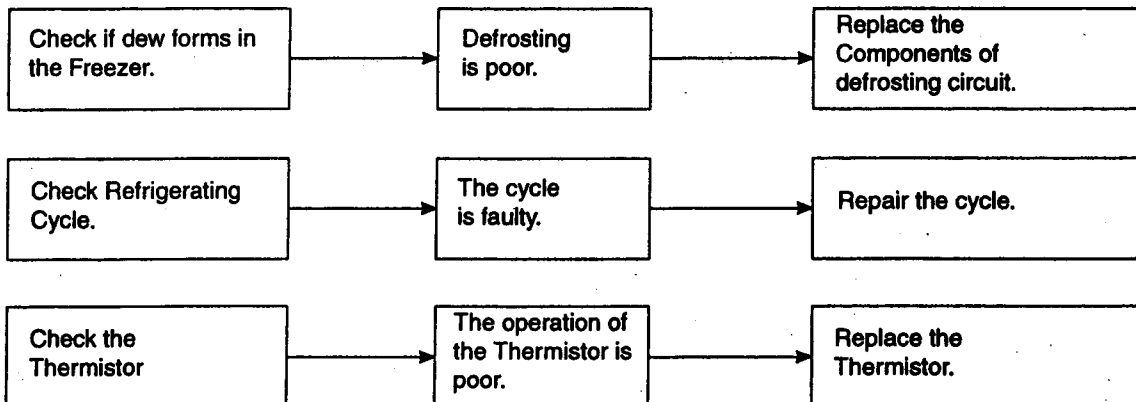
### ▼ Cooling ability is poor



## 6-4 SERVICE DIAGNOSIS CHART

COMPLAINT	POINTS TO BE CHECKED	REMEDY
Cooling is impossible.	<ul style="list-style-type: none"> <li>• Is the power cord unplugged from the outlet?</li> <li>• Check if the power S/W is set to OFF.</li> <li>• Check if the fuse of power S/W is shorted.</li> <li>• Measure the voltage of power outlet.</li> </ul>	<ul style="list-style-type: none"> <li>• Plug to the outlet.</li> <li>• Set the switch to ON.</li> <li>• Replace a regular fuse.</li> <li>• If voltage is low, wire newly.</li> </ul>
Cooling ability is poor.	<ul style="list-style-type: none"> <li>• Check if the set is placed close to wall.</li> <li>• Check if the set is placed close to stove, gas cooker and direct rays.</li> <li>• Is the ambient temperature high or the room door closed?</li> <li>• Check if put in is hot.</li> <li>• Did you open the door of the set too often or check if the door is closed up?</li> <li>• Check if the Control is set to WARM.</li> </ul>	<ul style="list-style-type: none"> <li>• Place the set with the space of about 10cm.</li> <li>• Place the set apart from these heat appliances.</li> <li>• Make the ambient temperature below.</li> <li>• Put in foods after cooled down.</li> <li>• Don't open the door too often and close it firmly.</li> <li>• Set the control to mid-position.</li> </ul>
Foods in the Refrigerator are frozen.	<ul style="list-style-type: none"> <li>• Is foods placed in cooling air outlet?</li> <li>• Check if the Dial is set to COLD.</li> <li>• Is the ambient temperature below 5°C?</li> </ul>	<ul style="list-style-type: none"> <li>• Place foods in high temperature section. (Front Part)</li> <li>• Set the dial to MID.</li> <li>• Set the dial to WARM.</li> </ul>
Dew or ice forms in the chamber of the set.	<ul style="list-style-type: none"> <li>• Is liquid food stored?</li> <li>• Check if put in is hot.</li> <li>• Did you open the door of the set too often or check if the door is closed up.</li> </ul>	<ul style="list-style-type: none"> <li>• Seal up liquid foods with wrap.</li> <li>• Put in foods after cooled down.</li> <li>• Don't open the door too often and close it firmly.</li> </ul>
Dew forms in the Exterior Case.	<ul style="list-style-type: none"> <li>• Check if ambient temperature and humidity of surrounding air are high.</li> <li>• Is there gap in the door packed?</li> </ul>	<ul style="list-style-type: none"> <li>• Wipe dew with a dry cloth. This occurrence is solved naturally in low temperature and humidity.</li> <li>• Fill up the gap.</li> </ul>
Abnormal noise generates.	<ul style="list-style-type: none"> <li>• Are the set positioned in a firm and even place?</li> <li>• Are any unnecessary objects set in the back side of the set?</li> <li>• Check if the Drip Tray is not firmly fixed.</li> <li>• Check if the cover of mechanical room in below and front side is taken out.</li> </ul>	<ul style="list-style-type: none"> <li>• Adjust the Adjust Screw, and position in the firm place.</li> <li>• Remove the objects.</li> <li>• Fix it firmly on the original position.</li> <li>• Place the cover at the original position.</li> </ul>
To close the door is not handy.	<ul style="list-style-type: none"> <li>• Check if the door packing is dirty with filth such as juice.</li> <li>• Is the set positioned in a firm and even place?</li> <li>• Is too much food putted in the set?</li> </ul>	<ul style="list-style-type: none"> <li>• Clean the door packing.</li> <li>• Position in the firm place and adjust the Adjust Screw.</li> <li>• Keep foods not to reach the door.</li> </ul>
Ice and foods smell unpleasant.	<ul style="list-style-type: none"> <li>• Check if the inside of the set is dirty.</li> <li>• Did you keep smelly foods without wrapping?</li> <li>• It smells of plastic.</li> </ul>	<ul style="list-style-type: none"> <li>• Clean the inside of the set.</li> <li>• Wrap smelly foods.</li> <li>• The new products smells of plastic, but it is eliminated after 1-2 weeks.</li> </ul>

• In addition to the items described left, refer to the followings to solve the complaint.



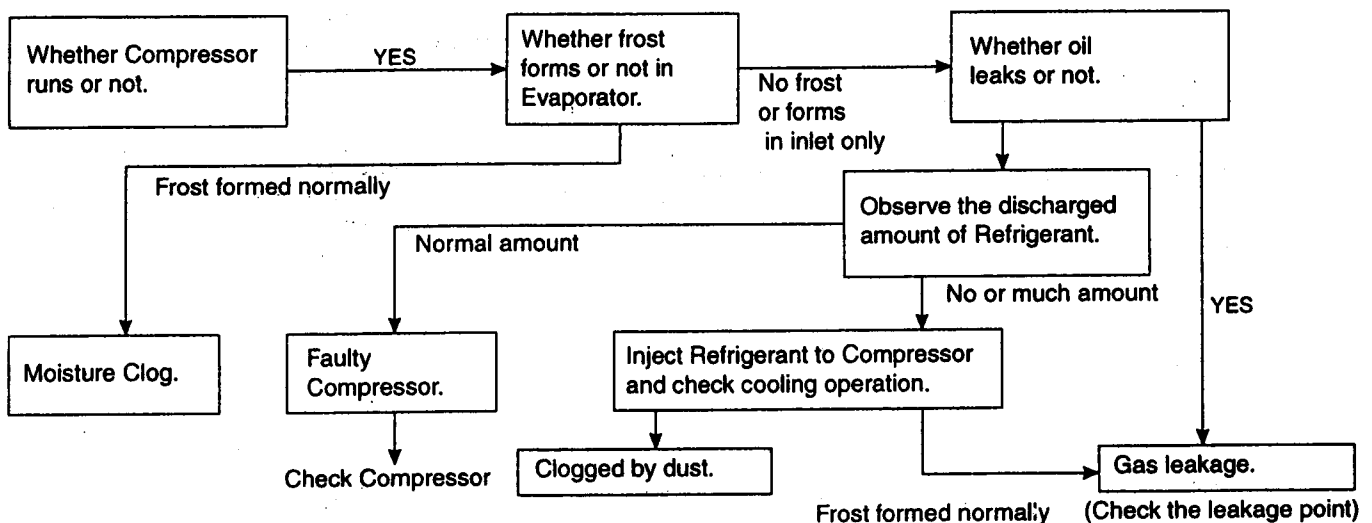
## 6-5 REFRIGERATING CYCLE

### ▼ Troubleshooting Chart

CAUSE		STATE OF THE SET	STATE OF THE EVAPORATOR	TEMPERATURE OF THE COMPRESSOR	REMARKS
LEAKAGE	PARTIAL LEAKAGE	Freezer room and Refrigerator don't cool normally.	Low flowing sound of Refrigerant is heard and frost forms in inlet only	A little high more than ambient temperature.	<ul style="list-style-type: none"> <li>Refrigerant level is low due to a leak.</li> <li>Normal cooling is possible when injecting of Refrigerant the regular amount.</li> </ul>
	WHOLE LEAKAGE	Freezer room and Refrigerator don't cool normally.	Flowing sound of Refrigerant is not heard and frost isn't formed.	Equal to ambient temperature.	<ul style="list-style-type: none"> <li>No discharging of Refrigerant.</li> <li>Normal cooling is possible when injecting of Refrigerant the regular amount.</li> </ul>
CLOGGED BY DUST	PARTIAL CLOG	Freeze room and Refrigerator don't cool normally.	Flowing sound of Refrigerant is heard and frost forms in inlet only.	A little high more than ambient temperature.	<ul style="list-style-type: none"> <li>Normal discharging of refrigerant.</li> <li>The capillary tube is faulty.</li> </ul>
	WHOLE CLOG	Freezer room and Refrigerator don't cool.	Flowing sound of Refrigerant is not heard and frost isn't formed.	Equal to ambient temperature.	<ul style="list-style-type: none"> <li>Normal discharging of Refrigerant.</li> </ul>
MOISTURE CLOG		Cooling operation stops periodically.	Flowing sound of Refrigerant is not heard and frost melts.	Low than ambient temperature	<ul style="list-style-type: none"> <li>Cooling operation restarts when heating the inlet of capillary tube.</li> </ul>
DEFECTIVE COMPRESSION	COMP-RESSION	Freezer and Refrigerator don't cool.	Low flowing sound of Refrigerant is heard and frost forms in inlet only.	A little high than ambient temperature.	<ul style="list-style-type: none"> <li>Low pressure at high side of compressor due to low refrigerant level.</li> </ul>
	NO COMP-RESSION	No compressing operation.	Flowing sound of Refrigerant is not heard and no frost.	Equal to ambient temperature.	<ul style="list-style-type: none"> <li>No pressure of high pressure part in the compressor.</li> </ul>

### ▼ Leakage Detection

- Observe discharging point of refrigerant which may be in the oil discharging part in the compressor and hole of evaporator.



▼ General Control of Refrigerating Cycle

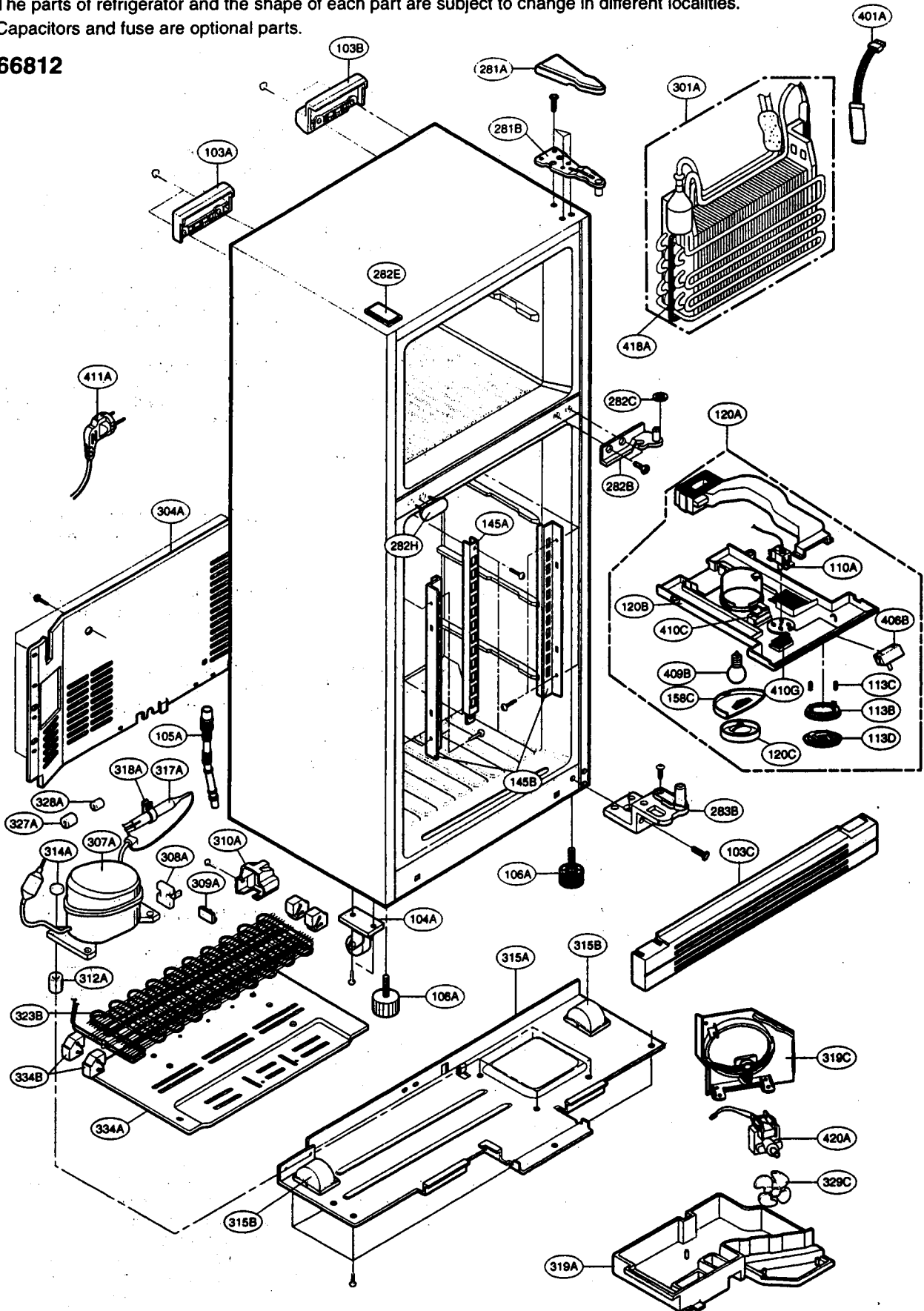
NO.	ITEMS	UNIT	STANDARDS	PURPOSES	REMARKS	
1	Pipe and piping system opening time	Min.	Pipe: within 1 hour. Comp: within 10 minutes. Drier: within 20 minutes.	To protect moisture penetration.	The opening time should be reduced to a half of the standards during rain and rainy seasons (the penetration of water into the pipe is dangerous).	
2	Welding	Nitrogen pressure	Weld under Nitrogen atmosphere. (N <sub>2</sub> pressure: 0.1~0.2 kg/cm <sup>2</sup> )	To protect oxide scale formation.	- Refer to repair note in each part. - R-134a refrigerant is more susceptible to leaks than R-12 and requires more care during welding. - Do not apply force to pipes before and after welding to protect pipe from cracking.	
3	N <sub>2</sub> sealed parts	Confirm N <sub>2</sub> leak	Confirm air leaking sounds when removing rubber cap. Sound: usable No sound: not usable	To protect moisture penetration.	- In case of evaporator parts, if it doesn't make sound when removing rubber cap, blow dry air or N <sub>2</sub> gas for more than 1 min and use the parts.	
4	Refrigeration Cycle	Evacuation time	Min.	More than 40 minutes	To remove moisture.	
		Vacuum degree	Torr	Below 0.03 (ref)		Note: Only applicable to the model equipped with reverse flow protect plate.
		Vacuum	EA	High and low pressure sides are evacuated at the same time for models above 200 l.		Vacuum efficiency can be improved by operating compressor during evacuation.
		Vacuum piping	EA	Use R-134a exclusive manifold.	To protect mixing of mineral and ester oils.	The rubber pipes for R-12 refrigerant shall be melted when they are used for R-134a refrigerant (causes of leak).
		Pipe coupler	EA	Use R-134a exclusive.	To protect R-12 refrigerant mixing.	
		Outlet (Socket)		R-134a exclusive.	"	
		Plug		R-134a exclusive.	"	
5	Refrigerant weighing	EA	Use R-134a exclusively. Weighing allowance: ±5g Note: Winter: -5g Summer: +5g	Do not mix with R-12 refrigerant.	- Do not weigh the refrigerant at too hot or too cold an area. (77°F[25°C] is adequate.) - Make Copper bombe Socket: 2SV Plug: 2PV R-134a Note: Do not burn O-ring (rubber) during welding.	
6	Drier replacement		- Use R-134a exclusively for R-134a refrigerator. - Use R-12 exclusively for R-12 refrigerator. - Replace drier whenever repairing refrigerator cycle piping.	To remove the moisture from pipe inside.		
7	Leak check		- Do not use soapy water for check. It may be sucked into the pipe by vacuum.	Defect refrigerant leak area.	- Check oil leak at refrigerant leak area. Use electronic leak detector if oil leak is not found. - The electronic leak detector is very sensitive to halogen gas in the air. It also can detect R-141b in urethane. Please practice, therefore, many times before use.	

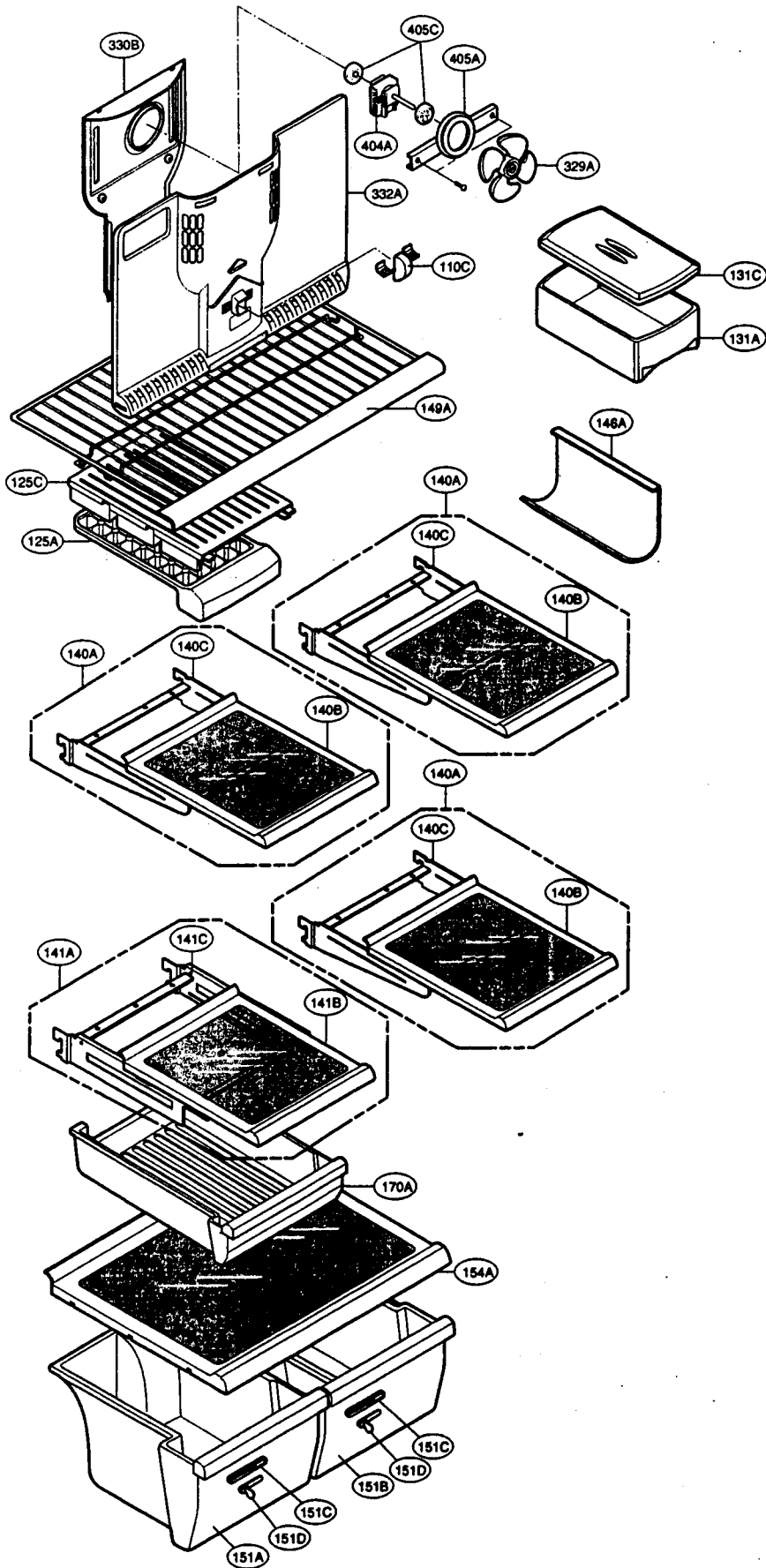


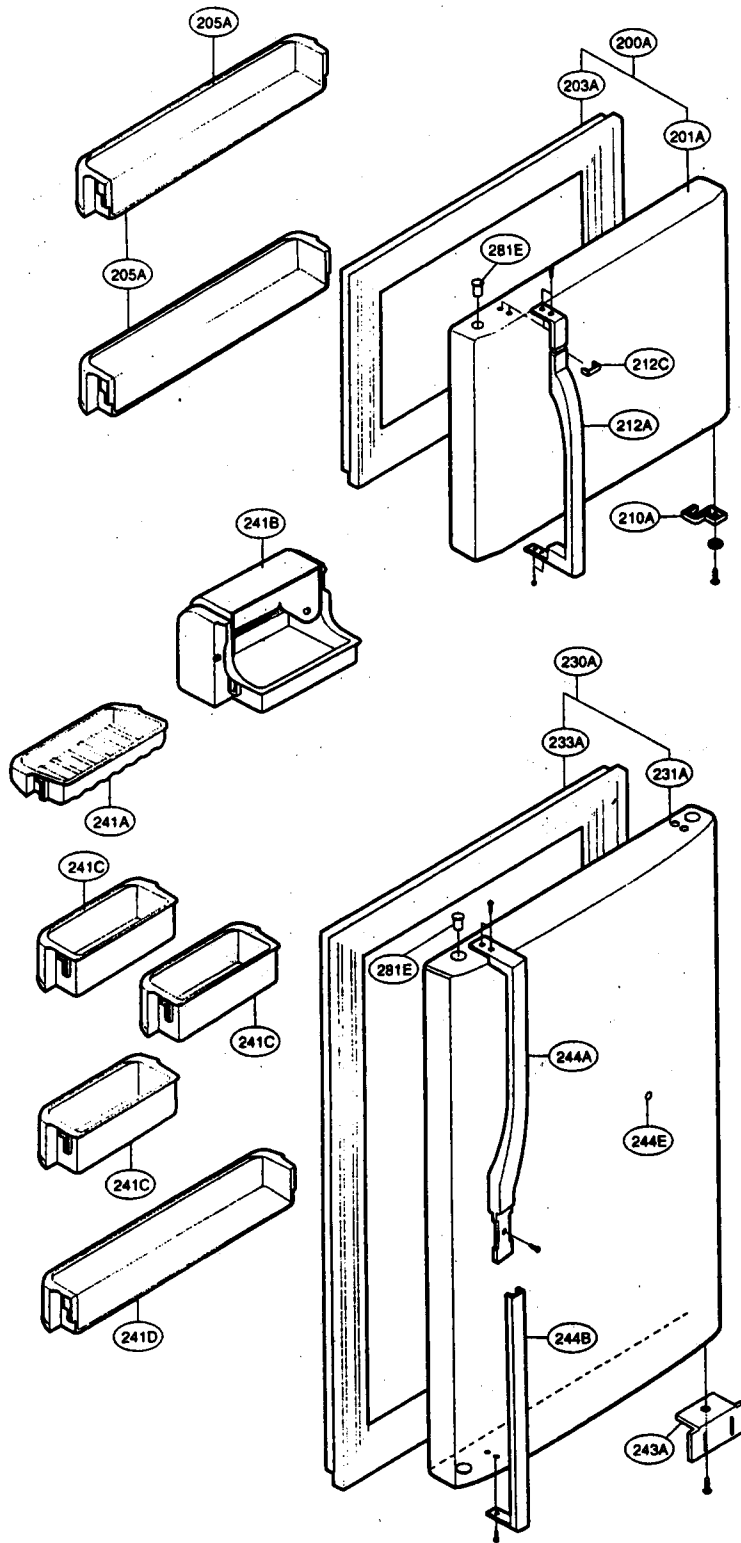
# 7. EXPLODED VIEW & REPLACEMENT PARTS LIST

- ▼ The parts of refrigerator and the shape of each part are subject to change in different localities.
- ▼ Capacitors and fuse are optional parts.

46 66812







# SERVICE PARTS LIST

S	AL	LOCA.NO	PART NO(LG)	DESCRIPTION	SPECIFICATION	REMARK
		103A	3650JA2003S	HANDLE,BACK		
		103B	3650JA2003T	HANDLE,BACK		
		103C	3551JA2066A	COVER ASSY,LOWER		
		104A	4441JA3001A	CASTER ASSY		
		105A	5250JA2009A	DRAIN,PIPE-Z		
		106A	4779JA2003B	LEG ASSY,ADJUST		
		110A	6930JB1007C	THERMOSTAT		
		110C	4940JD1007A	KNOB		
		113B	4974JA2033A	GUIDE		
		113C	4970JA3016A	SPRING		
		113D	4986JA2024A	GASKET		
		120A	4995JA1024A	CONTROL BOX ASSY,R		
		120B	4994JD1037A	CONTROL BOX,R		
		120C	4940JD1006A	KNOB		
		125A	3390JA1111A	TRAY,ICE		
		125C	3550JA1124A	COVER,TRAY		
		131A	5074JA3017D	BANK,ICE		
		131C	3550JA3069B	COVER,BANK ICE		
		140A	5027JA1018H	SHELF ASSY,R		
		140B	5027JA1017F	SHELF ASSY,R		
		140C	5027JA2037D	SHELF ASSY,NET		
		141A	5027JA1020H	SHELF ASSY,R		
		141B	5027JA1017F	SHELF ASSY,R		
		141C	5027JA2037H	SHELF ASSY,NET		
		145A	4930JA2032A	HOLDER,SHELF		
		145B	4930JA2031A	HOLDER,SHELF		
		146A	J469-00030A	RACK		
		149A	5026JA1106B	SHELF,F		
		151A	3391JA1036A	TRAY ASSY,VEGETABLE		
		151B	3391JA1036B	TRAY ASSY,VEGETABLE		
		151C	4940JA2012A	KNOB		
		151D	4940JA2011A	KNOB		
		154A	3551JA1027C	COVER ASSY,T/V		
		158C	3550JA2096A	COVER,LAMP		
		170A	3390JD1050D	TRAY,MEAT		
		200A	3581JA1045A	DOOR ASSY,F		
		201A	5433JA1056A	DOOR FOAM ASSY,F		
		203A	4987JA1024A	GASKET ASSY,DOOR		
		205A	5004JA1077A	BASKET,DOOR		
		210A	4620JA2011A	STOPPER,DOOR		
		212A	3650JA1083A	HANDLE,F		
		212C	3650JD1130A	HANDLE,PIECE		
		230A	3581JA1046G	DOOR ASSY,R		
		231A	5433JA1057G	DOOR FOAM ASSY,R		
		233A	4987JA1024B	GASKET ASSY,DOOR		
		241A	5004JA1080A	BASKET,DOOR		
		241B	5005JA1001A	BASKET ASSY,DOOR		
		241C	5004JA1079A	BASKET,DOOR		
		241D	5004JA1082A	BASKET,DOOR		
		243A	4620JA3010B	STOPPER		

S	AL	LOCA.NO	PART NO(LG)	DESCRIPTION	SPECIFICATION	REMARK
		244A	3650JA1084A	HANDLE,R		
		244B	3650JA1085A	HANDLE,DECO		
		244E	5006JA3055A	CAP		
		281A	3550JA2132A	COVER,HINGE		
		281B	4775JA2031B	HINGE ASSY,U		
		281E	5006JA3054A	CAP,HINGE		
		281E	5006JA3054A	CAP,HINGE		
		282B	4774JA2005A	HINGE ASSY,C		
		282C	1WPZJA3007A	WASHER,DRAWING		
		282E	5006JA2011H	CAP		
		282H	5006JA2020B	CAP,HINGE		
		283B	4775JA2026A	HINGE ASSY,L		
		301A	5421JA1032A	EVAPORATOR ASSY		
		304A	3550JA1117B	COVER,BACK-M/C		
		307A	2521C-B6282	RE-COMPRESSOR,ASSY	LA62LBCMC2 D DREF	
A		308A	6748C-0004D	P.T.C,ASSY	P6R8MD	
		309A	6750C-0004M	O.L.P	4TM414KFBYY-520	
		310A	3550JA2087A	COVER,P.T.C		
		312A	5040JA3044A	RUBBER,SEAT		
		314A	4620JA3009A	STOPPER		
		315A	3103JA1015A	COMP BASE ASSY,STD		
A		315B	4580JA2002A	ROLLER		
		317A	5851JA2003B	DRIER		
		318A	J719-00006A	HOLDER,DRIER		
		319A	3390JA1115A	TRAY,DRIP		
		319C	4974JA1046A	GUIDE,FAN		
		323B	5403JA1026A	CONDENSER ASSY,WIRE		
		327A	4J04328A	RUBBER,DAMPING		
		328A	4J03020A	RUBBER,DAMPING		
		329A	J753-00011A	FAN ASSY		
		329C	5901JA1005B	FAN ASSY		
		330B	4998JA1010A	SHROUD,F		
		332A	3531JA1018D	GRILLE ASSY,FAN		
		334A	3550JA2095A	COVER		
		334B	5040JA3039A	RUBBER		
		401A	6615JB2003F	CONTROL ASSY,DEF		
		404A	4680JB1028B	MOTOR(MECH),FAN		
		405A	4810JA3007A	BRACKET,MOTOR		
		405C	J756-00008B	RUBBER,MOTOR-N		
		406B	6600JB1002K	SWITCH,DOOR		
		409B	6912JB2004C	LAMP,INCANDESCENT	125V 40W	
		410C	6914JB2001G	TIMER,DEF		
		410G	0CBZJB2001E	CAPACITOR[M/R]	250VAC 12UF	
		411A	6411JB1013B	POWER CORD ASSY		
		418A	5300JB1050R	HEATER,SHEATH	115V 270W	
		420A	4680JB1029A	MOTOR(MECH),FAN		