

## Technical Service Manual

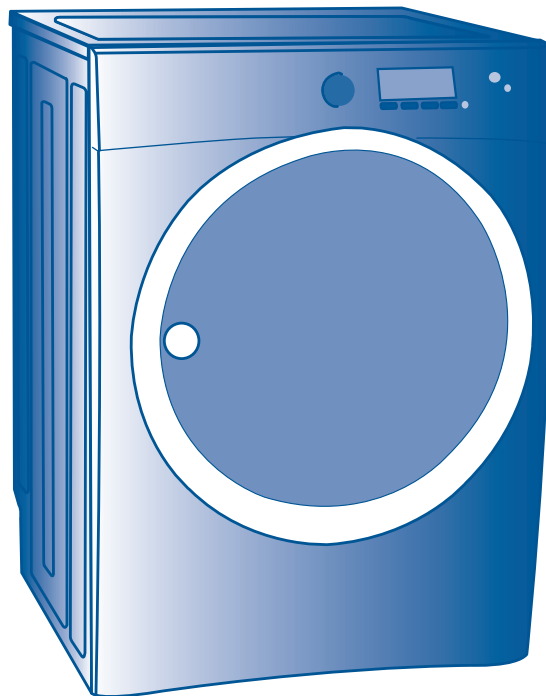
Wave-Touch™ & IQ-Touch™

Front-Load Dryer

Models

EIGD55H, EIED55H, EWED65H, EWGDS65H

EWMED65H & EWMGD65H



 **Electrolux**



# Section 1

## Basic Information

<b>Section 1 - Basic Information</b> .....	<b>1-1</b>	Matching Storage Pedestal .....	2-23
Table of Contents.....	1-2	Dryer Stacking Kit .....	2-23
Safe Servicing Practices .....	1-4	Dryer Stacking Instructions .....	2-24
Protect Children .....	1-4	Kit Components.....	2-24
Prevent Fire .....	1-5	Preparing to Stack.....	2-24
Product Specifications Wave-Touch™.....	1-6	Preparing Dryer for Stacking .....	2-24
Product Specifications IQ-Touch™ .....	1-6	Preparing Washer for Stacking .....	2-25
Serial Number Breakdown.....	1-6	Prepare Top Surface of Washer .....	2-25
Quick Reference Sheet .....	1-7	Stacking Dryer .....	2-25
Language of Laundry.....	1-8	Removing Stacked Dryer.....	2-26
<b>Section 2 - Installation Information</b> .....	<b>2-1</b>	<b>Section 3 - Electronic Control</b> .....	<b>3-1</b>
Important Safety Instructions .....	2-2	Control Panel (User Interface Layout)	
Safety Precautions.....	2-2	Wave-Touch™ .....	3-2
Tools and Materials Needed for Installation .....	2-3	Selecting the Appropriate Cycle and Settings	
Dryer Installation Dimensions .....	2-4	Overview .....	3-2
Exhaust System Requirements .....	2-5	Wave-Touch™ Dryer Options Chart .....	3-3
Install Male Fittings in Correct Direction .....	2-6	Wave-Touch™ Dryer Options Chart	
Exhaust Direction.....	2-6	(Steam Model) .....	3-4
Manufactured or Mobile Home Installation .....	2-6	Control Panel (User Interface Layout)	
Clearance Requirements .....	2-7	IQ-Touch™.....	3-5
Installation in a Recess or Closet .....	2-7	Selecting the Appropriate Cycle and Settings	
Electrical System Requirements .....	2-8	Overview .....	3-5
3-Wire Power Supply Cord Kit .....	2-8	IQ-Touch™ Dryer Options Chart .....	3-6
4-Wire Power Supply Cord Kit .....	2-8	Cycle Selection .....	3-7
Outlet Receptacle .....	2-8	Auto Dry Cycles .....	3-7
Electrical Requirements for Gas Dryer .....	2-8	Normal .....	3-7
Electrical Installation .....	2-9	Towels.....	3-7
For a Grounded, Cord-connected Dryer:		Mixed Load.....	3-8
(U.S.A. Electric Dryer) .....	2-9	Heavy Duty .....	3-8
For a Grounded, Cord-connected Dryer:		Bulky/ Bedding.....	3-8
(Canada Electric Dryer) .....	2-9	Casual.....	3-8
Gas Dryer.....	2-9	Active Wear .....	3-8
Electrical Connection (non-Canada) 3 Wire Cord ..	2-10	Delicate.....	3-8
Electrical Connection (non-Canada) 4 Wire Cord ..	2-11	Time Dry Cycles.....	3-8
Gas Supply Requirements.....	2-12	Time Dry .....	3-8
Gas Connection .....	2-12	Fast Dry .....	3-8
Water Connection (Steam Model Only) .....	2-13	Touch Up (non-steam models only) .....	3-8
General Installation .....	2-14	Perfect Steam (steam models only) .....	3-8
Wave-Touch™ Installation Cycle .....	2-15	My Favorites (Wave-Touch™) .....	3-9
IQ -Touch™ Installation Cycle .....	2-15	Drying Temperature .....	3-10
Reversing Door .....	2-16	Auto Dry .....	3-10
Preparing to Reverse Door Swing.....	2-16	Maximum Temp .....	3-10
Removing Trim Ring .....	2-16	High Temp .....	3-10
Removing Door from Hinge.....	2-16	Med High Temp .....	3-10
Removing Hinge from Front Panel .....	2-17	Medium Temp.....	3-10
Removing Door Lock from Front Panel.....	2-17	Med Low Temp.....	3-10
Reattaching Door Lock to Font Panel.....	2-18	Low Temp.....	3-10
Reattaching Hinge to Front Panel .....	2-18	Air Fluff Temp .....	3-10
Removing Striker Plate .....	2-19	Time Dry .....	3-10
Removing Latch Indicator .....	2-19	Options .....	3-11
Removing Hole Plug .....	2-20	Add Steam (steam models only) .....	3-11
Reinserting Latch Indicator .....	2-20	Extended Tumble .....	3-11
Reattaching Striker Plate.....	2-21	Wrinkle Release (IQ-Touch™).....	3-11
Reinserting Hole Plug .....	2-21	Wrinkle Release (Wave-Touch™ ) .....	3-11
Reattaching Door Assembly .....	2-21		
Reversing Trim Ring.....	2-22		
Reinstalling Trim Ring .....	2-22		
Reinstalling Trim Plug .....	2-22		
Accessories .....	2-23		

**Section 3 - Electronic Control**

Gentle Tumble .....	3-12
Delicate Heat .....	3-12
Sanitize .....	3-12
Chime .....	3-12
Delicate Heat .....	3-12
Damp Alert .....	3-12
Shrink Guard .....	3-12
User Interface Features .....	3-13
Save as Favorite .....	3-13
Set Prefs .....	3-13
User Guides .....	3-13
Stain Guides .....	3-13
Control Lock (Wave-Touch™) .....	3-13
Control Lock (IQ-Touch™) .....	3-13
My Favorites (Wave-Touch™) .....	3-13
Save as Favorite .....	3-14
Setting Preferences .....	3-15
Custom Mode .....	3-15
Install Cycle (Wave-Touch™) .....	3-16
Install Cycle (IQ -Touch™) .....	3-16
Reset (Wave-Touch™) .....	3-17
Reset (IQ-Touch™) .....	3-17
Contrast .....	3-17
Brightness .....	3-18
Volume .....	3-18
Language .....	3-18
Cycle Description .....	3-18
Status Display .....	3-18
Drum Light .....	3-18
Diagnostics and Error Codes .....	3-19
Reading Error Codes .....	3-19
To Clear Latest Stored Error Code .....	3-19
Exiting Diagnostic Mode .....	3-19
Diagnostic Mode .....	3-20
To Start the Diagnostic Mode .....	3-20
Error Code Chart .....	3-21
IQ-Touch™ Available Cycle Settings, Pre-Sets and Options Chart .....	3-23
Wave-Touch™ Available Cycle Settings, Pre-Sets and Options Chart .....	3-24
Wave-Touch™ with Steam, Available Cycle Settings, Pre-Sets and Options Chart .....	3-25

**Section 4- Component Teardown** ..... 4-1

Warnings and Cautions .....	4-2
Door Components .....	4-3
Door Trim Ring .....	4-3
Door Assembly .....	4-3
Latch Plate and Door Latch .....	4-4
Inner Door Glass .....	4-4
Door Latch Assembly .....	4-4
Latch Indicator .....	4-5
Door Strike .....	4-5
Outer Door Glass .....	4-5
Door Hinge .....	4-6
Lint Trap .....	4-6
Air Duct Cover .....	4-6
Top Panel .....	4-7
Console and User Interface .....	4-7

Front Panel .....	4-8
Door Switch .....	4-8
Control Assembly .....	4-9
Control Box Bracket .....	4-9
Interior Light .....	4-10
Top Rear Brace .....	4-10
Rear Panel .....	4-10
Inlet Thermistor .....	4-11
Moisture Sensing Bar .....	4-11
Belt Removal (Wave Touch™) .....	4-12
Belt Removal (IQ Touch™) .....	4-12
Front Inner Panel and Drum .....	4-12
Roller Assembly .....	4-13
Front Air Duct .....	4-13
Exhaust Thermal Limiter .....	4-14
Exhaust Tube .....	4-14
Outlet (Exhaust) Thermistor .....	4-14
Belt Tensioner (Wave Touch™) .....	4-15
Belt Tensioner (IQ Touch™) .....	4-15
Motor and Blower Assembly .....	4-16
Motor and Blower Assembly Separation .....	4-17
Drum Vane .....	4-18
Rear Heat Duct .....	4-18
Heat Shield .....	4-18
Electric Heater Function .....	4-19
Heater Assembly .....	4-19
Thermal Limiter and Safety Thermostat .....	4-19
Gas Heater Assembly Breakdown .....	4-20
Thermal Limiters .....	4-20
Gas Valve Wire Harness Connections .....	4-20
Gas Valve Coil .....	4-20
Manifold and Burner Assembly Breakdown .....	4-21
Combustion Tube .....	4-22

**Section 5- Troubleshooting** ..... 5-1

Troubleshooting Chart .....	5-2
Electrical Tests For Gas And Electric Dryers .....	5-4
Electrical Tests For Electric Dryers .....	5-5
Electrical Tests For Gas Dryers .....	5-6

**Section 6- Wiring Diagrams** ..... 6-1

Wiring Diagram Model EIED55H .....	6-2
Wiring Diagram Model EIGD55H .....	6-3
Wiring Diagram Model EWED65H .....	6-4
Wiring Diagram Model EWGD65H .....	6-5
Wiring Diagram Model EWMED65 .....	6-6
Wiring Diagram Model EWMGD65 .....	6-7

### Safe Servicing Practices

**Avoid personal injury and/or property damage by observing important Safe Servicing Practices. Following are some limited examples of safe practices:**

1. DO NOT attempt a product repair if you have any doubts as to your ability to complete the repair in a safe and satisfactory manner.
2. Always Use The Correct Replacement Parts as indicated in the parts documentation. Substitutions may defeat compliance with Safety Standards Set For Home Appliances.
3. Before servicing or moving an appliance:
  - Remove power cord from the electrical outlet, trip circuit breaker to OFF position, or remove fuse.
  - Turn off water supply for steam models.
  - Turn off gas supply for gas dryers.
4. Never interfere with the proper operation of any safety device.
5. Use ONLY REPLACEMENT PARTS CATALOGED FOR THIS APPLIANCE. Substitutions may defeat compliance with Safety Standards Set For Home Appliances.
6. GROUNDING: The standard color coding for safety ground wires is GREEN, or GREEN with YELLOW STRIPES. Ground leads are not to be used as current carrying conductors. It is EXTREMELY important that the service technician reestablish all safety grounds prior to completion of service. Failure to do so will create a hazard.
7. Prior to returning the product to service, ensure that:
  - All electrical connections are correct and secure.
  - All electrical leads are properly dressed and secured away from sharp edges, high temperature components, and moving parts.
  - All non-insulated electrical terminals, connectors, heaters, etc. are adequately spaced away from all metal parts and panels.
  - All safety grounds (both internal and external) are correctly and securely connected.
  - All panels are properly and securely reassembled
  - Gas and water supplies are turned ON if shut off prior to service.

#### **WARNING**

This service manual is intended for use by persons having electrical and mechanical training and a level of knowledge of these subjects generally considered acceptable in the appliance repair trade. Electrolux Home Products, Inc. cannot be responsible, nor assume any liability, for injury or damage of any kind arising from the use of this manual.

#### **Protect Children**

Do not allow children to play on or in the dryer. Close supervision of children is necessary when the dryer is used near children. As children grow, teach them the proper, safe use of all appliances.

Destroy the carton, plastic bag and other packing materials after the dryer is unpacked. Children might use them for play. Cartons covered with rugs, bedspreads or plastic sheets can become airtight chambers.

Keep laundry products out of children's reach. To prevent personal injury, observe all warnings on product labels.

Before the dryer is removed from service or discarded, remove the dryer door to prevent accidental entrapment.

Failure to comply with these warnings could result in serious personal injuries.

**⚠ WARNING**

TO PREVENT PERSONAL INJURY OR DAMAGE TO THE DRYER, THE ELECTRICAL POWER CORD OF A GAS DRYER MUST BE PLUGGED INTO A PROPERLY GROUNDED AND POLARIZED 3-PRONG OUTLET. THE THIRD GROUNDING PRONG MUST NEVER BE REMOVED.

NEVER GROUND THE DRYER TO A GAS PIPE.

DO NOT USE AN EXTENSION CORD OR AN ADAPTER PLUG.

ALWAYS DISCONNECT THE DRYER FROM THE ELECTRICAL SUPPLY BEFORE ATTEMPTING ANY SERVICE OR CLEANING. FAILURE TO DO SO CAN RESULT IN ELECTRICAL SHOCK OR INJURY.

DO NOT USE ANY TYPE SPRAY CLEANSER WHEN CLEANING DRYER INTERIOR. HAZARDOUS FUMES OR ELECTRICAL SHOCK COULD OCCUR.

TO PREVENT INJURY, DO NOT REACH INTO THE DRYER IF THE DRUM IS MOVING. WAIT UNTIL THE DRYER HAS STOPPED COMPLETELY BEFORE REACHING INTO THE DRUM.

TO PREVENT INJURY AND DAMAGE TO THE DRYER:

- ALL REPAIRS AND SERVICING MUST BE PERFORMED BY AN AUTHORIZED SERVICER UNLESS SPECIFICALLY RECOMMENDED IN THIS OWNER'S GUIDE. USE ONLY AUTHORIZED FACTORY PARTS.
- DO NOT TAMPER WITH CONTROLS.
- DO NOT INSTALL OR STORE THE DRYER WHERE IT WILL BE EXPOSED TO THE WEATHER.

**Prevent Fire**

Do not dry items that have been previously cleaned in, soaked in, or spotted with gasoline, cleaning solvents, kerosene, waxes, etc. Do not store these items on or near the dryer. These substances give off vapors that could ignite or explode.

Do not place items exposed to cooking oils in your dryer. Items contaminated with cooking oils may contribute to a chemical reaction that could cause a load to catch fire.

To prevent fire, do not use heat to dry items containing plastic, foam rubber or similarly textured rubber-like materials, or items containing feathers or down. Use Air Fluff (No Heat) only.

Clean the lint screen before or after each load. The interior of the dryer, lint screen housing and exhaust duct should be cleaned approximately every 18 months by qualified service personnel. An excessive amount of lint buildup in these areas could result in inefficient drying and possible fire.

Do not operate the dryer if the lint screen is blocked, damaged or missing. Fire hazard, overheating and damage to fabrics can occur. If your dryer has a drying rack, always replace the lint screen when finished using the drying rack.

Keep area around exhaust opening and surrounding areas free from the accumulation of lint, dust and dirt.

Do not obstruct the flow of ventilating air. Do not stack or place laundry or throw rugs against the front or back of the dryer.

Do not spray any type of aerosol into, on or near dryer at any time.

Do not use fabric softeners or products to eliminate static unless recommended by the manufacturer of the fabric softener or product.

Failure to comply with these warnings could result in fire, explosion, serious bodily injury and/or damage to the rubber or plastic parts of the dryer.

## Product Specifications Wave Touch™ Dryer

2 Premium Colors  
 Enhanced LCD Controls (with larger trilingual display)  
 Reversing Drum  
 Quiet (56 dBA maximum)  
 11 Standard and 3 Favorite Cycles with custom settings to reach 42 Total Cycles  
 Multiple User Mode – 3 User Modes with Favorite and Custom Cycles  
 8 Timed Dry Options  
 Shrink Guard  
 Drum Light with manual switch  
 2 Temperature Selections (7 total)  
 Steam  
 Fastest Cycle Time

### Cycles

NSF Certified  
 Heavy Duty  
 Bulky/Bedding  
 Mixed Load  
 Towels  
 Normal  
 Active Wear – Use for sports/workout gear  
 Quick Dry – The fastest cycle in the industry  
 Casual – Use for Permanent Press items  
 Delicate – Gentler than any cycle available  
 Touch Up  
 Time Dry – Up to 90 minutes  
 My Favorite – Programmable by consumer

### Additional Options

Damp Alert – For items that will be ironed.  
 Control Lock – to prevent accidental operation by children  
 7 Temperature Selections  
 Wrinkle Rid – Extends tumble time so wrinkles do not set.  
 Soft Heat – Reduces the temperature as the cycle progresses to prevent damage.

### Model Number Breakdown

Each model follows the following nomenclature:

E .....for Electrolux  
 I .....for IQ Touch  
 W .....for Wave Touch  
 FLW .....for Front Load Washer  
 ED .....for Electric Dryer  
 GD .....for Gas Dryer  
 MED/MGD ....Steam Electric/Steam Gas Dryer  
 P .....for Pedestal

## Product Specifications IQ Touch™ Dryer

White and 1 Premium Color  
 Superior drying – Even & Gentle  
 Reversible Door  
 Push2Open: Door & Pedestal  
 Large Capacity (8 cu. ft.)  
 Intelligent and Adaptive LCD Controls  
 Electrolux Blue LEDs  
 Custom Cycles Including My Favorite  
 Quiet (59 dBA maximum)  
 Top CU Rating  
 11 Cycles with 4 Dryness levels and 5 Temperature Selections  
 NSF Rated Sanitary Cycle  
 Fastest Cycle Time

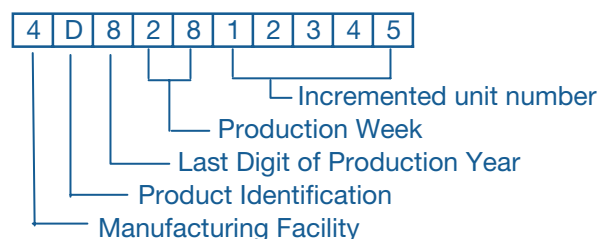
### Cycles

NSF Certified  
 Heavy Duty  
 Bulky/Bedding  
 Mixed Load  
 Towels  
 Normal  
 Quick Dry – The fastest cycle in the industry  
 Casual – Use for Permanent Press items  
 Delicate – Gentler than any cycle available  
 Touch Up  
 Time Dry – Up to 90 minutes  
 My Favorite – Programmable by consumer

### Additional Options

Damp Alert – For items that will be ironed.  
 Control Lock – to prevent accidental operation by children  
 5 Temperature Selections  
 Wrinkle Rid – Extends tumble time so wrinkles do not set.  
 Soft Heat – Reduces the temperature as the cycle progresses to prevent damage.

### Serial Number Breakdown













































**QUICK REFERENCE SHEET**

SPECIFICATION	ELECTRIC MODELS	GAS MODELS
Electrical		
Volts 120/208 or 120/240	120/208 or 120/240	120
Amps (circuit)	30	15
Motor wattage	200-290 Watts	200-290 Watts
Heat input (Watts @ 240 VAC)	4300/5500	---
Heat input (BTU/Hr.)	---	22,000
Auto. Elec. Ignition	---	Yes
Drum		
Size (Cu. Ft.)	8.0	8.0
Finish	Powder Paint Epoxy	Powder Paint Epoxy
R.P.M.	48 - 54	48 - 54
Airflow CFM	200	200
DRUM TEMPERATURES (Max. opening on 3rd cycle)		
Maximum	120° - 160°	120° - 180°
Medium	110° - 140°	105° - 145°
Low	95° - 130°	95° - 130°
Dimension (Inches)		
Height	38"	38"
Width	27"	27"
Depth	31.5"	31.5"
Vent Capability	4-Way	4-Way
Top Finish	Powder Paint Enamel	Powder Paint Enamel
Port Opening (Sq. In.)	235	235

Component Resistances*	Electric Models	Gas Models
Drive motor (120 volt, 60 Hz, 1/4 h.p. 1725 rpm)		
Motor Start Winding	4.5 Ohms	4.5 Ohms
Motor Run Winding	3.8 Ohms	3.8 Ohms
Heating Element	26.4 Ohms	
Control Thermistor	50K Ohms +/- 5% @ 77° F	50K Ohms +/- 5% @ 77° F
Burner Assembly		
Ignitor	---	50 - 400 Ohms
Secondary Coil	---	1200 Ohms
Booster Coil	---	1320 Ohms

\* +/- 10% @ 77° F

## The Language of Laundry

						
Machine Wash Instructions	Special Care	Bleaching Instructions	Dryer Instructions	Ironing Instructions	Dry Cleaning	
 Normal Wash	 Hand Wash	 Bleach as Needed	 Normal Dry	 DO NOT Machine Dry	 Low Heat	 Dry Clean
 Permanent Press	 DO NOT Wring	 Non-chlorine Bleach as Needed	 Permanent Press	 Line Dry	 Med. Heat	 Dry Clean w/ Any Solvent
 Gentle Cycle		 DO NOT Bleach	 Gentle Setting	 Drip Dry	 High Heat	 Dry Clean w/ Petroleum Solvent
 DO NOT Machine Wash			 DO NOT Tumble Dry	 Dry Flat	 DO NOT Steam	 Dry Clean w/ Solvents Other Than Trichloroethylene
 Cold (<85°F)			 No Heat	 DO NOT Iron	 DO NOT Dry Clean	
 Warm (<105°F)			 Low Heat			
 Hot (<120°F)			 Normal/ Med. Heat			
 Hot (<140°F)			 High Heat			

# Section 2

## Installation Information

## IMPORTANT SAFETY INSTRUCTIONS

### Safety Precautions

Do not attempt to install or operate this appliance until you read the safety precautions in this guide. Safety items throughout this guide are labeled with a Warning or Caution based on the risk type.

**WARNING** indicates a potentially hazardous situation which, if not avoided, could result in death or serious injury.

**Caution** indicates a potentially hazardous situation which, if not avoided, may result in minor or moderate injury.

### **WARNING**

ELECTROLUX CANNOT BE HELD RESPONSIBLE FOR DAMAGE TO PROPERTY OR INJURY TO PERSONS CAUSED BY FAILURE TO COMPLY WITH THE INSTALLATION, MAINTENANCE AND SAFETY INSTRUCTIONS CONTAINED IN THIS SERVICE MANUAL.

### **WARNING**

TO REDUCE THE RISK OF FIRE, ELECTRICAL SHOCK, OR INJURY WHEN USING A WAVE-TOUCH™ OR IQ-TOUCH™ DRYER, FOLLOW BASIC SAFETY PRECAUTIONS INCLUDING THE FOLLOWING:

- READ ALL INSTRUCTIONS BEFORE OPERATING THE DRYER.
- BEFORE PERFORMING ANY TYPE OF SERVICE OR INSTALLATION, MAKE SURE THAT ELECTRIC POWER TO THE DRYER IS DISCONNECTED.
- TO AVOID THE POSSIBILITY OF EXPLOSION OR FIRE, DO NOT STORE OR USE COMBUSTIBLE, FLAMMABLE, OR EXPLOSIVE LIQUIDS OR VAPORS (SUCH AS GASOLINE) INSIDE OR IN THE VICINITY OF THIS OR ANY OTHER APPLIANCE.
- THIS APPLIANCE IS EQUIPPED WITH A THREE-PRONG GROUNDING PLUG FOR PROTECTION AGAINST POSSIBLE ELECTRIC SHOCK HAZARDS. PLUG IT ONLY INTO A DEDICATED, GROUNDED ELECTRICAL OUTLET. WHEN ONLY A STANDARD TWO-PRONG ELECTRICAL OUTLET IS AVAILABLE, THE CUSTOMER MUST HAVE IT REPLACED WITH A DEDICATED, PROPERLY GROUNDED THREE-PRONG ELECTRICAL OUTLET BEFORE USING THIS APPLIANCE. DO NOT UNDER ANY CIRCUMSTANCES, CUT OR REMOVE THE THIRD (GROUND) PRONG FROM THE POWER CORD. DO NOT USE AN ADAPTER PLUG. DO NOT USE AN EXTENSION CORD. DO NOT USE A POWER CORD THAT IS FRAYED OR DAMAGED. THE USE OF A GROUND FAULT INTERRUPTER (GFI) IS NOT RECOMMENDED.
- DO NOT INSTALL OR USE A DAMAGED APPLIANCE. IF YOU RECEIVE A DAMAGED APPLIANCE, IMMEDIATELY CONTACT YOUR DEALER OR BUILDER.
- DO NOT USE THE DRYER UNTIL IT HAS BEEN PROPERLY INSTALLED BY A QUALIFIED INSTALLER ACCORDING TO THESE INSTALLATION INSTRUCTIONS. THE INSTALLER MUST SHOW THE CUSTOMER THE LOCATION OF THE POWER PLUG SO THAT THEY KNOW WHERE AND HOW TO DISCONNECT POWER TO THE DRYER.
- DO NOT INSTALL, REPAIR, OR REPLACE ANY PART OF THE DRYER UNLESS SPECIFICALLY RECOMMENDED IN THE LITERATURE ACCOMPANYING IT. A QUALIFIED SERVICE TECHNICIAN SHOULD PERFORM ALL OTHER SERVICE.

### **WARNING**

DESTROY CARTON, PLASTIC BAGS, AND ANY EXTERIOR WRAPPING MATERIAL IMMEDIATELY AFTER THE DRYER IS UNPACKED. CHILDREN SHOULD NEVER USE THESE ITEMS FOR PLAY. CARTONS COVERED WITH RUGS, BEDSPREADS, PLASTIC SHEETS OR STRETCH WRAP MAY BECOME AIR TIGHT CHAMBERS AND CAN QUICKLY CAUSE SUFFOCATION.

KEEP LAUNDRY PRODUCTS OUT OF CHILDREN'S REACH. TO PREVENT PERSONAL INJURY, OBSERVE ALL WARNINGS ON PRODUCT LABELS.

CUT HAZARD. TO PREVENT SERIOUS INJURY FROM SHARP EDGES, WEAR WORK GLOVES WHEN HANDLING, UNPACKING OR DISASSEMBLING UNIT.

### **CAUTION**

#### EXCESSIVE WEIGHT HAZARD

To avoid back or other injury, have more than one person move or lift the dryer.

### **NOTE**

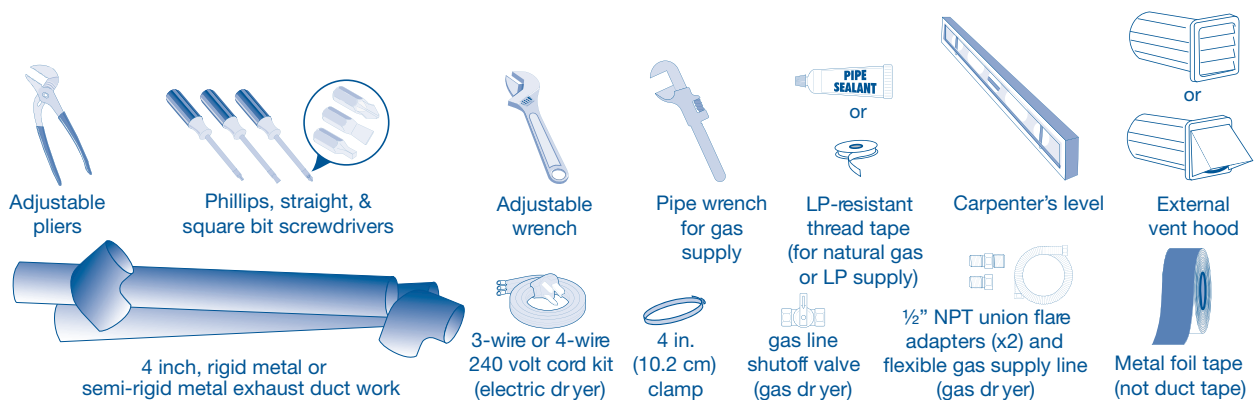
The electrical service to the dryer must conform with local codes and ordinances and the latest edition of the National Electrical Code, ANSI/NFPA 70, or in Canada, the Canadian electrical code C22.1 part 1.

### WHAT TO DO IF YOU SMELL GAS:

- Do not try to light any appliance.
- Do not touch any electrical switch; do not use any phone in your building.
- Clear the room, building or area of all occupants.
- Immediately call your gas supplier from a neighbor's phone. Follow the gas supplier's instructions.
- If you cannot reach your gas supplier, call the fire department.

### Pre-installation Requirements

Tools and materials needed for installation:



## Dryer Installation Dimensions

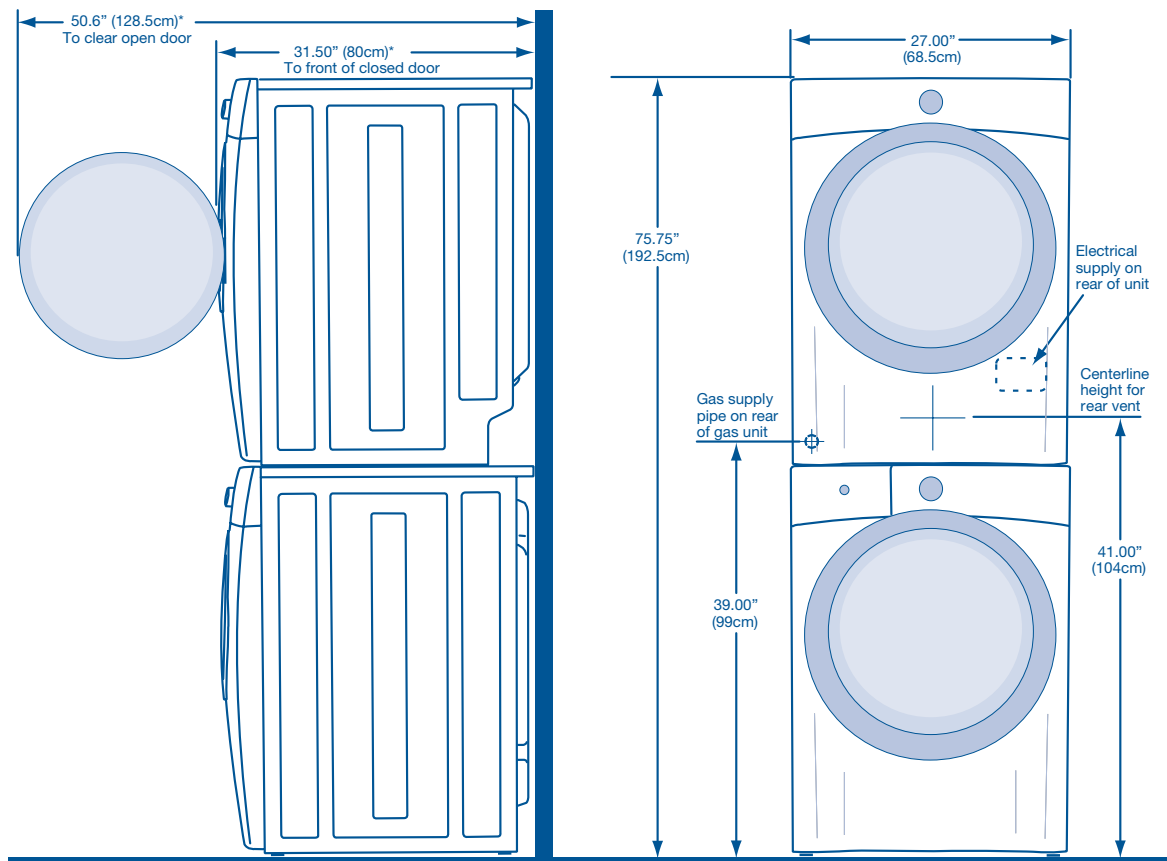
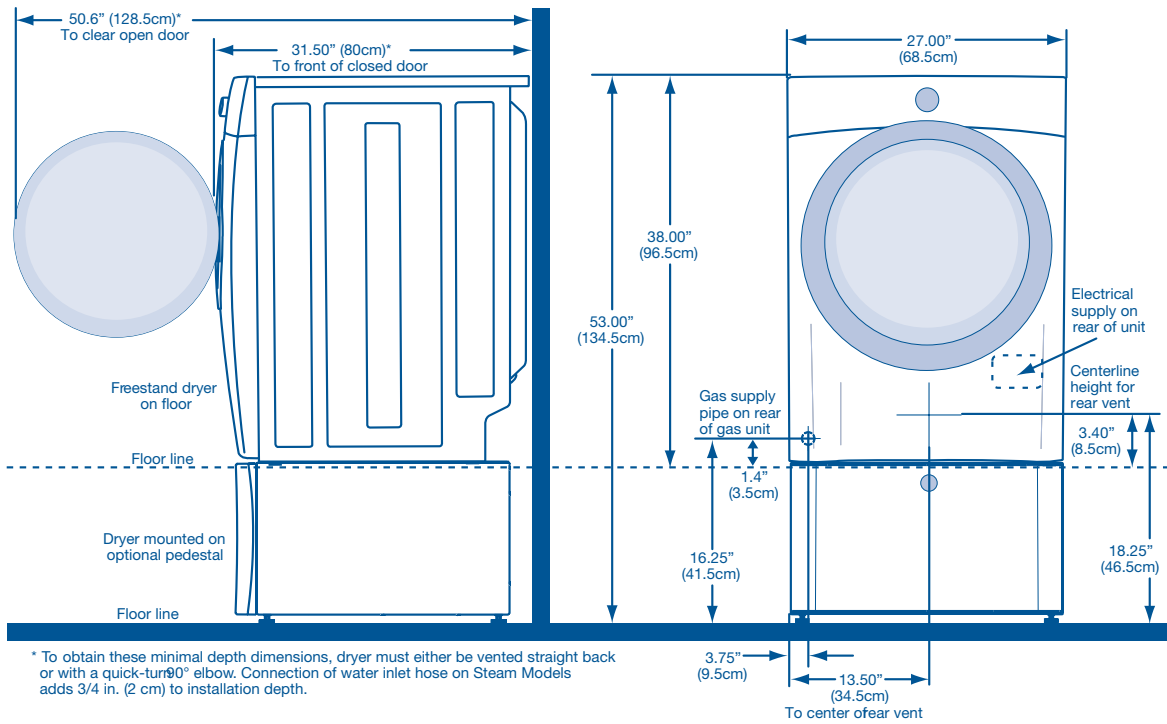


Figure 2-1.

### Exhaust System Requirements

Use only 4 inch (10.2 cm) diameter (minimum) rigid or flexible metal duct and approved vent hood which has a swing-out damper(s) that open when the dryer is in operation. When the dryer stops, the dampers automatically close to prevent drafts and the entrance of insects and rodents. To avoid restricting the outlet, maintain a minimum of 12 inches (30.5 cm) clearance between the vent hood and the ground or any other obstruction.

If the present system is made up of plastic duct or metal foil duct, replace it with a rigid or semi-rigid metal duct. In Canada and the United States if metal (foil type) duct is installed, it must be of a specific type identified by the appliance manufacturer as suitable for use with clothes dryers and in the United States must also comply with the Outline for Clothes Dryer Transition Duct, UL standard 2158A. Also, ensure the present duct is free of any lint prior to installing dryer duct.

The dryer must be connected to an exhaust outdoors. Regularly inspect the outdoor exhaust opening and remove any accumulation of lint around the outdoor exhaust opening and in the surrounding area. (See Figure 2-2 & 2-3)

### **⚠ WARNING**

**DO NOT ALLOW COMBUSTIBLE MATERIALS (FOR EXAMPLE: CLOTHING, DRAPERIES AND CURTAINS, PAPER) TO COME IN CONTACT WITH EXHAUST SYSTEM. THE DRYER MUST NOT BE EXHAUSTED INTO A CHIMNEY, WALL, CEILING, OR ANY CONCEALED SPACE OF A BUILDING WHICH CAN ACCUMULATE LINT, RESULTING IN A FIRE HAZARD.**

**DO NOT SCREEN THE EXHAUST ENDS OF THE VENT SYSTEM, OR USE ANY SCREWS, RIVETS OR OTHER FASTENERS THAT EXTEND INTO THE DUCT TO ASSEMBLE THE EXHAUST SYSTEM. LINT CAN BECOME CAUGHT IN THE SCREEN, ON THE SCREWS OR RIVETS, CLOGGING THE DUCT WORK AND CREATING A FIRE HAZARD AS WELL AS INCREASING DRYING TIMES. USE AN APPROVED VENT HOOD TO TERMINATE THE DUCT OUTDOORS, AND SEAL ALL JOINTS WITH DUCT TAPE. ALL MALE DUCT PIPE FITTINGS MUST BE INSTALLED DOWNSTREAM WITH THE FLOW OF AIR.**

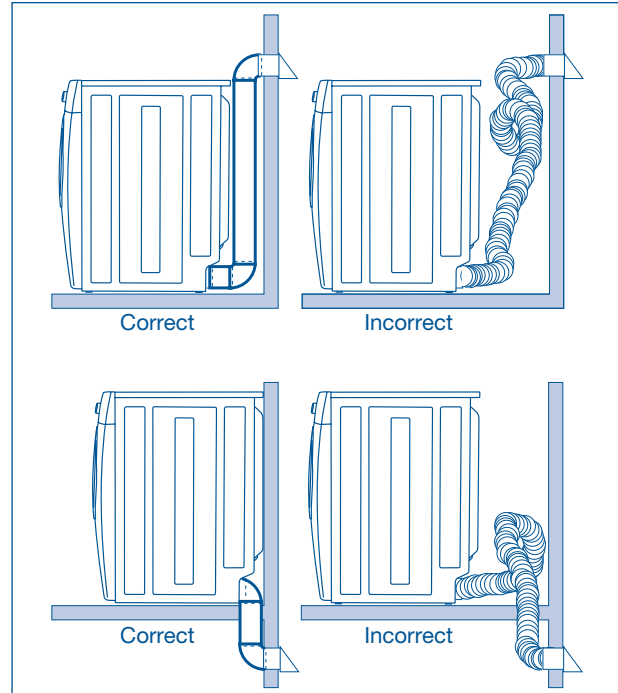


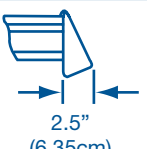


Figure 2-2.

Number of 90° turns	MAXIMUM LENGTH of 4" (10.2cm) Rigid Metal Duct	
	VENT HOOD TYPE	
	(Preferred)	
	 4" (10.2cm)	 louvered
	 2.5" (6.35cm)	
0	125 ft. (38.10m)	110 ft. (33.53m)
1	115 ft. (35.05m)	100 ft. (30.48m)
2	105 ft. (32.00m)	90 ft. (27.43m)
3	95 ft. (28.96m)	80 ft. (24.38m)
4	85 ft. (25.91m)	70 ft. (21.34m)

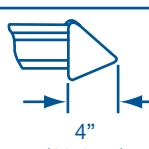


Number of 90° turns	MAXIMUM LENGTH of 4" (10.2cm) Semi-Rigid Metal Duct	
	VENT HOOD TYPE	
	(Preferred)	
	 4" (10.2cm)	 louvered
	 2.5" (6.35cm)	
0	60 ft. (18.29m)	45 ft. (13.72m)
1	50 ft. (15.24m)	35 ft. (10.67m)
2	40 ft. (12.19m)	25 ft. (7.62m)
3	NOT RECOMMENDED	

Figure 2-3.

## Install Male Fittings in Correct Direction:

In installations where the exhaust system is not described in the charts, the following method must be used to determine if the exhaust system is acceptable: (See Figure 2-4)

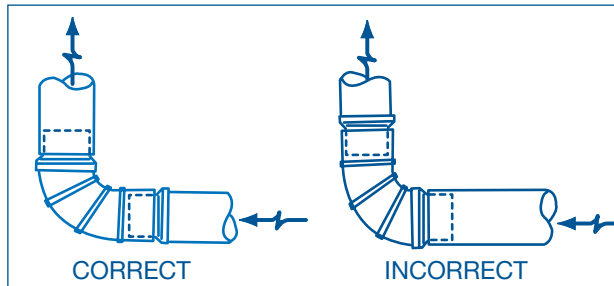


Figure 2-4.

## Exhaust System Requirements

1. Connect an inclined or digital manometer between the dryer and the point the exhaust connects to the dryer.
2. Set the dryer timer and temperature to air fluff (cool down) and start the dryer.
3. Read the measurement on the manometer.
4. The system back pressure **MUST NOT** be higher than 1.0 inch of water column. If the system back pressure is less than 1.0 inch of water column, the system is acceptable. If the manometer reading is higher than 1.0 inch of water column, the system is too restrictive and the installation is unacceptable.

Although vertical orientation of the exhaust system is acceptable, certain extenuating circumstances could affect the performance of the dryer:

1. Only the rigid metal duct work should be used.
2. Venting vertically through a roof may expose the exhaust system to down drafts causing an increase in vent restriction.
3. Running the exhaust system through an uninsulated area may cause condensation and faster accumulation of lint.
4. Compression or crimping of the exhaust system will cause an increase in vent restriction.
5. The exhaust system should be inspected and cleaned a minimum of every 18 months with normal usage. The more the dryer is used, the more often you should check the exhaust system and vent hood for proper operation.

## Exhaust Direction

Directional exhausting can be accomplished by installing a quick-turn 90° dryer vent elbow directly to exhaust outlet of dryer. Dryer vent elbows are available through your local parts distributor or hardware store. (See Figure 2-5)

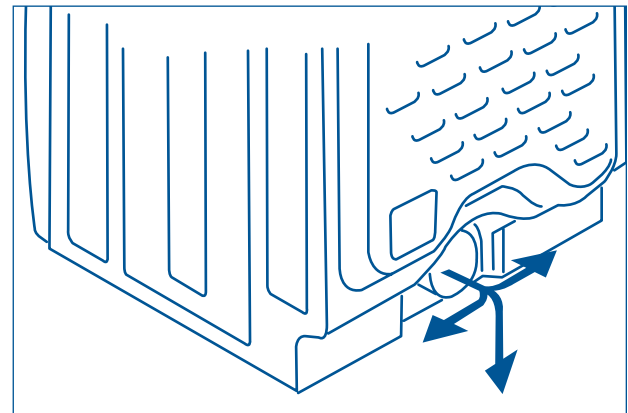


Figure 2-5.

## Manufactured or Mobile Home Installation

1. Installation **MUST** conform to current Manufactured Home Construction & Safety Standard, Title 24 CFR, Part 32-80 (formerly the Federal Standard for Mobile Home Construction and Safety, Title 24, HUD Part 280) or Standard CAN/CSAZ240 MH.
2. Dryer **MUST** be exhausted outside (outdoors, not beneath the mobile home) using metal ducting that will not support combustion. Metal ducting must be 4 inches (10.16 cm) in diameter with no obstructions. Rigid metal duct is preferred.
3. If dryer is exhausted through the floor and area beneath the mobile home is enclosed, the exhaust system **MUST** terminate outside the enclosure with the termination securely fastened to the mobile home structure.
4. Refer to previous sections in this guide for other important exhaust venting system requirements.
5. When installing a gas dryer into a mobile home, a provision must be made for outside make up air. This provision is to be not less than twice the area of the dryer exhaust outlet.
6. Installer **MUST** anchor this (1) dryer or (2) dryer mounted on pedestal to the floor with approved Mobile Home Installation Kit.



### Clearance Requirements

#### ➔ IMPORTANT

##### DO NOT INSTALL THE DRYER:

1. In an area exposed to dripping water or out side weather conditions.
2. In an area where it will come in contact with curtains, drapes, or anything that will obstruct the flow of combustion and ventilation air.
3. On carpet. Floor **MUST** be solid with a maximum slope of 1 inch (2.54 cm).

#### Installation in a Recess or Closet

1. A dryer installed in a bedroom, bathroom, recess or closet, **MUST** be exhausted out doors.
2. No other fuel burning appliance shall be installed in the same closet as the gas dryer.
3. The dryer needs the space around it for proper ventilation. **DO NOT** install dryer in a closet with a solid door.
4. Closet door ventilation required: A minimum of 120 square inches (774.2 cm<sup>2</sup>) of opening, equally divided at the top and bottom of door, is required. Openings should be located 3 inches (7.6 cm) from bottom and top of door. Openings are required to be unobstructed when a door is installed. A louvered door with equivalent air openings for the full length of door is acceptable. (See Figure 2-6 & 2-7)

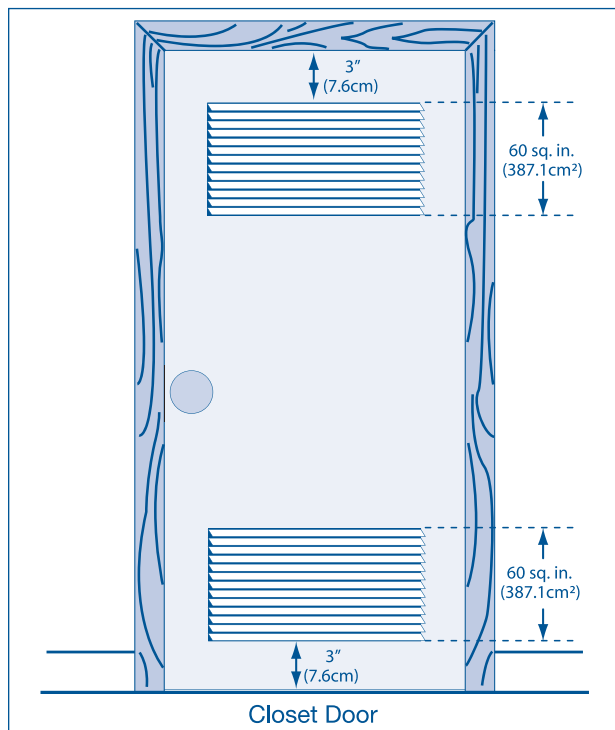


Figure 2-6.

MINIMUM INSTALLATION CLEARANCES - Inches (cm)				
	SIDES	REAR	TOP	FRONT
Alcove	0" (0 cm)	0" (0 cm)*	0" (0 cm)	n/a
Under-Counter	0" (0 cm)	0" (0 cm)*	0" (0 cm)	n/a
Closet	0" (0 cm)	0" (0 cm)*	0" (0 cm)	1" (2.54 cm)

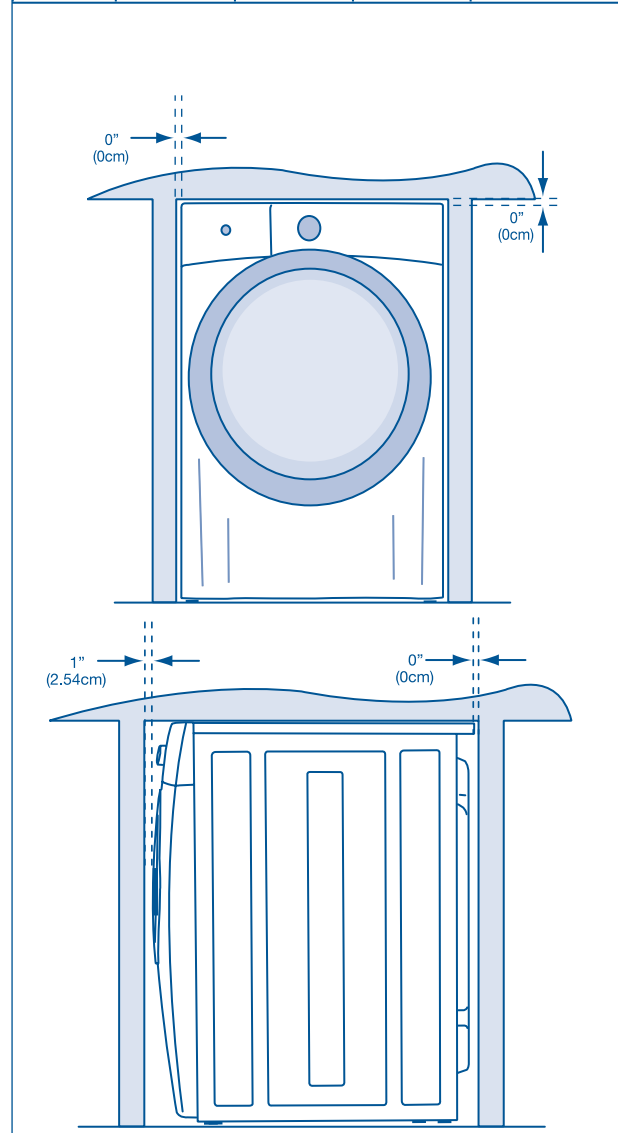


Figure 2-7.

#### ☰ NOTE

To achieve an installation with 0" (0cm) clearance for the back of the dryer (for other than straight back venting), a quick-turn 90° dryer vent elbow must be installed as described previously in this manual.

## Electrical System Requirements

Circuit - Individual 30 amp. branch circuit fused with 30 amp. time delay fuses or circuit breakers. Use separately fused circuits for washer and dryer. DO NOT operate a washer and a dryer on the same circuit.

Power Supply - 3-wire or 4-wire, 240 volt, single phase, 60 Hz, Alternating Current.

### NOTE

Because of potentially inconsistent voltage capabilities, the use of this dryer with power created by gas powered generators, solar powered generators, wind powered generators or any other generator other than the local utility company is not recommended.

GFI (Ground Fault Interrupter) receptacle is not required.

### 3-Wire Power Supply Cord Kit (not supplied)

The dryer MUST employ a 3-conductor power supply cord NEMA 10-30 type SRDT rated at 240 volt AC minimum, 30 amp, with 3 open end spade lug connectors with upturned ends or closed loop connectors and marked for use with clothes dryers. For 3-wire cord connection instructions see ELECTRICAL CONNECTIONS FOR A 3-WIRE SYSTEM.

### 4-Wire Power Supply Cord Kit (not supplied)

The dryer MUST employ a 4-conductor power supply cord NEMA 14-30 type SRDT or ST (as required) rated at 240 volt AC minimum, 30 amp, with 4 open end spade lug connectors with upturned ends or closed loop connectors and marked for use with clothes dryers. For 4-wire cord connection instructions see ELECTRICAL CONNECTIONS FOR A 4-WIRE SYSTEM.

## IMPORTANT

This dryer is internally grounded to neutral unless it was manufactured for sale in Canada. Grounding through the neutral link is prohibited for: (1) new branch circuit installations, (2) mobile homes, (3) recreational vehicles, and (4) areas where local codes do not permit grounding through the neutral.

### NOTE

Dryers manufactured for sale in Canada have factory-installed, 4-wire power supply cord (NEMA 14-30R).

### Outlet Receptacle

NEMA 10-30R or NEMA 14-30R receptacle to be located so the power supply cord is accessible when the dryer is in the installed position.

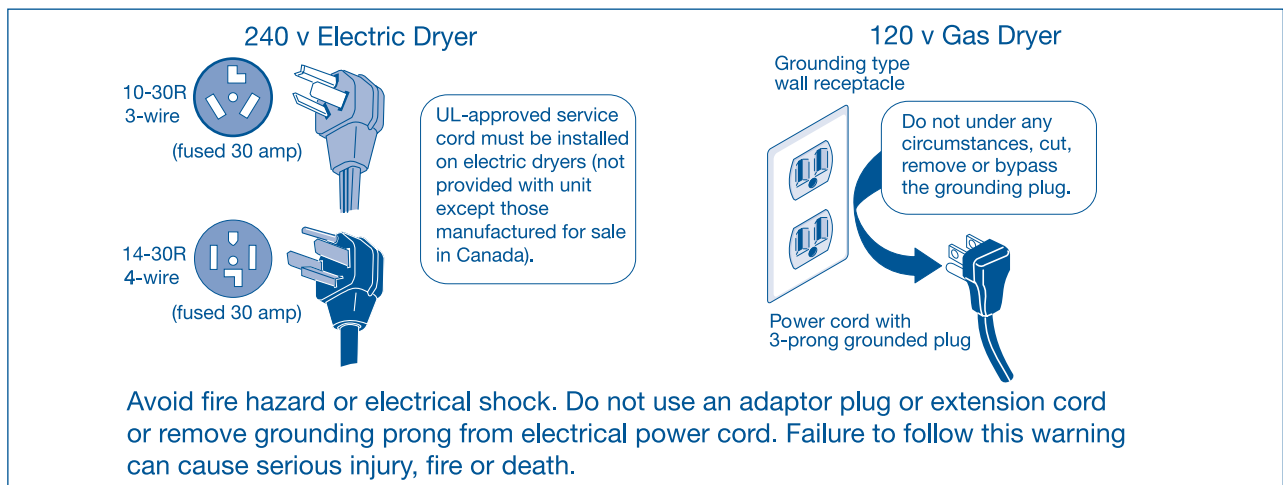
### Electrical Requirements for Gas Dryer:

Circuit - Individual, properly polarized and grounded 15 amp. branch circuit fused with 15 amp. time delay fuse or circuit breaker.

Power Supply - 2-wire, with ground, 120 volt, single phase, 60 Hz, Alternating Current.

Power Supply Cord - The dryer is equipped with a 120 volt 3-wire power cord.

Grounding Connection - See "Grounding requirements" in Electrical Installation section.



### Electrical Installation

#### **WARNING**

DO NOT USE AN EXTENSION CORD WITH THIS DRYER. SOME EXTENSION CORDS ARE NOT DESIGNED TO WITHSTAND THE AMOUNTS OF ELECTRICAL CURRENT THIS DRYER UTILIZES AND CAN MELT, CREATING ELECTRICAL SHOCK AND/OR FIRE HAZARD. LOCATE THE DRYER WITHIN REACH OF THE RECEPTACLE FOR THE LENGTH POWER CORD TO BE PURCHASED, ALLOWING SOME SLACK IN THE CORD.

A U.L.-APPROVED STRAIN RELIEF MUST BE INSTALLED ONTO POWER CORD. IF THE STRAIN RELIEF IS NOT ATTACHED, THE CORD CAN BE PULLED OUT OF THE DRYER AND CAN BE CUT BY ANY MOVEMENT OF THE CORD, RESULTING IN ELECTRICAL SHOCK.

DO NOT USE AN ALUMINUM WIRED RECEPTACLE WITH A COPPER WIRED POWER CORD AND PLUG (OR VICE VERSA). A CHEMICAL REACTION OCCURS BETWEEN COPPER AND ALUMINUM AND CAN CAUSE ELECTRICAL SHORTS. THE PROPER WIRING AND RECEPTACLE IS A COPPER WIRED POWER CORD WITH A COPPER WIRED RECEPTACLE.

#### **For a Grounded, Cord-connected Dryer: (U.S.A. Electric Dryer)**

1. The dryer **MUST** be grounded. In the event of a malfunction or breakdown, grounding will reduce the risk of electrical shock by a path of least resistance for electrical current.
2. After you purchase and install a 3 wire or 4 wire power supply cord having an equipment grounding conductor and a grounding plug that matches your wiring system, the plug **MUST** be plugged into an appropriate, copper wired receptacle that is properly installed and grounded in accordance with all local codes and ordinances. If in doubt, call a licensed electrician.

**DO NOT** modify the plug you've installed on this appliance.

#### **For a permanently connected dryer:**

1. The dryer **MUST** be connected to a grounded metal, permanent wiring system; or an equipment grounding conductor must be run with the circuit conductors and connected to the equipment-grounding terminal or lead on the appliance.

#### **For a Grounded, Cord-connected Dryer: (Canada Electric Dryer)**

1. The dryer **MUST** be grounded. In the event of a malfunction or breakdown, grounding will reduce the risk of electrical shock by a path of least resistance for electrical current.
2. Since your dryer is equipped with a power supply cord having an equipment-grounding conductor and a grounding plug, the plug **MUST** be plugged into an appropriate outlet that is properly installed and grounded in accordance with all local codes and ordinances. If in doubt, call a licensed electrician.

**DO NOT** modify the plug provided with the appliance.

#### **Gas Dryer**

1. The dryer is equipped with a three-prong (grounding) plug for your protection against shock hazard and should be plugged directly into a properly grounded three-prong receptacle.

**DO NOT** cut or remove ground prong from the plug.

## Electrical Connection (non-Canada) - 3 Wire Cord

1. Turn off power supply to outlet.

### **WARNING**

**ELECTRICAL SHOCK HAZARD  
FAILURE TO DISCONNECT POWER SOURCE  
BEFORE SERVICING COULD RESULT IN  
PERSONAL INJURY OR EVEN DEATH.**

2. Remove the screw securing the terminal block access cover in the lower corner on the back of the dryer.
3. Install a UL-approved strain relief according to the power cord/strain relief manufacturer's instructions in the power cord entry hole below the access panel. At this time, the strain relief should be loosely in place.
4. Thread an UNPLUGGED, UL-approved, 30 amp. power cord, NEMA 10-30 type SRDT, through the strain relief.
5. Attach the power cord neutral (center wire) conductor to the SILVER colored center terminal on the terminal block. Tighten the screw securely. (See Figure 2-8 & 2-9)
6. Attach the remaining two power cord outer conductors to the outer, BRASS colored terminals on the terminal block. Tighten both screws securely.
7. Follow manufacturer's guidelines for firmly securing the strain relief and power cord.

### **WARNING**

**ELECTRICAL SHOCK HAZARD  
DO NOT MAKE A SHARP BEND OR CRIMP  
WIRING/ CONDUCTOR AT CONNECTIONS.**

8. Reinstall the terminal block cover.

### **IMPORTANT**

If moving dryer from a 4-wire system and installing it in a 3-wire system, move the internal ground from the center terminal back to the GREEN screw next to the terminal block.

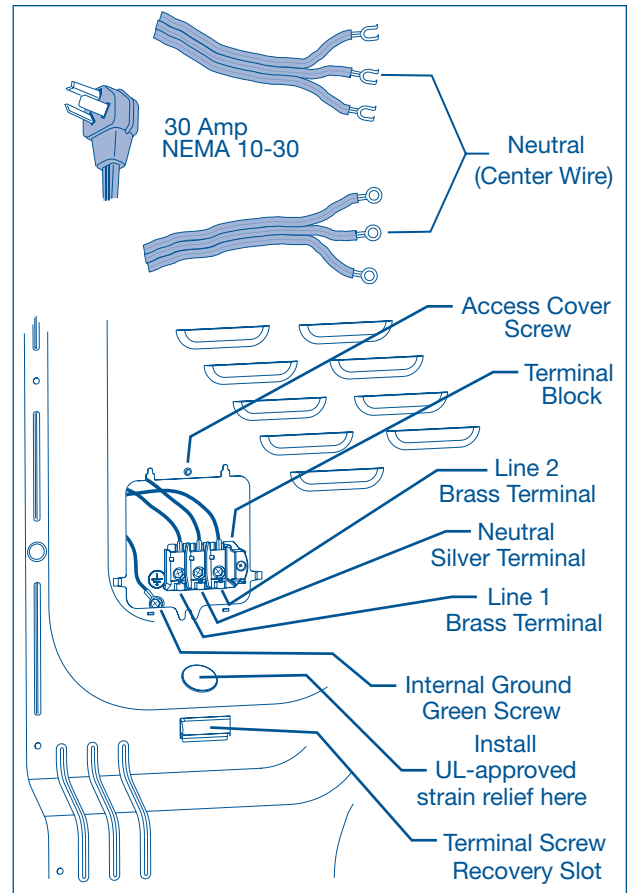


Figure 2-8.

### **NOTE**

If a terminal screw falls during cord installation, it can be retrieved in the terminal screw recovery slot below the access panel.

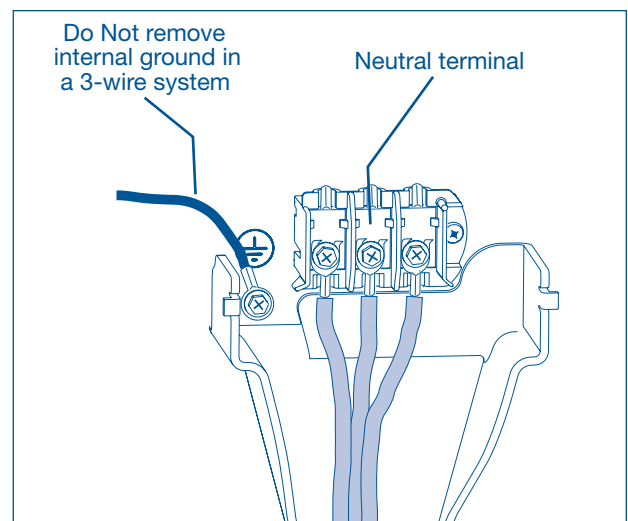


Figure 2-9.

### Electrical Connection (non-Canada) - 4 Wire Cord

1. Turn off power supply to outlet.

#### **⚠ WARNING**

**ELECTRICAL SHOCK HAZARD**  
FAILURE TO DISCONNECT POWER SOURCE BEFORE SERVICING COULD RESULT IN PERSONAL INJURY OR EVEN DEATH.

2. Remove the screw securing the terminal block access cover in the lower corner on the back of the dryer.
3. Install a UL-approved strain relief according to the power cord/strain relief manufacturer's instructions in the power cord entry hole below the access panel. At this time, the strain relief should be loosely in place.
4. Thread an UNPLUGGED, UL-approved, 30 amp. power cord, NEMA 14-30 type ST or SRDT, through the strain relief. (See Figure 2-10)
5. Disconnect the internal (BLACK) dryer harness ground wire from the (GREEN) ground screw next to the terminal block. (See Figure 2-11)
6. Attach the ground (GREEN) power cord wire to the cabinet with the ground (GREEN) screw. Tighten the screw securely.
7. Move the internal dryer harness ground (BLACK) wire to the terminal block and attach it along with the neutral (WHITE) power cord wire conductor to the center, SILVER colored terminal on the terminal block. Tighten the screw securely.
8. Attach the RED and BLACK power cord conductors to the outer, BRASS colored terminals on the terminal block. Tighten both screws securely.

#### **⚠ WARNING**

**ELECTRICAL SHOCK HAZARD**  
DO NOT MAKE A SHARP BEND OR CRIMP WIRING/ CONDUCTOR AT CONNECTIONS.

9. Follow manufacturer's guidelines for firmly securing the strain relief and power cord.
10. Reinstall the terminal block cover..

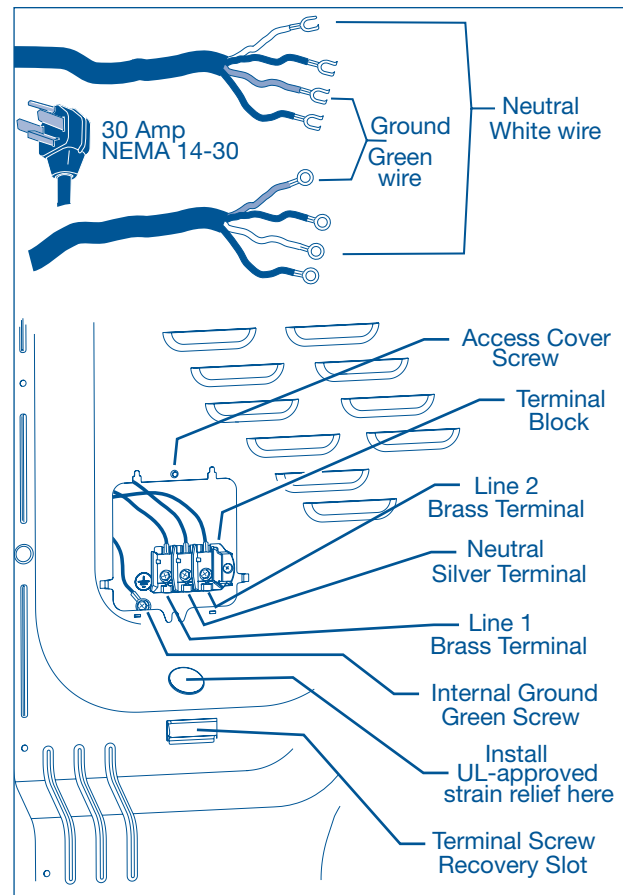


Figure 2-10.

#### **☰ NOTE**

If a terminal screw falls during cord installation, it can be retrieved in the terminal screw recovery slot below the access panel.

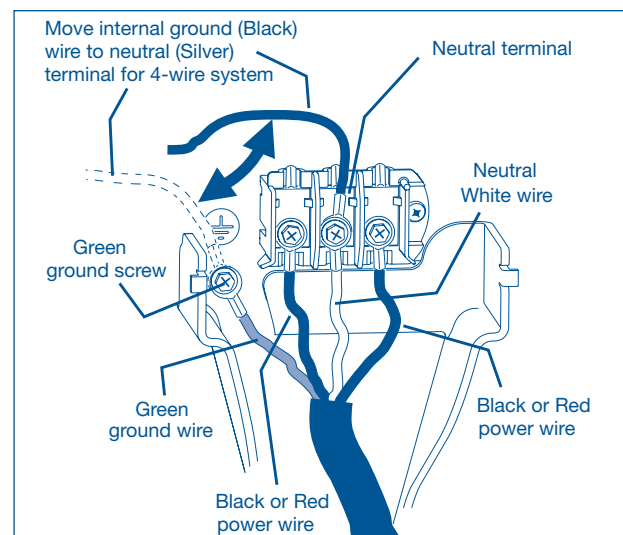


Figure 2-11.

## Gas Supply Requirements

1. Installation **MUST** conform with local codes, or in the absence of local codes, with the National Fuel Gas Code, ANSI Z223.1 (latest edition).
2. The gas supply line should be 1/2 inch (1.27cm) pipe.

### **WARNING**

**EXPLOSION HAZARD**  
UNCOATED COPPER TUBING WILL CORRODE WHEN SUBJECTED TO NATURAL GAS, CAUSING GAS LEAKS. USE ONLY BLACK IRON, STAINLESS STEEL, OR PLASTIC COATED BRASS PIPING FOR GAS SUPPLY.

3. If codes allow, flexible metal tubing may be used to connect your dryer to the gas supply line. The tubing **MUST** be constructed of stainless steel or plastic-coated brass.
4. The gas supply line **MUST** have an individual shutoff valve.
5. A 1/8 inch (0.32 cm) N.P.T. plugged tapping, accessible for test gauge connection, **MUST** be installed immediately upstream of the gas supply connection to the dryer.
6. The dryer **MUST** be disconnected from the gas supply piping system during any pressure testing of the gas supply piping system at test pressures in excess of 1/2 psig (3.45 kPa).
7. The dryer **MUST** be isolated from the gas supply piping system during any pressure testing of the gas supply piping system at test pressures equal to or less than 1/2 psig (3.45 kPa).
8. Connections for the gas supply must comply with the Standard for Connectors for Gas Appliances, ANSI Z21.24.

### **WARNING**

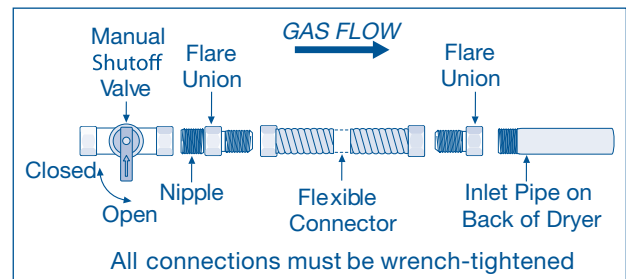
**EXPLOSION HAZARD**  
NEVER TEST FOR GAS LEAKS WITH AN OPEN FLAME.

### **IMPORTANT**

**DO NOT** connect the dryer to L.P. gas service without converting the gas valve. An L.P. conversion kit must be installed by a qualified gas technician.

## Gas Connection

1. Remove the shipping cap from gas pipe at the rear of the dryer.
2. Connect a 1/2 inch (1.27 cm) I.D. semi-rigid or approved pipe from gas supply line to the 3/8 inch (0.96 cm) pipe located on the back of the dryer. Use a 1/2 inch to 3/8 inch (1.27 cm to 0.96 cm) reducer for the connection. Apply an approved thread sealer that is resistant to the corrosive action of liquefied gases on all pipe connections. (See Figure 2-12)

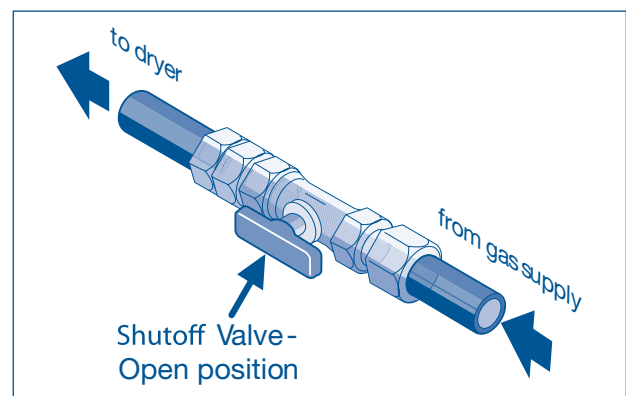


**Figure 2-12.**

3. Open the shutoff valve in the gas supply line to allow gas to flow through the pipe. Wait a few minutes for gas to move through the gas line.

### **IMPORTANT**

The supply line must be equipped with an approved manual shutoff valve. This valve should be located in the same room as the dryer and should be in a location that allows ease of opening and closing. Do not block access to the gas shutoff valve.



**Figure 2-13.**

4. Check for gas system leaks with a manometer. If a manometer is not available, test all connections by brushing on a soapy water solution.

### Water Connection (Steam Model Only)

1. Turn off COLD water supply to washer,
2. Remove COLD inlet hose from COLD water supply and inspect for rubber washer. Replace washer if it is torn or worn out.
3. Momentarily turn on COLD supply and run some water into a bucket or container to clear any contaminants in the line.
4. Remove hose kit from dryer drum and inspect hose couplings for proper placement of rubber washers. (See Figure 2-14)
5. If your installation has room for the COLD water supply to accept the “Y” connector directly, thread the “Y” connector to the COLD water supply and snug it by hand; then tighten it another 2/3 turn with pliers.

#### NOTE

If you were able to install the “Y” connector directly to the COLD water supply, please skip to step 8.

6. If there is not room to install the “Y” connector directly, thread the short extension hose on to the COLD water supply and snug it by hand; then tighten it another 2/3 turn with pliers.
7. Thread the “Y” connector to the short extension hose and snug it by hand; then tighten it another 2/3 turn with pliers.
8. Connect the COLD inlet hose for the washer to the “Y” connector and snug it by hand; then tighten it another 2/3 turn with pliers.
9. Connect the straight end of the long hose from the kit to the other outlet on the “Y” connector and snug it by hand. Connect the hose’s 90° coupling to the brass water inlet on the back of the dryer and snug it by hand. Tighten each connection of the dryer inlet hose another 2/3 turn with pliers.
10. Turn on the water and check for leaks at all connections.

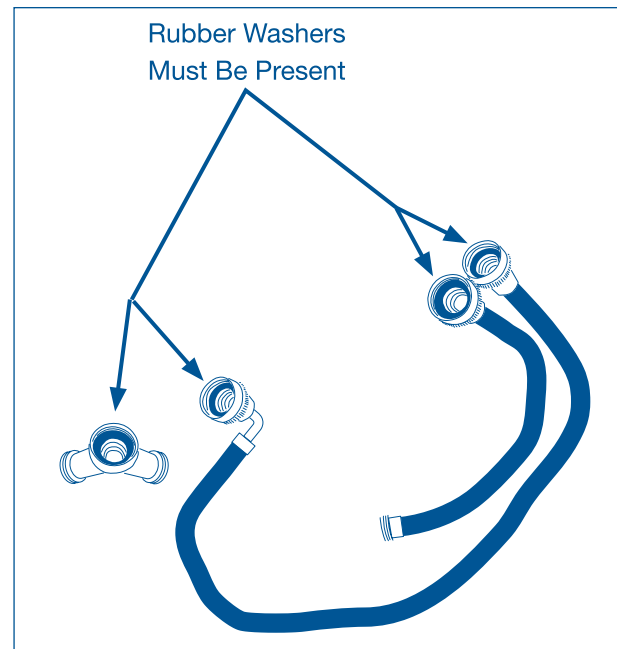


Figure 2-14.

## General Installation

1. Connect the exhaust duct to the outside exhaust system. Use of a 4" (10.2 cm) clamp is recommended to connect the dryer to the exhaust vent system. Use metal foil tape to seal all other joints. (See Figure 2-15)
2. Carefully slide the dryer to its final position. Adjust one or more of the legs until the dryer is resting solidly on all four legs. Place a level on top of the dryer. The dryer **MUST** be level and resting solidly on all four legs. Rock alternating corners to check for stability. Remove and discard door tape. (See Figure 2-16)

### **▶ IMPORTANT**

Be sure power is off at a circuit breaker/fuse box before plugging power cord into an outlet.

3. Plug the power cord into a grounded outlet.
4. Turn on power at the circuit breaker/fuse box.
5. Perform the "Installation Cycle" to verify proper installation.

### **☰ NOTE**

On gas dryers, before the burner will light, it is necessary for the gas line to be bled of air. If the burner does not light within 45 seconds the first time the dryer is turned on, the safety switch will shut the burner off. If this happens, press cancel and wait 5 minutes before making another attempt to light.

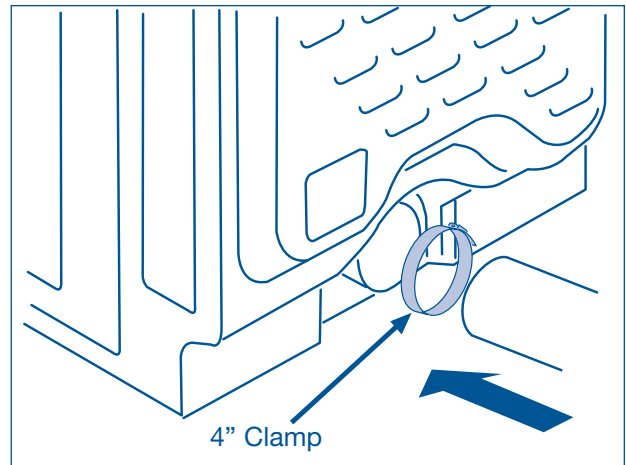


Figure 2-15.

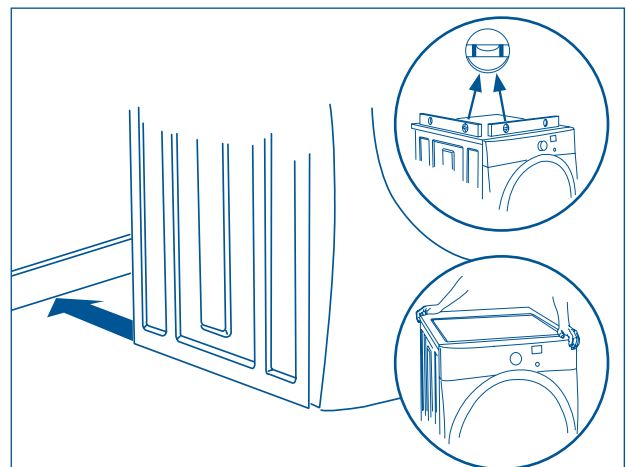


Figure 2-16.



**Wave-Touch™ Installation Cycle**

1. After plugging in the dryer the first time: wake up the dryer by pressing any button and then follow the prompts on the LCD User Interface, including language selection.
2. The Installation Cycle will automatically test for correct cord connection (on electric models), presence of gas supply (on gas models) and free flow of exhaust vent. At cycle completion, the LCD user interface may display **INSTALL PASS!**, meaning the dryer is properly installed and ready for use. If it prompts an action such as **SERVICE CORD, NO GAS** or **Call Service 877-435-3287**, review the installation steps and make the necessary corrections before attempting to use the dryer.
3. The dryer will exit the Installation Cycle and return to normal operation the next time the dryer is used.

**IQ -Touch™ Installation Cycle**

1. Empty dryer's drum and close door.
2. After you plug in the dryer the first time: wake up the dryer by pressing any button, rotate cycle knob to touch up cycle, press the start button and then the cancel button.
3. Wake up the dryer again by pressing any button, then immediately and simultaneously press and hold both the sanitize and my favorite buttons for 5 seconds, or until the LCD display changes.
4. The LCD window will display **INSTAL CYCLE** and show estimated time of cycle completion. Press the start button. The Installation Cycle will automatically test for correct cord connection (on electric models) and presence of gas supply (on gas models). At cycle completion, the LCD window may display **INSTALL PASS!**, meaning the dryer is properly installed and ready for use. If it prompts an action such as **SERVICE CORD, NO GAS** or **Call Service 877-435-3287**, review the installation steps and make the necessary corrections before attempting to use the dryer.
5. The washer will exit the Installation Cycle and return to normal operation the next time the washer is used.

 **NOTE**

Dryer will stay awake for 3 minutes after the Installation Cycle. If you wish to immediately run the dryer through a drying cycle, press the cancel button to put the unit to sleep and then awake it immediately, to continue the normal operating mode.

## Reversing Door

### Preparing to Reverse Door Swing

1. Be sure you have adequate swing area before reversing door.
2. You will need a screw driver with a #2 square bit.
3. Protect flat work surface, such as top of washer or floor near washer, with a soft cloth or towel.
4. Be sure washer is unplugged from power source.

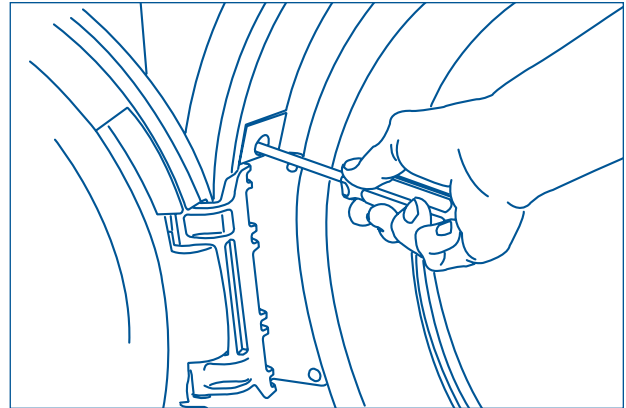


Figure 2-17.

### Removing Trim Ring

1. Open the door to a 90 degree angle.
2. Remove and save the trim plug and long, course-thread, panhead screw. (See Figure 2-17)
3. Close the door.
4. Rotate the door trim approximately  $\frac{3}{4}$ " counter-clockwise and pull it away from the front of the door. (See Figure 2-18)

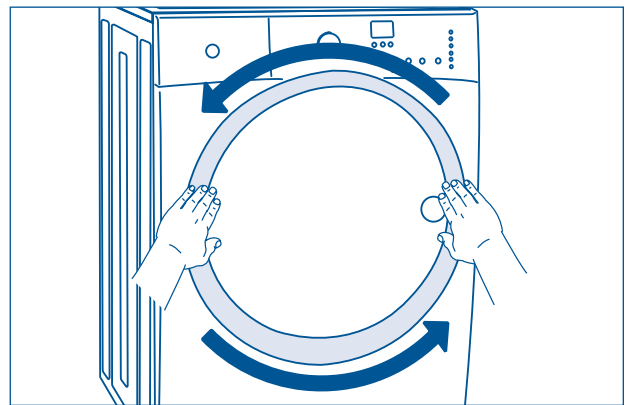


Figure 2-18.

### Removing Door from Hinge

1. Reopen door to 90 degree angle.
2. Remove 4 long, course-thread, counter-sunk hinge screws from door. (See Figure 2-19)
3. While supporting the weight of the door with both hands, separate the door from the hinge. (See Figure 2-20)
4. Gently place the door face down on a flat, covered work surface.

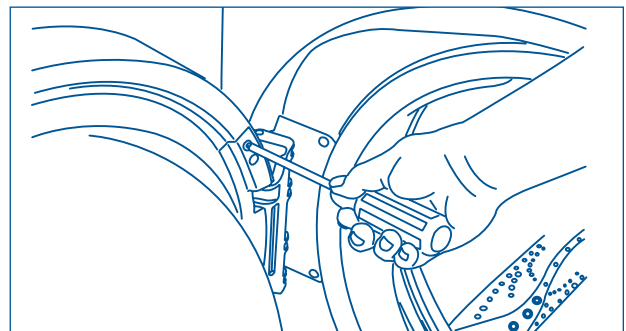


Figure 2-19.

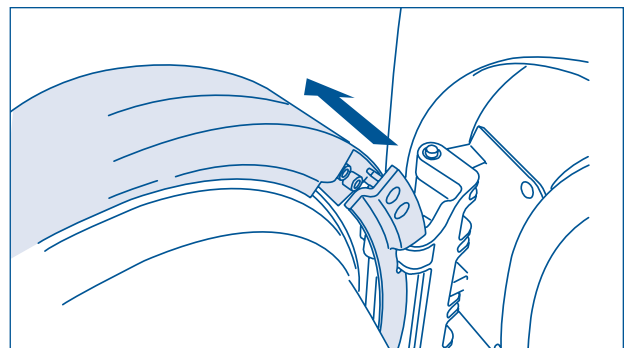


Figure 2-20.

### Removing Hinge from Front Panel

1. With the hinge in open position, remove 2 short, course-thread, panhead screws on hinge plate. (See Figure 2-21)
2. Remove 3 short, fine-thread, counter-sunk screws in hinge side. (See Figure 2-22)
3. Slide the hinge toward the center of the front panel, and then pivot the hinge inward while slowly pulling it away from the front panel to expose the attached harness.
4. Lift up on the tab and the release harness from the retainer, allowing the harness to lay outside the front panel. (See Figure 2-23)

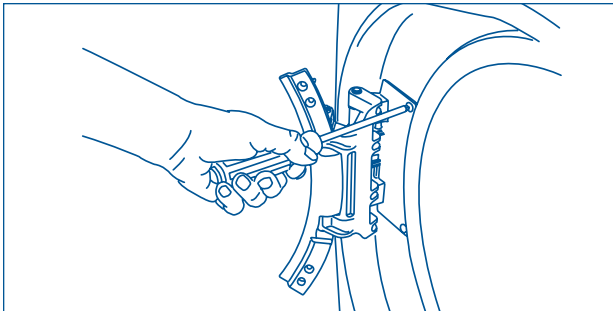


Figure 2-21.

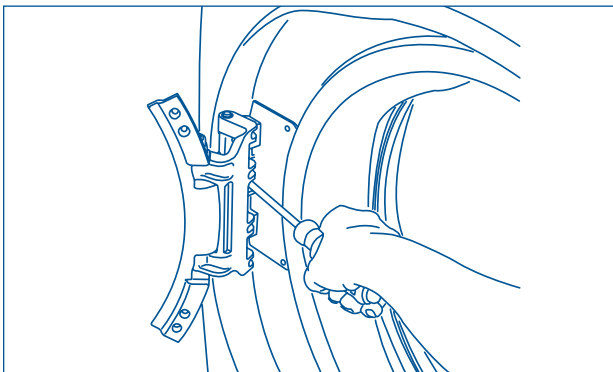


Figure 2-22.

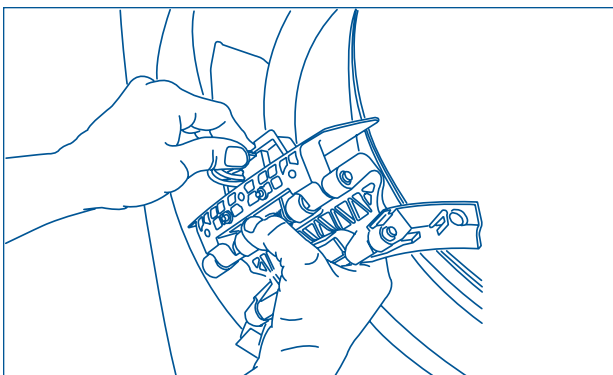


Figure 2-23.

### Removing Door Lock from Front Panel

1. Remove 2 short, course-thread, panhead screws from the door lock. (See Figure 2-24)
2. Slide the lock toward the outer edge of the front panel. Pivot the lock slightly outward while slowly pulling it through opening to expose the attached harness. (See Figure 2-25)
3. Release the harness from the terminal with the small lever on back of the lock. Separate the harness from the lock, allowing the harness to lay outside the front panel. (See Figure 2-26)

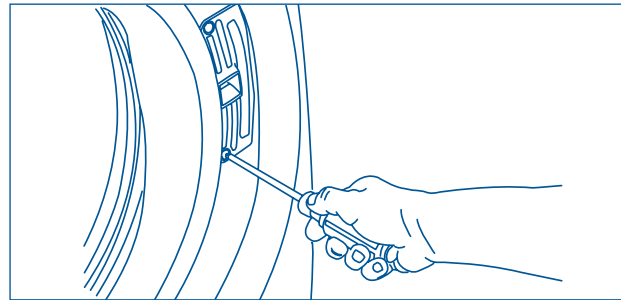


Figure 2-24.

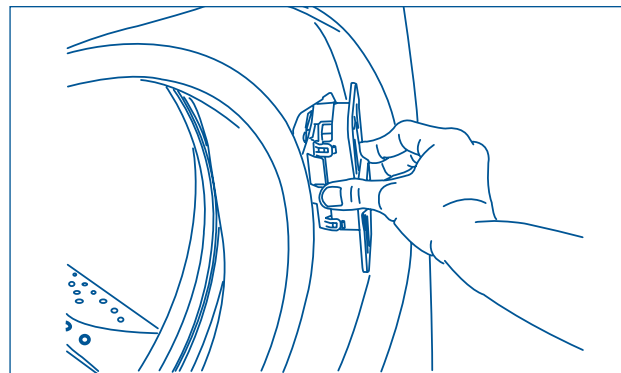


Figure 2-25.

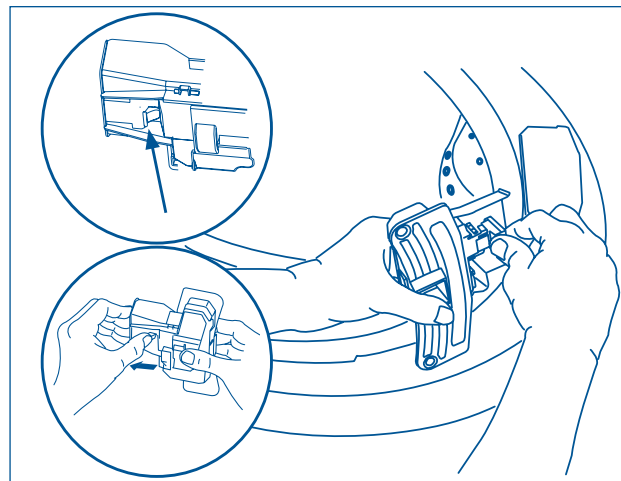


Figure 2-26.

## Reattaching Door Lock to Font Panel

1. Rotate the door lock and move it to the opposite opening.
2. Connect the harness to the door lock by inserting it in the terminal and firmly pushing it in place. (See Figure 2-27)
3. Insert the harness connection through the front panel first, and then pivot the lock until it is flush. Slide the lock toward the center of the front panel until the screw holes line up. (See Figure 2-28)
4. Secure the lock with 2 short, course-thread, panhead screws. (See Figure 2-29)

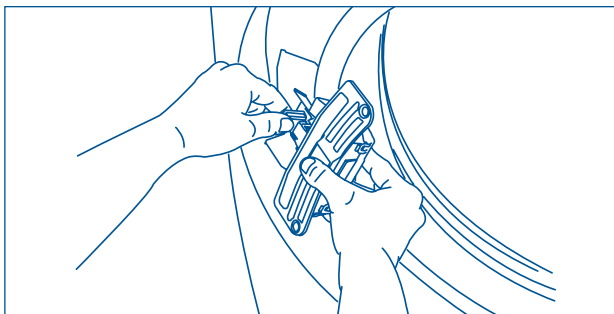


Figure 2-27.

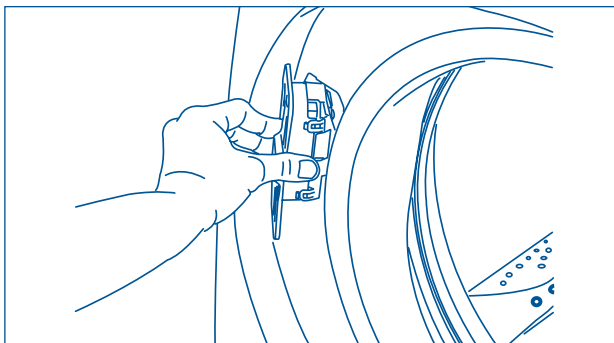


Figure 2-28.

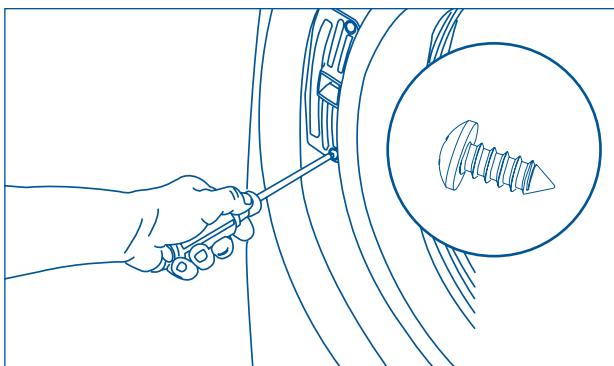


Figure 2-29.

## Reattaching Hinge to Front Panel

1. Rotate the hinge and move it to the opposite opening.
2. Connect the harness to the hinge retainer by inserting it in the retention terminal and gently pushing until you hear the fastening tab click. (See Figure 2-30)
3. Gently pull on the harness to be sure it is secure.
4. Use the side locating pins to align the hinge and install 1 short, fine-thread, counter-sunk screw in the center hole of hinge side. (See Figure 2-31)
5. Install the other 2 short, fine-thread, counter sunk screws in upper and lower holes of hinge side.
6. Install 2 short, course-thread, panhead screws through hinge plate. (See Figure 2-32)

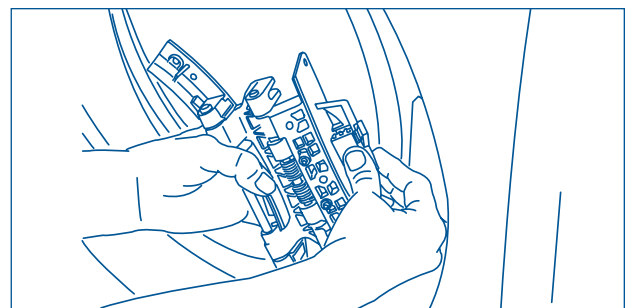


Figure 2-30.

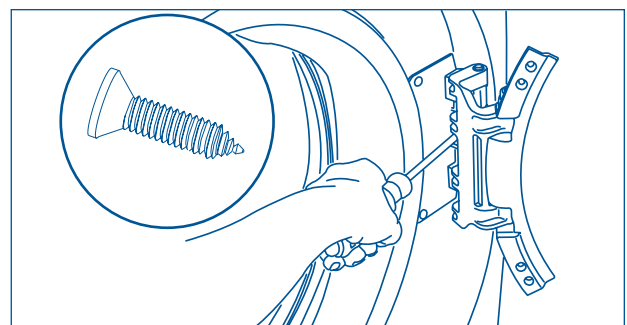


Figure 2-31.

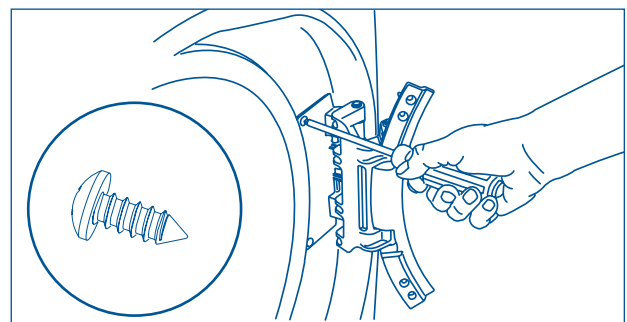


Figure 2-32.

### Removing Striker Plate

1. Remove 2 long, coarse-thread, counter-sunk screws and striker plate. (See Figure 2-33)
2. Set the striker plate to the side for later.

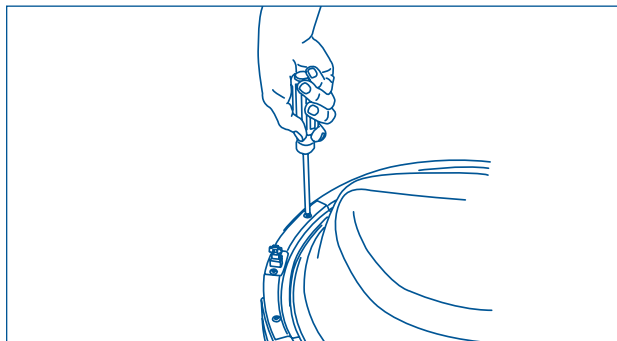


Figure 2-33.

### Removing Latch Indicator

1. Grasp the indicator on the latch side between finger and thumb and rock it upward, pivoting away from the center of the glass. (See Figure 2-34)
2. Gently push the indicator toward the center of the lens to release the tab. (See Figure 2-35)
3. Rock the tab upward. (See Figure 2-35)
4. Pull the indicator out and set it aside. (See Figure 2-36)

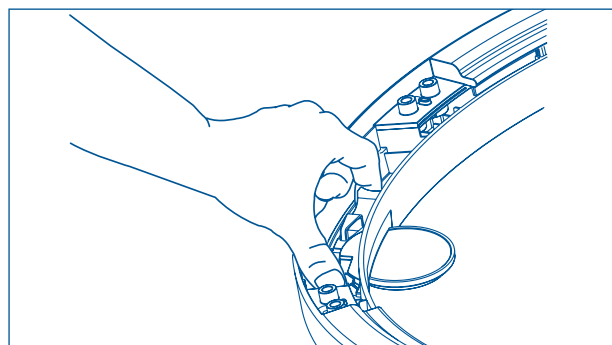


Figure 2-34.

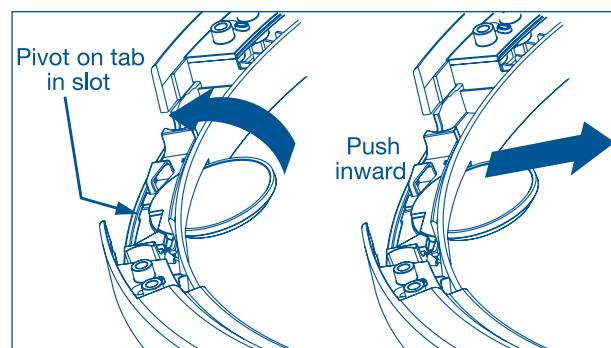


Figure 2-35.

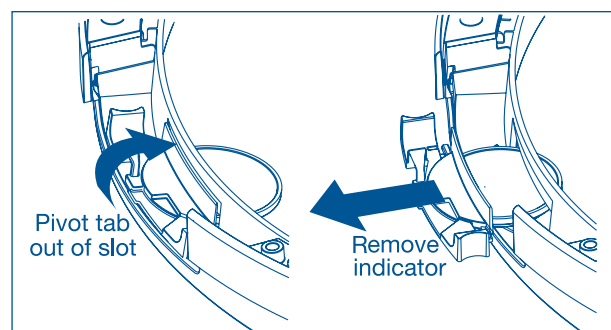


Figure 2-36.

## Removing Hole Plug

1. Grasp the hole plug between finger and thumb and rock it upward, pivoting it away from the center of the glass, releasing the tab. (See Figure 2-37)
2. Connect the harness to the door lock by inserting it in the terminal and firmly pushing it in place.
3. Insert the harness connection through the front panel first, and then pivot the lock until it is flush. Slide the lock toward the center of the front panel until the screw holes line up. (See Figure 2-38)
4. Secure the lock with 2 short, coarse-thread, panhead screws.

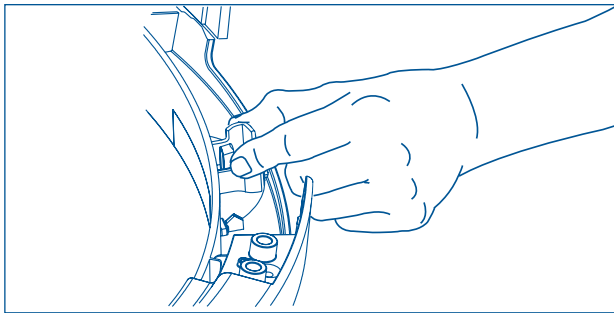


Figure 2-37.

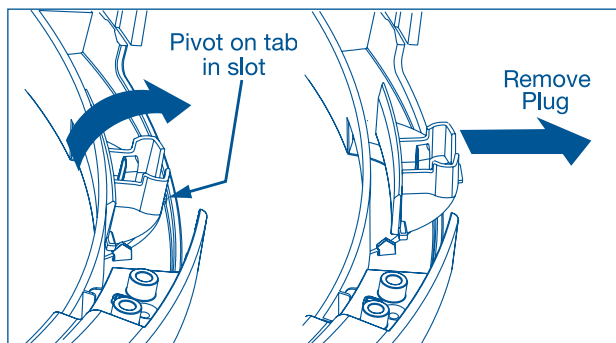


Figure 2-38.

## Reinserting Latch Indicator

1. Rotate the latch indicator and move it to the opposite hole in the door.
2. Grasp the indicator between finger and thumb and slide it through the opening. (See Figure 2-39)
3. Gently push the indicator toward the center of the glass and pivot the tab downward into the retaining slot. (See Figure 2-40)
4. Pivot the indicator downward toward the center of the glass until it is in place.

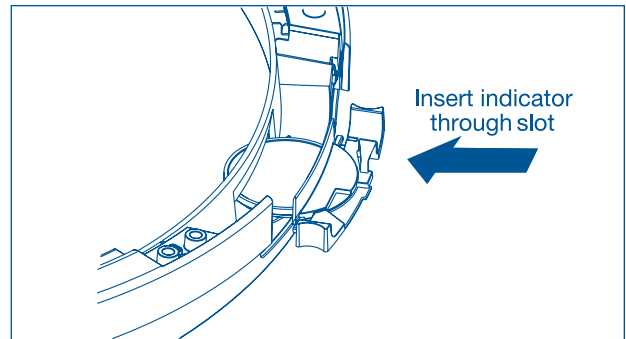


Figure 2-39.

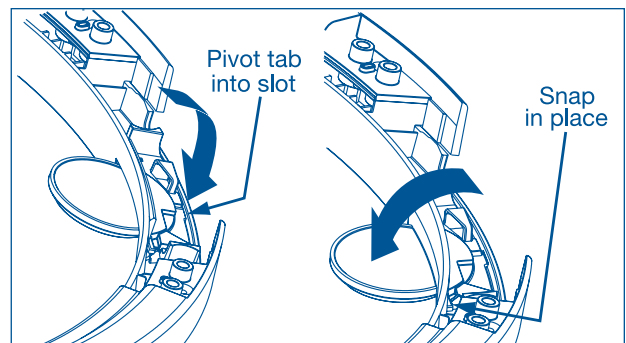


Figure 2-40.

### Reattaching Striker Plate

1. Rotate the striker plate and move it to the opposite side of door above the indicator.
2. Reattach with 2 long, coarse-thread, counter-sunk screws. (See Figure 2-41)

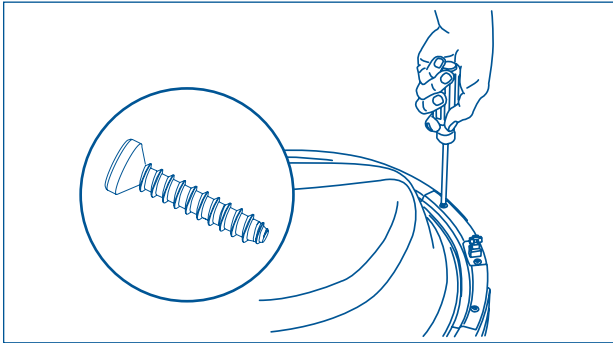


Figure 2-41.

### Reinserting Hole Plug

1. Rotate the hole plug and move it to the opposite hole in the door.
2. Grasp the hole plug between finger and thumb and insert the tab into the retaining slot. (See Figure 2-42)
3. Pivot the hole plug downward toward the center of the glass until it is in place.

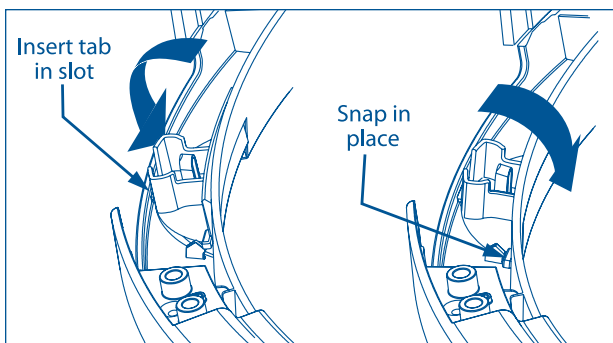


Figure 2-42.

### Reattaching Door Assembly

1. Open the hinge to a 90 degree angle.
2. Install the door onto the hinge locating pins. (See Figure 2-43)
3. Secure the door with 4 long, coarse-thread, counter-sunk screws. (See Figure 2-44)
4. Close the door and test the operation of the latch.

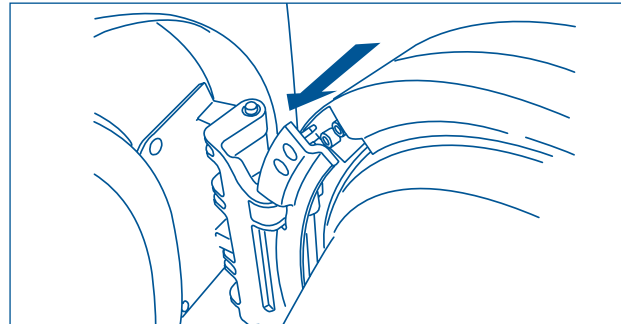


Figure 2-43.

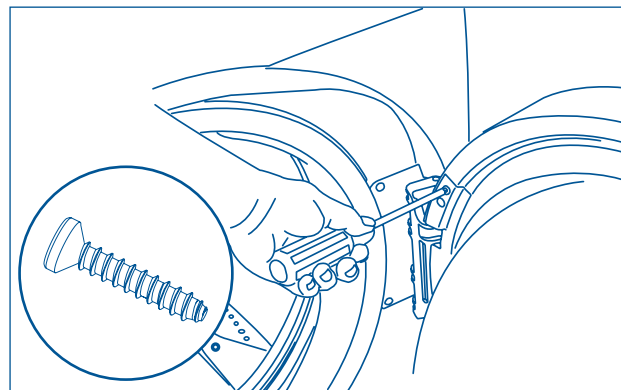


Figure 2-44.

## Reversing Trim Ring

1. Trim ring orientation is marked on the back.
2. Remove the trim ring cover plate. To remove the cover plate from the right, pivot point is up. To remove the cover plate from the left, pivot point is down. (See Figure 2-45)

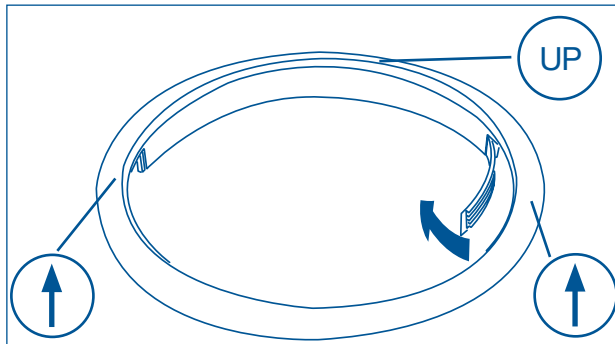


Figure 2-45.

## Reinstalling Trim Plug

1. Open the door to a 90 degree angle.
2. Install the trim plug with 1 long, coarse thread, panhead screw. (See Figure 2-47)
3. Plug in washer and continue operation.

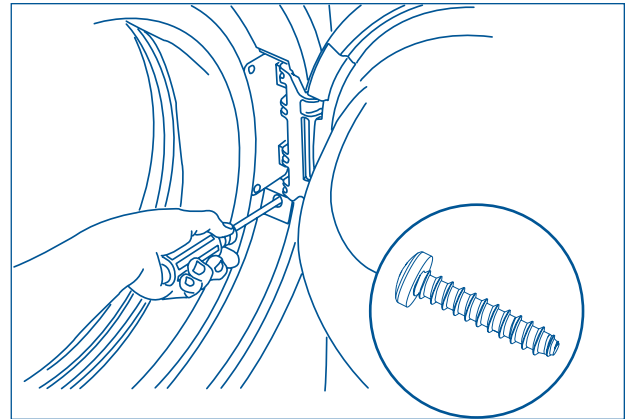


Figure 2-47.

## Reinstalling Trim Ring

1. Close the door.
2. Orient the trim so 12 position is approximately  $\frac{3}{4}$ " to the left of top center. The opening in the trim ring should be on the hinge side.
3. Insert the trim ring in the slots and rotate it clockwise approximately  $\frac{3}{4}$ ". (See Figure 2-46)

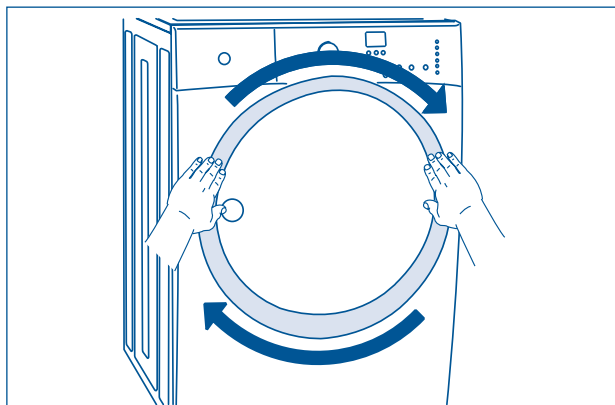


Figure 2-46.



### Accessories

#### Matching Storage Pedestal

Island White Pedestal - P/N EPWD15IW

Mediterranean Blue - P/N EPWD15MB

Silver Sands Pedestal - P/N EPWD15SS

Turquoise Sky Pedestal - P/N EPWD15TS

A storage pedestal accessory, specifically designed for this washer may be used to elevate the dryer for ease of use. This pedestal will add about 15" (38.1cm) to the height of your unit for a total height of 53" (134.62 cm).

#### Dryer Stacking Kit

A kit for stacking the matching dryer on top of this washer is available with the purchase of the matching dryer.

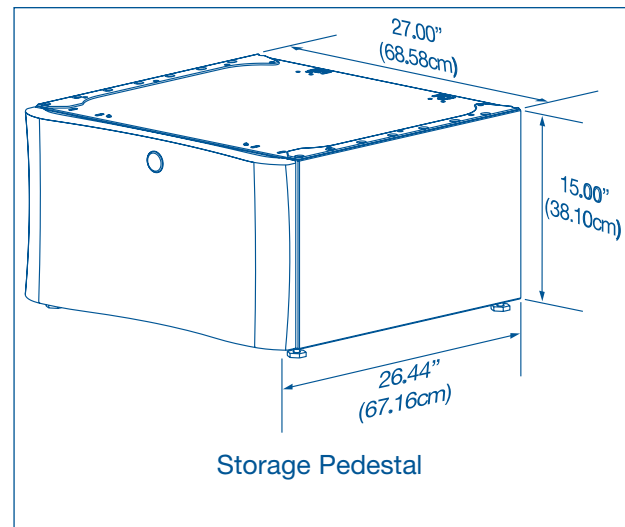


Figure 2-48. Accessories

## Dryer Stacking Instructions

**Kit Components:** (See Figure 2-49)

- 1 Dryer Stacking Instructions.
- A. 1 Front bracket with adhesive strip.  
**IMPORTANT - DO NOT** remove RED backing from adhesive strip until instructed to do so.
- B. 2 rear brackets.
- C. 2 strips of self-adhesive protective film.
- D. (6) #10 (16 x 3.75) screws.

### Preparing to Stack

1. Be sure there is adequate space to stack dryer on top of washer.
2. You will need a screw driver with a #2 square bit, isopropyl alcohol and a clean cloth.
3. Read washer and dryer installation instructions packed with each appliance prior to stacking.
4. Be sure washer and dryer are both unplugged.

### Preparing Dryer for Stacking

1. If already installed, disconnect dryer from electrical and gas connections and exhaust venting. On models with Steam Option, disconnect water supply to dryer.
2. Protect floor with cardboard or other covering and carefully tip dryer onto its back. (See Figure 2-50)
3. Remove adjustable leveling legs and save for future use.
4. Attach front stacking bracket to dryer front with (2) - #10 screws. (See Figure 2-51)

#### **IMPORTANT**

**DO NOT REMOVE RED BACKING FROM ADHESIVE STRIP YET!**

**DO NOT REMOVE ANY EXISTING SCREWS FROM FRONT PANEL!**

5. Carefully return dryer to upright position.

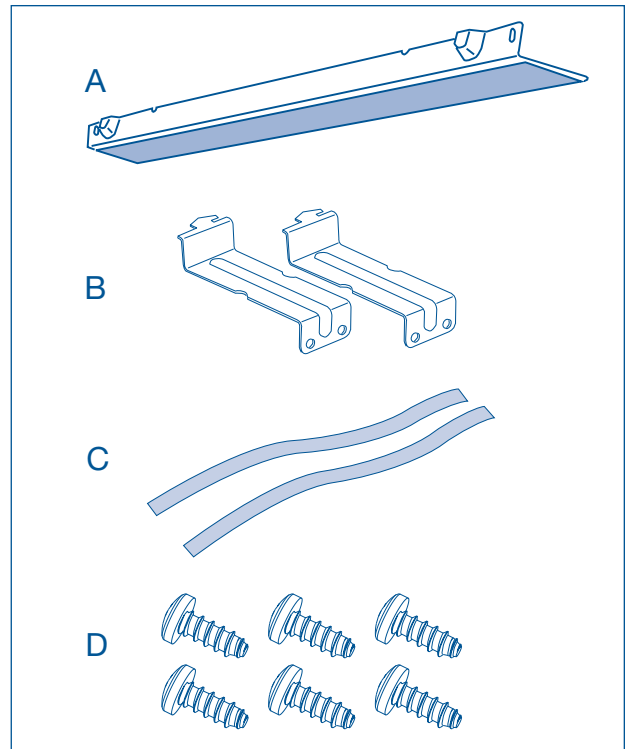


Figure 2-49.

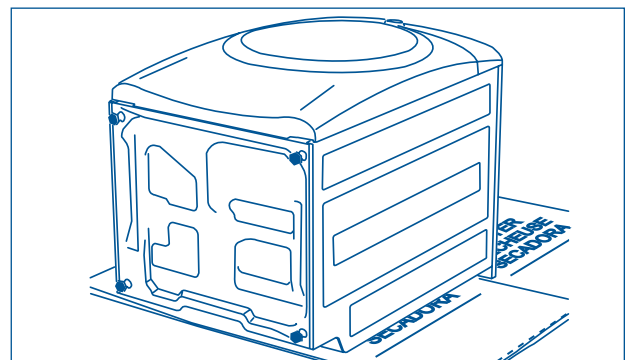


Figure 2-50.

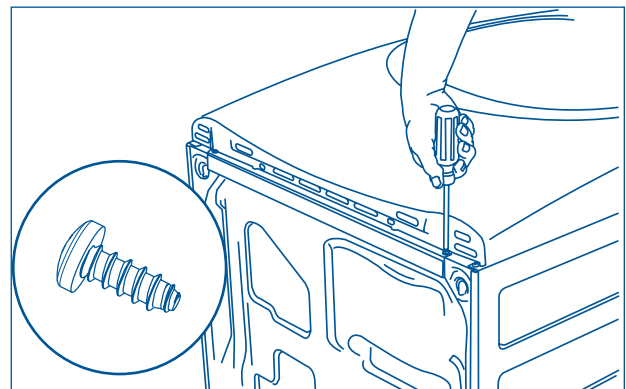


Figure 2-51.

### Prepare Top Surface of Washer:

1. Wipe front portion of top with isopropyl alcohol and a clean cloth. (See Figure 2-52)
2. Carefully remove BLUE backing from clear self adhesive strips. Apply to each side edge of the washer top. (See Figure 2-53)
3. Attach each rear bracket to washer top with 2 #10 screws. (See Figure 2-54)

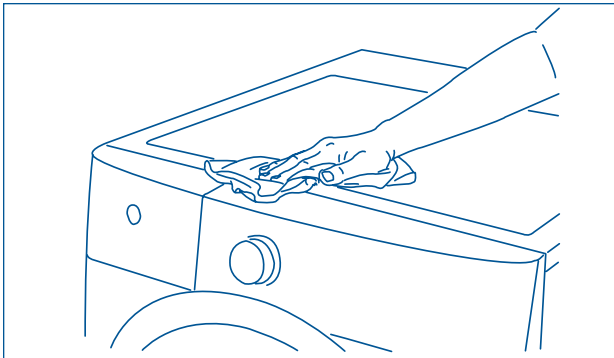


Figure 2-52.

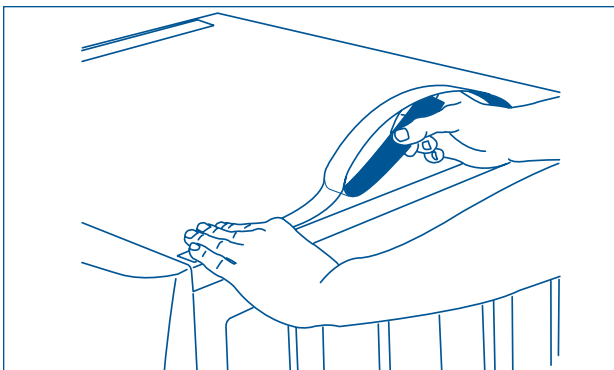


Figure 2-53.

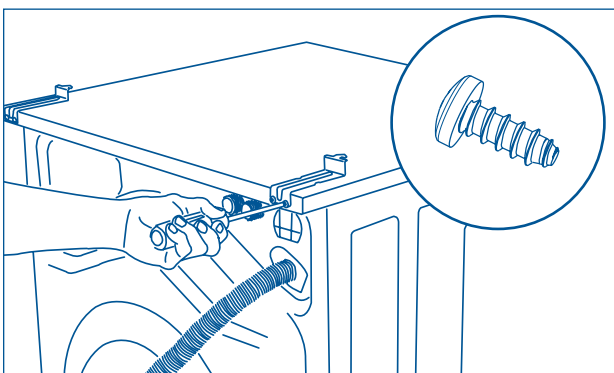


Figure 2-54.

### Stacking Dryer

1. When washer is within 4 feet of its final installation site, electrical and water connections have been completed, and washer is level, have two or more people lift the dryer onto washer.
2. Hold the front of the dryer up slightly carefully slide the dryer back.
3. Slide hook tabs on rear brackets into slots in back sheet of dryer. Dryer will be approximately 1/4" left of center. Continue sliding dryer back until tabs are fully engaged. (See Figure 2-55)
4. Slide dryer approximately 1/4" to the right, centering it on washer and hooking rear bracket tabs into slots on back.
5. Lift front of dryer and remove RED backing from adhesive strip on front bracket. (See Figure 2-56)
6. Gently lower dryer to adhere front bracket to washer top. Align dryer side panel to washer side panel as you lower dryer.
7. Refer to installation instructions to connect dryer venting, power and accessories.

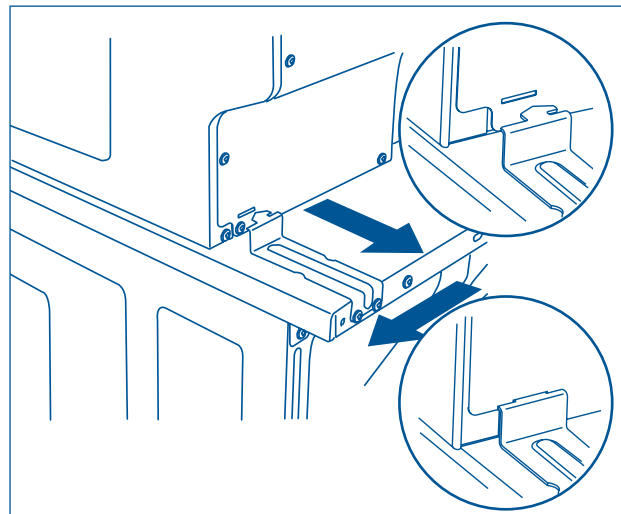


Figure 2-55.

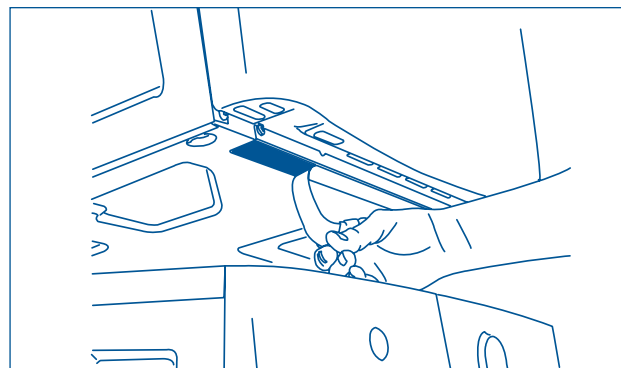


Figure 2-56.

### Removing Stacked Dryer

1. Disconnect dryer from electrical and gas connections and exhaust venting. On models with Steam Option, disconnect water supply to dryer.
2. Disconnect washer from electrical source.
3. With #2 square bit screwdriver, remove two front bracket screws and save for reinstallation. (See Figure 2-57)
4. Slide the dryer approximately ¼" to the left to disengage dryer from rear brackets.
5. Support the front of the dryer, clearing the front bracket, while sliding the dryer forward. Have two or more people lift the dryer off the washer and gently place it on the floor.

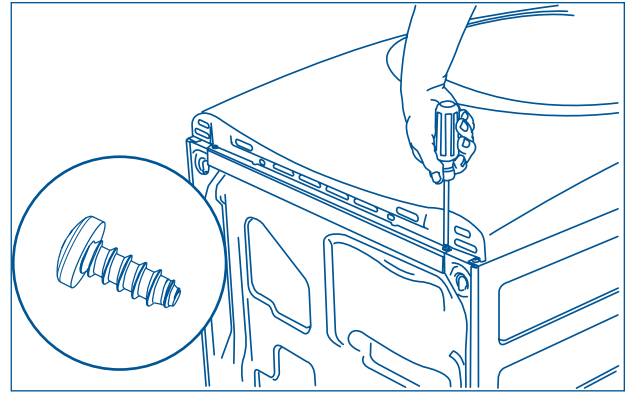


Figure 2-57.

#### NOTE

If laundry appliances must be moved, front and rear mounting brackets may remain attached to the washer top until the dryer is restacked. To permanently unstack the units and remove the front bracket, use a 24" piece of monofilament (fishing) line to carefully saw back and forth under the adhesive strip. Remove residue with a general adhesive remover.

# Section 3

## Electronic Control

## Control Panel (User Interface Layout) Wave-Touch™

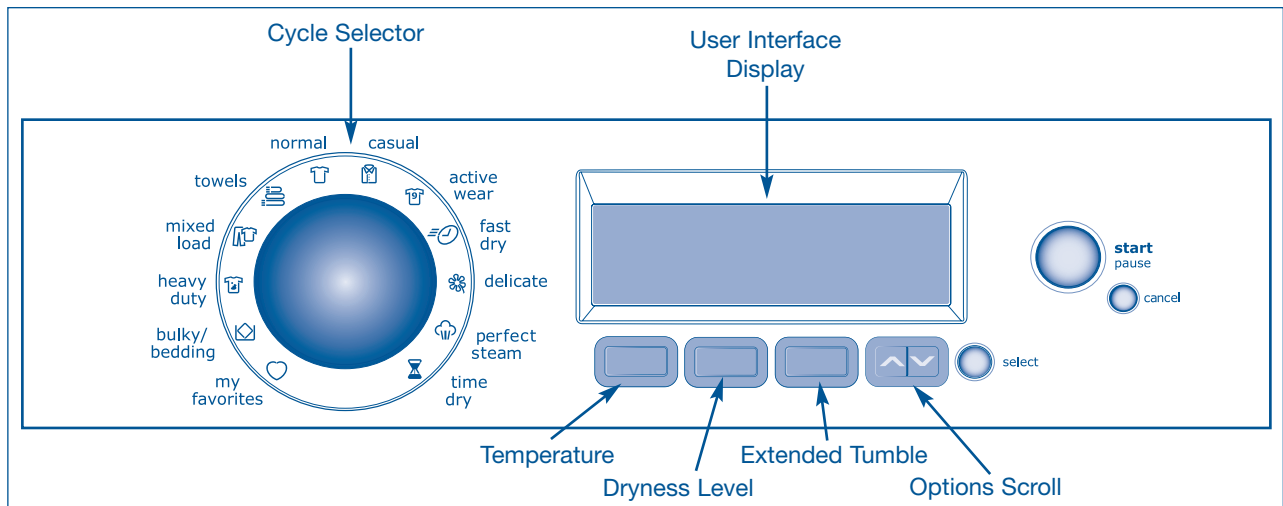


Figure 3-1. Wave-Touch™ Control Panel

**Selecting the Appropriate Cycle and Settings Overview**

Turn the cycle selector knob in either direction to select the cycle desired. The icon for that cycle will be illuminated and if the cycle description feature is turned on, the cycle and estimated cycle time are displayed on the User Interface screen for 5 seconds. Press any key to advance the User Interface to select settings and options.

Press any key or the User Interface screen will automatically advance after 5 seconds and display the preset drying temperature, dryness level (Auto Dry) or drying time (Time Dry), extended tumble time, and options for the cycle selected will be displayed.

To change the settings, press the temp, dryness level (Auto Dry) or drying time (Time Dry) and extended tumble buttons to scroll to the desired settings. Press the scroll up or scroll down buttons under options to scroll through the options menu. Press the select button to add or delete options. The estimated cycle time will be displayed at the top of the screens.

Adjustments to a cycle will be remembered and recalled each time that cycle is selected in the future. To return to the factory default settings, select RESET in set prefs under the options scroll buttons.

### Wave-Touch™ Dryer Options Chart

These Temperature, Dryness levels and Options are available with the following cycles:

	 bulky/ bedding	 heavy duty	 mixed load	 towels	 normal	 casual	 active wear	 fast dry	 delicate	 touch up	 time dry
Estimated Cycle Duration**	60 min	70 min	55 min	50 min	45 min	35 min	30 min	18 min	25 min	15 min	15-90 min

#### Temperature

maximum temp		✓		✓				✓			✓
high temp		✓*		✓*	✓			✓*			✓
med high temp	✓	✓	✓	✓	✓*	✓		✓			✓*
medium temp	✓*		✓*		✓	✓*	✓				✓
med low temp	✓		✓			✓	✓*		✓		✓
low temp							✓		✓*	✓*	✓
air fluff temp											✓

#### Dryness

maximum dry		✓		✓							
more dry		✓	✓	✓*	✓						
normal dry	✓*	✓*	✓*	✓	✓*	✓*	✓		✓		
less dry	✓	✓	✓		✓	✓	✓*		✓*		
damp dry			✓		✓	✓	✓		✓		

#### Options

damp alert	✓	✓	✓		✓	✓	✓		✓		
extended tumble	✓	✓	✓		✓	✓*	✓		✓		✓
wrinkle release	✓	✓	✓		✓	✓	✓		✓		
delicate heat	✓	✓	✓		✓	✓*	✓*		✓*		✓
shrink guard	✓	✓*	✓		✓	✓	✓		✓		✓
sanitize		✓		✓	✓						
gentle tumble	✓	✓	✓	✓	✓	✓*	✓		✓*	✓*	





\* Factory presets

✓ Available selections

\*\* Estimated cycle duration is based on default dryness level and factory settings.

## Wave-Touch™ Dryer Options Chart (Steam Model)

These Temperature, Dryness levels and Options are available with the following cycles:

	bulky/ bedding	heavy duty	mixed load	towels	normal	casual	active wear	fast dry	delicate	perfect steam™	time dry
											
Estimated Cycle Duration**	60 min	70 min	55 min	50 min	45 min	35 min	30 min	18 min	25 min	15 min	15-90 min

### Temperature

maximum temp		✓		✓				✓			✓
high temp		✓*		✓*	✓			✓*			✓
med high temp	✓	✓	✓	✓	✓*	✓		✓			✓*
medium temp	✓*		✓*		✓	✓*	✓				✓
med low temp	✓		✓			✓	✓*		✓		✓
low temp							✓		✓*	✓*	✓
air fluff temp											✓

### Dryness

maximum dry		✓		✓							
more dry		✓	✓	✓*	✓						
normal dry	✓*	✓*	✓*	✓	✓*	✓*	✓		✓		
less dry	✓	✓	✓		✓	✓	✓*		✓*		
damp dry			✓		✓	✓	✓		✓		

### Options

damp alert	✓	✓	✓		✓	✓	✓		✓		
extended tumble	✓	✓	✓		✓	✓*	✓		✓		✓
wrinkle release	✓	✓	✓		✓	✓	✓		✓		
delicate heat	✓	✓	✓		✓	✓*	✓*		✓*		✓
shrink guard	✓	✓*	✓		✓	✓	✓		✓		✓
sanitize		✓		✓	✓						
add steam			✓		✓	✓			✓	✓ <sup>1</sup>	
gentle tumble	✓	✓	✓	✓	✓	✓*	✓		✓*	✓*	

\* Factory presets

✓ Available selections

\*\*Estimated cycle duration is based on default dryness level and factory settings.

<sup>1</sup> This option is cannot be deselected.



### Control Panel (User Interface Layout) IQ-Touch™

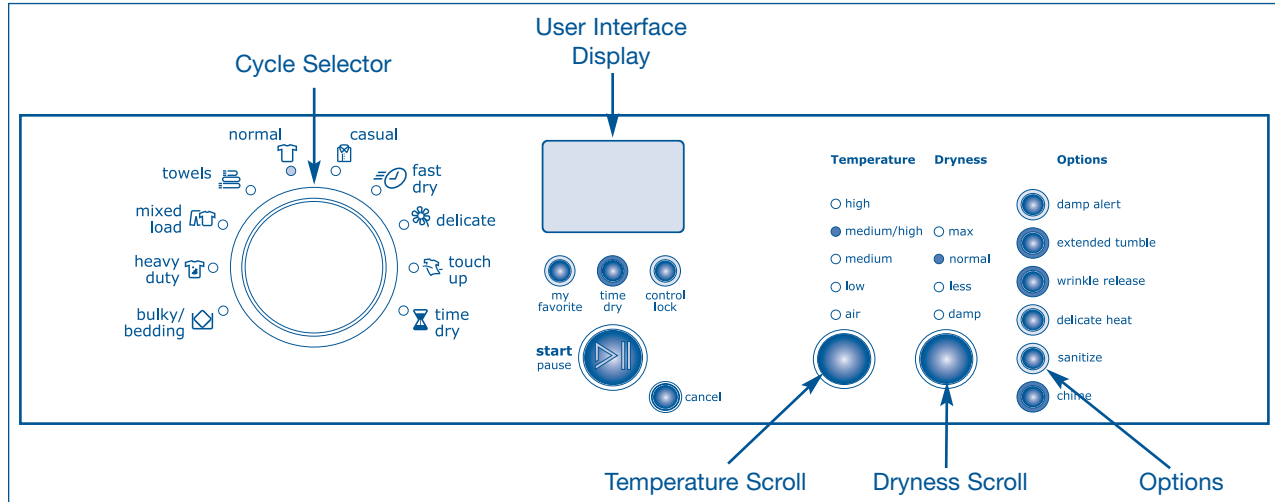


Figure 3-2. IQ-Touch™ Control Panel

#### Selecting the Appropriate Cycle and Settings Overview

Turn the cycle selector knob in either direction to select the cycle desired. The indicator for that cycle will be illuminated.

A suitable drying temperature, dryness level and options will automatically be indicated for the cycle selected.

To change the settings, press the temperature, dryness and options buttons to scroll to the desired settings.

To select or delete an option, press the button for that option. The indicator will light when the option has been selected. It will no longer be lighted when the option has been deleted.

Adjustments to a cycle will be remembered and recalled each time that cycle is selected in the future.

To return to factory settings, press the temperature and dryness buttons at the same time and hold for 5 seconds.

## IQ-Touch™ Dryer Options Chart

These Temperature, Dryness levels and Options are available with the following cycles:

	bulky/ bedding	heavy duty	mixed load	towels	normal	casual	fast dry	delicate	touch up	time dry
										
Estimated Cycle Duration**	60 min	70 min	55 min	50 min	45 min	35 min	18 min	25 min	15 min	15-75 min

### Temperature

high		✓*		✓*	✓		✓*			✓
medium/high	✓	✓	✓	✓	✓*	✓	✓			✓*
medium	✓*		✓*		✓	✓*				✓
low								✓*	✓*	✓
air										✓

### Dryness

max		✓	✓	✓*	✓					
normal	✓*	✓*	✓*	✓	✓*	✓*		✓		
less	✓	✓	✓		✓	✓		✓*		
damp			✓		✓	✓		✓		

### Options

damp alert	✓	✓	✓		✓	✓		✓		
extended tumble	✓	✓	✓		✓	✓*		✓		✓
wrinkle release	✓	✓	✓		✓	✓		✓		
delicate heat	✓	✓	✓		✓	✓*		✓*		✓
sanitize		✓		✓	✓					
chime	✓	✓	✓	✓	✓	✓	✓	✓	✓	✓

\* Factory presets

✓ Available selections

\*\*Estimated cycle duration is based on default dryness level and factory settings.

### Cycle Selection

#### NOTE

The following cycle descriptions are for the Wave Touch™ and IQ Touch™ Dryers. The IQ Touch™ models do not feature the Steam option and the active wear preset.

Turn the cycle selector in either direction to the cycle desired. The icon for that cycle will be illuminated. Press on the cycle selector knob to extend it or return it flush to the console.

To change the selection after the cycle begins, press cancel before making another choice. Just turning the cycle selector knob to another selection will not change the cycle.

#### Auto Dry Cycles

Moisture sensing bars at the back of the dryer drum sense the moisture level of the load as it tumbles through the heated air. With Auto Dry cycles, the load will automatically be dried at the selected temperature to the desired dryness level. When the load has reached the selected dryness level, it will continue to tumble, unheated, during a cool down period.

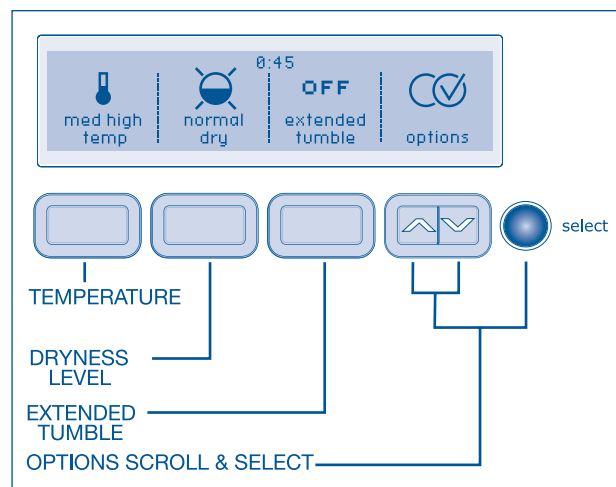
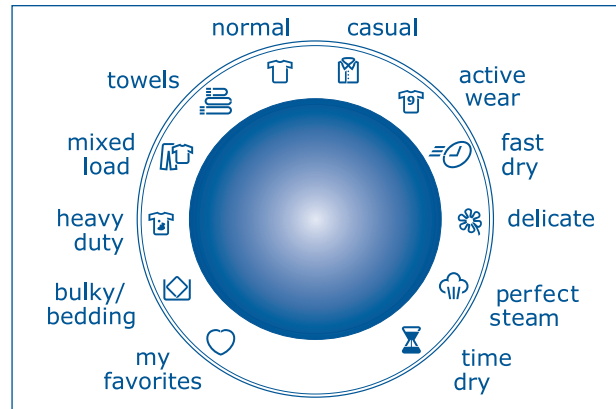
Drying time varies depending on size and dampness of load and fabric type. If the load is too small or almost dry, the moisture sensing bars may not detect enough moisture to continue the cycle and the cycle may end after a few minutes. If this occurs, then select the time dry cycle to dry such loads.

#### Normal

Select this cycle to dry everyday fabrics including cottons and sheets with high temp, med high temp or medium temp heat. All dryness levels except maximum dry and all options including sanitize are available with this Auto Dry cycle. If equipped with Perfect Steam™, the add steam option is also available with this cycle.

#### Towels

Select this cycle to dry heavy loads such as towels and bath mats with maximum temp, high temp or med high temp heat. The maximum dry, more dry and normal dry dryness levels and the gentle tumble and sanitize options are available with this Auto Dry cycle.



## Mixed Load

Select this cycle to dry loads containing a mix of fabrics with med high temp, medium temp, or med low temp heat. All dryness levels except maximum dry and all options except sanitize are available with this Auto Dry cycle. If equipped with Perfect Steam™, the add steam option is also available with this cycle.

## Heavy Duty

Select this cycle to dry durable fabrics such as jeans and overalls with maximum temp, high temp, or med high temp heat. All dryness levels except damp dry and all options including sanitize are available with this Auto Dry cycle.

## Bulky/ Bedding

Select this cycle to dry bedding and bulky items such as comforters, blankets, sleeping bags and parkas with med high temp, medium temp, or med low temp heat. Normal dry and less dry dryness levels and all options except sanitize are available with this Auto Dry cycle.

## Casual

Select this cycle to dry cottons and blends with a no-iron finish using med high temp, medium temp, or med low temp heat. Normal dry, less dry, and damp dry dryness levels and all options except sanitize are available with this Auto Dry cycle. If equipped with Perfect Steam™, the add steam option is also available with this cycle.

## Active Wear

Select this cycle to dry lightweight synthetic athletic apparel including stretch fabrics with medium temp, med low temp or low temp heat. Normal dry, less dry, and damp dry dryness levels and all options except sanitize are available with this Auto Dry cycle.

## Delicate

Select this cycle to dry knits and delicates with med low temp or low temp heat. Normal dry, less dry, and damp dry dryness levels and all options except sanitize are available with this Auto Dry cycle.

## Time Dry Cycles

### **WARNING**

**FIRE HAZARD**  
TO AVOID FIRE HAZARD, DO NOT USE HEAT TO DRY ITEMS CONTAINING FEATHERS OR DOWN, FOAM RUBBER, PLASTICS SIMILARLY TEXTURED, RUBBER-LIKE MATERIALS. USE THE TIME DRY CYCLE AND THE AIR (NO HEAT) SETTING.

## Time Dry

To manually select the drying time for any load, turn the cycle selector knob to time dry and press the drying time button to select up to 90 minutes of drying time in 15-minute increments. Select any drying temperature. Dryness levels are not selectable with Time Dry cycles. The extended tumble, wrinkle release, delicate heat and shrink guard options are available with the time dry cycle.

## Fast Dry

Select this cycle to quickly dry small loads in 18 minutes with maximum temp, high temp, or med high temp heat. No options are available with this Time Dry cycle.

## Touch Up (non-steam models only)

Select this cycle to remove wrinkles from clean, dry items that may have been left in the dryer, stored in crowded closets or drawers or unpacked from luggage. The load will tumble for 15 minutes on low temp heat. The gentle tumble option is available with this Time Dry cycle.

## Perfect Steam (steam models only)

Select this cycle to refresh fabrics, remove odors and reduce static by injecting the perfect amount of cold water into clothing that has been left in the dryer, stored in crowded closets, drawers, or unpacked luggage. The load will tumble for 15 minutes on low temp heat while cold water is injected into the drum. The gentle tumble option is available with this Time Dry cycle.

**My Favorites (Wave Touch™)**

To select one of your 3 favorite cycles:

- Turn the cycle selector knob to my favorites.
- Press the button corresponding to the favorite cycle desired. The custom cycle, settings, and options saved will automatically be displayed.
- Press the start button to begin the cycle.

For example, to select your my shirts cycle, turn the cycle selector knob to my favorites. Press the button corresponding to my shirts, and then press start.

If more than one user has been entered in CUSTOM MODE:

1. The current user's name will be displayed when the washer is turned on if CUSTOM MODE is on.
2. Press the button under OK to continue using that user's favorite cycles.
3. The icon for the last cycle run will light up.
4. Turn the cycle selector knob to my favorites.
5. Select one of the 3 customized cycles by pressing the corresponding button.
6. Press the start button.

To change users:

1. Press the select button when the washer turns on and shows the current user's name.
2. Press the button under change users.
3. Select another user's name.
4. Press the button under EXIT.
5. The icon for the last cycle run will light up.
6. Turn the cycle selector knob to my favorites.
7. Select one of the 3 customized cycles by pressing the corresponding button.
8. Press the start button.

To select a user if a user's name is not displayed when the washer is turned on:

1. Press the options buttons to scroll to set prefs and then press the select button.
2. If necessary, press the options buttons to scroll to CUSTOM MODE and then press the select button.
3. Press the button corresponding to the user's name.
4. The icon for the last cycle run will light up.
5. Turn the cycle selector knob to my favorites.
6. Select one of the 3 customized cycles by pressing the corresponding button.
7. Press the start button.

## Drying Temperature

### Auto Dry

The appropriate drying temperature will automatically be indicated for the cycle selected.

To change the preset temperature, press the temperature button to scroll to the desired setting. To protect fabrics, not all temperatures are available with every cycle. If a temperature is not appropriate for the cycle, it will not be displayed.

The temperature selected for the cycle will be remembered each time that cycle is selected in the future.

### Maximum Temp

Recommended to use with the sanitize option for towels and heavy duty loads.

### High Temp

Recommended for durable fabrics.

### Med High Temp

Recommended for most cotton fabrics.

### Medium Temp

Recommended for wrinkle free, easy care light-weight fabrics and bulky loads.

### Med Low Temp

Recommended for knits.

### Low Temp

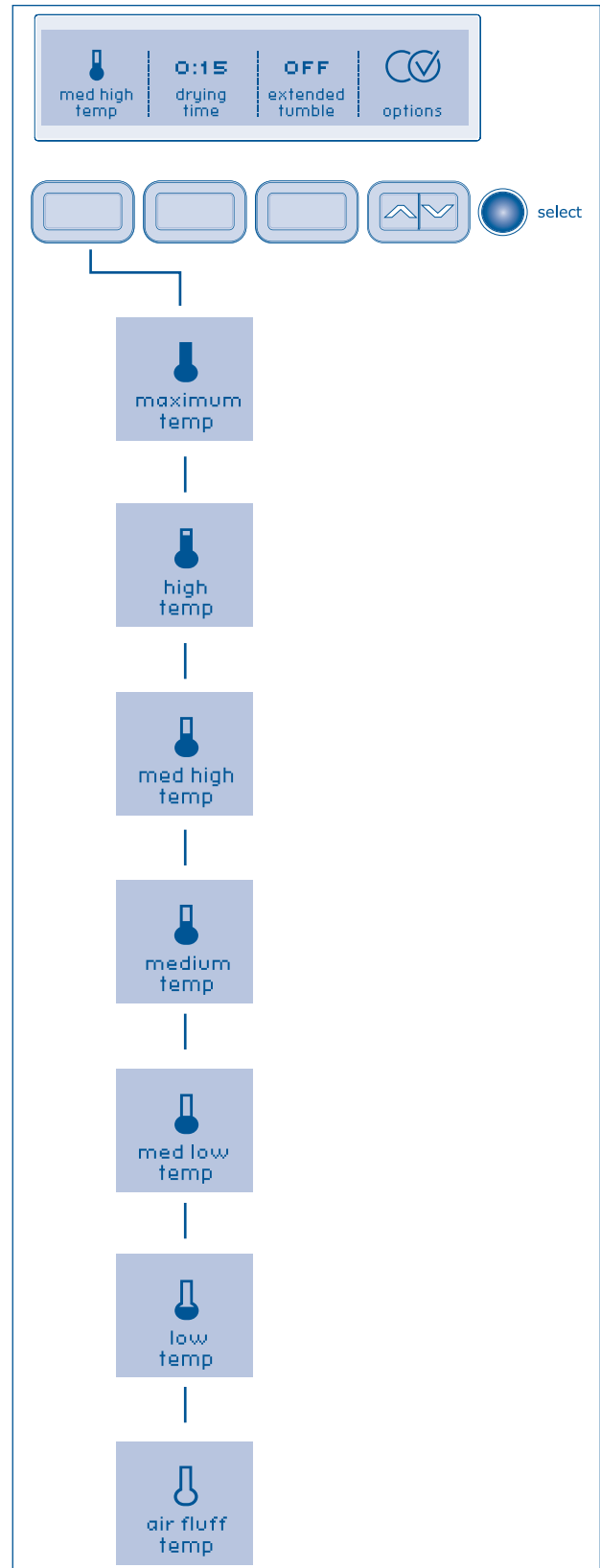
Recommended for delicate fabrics.

### Air Fluff Temp

This setting (no heat) should only be used with a time dry cycle to dry items containing feathers, down, foam rubber, plastics or rubber-like materials; to refresh clothing, stuffed animals, pillows or blankets; and to dust draperies.

### Time Dry

Press the drying time button to select up to 90 minutes of drying time in 15-minute increments. This setting is only available with the time dry cycle.



### Options

Suitable options will automatically be indicated when the cycle is selected.

To add options, press the corresponding options buttons to illuminate the selections desired. To delete options, press the options buttons again and the indicator lights will turn off. Not all options are available with every cycle. The indicator will not light if the option is not available with that Cycle.

All options selected for the cycle, except sanitize, will be remembered and recalled each time that cycle is selected in the future. To prevent unintentional and accidental exposure of delicate material to sanitize heat, the sanitize option will not be remembered and must be reselected each time.

#### Add Steam (steam models only)

The add steam option injects steam into the clothing prior to cool down to reduce wrinkling, ironing and static cling.

#### Extended Tumble

Select the extended tumble option if the dried load might not be removed promptly at the end of the cycle. The dry load will tumble continuously without heat for 30 minutes. "Ext. Tumble" will be displayed and a chime will sound every 5 minutes to remind you to remove the dried load. The wrinkle release option can be selected with extended tumble to increase the amount of time the load will tumble without heat.

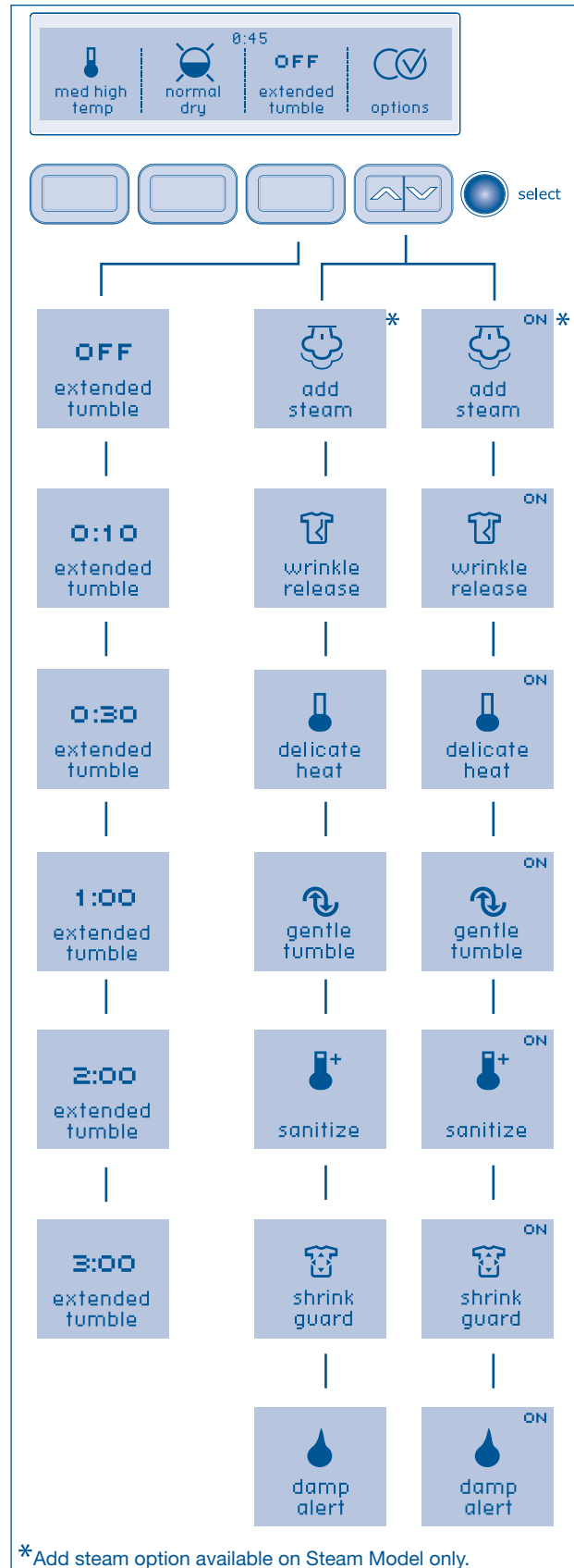
#### Wrinkle Release (IQ Touch)

Select the wrinkle release option if the dried load might not be removed promptly at the end of the cycle. To help prevent wrinkles, the dry load will intermittently tumble for a total of 45 minutes. "Wrinkle Rel." will be displayed and a chime will sound every 5 minutes to remind you to remove the dried load.

The extended tumble option can be selected with wrinkle release to add another 30 minutes of tumbling without heat.

#### Wrinkle Release (Wave Touch)

The wrinkle release option helps prevent wrinkles and tangling by alternately tumbling the load without heat for 5 minutes in a clockwise direction, then 5 minutes in a counterclockwise direction, for a total of 45 minutes. A signal will sound every 5 minutes to remind you to remove the dry load at any time.



## Gentle Tumble

The gentle tumble option uses reverse tumble action during cool down to reduce tangling and wrinkling.

## Delicate Heat

Select this option to protect a load from excessive heat. The drying temperature will be gradually reduced as the load dries.

## Sanitize

Select this option for loads that may contain harmful bacteria. An extended drying time at high heat will kill 99.9% of bacteria with no carryover of bacteria between loads. Check fabric care labels to prevent damage caused by high heat.

## Chime

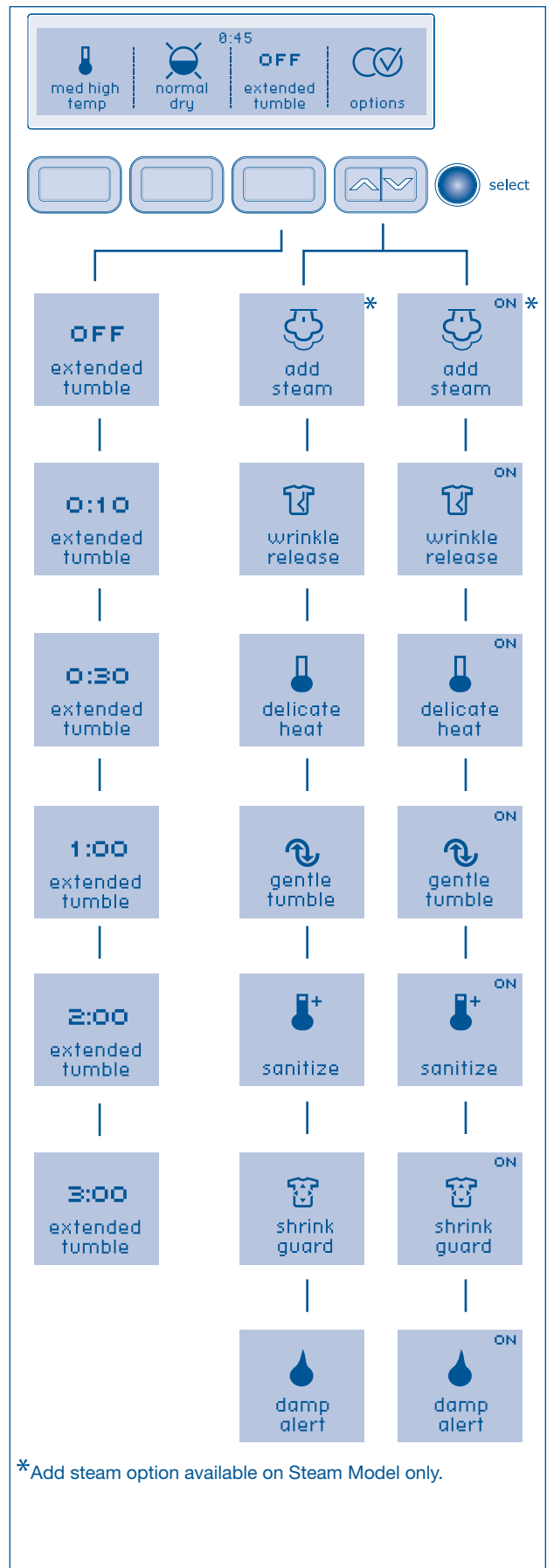
Select this option to add a chime to the end of the cycle, to indicate when load is damp in the damp alert option, and as a reminder to remove the load during extended tumble and wrinkle release. Press the chime button to select volume level desired or to turn off the signal.

## Damp Alert

For loads that contain some items you plan to hang dry, flat dry or iron, add the damp alert option to any Auto Dry cycle. A signal will sound when the load has reached the damp dryness level to remind you to remove those items to hang dry, dry flat or iron dry. Open the door, remove those items, close the door and press the start button to continue drying the remaining items.

## Shrink Guard

The shrink guard option reduces the initial drying temperature and gradually lowers drying temperature during the cycle to protect fabrics from shrinking.



\*Add steam option available on Steam Model only.



### User Interface Features

#### Save as Favorite

The save as favorite feature allows you to personalize up to 3 custom cycles for each custom user.

#### Set Prefs

The set prefs feature allows you to personalize cycles, hide cycle descriptions, select the language, volume, brightness and contrast of the display, reset settings, clean the washer, and run the installation cycle.

#### User Guides

Scroll through this option for the CYCLES GUIDE, SETTINGS GUIDE, OPTIONS GUIDE, and SET PREFS GUIDE for descriptions of the cycles, water temperatures, spin speeds, soil levels, cycle options and features for user preferences.

#### Stain Guides

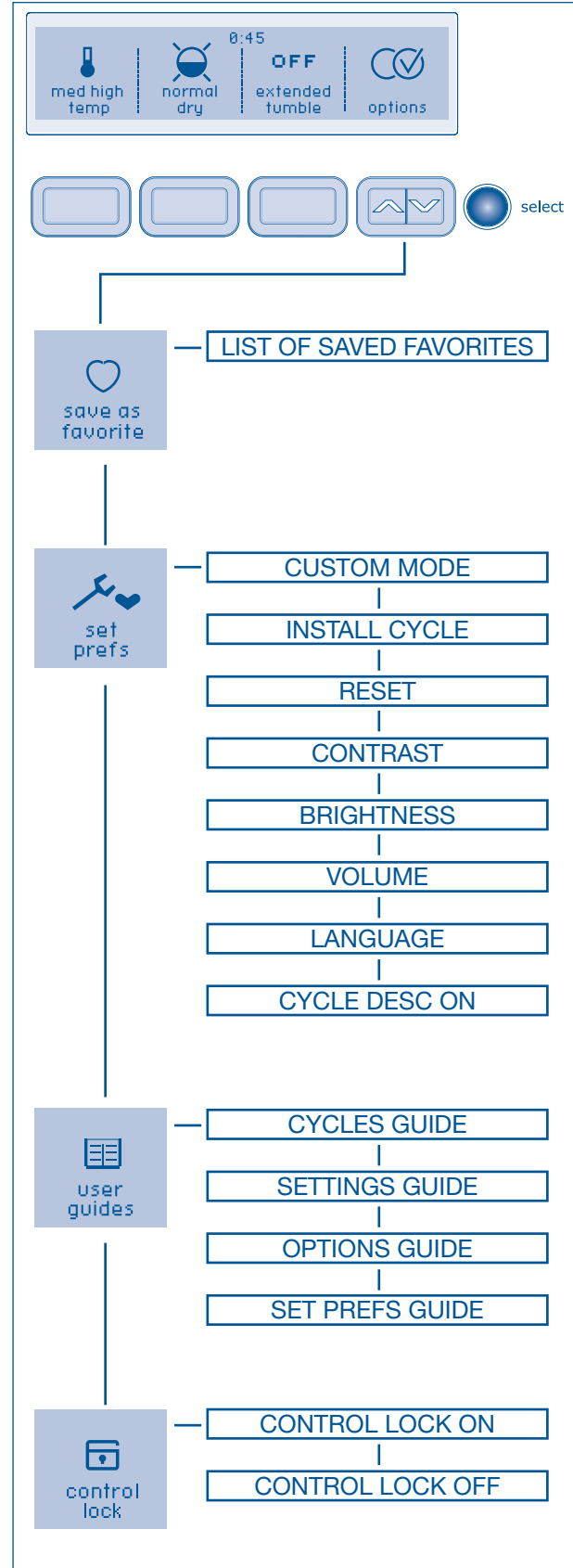
Scroll through the stain guide to the desired stain category. Press the select button for safe, successful stain removal instructions.

#### Control Lock (WaveTouch™)

To lock the controls between cycles, scroll to the control lock feature press select and “CONTROL LOCK OFF - PRESS SELECT TO LOCK THE CONTROL PANEL” will be displayed. Press the select button to lock the controls. To unlock the controls, press and hold select again for 3 seconds. Use this feature to reduce the likelihood of accidental operation by children.

#### Control Lock (IQTouch™)

To lock the controls between cycles, press and hold the control lock button for 5 seconds. Repeat to unlock the controls when you are ready to operate the dryer.



## Save as Favorite

The save as favorite feature allows you to personalize up to 3 custom cycles for each custom user.

1. Select a cycle, drying temperature, dryness level (Auto Dry) or drying time (Time Dry), extended tumble time and other options desired.
2. Use the scroll up or scroll down button until you reach save as favorite.
3. Press the select button to enter the favorite cycle choice screen.
4. Choose 1 of the 3 buttons for naming cycle.
5. See below for naming your favorite cycle.

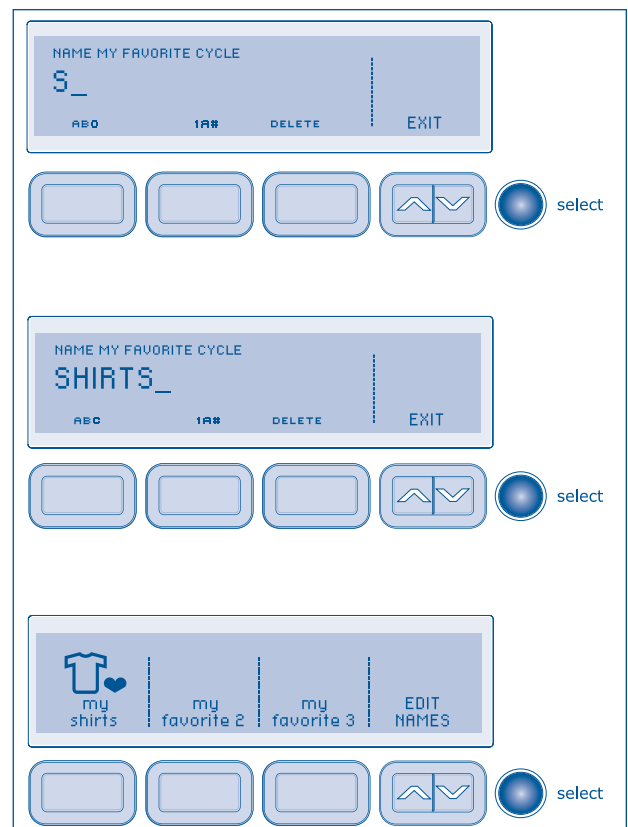
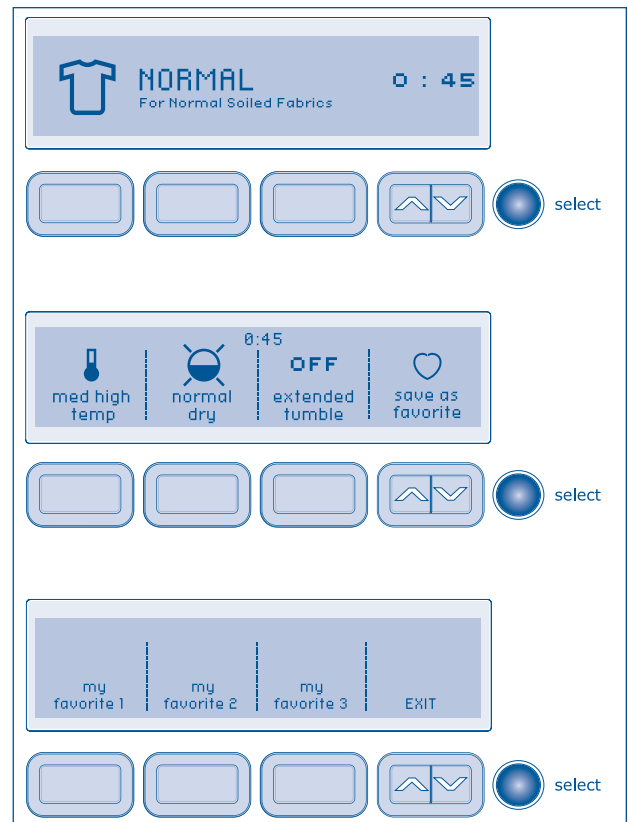
For example, to customize the normal cycle for shirt loads using med high drying temperature, normal dry dryness level and 10 minutes of extended tumble:

1. Turn the cycle selector knob to normal.
2. Press the temp button to select medium temp.
3. Press the dryness level button to select normal dryness.
4. Press the extended tumble button to select 10 minutes.
5. Press the scroll up or scroll down button until you reach save as favorite.
6. Press the select button to enter the favorite cycle choice screen.
7. Press the button under my favorite 1.

To name the customized cycle for shirts, press my favorite 1.

Press the button under ABC to name the favorite cycle alphabetically. Use the button under 1A# to add numbers, foreign language characters or symbols to the name.

Rotate the cycle selector knob in either direction to select the letters S-H-I-R-T-S, pausing after each character to let the cursor advance. Press the button under DELETE to erase incorrect entries. There is a blank character between Z and A for inserting spaces in your custom name. Pause momentarily on this character as you would to insert any other character, then continue. Press select to save the favorite cycle name. Repeat the steps to customize 2 other cycles as my favorite 2 and my favorite 3. Any of the favorite cycle names can be changed in the future by turning the cycle selector knob to my favorites and pressing the button under EDIT NAMES.



### Setting Preferences

#### Custom Mode

CUSTOM MODE allows up to 3 household members to personalize up to 3 favorite cycles each.

To enter custom users and personalize favorite cycles:

1. Use the scroll up or scroll down buttons until you reach set prefs. Press the select button to enter the preference menu.
2. Press select again to enter CUSTOM MODE.
3. Press the button for user 1, user 2 or user 3.
4. Press select.

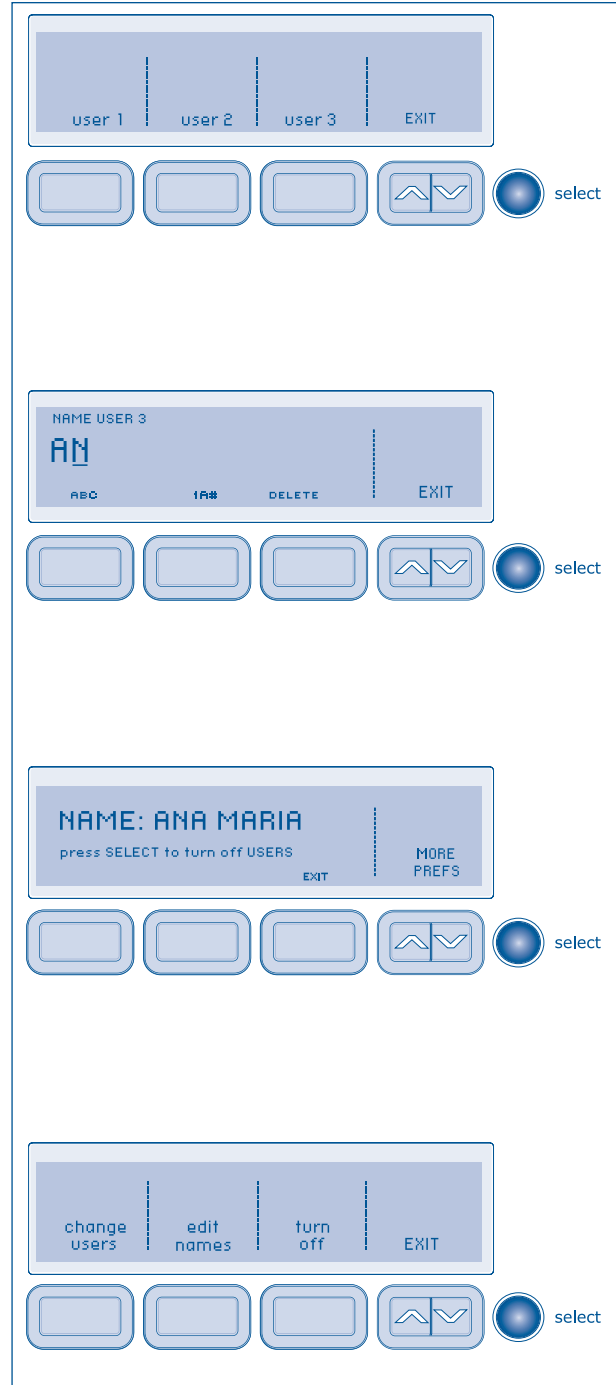
Press the button under ABC to name the favorite cycle alphabetically. Use the button under 1A# to add numbers, foreign language characters or symbols to the name.

Rotate the cycle selector knob in either direction to select the characters in the name, pausing after each character to let the cursor advance. Press the button under DELETE to erase incorrect entries. There is a blank character between Z and A for inserting spaces in your custom name. Pause momentarily on this character as you would to insert any other character, then continue.

When the name has been entered, press select to save the name.

To edit names while in CUSTOM MODE, turn the dryer off by pressing cancel. Press any other button to wake the dryer up. Screen will display **“TO CHANGE OR TURN OFF USERS PRESS SELECT”**. You must press select within 5 seconds or dryer will return to normal operation with previous user selected. After pressing select you have the choice of change users, edit names, turn off or EXIT. Make your selection and follow the directions displayed.

Each custom user may select up to 3 favorite cycles. The washer will remember cycle settings, options, preferences, etc. for each user.



## Install Cycle (WaveTouch™)

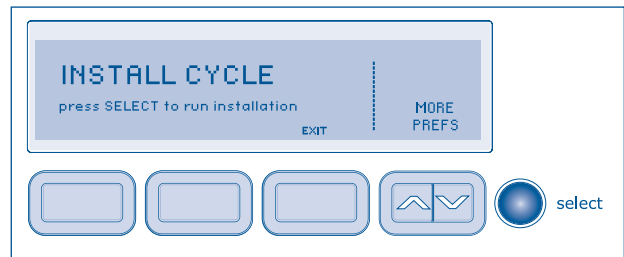
1. After plugging in the dryer the first time: wake up the dryer by pressing any button and then follow the prompts on the LCD User Interface, including language selection.
2. The Installation Cycle will automatically test for correct cord connection (on electric models), presence of gas supply (on gas models) and free flow of exhaust vent. At cycle completion, the LCD user interface may display **INSTALL PASS!**, meaning the dryer is properly installed and ready for use. If it prompts an action such as **SERVICE CORD, NO GAS** or **Call Service 877-435-3287**, review the installation steps and make the necessary corrections before attempting to use the dryer.
3. The dryer will exit the Installation Cycle and return to normal operation the next time the dryer is used.

## Install Cycle (IQ Touch™)

1. Empty dryer's drum and close door.
2. After you plug in the dryer the first time: wake up the dryer by pressing any button, rotate cycle knob to touch up cycle, press the start button and then the cancel button.
3. Wake up the dryer again by pressing any button, then immediately and simultaneously press and hold both the sanitize and my favorite buttons for 5 seconds, or until the LCD display changes.
4. The LCD window will display **INSTAL CYCLE** and show estimated time of cycle completion. Press the start button. The Installation Cycle will automatically test for correct cord connection (on electric models) and presence of gas supply (on gas models). At cycle completion, the LCD window may display **INSTAL PASS!**, meaning the dryer is properly installed and ready for use. If it prompts an action such as **SERVICE CORD, NO GAS** or **Call Service 877-435-3287**, review the installation steps and make the necessary corrections before attempting to use the dryer.
5. The washer will exit the Installation Cycle and return to normal operation the next time the washer is used.

### NOTE

The **INSTALL CYCLE** is prompted automatically only once when the dryer is turned on the first time at the end of installation. After that, if you wish to run a subsequent **INSTALL CYCLE** when moving the dryer or modifying your installation, you may perform your own **INSTALL CYCLE** by selecting it in the set prefs feature and then following the screen prompts.



### NOTE

Dryer will stay awake for 3 minutes after the Installation Cycle. If you wish to immediately run the dryer through a drying cycle, press the cancel button to put the unit to sleep and then rewake it immediately, to continue the normal operating mode.

The errors may result from the following conditions:

- **SERVICE CORD** error (electric dryer)—The power supply cord has been installed improperly or the house wiring to the receptacle is incorrect.
- **NO GAS** error (gas dryer)—There is no connection between the dryer and the gas line or the valve is closed.
- **CALL SERVICE**—Troubleshoot and repair as needed. Repeat the **INSTALL CYCLE** when corrections are completed.

### Reset (WaveTouch™)

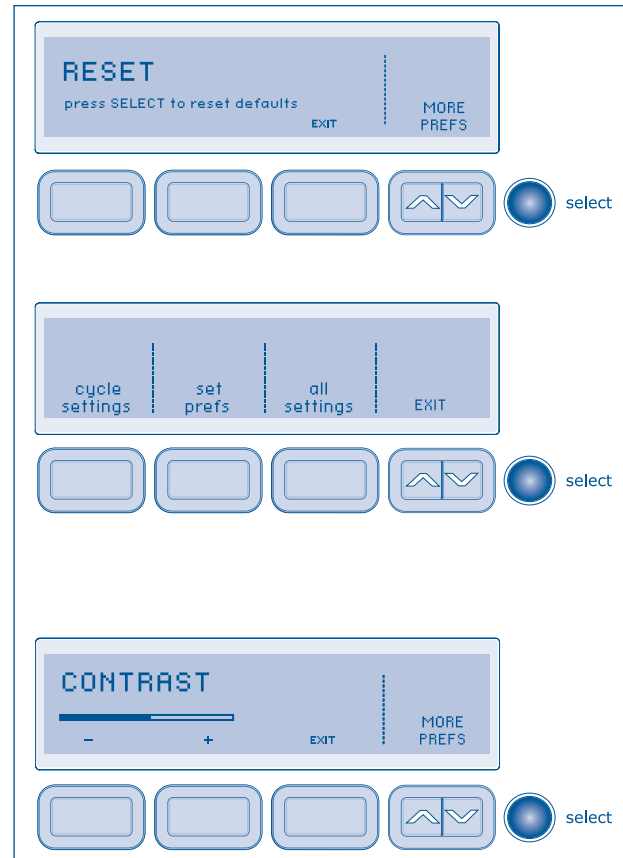
Press the buttons indicated to restore only cycle settings, reset only factory preferences (users, language, brightness, volume, etc.) or restore all factory defaults (both cycle settings and factory preferences). Press the button under EXIT to return to normal operation or press the cancel button to turn the dryer off without making any changes. If you do not make a selection within 30 seconds the dryer will return to normal operation without any changes. If you reset all settings, INSTALL CYCLE will be displayed as though the dryer were just turned on for the first time. Press the button under CANCEL if you do not wish to rerun the INSTALL CYCLE.

### Reset (iQTouch™)

To return to factory settings, press the temperature and dryness buttons at the same time and hold for 5 seconds.

### Contrast

Press the button beneath plus (+) or minus (-) symbols to increase or decrease the contrast of the display. Press select to accept the change or press the button under EXIT to return to normal operation without any changes.



## Brightness

Press the button beneath the plus (+) or minus (-) symbols to increase or decrease the brightness of the display. Press select to accept the change or press the button under EXIT to return to normal operation without any changes.

## Volume

Press the button beneath the plus (+) or minus (-) symbols to increase or decrease the volume of the chime. Press select to accept the change or press the button under EXIT to return to normal operation without any changes.

## Language

Select English, French or Spanish for the display language.

## Cycle Description

The name, an icon and a brief description are displayed for each cycle. To delete the display, press select. To restore the display, press select and **“CYCLE DESC ON - PRESS SELECT TO TURN OFF”** will appear in the LCD User Interface.

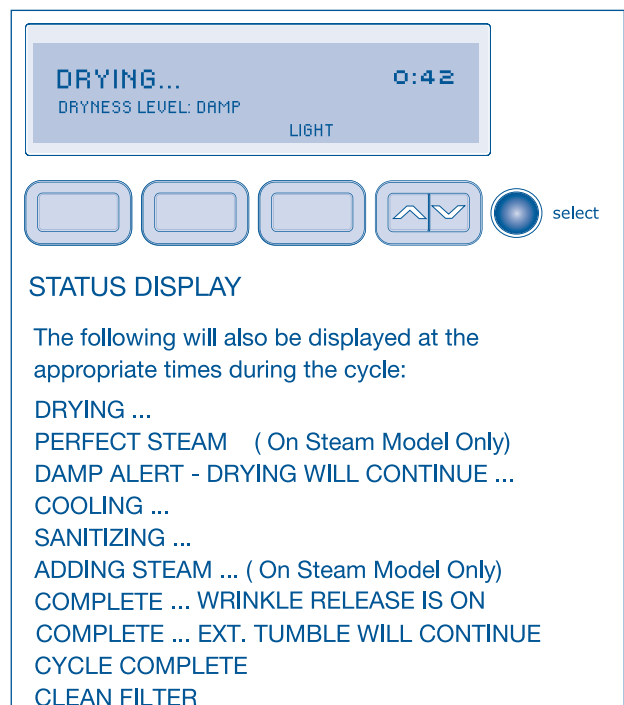
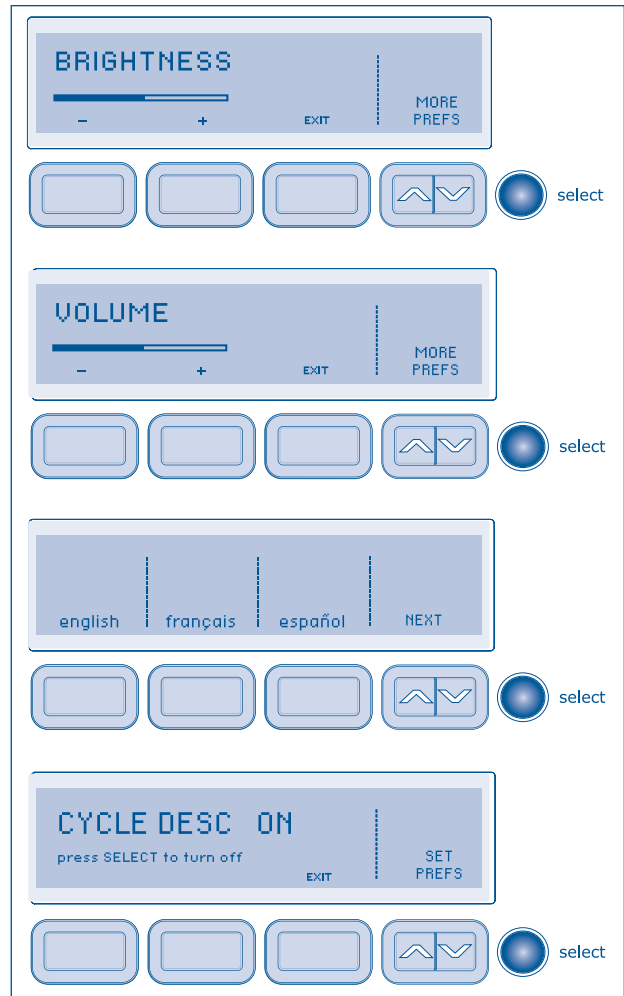
## Status Display

The estimated total cycle time will be displayed when the cycle is selected. The estimated remaining cycle time is displayed during the cycle.

## Drum Light

The drum light will come on whenever the door is opened to illuminate the drum during loading and unloading. Closing the door turns off the light. The drum light will automatically turn off if the door is left open more than 3 minutes.

To activate the drum light during a cycle, press the button under LIGHT. The light will stay on during the cycle for 3 minutes. To turn it off, press the button under LIGHT again.



## Diagnostics and Error Codes

### Acronyms:

**MB** – Main Board (Board located inside machine on right side just behind control panel.)

**MC** – Motor Control

**UI** – User interface board (board located inside the front control panel)

**DL** – Door Lock

### Reading Error Codes

1. Wake the dryer up by pressing any button (except the cancel button).
2. Press and hold the “CANCEL” and “START/ PAUSE” buttons simultaneously for 6 seconds. The failure code will appear in the display as an E followed by two numbers.

**NOTE:** E00 means no failure code experienced.

3. To view the last 5 error codes recorded, refer to the Diagnostic Mode listed below.
4. Troubleshoot problem by using the chart on page 3-20.

### To Clear Latest Stored Error Code

Press the “CANCEL” button to enter standby mode and enable diagnostic entry.

1. Within 10 seconds after pressing “CANCEL”, press any button to wake up the control.
2. Within 5 seconds of wake up, turn the selector knob to the far left cycle and press and hold the “CANCEL” and the far left button under the display simultaneously for 3 seconds to enter the Diagnostic Mode.

**NOTE:** To save time at wake up, the welcome screen can be bypassed by turning the selector knob.

3. Turn the program knob counter clockwise 9 turns (clicks) from the Start Position. The control will signal the last 5 error codes with E00 meaning no error experienced.
4. Press and hold the far left key under the display and “CANCEL” buttons simultaneously for 3 seconds. The code(s) will be cleared.
5. To return the washer to normal operation.
  - a) Unplug the power cord, wait 5-8 seconds, then reconnect the power cord OR
  - b) Turn the program knob clockwise 2 turns (clicks) back to the Start Position (LEDs are flashing). Press the “CANCEL” and far left button under the display until the LEDs stop flashing.

### Exiting Diagnostic Mode

To return the washer to normal operation:

1. Unplug the power cord, wait 5-8 seconds, then reconnect the power cord OR
2. Turn the program knob clockwise back to the Start Position. Press the “CANCEL” and far left button under the display until the LEDs stop flashing.

## Diagnostic Mode

### To Start the Diagnostic Mode

1. Press the “CANCEL” button to enter standby mode and enable diagnostic entry.
2. Within 10 seconds after pressing “CANCEL”, press any button to wake up the control.
3. Within 5 seconds of wake up, turn the selector knob to the far left cycle and press and hold the “CANCEL” and the far left button under the display simultaneously for 3 seconds to enter the Diagnostic Mode.

**NOTE:** To save time at wake up, the welcome screen can be bypassed by turning the selector knob.

4. Upon entering Diagnostic Mode, all lights should flash for IQ Touch™ models and all lights on for the Wave Touch™ models.
5. The following steps can be cycled through by turning the selector knob clockwise:

### Diagnostic Mode

Selector Position	Test Activated Component		Operator Check	LCD row	LCD digits
	Electric	Gas			
0	Lights / Buttons test				
1	Motor Counter-Clockwise (CCW)		Check Motor function. Look for Drum rotation in counter-clockwise direction.	“MOTOR CCW”	
2	Contact Sensor		Check moisture reading. Place fingers across Contact Sensor and look for digit display to change from “1111” to “8888”	“MOIST. BARS”	“1111” if Contact Sensor open circuit; “8888” if Contact Sensor short circuited
3	Motor Clockwise (CW)		Check Motor function. Look for Drum rotation in clockwise direction.	“MOTOR CW”	
4	Lights/Buttons test + Motor CW	Lights / Buttons test + Motor CW + igniter	Check all buttons and lights. Press all buttons and check for beep and button ID number in digit display. Check to see that all Lights function		Button id number
5	Motor CW + Heater 1	Motor CW + Heater	Check Motor and Heater function. Check Outlet Control Thermistor value in digit display.	“HEAT1 - NTC1”	Outlet Control Thermistor value (degrees F)
6	Motor CW + Heater 1 + Heater 2	Motor CW + Heater	Check Motor and Heater function. Check Inlet Control Thermistor value in digit display.	“HEAT2 - NTC2”	Inlet Control Thermistor value (degrees F)
7	Motor CW + Heater1 + Heater 2 + Heater 3	Motor CW + Heater	Check Motor and Heater function. Check Outlet Control Thermistor value in digit display.	“HEAT3 - NTC1”	Outlet Control Thermistor value (degrees F)
8	Motor CW		Check for Mist	“MIST VALVE”	
9	Error code history display		Check last 5 error codes displayed (See Error Code Table )		error code
10	Software version		Software version	Software version	Software version
11	Lights / Buttons test				



Error Code	Fault	Possible Fault Conditions	Possible Solutions
E31	Contact Sensor frequency too high.	Electronic Control Board defective or foreign object interfering with contact sensor.	Check Contact Sensor and wiring. If no problems are found with Contact Sensor, replace Electronic Control Board.
E32	Contact Sensor frequency too low.	Electronic Control Board defective or foreign object interfering with contact sensor.	Check Contact Sensor and wiring. If no problems are found with Contact Sensor, replace Electronic Control Board.
E42	Door Sensing failure.	Electronic Control Board defective.	Replace Electronic Control Board.
E51	Motor Relay failure	Motor Relay stuck open or closed; Wiring defective.	If motor runs continuously with power applied check for short circuit across motor relay (RL2), or L1 applied to motor relay output (J3-1) with cycle stopped. If motor does not start when "start" key is pressed, check for open circuit between L1 and motor relay connection (J3-2). If no wiring problems found, replace Electronic Control Board.
E52	Motor Fault – motor stopped or not starting.	Motor overheating; Laundry load too heavy; Low power supply; Motor, or Wiring defective.	Remove any load from dryer and check if drum turns freely by hand. Check L1 power supply voltage, motor wiring, and motor thermal protector (if motor thermal protector has tripped, it may take up to 30 minutes to reset).
E53	Motor Centripetal Switch Failure	Motor Centripetal Switch, Electronic Control Board Defective, or wiring defective.	Check wiring. Check if Motor Centripetal Switches are stuck in open or closed positions. Replace motor. Replace Electronic Control Board.
E54	Motor Sensing failure	Electronic Control Board defective	Replace Electronic Control Board and retest.
E61	Heater Relay failure.	Heater relay stuck open or closed; Wiring defective.	Check for short circuit across heater relay(s) (RL5, RL6, RL7) or L1 applied to heater relay output(s) (J5-2, J7-1, J7-3) with cycle stopped. Check for open circuit between L1 and heater relay connection(s) (J5-1, J5-3, J7-2). If no wiring problems are found, replace Electronic Control Board and retest.
E63	Heater to Earth Ground	Heating element or wiring defective	Check heater coils and connections for short circuits to the cabinet. Replace heater and/or wiring and retest.
E64	Heater Open Circuit	Heating element or wiring defective.	Check heater coils and connections for open circuits. Replace heater and/or wiring and retest.
E65	High Limit Thermostat trip count too high	High vent restriction, High Limit Thermostat defective or Inlet Thermal Limiter tripped (Electric Model only)	For Electric Model, check Inlet Thermal Limiter for continuity. If Thermal Limiter is open, check for evidence of high temperature event and any resulting damage. If no further damage is evident, replace Thermal Limiter. If no problems are found with Thermal Limiter, check exhaust vent system for air blockages. If no problems with vent restrictions, check/replace High Limit Thermostat, and retest.
E66	Thermal Limiter Open Circuit	Outlet Thermal Limiter tripped Inlet Thermal Limiter tripped (Gas Model only) or wiring defective.	Check Outlet Thermal Limiter for continuity. For Gas Model, also check Inlet Thermal Limiter for continuity. If Thermal Limiter is open, check for evidence of high temperature event and any resulting damage. If no further damage is evident, replace Thermal Limiter and retest.
E67	Heaters Sensing Failure	Electronic Control Board defective.	Replace Electronic Control Board and retest.
E71	Outlet Control Thermistor open circuit	Outlet Control Thermistor or wiring defective	Check resistance of Outlet Control Thermistor, and check wiring for open circuit. Resistance should be between 4.9K Ohm and 6.2K Ohm at room temperature (68-77° F or 20-25° C). Replace Outlet Control Thermistor and/or wiring and retest.

Error Code	Fault	Possible Fault Conditions	Possible Solutions
E72	Outlet Control Thermistor short circuit	Outlet Control Thermistor or wiring defective.	Check resistance of Outlet Control Thermistor, and check wiring for short circuit across Thermistor connections. Resistance should be between 4.9K Ohm and 6.2K Ohm at room temperature (68-77° F or 20-25° C). Replace Outlet Control Thermistor and/or wiring and retest.
E73	Inlet Control Thermistor open circuit.	Inlet Control Thermistor or wiring defective.	Check resistance of Inlet Control Thermistor, and check wiring for open circuit. Resistance should be between 47K Ohm and 66K Ohm at room temperature (68-77° F or 20-25° C). Replace Inlet Control Thermistor and/or wiring and retest.
E74	Motor Relay failure	Motor Relay stuck open or closed; Wiring defective.	If motor runs continuously with power applied check for short circuit across motor relay (RL2), or L1 applied to motor relay output (J3-1) with cycle stopped. If motor does not start when "start" key is pressed, check for open circuit between L1 and motor relay connection (J3-2). If no wiring problems found, replace Electronic Control Board.
E91	Communication Error	Wiring, Electronic Control Board, or Interface Board defective	Check connections between Electronic Control Board and Interface Board. If no wiring problems, replace Electronic Control Board or Interface Board.
E92	Incompatible protocol	Electronic Control Board incompatible with Interface Board	Check if correct Interface Board console and Electronic Control Board are installed. Replace appropriate hardware.
E93	Machine configuration checksum error	Wrong configuration data loaded, Interface Board or Electronic Control Board or wiring defective.	Check if correct Interface Board and console are installed. Replace Interface Board and/or console.
E94	Cycle configuration checksum error.	Wrong configuration data loaded or Electronic Control Board defective	Replace Electronic Control Board.
E97	Program mismatch	Wrong configuration data loaded, Electronic Control Board defective	Replace Electronic Control Board.
EA1	Main Supply Frequency out of Range	Line frequency out of limits or Electronic Control Board faulty.	Check frequency of line voltage.
EA2	Voltage too high	Line voltage too high or Electronic Control Board faulty.	Check amplitude of line voltage.
EA3	Voltage too low	Line voltage too low or Electronic Control Board faulty.	Check amplitude of line voltage.
EA4	Improper home wiring	Line connections in home faulty, wiring or Electronic Control Board defective.	Check wiring at terminal block for L1-N-L2 wired incorrectly.
EA5	Main V Sensing failure	Electronic Control Board defective	Replace Electronic Control Board.
EF1	Vent Blocked	High vent restriction, Exhaust Control Thermistor, Inlet Control Thermistor, or Electronic Control Board defective.	Check vent restrictions and resistance values of Exhaust Control Thermistor and Inlet Control Thermistor.
EF3	Max Timeout Timer	Exhaust blocked; Exhaust Control Thermistor, Inlet Control Thermistor, Contact Sensor or Electronic Control Board defective.	Check vent restriction, Contact Sensor, and resistance values of Exhaust Control Thermistor and Inlet Control Thermistor.
EF8	Key Stuck	Console button or Interface Board defective	Check buttons for activation when pressed. Replace console or Interface Board as appropriate



Wave Touch Available Cycle Settings, Pre-Sets and Options

EDM OPTIONS - PROGRAMS MATRIX	Intended Load	TEMPERATURE							DRYNESS LEVEL					OPTIONS							TIMED/AUTO DRY	PROGRAMS	COMPATIBILITY WITH OPTIONS	WHEN AVAIL- BLE	
		Air Fluff	Low	Medium / Low	Medium	Medium / High	High	Maximum	Damp Dry	Less Dry	Normal Dry	More Dry	Maximum Dry	Perfect Tumble	Sanitize	Shrink Guard	Delicate Heat	Wrinkle Release	Extended Tumble	Damp Alert					
Bulky	King size comforter			X	X	X			X	X	X		X	X	X	X	X	X	X	X	A				
Heavy Duty	16# Jeans					X			X	X	X		X	X	X	X	X	X	X	X	A				
Mixed Load	8# Cotton Mix + 6# Perm Press			X	X	X			X	X	X		X	X	X	X	X	X	X	X	A				
Towels	12# Towels				X	X			X	X	X		X	X	X	X	X	X	X	X	A				
Normal	12# Cotton Mix CU				X	X			X	X	X		X	X	X	X	X	X	X	X	A				
Casual	8# Perm Press CU				X	X			X	X	X		X	X	X	X	X	X	X	X	A				
Active Wear	3# spandex + 3# lgt. cotton				X				X												A				
Fast Dry	TBD by testing								X												T				
Delicate	3# Delicate CU																				A				
Touch Up																					T				
Time Dry	Any																				T				
Damp Alert																									
Extended Tumble																									
Wrinkle Release																									
Delicate Heat																									
Shrink Guard																									
Sanitize																									
Perfect Tumble																									
Set-up																									
Execution (paused)																									

Factory Defaults Are Highlighted BLUE

### Wave Touch with Steam, Available Cycle Settings, Pre-Sets and Options

EDM OPTIONS - PROGRAMS MATRIX	Intended Load	TEMPERATURE							DRYNESS LEVEL					OPTIONS								TIMED/ AUTO DRY	PROGRAMS	COMPATIBILITY WITH OPTIONS	WHEN AVAILA- BLE	
		Air Fluff	Low	Medium / Low	Medium	Medium / High	High	Maximum	Damp Dry	Less Dry	Normal Dry	More Dry	Maximum Dry	Perfect Tumble	Add Steam	Sanitize	Shrink Guard	Delicate Heat	Wrinle Release	Extended Tumble	Damp Alert					
Bulky	King size comforter			X	X	X			X	X	X						X	X	X	X	X	A				
Heavy Duty	16# Jeans								X	X	X						X	X	X	X	X	A				
Mixed Load	8# Cotton Mix + 6# Perm Press			X					X	X	X						X	X	X	X	X	A				
Towels	12# Towels								X	X	X						X	X	X	X	X	A				
Normal	12# Cotton Mix CU				X				X	X	X						X	X	X	X	X	A				
Casual	8# Perm Press CU				X				X	X	X						X	X	X	X	X	A				
Active Wear	3# spandex + 3# lgt. cotton				X				X	X	X						X	X	X	X	X	A				
Fast Dry	TBD by testing								X	X	X						X	X	X	X	X	T				
Delicate	3# Delicate CU																X	X	X	X	X	A				
Perfect Steam																	X	X	X	X	X	T				
Time Dry																	X	X	X	X	X	T				
Damp Alert																	X	X	X	X	X					
Extended Tumble																	X	X	X	X	X					
Wrinle Release																	X	X	X	X	X					
Delicate Heat																	X	X	X	X	X					
Shrink Guard																	X	X	X	X	X					
Sanitize																	X	X	X	X	X					
Add Steam																	X	X	X	X	X					
Perfect Tumble																	X	X	X	X	X					
Set-up																	X	X	X	X	X					
Execution (paused)																	X	X	X	X	X					

Factory Defaults Are Highlighted BLUE

Unchangeable Options = U



# Section 4

## Component Teardown

## COMPONENT TEARDOWN

This section explains how to access and remove components from an Electrolux IQ-Touch™ and Wave-Touch™ Dryer, and has been arranged in such a way as to simulate which components would need to be removed first in order to gain access to other components. When following a component removal procedure, it may be necessary to reference another component removal procedure listed earlier in this section.

**IMPORTANT NOTE:** Before continuing, please take note of the **WARNINGS** and **CAUTIONS** below.

### **WARNING**

#### BEFORE SERVICING OR MOVING AN APPLIANCE:

- REMOVE THE POWER CORD FROM THE ELECTRICAL OUTLET, TRIP THE CIRCUIT BREAKER TO THE OFF POSITION, OR REMOVE THE FUSE.
  - TURN OFF THE GAS SUPPLY FOR GAS DRYERS.
- 
- IF IT IS NECESSARY TO REMOVE AN ELECTROLUX DRYER UNIT FROM ITS INSTALLATION, USE PROPER LIFTING TECHNIQUES AS UNITS ARE HEAVY AND COULD FALL RESULTING IN SERIOUS INJURY OR DEATH. PULLING A UNIT FROM ITS INSTALLATION SHOULD ONLY BE PERFORMED BY A TRAINED AUTHORIZED SERVICE TECHNICIAN OR INSTALLER.
  - TO AVOID ELECTRIC SHOCK, POWER TO A DRYER UNIT MUST BE DISCONNECTED WHENEVER ACCESSING AND/OR REMOVING COMPONENTS POWERED BY ELECTRICITY OR COMPONENTS NEAR OTHER ELECTRICAL COMPONENTS.
  - IF UNIT WAS USED PRIOR TO SERVICE, THE HEATER ASSEMBLY WILL BE HOT. WEAR PROTECTIVE GLOVES AND THE APPROPRIATE SAFETY GEAR WHEN WORKING WITH HEATING ASSEMBLIES.
  - AFTER SERVICE IS COMPLETED, BE SURE ALL SAFETY-GROUNDING CIRCUITS ARE COMPLETE, ALL ELECTRICAL CONNECTIONS ARE SECURE, AND ALL ACCESS PANELS ARE IN PLACE.

### **CAUTION**

- Metal edges may be sharp. Use caution and wear appropriate safety equipment when servicing dryers to avoid personal injury.
- If working in the motor area, remember that the heater element and tubing may be hot if used prior to service.



This section will describe how to access and remove serviceable components from the dryer. Unless stated, the procedure will be the same on all models. Unless stated, reverse the procedure to reinstall the component.

### Door Components

#### Door Trim Ring Removal

The door is secured to a hinge assembly mounted to the unit frame. The trim ring must be removed to access and remove the hinge assembly.

To remove the door assembly:

1. Open the door to a 90 degree angle.
2. Using a #2 square bit screwdriver, extract and save the trim plug and long, course thread, panhead screw. (See Figure 4-1)
3. Close the door.
4. Rotate the door trim approximately  $\frac{3}{4}$ " counter-clockwise and pull it away from the front of the door. (See Figure 4-2)

#### Door Assembly Removal

The door assembly is secured with 4 screws to the hinge assembly. It is not necessary to remove the trim ring to access the hinge screws of the door assembly.

To remove the door assembly:

1. Open the door to a 90 degree angle.
2. Using a #2 square bit screwdriver, extract the 4 long, course thread, countersunk hinge screws from door. (See Figure 4-3)
3. While supporting the weight of the door with both hands, separate the door from the hinge. (See Figure 4-4)
4. Gently place the door face down on a flat, covered work surface.

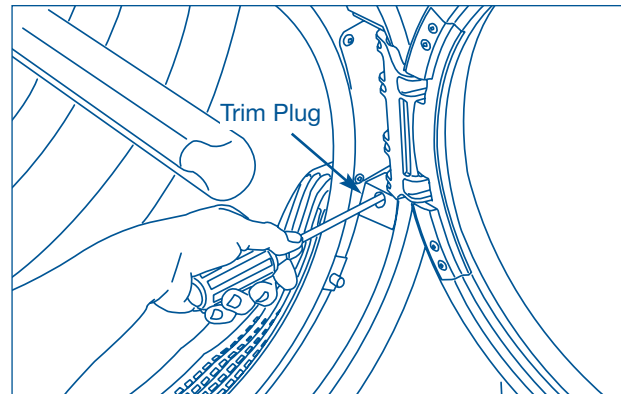


Figure 4-1.

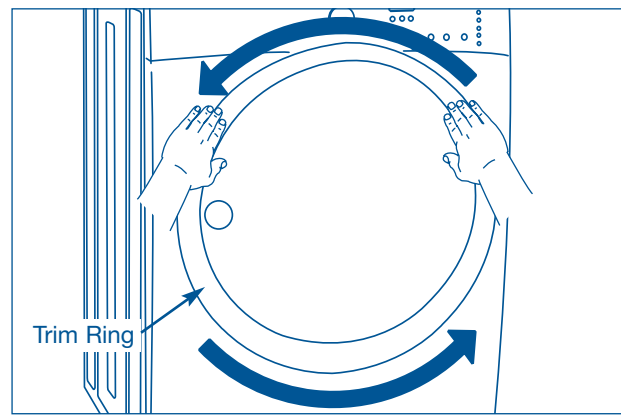


Figure 4-2.

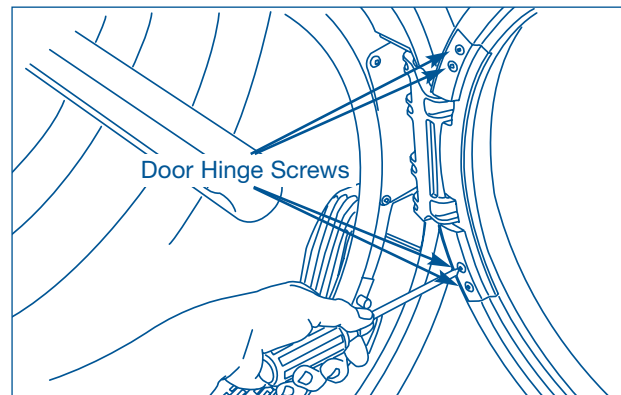


Figure 4-3.

## Latch Plate and Door Latch Removal

The latch plate is secured with two long coarse thread screws to the inner face of the door assembly. The door latch is secured to the inside of the latch plate with a screw and positioned on locating pins. The door latch may be removed without removing the door assembly.

To remove the latch plate:

1. Using a #2 square bit screwdriver, remove the two long, coarse thread, countersunk screws. (See Figure 4-4)
2. Lift latch plate from door assembly.
3. Using a #2 Phillips head screwdriver from the underside of the latch plate, extract the screw while compressing the spring assembly. (See Figure 4-5)
4. Slowly release the spring assembly. Pivot the door latch on the retaining pins so latch is 90 degrees to the latch plate. Slide door latch off locating pins.

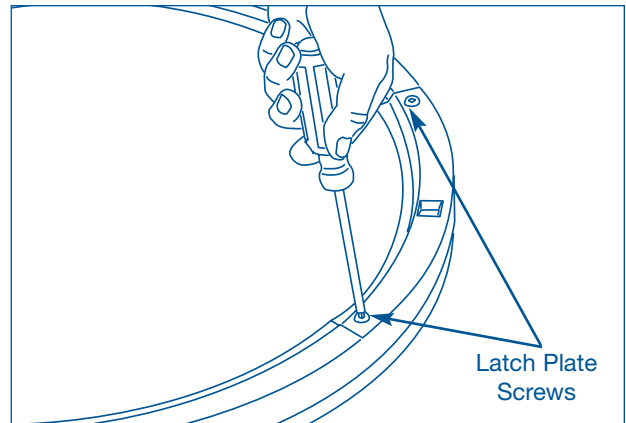


Figure 4-4.

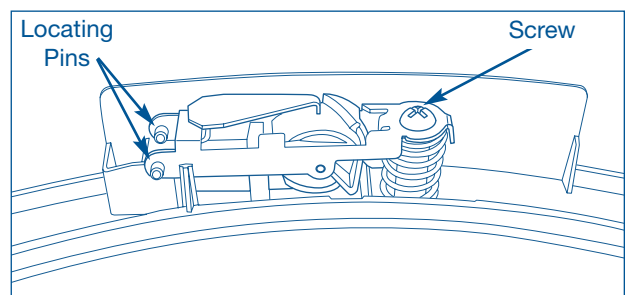


Figure 4-5.

## Inner Door Glass Removal

The inner door glass is secured with screws that pass through two retaining covers that are mounted to the inner door assembly.

To remove the inner door glass:

1. Remove door assembly from unit.
2. Remove the latch plate.
3. Using a #2 square bit screwdriver, extract the screws from the two retaining covers and pull from door assembly. (See Figure 4-6)
4. Lift the inner door glass from door assembly and remove the rubber gasket from door glass.

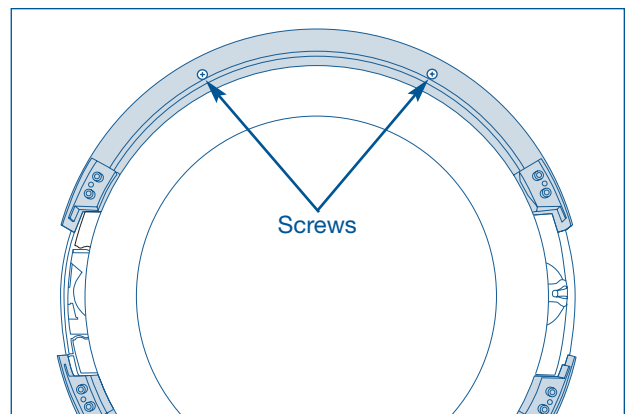


Figure 4-6.

### Latch Indicator Removal

The latch indicator is secured by retaining latches to the interior of the door assembly.

To remove the latch indicator:

1. Remove door assembly from unit.
2. Remove the latch plate.
3. Grasp the indicator on the latch side between finger and thumb and rock it upward, pivoting away from the center of the glass. (See Figure 4-7)
4. Gently push the indicator toward the center of the lens to release the tab. (See Figure 4-8)
5. Rock the tab upward. (See Figure 4-8)
6. Pull the indicator out and remove from unit. (See Figure 4-8)

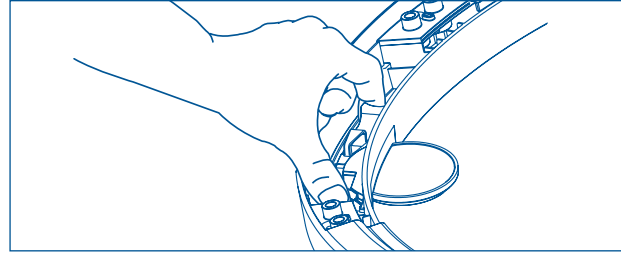


Figure 4-7.

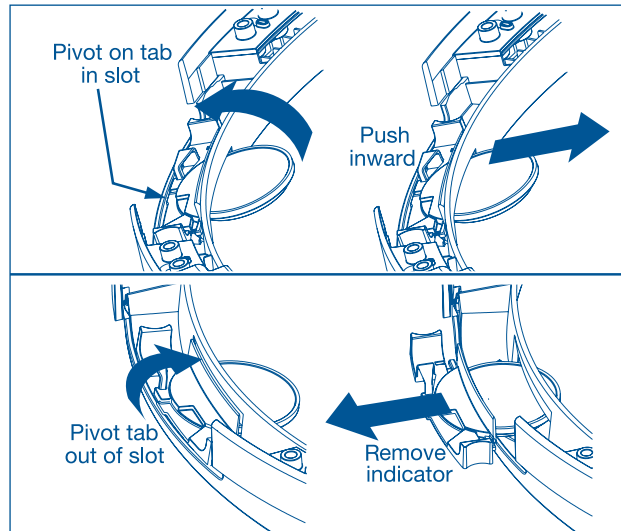


Figure 4-8.

### Door Strike Removal

The door strike is secured with two screws to the front panel.

To remove the door strike:

1. Open the door to a 90 degree angle.
2. Using a #2 square bit screwdriver, extract the two screws securing the door strike to the front panel. (See Figure 4-9)

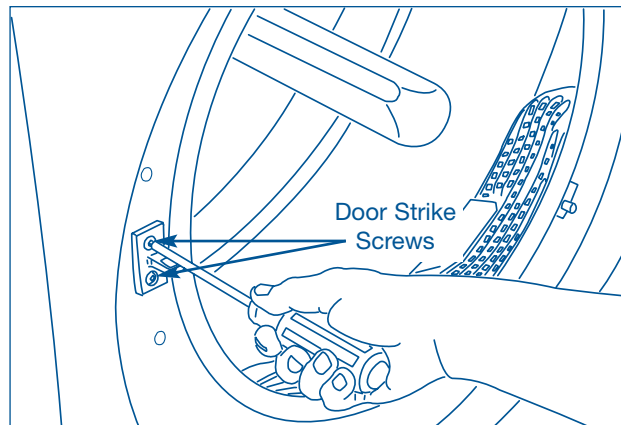


Figure 4-9.

### Outer Door Glass Removal

The outer door glass is secured with retaining latches to the door assembly.

To remove the outer door glass:

1. Remove door assembly from unit.
2. Remove the latch plate.
3. Remove retaining covers.
4. Release the retaining latches around the door assembly that secure the outer door glass to the door assembly. (See Figure 4-10)

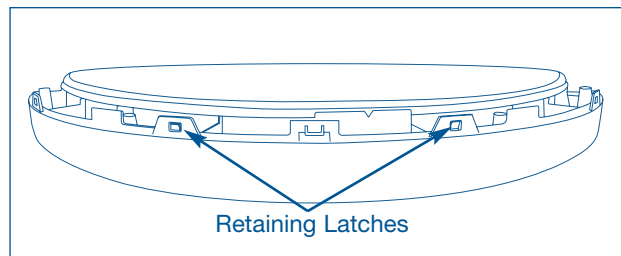


Figure 4-10.

## Door Hinge Removal

The door hinge is secured with screws to the unit frame.

To remove the door hinge:

1. Remove door assembly from unit.
2. Using a #2 square bit screwdriver, with the hinge in open position, extract two short, course thread, panhead screws from hinge plate. (See Figure 4-11)
3. Using a #2 square bit screwdriver, extract 3 short, fine thread, countersunk screws in hinge side. (See Figure 4-12)

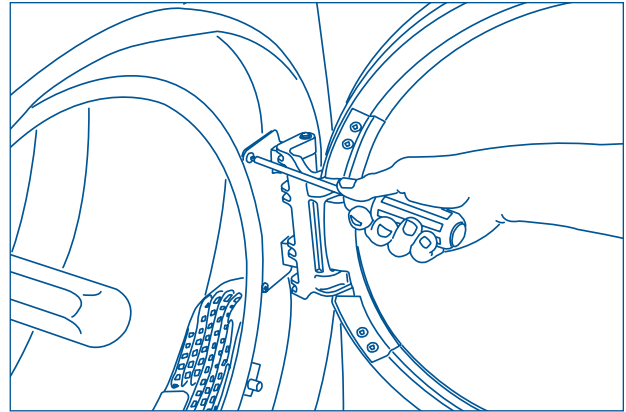


Figure 4-11.

## Lint Trap Removal

The lint trap is removed by simply lifting the lint trap out from the air duct. The lint trap should be cleaned prior to each load being dried. (See Figure 4-13)

## Air Duct Cover

The air duct cover is secured to the dryer frame with two screws under the trim ring and two screws in the interior of the drying compartment.

To remove the front air duct cover:

1. Remove the trim ring and pull lint trap from unit.
2. Using a #2 square bit screwdriver, extract the two screws that secure the air duct cover to the front panel. (See Figure 4-14)
3. Using a #2 square bit screwdriver, extract the screw from each side of the air duct cover securing the air duct cover to the inside of the drying compartment. Pull air duct cover straight up until clear of the drying compartment. (See Figure 4-14)

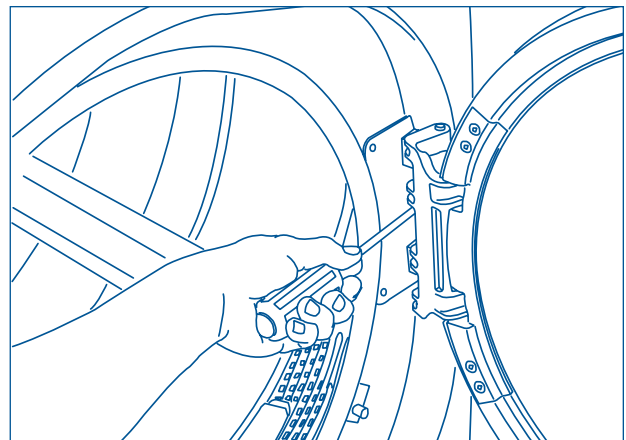


Figure 4-12.



Figure 4-13.

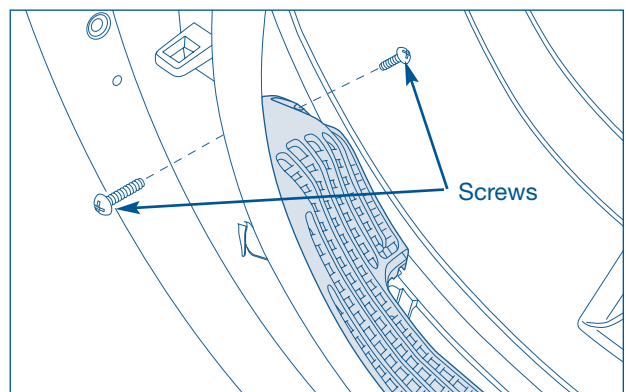


Figure 4-14.

### Top Panel Removal

The top panel is secured with a metal tab at each front corner and two screws at the rear of the unit.

To remove the top panel:

1. Pull unit from its installation position to access the rear of the unit.
2. Using a #2 square bit screwdriver, extract the two screws securing the top panel to the unit frame. (See Figure 4-15)
3. From the front of the unit, push the top panel towards the rear until free of the metal tabs, then lift top panel off of unit.

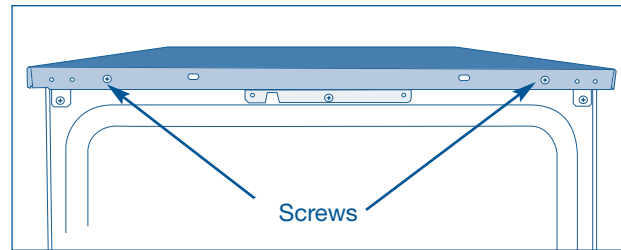


Figure 4-15.

### Console and User Interface Removal

The console is secured with a screw on each corner that passes through a bracket mounted to the console and fastens into the unit frame. The wire harness connects to the right hand side of the user interface mounted inside the console.

To remove the console:

1. Remove the top panel.
2. Using a #2 square bit screwdriver, extract the screw from each side securing the console mounting bracket to the top of the unit frame. (See Figure 4-16)
3. Carefully lift console off the front panel, using care not to strain wire harness connections.
4. Carefully position the console to access the electrical connection and disconnect the wire leads from the user interface.
5. Using a #2 square bit screwdriver, extract the six screws securing the control assembly to the console panel. Carefully lift the control assembly from the console panel. (See Figure 4-17)
6. Separate the button carrier from the control assembly by releasing the two retaining latches on the end with the Start /Pause button. Lift slightly and pull tab out of the slot closest to the cycle selector knob.
7. Separate the cycle control knob housing from the control assembly by releasing the three retaining latches on the outer edge of the control assembly. Carefully lift up housing until control knob is free of shaft, then lift housing off of the control assembly.

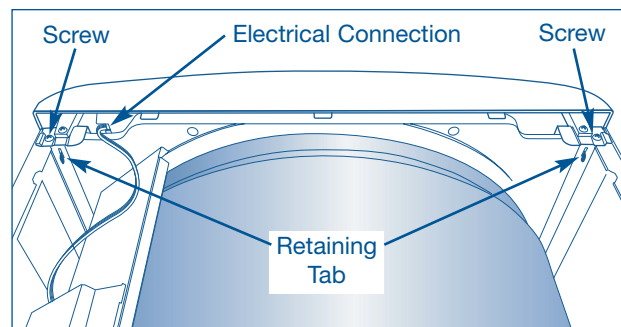


Figure 4-16.

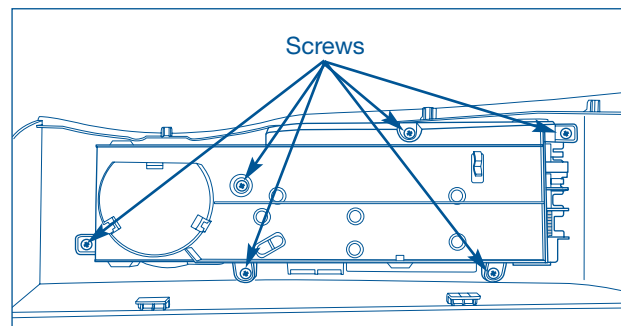


Figure 4-17.

**NOTE:** When removing the control board, release the circuit board at the base of the cycle control knob first by pushing back the retaining latches and lifting the circuit board out from under the latches. Then continue with the removal of the main circuit board.

8. The control board and display is removed by pushing back the retaining latches securing the control board to the control assembly, then lifting it out of the control assembly.

## Front Panel Removal

The front panel is secured with four screws, two screws along the top edge and two along the bottom edge. When removing the panel, use caution not to strain the door switch electrical leads.

To remove the front panel:

1. Remove the trim ring, door assembly and the air duct cover.
2. Remove the top panel and console.
3. Using a #2 square bit screwdriver, extract the two screws from the bottom of the front panel, then the two screws at the top of the front panel. (See Figure 4-18)
4. From the inside of the front panel, disconnect the door switch electrical leads at the Molex connector.

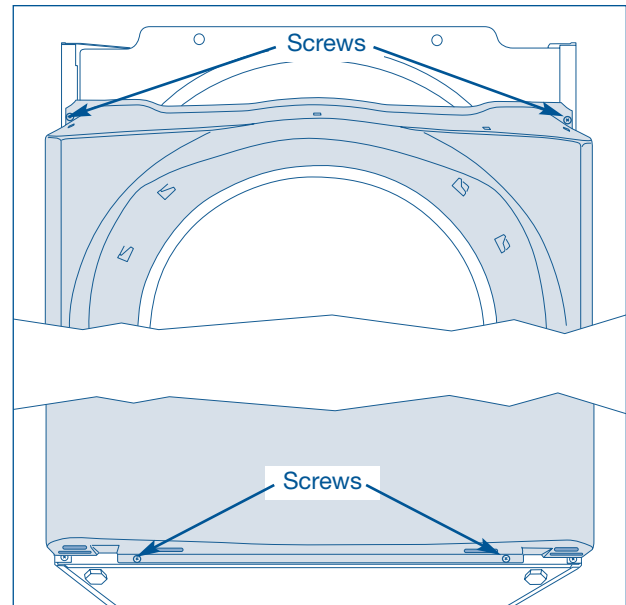


Figure 4-18.

## Door Switch Removal

The door switch is secured with retaining latches to the backside of the front panel.

To remove the door switch:

1. Remove the trim ring, door assembly and the air duct cover.
2. Remove the top panel, and console.
3. After extracting the screws securing the front panel to the unit frame, reach behind the front panel and disconnect the wire harness for the door switch at the Molex connector. The front panel can now be removed from the unit. (See Figure 4-19)
4. Disconnect the wire leads connected to the terminals of the door switch.
5. From the backside of the front panel, press in the retaining latches while pushing door switch through the front panel. (See Figure 4-19)

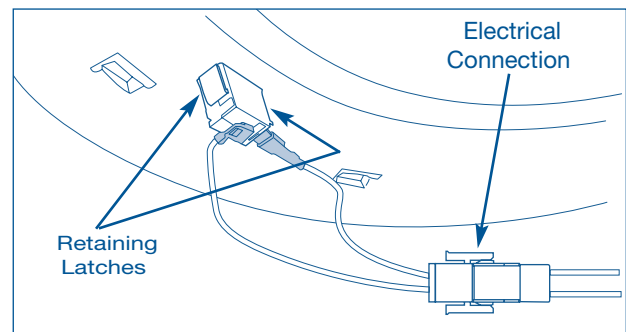


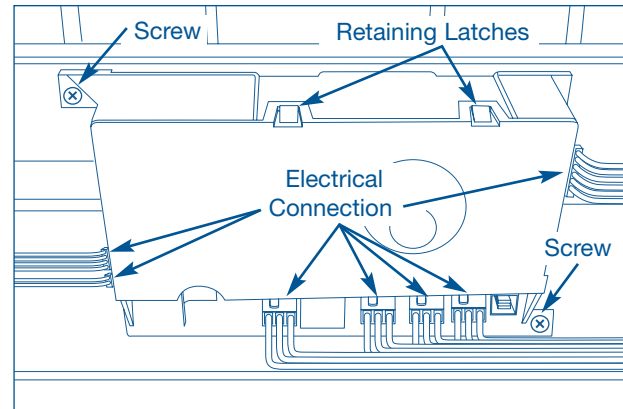
Figure 4-19.

### Control Assembly

The control assembly is mounted to a bracket along the top right hand side of the unit frame. The wire harness connects to multiple positions on the circuit board and must be disconnected before removing from the unit.

To remove the control assembly:

1. Remove the top panel.
2. Using a #2 square bit screwdriver, extract the two screws securing the control assembly to the mounting bracket. (See Figure 4-20)
3. Carefully handle the control assembly while disconnecting the electrical leads from the control assembly.
4. Release the retaining latches securing the control assembly cover to the control housing. Lift cover from housing.
5. The circuit board is secured on one end of the housing with retainers. Lift from opposite end and pull out from under retainers to remove the circuit board.



**Figure 4-20.**

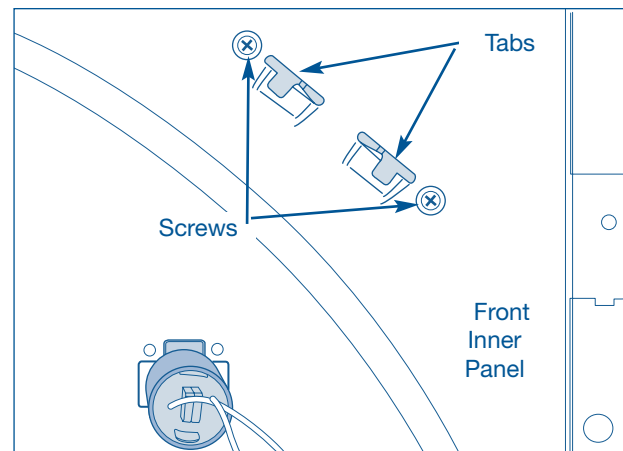
**NOTE:** The gas dryer uses the same housing for the control board, but will have one less electrical connection.

### Control Box Bracket Removal

The control box bracket is secured by two retaining tabs and two screws at the front and rear inner panels.

To remove the control box bracket:

1. Remove the top panel, rear panel, console and front panel.
2. If replacing the bracket, remove the control box. If removing the bracket to access the drum or heating components, it is not necessary to remove the control box.
3. From both ends of the bracket, use a #2 square bit screwdriver and extract the four screws securing the bracket to the inner front and rear panels. (See Figure 4-21)
4. Lift upwards to release the tabs, then pull out of the unit. If control box is still mounted to bracket, swing bracket over rear inner panel.



**Figure 4-21.**

## Interior Light Removal

The interior light is an LED assembly that is secured with a tab that secures the assembly to the inner front panel. The wire leads for the interior light are disconnected at the control assembly.

To remove the interior light:

1. Remove the trim ring, door assembly and the air duct cover.
2. Remove the top panel, console and front panel.
3. Disconnect the wire leads at the control assembly.
4. Rotate interior light assembly until tab can be pushed through the inner panel, then pull assembly and wire leads through the compartment opening. (See Figure 4-22)

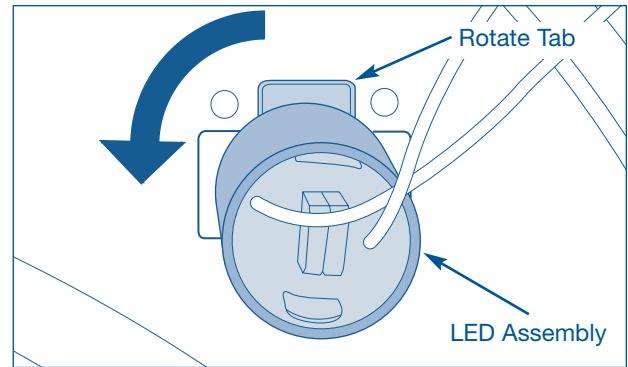


Figure 4-22.

## Top Rear Brace

The top rear brace is secured with five screws to the top and rear of the unit frame.

To remove the top rear brace:

1. Pull the unit from its installation position and remove the top panel.
2. Using a #2 square bit screwdriver, extract the three screws from the lower edge of the top rear brace. (See Figure 4-23)
3. From the top edge, extract the screw from each corner of the top rear brace and remove from unit.

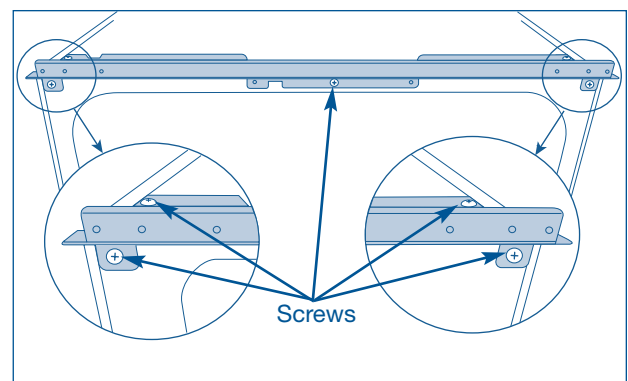


Figure 4-23.

## Rear Panel Removal

The rear panel is secured with 21 screws to the unit frame. The exhaust duct will need to be removed prior to removing the rear panel.

To remove the rear panel:

1. Pull the unit from its installation position and remove the top panel and rear top brace.
2. Using a #2 square bit screwdriver, extract the 21 screws ( Labeled "A" in Figure 4-24) securing the rear panel to the rear of the unit. Remove the rear panel from unit.

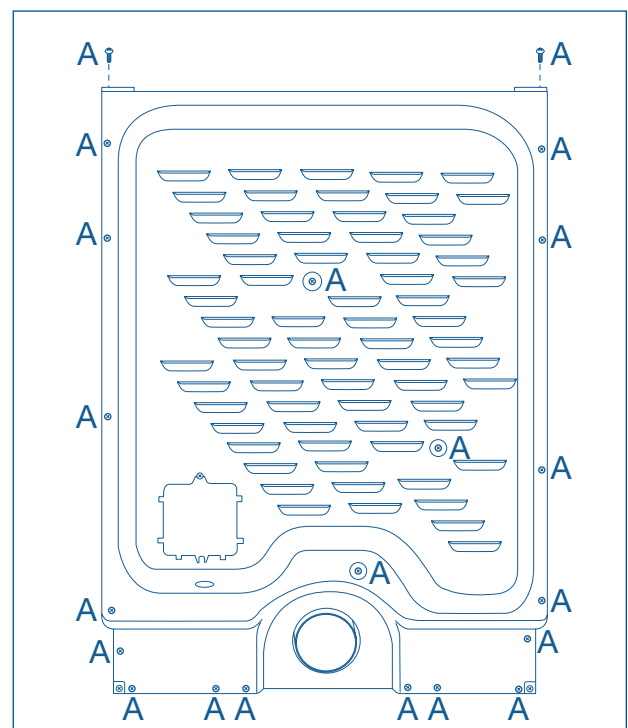


Figure 4-24.



### Inlet Thermistor Removal (Inlet NTC)

The function of the rear inlet thermistor / Inlet NTC is to determine the heater status. If the temperature reads over the threshold, the heater(s) will be turned off. A faulty inlet NTC may prevent the heater(s) from turning on, or may turn the heater(s) off prematurely.

The inlet thermistor is inserted into the outlet of the heat duct to sense the temperature of the air prior to entering the drying compartment. A screw secures the inlet thermistor to the outside of the heat duct.

To remove the inlet thermistor:

1. Remove the top panel, top rear brace and rear panel.
2. The inlet thermistor is mounted to the top left hand side of the heat duct. Using a #2 square bit screwdriver, extract the screw securing the inlet thermistor to the heat duct. (See Figure 4-25)
3. Pull inlet thermistor from heat duct.
4. Disconnect inlet thermistor from from wire harness at the Molex connector.

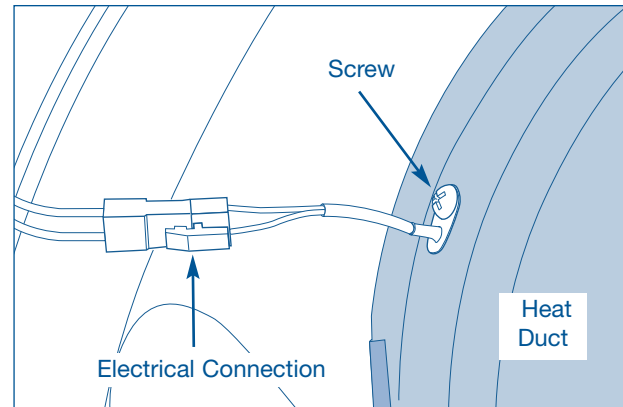


Figure 4-25.

### Moisture Sensing Bar Removal

The moisture sensing bar is mounted to the lower back wall of the drying compartment and secured with a screw. The electrical connections are accessible only with the rear panel removed.

To remove the console panel:

1. Remove the top panel, top rear brace and rear panel.
2. Disconnect the electrical leads from the sensor bar terminals. (See Figure 4-26)

**NOTE:** The electrical connection can be disconnected at the molex connector and with the removal of the ground wire screw as shown in Figure 4-27.

3. From inside the drying compartment, extract the screw securing the moisture sensing bars to the back wall. (See Figure 4-27)
4. Lift the screw end of the moisture sensing bars up and away from the back wall until tab is free of the back wall.

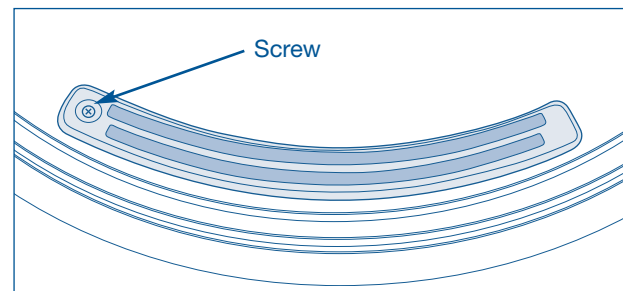


Figure 4-26.

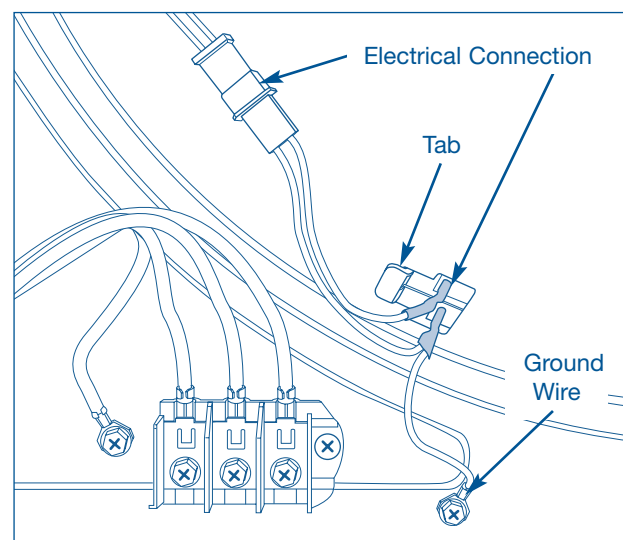


Figure 4-27.

## Component Teardown

### Belt Removal (Wave Touch™)

The belt circles the drum and has tension applied to it by the idler arm assembly.

To remove the belt:

1. Remove the top panel, rear panel, console and front panel.
2. From the rear of the unit, reach under the drum and pull the idler arm assembly to the left and release the belt from the roller guides and motor pulley. (See Figure 4-28)

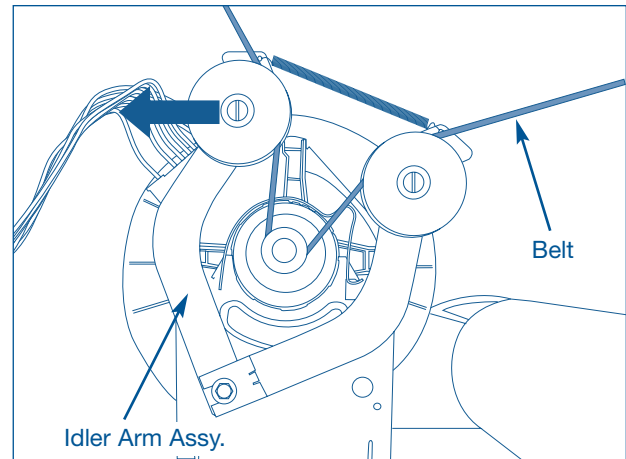


Figure 4-28.

### Belt Removal (IQ Touch™)

The belt circles the drum and has tension applied to it by a spring mounted between the idler arm assembly and the motor mount.

To remove the belt:

1. Remove the top panel, rear panel, console and front panel.
2. From the rear of the unit, reach under the drum and pull the idler arm assembly to the right and release the belt from the roller guides and motor pulley. (See Figure 4-29)

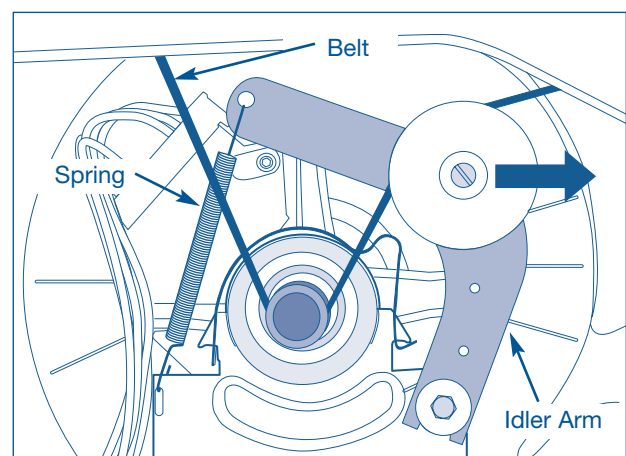


Figure 4-29.

### Front Inner Panel and Drum Removal

The front inner panel, which is secured to the unit frame with four screws and two retaining tabs at the top, must be removed to remove or replace a belt. The front air duct is removed with the front inner panel as one assembly.

1. Remove the top panel, rear panel, console, front panel, and interior light, then release the belt from motor.
2. Using a #2 square bit screwdriver, extract the four screws securing the inner front panel to the unit frame. (See Figure 4-30)

**NOTE:** It is recommended to have a second person to help remove the drum as the front inner panel is removed from the unit.

3. Lift the front inner panel up to release the retaining tabs, then outward. The drums front edge will fall from the ledge of the inner front panel and guide rollers unless otherwise supported.
4. Remove drum from unit by pulling the side panels outward, then pulling the drum from the unit.

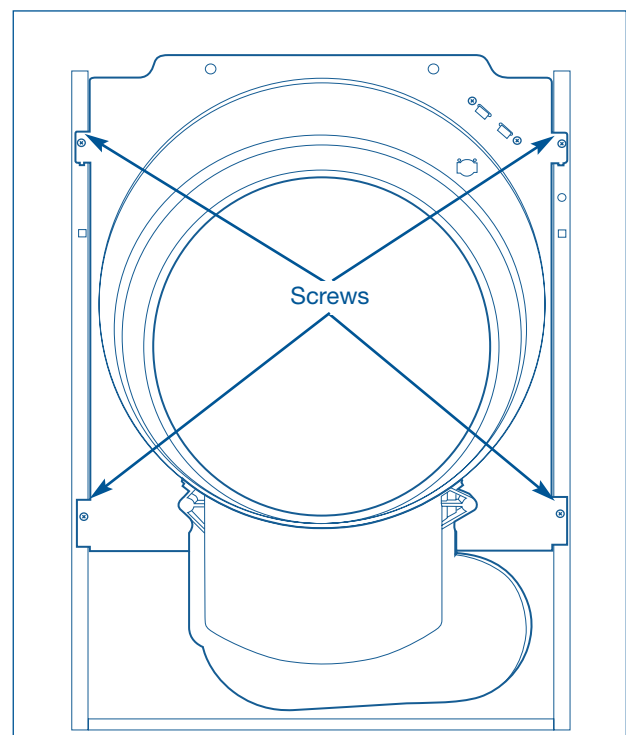


Figure 4-30.

### Roller Assembly Removal

There are five roller assemblies that the dryer drum rides upon. The roller shafts are secured to the outside of the inner panels by a 9/16" nut. The rollers slide onto the roller shafts and are secured with triangular retainers.

To remove the roller assemblies:

1. Remove the top panel, rear panel, console, front panel, front inner panel and drum.

**NOTE:** With the drum removed, all roller assemblies are accessible. Figure 4-32 illustrates the front roller assemblies.

2. Using a 9/16" socket or wrench, remove the nut from the roller shaft securing it to the inner panel. A 3/8" wrench can be used on the opposite end of the shaft to stop the shaft from turning while loosening and tightening the nut. (See Figure 4-31)
3. Pull roller assembly from inner panel.
4. Use a small flat bladed screwdriver and remove the triangular retainer from the roller shaft. Pull the roller from the roller shaft.

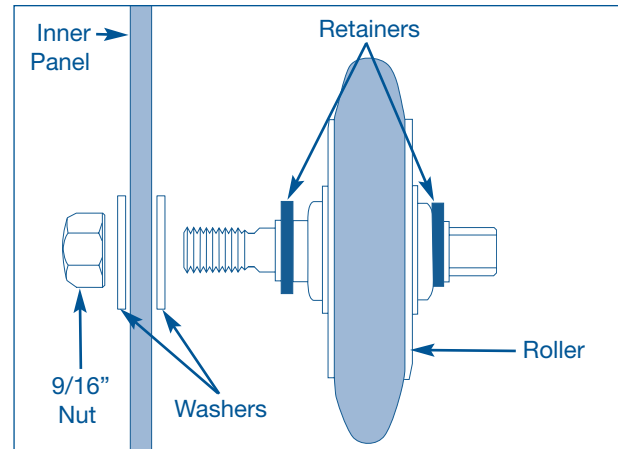


Figure 4-31.

### Front Air Duct Removal

The front air duct is secured with three screws to the inner front panel. The two screws behind the rollers are only accessible with the inner panel removed from the unit.

To remove the front air duct:

1. Remove the top panel, rear panel, console, front panel, front inner panel and drum.
2. From the backside of the front inner panel, use a small flat bladed screwdriver and remove the triangular retainer from the two roller shafts. Pull the rollers from the roller shafts.
3. Using a #2 square bit screwdriver, extract the three screws securing the front air duct to the front inner panel. (See Figure 4-32)

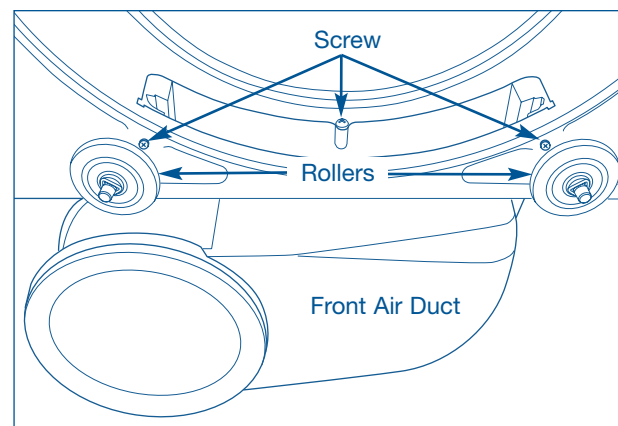


Figure 4-32.

## Exhaust Thermal Limiter Removal (Electric and Gas Models)

The exhaust thermal limiter is mounted with screws to the right side of the exhaust tube and is accessible from the rear of the machine.

To remove the exhaust thermal limiter:

1. Remove the top panel, rear top brace and the rear panel.
2. From the rear of the unit, disconnect the wire leads from the exhaust thermal limiter terminals.
3. Using a #2 square bit screwdriver, extract the two screws securing the exhaust thermal limiter to the exhaust tube. (See Figure 4-33)

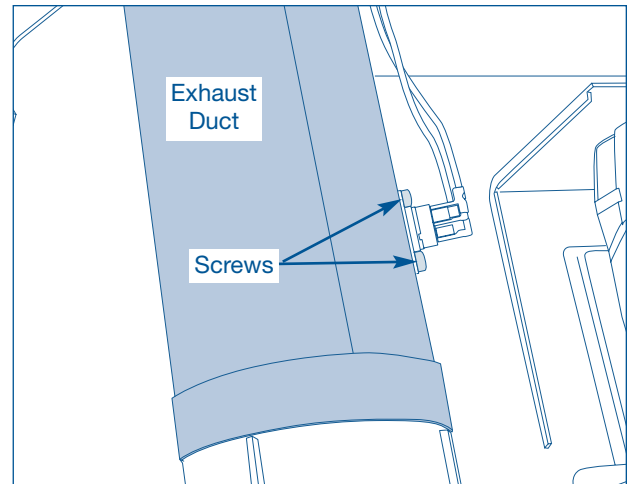


Figure 4-33.

## Exhaust Tube Removal (Electric and Gas Models)

The exhaust tube is secured at the rear of the unit with a screw to the unit base. A rubber seal slides over the connection between the exhaust tube and the blower assembly.

To remove the exhaust tube:

1. Remove the top panel, rear panel, console, front panel, front inner panel and drum.
2. Disconnect the wire leads from the exhaust thermal limiter terminals. Slide rubber seal onto the exhaust tube. (See Figure 4-34)
3. Using a #2 square bit screwdriver, extract the screw securing the exhaust tube to the unit base. Pull tube out of blower assembly outlet.

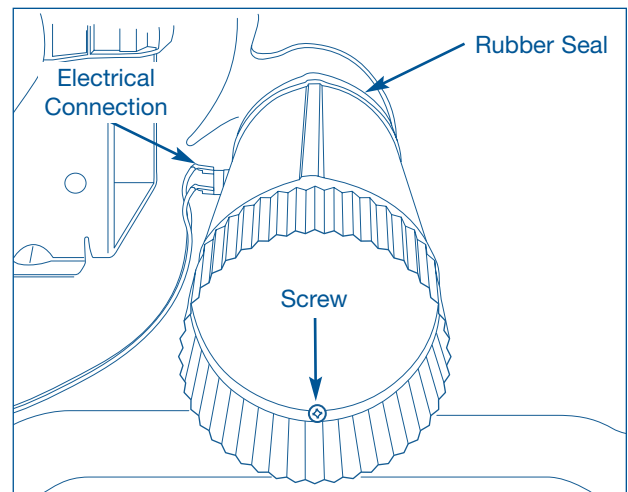


Figure 4-34.

## Outlet (Exhaust) Thermistor Removal (Electric and Gas Models)

The outlet thermistor is mounted with a screw to the front of the exhaust side of the blower outlet ducting.

To remove the outlet thermistor:

1. Remove the top panel, rear panel, console, front panel, front inner panel and drum.
2. Disconnect the wire leads from the outlet thermistor terminals.
3. Using a #2 square bit screwdriver, extract the two screws securing the outlet thermistor to the blower outlet duct. (See Figure 4-35)

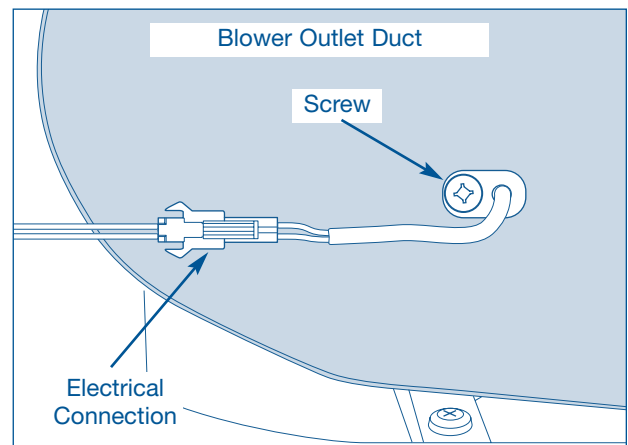


Figure 4-35.

### Belt Tensioner Removal (Wave Touch)

The belt tensioner is secured to the rear of the motor assembly with a 3/8" bolt. The belt tensioner may be accessed without removing the motor from its installation position.

To remove the belt tensioner:

1. Remove the top panel, top rear brace and rear panel. Release the belt from the belt tensioner.
2. Using a 3/8" socket or wrench, remove the bolt securing the belt tensioner to the motor mounting bracket. (See Figure 4-36)
3. The idler pulleys are removed from the belt tensioner arms by using a 7/16" socket or wrench for the nut, and a flat blade screwdriver in the flat on the opposite end of the shaft to prevent the shaft from turning.

**NOTE:** The idler pulleys may be removed by removing the "C" clip from the front of the idler shaft.

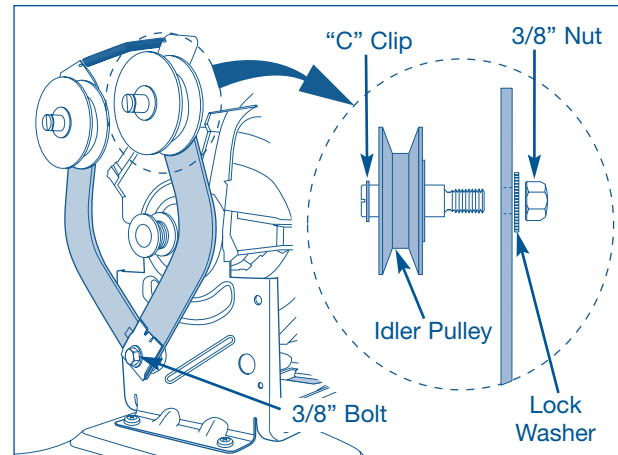


Figure 4-36.

### Belt Tensioner Removal (IQ Touch)

The belt tensioner is secured to the rear of the motor assembly with a 3/8" bolt. A spring, mounted to the motor mount assembly, provides tension to the idler arm and belt. The belt tensioner may be accessed without removing the motor from its installation position.

To remove the belt tensioner:

1. Remove the top panel, top rear brace and rear panel. Release the belt from the belt tensioner.
2. Using a 3/8" socket or wrench, remove the bolt securing the belt tensioner to the motor mounting bracket. (See Figure 4-37)
3. The idler pulleys are removed from the belt tensioner arms by using a 7/16" socket or wrench for the nut, and a flat blade screwdriver in the flat on the opposite end of the shaft to prevent the shaft from turning.

**NOTE:** The idler pulleys may be removed by removing the "C" clip from the front of the idler shaft.

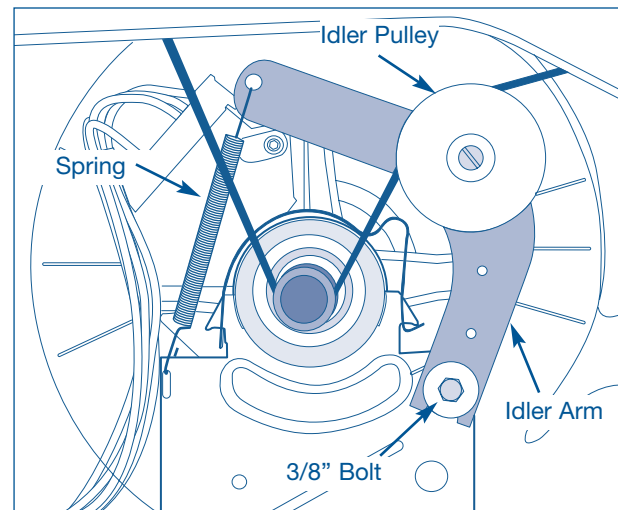


Figure 4-37.

## Motor and Blower Assembly Removal (Electric and Gas Models)

The motor bracket is secured by a large retaining tab that slides under the unit base and two screws that fasten into the unit base. The motor is secured to the bracket with a spring clip at the pulley end and with a retaining bracket to the blower assembly. The blower wheel is mounted to the motor shaft with a left hand thread and secured with a nut.

To remove the motor:

1. Remove the top panel, rear panel, console, front panel, front inner panel and drum.
2. Disconnect the wire harness connection from the motor.
3. Using a #2 square bit screwdriver, extract the screws securing the motor assembly to the unit base. (See Figure 4-38)
4. Extract the screw securing the blower outlet thermistor to the blower assembly and then pull from blower assembly. (See Figure 4-39)
5. Extract the two screws securing the blower assembly to the unit base. (See Figure 4-39)
6. Push the rubber seal covering the exhaust tube and blower assembly connection onto the exhaust tube. Pull the motor and blower assembly towards the front of the unit until the tab on the motor mounting bracket releases from the unit base, then pull until assembly is free of the exhaust tube.

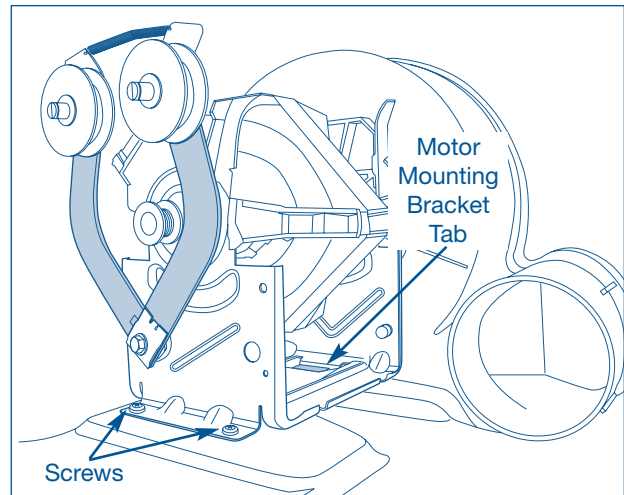


Figure 4-38.

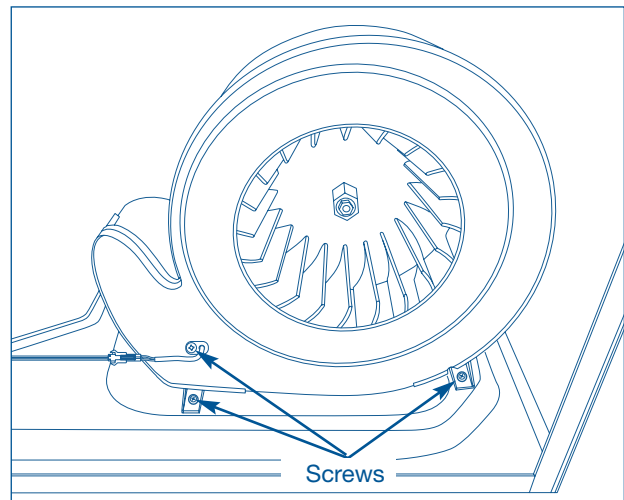


Figure 4-39.

### Motor and Blower Assembly Separation (Electric and Gas Models)

To separate the motor from the blower assembly, remove the motor and blower assemblies as shown in figures 4-36 & 4-37, then follow the steps below.

1. Using a 7/16" extended socket, remove the nut securing the motor shaft to the blower wheel. (See Figure 4-38)
2. Using a 7/8" extended socket and while holding the motor shaft from turning, loosen the blower wheel from the shaft by turning clockwise. Spin blower wheel clockwise until free of motor shaft. (See Figure 4-38)
3. Using a small flat bladed screwdriver, lift the blower housing lock over the tab and pull out of slot. (See Figure 4-39)
4. Using a pliers, grab the motor clip at its outer edge, then push down and away from the motor mounting bracket until free of retaining tab. Remove motor clip from motor assembly. (See Figure 4-40)
5. Lift the motor off the motor mounting bracket and pull motor out from the blower assembly.

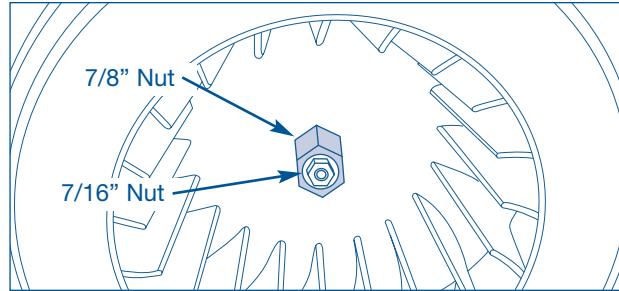


Figure 4-38.

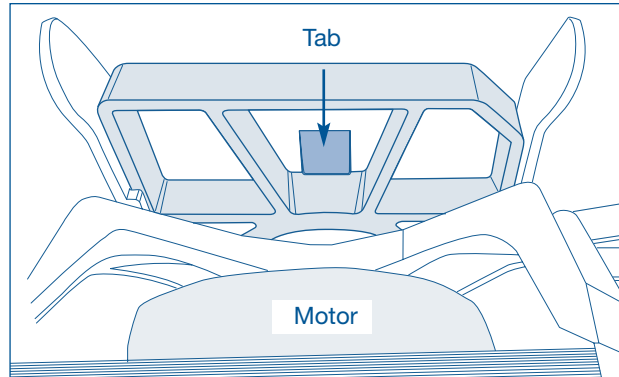


Figure 4-39.

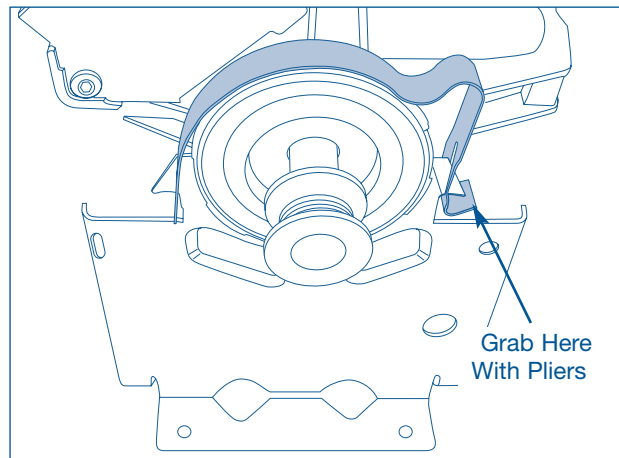


Figure 4-40.

## Drum Vane Removal (Electric and Gas Models)

The drum vanes are secured with screws that pass through the drum and fasten into the vanes.

To remove the drum vanes:

1. Remove the top panel.
2. Rotate the drum to access the screws on the exterior of the drum. While supporting the drum vane, use a #2 square bit screwdriver and extract the screws securing the drum vanes to the interior of the drum. (See Figure 4-41)

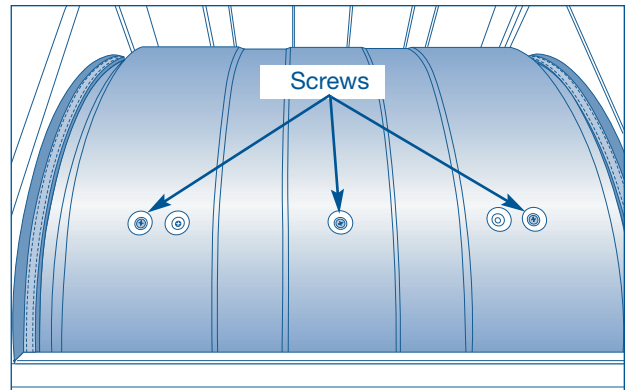


Figure 4-41.

## Rear Heat Duct Removal

The rear heat duct is secured with three screws to the rear inner panel. A thermistor is mounted to the rear upper right hand side of the heat duct and is secured with a screw.

To remove the rear heat duct:

1. Remove the top panel, rear panel, console, front panel, front inner panel and drum.
2. From the rear of the unit, remove the inlet thermistor. (See Figure 4-42)
3. From the inside of the inner panel, using a #2 square bit screwdriver and extract the screws securing the rear air duct to the rear inner panel. Pull the rear air duct from the rear inner panel. (See Figure 4-43)

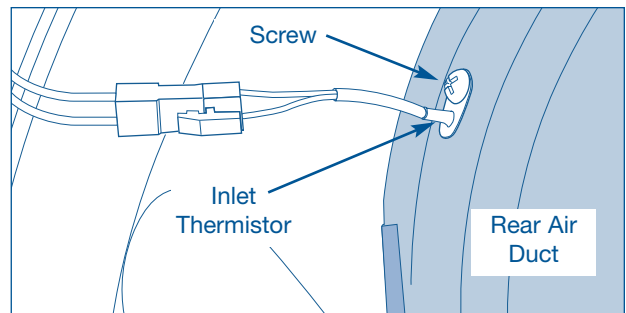


Figure 4-42.

## Heat Shield Removal (Electric Models)

**NOTE:** If unit was used prior to service, the heater assembly may be hot. Refer to Warnings and Cautions at the beginning of this section.

The heat shield is secured with a screw to the mounting bracket for the heater assembly.

To remove the heat shield:

1. Remove the top panel, rear panel, console, front panel, front inner panel and drum.
2. Using a #2 square bit screwdriver, extract the screw securing the heat shield to the heater mounting bracket. (See Figure 4-44)

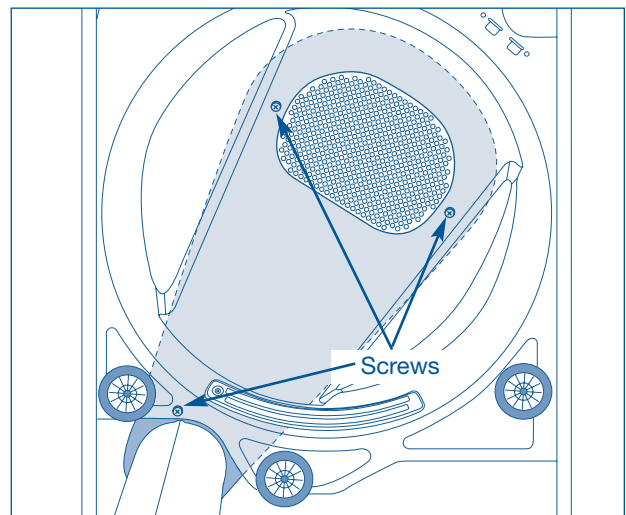


Figure 4-43.

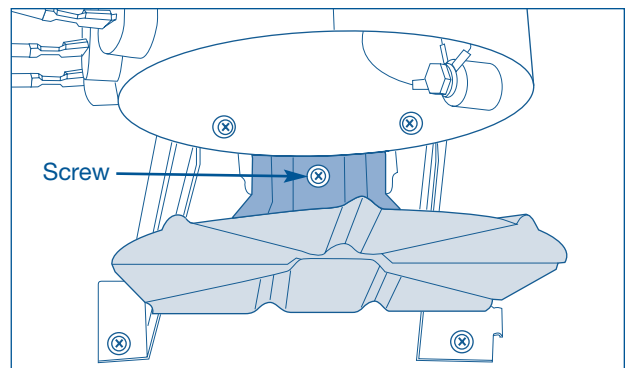


Figure 4-44.



### Electric Heater Function

The electric heater assembly consists of three 5500 Watt elements, that are energized as needed by the electronic control.

Under normal circumstances where the unit is starting at ambient temperature (below 100°F), all heating elements should turn on. Above 100°F (in the exhaust), any number of heating elements may be on depending on selected cycle, temperature settings, options and previous state of elements. Unless there is a high vent restriction or faulty thermistor, the heater element conditions will be controlled by the exhaust NTC.

### Heater Assembly Removal (Electric Models)

**NOTE:** If unit was used prior to service, the heater assembly may be hot. Refer to Warnings and Cautions at the beginning of this section.

The heater assembly is secured to a mounting bracket in the front and secured with two screws. The rear of the heater slides into the heat duct and is secured with a screw to the right rear of the heater assembly.

1. Remove the top panel, rear panel, console, front panel, front inner panel, drum and heat shield.
2. Disconnect all wire leads from the components mounted to the heater assembly, labeling as needed to assure proper connection.
3. Using a #2 square bit screwdriver, extract the two screws at the front of the heater assembly and the single screw at the right rear. (See Figure 4-45)
4. Pull the heater assembly from heat duct.

### Thermal Limiter and Safety Thermostat Removal (Electric Models)

The thermal limiter and safety thermostat are mounted to the left side of the heater assembly and secured in position with screws.

To remove the thermal limiter and safety thermostat:

1. Remove the top panel, rear panel, console, front panel, front inner panel and drum.
2. Disconnect the electrical leads from the thermistor that is to be checked or replaced.
3. Using a #2 square bit screwdriver, extract the two screws securing the thermistor mounting bracket to the heater assembly. (See Figure 4-46)

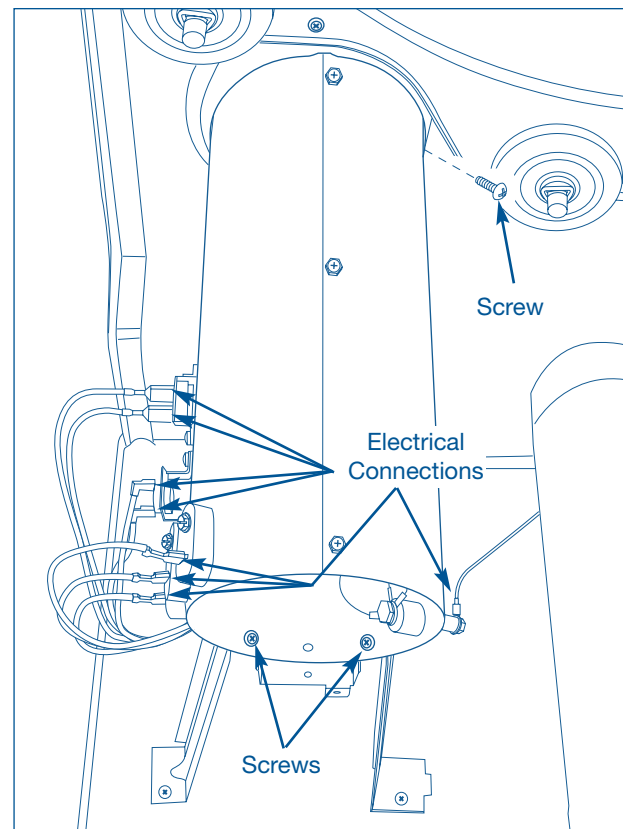


Figure 4-45.

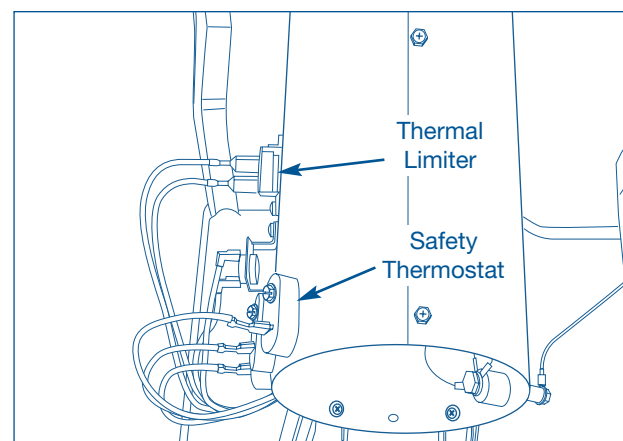


Figure 4-46.

## Gas Heater Assembly Breakdown

The gas heater assembly consists of the supply manifold pipe, gas valves and coils, ignitor, burner and combustion tube with sensors.

### Thermal Limiters Removal (Gas Models)

The thermal limiter and safety thermistor are mounted to the upper left hand side of the combustion tube assembly.

To remove the thermal limiter and safety thermistor:

1. Remove the top panel, rear panel, console, front panel, front inner panel and drum.
2. Disconnect the electrical leads from the thermal limiter and safety thermistor.
3. Using a #2 square bit screwdriver, extract the screws securing the sensors to the combustion tube. (See Figure 4-47)

## ⚠ WARNING

**ALWAYS SHUT OFF THE GAS SUPPLY BEFORE SERVICING A GAS DRYER.**

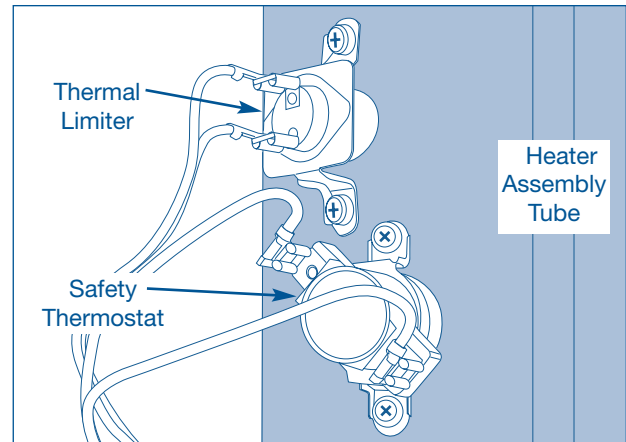


Figure 4-47.

### Gas Valve Wire Harness Connections (Gas Models)

To remove the wire harness connections:

1. Remove the top panel, rear panel, console, front panel, front inner panel and drum.
2. Label the connections as needed prior to disconnecting.
3. Disconnect from the Molex connectors for the ignitor, sensor and main wire harness. (See Figure 4-48)
4. Disconnect wire leads from gas valve coil terminals.

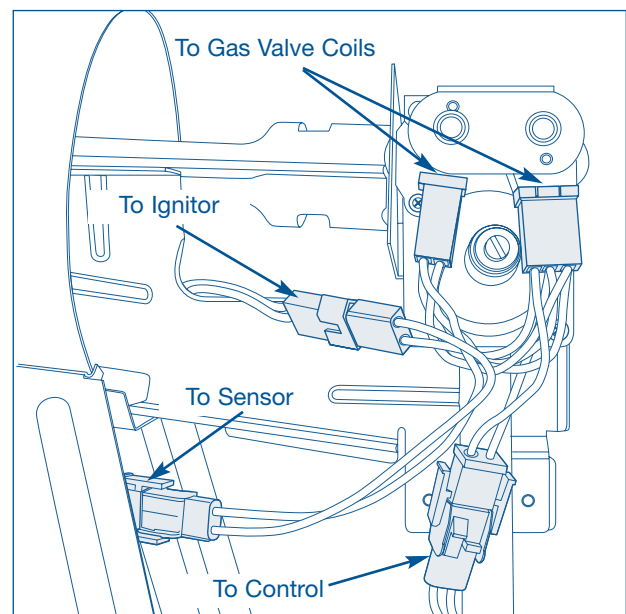


Figure 4-48.

### Gas Valve Coil Removal (Gas Models)

The gas valve coils are secured by a bracket that has two screws fastened into the gas valve body. Small plastic pins locate the coils for proper alignment.

To remove the gas valve coils:

1. Remove the top panel, rear panel, console, front panel, front inner panel and drum.
2. Disconnect the two wire harness leads from the gas valve coil terminals.
3. Using a #2 Phillips head screwdriver, extract two screws securing the coil bracket to the valve body. Remove bracket from valve body. (See Figure 4-49)
4. Pull coils from valve body.

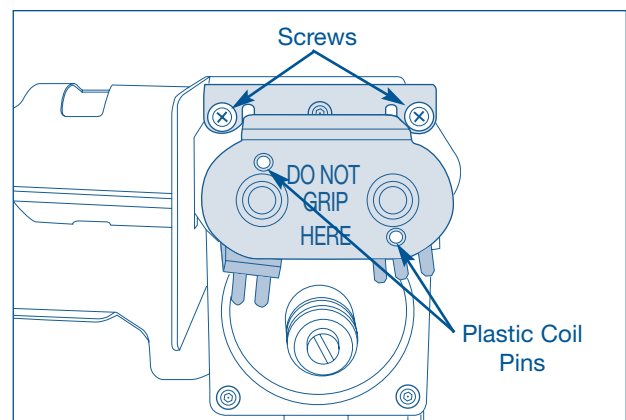


Figure 4-49.

### Manifold and Burner Assembly Breakdown (Gas Models)

In order to separate the manifold from the valve body, the burner assembly must be removed from the valve body. A screw at the rear of the unit secures the manifold to the rear frame as well as two screws securing the manifold to the unit base. All electrical connections should be disconnected prior to removing the manifold.

To remove the manifold and burner assembly:

1. Remove the top panel, console and front panel.
2. Disconnect all electrical connections from gas valve, coils, ignitor and wire harness. (See Figure 4-48)
3. Using a #2 square bit screwdriver, extract the screw from the rear of the unit base securing the manifold mount to the unit base. (See Figure 4-50)
4. Extract the two screws from the manifold mount located beneath the combustion tube. (See Figure 4-50)
5. Extract the screw from the bent down tab at the entrance of the combustion tube. (See Figure 4-50)
6. The gas valve and burner assembly with the manifold attached, can now be pulled out of the combustion tube.
7. Using a #2 square bit screwdriver, extract the screws securing the burner assembly to the gas valve mounting bracket. (See Figure 4-51)
8. Extract the four screws securing the gas valve mounting bracket to the gas valve and manifold. Remove the gas valve mounting bracket from the assembly. (See Figure 4-50)
9. Extract the screw securing the ignitor to the gas valve mounting bracket. Lift the ignitor off the tab and remove from bracket. (See Figure 4-51)
10. Separate the manifold from the gas valve by using a 1-3/16" open end wrench or a large adjustable wrench, and grabbing the gas valve body on the square section directly above the manifold. Turn gas valve body counter clockwise to remove. (See Figure 4-52)

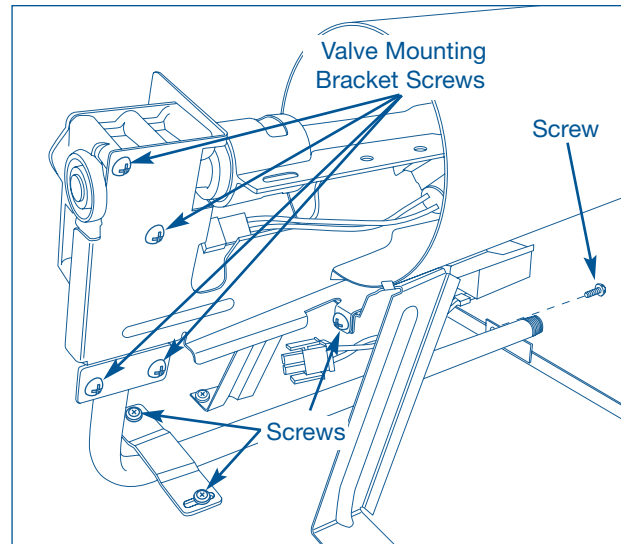


Figure 4-50.

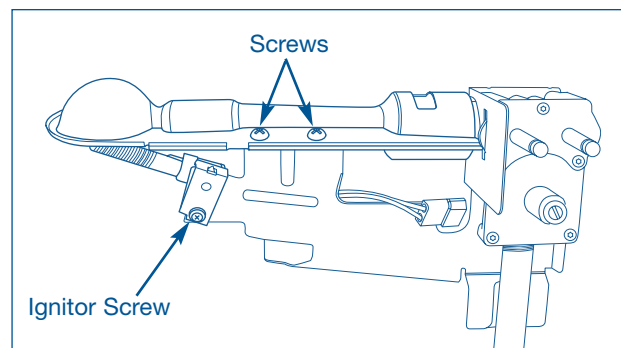


Figure 4-51.

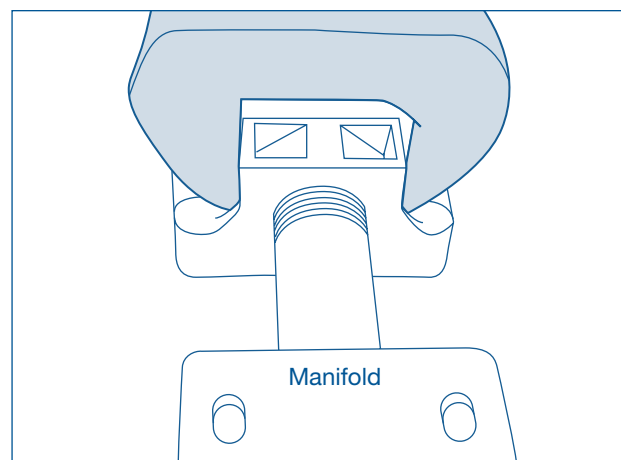


Figure 4-52.

### Combustion Tube Removal (Gas Models)

The combustion tube is secured to a mounting bracket in the front and secured with two screws. The rear of the combustion tube slides into the heat duct and is secured with a screw to the right rear of the combustion tube.

To remove the combustion tube:

1. Remove the top panel, rear panel, console, front panel, front inner panel and drum.
2. Remove burner and gas valve assembly.
3. Disconnect the sensor and thermal limiters from wire harness.
4. Using a #2 square bit screwdriver, extract the two screws at the front of the combustion tube and the single screw at the right rear. (See Figure 4-53)
5. Pull the combustion tube from heat duct.

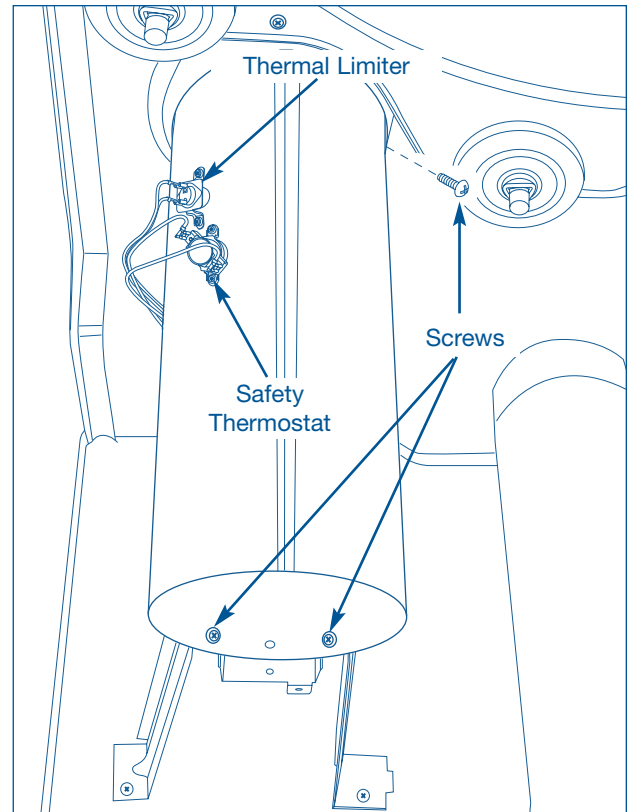


Figure 4-53.

# Section 5

## Troubleshooting

The following troubleshooting chart involves problems arising from improper drying techniques and are not valid service issues. Many drying problems involve poor cleaning results, poor soil and stain removal, residues of lint and scum, and fabric damage. For satisfactory drying results, follow these suggestions provided by The Soap and Detergent Association.

For Troubleshooting the electronic control and error codes, See Section Three Electronic Control.

Problem	Cause	Correction
Greasy, oily stains	1. Fabric softener sheet.	<ol style="list-style-type: none"> <li>1. Rub fabric softener stains with bar soap. Rinse and rewash.</li> <li>2. Place fabric softener sheet on top of load before starting the dryer.</li> <li>3. Some "silk-like" fabrics should be air dried.</li> <li>4. Add a few bath towels to small loads for proper tumbling.</li> <li>5. Use proper drying temperature.</li> </ol>
Lint	<ol style="list-style-type: none"> <li>1. Overloading.</li> <li>2. Overdrying causes static electricity.</li> <li>3. Lint screen not clean when cycle began.</li> <li>4. Lint is attached to "pills."</li> </ol>	<ol style="list-style-type: none"> <li>1. Reduce load size and rewash using liquid fabric softener in the final rinse.</li> <li>2. Or, add a fabric softener sheet and tumble without heat.</li> <li>3. Use lint brush or roller to remove lint.</li> <li>4. Check that lint filter is clean and in place.</li> </ol>
Pilling (Fibers break off, ball up and cling to fabric.)	1. Overdrying.	<ol style="list-style-type: none"> <li>1. Use a lint brush or shaver to remove pills.</li> <li>2. Use fabric softener to lubricate fibers.</li> <li>3. Turn items inside out to reduce abrasion.</li> <li>4. When ironing, use spray starch or fabric finish on collars and cuffs.</li> </ol>
Shrinking	<ol style="list-style-type: none"> <li>1. Temperature too high.</li> <li>2. Overdrying.</li> </ol>	<ol style="list-style-type: none"> <li>1. Irreversible condition.</li> <li>2. Follow fabric care label directions.</li> <li>3. If shrinking is a concern, check load often.</li> <li>4. Remove items while slightly damp and hang or lay flat to complete drying.</li> <li>5. Block knits into shape.</li> </ol>
Wrinkling	<ol style="list-style-type: none"> <li>1. Overloading.</li> <li>2. Leaving items in dryer after cycle ends.</li> </ol>	<ol style="list-style-type: none"> <li>1. Reduce load size and tumble at medium or low heat for 5-10 minutes.</li> <li>2. Remove items immediately. Hang or fold.</li> </ol>

The following troubleshooting chart involves common concerns that are not the result of defective workmanship or materials in this washer. Some problems below involve improper installation and issues arising from the users household water supply. See the Use and Care guide for the unit in question and the Installation Section in this manual.

Problem	Cause	Correction
Dryer does not start.	<ol style="list-style-type: none"> <li>1. Electrical power cord is not securely plugged in or plug may be loose.</li> <li>2. House fuse blown or circuit breaker tripped.</li> <li>3. Thermal limiter tripped.</li> </ol>	<ol style="list-style-type: none"> <li>1. Make sure the plug fits tightly in wall outlet.</li> <li>2. Reset circuit breaker or replace fuse.</li> <li>3. Test and replace thermal limiter.</li> </ol>
LCD displays DEMO mode.	<ol style="list-style-type: none"> <li>1. Dryer has been programmed to temporarily perform a repeating demo cycle.</li> </ol>	<ol style="list-style-type: none"> <li>1. To return to the factory default settings, press and hold the temperature and dryness buttons at the same for 5 seconds.</li> </ol>
Dryer runs but won't heat.	<ol style="list-style-type: none"> <li>1. There are 2 house fuses in the dryer circuit. If 1 of the 2 fuses is blown, the drum may turn but the heater will not operate. (electric models)</li> <li>2. Gas supply valve is not open (gas models).</li> <li>3. Dryer does not have enough air supply to support the burner flame (gas models).</li> <li>4. LP gas supply tank is empty or there has been a utility interruption of natural gas (gas models).</li> </ol>	<ol style="list-style-type: none"> <li>1. Replace fuse.</li> <li>2. Check to make sure supply valve is open. See INSTALLATION INSTRUCTIONS for procedure.</li> <li>3. See INSTALLATION INSTRUCTIONS.</li> <li>4. Refill or replace tank. Dryer should heat when utility service is restored.</li> </ol>
Drying cycle takes too long, outside of the dryer feels too hot or smells hot.	<ol style="list-style-type: none"> <li>1. Lint filter is clogged with lint.</li> <li>2. Exhaust duct requirements have not been met.</li> <li>3. Electric dryer is connected to a 208 volt circuit.</li> <li>4. Drying procedures have not been followed.</li> <li>5. Outside exhaust hood or exhaust duct may be clogged or restricted.</li> <li>6. High humidity.</li> </ol>	<ol style="list-style-type: none"> <li>1. Make sure all lint has been removed from dryer lint filter before starting each cycle.</li> <li>2a. Exhaust duct must be at least 4 inches in diameter and made of rigid or semi-rigid metal.</li> <li>2b. When in place, the duct must have no more than two 90° bends and must not exceed length listed in INSTALLATION INSTRUCTIONS.</li> <li>3. Drying time will be 20% longer than drying on a 240 volt circuit.</li> <li>4. See "Operating Instructions."</li> <li>5. Clean out any obstruction.</li> <li>6. Use a dehumidifier near the dryer.</li> </ol>

Problem	Cause	Correction
Scratching or chipping of the drum finish.	<ol style="list-style-type: none"> <li>Foreign objects such as coins, pins, clips or buttons are inside the dryer.*</li> <li>Permanently attached items such as belt buckles, zippers and fasteners may be hitting the inside of the drum.*</li> </ol>	<ol style="list-style-type: none"> <li>Always remove foreign objects from pockets before laundering. Remove objects from drum and restart dryer.</li> <li>It may be necessary to sew a scrap of material securely around ornaments before drying to prevent scratching and damage to the dryer.</li> </ol> <p><b>NOTE:</b> *Drum damage caused by foreign objects or permanently attached items is not covered by the warranty.</p>

## Electrical Tests For Electric and Gas Dryers

### Continuity

When measured by an Ohm meter, there should be no more than .1 Ohms resistance between the terminal block ground and any exposed metal dryer cabinet component including control shafts and switches when probed through or in any unpainted area.

Check continuity between motor frame and motor support bracket using a continuity light. Test light must illuminate when probing the motor frame with one end of the test light and the motor bracket with the other.

If dryer fails continuity with a low voltage tester, check continuity using 120 VAC.

### Insulation Dielectric Strength

Disconnect ground link from the neutral of the terminal block on the dryer. With the dryer completely assembled and with the door closed, apply 1200 VAC or more for one second to the terminal block terminals or service cord.

Connect one probe to all three terminals and the other probe to the backsheet. There shall be no more than 5mA of current during the one second test interval. During the 1 second test, no drop in voltage below 1200 VAC is permissible.

### Motor Power

Audit - (power required after 20 seconds with no load, motor CW direction, and no heat) 200 to 280 watts.

Line Test - (power required after 1-5 seconds with no load, motor CW direction, and no heat) 210 to 290 watts.

### Low Voltage Start

The dryer motor should start and operate at 100 volts (200 volts for 230 VAC, 50Hz dryers). The power will be set to not dip below this voltage during any part of the cycle. Increase the voltage to allow for meter error and line fluctuations. Test the run with a 50 pound clothes load (25 pounds at 100% moisture) at "Maximum" heat setting.

### Motor Protector Trip Time

When the motor is locked, the thermal protector must open to shut off motor within 3 to 10 seconds. This test also applies to the 50/60 Hz Motor when test is conducted at 230VAC 60 Hz.

**NOTE:** Tests must be run with a cold (ambient) motor. When tested in the unit, a jumper harness will be needed to bypass the software alarm for the motor not starting. Without the jumper, the software will stop the cycle within 3 seconds (before the thermal protector opens) if motor movement is not detected.

Tests must be run at 120VAC (line voltage not to sag below this value when the rotor is locked), unless specified otherwise.



### Electrical Tests For Electric Dryers Only

#### High Limit Thermostat Cycle Time

##### Trip:

Run the following test at room temperature. Set the Time Dry cycle for 30 minutes and the heat selection at maximum setting. Place a 100% exhaust block on the exhaust pipe. The dryer door should be open for this test and the door switch held closed by tape or similar means. The thermostat must open (heater off) between 35 to 120 seconds.

##### Reset :

When the exhaust block is removed and the door closed (keep tape over door switch), the thermostat must reset (heat on) within 120 seconds.

#### Thermal Limiter Trip Time

Run the following test at room temperature. Set the Time Dry cycle for 30 minutes and the heat selection at maximum setting. Place a 100% exhaust block on the exhaust pipe. The dryer door should be open for this test and the door switch held closed. The thermal limiter should trip and shut off the heaters after 1 to 5 minutes of operation. To enable this test, the High Limit Thermostat must be bypassed and NTC2 should be removed from the heat duct.

**NOTE:** This test renders the thermal limiter inoperative, a new thermal limiter must be installed after this test.

#### Drum Temperatures

The following tests should be run with an unrestricted exhaust. The location of the thermal couple is to be the square in the lint grill which is 12 squares left from the right edge of the lint blade and (2) squares forward. The tip should extend 1.25" into the air grill. Set the dryer timer as needed for each test. The recordable temperature is to be the maximum temperature following the heater off of the 3rd cycle.

**No load is to be used for the following heat settings:**

Heat Setting	Thermistor Status	Temperature (F)
Max*	Satisfied/Heater Off	120 to 160
Medium*	Satisfied/Heater Off	110 to 140
Low*	Satisfied/Heater Off	95 to 130

\* Each opening temperature should be equal to or higher than the opening temperature for the next lower temperature setting.

## Electrical Tests For Gas Dryers

### Manifold Pressure

Connect manometer to pressure tap on gas valve. During burner operation, manometer reading should be between 2.9 and 4.0 inches of gage oil.

### Flames Entering Drying Chamber

Block exhaust and inspect flame length. The flames should not be entering the drying chamber.

### Flash Back Into Burner

With exhaust blocked, inspect for flash back into burner during ignition.

### Flame Failure

Shut off manual gas valve to extinguish flame. Sensor must shut off gas valve within 90 seconds.

### Power Interruption

Interrupt power momentarily for 2 seconds, motor should not continue to run when power is restored. Valve should not open when power is restored until ignition device is re-energized.

### Carbon Deposit

Inspect heater housing and burner tube for carbon deposits after testing.

### Ignition Time

Time required for glow bar to light gas: 50 sec. max.

### Ignition Power

Power required for glow bar to light gas: 550 - 850 W

### Minimum Operating Voltage

Dryer and gas valve to function properly at 100 Volts.

### Reduced Gas Pressure

Reduce gas pressure to 1.0 inch in gage oil. Stop and then restart dryer. Allow gas ignition system to recycle and check to see that ignition is obtained.

### Static Pressure

Static pressure at the exhaust exit (when using a 100% exhaust block), as measured by a manometer, shall be 1.6 inch of gage oil, minimum.

### High Limit Thermostat Cycle Time Trip

Trip:

Run the following test at room temperature. Set the control board cycle time for 30 minutes and the heat selection for regular fabrics (max heat setting).

Place a 100% exhaust block on the exhaust pipe. The dryer door should be open for this test and the door switch held closed by tape or similar means. The thermostat must open (heater off) between 25 to 110 seconds.

Reset:

When the exhaust block is removed and the door closed (keep tape over door switch), the thermostat must reset (heat on) within 120 seconds.

### Electrical Tests For Gas Dryers

#### Thermal Limiter Trip Time

Run the following test at room temperature. Set the Time Dry cycle for 30 minutes and the heat selection at maximum setting. Place a 100% exhaust block on the exhaust pipe. The dryer door should be open for this test and the door switch held closed. The thermal limiter should trip and shut the dryer off after 1 to 5 minutes of operation. To enable this test, the High Limit Thermostat must be bypassed and NTC2 should be removed from the heat duct.

Note: This test renders the thermal limiter inoperative, a new thermal limiter must be installed after this test.

#### Drum Temperatures

The following tests should be run with an unrestricted exhaust. The location of the thermal couple is to be the square in the lint grill which is 12 squares left from the right edge of the lint blade and (2) squares forward. The tip should extend 1.25" into the air grill. Set the dryer timer as needed for each test. The recordable temperature is to be the maximum temperature following the heater off of the 3rd cycle.

**No load is to be used for the following heat settings:**

Heat Setting	Thermistor Status	Temperature (F)
Max*	Satisfied/Heater Off	120 to 180
Medium*	Satisfied/Heater Off	105 to 145
Low*	Satisfied/Heater Off	95 to 130

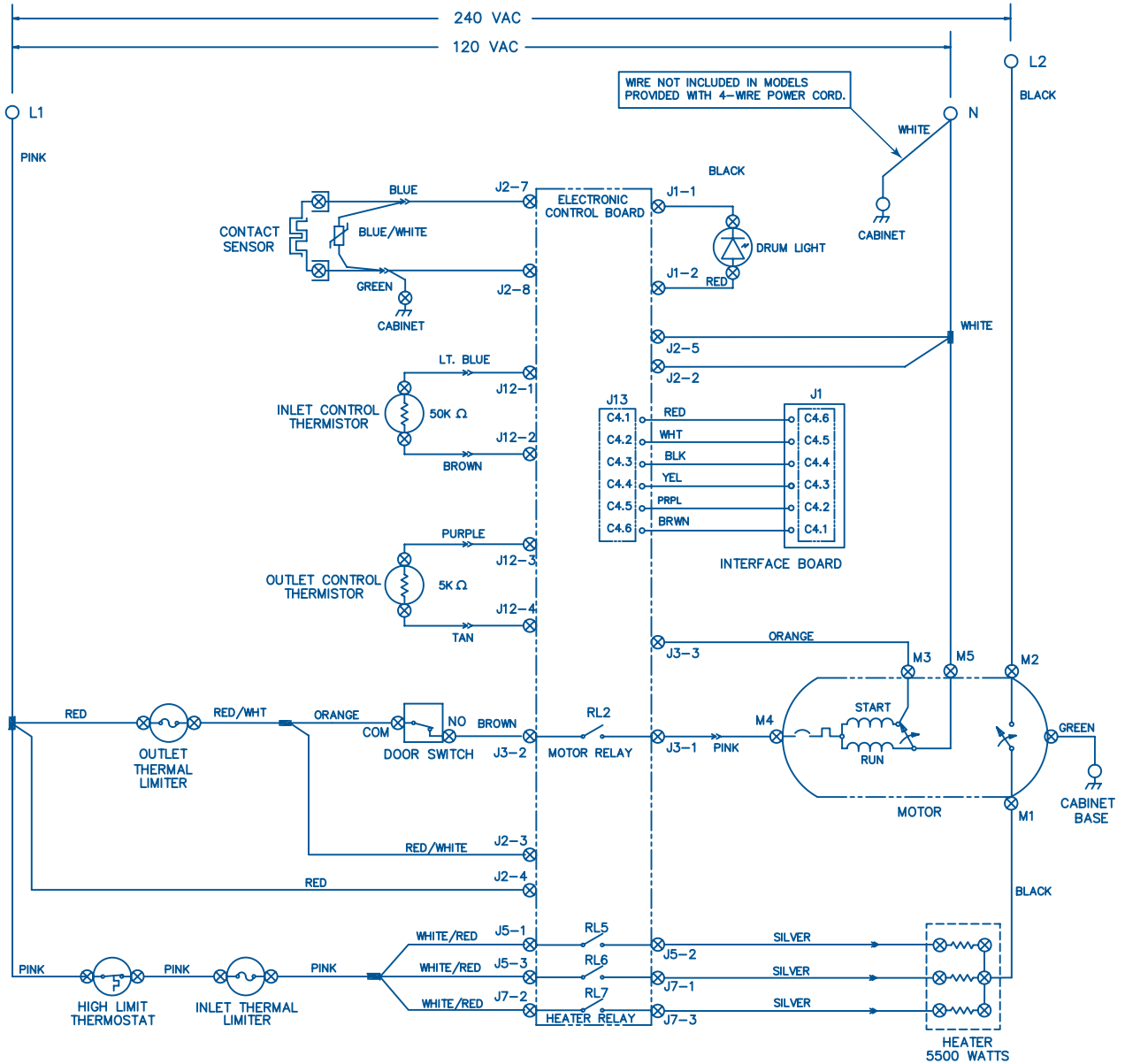
\* Each opening temperature should be equal to or higher than the opening temperature for the next lower temperature setting.



# Section 6

## Wiring Diagrams

## Model EIED55H



WIRING CODES	
	QUICK DISCONNECT TERMINAL
	CONNECTION
	NO CONNECTION
	MOTOR SWITCH
	SPLICE
	MOTOR PROTECTOR
	CHASSIS (CABINET) GROUND
	SCREW TERMINAL
	HARNES CONNECTOR TERMINAL
	INSULATED TERMINAL
	TRANSIENT VOLT SUPPRESSOR

NOTE:  
DASHED LINES INDICATE CIRCUITS THAT ARE NOT IN ALL MODELS.

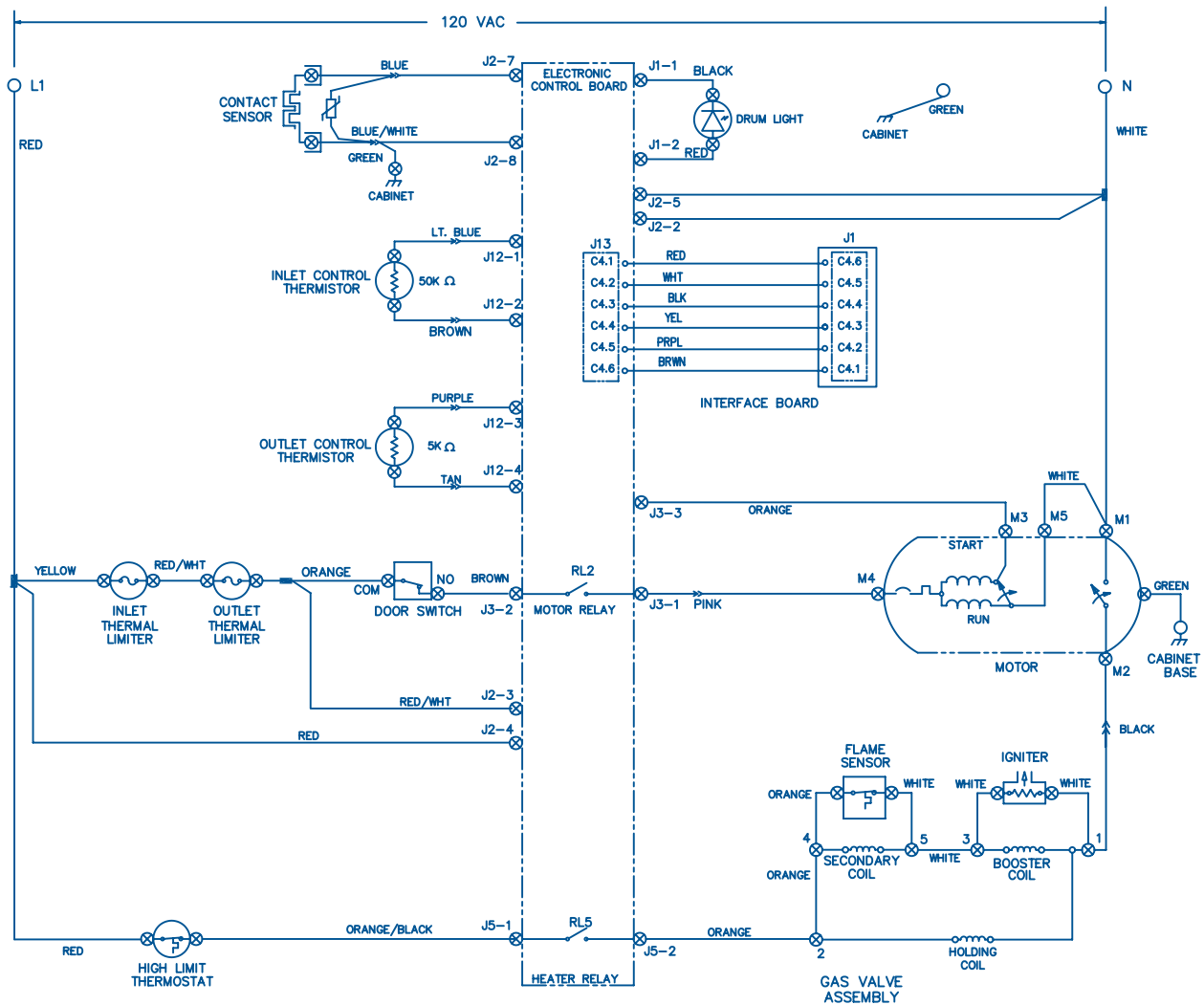
NOTES:  
1. CONNECT DRYER TO A 30 AMPERE INDIVIDUAL BRANCH CIRCUIT.  
2. CONTROL SHOWN IN OFF POSITION, DOOR SWITCH CLOSED & MOTOR AT REST.

E

WIRING DIAGRAM PART NO.134793300 D

**! CAUTION:**  
DISCONNECT ELECTRIC CURRENT BEFORE SERVICING.  
LABEL ALL WIRES PRIOR TO DISCONNECTION WHEN SERVICING CONTROLS.  
WIRING ERRORS CAN CAUSE IMPROPER AND DANGEROUS OPERATION.  
VERIFY PROPER OPERATION AFTER SERVICING.

### Model EIGD55H



WIRING CODES	
	QUICK DISCONNECT TERMINAL
	CONNECTION
	NO CONNECTION
	MOTOR SWITCH
	SPLICE
	MOTOR PROTECTOR
	CHASSIS (CABINET) GROUND
	SCREW TERMINAL
	HARNES CONNECTOR TERMINAL
	INSULATED TERMINAL
	TRANSIENT VOLT SUPPRESSOR

NOTE:  
DASHED LINES INDICATE CIRCUITS THAT ARE NOT IN ALL MODELS.

NOTES:

1. CONNECT DRYER TO A 30 AMPERE INDIVIDUAL BRANCH CIRCUIT.
2. CONTROL SHOWN IN OFF POSITION, DOOR SWITCH CLOSED & MOTOR AT REST.

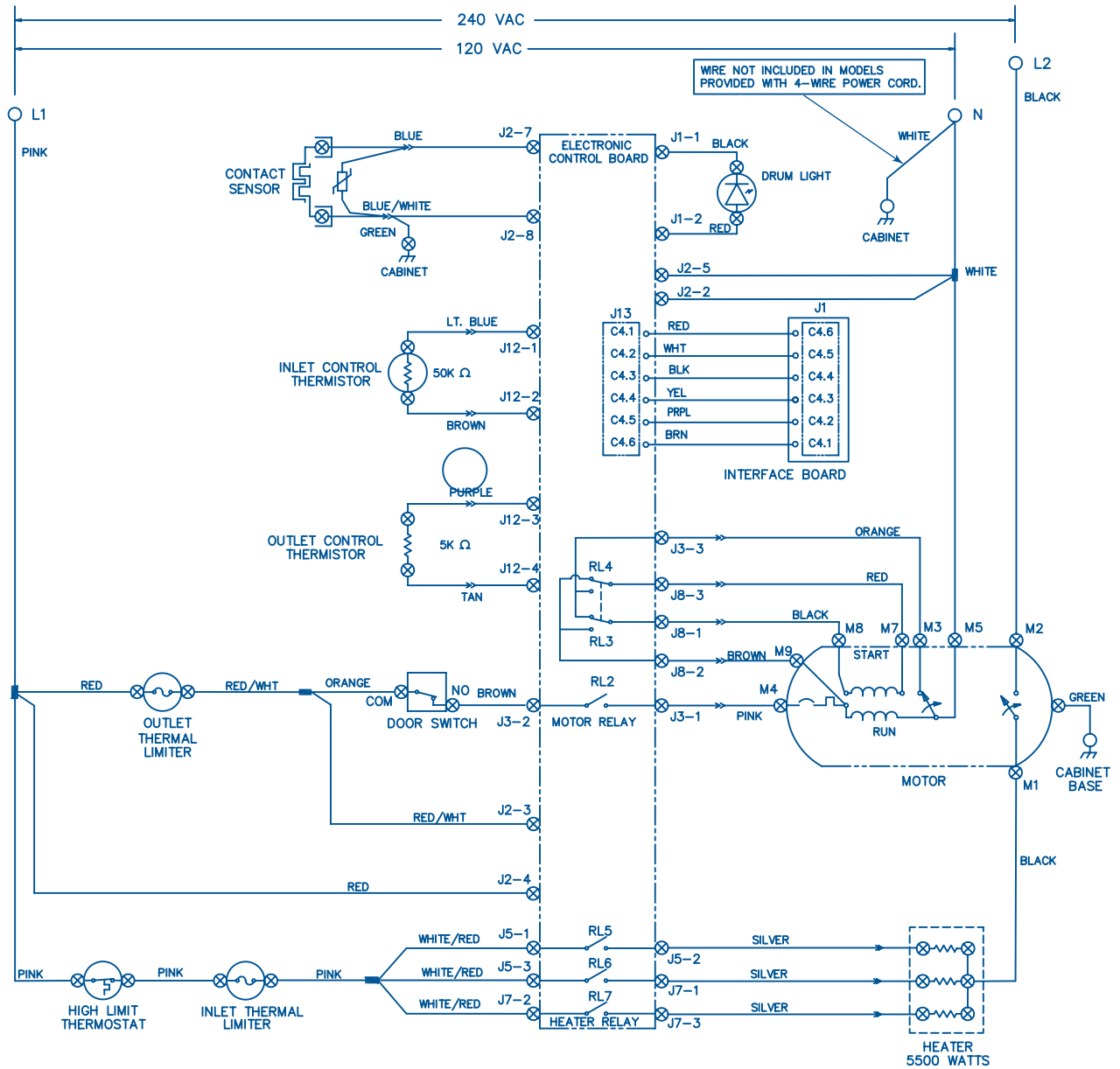
G

WIRING DIAGRAM PART NO.134793300 D

! CAUTION:

DISCONNECT ELECTRIC CURRENT BEFORE SERVICING.  
LABEL ALL WIRES PRIOR TO DISCONNECTION WHEN SERVICING CONTROLS.  
WIRING ERRORS CAN CAUSE IMPROPER AND DANGEROUS OPERATION.  
VERIFY PROPER OPERATION AFTER SERVICING.

## Model EWED65H



WIRING CODES	
	QUICK DISCONNECT TERMINAL
	CONNECTION
	NO CONNECTION
	MOTOR SWITCH
	SPLICE
	MOTOR PROTECTOR
	CHASSIS (CABINET) GROUND
	SCREW TERMINAL
	HARNESS CONNECTOR TERMINAL
	INSULATED TERMINAL
	TRANSIENT VOLT SUPPRESSOR

NOTE:  
DASHED LINES INDICATE CIRCUITS THAT ARE NOT IN ALL MODELS.

NOTES:  
1. CONNECT DRYER TO A 30 AMPERE INDIVIDUAL BRANCH CIRCUIT.  
2. CONTROL SHOWN IN OFF POSITION, DOOR SWITCH CLOSED & MOTOR AT REST.

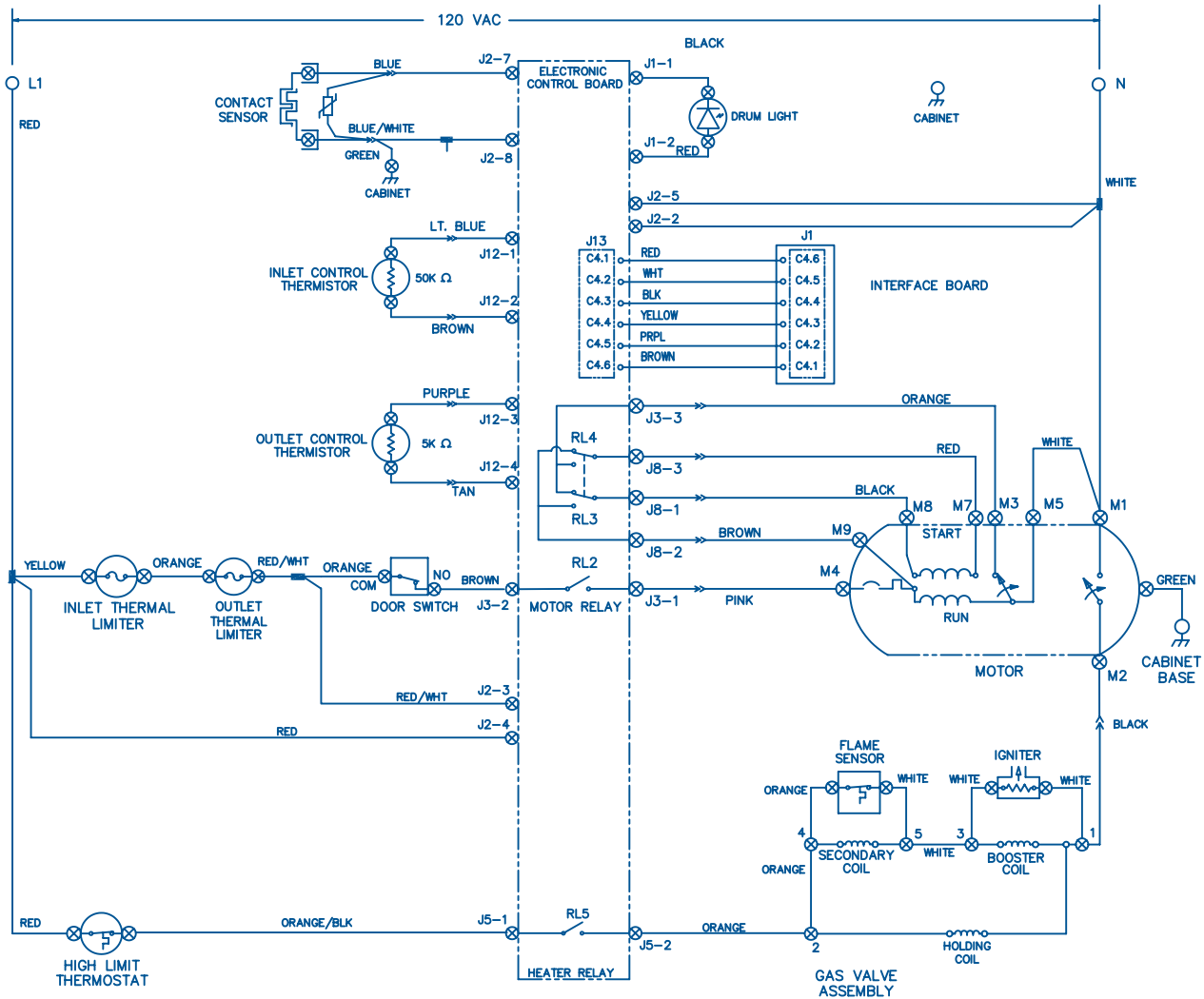
E

WIRING DIAGRAM PART NO. 134793400 D

**! CAUTION:**  
DISCONNECT ELECTRIC CURRENT BEFORE SERVICING.  
LABEL ALL WIRES PRIOR TO DISCONNECTION WHEN SERVICING CONTROLS.  
WIRING ERRORS CAN CAUSE IMPROPER AND DANGEROUS OPERATION.  
VERIFY PROPER OPERATION AFTER SERVICING.



### Model EWGD65H



WIRING CODES	
	QUICK DISCONNECT TERMINAL
	CONNECTION
	NO CONNECTION
	MOTOR SWITCH
	SPLICE
	MOTOR PROTECTOR
	CHASSIS (CABINET) GROUND
	SCREW TERMINAL
	HARNES CONNECTOR TERMINAL
	INSULATED TERMINAL
	TRANSIENT VOLT SUPPRESSOR

NOTE:  
DASHED LINES INDICATE CIRCUITS THAT ARE NOT IN ALL MODELS.

NOTES:  
1. CONNECT DRYER TO A 30 AMPERE INDIVIDUAL BRANCH CIRCUIT.  
2. CONTROL SHOWN IN OFF POSITION, DOOR SWITCH CLOSED & MOTOR AT REST.

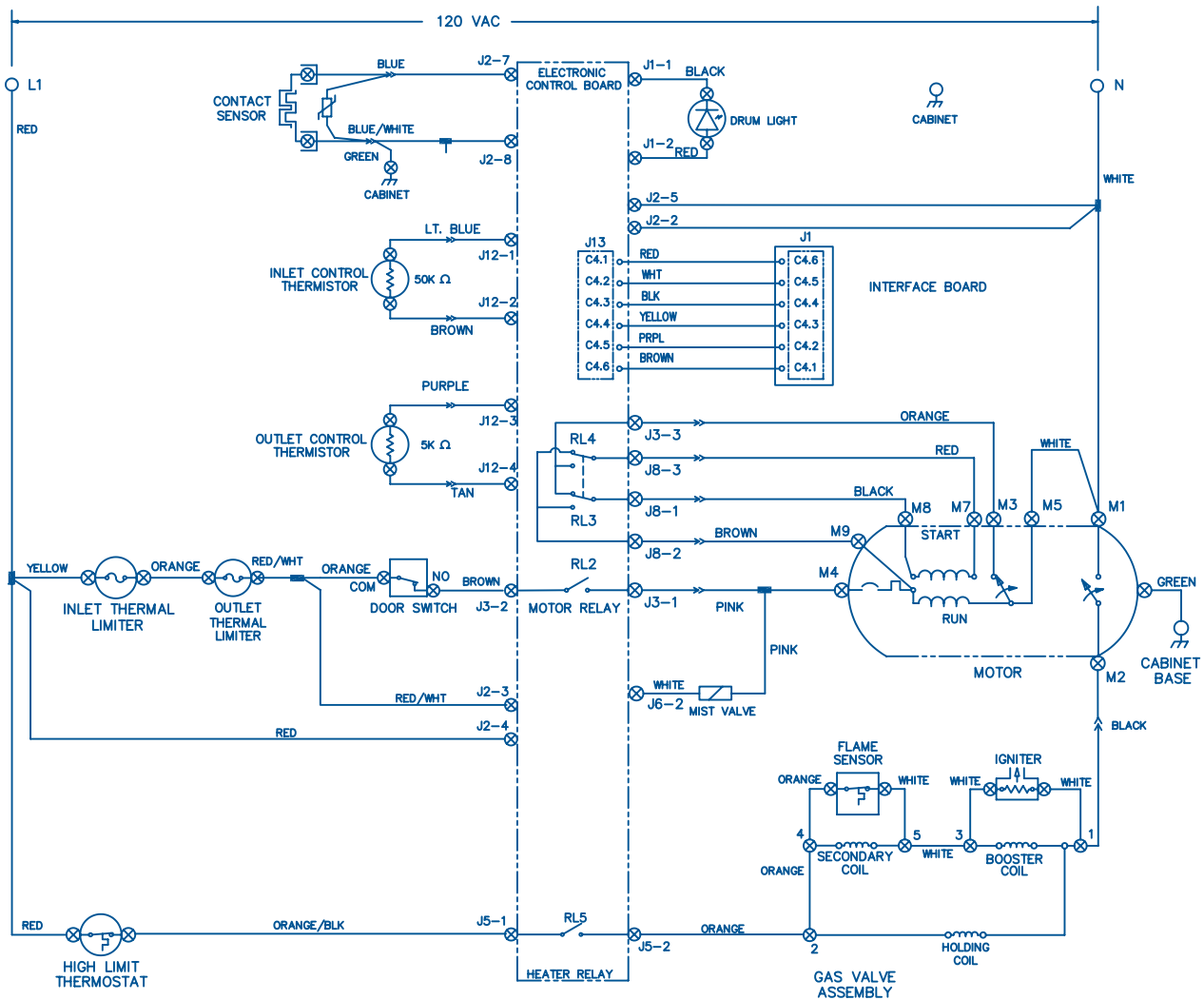
G

WIRING DIAGRAM PART NO. 134793400 D

**! CAUTION:**  
DISCONNECT ELECTRIC CURRENT BEFORE SERVICING.  
LABEL ALL WIRES PRIOR TO DISCONNECTION WHEN SERVICING CONTROLS.  
WIRING ERRORS CAN CAUSE IMPROPER AND DANGEROUS OPERATION.  
VERIFY PROPER OPERATION AFTER SERVICING.



### Model EWMGD65H



WIRING CODES	
	QUICK DISCONNECT TERMINAL
	CONNECTION
	NO CONNECTION
	MOTOR SWITCH
	SPLICE
	MOTOR PROTECTOR
	CHASSIS (CABINET) GROUND
	SCREW TERMINAL
	HARNES CONNECTOR TERMINAL
	INSULATED TERMINAL
	TRANSIENT VOLT SUPPRESSOR

NOTE:  
DASHED LINES INDICATE CIRCUITS THAT ARE NOT IN ALL MODELS.

NOTES:  
1. CONNECT DRYER TO A 30 AMPERE INDIVIDUAL BRANCH CIRCUIT.  
2. CONTROL SHOWN IN OFF POSITION, DOOR SWITCH CLOSED & MOTOR AT REST.

G

WIRING DIAGRAM PART NO.137033100 B

**! CAUTION:**  
DISCONNECT ELECTRIC CURRENT BEFORE SERVICING.  
LABEL ALL WIRES PRIOR TO DISCONNECTION WHEN SERVICING CONTROLS.  
WIRING ERRORS CAN CAUSE IMPROPER AND DANGEROUS OPERATION.  
VERIFY PROPER OPERATION AFTER SERVICING.

