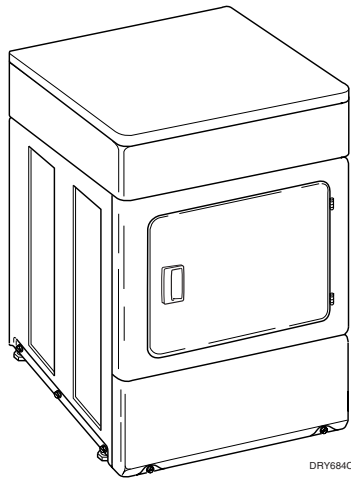
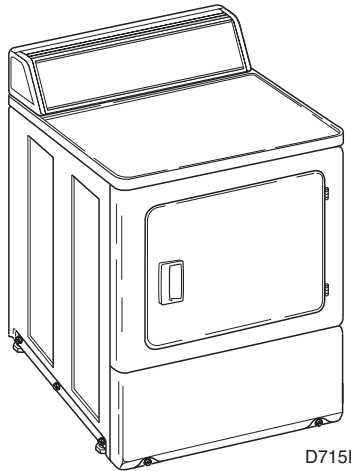


Homestyle Dryers

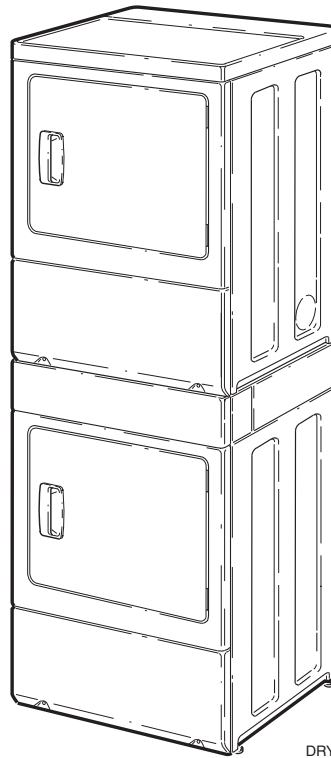
Refer to Page 3 for Model Numbers



DRY684C



D715I



DRY688C

Service

Table of Contents

Section 1 – Safety Information

Locating an Authorized Servicer	4
---------------------------------------	---

Section 2 – Introduction

Customer Service	5
Nameplate Location	5
Model Identification	6
How Your Dryer Works	7

Section 3 – Troubleshooting

1. Dryer Motor Does Not Run	9
2. Dryer Stops In Cycle; Quits After The First Few Loads; Has A Burning Smell; Cycles On Motor Thermal Protector	10
3. Dryer Motor Runs But Cylinder Does Not Turn	11
4. Dryer Motor Does Not Stop	11
5. Dryer Runs Only When Door is Open	12
6. Dryer Heating Assembly Does Not Heat or Burner Does Not Ignite	12
7. Igniter Does Not Glow (Gas Supply Sufficient) – Gas Dryer Models	13
8. Burner Ignites And Goes Out Repeatedly – Gas Dryer Models	13
9. Igniter Glows But Burner Does Not Ignite – Gas Dryer Models	13
10. Dryer Heater Assembly Or Burner Shuts Off Prematurely	14
11. Dryer Heater Assembly or Burner Repeatedly Cycles Off On Limit Thermostat	14
12. Dryer Heater Assembly or Burner Does Not Shut Off	15
13. Clothes Do Not Dry in Dryer	15
14. Timer Does Not Advance In Automatic Cycle	16
15. Clothes Are Too Hot When Removed From Dryer	17
16. Excessive Chattering Or Vibrating Noise in Dryer	17
17. Excessive Humming Or Whistling Noise in Dryer	17

Section 4 – Grounding

18. Ground Wires From Power Cord To Rear Bulkhead And From Rear Bulkhead To Control Cabinet – Check Wall Receptacle Polarity (Gas Dryer Models Only)	19
19. Ground Wire From Terminal Block To Rear Bulkhead and From Rear Bulkhead To Control Cabinet – (Electric Dryer Models Only)	20
20. Stacked Dryer Ground Connections	21
Front Control Ground Connections	21
Rear Control Ground Connections	21

Section 5 – Service Procedures

21. To Remove the Upper Dryer	23
22. Control Hood Assembly (Rear Control Dryers)	24
23. Control Hood End Caps (Rear Control Dryers)	24
24. Graphic Panel (Rear Control Dryers)	24
25. Timer (Rear Control Dryers)	24
26. Fabric Selector Switch (Rear Control Dryers)	25
27. Signal (Rear Control Dryers)	25
28. Extend Tumble Switch (Rear Control Dryers)	25
29. Control Panel and Controls (Front Control and Stacked Dryers)	27
30. Access Panel	30
31. Cabinet Top	30
32. Lint Filter	32
33. Loading Door	32
34. Inner and Outer Door Panels and Door Pull	33
35. Door Strike	33
36. Reversing Door Procedure (Doors Without Windows Only)	34
37. Door Seal	35
38. Front Panel and Panel Seal	36
39. Door Switch	36
40. Door Catch	36
41. Door Hinge	38
42. Hold-Down Clips and Locators	38
43. Burner System Components (Gas Models)	39

(continued)

© Copyright 2005, Alliance Laundry Systems LLC

All rights reserved. No part of the contents of this book may be reproduced or transmitted in any form or by any means without the expressed written consent of the publisher.

44. Burner Housing and Heat Shroud (Gas Models)	41
45. Limit Thermostat	41
46. Heater Assembly (Electric Models)	42
47. Thermostat	42
48. Air Duct	42
49. Motor and Exhaust Assembly	43
50. Front Bulkhead Assembly	47
51. Cylinder Belt	49
52. Cylinder Assembly	50
53. Rear Seal	51
54. Cylinder Rollers	53
55. Outlet Cover	53
56. Rear Bulkhead and Heater Duct	54
57. Terminal Block or Power Cord	56
58. Cabinet	58
59. Base	62

Section 6 – Adjustments

60. Leveling Legs	65
61. Burner Flame (Gas Models)	66

Section 7 – Test Procedures

62. Timer Contacts	67
63. Fabric Selector Switch	68
64. Drive Motor	69
65. Motor Switch	72
66. Burner System Operation	74
67. Electrical Circuit To Ignition System (Gas Models)	75
68. Gas Valve Coils Check (Gas Models)	75
69. Sensor Check (Gas Models)	76
70. Igniter Check (Gas Models)	76
71. Thermal Fuse (Electric Models)	77
72. Heater Assembly (Electric Models)	77
73. Cycling or Limit Thermostat	77
74. Door Switch	78

Section 8 – Internal Wiring of Dryer Motor

Switch	79
---------------------	----

Section 1

Safety Information

Throughout this manual and on machine decals, you will find precautionary statements (“CAUTION,” “WARNING” and “DANGER”) followed by specific instructions. These precautions are intended for the personal safety of the operator, user, servicer, and those maintaining the machine.

▲ DANGER

Danger indicates an imminently hazardous situation that, if not avoided, will cause severe personal injury or death.

▲ WARNING

Warning indicates a hazardous situation that, if not avoided, could cause severe personal injury or death.

▲ CAUTION

Caution indicates a hazardous situation that, if not avoided, may cause minor or moderate personal injury or property damage.

Additional precautionary statements (“IMPORTANT” and “NOTE”) are followed by specific instructions.

IMPORTANT

The word “IMPORTANT” is used to inform the reader of specific procedures where minor machine damage will occur if the procedure is not followed.

NOTE

The word “NOTE” is used to communicate installation, operation, maintenance or servicing information that is important but not hazard related.

In the interest of safety, some general precautions relating to the operation of this machine follow.



WARNING

- **Failure to install, maintain, and/or operate this machine according to the manufacturer’s instructions may result in conditions which can produce serious injury, death and/or property damage.**
- **Do not repair or replace any part of the machine or attempt any servicing unless specifically recommended or published in this Service Manual and that you understand and have the skills to carry out.**
- **Whenever ground wires are removed during servicing, these ground wires must be reconnected to ensure that the machine is properly grounded and to reduce the risk of fire, electric shock, serious injury, or death.**

W284



WARNING

To reduce the risk of electric shock, fire, explosion, serious injury or death:

- Disconnect electric power to the dryer(s) before servicing.
- Close gas shut-off valve to gas dryer(s) before servicing.
- Never start the dryer(s) with any guards/panels removed.
- Whenever ground wires are removed during servicing, these ground wires must be reconnected to ensure that the dryer is properly grounded.

W001R1



WARNING

Repairs that are made to your products by unqualified persons can result in hazards due to improper assembly or adjustments subjecting you or the inexperienced person making such repairs to the risk of serious injury, electrical shock or death.

W007



WARNING

If you or an unqualified person perform service on your machine, you must assume the responsibility for any personal injury or property damage which may result. The manufacturer will not be responsible for any injury or property damage arising from improper service and/or service procedures.

W286

NOTE: The WARNINGS and IMPORTANT INSTRUCTIONS appearing in this manual are not meant to cover all possible conditions and situations that may occur. Common sense, caution and care must be exercised when installing, maintaining or operating the machine.

Always contact your dealer, distributor, service agent or the manufacturer about any problems or conditions you do not understand.

Locating an Authorized Servicer

Alliance Laundry Systems is not responsible for personal injury or property damage resulting from improper service. Review all service information before beginning repairs.

Warranty service must be performed by an authorized technician, using authorized factory parts. If service is required after the warranty expires, Alliance Laundry Systems also recommends contacting an authorized technician and using authorized factory parts.

Section 2

Introduction

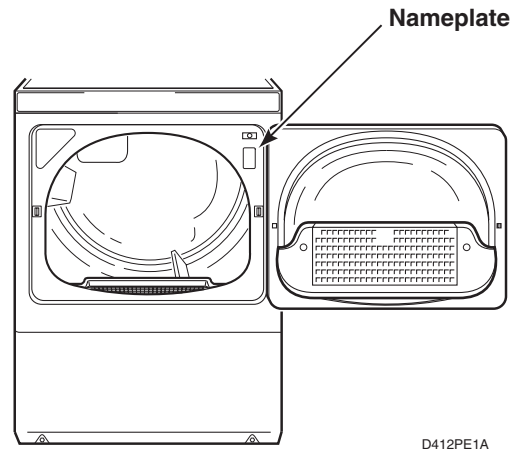
Customer Service

If literature or replacement parts are required, contact the source from whom the machine was purchased or contact Alliance Laundry Systems at (920) 748-3950 for the name and address of the nearest authorized parts distributor.

For technical assistance, call (920) 748-3121.

Nameplate Location

When calling or writing about your product, be sure to mention model and serial numbers. Model and serial numbers are located on nameplate(s) as shown.



Model Identification

Information in this manual is applicable to these dryers:

FES17A*F

FES17A*F1500

FEU17A*F

FEZ17A*F

FGS17A*F

FGU17A*F

FGZ17A*F

KES17A*F

KES17A*F1500

KGS17A*F

LES17A*F

LES17A*F1500

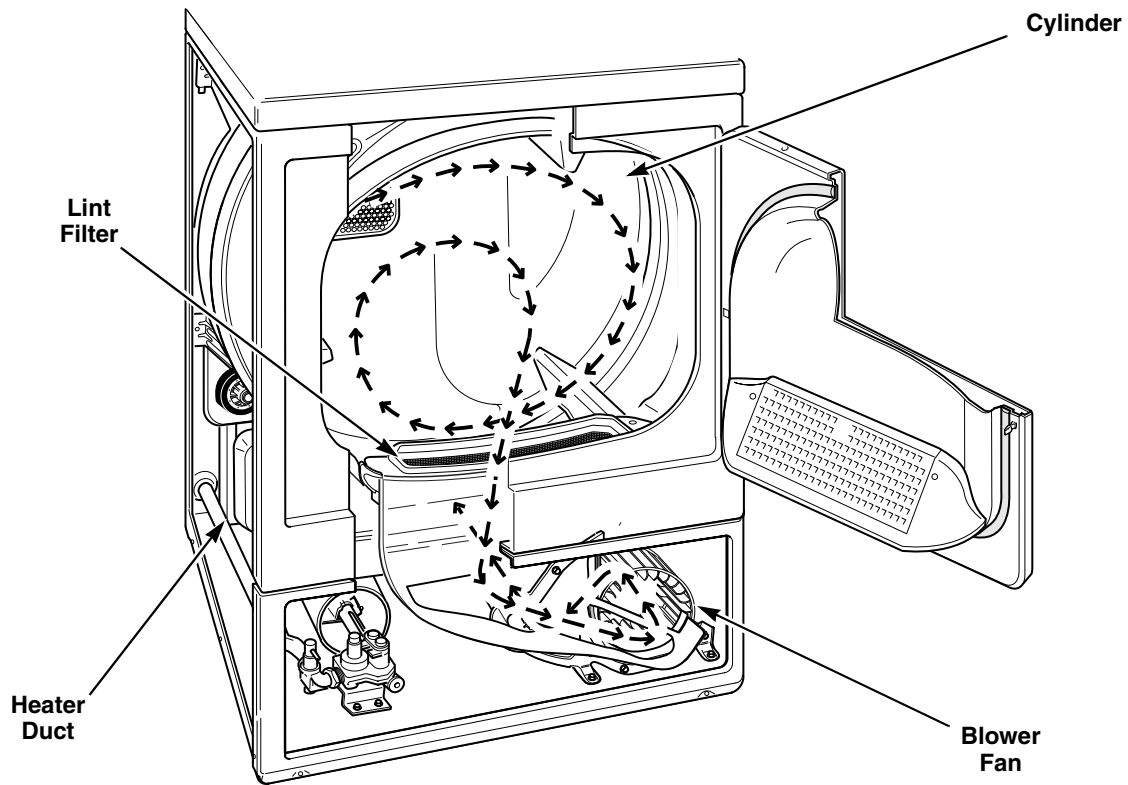
LES37A*F

LGS17A*F

LGS37A*F

* Add Letter To Designate Color. L - Almond Q - Bisque W - White

How Your Dryer Works



DRY1819S

The dryer uses heated air to dry loads of laundry. When the motor is started, the exhaust fan pulls room temperature air in through louvers at the rear of the dryer and over the heat source (burner flame for gas and heating element for electric). The heated air moves through the heater duct and into the cylinder, where it circulates through the wet load. The air then passes through the lint filter, air duct, and exhaust fan, where it is vented to the outdoors.

Section 3

Troubleshooting



WARNING

To reduce the risk of electric shock, fire, explosion, serious injury or death:

- Disconnect electric power to the dryer(s) before servicing.
- Close gas shut-off valve to gas dryer(s) before servicing.
- Never start the dryer(s) with any guards/panels removed.
- Whenever ground wires are removed during servicing, these ground wires must be reconnected to ensure that the dryer is properly grounded.

W001R1

IMPORTANT: Refer to wiring diagram for aid in testing dryer components.

1. DRYER MOTOR DOES NOT RUN

POSSIBLE CAUSE	TO CORRECT
Electrical power off, fuse blown, or power cord not plugged in.	<ul style="list-style-type: none"> • Check laundry room for blown or loose fuse(s), or open circuit breaker(s). The dryer itself does not have an electrical fuse. • Check both fuses for electric models.
Loading door not closed.	<ul style="list-style-type: none"> • Close door.
Inoperative door switch.	<ul style="list-style-type: none"> • Test switch and replace if inoperative.
Timer improperly set.	<ul style="list-style-type: none"> • Reset timer or try another cycle.
Inoperative timer.	<ul style="list-style-type: none"> • Test timer and replace if inoperative.
Motor starting functions inoperative. Does not start, or motor just hums.	<ul style="list-style-type: none"> • Refer to <i>Paragraph 64</i> to check motor switch and motor windings.
Motor is dead, will not run.	<ul style="list-style-type: none"> • Refer to <i>Paragraph 64</i> to check motor switch, motor windings, and main windings.
Motor overload protector has cycled.	<ul style="list-style-type: none"> • Wait two or three minutes for overload protector to reset. If protector cycles repeatedly, refer to <i>Paragraph 2</i>.
Motor centrifugal switch sticky or plugged with lint.	<ul style="list-style-type: none"> • Remove dust or lint and spray with a cleaner and lubricant.
Bind in motor bearing.	<ul style="list-style-type: none"> • Remove belt and determine if motor shaft will spin. • Replace motor if shaft is locked up.
Loose motor wire harness connection block.	<ul style="list-style-type: none"> • Firmly press connection block onto motor switch.
Broken, loose, or incorrect wiring.	<ul style="list-style-type: none"> • Refer to wiring diagram.
Power cord is miswired.	<ul style="list-style-type: none"> • Refer to wiring diagram for the correct wiring.



WARNING

To reduce the risk of electric shock, fire, explosion, serious injury or death:

- Disconnect electric power to the dryer(s) before servicing.
- Close gas shut-off valve to gas dryer(s) before servicing.
- Never start the dryer(s) with any guards/panels removed.
- Whenever ground wires are removed during servicing, these ground wires must be reconnected to ensure that the dryer is properly grounded.

W001R1

2. DRYER STOPS IN CYCLE; QUILTS AFTER THE FIRST FEW LOADS; HAS A BURNING SMELL; CYCLES ON MOTOR THERMAL PROTECTOR

POSSIBLE CAUSE	TO CORRECT
Incorrect Voltage.	<ul style="list-style-type: none"> • Refer to nameplate in door well for correct voltage. • Refer to <i>Installation Instructions</i> (supplied with dryer) for electrical requirements.
Clothes load too large.	<ul style="list-style-type: none"> • Remove part of load. A normal washer load is a normal dryer load. Maximum load: dryer cylinder one half full of wet clothes.
Clothes cylinder is binding.	<ul style="list-style-type: none"> • Check cylinder for binding and “out of round” condition. • Check front and rear bulkheads for warping. • Check support rollers for binding. • Check cylinder seals and glides for wear or damage. • Check for clothes lodged between cylinder baffle and bulkhead.
Broken, loose or incorrect wiring.	<ul style="list-style-type: none"> • Refer to wiring diagram.
Motor switch functions inoperative. Short in motor winding.	<ul style="list-style-type: none"> • Refer to <i>Paragraph 64</i> to check switch and windings.
Clothes item caught in fan.	<ul style="list-style-type: none"> • Check fan for obstruction.



WARNING

To reduce the risk of electric shock, fire, explosion, serious injury or death:

- Disconnect electric power to the dryer(s) before servicing.
- Close gas shut-off valve to gas dryer(s) before servicing.
- Never start the dryer(s) with any guards/panels removed.
- Whenever ground wires are removed during servicing, these ground wires must be reconnected to ensure that the dryer is properly grounded.

W001R1

3. DRYER MOTOR RUNS BUT CYLINDER DOES NOT TURN

POSSIBLE CAUSE	TO CORRECT
Motor drive pulley loose.	<ul style="list-style-type: none"> • Tighten pulley.
Belt not installed on pulley.	<ul style="list-style-type: none"> • Install belt. Refer to <i>Figure 25</i>.
Broken cylinder belt.	<ul style="list-style-type: none"> • Replace belt.
Clothes cylinder is binding.	<ul style="list-style-type: none"> • Check cylinder for binding and “out of round” condition. • Check front and rear bulkheads for warping. • Check cylinder rollers for binding. • Check cylinder seals and glides for wear or damage.
Broken, weak or disconnected idler lever spring.	<ul style="list-style-type: none"> • Replace or reconnect spring. Refer to <i>Figure 26</i>.
Belt routed on wrong side of idler lever.	<ul style="list-style-type: none"> • Reroute belt. Refer to <i>Figure 25</i>.
Oil on cylinder.	<ul style="list-style-type: none"> • Wipe oil from cylinder.
Belt is “inside out.”	<ul style="list-style-type: none"> • Reinstall belt with ribbed surface against cylinder.
Idler lever is binding.	<ul style="list-style-type: none"> • Add grease between idler lever and motor mount. • Replace idler lever and bolt, if needed.
Dryer is overloaded.	<ul style="list-style-type: none"> • Remove some laundry from dryer.
Wrong motor.	<ul style="list-style-type: none"> • Refer to parts manual for correct motor part number.
Wrong belt used on dryer.	<ul style="list-style-type: none"> • Check belt part number against correct part number in the parts manual. • Replace belt if needed.
Bent idler lever.	<ul style="list-style-type: none"> • Replace idler lever.

4. DRYER MOTOR DOES NOT STOP

POSSIBLE CAUSE	TO CORRECT
Incorrect wiring to motor switch.	<ul style="list-style-type: none"> • Refer to wiring diagram.
Motor centrifugal switch sticky or plugged with lint.	<ul style="list-style-type: none"> • Remove dust or lint and spray with a cleaner and lubricant.
Inoperative door switch.	<ul style="list-style-type: none"> • Test switch and replace if inoperative.
Inoperative timer.	<ul style="list-style-type: none"> • Test timer and replace if inoperative.



WARNING

To reduce the risk of electric shock, fire, explosion, serious injury or death:

- Disconnect electric power to the dryer(s) before servicing.
- Close gas shut-off valve to gas dryer(s) before servicing.
- Never start the dryer(s) with any guards/panels removed.
- Whenever ground wires are removed during servicing, these ground wires must be reconnected to ensure that the dryer is properly grounded.

W001R1

5. DRYER RUNS ONLY WHEN DOOR IS OPEN

POSSIBLE CAUSE	TO CORRECT
Door switch miswired.	<ul style="list-style-type: none"> • Rewire door switch. Refer to appropriate wiring diagram.

6. DRYER HEATING ASSEMBLY DOES NOT HEAT OR BURNER DOES NOT IGNITE

POSSIBLE CAUSE	TO CORRECT
Improper or inadequate exhaust system.	<ul style="list-style-type: none"> • Refer to <i>Installation Instructions</i> (supplied with dryer) for exhaust requirements.
Use of plastic or thin foil exhaust duct.	<ul style="list-style-type: none"> • Replace with rigid or semi-rigid metal exhaust duct.
Blown house fuse or tripped circuit breaker.	<ul style="list-style-type: none"> • Check fuses or circuit breakers.
Fabric selector switch set at NO HEAT, or inoperative.	<ul style="list-style-type: none"> • Reset or test switch and replace if inoperative.
Timer improperly set (set in a cool-down period, or a no heat cycle).	<ul style="list-style-type: none"> • Reset timer. Try another cycle.
Inoperative limit thermostat.	<ul style="list-style-type: none"> • Test thermostat and replace if inoperative.
Inoperative drive motor switch.	<ul style="list-style-type: none"> • Test switch and replace if inoperative.
Electric Models: Inoperative heater assembly.	<ul style="list-style-type: none"> • Test heater assembly and replace if cold Ohms do not read between 9 and 10.5 Ohms.
Electric Models: Inoperative thermal fuse.	<ul style="list-style-type: none"> • Test thermal fuse and replace if inoperative.
Gas Models: Insufficient gas supply.	<ul style="list-style-type: none"> • Check gas shut-off valve in dryer and main gas line valve. • Open partially closed gas shut-off valve, or correct low gas pressure.
Gas Models: Inoperative gas valve coils.	<ul style="list-style-type: none"> • Test coils and replace if inoperative. Refer to <i>Paragraph 68</i>.
Gas Models: Inoperative sensor.	<ul style="list-style-type: none"> • Test sensor and replace if inoperative. Refer to <i>Paragraph 43, step e</i>.
Gas Models: Inoperative igniter.	<ul style="list-style-type: none"> • Test igniter and replace if inoperative. Refer to <i>Paragraph 70</i>.
Gas Models: Harness not properly connected to gas controls.	<ul style="list-style-type: none"> • Check harness connections to gas valve coils, sensor and main harness. • Reconnect as required.
Gas Models: Restricted gas flow in gas orifice.	<ul style="list-style-type: none"> • Clean out gas orifice.
Inoperative cycling thermostat.	<ul style="list-style-type: none"> • Test thermostat and replace if inoperative.
Inoperative timer.	<ul style="list-style-type: none"> • Test timer and replace if inoperative.
Broken, loose, or incorrect wiring.	<ul style="list-style-type: none"> • Refer to wiring diagram.



WARNING

To reduce the risk of electric shock, fire, explosion, serious injury or death:

- Disconnect electric power to the dryer(s) before servicing.
- Close gas shut-off valve to gas dryer(s) before servicing.
- Never start the dryer(s) with any guards/panels removed.
- Whenever ground wires are removed during servicing, these ground wires must be reconnected to ensure that the dryer is properly grounded.

W001R1

7. IGNITER DOES NOT GLOW (Gas Supply Sufficient) – GAS DRYER MODELS

POSSIBLE CAUSE	TO CORRECT
No power to power leads on valve.	<ul style="list-style-type: none"> • Check thermostats, motor switch, and wiring.
Sensor failed with contacts open.	<ul style="list-style-type: none"> • Replace sensor.
Igniter broken or open.	<ul style="list-style-type: none"> • Replace igniter.

8. BURNER IGNITES AND GOES OUT REPEATEDLY – GAS DRYER MODELS

POSSIBLE CAUSE	TO CORRECT
Improper or inadequate exhaust system. Weather hood flapper restricted.	<ul style="list-style-type: none"> • Refer to <i>Installation Instructions</i> (supplied with dryer) for exhaust requirements.
Burner heat not holding sensor contacts open.	<ul style="list-style-type: none"> • Replace sensor, or correct gas supply problem.
Insufficient gas supply.	<ul style="list-style-type: none"> • Check gas supply and pressure. • Make sure gas shut-off valve is turned on.
Cracked igniter.	<ul style="list-style-type: none"> • Replace igniter and bracket.
Inoperative or intermittent gas valve coils.	<ul style="list-style-type: none"> • Check coils and replace appropriate coils. Refer to <i>Paragraph 68</i>.

9. IGNITER GLOWS BUT BURNER DOES NOT IGNITE – GAS DRYER MODELS

POSSIBLE CAUSE	TO CORRECT
Sensor failed in closed position.	<ul style="list-style-type: none"> • Replace sensor.
Open secondary coil or holding coil.	<ul style="list-style-type: none"> • Replace coils. Refer to <i>Paragraph 68</i>.
Insufficient gas supply.	<ul style="list-style-type: none"> • Check gas supply and pressure. • Make sure gas shut-off valve is turned on.
Igniter and bracket installed improperly on burner tube assembly.	<ul style="list-style-type: none"> • Loosen screw and properly position igniter and bracket on burner tube assembly.
Sensor installed improperly on burner housing.	<ul style="list-style-type: none"> • Loosen screw and properly position the sensor on the burner housing.



WARNING

To reduce the risk of electric shock, fire, explosion, serious injury or death:

- **Disconnect electric power to the dryer(s) before servicing.**
- **Close gas shut-off valve to gas dryer(s) before servicing.**
- **Never start the dryer(s) with any guards/panels removed.**
- **Whenever ground wires are removed during servicing, these ground wires must be reconnected to ensure that the dryer is properly grounded.**

W001R1

10. DRYER HEATER ASSEMBLY OR BURNER SHUTS OFF PREMATURELY

POSSIBLE CAUSE	TO CORRECT
Improper or inadequate exhaust system. Weather hood flapper restricted.	<ul style="list-style-type: none"> • Refer to <i>Installation Instructions</i> (supplied with dryer) for exhaust requirements.
Gas Models: Insufficient gas supply.	<ul style="list-style-type: none"> • Check main gas line shut-off valve. • Open partially closed gas shut-off valve, or correct low pressure.
Gas Models: Dryer not properly equipped for type of gas used.	<ul style="list-style-type: none"> • Refer to “Gas Burner Conversion Procedures” supplied in gas burner conversion kit.
Gas Models: Improperly adjusted burner flame.	<ul style="list-style-type: none"> • Adjust flame. Refer to <i>Paragraph 61</i>.
Cycling off on limit thermostat.	<ul style="list-style-type: none"> • Momentarily connect a jumper wire across thermostat terminals. If heater element heats or burner ignites when jumper wire is connected, refer to <i>Paragraph 11</i>.
Gas models: Sensor contact closing	<ul style="list-style-type: none"> • Replace sensor (<i>Paragraph 43, step e</i>) or adjust burner flame. Refer to <i>Paragraph 61</i>.
Inoperative cycling thermostat.	<ul style="list-style-type: none"> • Test thermostat and replace if inoperative.
Inoperative timer.	<ul style="list-style-type: none"> • Test timer and replace if inoperative.
Broken, loose, or incorrect wiring.	<ul style="list-style-type: none"> • Refer to wiring diagram.

11. DRYER HEATER ASSEMBLY OR BURNER REPEATEDLY CYCLES OFF ON LIMIT THERMOSTAT

POSSIBLE CAUSE	TO CORRECT
External exhaust system longer or providing greater restriction than recommended.	<ul style="list-style-type: none"> • Refer to <i>Installation Instructions</i> (supplied with dryer) for exhaust system requirements.
Use of plastic or thin foil exhaust duct.	<ul style="list-style-type: none"> • Replace with rigid or semi-rigid metal exhaust duct.
Clogged lint filter.	<ul style="list-style-type: none"> • Clean lint filter.
Lint in internal dryer ductwork.	<ul style="list-style-type: none"> • Disassemble dryer ductwork and clean.
Lint or other obstruction in external exhaust system.	<ul style="list-style-type: none"> • Disassemble and clean exhaust system.
Hinged damper on exhaust system weather hood not free to open.	<ul style="list-style-type: none"> • Free hinged damper or replace weather hood.
Limit thermostat cycling at too low a temperature.	<ul style="list-style-type: none"> • Replace thermostat. Refer to <i>Paragraph 45</i>.
Air leak around loading door. (Door not sealing due to damaged seal or inoperative door catch.)	<ul style="list-style-type: none"> • Replace seal or catch.
Air leak at blower seal.	<ul style="list-style-type: none"> • Check and replace seal if necessary.
Air leak at cylinder seal(s).	<ul style="list-style-type: none"> • Check and replace seal(s) if necessary.



WARNING

To reduce the risk of electric shock, fire, explosion, serious injury or death:

- Disconnect electric power to the dryer(s) before servicing.
- Close gas shut-off valve to gas dryer(s) before servicing.
- Never start the dryer(s) with any guards/panels removed.
- Whenever ground wires are removed during servicing, these ground wires must be reconnected to ensure that the dryer is properly grounded.

W001R1

12. DRYER HEATER ASSEMBLY OR BURNER DOES NOT SHUT OFF

POSSIBLE CAUSE	TO CORRECT
Improper motor switch. (Control must be in a heat setting.)	<ul style="list-style-type: none"> • Test switch and replace if inoperative.
Motor does not stop.	<ul style="list-style-type: none"> • Refer to <i>Paragraph 4</i>.
Incorrect wiring.	<ul style="list-style-type: none"> • Refer to wiring diagram.
Heater assembly shorted.	<ul style="list-style-type: none"> • Remove heater assembly and check for short.

13. CLOTHES DO NOT DRY IN DRYER

POSSIBLE CAUSE	TO CORRECT
Heater assembly does not heat or burner does not ignite.	<ul style="list-style-type: none"> • Refer to <i>Paragraph 6</i>.
Too much water in articles being dried.	<ul style="list-style-type: none"> • Remove excess water.
Laundry load too large.	<ul style="list-style-type: none"> • Remove part of load. A normal washer load is a normal dryer load. Maximum load: Dryer cylinder one half full of wet clothes.
Laundry load too small.	<ul style="list-style-type: none"> • Add one or two bath towels to load.
Excessive lint on lint filter.	<ul style="list-style-type: none"> • Clean lint filter.
Fabric selector switch or timer set on NO HEAT or inoperative.	<ul style="list-style-type: none"> • Test and replace switch or timer if inoperative.
Improper or inadequate exhaust system.	<ul style="list-style-type: none"> • Refer to <i>Installation Instructions</i> (supplied with dryer) for exhaust requirements.
Heater assembly or burner shuts off prematurely.	<ul style="list-style-type: none"> • Refer to <i>Paragraph 10</i>.
Gas Models: Gas line pressure too high or too low.	<ul style="list-style-type: none"> • If Natural Gas line pressure to dryer exceeds 8 inch water column pressure, or is lower than 5 inch water column, ask Gas Company to correct.
Improper belt installation (Low RPM).	<ul style="list-style-type: none"> • Check for proper installation. Refer to <i>Figure 25</i>.



WARNING

To reduce the risk of electric shock, fire, explosion, serious injury or death:

- Disconnect electric power to the dryer(s) before servicing.
- Close gas shut-off valve to gas dryer(s) before servicing.
- Never start the dryer(s) with any guards/panels removed.
- Whenever ground wires are removed during servicing, these ground wires must be reconnected to ensure that the dryer is properly grounded.

W001R1

14. TIMER DOES NOT ADVANCE IN AUTOMATIC CYCLE

POSSIBLE CAUSE	TO CORRECT
Inoperative cycling thermostat.	<ul style="list-style-type: none"> • Test thermostat and replace if inoperative.
Inoperative resistor (Electric Models).	<ul style="list-style-type: none"> • Test resistor and replace if inoperative.
Heater assembly does not heat or burner does not ignite.	<ul style="list-style-type: none"> • Refer to <i>Paragraph 6</i>.
Heater assembly or burner cycles off prematurely.	<ul style="list-style-type: none"> • Refer to <i>Paragraph 10</i>.
Improper or inadequate exhaust system.	<ul style="list-style-type: none"> • Refer to <i>Installation Instructions</i> (supplied with dryer) for exhaust requirements.
Drying large load.	<ul style="list-style-type: none"> • Timer will not advance until the load is almost dry.
Broken, loose or incorrect wiring.	<ul style="list-style-type: none"> • Refer to wiring diagram.
Timer motor is inoperative.	<ul style="list-style-type: none"> • Select a drying cycle and activate start switch. • Rotate timer knob until signal sounds. • Release timer knob. • Signal should stop within ten minutes. If not, replace timer.
Inoperative seals (air leaks).	<ul style="list-style-type: none"> • Check and replace any inoperative seals in the following areas: <ol style="list-style-type: none"> 1. Seal between loading door and front panel. 2. Seal between front panel and front bulkhead. 3. Seal between blower cover and air duct. 4. Seal between cylinder and front or rear bulkhead. 5. Gap between air duct and filter mounting.



WARNING

To reduce the risk of electric shock, fire, explosion, serious injury or death:

- Disconnect electric power to the dryer(s) before servicing.
- Close gas shut-off valve to gas dryer(s) before servicing.
- Never start the dryer(s) with any guards/panels removed.
- Whenever ground wires are removed during servicing, these ground wires must be reconnected to ensure that the dryer is properly grounded.

W001R1

15. CLOTHES ARE TOO HOT WHEN REMOVED FROM DRYER

POSSIBLE CAUSE	TO CORRECT
Improper or inadequate exhaust system.	<ul style="list-style-type: none"> • Refer to <i>Installation Instructions</i> (supplied with dryer) for exhaust requirements.
Clothes are removed from dryer before cycle has completed.	<ul style="list-style-type: none"> • Allow the dryer to complete the cycle through the cool-down to the OFF position.
Inoperative cycling thermostat.	<ul style="list-style-type: none"> • Test cycling thermostat and replace if inoperative.
Inoperative timer (not allowing cool-down).	<ul style="list-style-type: none"> • Test timer and replace if inoperative.
Inoperative seals (air leaks).	<ul style="list-style-type: none"> • Check and replace any inoperative seals in the following areas: <ol style="list-style-type: none"> 1. Seal between loading door and front panel. 2. Seal between front panel and front bulkhead. 3. Seal between blower cover and air duct. 4. Seal between cylinder and front or rear bulkhead. 5. Gap between air duct and filter mounting.

16. EXCESSIVE CHATTERING OR VIBRATING NOISE IN DRYER

POSSIBLE CAUSE	TO CORRECT
Inoperative idler spring.	<ul style="list-style-type: none"> • Remove lower access panel. Set dryer to normal cycle and allow it to heat to operating temperature. If the belt vibrates as it rotates around the cylinder, the idler lever is making the noise. Replace the idler spring. Refer to <i>Figure 26</i>.

17. EXCESSIVE HUMMING OR WHISTLING NOISE IN DRYER

POSSIBLE CAUSE	TO CORRECT
Inoperative blower housing.	<ul style="list-style-type: none"> • If the abnormal operating noise is loudest at the vent exit, the problem is originating from the blower housing. Replace the current housing and cover. Refer to <i>Figure 27</i>.

Section 4 Grounding



WARNING

To reduce the risk of electric shock, fire, explosion, serious injury or death:

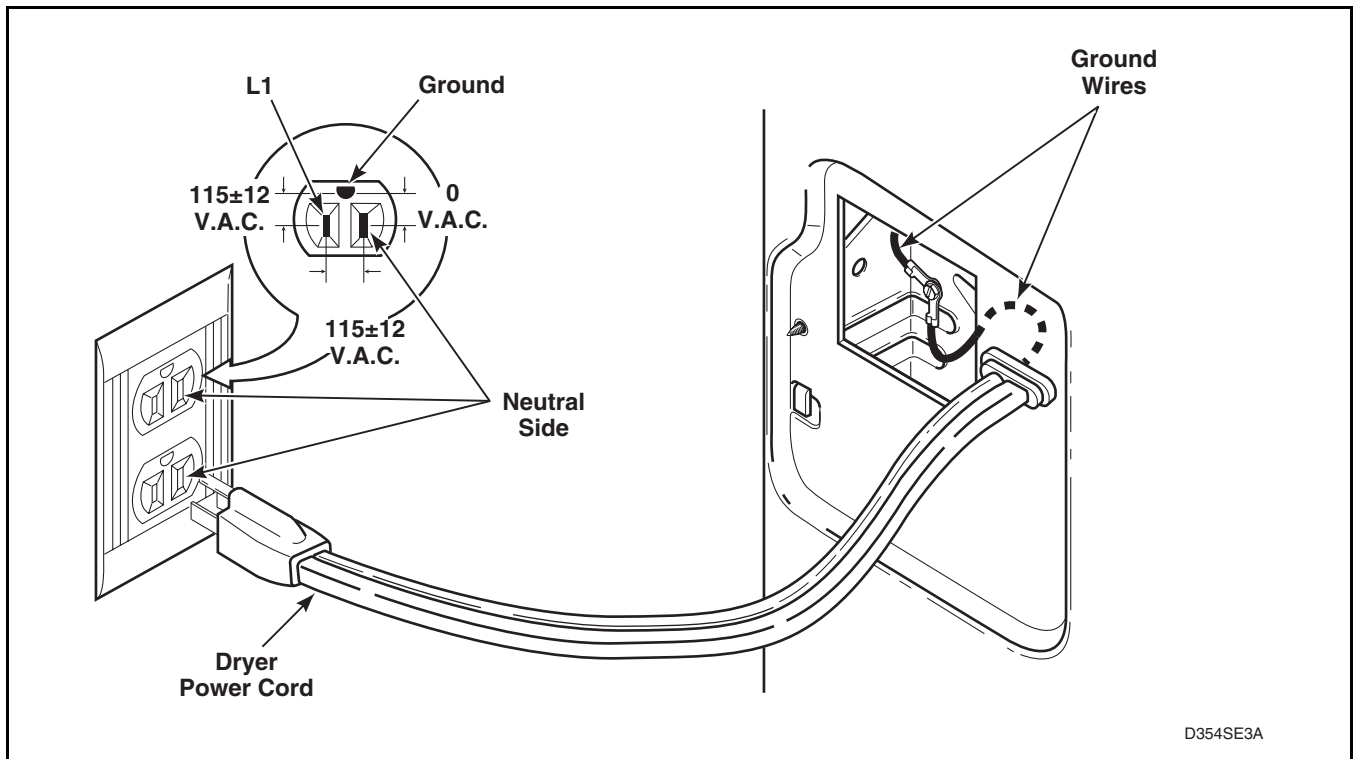
- Disconnect electric power to the dryer(s) before servicing.
- Close gas shut-off valve to gas dryer(s) before servicing.
- Never start the dryer(s) with any guards/panels removed.
- Whenever ground wires are removed during servicing, these ground wires must be reconnected to ensure that the dryer is properly grounded.

W001R1

18. GROUND WIRES FROM POWER CORD TO REAR BULKHEAD AND FROM REAR BULKHEAD TO CONTROL CABINET

Check Wall Receptacle Polarity (Gas Dryer Models Only)

Refer to *Figure 1*.



D354SE3A

Figure 1



WARNING

To reduce the risk of electric shock, fire, explosion, serious injury or death:

- Disconnect electric power to the dryer(s) before servicing.
- Close gas shut-off valve to gas dryer(s) before servicing.
- Never start the dryer(s) with any guards/panels removed.
- Whenever ground wires are removed during servicing, these ground wires must be reconnected to ensure that the dryer is properly grounded.

W001R1

19. GROUND WIRE FROM TERMINAL BLOCK TO REAR BULKHEAD AND FROM REAR BULKHEAD TO CONTROL CABINET

(Electric Dryer Models Only)

Refer to *Figure 2*.

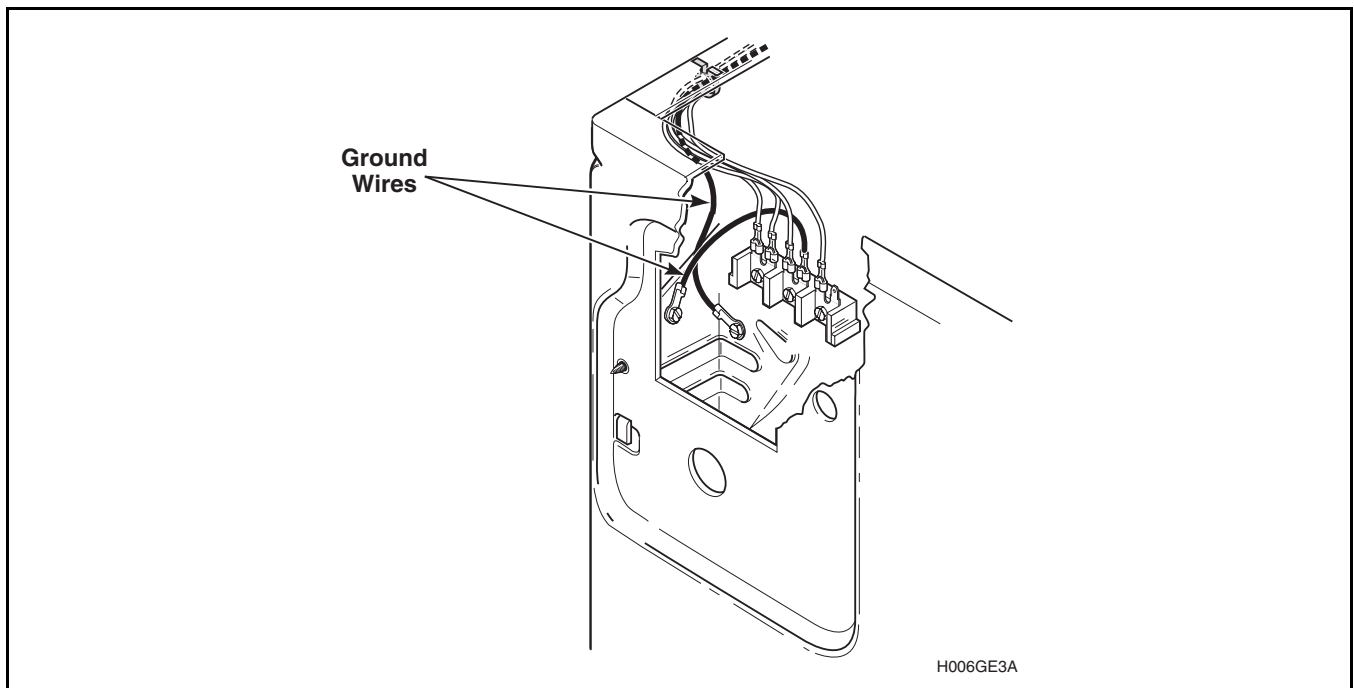


Figure 2



WARNING

To reduce the risk of electric shock, fire, explosion, serious injury or death:

- Disconnect electric power to the dryer(s) before servicing.
- Close gas shut-off valve to gas dryer(s) before servicing.
- Never start the dryer(s) with any guards/panels removed.
- Whenever ground wires are removed during servicing, these ground wires must be reconnected to ensure that the dryer is properly grounded.

W001R1

20. STACKED DRYER GROUND CONNECTIONS

Refer to *Figure 3*.

- ① Terminal Block and Rear Bulkhead to Control Cabinet
- ② Motor Terminal Block to Base
- ③ Motor to Base
- ④ Ground to Control Panel Assembly
- ⑤ Terminal Block and Rear Bulkhead to Control Cabinet to Control Panel

FRONT CONTROL GROUND CONNECTIONS

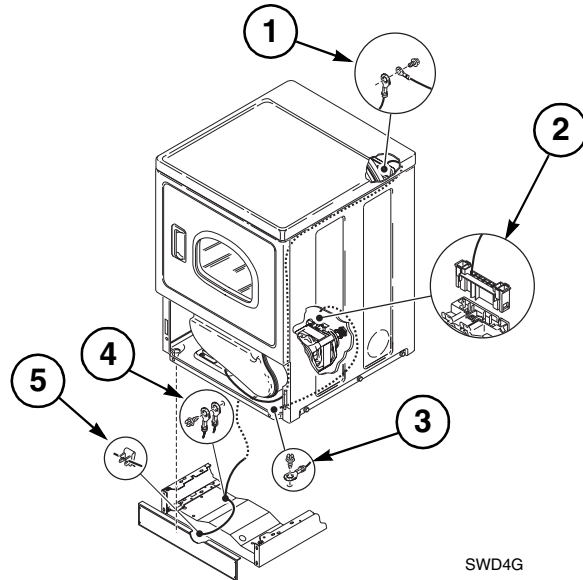
Refer to *Figure 3*.

- ① Terminal Block and Rear Bulkhead to Control Cabinet
- ② Motor Terminal Block to Base
- ③ Motor to Base

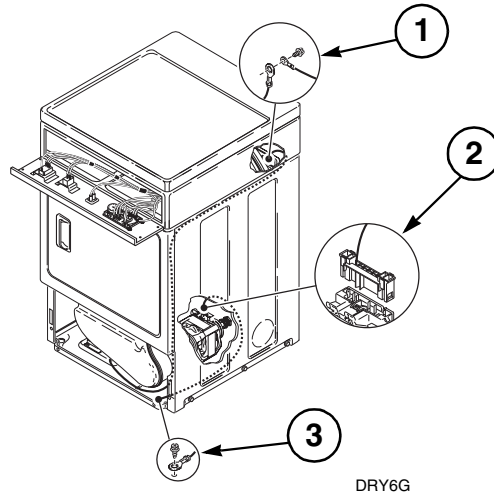
REAR CONTROL GROUND CONNECTIONS

Refer to *Figure 3*.

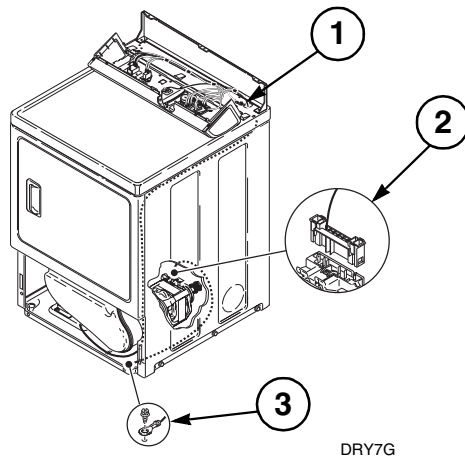
- ① Terminal Block and Rear Bulkhead to Control Panel
- ② Motor Terminal Block to Base
- ③ Motor to Base



Stacked Dryer



Front Control Dryer



Rear Control Dryer

Figure 3

Section 5

Service Procedures



WARNING

To reduce the risk of electric shock, fire, explosion, serious injury or death:

- Disconnect electric power to the dryer(s) before servicing.
- Close gas shut-off valve to gas dryer(s) before servicing.
- Never start the dryer(s) with any guards/panels removed.
- Whenever ground wires are removed during servicing, these ground wires must be reconnected to ensure that the dryer is properly grounded.

W001R1

IMPORTANT: When reference is made to directions (right or left) in this manual, it is from operator's position facing front of machine.

21. TO REMOVE THE UPPER DRYER

Refer to *Figure 4*.

IMPORTANT: Two people are required to perform this task.

- Remove all electrical, gas and venting connections to upper dryer.
- Remove front access panel on upper dryer.
- Remove two 7/16 screws attaching upper dryer to lower dryer.
- Remove control panel and disconnect molex plug.
- Slide upper dryer forward, until leveling legs slide into notch on security cabinet.
- Lift upper dryer and place on level surface.

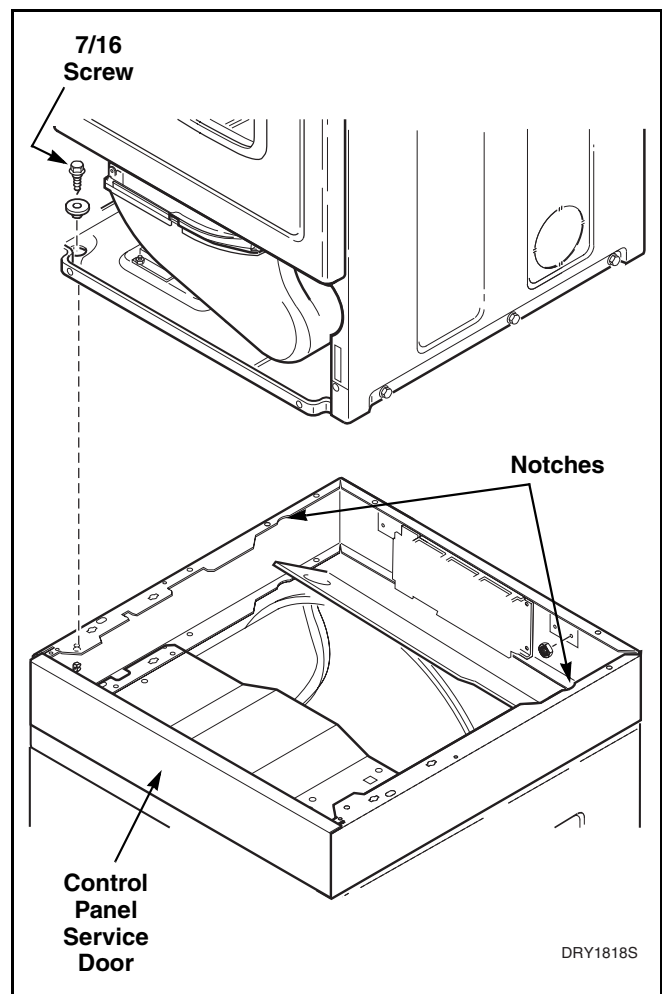


Figure 4



WARNING

To reduce the risk of electric shock, fire, explosion, serious injury or death:

- **Disconnect electric power to the dryer(s) before servicing.**
- **Close gas shut-off valve to gas dryer(s) before servicing.**
- **Never start the dryer(s) with any guards/panels removed.**
- **Whenever ground wires are removed during servicing, these ground wires must be reconnected to ensure that the dryer is properly grounded.**

W001R1

22. CONTROL HOOD ASSEMBLY (Rear Control Dryers)

Refer to *Figure 5*.

- a. Remove three screws holding control hood assembly to control hood rear panel.
- b. Rotate assembly forward to access inner wiring.
- c. Disconnect wiring from inner components and carefully remove components from control hood assembly.

NOTE: Refer to wiring diagram when rewiring component parts.

- d. Rotate control hood assembly forward and lift to free assembly from hold-down clips.

23. CONTROL HOOD END CAPS (Rear Control Dryers)

Refer to *Figure 5*.

- a. Remove three screws holding control hood assembly to control hood rear panel.
- b. Rotate assembly forward to access inner wiring.
- c. Disconnect wiring from inner components and carefully remove components from control hood assembly.

NOTE: Refer to wiring diagram when rewiring component parts.

- d. Remove two screws holding end cap to end of support control panel.
- e. Carefully pry end cap from support control panel.

NOTE: To re-assemble, reverse the steps.

24. GRAPHIC PANEL (Rear Control Dryers)

Refer to *Figure 5*.

- a. Carefully pull switch knobs and timer knob off shafts.
- b. Remove three screws holding control hood assembly to control hood rear panel.
- c. Rotate assembly forward to access inner wiring.
- d. Disconnect wiring from inner components and carefully remove components from control hood assembly.

NOTE: Refer to wiring diagram when rewiring component parts.

- e. Remove three screws holding top cover to support control panel. Rotate top cover forward.
- f. Remove screws holding end caps to support control panel and pry off caps.
- g. With graphic panel facing forward, rotate control hood assembly forward to access tabs holding graphic panel.
- h. Bend graphic panel tabs straight out toward rear of hood and pull panel away from support control panel.

NOTE: To re-assemble, reverse the steps.

25. TIMER (Rear Control Dryers)

Refer to *Figure 5*.

- a. Pull timer knob off timer shaft.
- b. Remove the three screws holding the control assembly to the control hood rear panel.
- c. Rotate assembly forward to access inner wiring.
- d. Disconnect wiring from timer and carefully remove timer from control hood assembly.

NOTE: Refer to wiring diagram when rewiring component parts.

- e. Remove two screws holding timer to support control panel.



WARNING

To reduce the risk of electric shock, fire, explosion, serious injury or death:

- Disconnect electric power to the dryer(s) before servicing.
- Close gas shut-off valve to gas dryer(s) before servicing.
- Never start the dryer(s) with any guards/panels removed.
- Whenever ground wires are removed during servicing, these ground wires must be reconnected to ensure that the dryer is properly grounded.

W001R1

26. FABRIC SELECTOR SWITCH (Rear Control Dryers)

Refer to *Figure 5*.

- a. Pull fabric selector switch knob off shaft.
- b. Remove three screws holding control hood assembly to control hood rear panel.
- c. Rotate assembly forward to access inner wiring.
- d. Disconnect wiring from switch and carefully remove switch from control hood assembly.

NOTE: Refer to wiring diagram when rewiring component parts.

- e. Carefully lift locking tab holding fabric selector switch to support control panel.
- f. With locking tab lifted, rotate fabric selector switch counterclockwise 1/4 turn and remove switch out rear of support control panel.

27. SIGNAL (Rear Control Dryers)

Refer to *Figure 5*.

- a. Carefully pull signal knob off shaft.
- b. Remove three screws holding control hood assembly to control hood rear panel.
- c. Rotate assembly forward to access inner wiring.
- d. Disconnect wires to the signal.

NOTE: Refer to wiring diagram when rewiring component parts.

- e. With locking tab lifted, rotate signal counterclockwise 1/4 turn and remove signal out rear of support control panel.

28. EXTEND TUMBLE SWITCH (Rear Control Dryers)

Refer to *Figure 5*.

- a. Remove three screws holding control hood assembly to control hood rear panel.
- b. Rotate assembly forward to access inner wiring.
- c. Disconnect wires from switch.

NOTE: Refer to wiring diagram when rewiring component parts.

- d. Remove switch through front of panel.

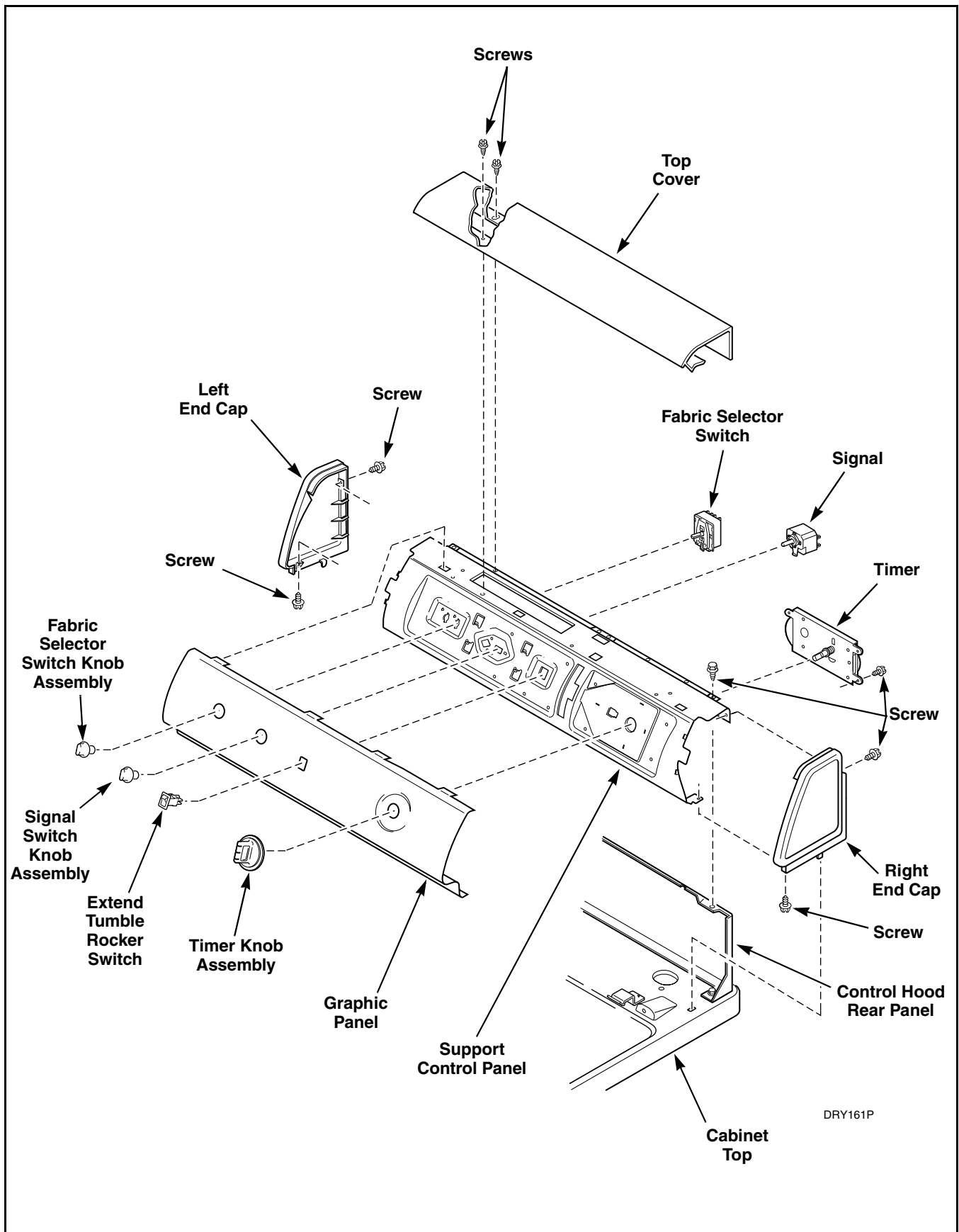


Figure 5

GRAPHIC PANEL, CONTROL HOOD AND CONTROLS – REAR CONTROL DRYERS



WARNING

To reduce the risk of electric shock, fire, explosion, serious injury or death:

- Disconnect electric power to the dryer(s) before servicing.
- Close gas shut-off valve to gas dryer(s) before servicing.
- Never start the dryer(s) with any guards/panels removed.
- Whenever ground wires are removed during servicing, these ground wires must be reconnected to ensure that the dryer is properly grounded.

W001R1

29. CONTROL PANEL AND CONTROLS (Front Control and Stacked Dryers)

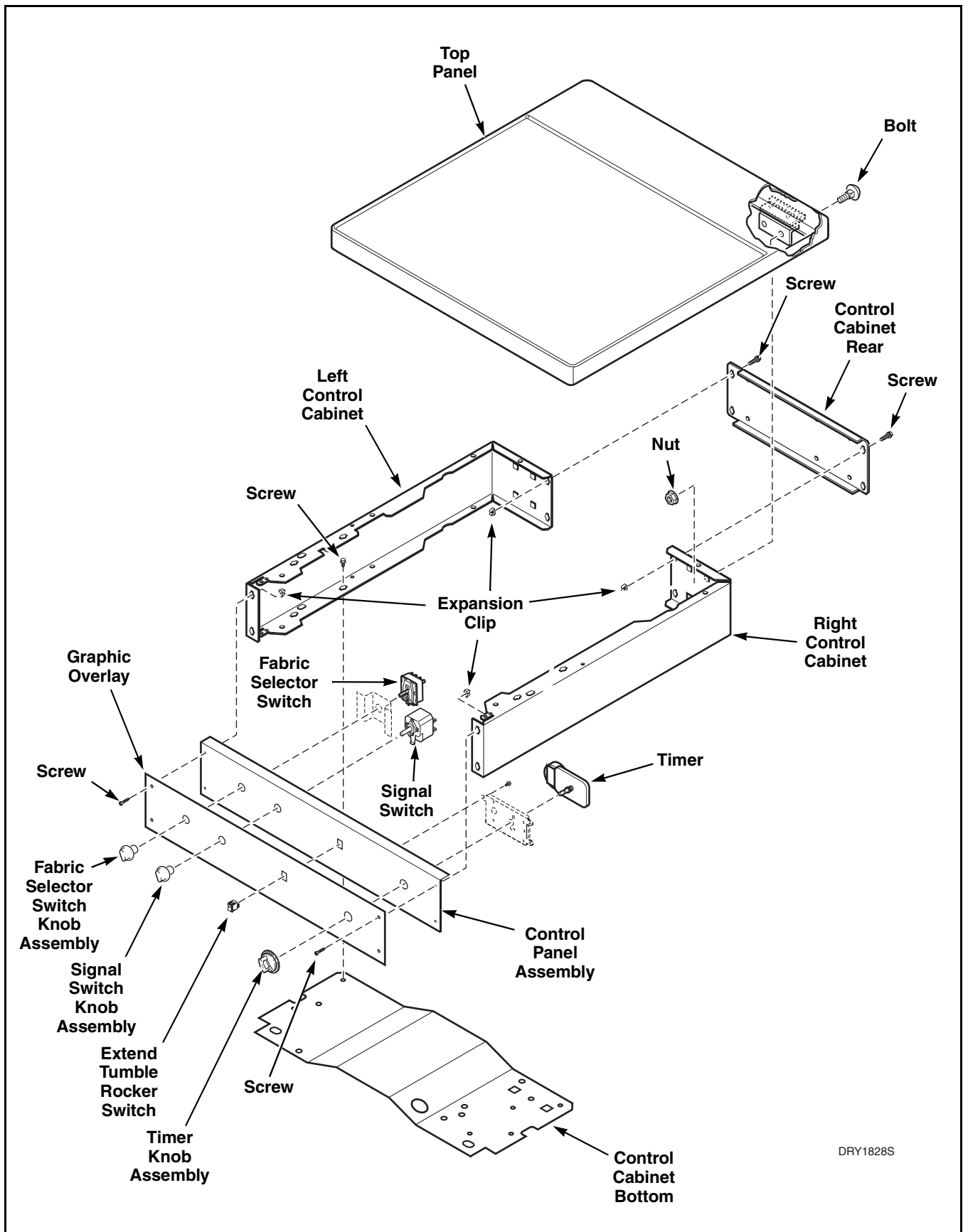
Refer to *Figures 6* and *7*.

- a. Remove timer knob(s) from timer shaft(s).
- b. Pull temperature switch knob(s) off temperature switch shaft(s).
- c. Pull signal knob(s) off signal shaft.
- d. Remove screws holding control panel to control cabinet. Refer to *Figures 6* and *7*. Remove panel as far as wires will permit.
- e. Disconnect wires from signal(s). Remove signal(s) from control panel.
- f. Disconnect wires from rocker switch (extend tumble), if applicable. Remove switch through front of control panel.
- g. Disconnect wires from temperature switch terminals. Remove switch from control panel.

NOTE: DO NOT pull on wires. Instead, unplug by pulling on disconnect blocks. Use a pliers, if necessary.

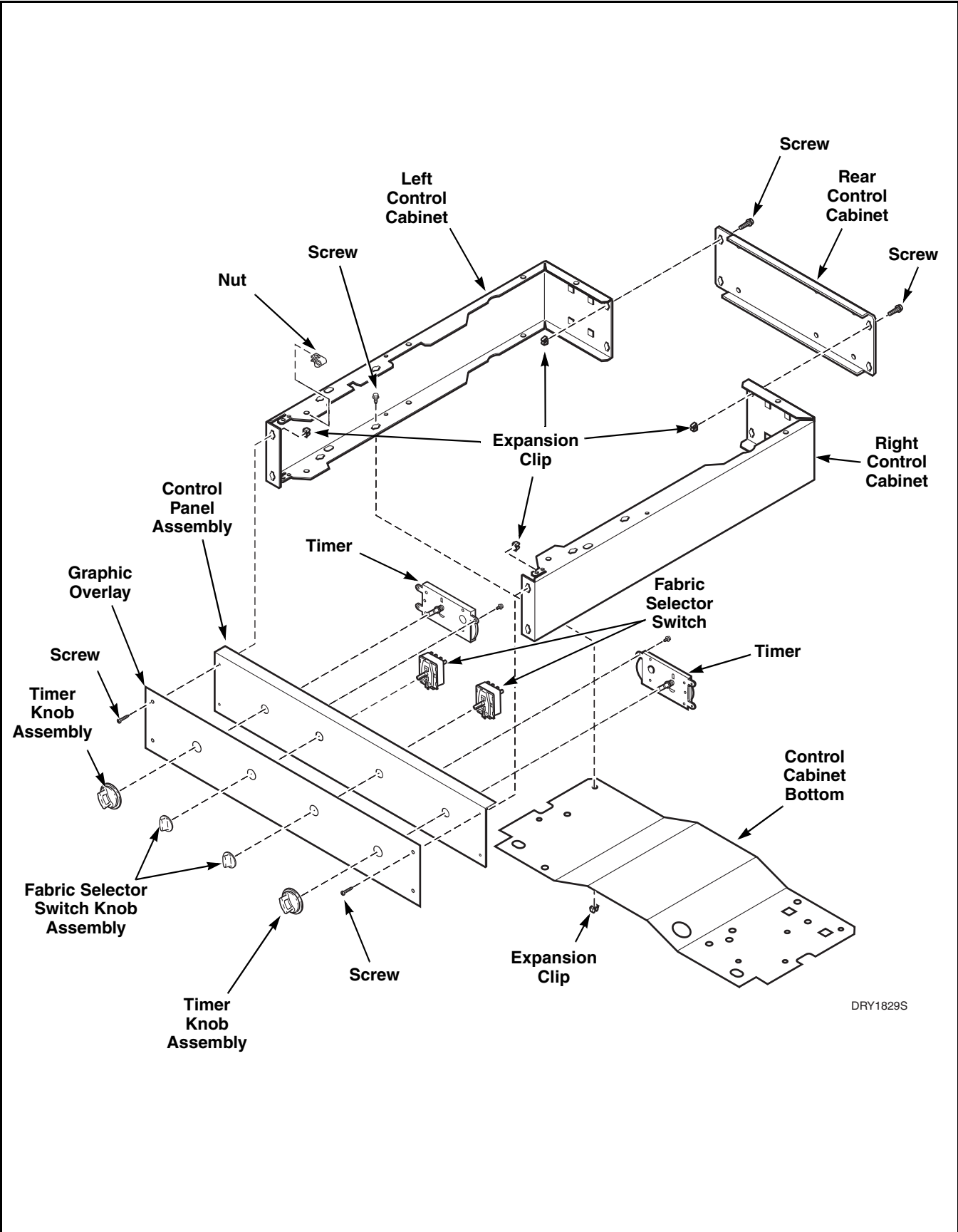
NOTE: Refer to wiring diagram when rewiring switches.

- h. Remove wire harness and wires from timer(s). Remove timer(s) from control panel.
- i. Remove control panel overlay from control panel.
- j. Remove control panel from unit.



DRY1828S

Figure 6
CONTROL PANEL AND CONTROLS – FRONT CONTROL DRYERS



DRY1829S

Figure 7
CONTROL PANEL AND CONTROLS – STACKED DRYERS



WARNING

To reduce the risk of electric shock, fire, explosion, serious injury or death:

- Disconnect electric power to the dryer(s) before servicing.
- Close gas shut-off valve to gas dryer(s) before servicing.
- Never start the dryer(s) with any guards/panels removed.
- Whenever ground wires are removed during servicing, these ground wires must be reconnected to ensure that the dryer is properly grounded.

W001R1

30. ACCESS PANEL

Refer to *Figure 8*.

- a. While supporting access panel, remove two screws from bottom edge of panel.
- b. Gently lower access panel to disengage panel locators from bottom edge of front panel.
- c. Remove access panel.

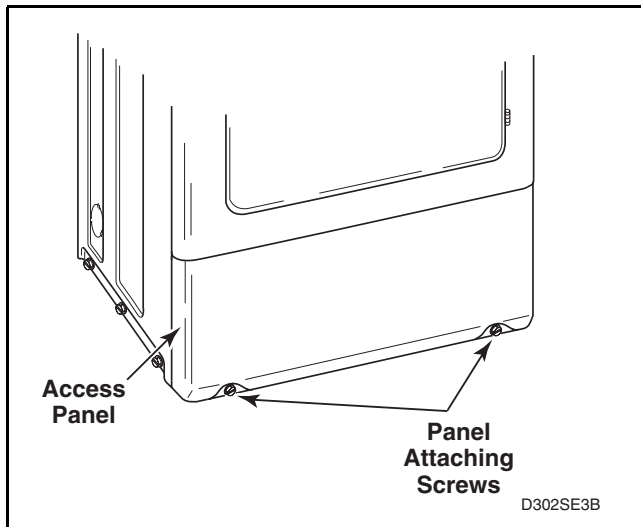


Figure 8

31. CABINET TOP

- a. While supporting the access panel, remove two screws from bottom edge of access panel. Refer to *Figure 8*.
- b. Gently lower access panel to disengage panel locators from bottom edge of access panel. Refer to *Figure 17*.
- c. Remove two screws holding bottom tabs on front panel to dryer cabinet. Refer to *Figure 9*.
- d. Swing bottom of front panel away from dryer to disengage hold-down clips and locators from cabinet top.
- e. Disconnect wires from door switch. Refer to *Figure 16*.

NOTE: Refer to wiring diagram when rewiring switch.

- f. Remove two screws holding cabinet top to front flange of cabinet. Refer to *Figure 10*.
- g. Lift cabinet top to a vertical position by hinging it on the rear hold-down brackets. Refer to *Figure 11*.

NOTE: While servicing, cabinet top may be raised and hinged on the rear hold-down brackets or supported against wall behind dryer.

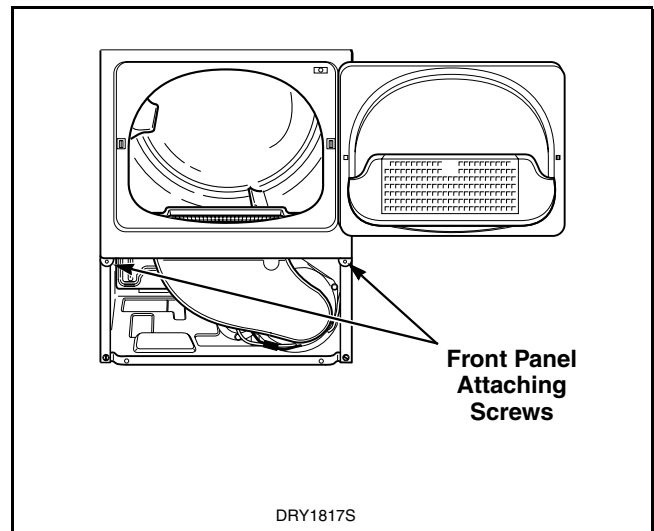


Figure 9

h. Rear Control Models:

Carefully withdraw wire harness through hole in cabinet top and lift the top off the hold-down brackets. Refer to *Figure 11*.



WARNING

To reduce the risk of electric shock, fire, explosion, serious injury or death:

- Disconnect electric power to the dryer(s) before servicing.
- Close gas shut-off valve to gas dryer(s) before servicing.
- Never start the dryer(s) with any guards/panels removed.
- Whenever ground wires are removed during servicing, these ground wires must be reconnected to ensure that the dryer is properly grounded.

W001R1

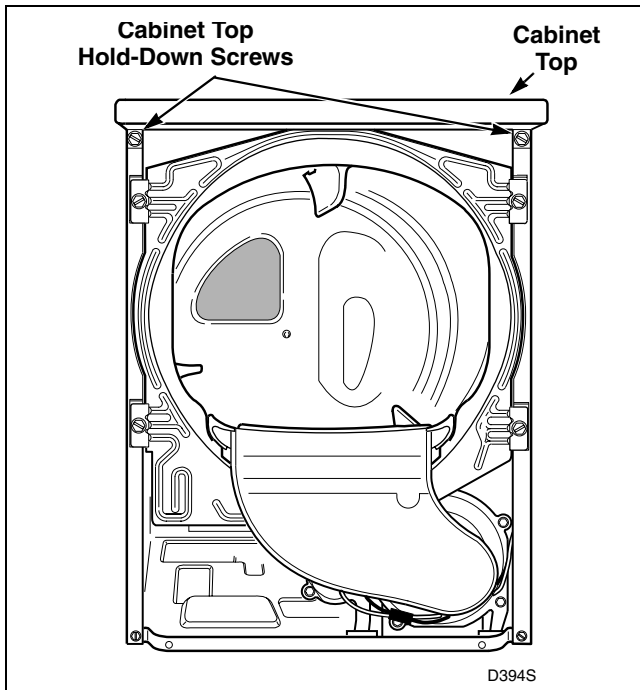


Figure 10

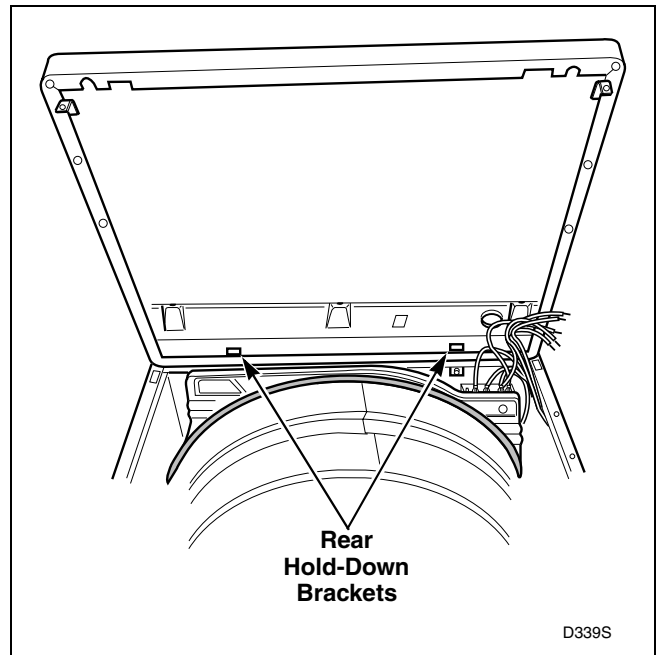


Figure 11



WARNING

To reduce the risk of electric shock, fire, explosion, serious injury or death:

- Disconnect electric power to the dryer(s) before servicing.
- Close gas shut-off valve to gas dryer(s) before servicing.
- Never start the dryer(s) with any guards/panels removed.
- Whenever ground wires are removed during servicing, these ground wires must be reconnected to ensure that the dryer is properly grounded.

W001R1

32. LINT FILTER

- a. Open loading door and remove screw from end of lint filter. Refer to *Figure 12*.
- b. Lift lint filter out of air duct, paying close attention to orientation.

IMPORTANT: When installing lint filter, be sure to install the filter with the words facing the front of the dryer. If filter is installed backwards, lint will accumulate in exhaust system, which can adversely affect dryer performance.

33. LOADING DOOR

- a. Open loading door.
- b. Remove screws holding loading door to hinges. Refer to *Figure 12*.

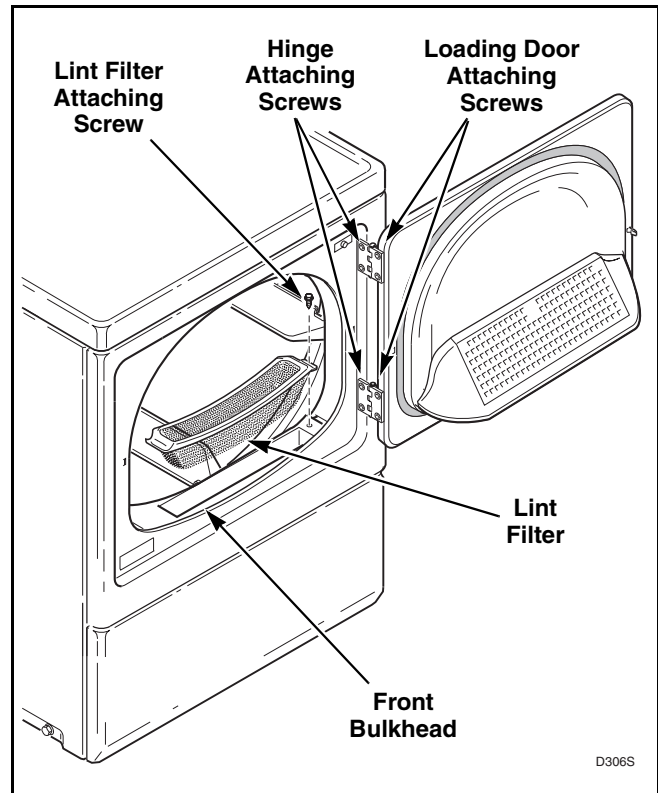


Figure 12

D306S



WARNING

To reduce the risk of electric shock, fire, explosion, serious injury or death:

- Disconnect electric power to the dryer(s) before servicing.
- Close gas shut-off valve to gas dryer(s) before servicing.
- Never start the dryer(s) with any guards/panels removed.
- Whenever ground wires are removed during servicing, these ground wires must be reconnected to ensure that the dryer is properly grounded.

W001R1

34. INNER AND OUTER DOOR PANELS AND DOOR PULL

- Remove four screws holding door assembly to hinges. Refer to *Figure 12*.
- Remove remaining screws around the door assembly and separate panels. Refer to *Figure 13*.
- Remove wedge (located behind door pull) by carefully prying up on center of wedge. Refer to *Figure 13*.

d. Remove door pull. Refer to *Figure 13*.

35. DOOR STRIKE

- Open loading door.
- Remove screw holding door strike and bracket to loading door and remove strike and bracket. Refer to *Figure 13*.

NOTE: You may have to loosen the two screws on end of door to allow for strike and bracket removal.

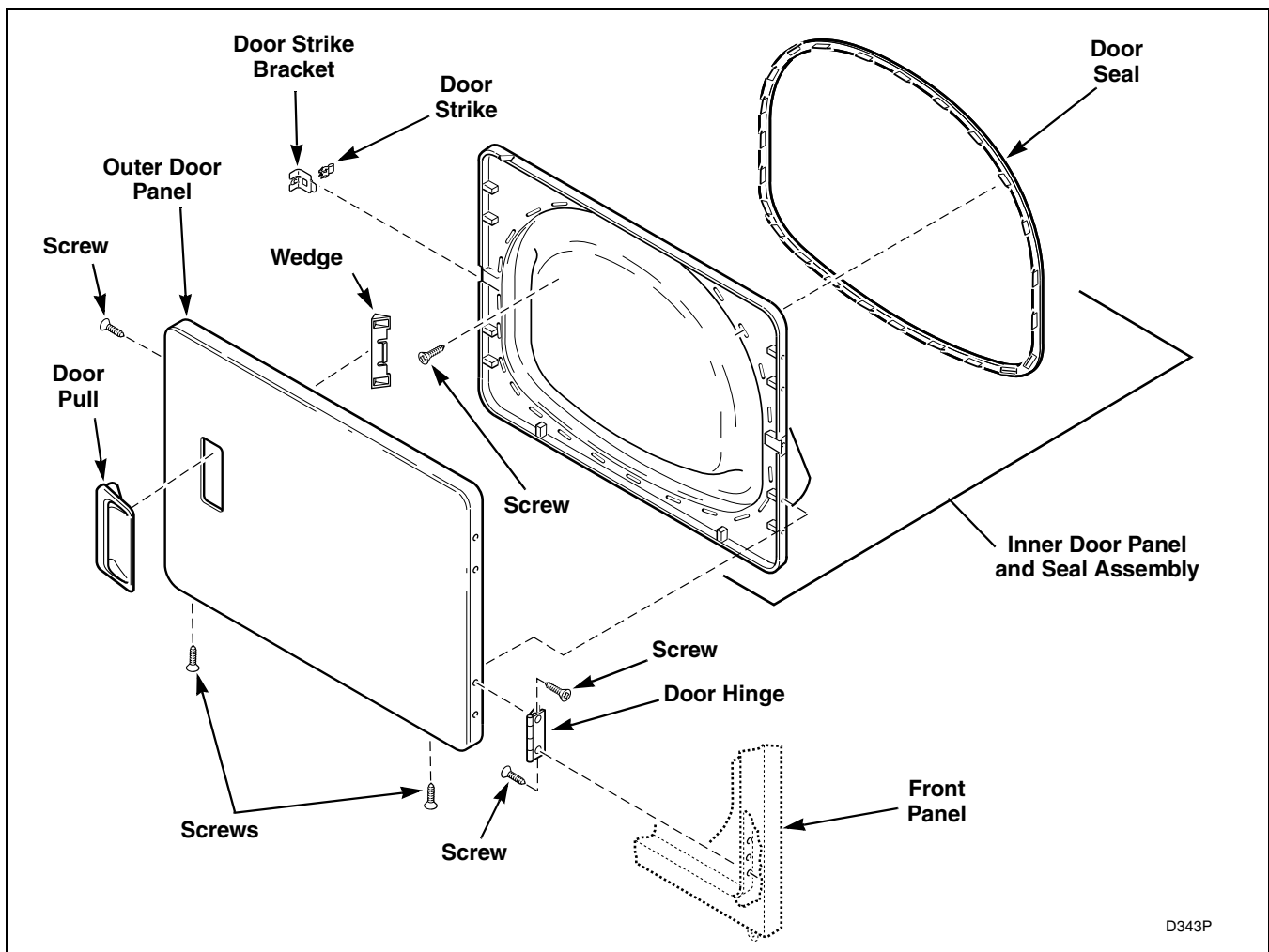


Figure 13

D343P

36. REVERSING DOOR PROCEDURE (Doors Without Windows Only)

The dryer door is completely reversible. To reverse door proceed as follows:

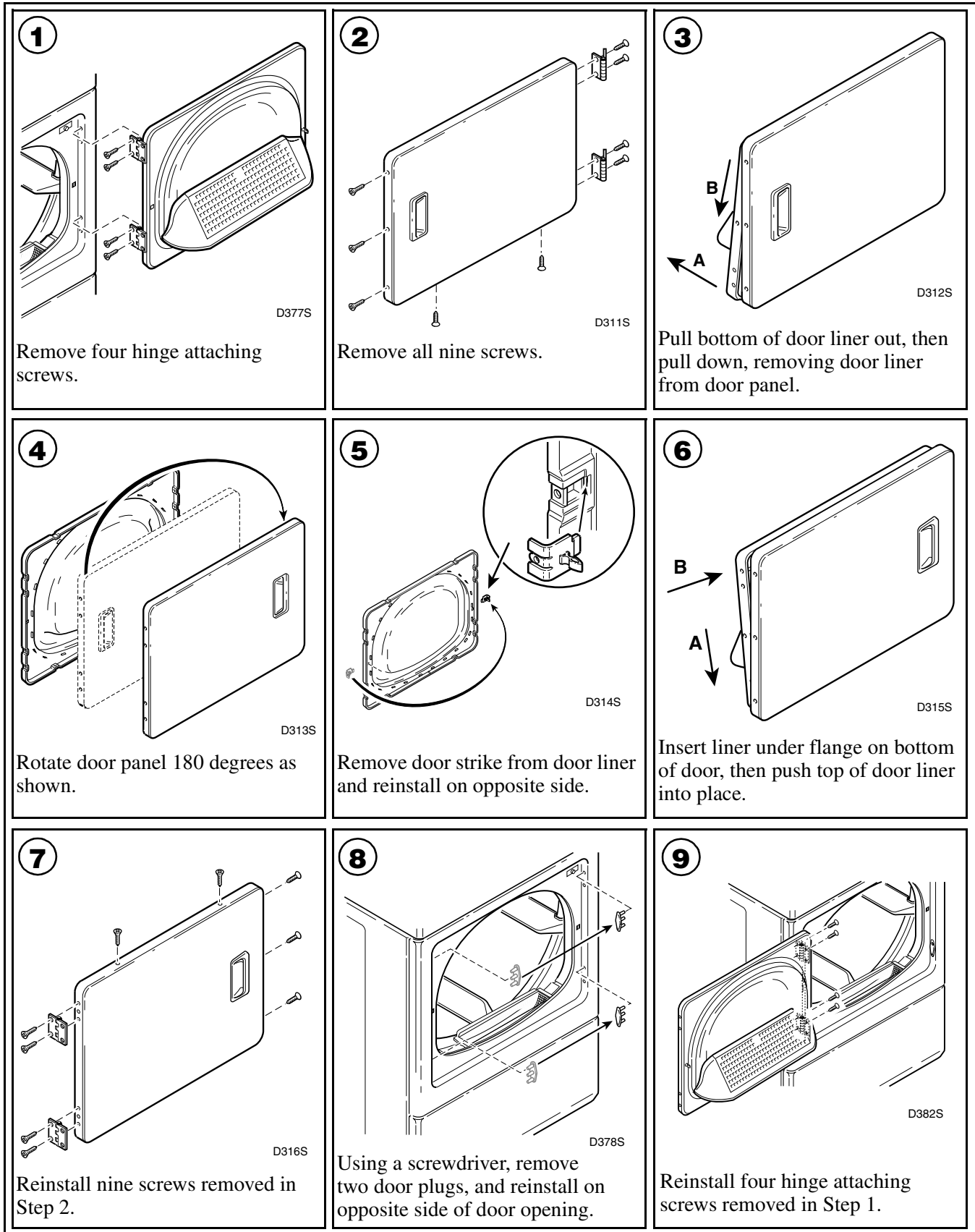


Figure 14



WARNING

To reduce the risk of electric shock, fire, explosion, serious injury or death:

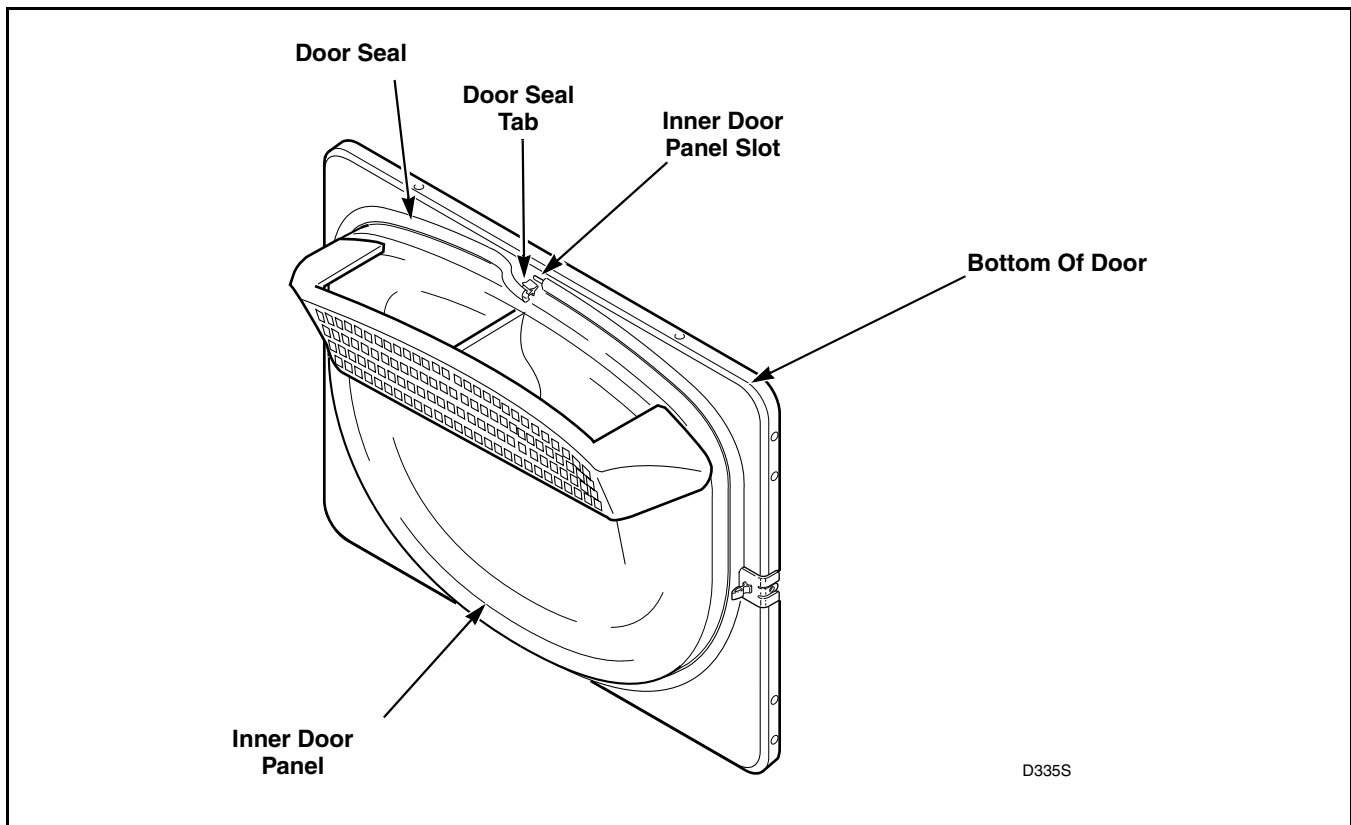
- Disconnect electric power to the dryer(s) before servicing.
- Close gas shut-off valve to gas dryer(s) before servicing.
- Never start the dryer(s) with any guards/panels removed.
- Whenever ground wires are removed during servicing, these ground wires must be reconnected to ensure that the dryer is properly grounded.

W001R1

37. DOOR SEAL

- Remove inner door panel from outer door panel. Refer to *Paragraph 34*.
- Grasp either end of door seal at bottom of door and remove seal from tabs on inner door panel by gently pulling on the seal. Refer to *Figure 15*.

NOTE: When replacing seal, be sure seal is not stretched or distorted. The tab in the seal should be installed in each slot of the inner door panel, shown in *Figure 15*. The split in the seal must be at the bottom of the door. Make sure that each tab of the seal is fully engaged into the slot.



D335S

Figure 15



WARNING

To reduce the risk of electric shock, fire, explosion, serious injury or death:

- Disconnect electric power to the dryer(s) before servicing.
- Close gas shut-off valve to gas dryer(s) before servicing.
- Never start the dryer(s) with any guards/panels removed.
- Whenever ground wires are removed during servicing, these ground wires must be reconnected to ensure that the dryer is properly grounded.

W001R1

38. FRONT PANEL AND PANEL SEAL

- a. While supporting the access panel, remove two screws from bottom edge of access panel. Refer to *Figure 8*.
- b. Gently lower the access panel to disengage locators from bottom edge of front panel. Refer to *Figure 17*.
- c. Remove two screws holding bottom tabs on front panel to dryer side panels. Refer to *Figure 9*. Swing bottom of front panel away from dryer far enough to disengage hold-down clips and locators from cabinet top.
- d. Disconnect wires from door switch. Refer to *Figure 16*.

NOTE: Refer to wiring diagram when rewiring switch.

- e. Remove front panel seal from flange around inside of door opening. Refer to *Figure 17*.

NOTE: Be sure seal is properly positioned when installing on front panel.

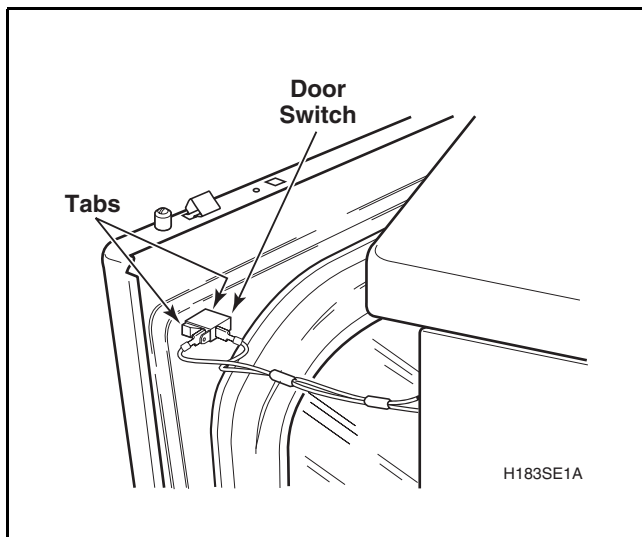


Figure 16

39. DOOR SWITCH

- a. While supporting the access panel, remove two screws from bottom edge of access panel. Refer to *Figure 8*.
- b. Gently lower the access panel to disengage locators from bottom edge of front panel. Refer to *Figure 17*.
- c. Remove two screws holding tabs on front panel to dryer side panels. Refer to *Figure 9*. Swing bottom of front panel away from dryer far enough to disengage hold-down clips and locators from cabinet top.
- d. Disconnect wires from door switch. Refer to *Figure 16*.

NOTE: Refer to wiring diagram when rewiring switch.

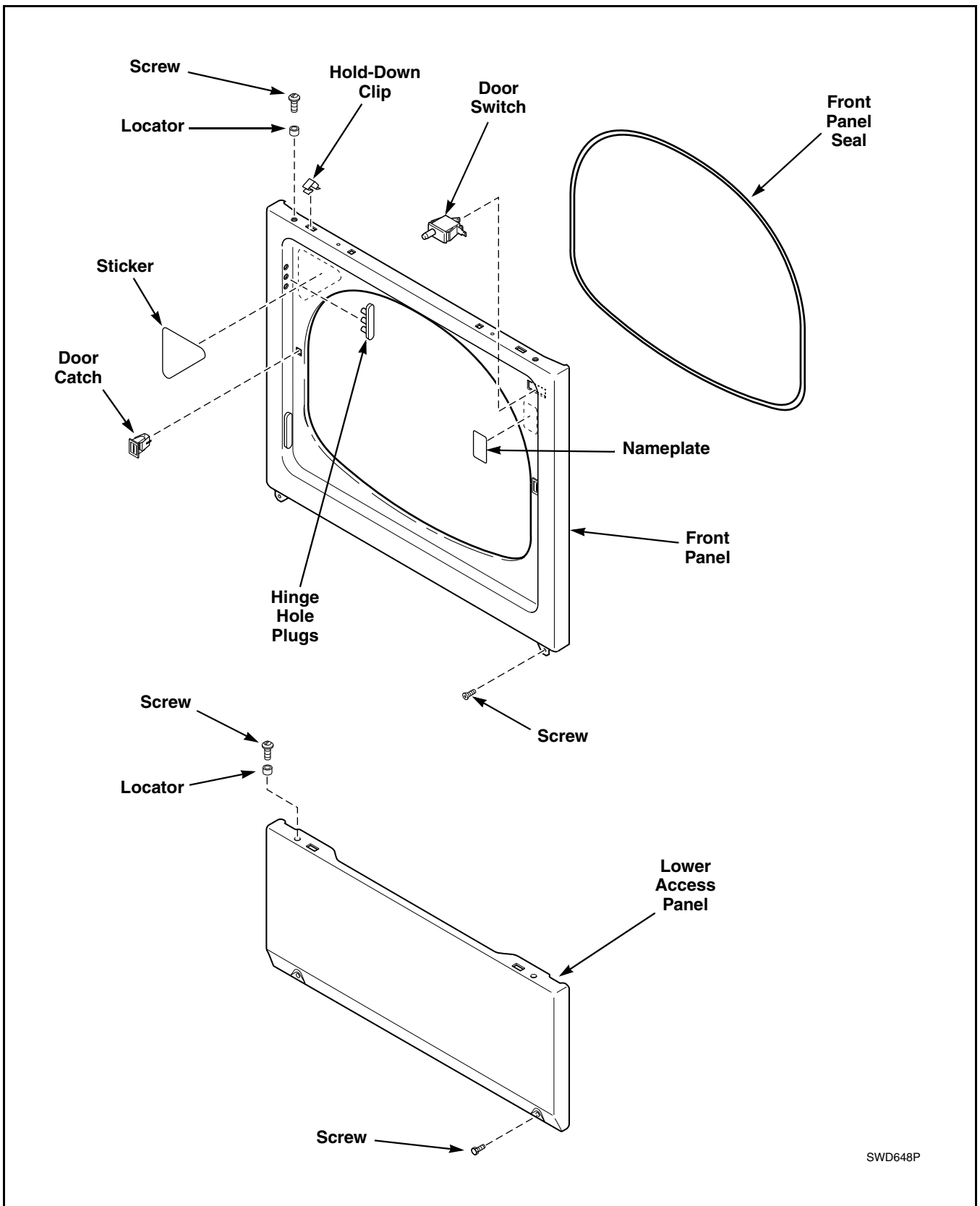
- e. Depress tabs on switch and push out of front panel. Refer to *Figure 16*.

40. DOOR CATCH

- a. While supporting the access panel, remove two screws from bottom edge of access panel. Refer to *Figure 8*.
- b. Gently lower the access panel to disengage locators from bottom edge of front panel. Refer to *Figure 17*.
- c. Remove two screws holding bottom tabs on front panel to dryer side panels. Refer to *Figure 9*. Swing bottom of front panel away from dryer far enough to disengage hold-down clips and locators from cabinet top.
- d. Disconnect wires from door switch. Refer to *Figure 16*.

NOTE: Refer to wiring diagram when rewiring switch.

- e. Depress tabs on top and bottom of catch and push out of front panel.



SWD648P

Figure 17



WARNING

To reduce the risk of electric shock, fire, explosion, serious injury or death:

- Disconnect electric power to the dryer(s) before servicing.
- Close gas shut-off valve to gas dryer(s) before servicing.
- Never start the dryer(s) with any guards/panels removed.
- Whenever ground wires are removed during servicing, these ground wires must be reconnected to ensure that the dryer is properly grounded.

W001R1

41. DOOR HINGE

- a. Open loading door and, while supporting door, remove four screws holding door assembly to hinges. Refer to *Figure 18*.
- b. Remove four screws holding hinges to front panel. Refer to *Figure 18*.

42. HOLD-DOWN CLIPS AND LOCATORS

- a. While supporting the access panel, remove two screws from bottom edge of access panel. Refer to *Figure 8*.
- b. Gently lower access panel to disengage panel locators from bottom edge of front panel. Refer to *Figure 17*.
- c. Remove two screws holding bottom tabs on front panel to dryer side panels. Refer to *Figure 9*. Swing bottom edge of front panel away from dryer far enough to disengage hold-down clips and panel locators from cabinet top.
- d. Disconnect wires from door switch. Refer to *Figure 16*.

NOTE: Refer to wiring diagram when rewiring switch.

- e. Compress hold-down clips and remove from top of front panel. Refer to *Figure 17*.
- f. Remove four screws holding four locators to access panel or front panel. Refer to *Figure 17*.

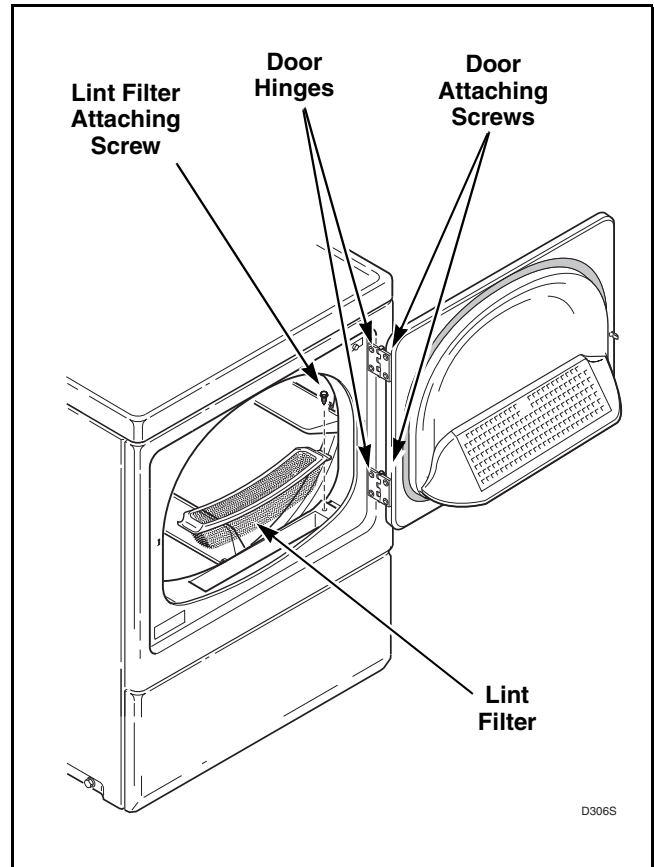


Figure 18

D306S



WARNING

To reduce the risk of electric shock, fire, explosion, serious injury or death:

- Disconnect electric power to the dryer(s) before servicing.
- Close gas shut-off valve to gas dryer(s) before servicing.
- Never start the dryer(s) with any guards/panels removed.
- Whenever ground wires are removed during servicing, these ground wires must be reconnected to ensure that the dryer is properly grounded.

W001R1

43. BURNER SYSTEM COMPONENTS (Gas Models)

- a. While supporting the access panel, remove two screws from bottom edge of access panel. Refer to *Figure 8*.
- b. Gently lower the access panel to disengage locators from bottom edge of front panel. Refer to *Figure 17*.
- c. **Complete Gas Valve Assembly.**
 - (1) Close main gas shut-off valve, disconnect igniter wires at disconnect blocks, sensor wires from sensor terminals, and wires

from gas valve coils at the quick disconnect blocks. Refer to *Figure 19*.

- (2) Disconnect gas shut-off valve from gas valve at the union nut. Refer to *Figure 19*.
- (3) Remove three screws holding valve and mounting bracket to base. Refer to *Figure 19*.
- (4) Lift gas valve and mounting bracket from base. Refer to *Figure 19*.

NOTE: The holding and booster coil, and secondary coil can be replaced individually.

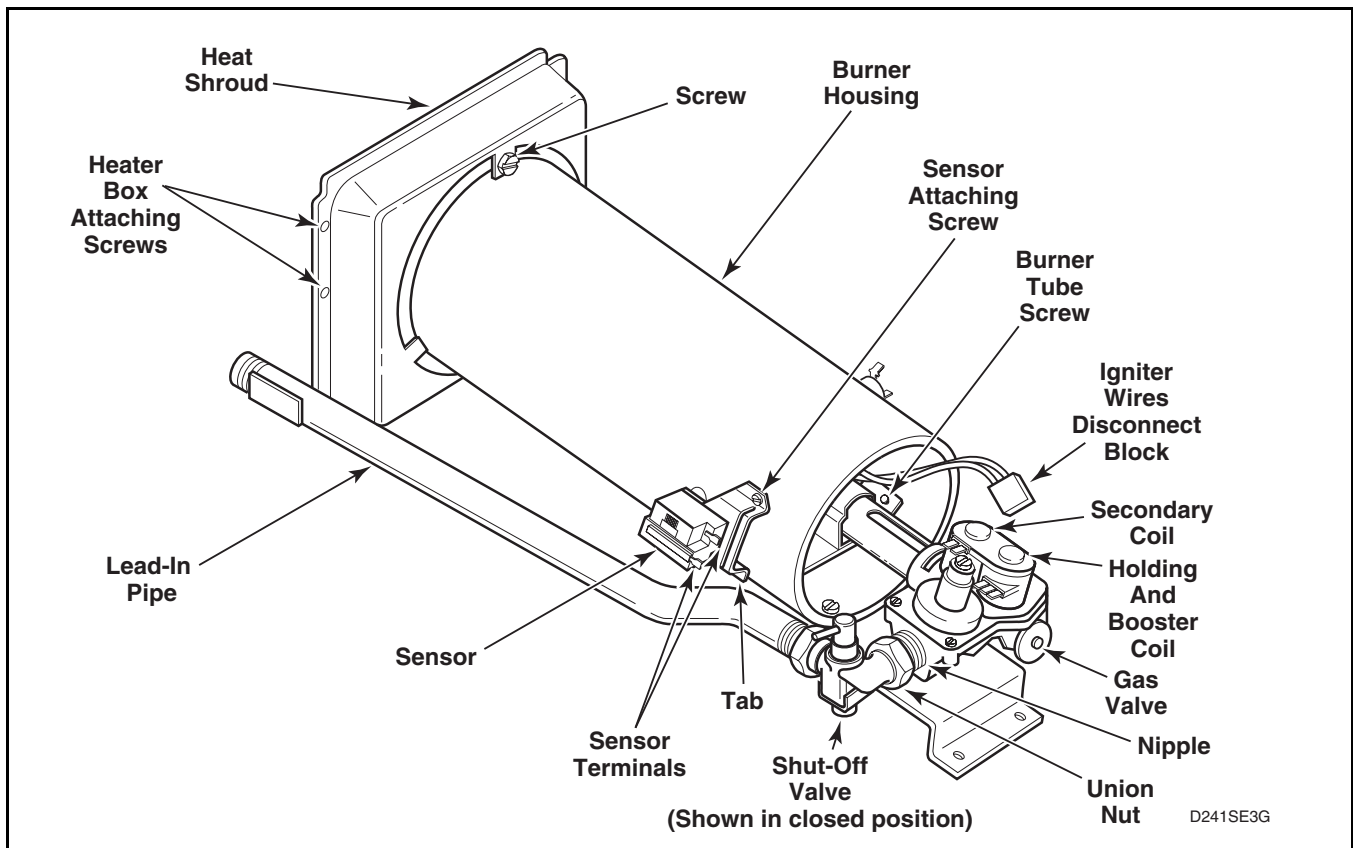


Figure 19



WARNING

To reduce the risk of electric shock, fire, explosion, serious injury or death:

- Disconnect electric power to the dryer(s) before servicing.
- Close gas shut-off valve to gas dryer(s) before servicing.
- Never start the dryer(s) with any guards/panels removed.
- Whenever ground wires are removed during servicing, these ground wires must be reconnected to ensure that the dryer is properly grounded.

W001R1

d. Burner Tube, Igniter and Bracket

NOTE: Burner tube and igniter can be removed without removing gas valve and bracket.

- (1) Remove one screw from right side of burner housing holding burner tube in place. Refer to *Figure 21*.
- (2) Gently move burner tube toward rear of dryer to disengage tab from slot on left side of burner housing. Refer to *Figure 19*.
- (3) Carefully rotate burner tube and igniter **counterclockwise** so tab is at 8 o'clock position.
- (4) Move air shutter end of burner tube slightly to right and **CAREFULLY** remove burner tube and igniter assembly out through front of dryer.

- (5) Remove screw holding igniter and bracket to burner tube and remove igniter and bracket. Refer to *Figure 20*.

IMPORTANT: Use care while removing igniter to avoid damage. The igniter is very fragile.

IMPORTANT: Handle igniter by grasping the white ceramic portion of bracket only. DO NOT handle silicon carbide portion of igniter with hands or allow it to be contaminated by oil, grease or other foreign material. Oil, grease and other impurities or hairline cracks will cause igniter to burn out.

e. Sensor

- (1) Remove wires from sensor terminals. Refer to *Figure 19*.
- (2) Remove screw holding sensor to burner housing. Refer to *Figure 19*.

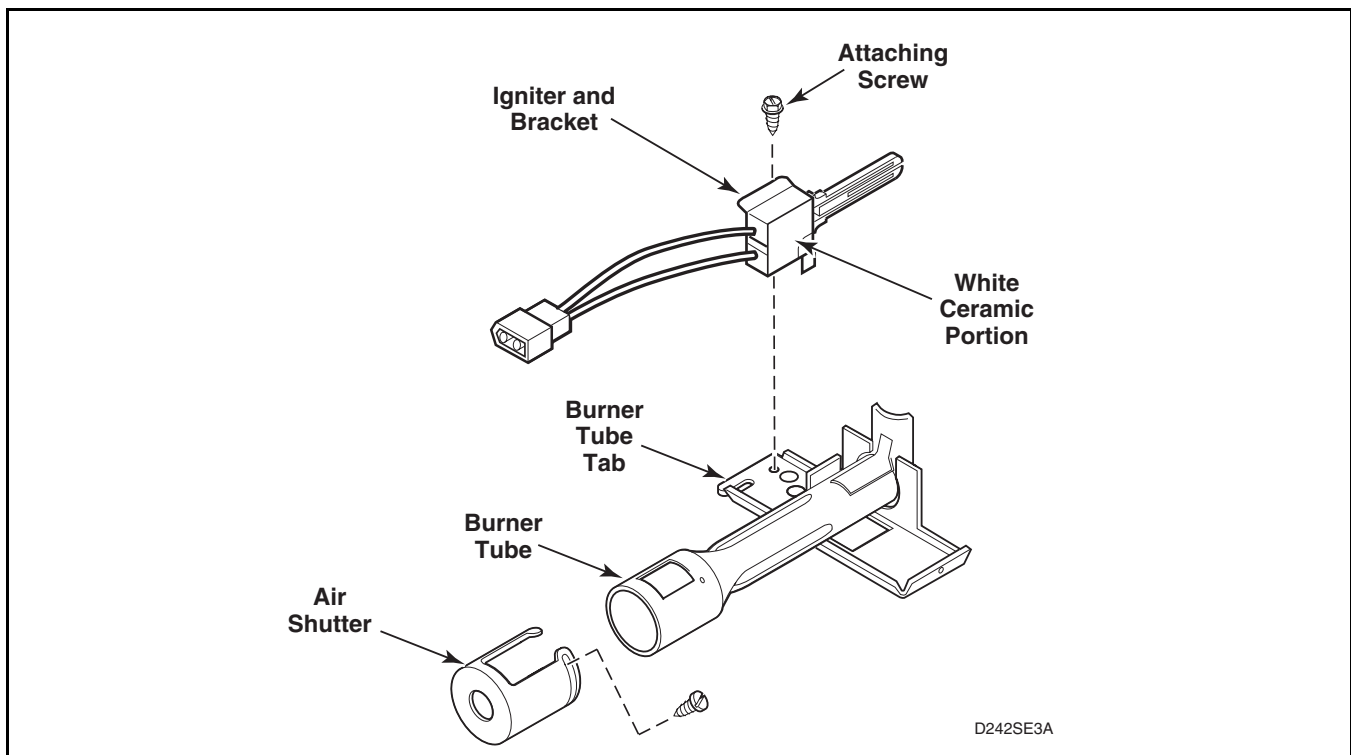


Figure 20



WARNING

To reduce the risk of electric shock, fire, explosion, serious injury or death:

- Disconnect electric power to the dryer(s) before servicing.
- Close gas shut-off valve to gas dryer(s) before servicing.
- Never start the dryer(s) with any guards/panels removed.
- Whenever ground wires are removed during servicing, these ground wires must be reconnected to ensure that the dryer is properly grounded.

W001R1

44. BURNER HOUSING AND HEAT SHROUD (Gas Models)

- a. While supporting access panel, remove two screws from bottom edge of access panel. Refer to *Figure 8*.
- b. Gently lower access panel to disengage locators from bottom edge of front panel. Refer to *Figure 17*.
- c. Disconnect igniter wires at disconnect blocks, sensor wires from sensor terminals, and wires from gas valve coils at the quick disconnect blocks. Refer to *Figure 19*.
- d. Remove screw from right side of burner housing, while holding burner tube in place. Refer to *Figure 21*.
- e. Gently move burner tube toward rear of dryer to disengage tab from slot on left side of burner housing. Refer to *Figure 19*.
- f. Carefully rotate burner tube and igniter **counterclockwise** so tab is at 8 o'clock position.
- g. Move air shutter end of burner tube slightly to the right and **CAREFULLY** remove burner tube and igniter assembly out through front of dryer.

IMPORTANT: The igniter is very fragile. Be careful not to damage it during removal.

- h. Remove screw holding burner housing to heat shroud. Refer to *Figure 19*.
- i. Remove screw holding front of burner housing to dryer base and remove housing out through front of dryer. Refer to *Figure 21*.
- j. Remove two screws holding heat shroud to heater box and remove heat shroud out through front of dryer.

45. LIMIT THERMOSTAT

- a. While supporting the access panel, remove two screws from bottom edge of access panel. Refer to *Figure 8*.
- b. Gently lower the access panel to disengage locators from bottom edge of front panel. Refer to *Figure 17*.
- c. Disconnect wires and remove screws holding limit thermostat to burner housing (gas models) or element plate (electric models). Refer to *Figure 21*.

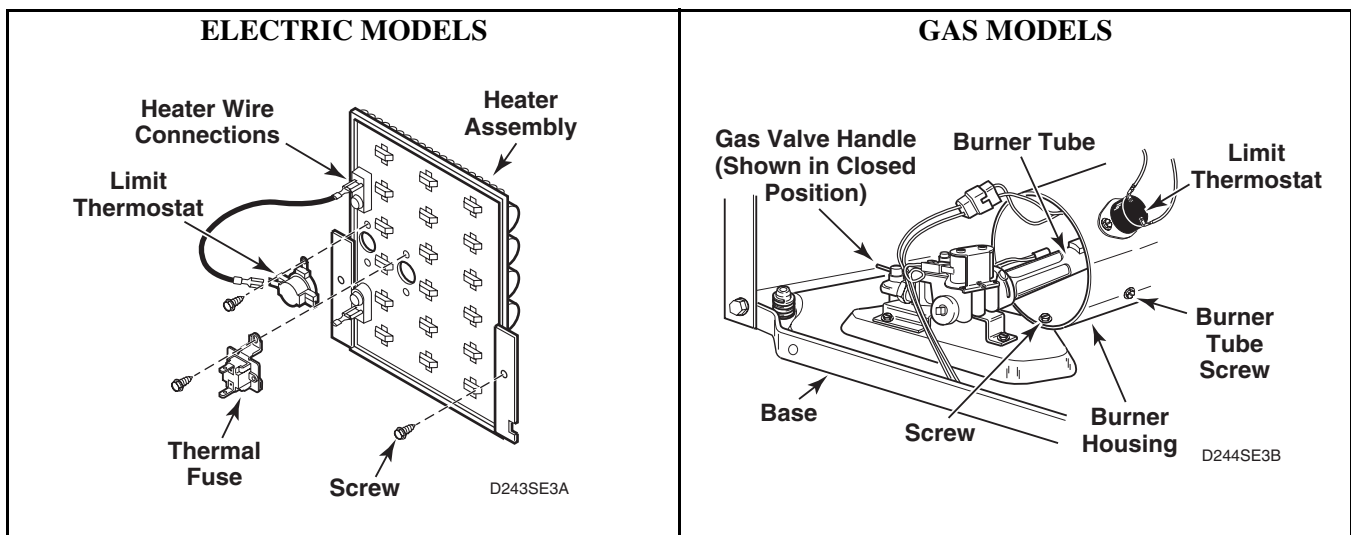


Figure 21



WARNING

To reduce the risk of electric shock, fire, explosion, serious injury or death:

- Disconnect electric power to the dryer(s) before servicing.
- Close gas shut-off valve to gas dryer(s) before servicing.
- Never start the dryer(s) with any guards/panels removed.
- Whenever ground wires are removed during servicing, these ground wires must be reconnected to ensure that the dryer is properly grounded.

W001R1

46. HEATER ASSEMBLY (Electric Models)

- a. While supporting access panel, remove two screws from bottom edge of access panel. Refer to *Figure 8*.
- b. Gently lower access panel to disengage locators from bottom edge of front panel. Refer to *Figure 17*.
- c. Remove two screws holding heater assembly to heater box and remove heater assembly out through front of dryer. Refer to *Figure 21*.
- d. Disconnect wires from heater assembly. Refer to *Figure 21*.

NOTE: When reassembling, be sure all wire connectors are tight on element terminals, thermal fuse and limit thermostat.

47. THERMOSTAT

- a. While supporting the access panel, remove two screws from bottom edge of access panel. Refer to *Figure 8*.
- b. Gently lower the access panel to disengage locators from bottom edge of front panel. Refer to *Figure 17*.
- c. Disconnect wires and remove thermostat attaching screws. Refer to *Figure 22*.

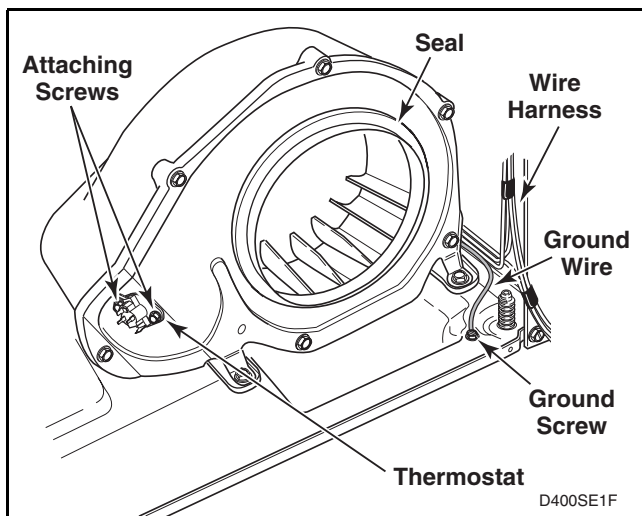


Figure 22

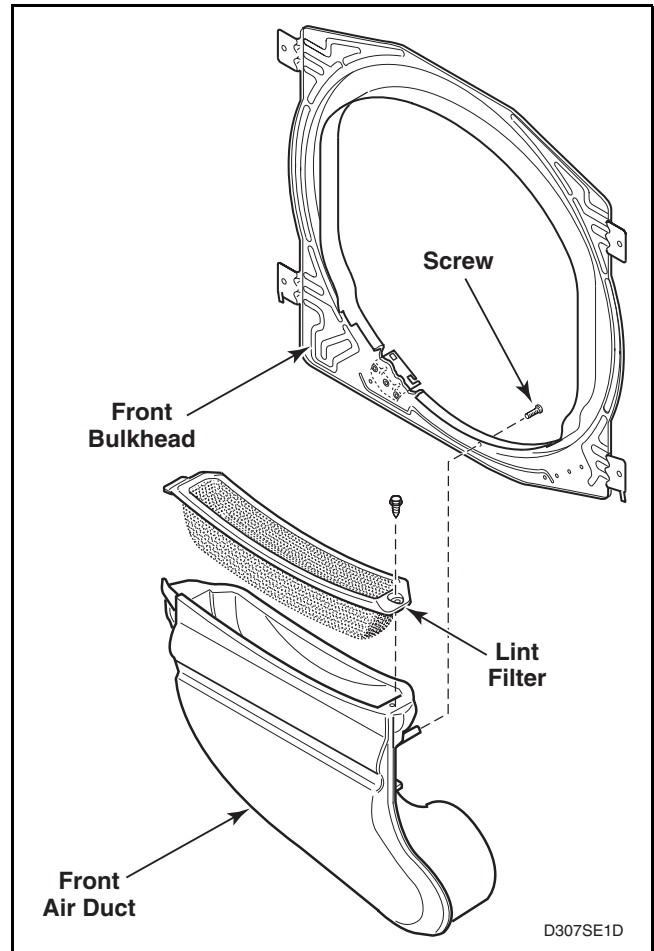


Figure 23

48. AIR DUCT

- a. While supporting the access panel, remove two screws from bottom edge of access panel. Refer to *Figure 8*.
- b. Gently lower the access panel to disengage locators from bottom edge of front panel. Refer to *Figure 17*.
- c. Open loading door and remove screw from end of lint filter. Refer to *Figure 12*.
- d. Lift lint filter out of air duct, paying close attention to orientation.



WARNING

To reduce the risk of electric shock, fire, explosion, serious injury or death:

- Disconnect electric power to the dryer(s) before servicing.
- Close gas shut-off valve to gas dryer(s) before servicing.
- Never start the dryer(s) with any guards/panels removed.
- Whenever ground wires are removed during servicing, these ground wires must be reconnected to ensure that the dryer is properly grounded.

W001R1

IMPORTANT: When installing lint filter, be sure to install the filter with the words facing the front of the dryer. If filter is installed backwards, lint will accumulate in exhaust system, which can adversely affect dryer performance.

- e. Remove three screws holding the air duct to the front bulkhead inside cylinder. Refer to *Figure 23*.



WARNING

To reduce the risk of serious injury or death by carbon monoxide and other gases in gas dryers, carefully read and follow all instructions given in this section.

W005

- f. Carefully lift air duct out of dryer.

IMPORTANT: When reassembling, be sure seal on blower fan cover makes airtight seal on flange of duct. Refer to *Figure 22*. If the seal is installed improperly, the airflow through the exhaust system will be restricted which can adversely affect dryer performance.

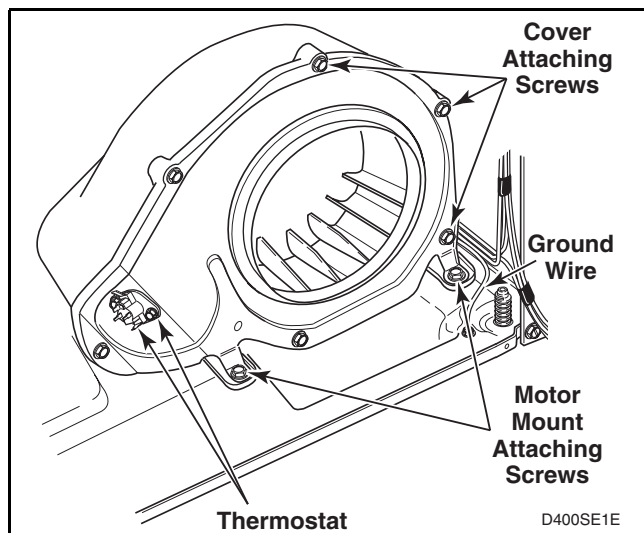


Figure 24

49. MOTOR AND EXHAUST ASSEMBLY

- a. While supporting the access panel, remove two screws from bottom edge of access panel. Refer to *Figure 8*.
- b. Gently lower the access panel to disengage locators from bottom edge of front panel. Refer to *Figure 17*.
- c. Open loading door, remove screw, and lift filter out of bulkhead.
- d. Remove screws holding air duct to front bulkhead (inside cylinder). Refer to *Figure 23*.



WARNING

To reduce the risk of serious injury or death by carbon monoxide and other gases in gas dryers, carefully read and follow all instructions given in this section.


W005

IMPORTANT: When reassembling, be sure seal on blower fan cover makes airtight seal on flange of duct. Refer to *Figure 22*. If the seal is installed improperly, the airflow through the exhaust system will be restricted, which can adversely affect dryer performance.

- e. Disconnect wires from thermostat.

NOTE: Refer to wiring diagram when rewiring thermistor.

- f. Remove screw holding ground wire to dryer base. Refer to *Figure 24*.
- g. Remove cylinder belt from idler and motor pulleys. Refer to *Figure 25*.
- h. Disengage motor wire harness terminal block from motor switch by pressing in on the movable locking tabs (located on each end of the terminal block) and pulling away from motor. Refer to *Figures 28 and 29*.
- i. Remove two screws holding motor mounting bracket to dryer base. Refer to *Figure 24*.

	WARNING
<p>To reduce the risk of electric shock, fire, explosion, serious injury or death:</p> <ul style="list-style-type: none"> • Disconnect electric power to the dryer(s) before servicing. • Close gas shut-off valve to gas dryer(s) before servicing. • Never start the dryer(s) with any guards/panels removed. • Whenever ground wires are removed during servicing, these ground wires must be reconnected to ensure that the dryer is properly grounded. 	
W001R1	

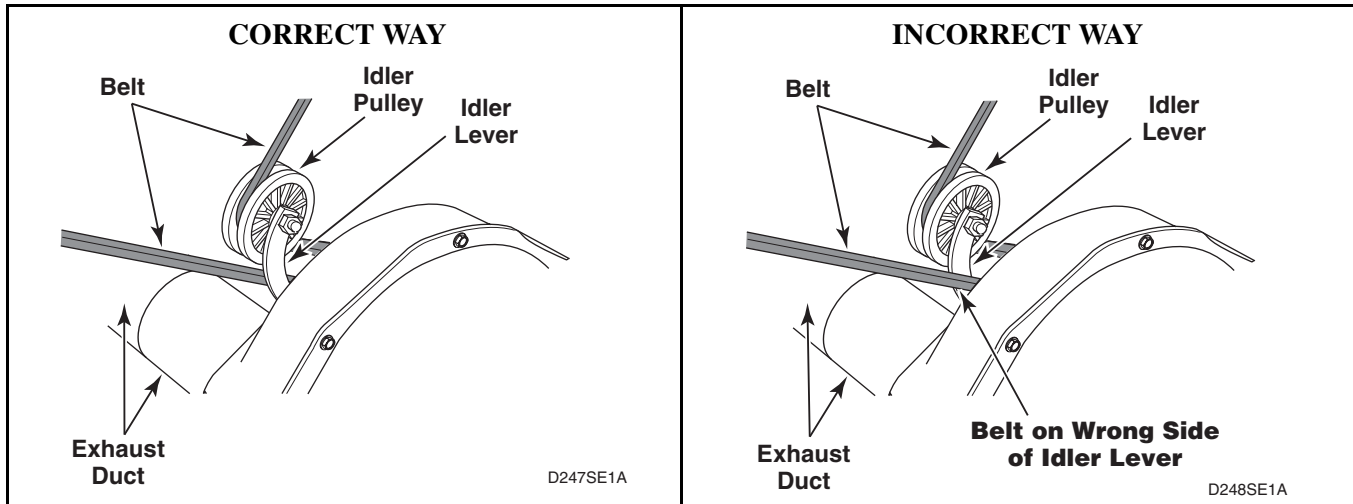



Figure 25

	WARNING
<p>To reduce the risk of serious injury or death by carbon monoxide and other gases in gas dryers, carefully read and follow all instructions given in this section.</p>	
W005	

IMPORTANT: When reassembling, be sure seal on blower fan cover makes airtight seal on flange of duct. Refer to *Figure 22*. If the seal is installed improperly, the airflow through the exhaust system will be restricted which can adversely affect dryer performance.

IMPORTANT: When reinstalling motor and exhaust assembly, be sure wire harness on right side is clipped to motor mounting bracket and is routed along dryer base (between motor mounting bracket and right side of cabinet). Refer to *Figure 22*. Tab on rear of motor mounting bracket must be slid into slot in dryer base. Be sure the belt has been installed on the correct side of the idler lever. Refer to *Figure 25*.

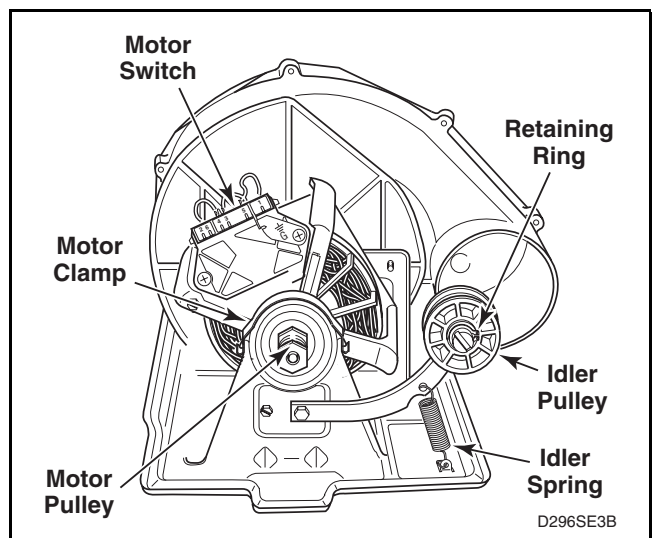


Figure 26

- j. Pull assembly forward and disengage the middle exhaust duct.
- k. Rotate the assembly 90° **counterclockwise** and slide out through front of dryer.



WARNING

To reduce the risk of electric shock, fire, explosion, serious injury or death:

- Disconnect electric power to the dryer(s) before servicing.
- Close gas shut-off valve to gas dryer(s) before servicing.
- Never start the dryer(s) with any guards/panels removed.
- Whenever ground wires are removed during servicing, these ground wires must be reconnected to ensure that the dryer is properly grounded.

W001R1

l. Motor pulley and idler pulley assemblies.

Refer to *Figure 26* for motor and idler pulley removal.

NOTE: When repairing or replacing the idler lever, it is important to make sure the idler lever moves freely. To ensure that the idler lever can move freely, proceed as follows:

- (1) Unhook idler spring.
- (2) Lift idler lever approximately 3 inches and release. If idler lever does not fall back to the base of the motor mount, then idler lever bolt is too tight.
- (3) Loosen idler lever bolt 1/4 turn.
- (4) Add grease between idler lever and motor mount.

m. Blower fan and housing.

- (1) Remove screws holding cover to housing. Refer to *Figure 24*.
- (2) Hold motor pulley securely and unthread blower fan from motor shaft (right hand thread). Use a 7/8 inch, 6 point socket to aid in the removal of the blower fan.
- (3) Remove three screws holding the blower housing to the motor mounting bracket. Refer to *Figure 27*.

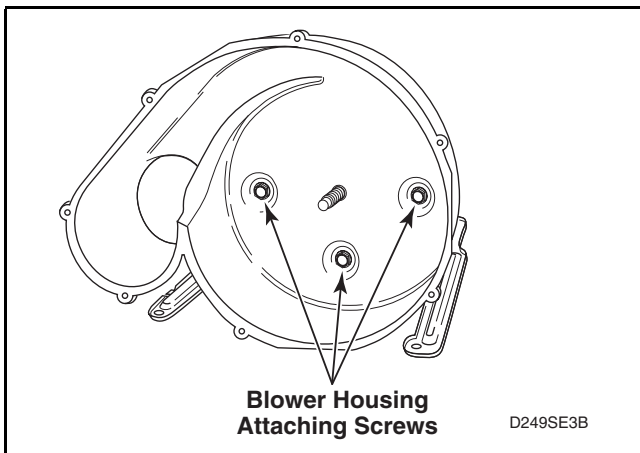


Figure 27

n. Motor.

- (1) Disengage motor wire harness terminal block from the motor by pressing in on the movable locking tabs (located on each side of the terminal block) and pulling away from motor. Refer to *Figure 28*.

IMPORTANT: To avoid an open circuit, DO NOT pull on the terminal block wires when removing blocks from motor as this could damage the wires or terminal crimping.

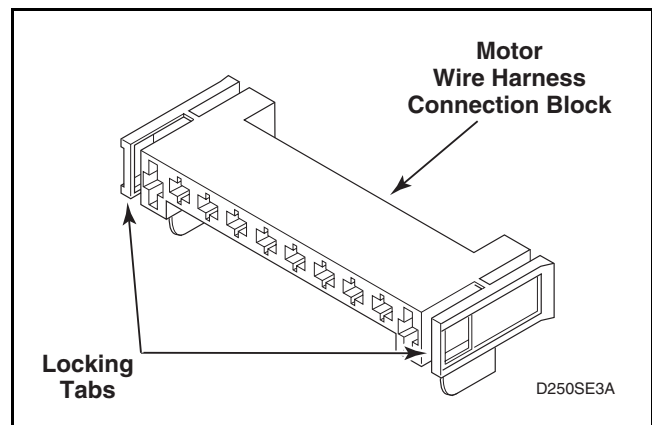


Figure 28

Before attaching wire harness terminal block to motor, be sure all the male terminals on motor are straight and are capable of accepting the terminals from the wire harness terminal block.

- (2) Pry two motor clamps off motor mounting bracket with screwdriver, then lift motor out of mounting bracket. Refer to *Figure 26*.



WARNING

To reduce the risk of electric shock, fire, explosion, serious injury or death:

- Disconnect electric power to the dryer(s) before servicing.
- Close gas shut-off valve to gas dryer(s) before servicing.
- Never start the dryer(s) with any guards/panels removed.
- Whenever ground wires are removed during servicing, these ground wires must be reconnected to ensure that the dryer is properly grounded.

W001R1

NOTE: When replacing motor, motor switch should be at 10 o'clock position. The positioning tab on the motor should be engaged with the anti-rotating notch in the motor bracket.

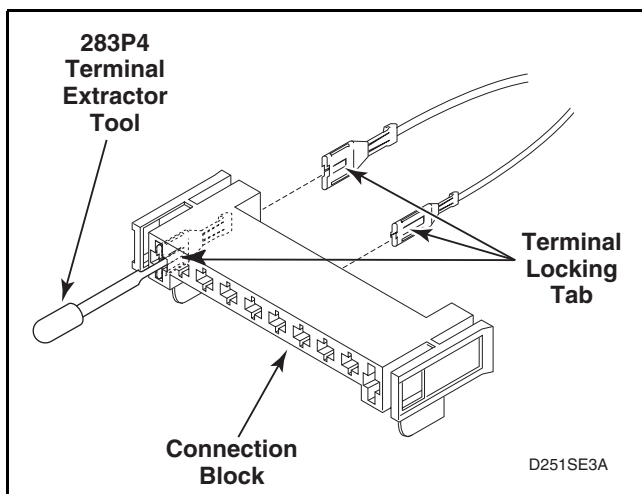


Figure 29

o. Motor Connection Block Terminals

Remove terminals from the motor wire harness connection block using No. 283P4 Terminal Extractor Tool as follows:

- (1) Insert the tool into the block on the back of the terminal being removed. Refer to *Figure 29*.
- (2) Apply tool pressure to compress the terminal locking tab on terminal and force the terminal and wire out back side of connection block. Refer to *Figure 29*.

To install terminal in connection block, insert terminal (with wire securely crimped in place) into back side of connection block. Push terminal into connection block until locking tab on terminal spreads and holds terminal in place.



WARNING

To reduce the risk of electric shock, fire, explosion, serious injury or death:

- Disconnect electric power to the dryer(s) before servicing.
- Close gas shut-off valve to gas dryer(s) before servicing.
- Never start the dryer(s) with any guards/panels removed.
- Whenever ground wires are removed during servicing, these ground wires must be reconnected to ensure that the dryer is properly grounded.

W001R1

50. FRONT BULKHEAD ASSEMBLY

- While supporting the access panel, remove two screws from bottom edge of access panel. Refer to *Figure 8*.
- Gently lower the access panel to disengage locators from bottom edge of front panel. Refer to *Figure 17*. Remove access panel.
- Remove two screws holding bottom tabs on front panel to dryer side panels. Refer to *Figure 9*. Swing bottom of front panel away from dryer far enough to disengage hold-down clips and locators from cabinet top.
- Disconnect wires from door switch. Refer to *Figure 16*. Remove front panel.

NOTE: Refer to wiring diagram when rewiring switch.

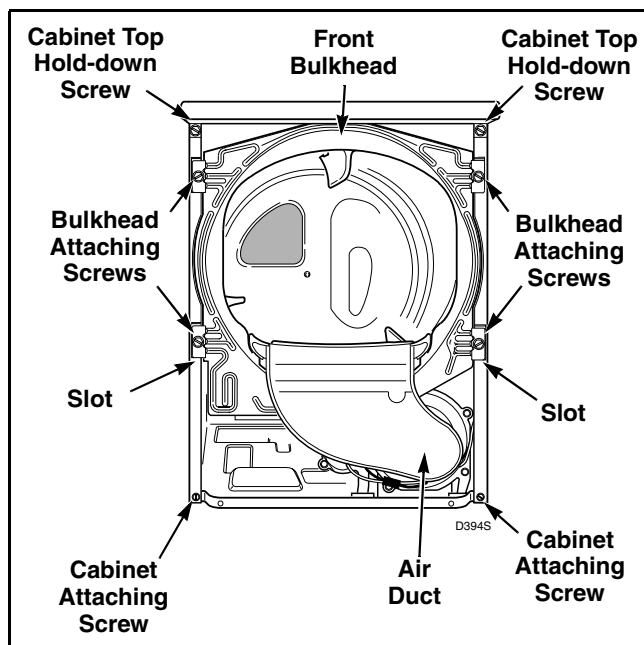


Figure 30

- Disengage belt from motor and idler pulley. Refer to *Figure 25*.
- Models with Cylinder Light** – Disconnect wires from light receptacle terminals.



WARNING

To reduce the risk of serious injury or death by carbon monoxide and other gases in gas dryers, carefully read and follow all instructions given in this section.

W005

- Models with Cylinder Light** – Disconnect wire clip from front bulkhead.
- Remove four screws holding bulkhead to front flange of cabinet and lift complete bulkhead assembly out of slots in cabinet. Refer to *Figure 30*.
- Remove air duct assembly.

IMPORTANT: When reassembling, be sure seal on blower fan cover makes airtight seal on flange of duct. Refer to *Figure 22*. If the seal is installed improperly, the airflow through the exhaust system will be restricted which can adversely affect dryer performance.

- Cylinder Glides and Glide Bracket.** Refer to *Figure 31*.
 - Unsnap glide from each glide bracket.
 - Remove screws holding glide bracket to front bulkhead.

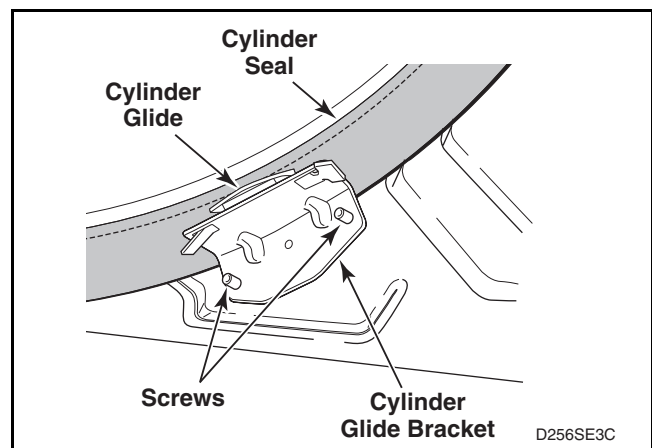


Figure 31



WARNING

To reduce the risk of electric shock, fire, explosion, serious injury or death:

- Disconnect electric power to the dryer(s) before servicing.
- Close gas shut-off valve to gas dryer(s) before servicing.
- Never start the dryer(s) with any guards/panels removed.
- Whenever ground wires are removed during servicing, these ground wires must be reconnected to ensure that the dryer is properly grounded.

W001R1

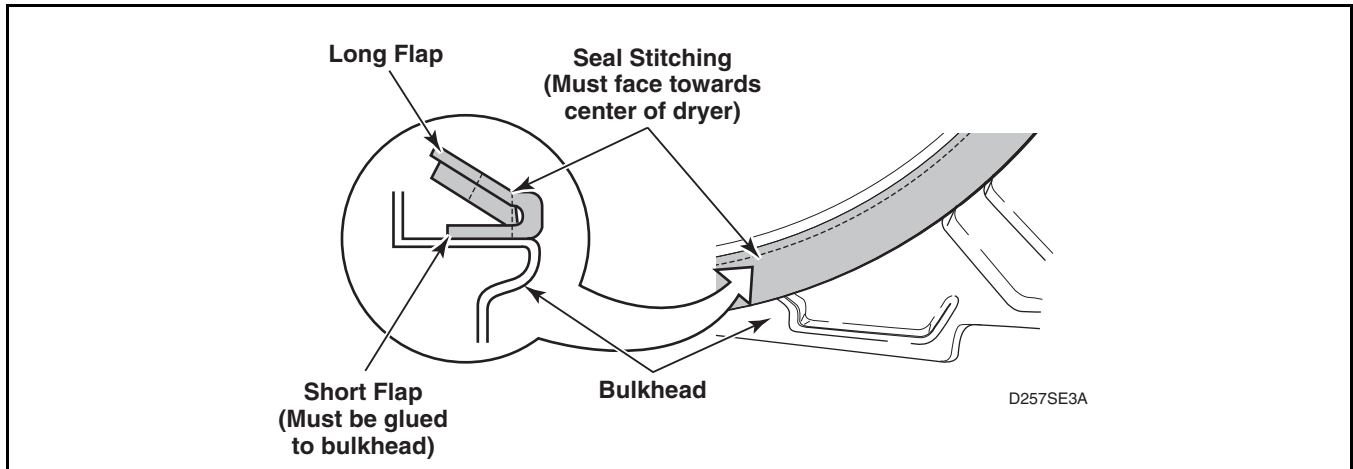


Figure 32

k. **Front Cylinder Seal.** Refer to *Figure 32*.

When installing the cylinder seal, it is important to remember these two steps:

- (1) The stitching on the seal must face towards center of dryer.
- (2) The short flap must be glued to the bulkhead and the long flap left loose.

IMPORTANT: The replacement seal can be adhered to the bulkhead using No. 22506P Sealant. This is accomplished by applying a bead of sealant around the entire flanged area where the felt seal contacts the bulkhead.



WARNING

To reduce the risk of electric shock, fire, explosion, serious injury or death:

- Disconnect electric power to the dryer(s) before servicing.
- Close gas shut-off valve to gas dryer(s) before servicing.
- Never start the dryer(s) with any guards/panels removed.
- Whenever ground wires are removed during servicing, these ground wires must be reconnected to ensure that the dryer is properly grounded.

W001R1

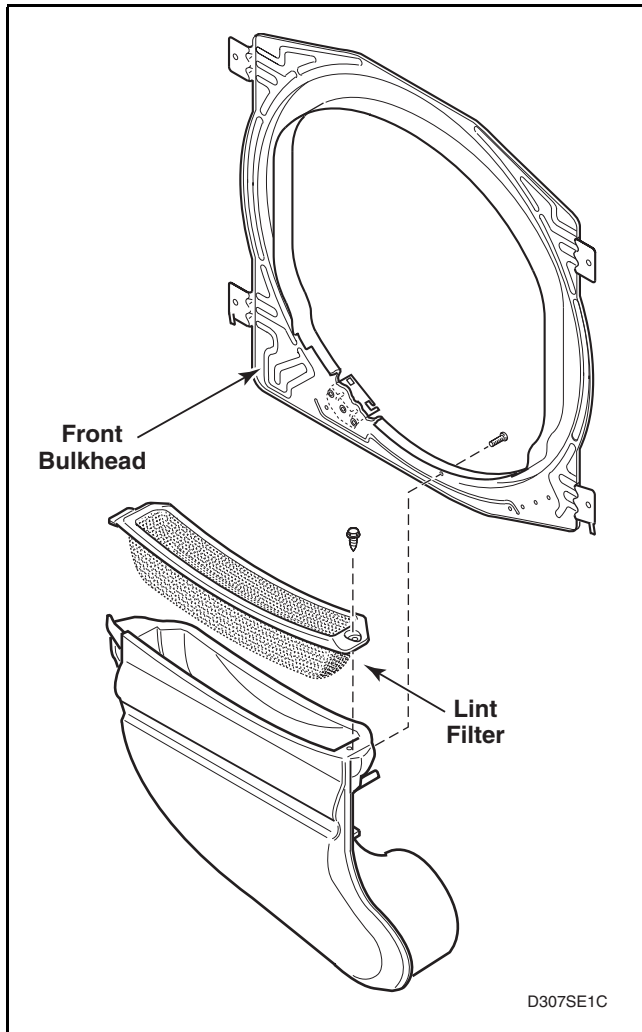


Figure 33

51. CYLINDER BELT

- a. While supporting the access panel, remove two screws from bottom edge of access panel. Refer to *Figure 8*.
- b. Gently lower the access panel to disengage locators from bottom edge of front panel. Refer to *Figure 17*.

- c. Remove two screws holding bottom tabs on front panel to dryer side panels. Refer to *Figure 9*. Swing bottom of front panel away from dryer far enough to disengage hold-down clips and locators from cabinet top.
- d. Disconnect wires from door switch. Refer to *Figure 16*.

NOTE: Refer to wiring diagram when rewiring switch.

- e. Disengage belt from motor and idler pulleys. Refer to *Figure 25*.
- f. Remove four screws holding bulkhead to front flange of cabinet. Then, lift complete bulkhead assembly out of slots in cabinet. Refer to *Figure 30*.



WARNING

To reduce the risk of serious injury or death by carbon monoxide and other gases in gas dryers, carefully read and follow all instructions given in this section.

W005

IMPORTANT: When reassembling, be sure seal on blower fan cover makes airtight seal on flange of duct. Refer to *Figure 22*. If the seal is installed improperly, the airflow through the exhaust system will be restricted which can adversely affect dryer performance.

- g. While supporting cylinder, carefully remove belt from cylinder.

NOTE: When reinstalling belt, be sure belt is properly installed on motor and idler pulleys, and is on the correct side of the idler lever. Refer to *Figure 25*. Belt must be positioned around center section of cylinder approximately three inches ahead of rear rib on cylinder. Refer to *Figure 34*. After installing belt, manually rotate cylinder counterclockwise to check that belt is properly aligned.



WARNING

To reduce the risk of electric shock, fire, explosion, serious injury or death:

- Disconnect electric power to the dryer(s) before servicing.
- Close gas shut-off valve to gas dryer(s) before servicing.
- Never start the dryer(s) with any guards/panels removed.
- Whenever ground wires are removed during servicing, these ground wires must be reconnected to ensure that the dryer is properly grounded.

W001R1

52. CYLINDER ASSEMBLY

- a. While supporting the access panel, remove two screws from bottom edge of access panel. Refer to *Figure 8*.
- b. Gently lower the access panel to disengage locators from bottom edge of front panel. Refer to *Figure 17*.
- c. Remove two screws holding bottom tabs on front panel to dryer side panels. Refer to *Figure 9*. Swing bottom of front panel away from dryer far enough to disengage hold-down clips and locators from cabinet top.
- d. Disconnect wires from door switch. Refer to *Figure 16*.

NOTE: Refer to wiring diagram when rewiring switch.

- e. Disengage belt from motor and idler pulleys. Refer to *Figure 25*.

NOTE: When reinstalling belt, be sure belt is properly installed on motor and idler pulleys, and is on the correct side of the idler lever. Refer to *Figure 25*. Belt must be positioned around center section of cylinder approximately three inches ahead of rear rib on cylinder, with the ribbed surface of the belt against the cylinder. Refer to *Figure 34*. After installing belt, manually rotate cylinder counterclockwise to check that belt is properly aligned.

- f. Remove four screws holding bulkhead to front flange of cabinet. Then lift complete bulkhead assembly out of slots in cabinet. Refer to *Figure 30*.

IMPORTANT: When reassembling, be sure seal on blower fan cover makes airtight seal on flange of duct. Refer to *Figure 22*. If the seal is installed improperly, the airflow through the exhaust system will be restricted which can adversely affect dryer performance.

- g. Remove two cabinet top hold-down screws. Refer to *Figure 30*.
- h. Carefully remove cylinder out through front of dryer.
- i. Baffles – Remove screws holding baffles to cylinder. Refer to *Figure 34*.

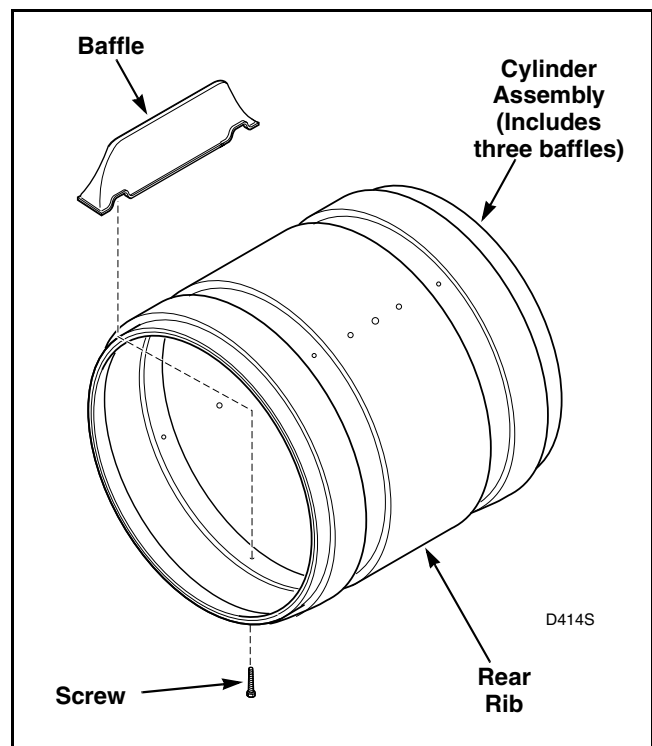


Figure 34



WARNING

To reduce the risk of serious injury or death by carbon monoxide and other gases in gas dryers, carefully read and follow all instructions given in this section.

W005



WARNING

To reduce the risk of electric shock, fire, explosion, serious injury or death:

- Disconnect electric power to the dryer(s) before servicing.
- Close gas shut-off valve to gas dryer(s) before servicing.
- Never start the dryer(s) with any guards/panels removed.
- Whenever ground wires are removed during servicing, these ground wires must be reconnected to ensure that the dryer is properly grounded.

W001R1

53. REAR SEAL

- a. While supporting the access panel, remove two screws from bottom edge of access panel. Refer to *Figure 8*.
- b. Gently lower the access panel to disengage locators from bottom edge of front panel. Refer to *Figure 17*.
- c. Remove two screws holding bottom tabs on front panel to dryer side panels. Refer to *Figure 9*. Swing bottom of front panel away from dryer far enough to disengage hold-down clips and locators from cabinet top.
- d. Disconnect wires from door switch. Refer to *Figure 16*.

NOTE: Refer to wiring diagram when rewiring switch.

- e. Remove two cabinet top hold-down screws. Refer to *Figure 30*.
- f. Lift cabinet top to a vertical position by hinging it on the rear hold-down brackets.

NOTE: Cabinet top may be raised and hinged on the rear hold-down brackets, or supported against wall behind the dryer.

- g. Disengage belt from motor and idler pulleys. Refer to *Figure 25*.

NOTE: When reinstalling belt, be sure belt is properly installed on motor and idler pulleys and is on the correct side of the idler pulleys. Refer to *Figure 25*. Belt must be positioned around center section of cylinder approximately three inches ahead of rear rib on cylinder with the ribbed surface of the belt against cylinder. Refer to *Figure 34*. After installing belt, manually rotate cylinder counterclockwise to check that belt is properly aligned.

- h. Remove four screws holding bulkhead to front flange of cabinet. Then, lift complete bulkhead assembly out of slots in cabinet. Refer to *Figure 30*.



WARNING

To reduce the risk of serious injury or death by carbon monoxide and other gases in gas dryers, carefully read and follow all instructions given in this section.

W005

IMPORTANT: When reassembling, be sure seal on blower fan cover makes airtight seal on flange of duct. Refer to *Figure 22*. If the seal is installed improperly, the airflow through the exhaust system will be restricted which can adversely affect dryer performance.

- i. Manually rotate cylinder until one of the baffles is at the 6 o'clock position and carefully remove cylinder out through front of dryer.
- j. Pull rear cylinder seal from flanged edge of bulkhead. Refer to *Figure 35*.

NOTE: When installing the cylinder seal, it is important to remember these two important steps:

- (1) The stitching on the seal must face towards the dryer center. Refer to *Figure 32*.
- (2) The short flap, shown in *Figure 32*, must be glued to the bulkhead and the long flap left loose.

IMPORTANT: The seal can be adhered to the bulkhead using replacement sealant No. 22506P. This is accomplished by applying a bead of sealant around the entire flanged area where the felt seal contacts the bulkhead.

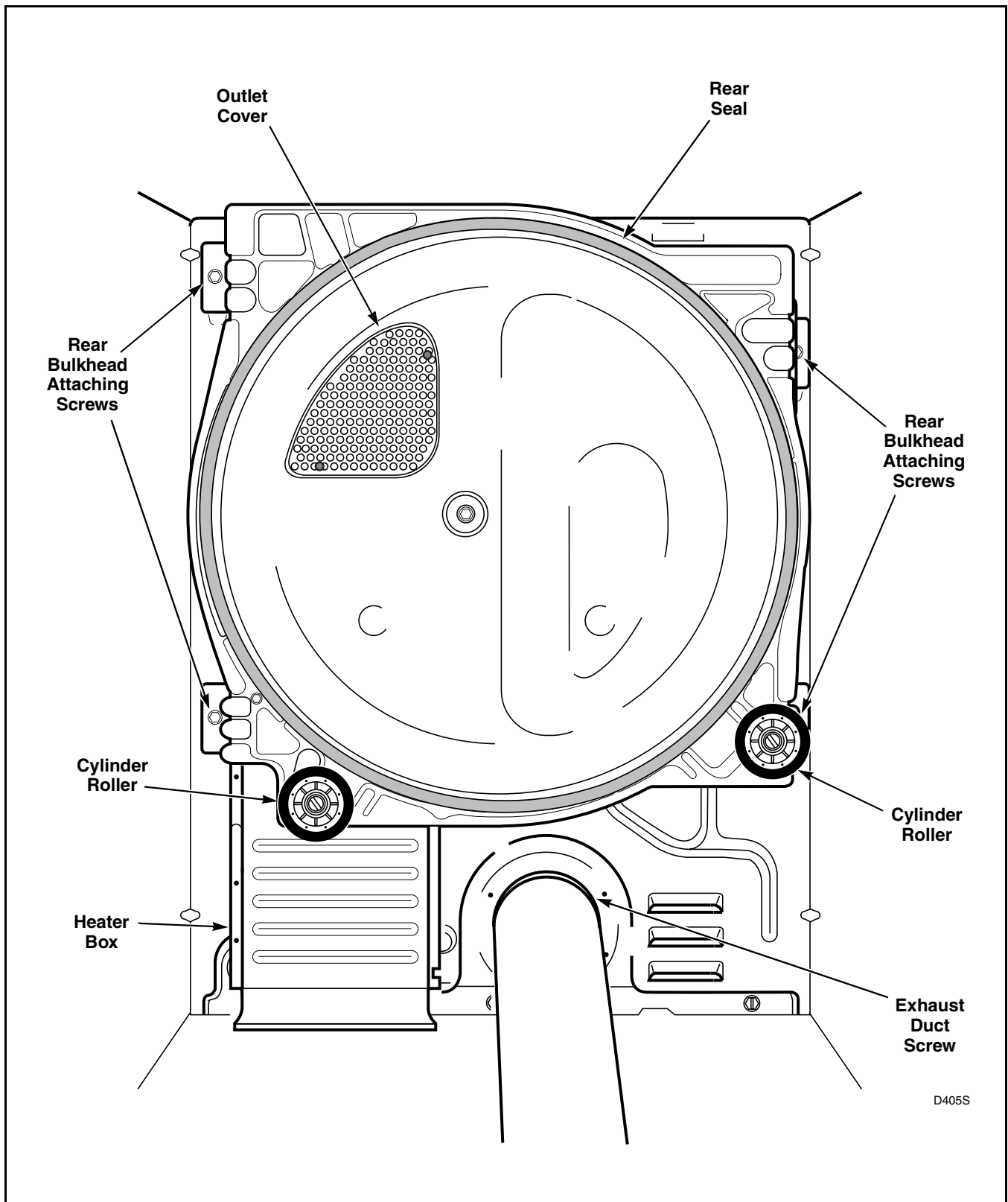


Figure 35



WARNING

To reduce the risk of electric shock, fire, explosion, serious injury or death:

- Disconnect electric power to the dryer(s) before servicing.
- Close gas shut-off valve to gas dryer(s) before servicing.
- Never start the dryer(s) with any guards/panels removed.
- Whenever ground wires are removed during servicing, these ground wires must be reconnected to ensure that the dryer is properly grounded.

W001R1

54. CYLINDER ROLLERS

- While supporting the access panel, remove two screws from bottom edge of access panel. Refer to *Figure 8*.
- Gently lower the access panel to disengage panel locators from bottom edge of front panel. Refer to *Figure 17*.
- Remove two screws holding bottom tabs on front panel to dryer side panels. Refer to *Figure 9*. Swing bottom of front panel away from dryer far enough to disengage hold-down clips and locators from cabinet top.
- Disconnect wires from door switch. Refer to *Figure 16*.

NOTE: Refer to wiring diagram when rewiring switch.

- Disengage belt from motor and idler pulleys. Refer to *Figure 25*.
- Remove four screws holding bulkhead to front flange of cabinet. Then lift complete bulkhead assembly out of slots in cabinet. Refer to *Figure 30*.



WARNING

To reduce the risk of serious injury or death by carbon monoxide and other gases in gas dryers, carefully read and follow all instructions given in this section.

W005

IMPORTANT: When reassembling, be sure seal on blower fan cover makes airtight seal on flange of duct. Refer to *Figure 22*. If the seal is installed improperly, the airflow through the exhaust system will be restricted which can adversely affect dryer performance.

- Pull cylinder forward allowing rear of cylinder to drop down exposing rollers. Refer to *Figure 36*.
- Refer to *Figure 36* for removal of roller from bulkhead.

NOTE: When replacing the cylinder roller, it is important that cylinder roller is installed with the flanged surface of the roller bearing facing towards the front of the dryer.

55. OUTLET COVER

- Open door and remove two screws holding outlet cover to rear bulkhead. Refer to *Figure 35*.

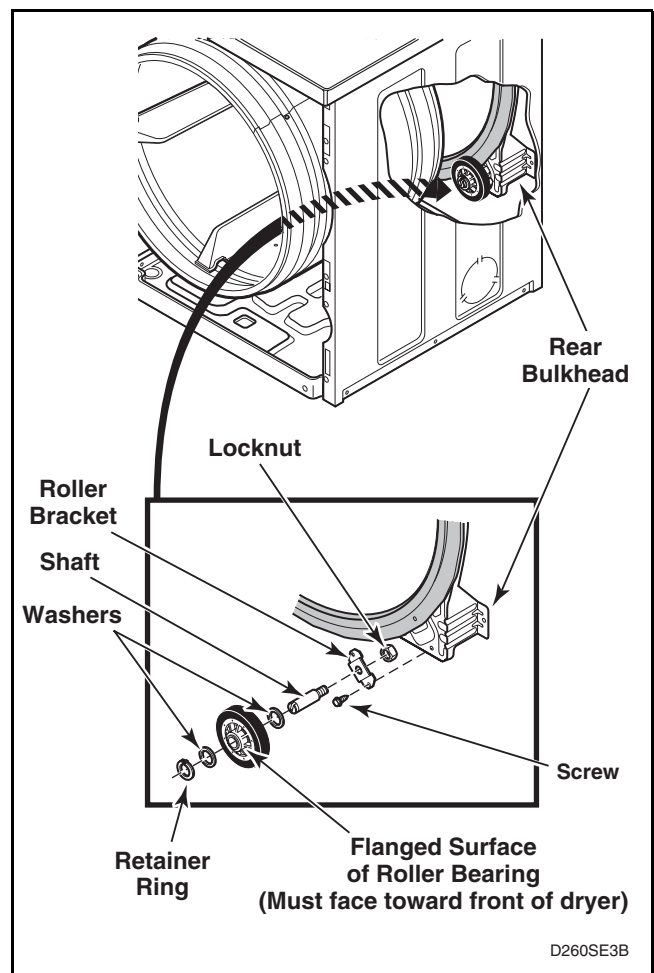


Figure 36

D260SE3B



WARNING

To reduce the risk of electric shock, fire, explosion, serious injury or death:

- Disconnect electric power to the dryer(s) before servicing.
- Close gas shut-off valve to gas dryer(s) before servicing.
- Never start the dryer(s) with any guards/panels removed.
- Whenever ground wires are removed during servicing, these ground wires must be reconnected to ensure that the dryer is properly grounded.

W001R1

56. REAR BULKHEAD AND HEATER DUCT

- a. While supporting the access panel, remove two screws from bottom edge of access panel. Refer to *Figure 8*.
- b. Gently lower the access panel to disengage panel locators from bottom edge of front panel. Refer to *Figure 17*.
- c. Remove two screws from bottom tabs on front panel. Refer to *Figure 9*. Swing bottom of front panel away from dryer far enough to disengage hold-down clips and locators from cabinet top.
- d. Disconnect wires from door switch. Refer to *Figure 16*.

NOTE: Refer to wiring diagram when rewiring switch.

- e. Disengage belt from motor and idler pulleys. Refer to *Figure 25*.

NOTE: When reinstalling belt, be sure belt is properly installed on motor and idler pulleys and is on the correct side of the idler pulleys. Refer to *Figure 25*. Belt must be positioned around cylinder approximately three inches ahead of rear rib on cylinder with the ribbed surface of the belt against the cylinder. Refer to *Figure 34*. After installing belt, manually rotate cylinder counterclockwise to check that belt is properly aligned.

- f. Remove four screws holding bulkhead to front flange of cabinet. Then lift complete bulkhead assembly out of slots in cabinet. Refer to *Figure 30*.



WARNING

To reduce the risk of serious injury or death by carbon monoxide and other gases in gas dryers, carefully read and follow all instructions given in this section.

W005

IMPORTANT: When reassembling, be sure seal on blower fan cover makes airtight seal on flange of duct. Refer to *Figure 22*. If the seal is installed improperly, the airflow through the exhaust system will be restricted which can adversely affect dryer performance.

- g. Remove two cabinet top hold-down screws. Refer to *Figure 30*.
- h. Carefully remove cylinder out through front of dryer.
- i. **Gas Models:**
 - (1) Disconnect igniter wires at disconnect blocks, sensor wires from sensor terminals, and wires from gas valve coils at the quick disconnect blocks. Refer to *Figure 19*.
 - (2) Remove burner tube attaching screw from right side of burner housing, while holding burner tube in place. Refer to *Figure 21*.
 - (3) Gently move burner tube toward rear of dryer to disengage tab from slot on left side of burner housing. Refer to *Figure 20*.
 - (4) Carefully rotate burner tube and igniter **counterclockwise** so tab is at the 8 o'clock position.
 - (5) Move air shutter end of burner tube slightly to right and **CAREFULLY** remove burner tube and igniter assembly out through front of dryer. Refer to *Figure 20*.

IMPORTANT: The igniter is very fragile. Be careful not to damage it during removal.

- (6) Remove screw holding burner housing to heat shroud. Refer to *Figure 19*.
- (7) Remove screw holding front of burner housing to dryer base and remove housing out through front of dryer. Refer to *Figure 21*.
- (8) Remove two screws holding shroud to heater box, and remove shroud out through front of dryer. Refer to *Figure 19*.



WARNING

To reduce the risk of electric shock, fire, explosion, serious injury or death:

- Disconnect electric power to the dryer(s) before servicing.
- Close gas shut-off valve to gas dryer(s) before servicing.
- Never start the dryer(s) with any guards/panels removed.
- Whenever ground wires are removed during servicing, these ground wires must be reconnected to ensure that the dryer is properly grounded.

W001R1

j. Electric Models:

- (1) Remove two screws holding element and plate to heater box, then pull element down and away from heater box. Refer to *Figure 21*.
- (2) Remove all wires from terminal block. (Refer to appropriate wiring diagram when rewiring terminal block.)

- (3) Remove screw holding terminal block to rear bulkhead. Refer to *Figure 38*.

- k. While supporting bulkhead, remove the four screws holding rear bulkhead to dryer cabinet, then lift complete assembly out of dryer. Refer to *Figure 35*.

- l. Remove heater duct from rear bulkhead. Refer to *Figure 37*.

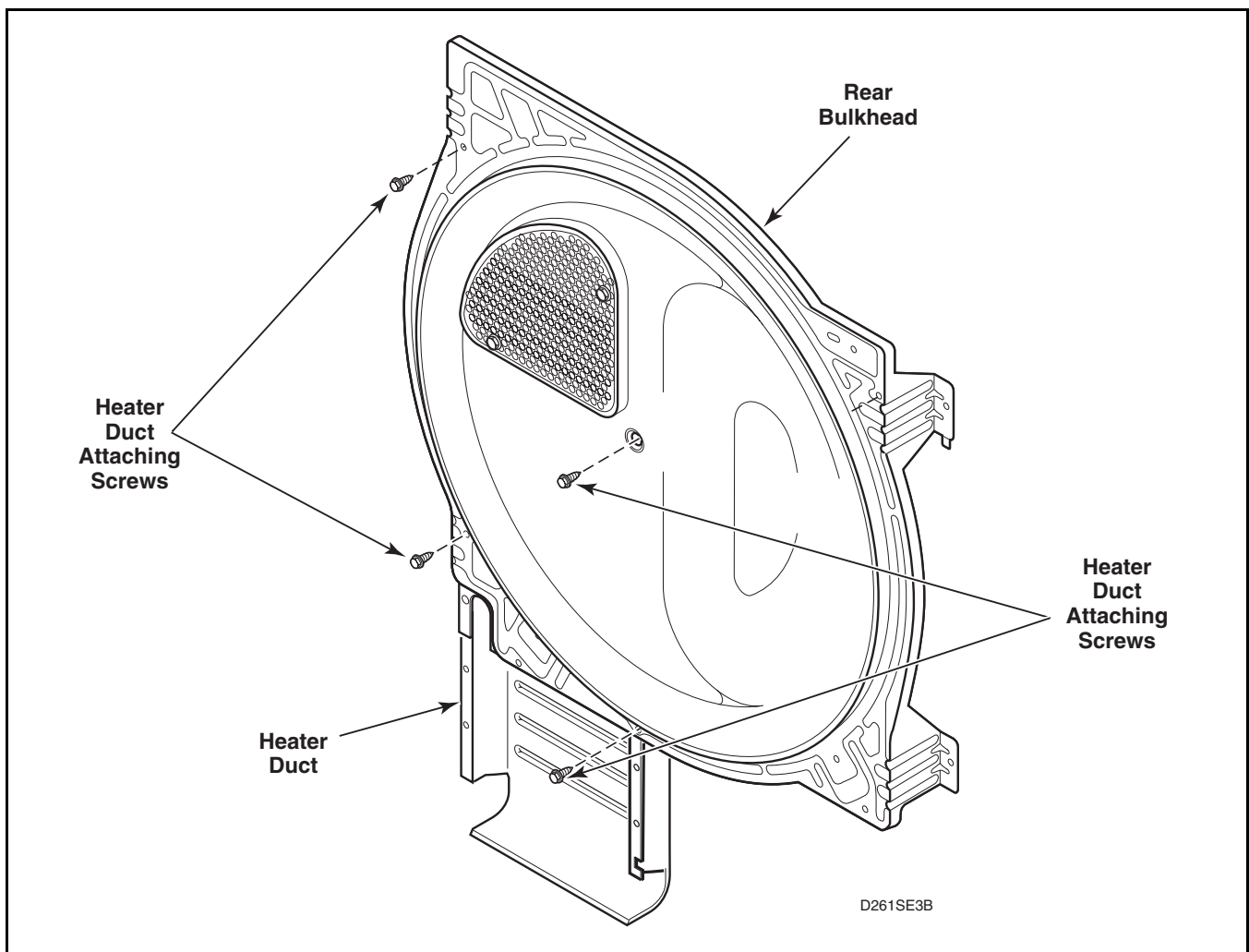


Figure 37



WARNING

To reduce the risk of electric shock, fire, explosion, serious injury or death:

- Disconnect electric power to the dryer(s) before servicing.
- Close gas shut-off valve to gas dryer(s) before servicing.
- Never start the dryer(s) with any guards/panels removed.
- Whenever ground wires are removed during servicing, these ground wires must be reconnected to ensure that the dryer is properly grounded.

W001R1

57. TERMINAL BLOCK OR POWER CORD

a. Terminal Block:

- (1) While supporting the access panel, remove two screws from bottom edge of access panel. Refer to *Figure 8*.
- (2) Gently lower the access panel to disengage locators from bottom edge of front panel. Refer to *Figure 17*.
- (3) Remove two screws holding bottom tabs on front panel to dryer side panels. Refer to *Figure 9*. Swing bottom of front panel away from dryer far enough to disengage hold-down clips and locators from cabinet top.
- (4) Disconnect wires from door switch. Refer to *Figure 16*.

NOTE: Refer to wiring diagram when rewiring switch.

- (5) Remove two cabinet top hold-down screws. Refer to *Figure 10*.
- (6) Lift cabinet top to a vertical position by hinging it on the rear hold-down brackets. Refer to *Figure 11*.

NOTE: When servicing, cabinet top may be raised and hinged on the rear hold-down brackets, or supported against wall behind the dryer.

- (7) Remove all wires from terminal block.

NOTE: Refer to wiring diagram when rewiring terminal block.

- (8) Remove screw holding terminal block to rear bulkhead. Refer to *Figure 38*.

NOTE: Do not let terminal block insulation drop when removing the block. Insulation must be in place when reinstalling block.

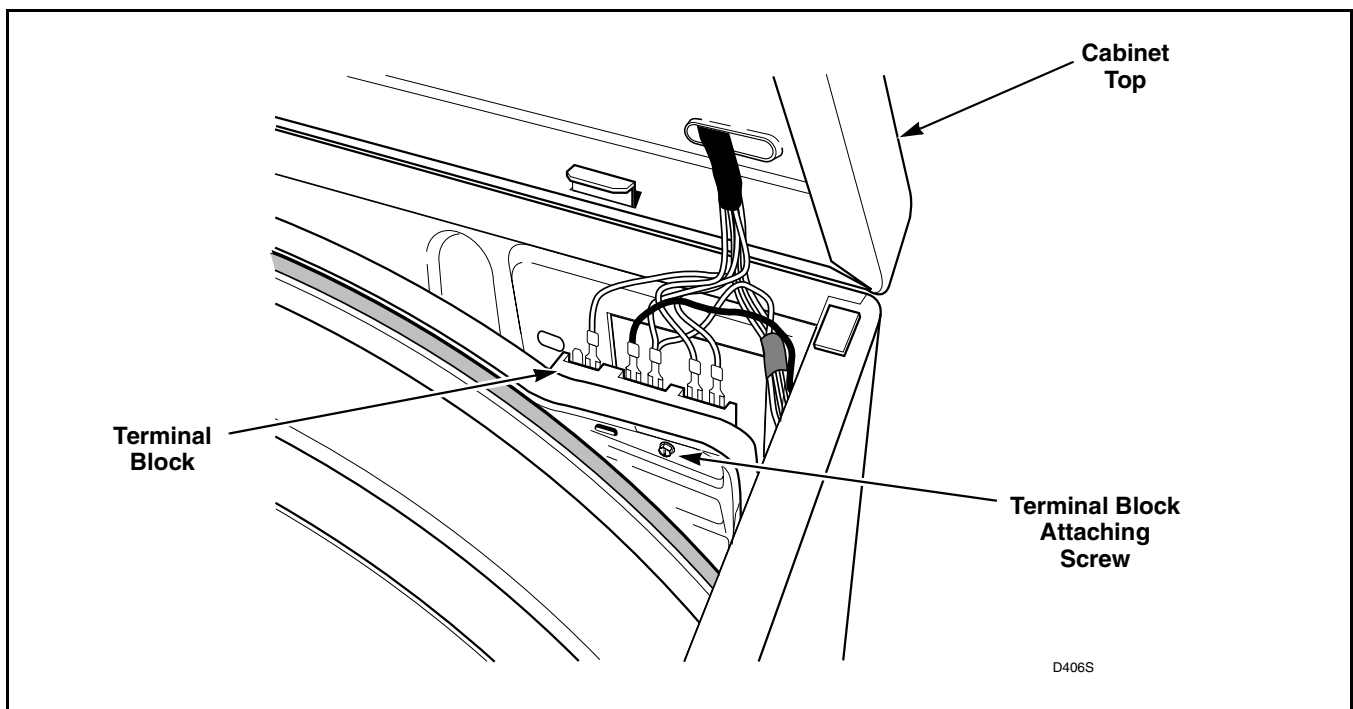


Figure 38



WARNING

To reduce the risk of electric shock, fire, explosion, serious injury or death:

- Disconnect electric power to the dryer(s) before servicing.
- Close gas shut-off valve to gas dryer(s) before servicing.
- Never start the dryer(s) with any guards/panels removed.
- Whenever ground wires are removed during servicing, these ground wires must be reconnected to ensure that the dryer is properly grounded.

W001R1

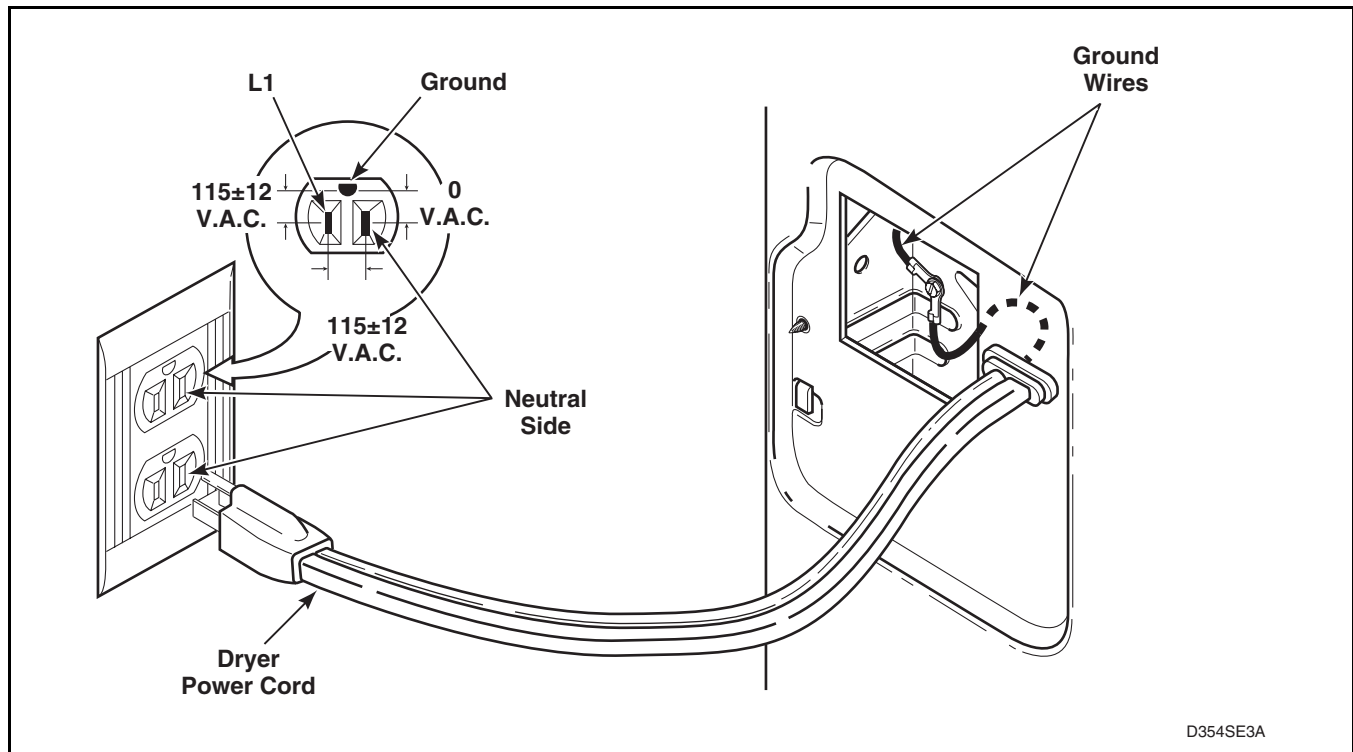
b. Power Cord (Gas Models Only):

- (1) Remove access plate on rear of cabinet.
- (2) Remove strain relief.
- (3) Remove screw holding power cord ground wire to rear bulkhead. Refer to *Figure 39*.

- (4) Disconnect molar plug and remove power cord from rear of dryer cabinet.

NOTE: A qualified electrician should check the polarity of the wall receptacle. If a voltage reading is measured other than that illustrated, the qualified electrician should correct the problem.

NOTE: Reinstall screw and ground wires into same hole in bulkhead when reinstalling power cord.



D354SE3A

Figure 39



WARNING

To reduce the risk of electric shock, fire, explosion, serious injury or death:

- Disconnect electric power to the dryer(s) before servicing.
- Close gas shut-off valve to gas dryer(s) before servicing.
- Never start the dryer(s) with any guards/panels removed.
- Whenever ground wires are removed during servicing, these ground wires must be reconnected to ensure that the dryer is properly grounded.

W001R1

58. CABINET

a. Side Panels:

- (1) While supporting the access panel, remove two screws from bottom edge of access panel. Refer to *Figure 8*.
- (2) Gently lower the access panel to disengage locators from bottom edge of front panel. Refer to *Figure 17*.
- (3) Remove two screws holding bottom tabs on front panel to dryer side panels. Refer to *Figure 9*. Swing bottom of front panel away from dryer far enough to disengage hold-down clips and locators from cabinet top.
- (4) Disconnect wires from door switch. Refer to *Figure 16*.

NOTE: Refer to wiring diagram when rewiring control panel components.

- (5) Remove front panel.
- (6) Disengage belt from motor and idler pulleys. Refer to *Figure 25*.

NOTE: When reinstalling belt, be sure belt is properly installed on motor and idler pulleys and is on the correct side of the idler lever. Refer to *Figure 25*. Belt must be positioned around center section of cylinder approximately three inches ahead of rear rib on cylinder with the ribbed surface of the belt against the cylinder. Refer to *Figure 34*. After installing belt, manually rotate cylinder counterclockwise to check that belt is properly aligned.

- (7) **Models with Cylinder Light** – Disconnect wires from light receptacle terminals.
- (8) **Models with Cylinder Light** – Disconnect wire clip from front bulkhead.
- (9) Remove four screws holding front bulkhead to dryer. Refer to *Figure 35*. Remove front bulkhead.

NOTE: Air duct can remain attached to front bulkhead.

- (10) Remove two cabinet top hold-down screws. Refer to *Figure 10*.
- (11) Lift cabinet top to a vertical position by hinging it on the rear hold-down brackets. Refer to *Figure 11*.

NOTE: When servicing, cabinet top may be raised and hinged on the rear hold-down brackets or supported against wall behind dryer.

NOTE: Retainer clips hold the wire harness to the side panel of the dryer. Remove these before attempting to withdraw wire harness.

- (12) Carefully withdraw wire harness through hole in cabinet top and lift the top off the rear hold-down brackets.
- (13) Set cabinet top aside.
- (14) Remove nine screws holding side panel (left or right) to dryer. Refer to *Figure 40*. Remove side panel.

b. Back Panel:

- (1) While supporting the access panel, remove two screws from bottom edge of access panel. Refer to *Figure 8*.
- (2) Gently lower the access panel to disengage locators from bottom edge of front panel. Refer to *Figure 17*.
- (3) Remove two screws holding bottom tabs on front panel to dryer side panels. Refer to *Figure 17*. Swing bottom of front panel away from dryer far enough to disengage hold-down clips and locators from cabinet top.
- (4) Disconnect wires from door switch. Refer to *Figure 16*.

NOTE: Refer to wiring diagram when rewiring control panel components.

- (5) Remove front panel.
- (6) Remove two cabinet top hold-down screws. Refer to *Figure 10*.



WARNING

To reduce the risk of electric shock, fire, explosion, serious injury or death:

- Disconnect electric power to the dryer(s) before servicing.
- Close gas shut-off valve to gas dryer(s) before servicing.
- Never start the dryer(s) with any guards/panels removed.
- Whenever ground wires are removed during servicing, these ground wires must be reconnected to ensure that the dryer is properly grounded.

W001R1

- (7) Lift cabinet top to a vertical position by hinging it on the rear hold-down brackets. Refer to *Figure 11*.

NOTE: When servicing, cabinet top may be raised and hinged on the rear hold-down brackets or supported against wall behind dryer.

- (8) Carefully withdraw wire harness through hole in cabinet top and lift the top off the rear hold-down brackets.

NOTE: Retainer clips hold the wire harness to the side panel of the dryer. Remove these before attempting to withdraw wire harness.

- (9) Set cabinet top aside.
 (10) Disengage belt from motor and idler pulleys. Refer to *Figure 25*.

NOTE: When reinstalling belt, be sure belt is properly installed on motor and idler pulleys and is on the correct side of the idler lever. Refer to *Figure 25*. Belt must be positioned around center section of cylinder approximately three inches ahead of rear rib on cylinder with the ribbed surface of the belt against the cylinder. Refer to *Figure 34*. After installing belt, manually rotate cylinder counterclockwise to check that belt is properly aligned.

- (11) Remove four screws holding front bulkhead to dryer. Refer to *Figure 30*.
 (a) Remove front bulkhead.
 (b) Remove cylinder.

NOTE: When reassembling the front bulkhead to the cabinet, hold glides in position with finger tips on the edges of glides. Once bulkhead is in place, inspect the glide position with a mirror to ensure the glides are aligned with the cylinder, making sure the tabs are visible. Refer to *Figure 31*.



WARNING

To reduce the risk of serious injury or death by carbon monoxide and other gases in gas dryers, carefully read and follow all instructions given in this section.

W005

IMPORTANT: During reinstallation of front bulkhead, be sure that air duct is properly positioned with flange inside the seal on blower fan cover. Refer to *Figure 22*. If the duct or seal is installed improperly, the airflow through the dryer will be reduced which can cause fire and dryer malfunction.

- (12) **For Gas Models:**
- (a) Disconnect igniter wires at disconnect blocks, sensor wires from sensor terminals, and wires from gas valve coils at the quick disconnect blocks. Refer to *Figure 19*.
 - (b) Remove screw from right side of burner housing holding burner tube in place. Refer to *Figure 21*.
 - (c) Gently move burner tube toward rear of dryer to disengage tab from slot on left side of burner housing. Refer to *Figure 19*.
 - (d) Carefully rotate burner tube and igniter **counterclockwise** so tab is at the 8 o'clock position.
 - (e) Move air shutter end of burner tube slightly to right and **CAREFULLY** remove burner tube and igniter assembly out through front of dryer.

NOTE: The igniter is very fragile. Be careful not to damage it during removal.

- (f) Remove screw holding burner housing to heat shroud. Refer to *Figure 19*.



WARNING

To reduce the risk of electric shock, fire, explosion, serious injury or death:

- **Disconnect electric power to the dryer(s) before servicing.**
- **Close gas shut-off valve to gas dryer(s) before servicing.**
- **Never start the dryer(s) with any guards/panels removed.**
- **Whenever ground wires are removed during servicing, these ground wires must be reconnected to ensure that the dryer is properly grounded.**

W001R1

- (g) Remove screw holding front of burner housing to dryer base and remove housing out through front of dryer. Refer to *Figure 21*.
- (h) Remove four screws holding shroud to heater box. Remove shroud out through front of dryer. Refer to *Figure 19*.
- (i) While supporting bulkhead, remove screws holding bulkhead to rear of dryer cabinet, and remove assembly out of dryer. Refer to *Figure 35*.
- (j) Remove screw holding exhaust duct to dryer cabinet and pull duct out of cabinet. Refer to *Figure 35*.
- (k) Remove two screws from each rear cabinet top hold-down bracket. Refer to *Figures 10 and 11*.
- (l) Remove screw holding terminal block access plate to rear of dryer cabinet and remove plate.
- (m) Remove wire harness clips.
- (n) Remove locators and screws.

Electric Models:

- (a) Remove two screws holding element and plate to heater box, then pull element down and away from heater box. Refer to *Figure 21*.
- (b) While supporting bulkhead, remove screws holding bulkhead to rear of dryer cabinet, and remove assembly out of dryer. Refer to *Figure 35*.
- (c) Remove screw holding exhaust duct to dryer cabinet and pull duct out of cabinet. Refer to *Figure 35*.
- (d) Remove two screws from each rear cabinet top hold-down bracket. Refer to *Figures 10 and 11*.
- (e) Remove screw holding terminal block access plate to rear of dryer cabinet and remove plate.
- (f) Remove wire harness clips.
- (g) Remove locators and screws.

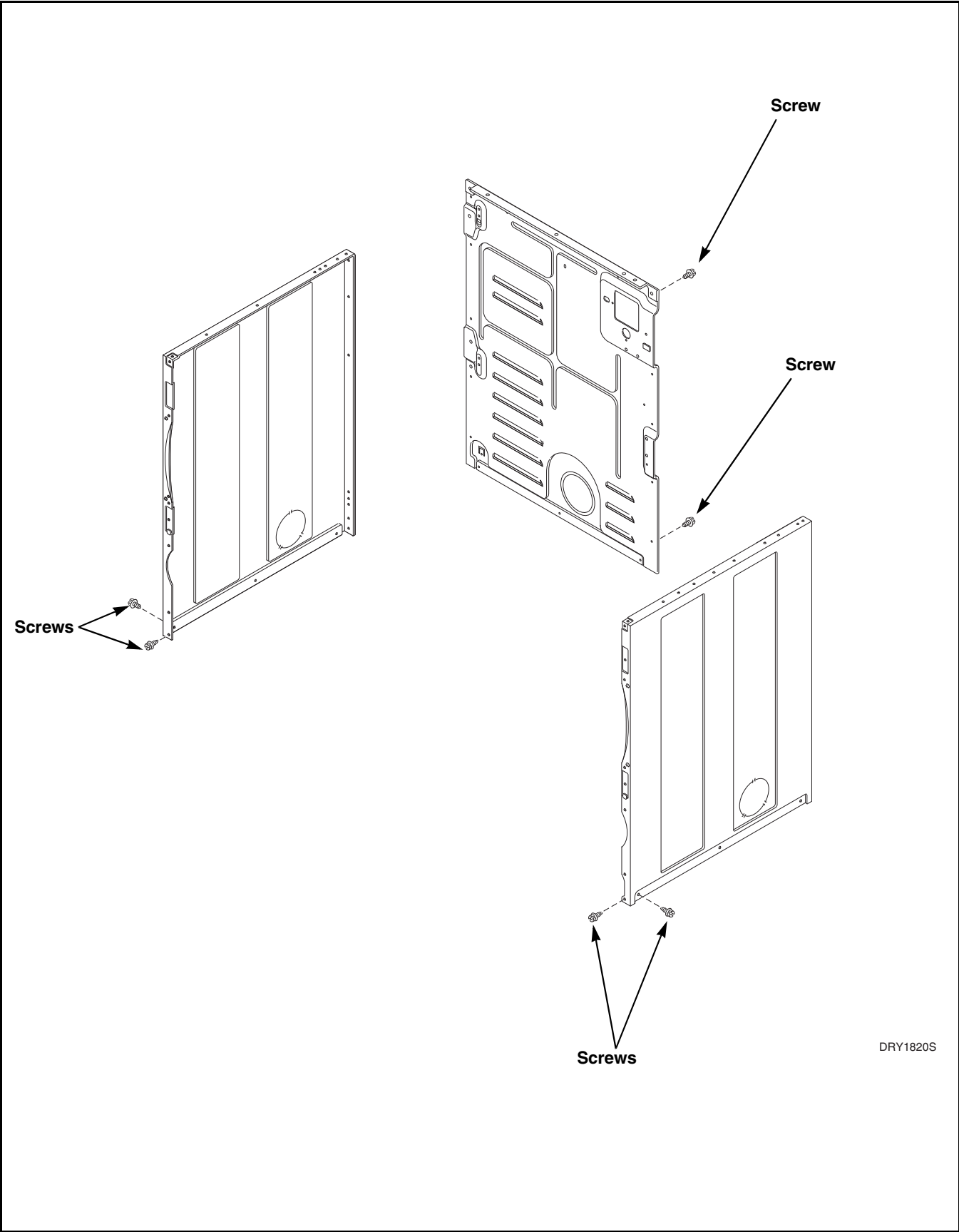
- (13) Remove two cabinet top hold-down screws. Refer to *Figure 10*.

NOTE: When servicing, cabinet top may be raised and hinged on the rear hold-down brackets or supported against wall behind dryer.

- (14) Carefully withdraw wire harness through hole in cabinet top and lift the top off the rear hold-down brackets.

NOTE: Retainer clips hold the wire harness to the side panel of the dryer. Remove these before attempting to withdraw wire harness.

- (15) Set cabinet top aside.
- (16) Remove two screws holding hold-down brackets to back panel. Refer to *Figure 40*.
- (17) Remove 13 screws attaching back panel to dryer. Refer to *Figure 40*. Remove back panel.



DRY1820S

Figure 40



WARNING

To reduce the risk of electric shock, fire, explosion, serious injury or death:

- Disconnect electric power to the dryer(s) before servicing.
- Close gas shut-off valve to gas dryer(s) before servicing.
- Never start the dryer(s) with any guards/panels removed.
- Whenever ground wires are removed during servicing, these ground wires must be reconnected to ensure that the dryer is properly grounded.

W001R1

59. BASE

- a. While supporting the access panel, remove two screws from bottom edge of access panel. Refer to *Figure 8*.
- b. Gently lower the access panel to disengage locators from bottom edge of front panel. Refer to *Figure 17*.
- c. Remove two screws holding bottom tabs on front panel to dryer side panels. Refer to *Figure 17*. Swing bottom of front panel away from dryer far enough to disengage hold-down clips and locators from cabinet top.
- d. Disconnect wires from door switch. Refer to *Figure 16*.

NOTE: Refer to wiring diagram when rewiring switch.



WARNING

To reduce the risk of serious injury or death by carbon monoxide and other gases in gas dryers, carefully read and follow all instructions given in this section.

W005

e. Gas Models:

- (1) Disconnect igniter wires at disconnect blocks, sensor wires from sensor terminals and wires from gas valve coils at the quick disconnect blocks. Refer to *Figure 19*.
- (2) Close main gas shut-off valve. Refer to *Figure 19*.
- (3) Disconnect gas line to dryer.
- (4) Remove three screws holding gas valve bracket to base and remove valve with attached lead-in pipe. Refer to *Figure 21*.
- (5) Remove screw holding burner tube in place from right side of burner housing. Refer to *Figure 21*.
- (6) Gently move burner tube toward rear of dryer to disengage tab from slot on left side of burner housing. Refer to *Figure 19*.

- (7) Carefully rotate burner tube and igniter counterclockwise so tab is at the 8 o'clock position, and CAREFULLY remove burner tube and igniter assembly out through front of dryer.

IMPORTANT: The igniter is very fragile. Be careful not to damage it during removal.

- (8) Remove screw holding front of burner housing to dryer base. Refer to *Figure 21*.
- (9) Remove four screws holding shroud to heater box and remove shroud and burner housing out through front of dryer. Refer to *Figure 19*.

f. Electric Models:

- (1) Remove two screws holding element and plate to heater box, then pull element down and away from heater box. Refer to *Figure 21*.
 - (2) Disconnect wire harness from limit thermostat, thermal fuse and/or heating element. Refer to *Figure 21*.
- g. Open loading door and remove lint filter screw and lint filter. Refer to *Figure 12*.
 - h. Remove screws holding air duct to front bulkhead and remove air duct. Refer to *Figure 23*.

IMPORTANT: When reassembling, be sure seal on blower fan cover makes airtight seal on flange of duct. Refer to *Figure 22*. If the duct or seal is installed improperly, the airflow through the dryer will be reduced which can adversely affect dryer performance.

- i. Disconnect wires from thermostat, and remove ground screw. Refer to *Figure 22*.

NOTE: Refer to wiring diagram when rewiring thermostat.

- j. Remove cylinder belt from idler and motor pulleys. Refer to *Figure 25*.



WARNING

To reduce the risk of electric shock, fire, explosion, serious injury or death:

- Disconnect electric power to the dryer(s) before servicing.
- Close gas shut-off valve to gas dryer(s) before servicing.
- Never start the dryer(s) with any guards/panels removed.
- Whenever ground wires are removed during servicing, these ground wires must be reconnected to ensure that the dryer is properly grounded.

W001R1

- k. Remove two screws holding motor mounting bracket to dryer base. Then pull complete assembly forward to disengage middle exhaust duct.
- l. Rotate the assembly **counterclockwise** 90° and slide out front of machine.
- m. Disconnect wires from motor switch and remove harness clip from motor bracket. Refer to *Figure 26*. Then, set motor and blower assembly off to the side.
- n. Remove screw holding bracket on exhaust duct to rear of cabinet and pull duct out of cabinet. Refer to *Figure 35*.

IMPORTANT: When reinstalling motor and blower assembly, be sure wire harness on right side is clipped to motor mounting bracket and is routed along dryer base (between motor mounting bracket and right side of cabinet). Refer to *Figure 22*. Tab on rear of motor mounting bracket must be slid into slot in dryer base. Be sure the belt has been installed on the correct side of the idler lever. Refer to *Figure 25*.

- o. Remove cabinet per *Paragraph 58*.
- p. Remove leveling legs from base and reinstall on new base. Refer to *Figure 41*.

Section 6 Adjustments



WARNING

To reduce the risk of electric shock, fire, explosion, serious injury or death:

- Disconnect electric power to the dryer(s) before servicing.
- Close gas shut-off valve to gas dryer(s) before servicing.
- Never start the dryer(s) with any guards/panels removed.
- Whenever ground wires are removed during servicing, these ground wires must be reconnected to ensure that the dryer is properly grounded.

W001R1

IMPORTANT: When reference is made to directions (right or left) in this manual, it is from operator's position facing front of washer.

60. LEVELING LEGS

Refer to *Figure 41*.

NOTE: Dryer should be installed on a solid and level floor.

- a. Place dryer in position, adjusting the legs until dryer is level.

NOTE: Legs can be adjusted outside the dryer by using a 1-1/4 inch size wrench, or from inside the dryer (with lower front access panel removed) by using a 1/4 inch drive ratchet with extension.

- b. Keep dryer as close to the floor as possible. All four legs must rest firmly on the floor so weight of the dryer is evenly distributed. The dryer **MUST NOT** rock.

IMPORTANT: **DO NOT** move the dryer at any time unless the dryer is completely assembled. **DO NOT** slide the dryer across the floor once the leveling legs have been extended as the legs and base could become damaged.



WARNING

To reduce the risk of serious injury or death by carbon monoxide and other gases in gas dryers, carefully read and follow all instructions given in this section.

W005

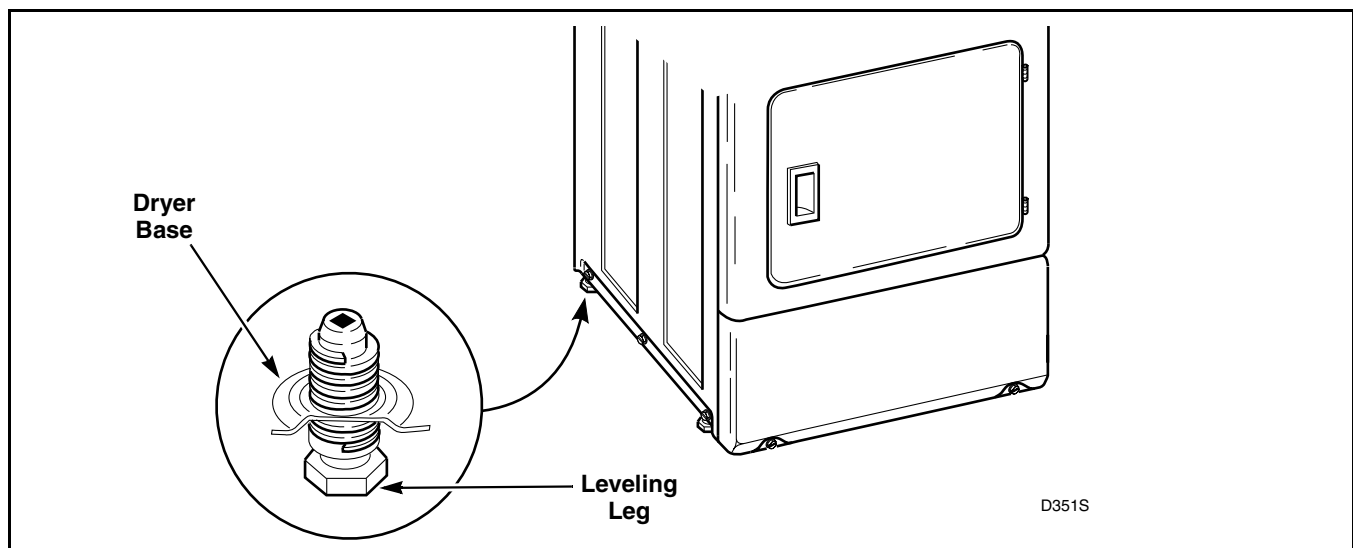


Figure 41



WARNING

To reduce the risk of electric shock, fire, explosion, serious injury or death:

- Disconnect electric power to the dryer(s) before servicing.
- Close gas shut-off valve to gas dryer(s) before servicing.
- Never start the dryer(s) with any guards/panels removed.
- Whenever ground wires are removed during servicing, these ground wires must be reconnected to ensure that the dryer is properly grounded.

W001R1

61. BURNER FLAME (Gas Models)

- a. While supporting the access panel, remove two screws from bottom edge of access panel. Refer to *Figure 8*.
- b. Gently lower the access panel to disengage locators from bottom edge of front panel. Refer to *Figure 17*.
- c. Set timer to 60 minutes.
- d. Close the loading door. Start the dryer in a heat setting (refer to Operating Instructions supplied with the dryer). The dryer will start, the igniter will glow red, and the main burner will ignite.
- e. Allow the dryer to operate for approximately five minutes, then loosen the air shutter lockscrew. Refer to *Figure 42*.
- f. Turn the air shutter to the left to get a luminous yellow tipped flame, then turn it back slowly to the right to obtain a steady blue flame.
- g. After proper flame is obtained, tighten air shutter lockscrew firmly. Refer to *Figure 42*.
- h. Reinstall access panel and screws.



WARNING

To reduce the risk of fire or serious injury, the access panel must be in place during normal operation.

W262

NOTE: After the dryer has operated for approximately three minutes, exhaust air or exhaust pipe should be warm.

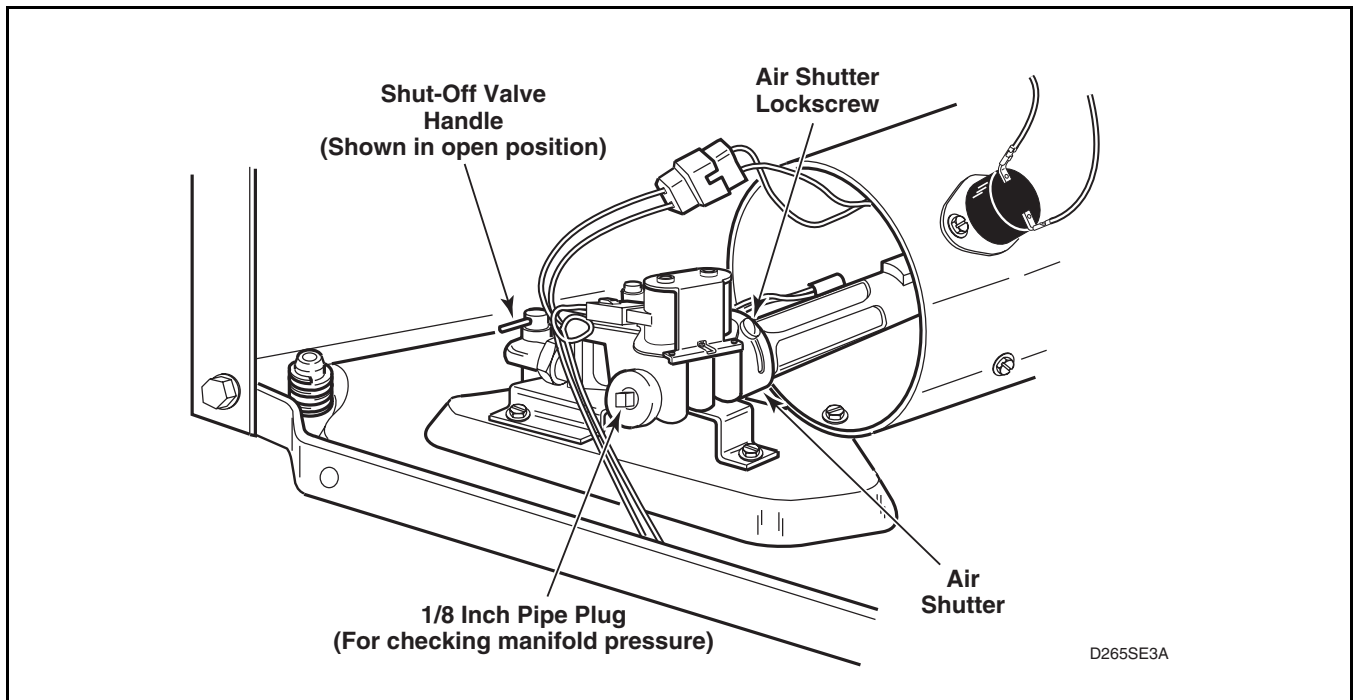


Figure 42

Section 7

Test Procedures



WARNING

To reduce the risk of electric shock, fire, explosion, serious injury or death:

- Disconnect electric power to the dryer(s) before servicing.
- Close gas shut-off valve to gas dryer(s) before servicing.
- Never start the dryer(s) with any guards/panels removed.
- Whenever ground wires are removed during servicing, these ground wires must be reconnected to ensure that the dryer is properly grounded.

W001R1

IMPORTANT: Electrical test procedures in this service manual are performed by using a Volt-Ohm meter. Tests can also be performed using a multi-meter or any other electrical testing equipment with which the service person is familiar.

62. TIMER CONTACTS

Refer to *Figure 43*.

- a. Disconnect wires from timer, except timer motor wires.

NOTE: Refer to appropriate wiring diagram when rewiring timer.

- b. Manually rotate timer out of “OFF” position and into cycle.
- c. Set test meter to read Ohms. The following readings should be found:
 - (1) Motor circuit test – L1 and M = “zero” Ohms (closed)
 - (2) Heat circuit test – L2 and H = “zero” Ohms (closed)

- (3) Timer motor test – T and M (electric models) or T and N (gas models) = approximately 2460-3100 Ohms or apply live power to timer motor terminals and motor should run.

NOTE: Timer Motor Resistance:

120 Volt, 60 Hz	2,460 – 3,100 Ohms
240 Volt	10,900 – 13,000 Ohms
24 Volt	80 – 130 Ohms

- (4) Rotate timer to “cooldown” (5 minutes before “OFF”). “Infinite” (open) reading should be found between L2 and H.
- (5) Rotate timer to “OFF” position. “Infinite” (open) reading should be found between L1 and M and between L2 and H.

NOTE: Timer motor power is supplied through M (electric models) or N (gas models) terminal.



WARNING

To reduce the risk of electric shock, fire, explosion, serious injury or death:

- Disconnect electric power to the dryer(s) before servicing.
- Close gas shut-off valve to gas dryer(s) before servicing.
- Never start the dryer(s) with any guards/panels removed.
- Whenever ground wires are removed during servicing, these ground wires must be reconnected to ensure that the dryer is properly grounded.

W001R1

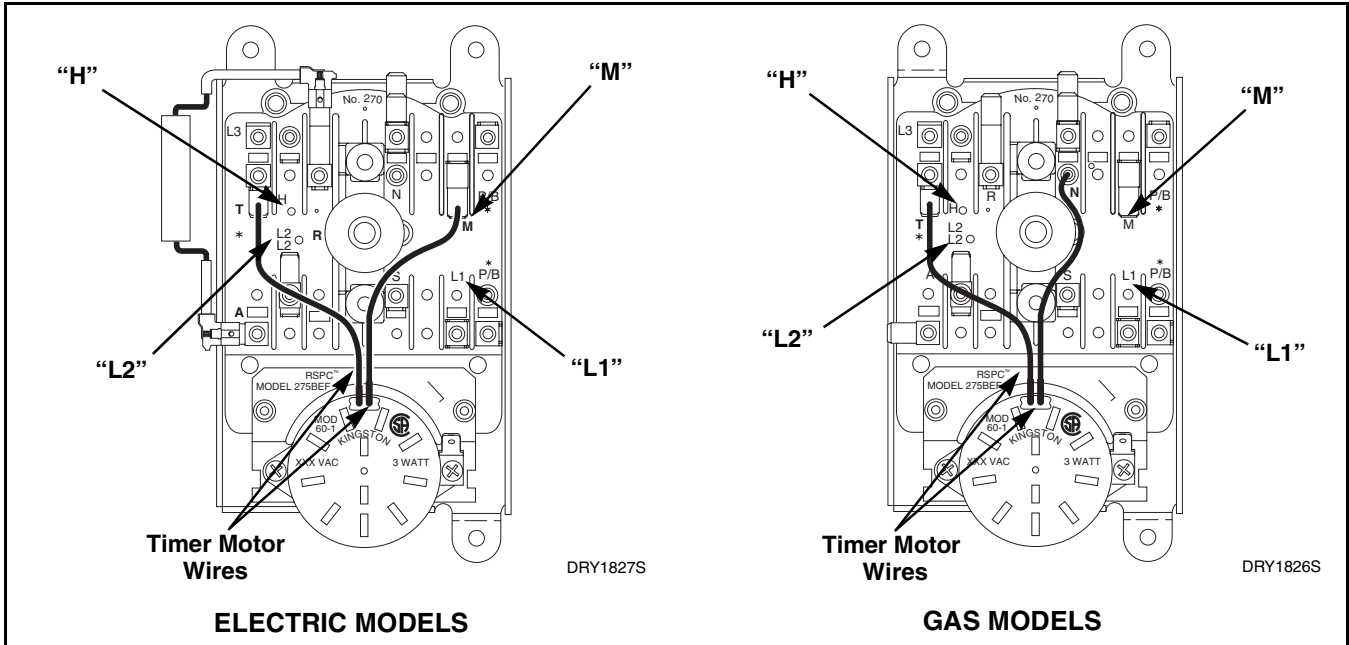


Figure 43

63. FABRIC SELECTOR SWITCH

NOTE: Refer to proper model wiring diagram when rewiring switch.

- Set test meter to read Ohms and apply meter probes to switch terminals.

NOTE: Refer to proper model wiring diagram when reconnecting wires.

FABRIC SELECTOR SWITCH – 4 Position		
	L1-1	L1-2
No Heat	–	–
Delicate	X	X
Perm. Press	–	X
Regular	–	X
X indicates closed		

FABRIC SELECTOR SWITCH – 3 Position			
	L1-2	L1-3	L1-1
No Heat	–	X	–
Delicate	X	–	X
Perm. Press/Regular	X	–	–
X indicates closed			



WARNING

To reduce the risk of electric shock, fire, explosion, serious injury or death:

- Disconnect electric power to the dryer(s) before servicing.
- Close gas shut-off valve to gas dryer(s) before servicing.
- Never start the dryer(s) with any guards/panels removed.
- Whenever ground wires are removed during servicing, these ground wires must be reconnected to ensure that the dryer is properly grounded.

W001R1

64. DRIVE MOTOR

Refer to *Figure 44*.

- Remove motor and exhaust assembly. Refer to *Paragraph 49*.
- Disconnect motor wire harness at motor disconnect block.

NOTE: Refer to wiring schematic, Section 8, for internal motor switch wires.

NOTE: Drive Motor Resistance

120 Volt	2,460 – 3,100 Ohms
240 Volt	10,000 - 13,000 Ohms

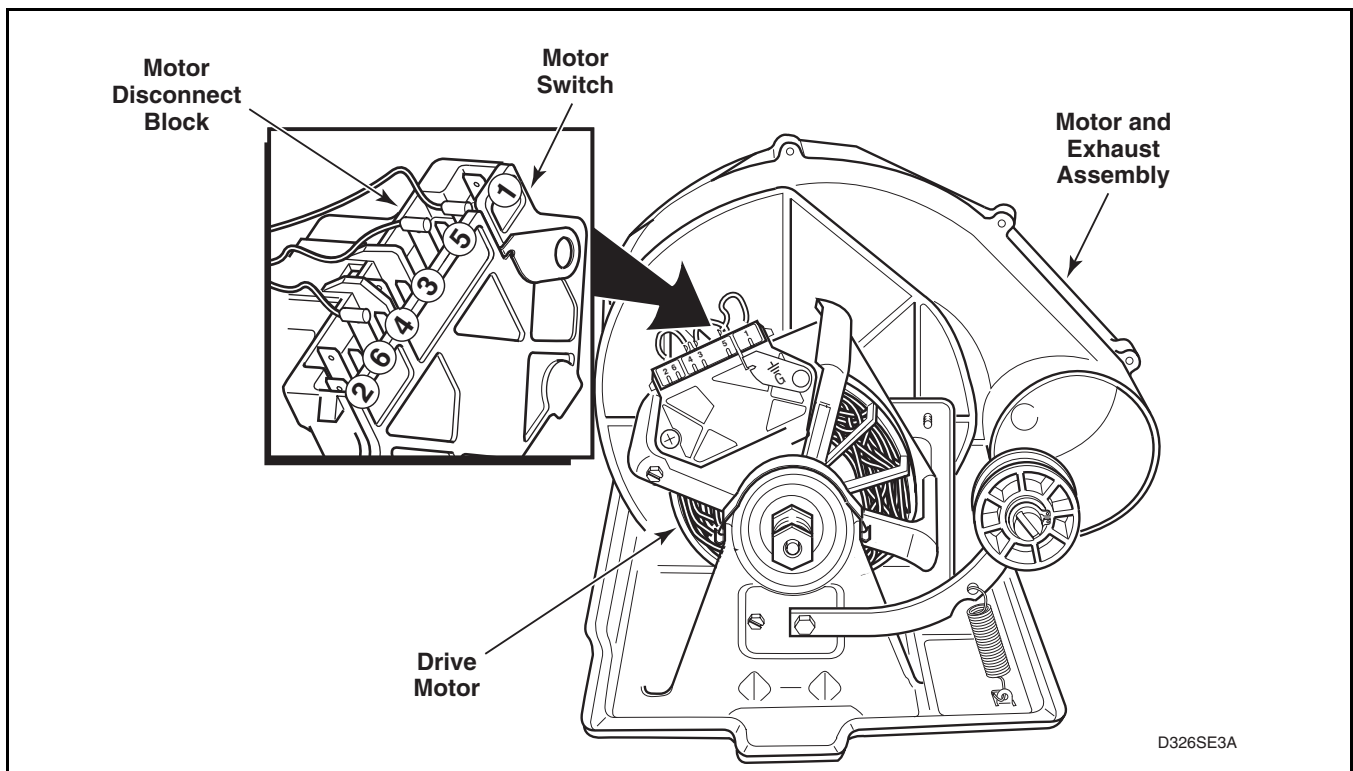


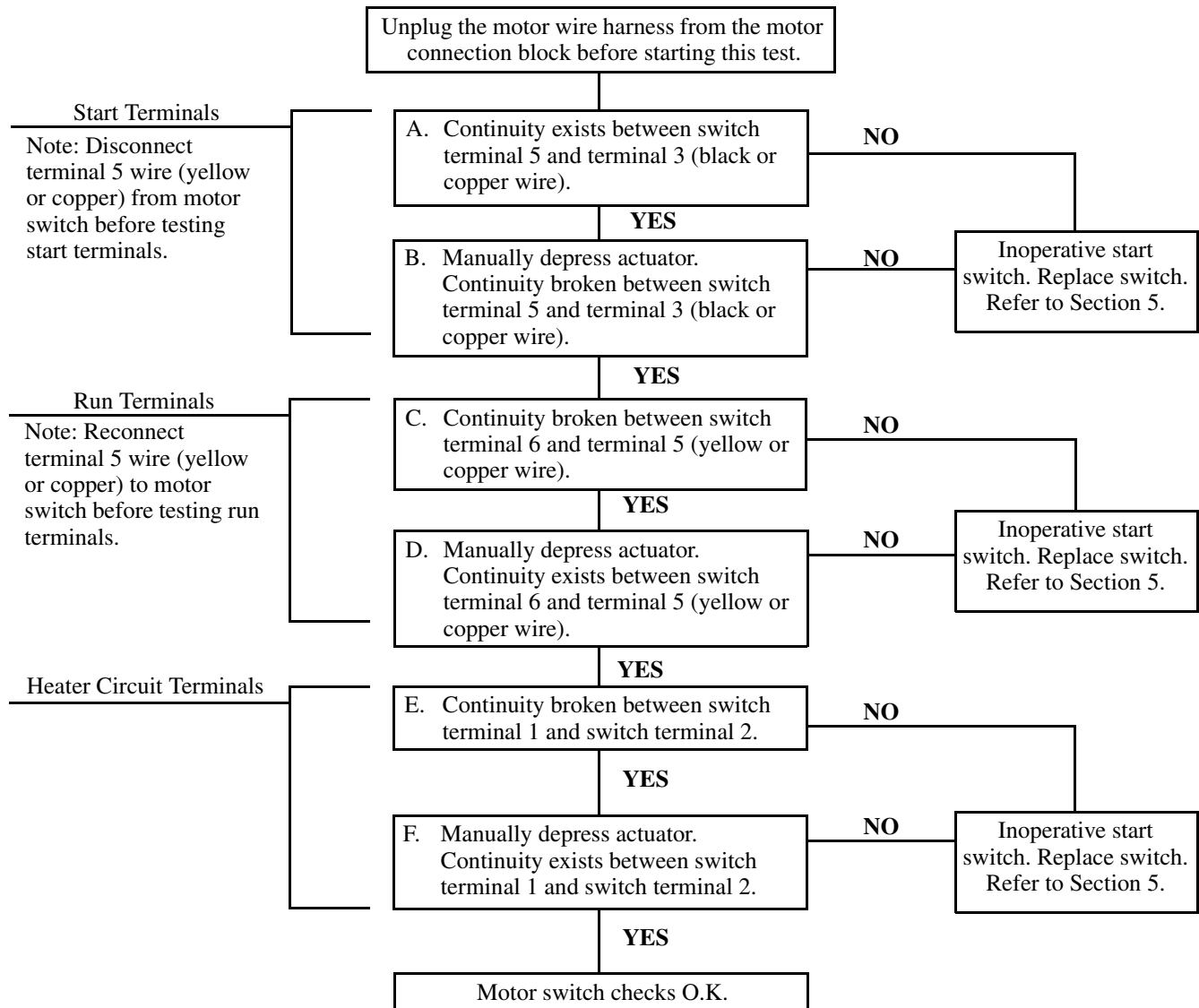



Figure 44

	WARNING
<p>To reduce the risk of electric shock, fire, explosion, serious injury or death:</p> <ul style="list-style-type: none"> • Disconnect electric power to the dryer(s) before servicing. • Close gas shut-off valve to gas dryer(s) before servicing. • Never start the dryer(s) with any guards/panels removed. • Whenever ground wires are removed during servicing, these ground wires must be reconnected to ensure that the dryer is properly grounded. 	
W001R1	


c. **Motor Switch** (Refer to SECTION 8 for Internal Wiring of the Dryer Motor Switch.)

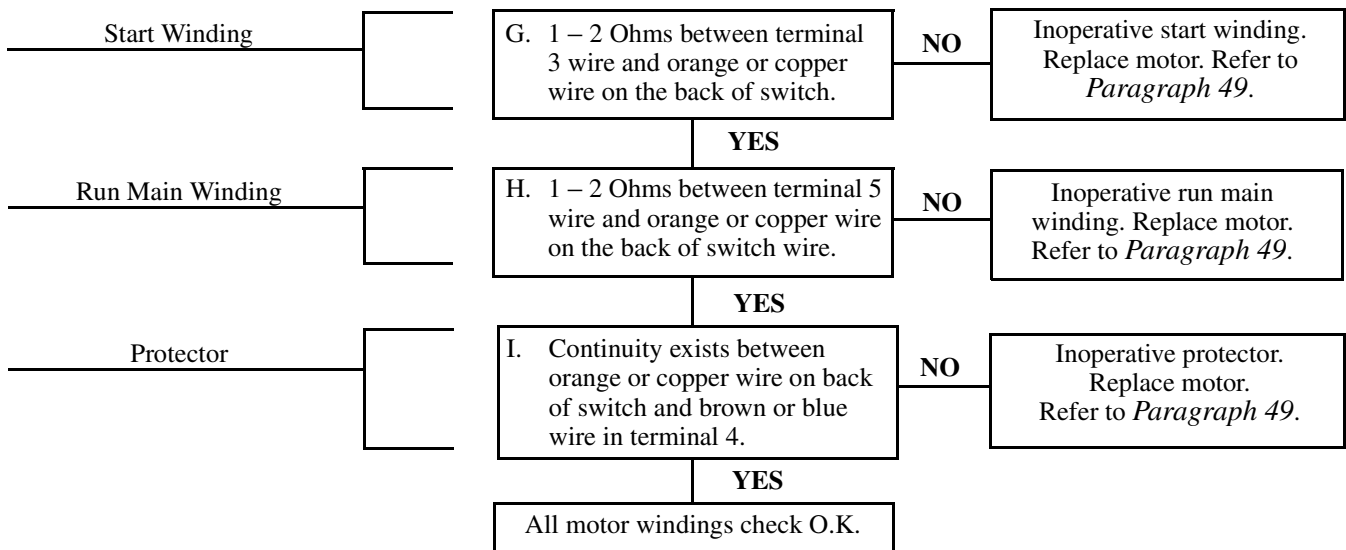
	WARNING
<p>Disconnect electric power to dryer before performing any of the following steps or when replacing inoperative motor switch.</p>	
W290	



	<h2 style="margin: 0;">WARNING</h2>
<p>To reduce the risk of electric shock, fire, explosion, serious injury or death:</p> <ul style="list-style-type: none"> • Disconnect electric power to the dryer(s) before servicing. • Close gas shut-off valve to gas dryer(s) before servicing. • Never start the dryer(s) with any guards/panels removed. • Whenever ground wires are removed during servicing, these ground wires must be reconnected to ensure that the dryer is properly grounded. 	
<small>W001R1</small>	

d. **Motor Windings** (Refer to SECTION 8 for Internal Wiring of the Dryer Motor Switch.)

	<h2 style="margin: 0;">WARNING</h2>
<p>Disconnect electric power to dryer before performing any of the following steps or when replacing inoperative motor switch.</p>	
<small>W290</small>	





WARNING

To reduce the risk of electric shock, fire, explosion, serious injury or death:

- Disconnect electric power to the dryer(s) before servicing.
- Close gas shut-off valve to gas dryer(s) before servicing.
- Never start the dryer(s) with any guards/panels removed.
- Whenever ground wires are removed during servicing, these ground wires must be reconnected to ensure that the dryer is properly grounded.

W001R1

65. MOTOR SWITCH

- a. Remove motor and exhaust fan assembly. Refer to *Paragraph 49*.
- b. Remove the two motor switch attaching screws. Refer to *Figure 50*. Disconnect switch leads. Remove motor switch.
- c. Remove thermal overload protector.

NOTE: The thermal overload protector is unique to the motor from which it was removed and should only be used on that motor. To reduce the risk of overheating the motor, do not use any thermal overload protector other than the one taken from the inoperative motor switch in step 3.

(1) **Motor with Switch on Blower End**

Using a small bladed screwdriver, press the thermal overload protector mounting tab downward and remove the thermal overload protector from the inoperative motor switch. Refer to *Figure 45*.

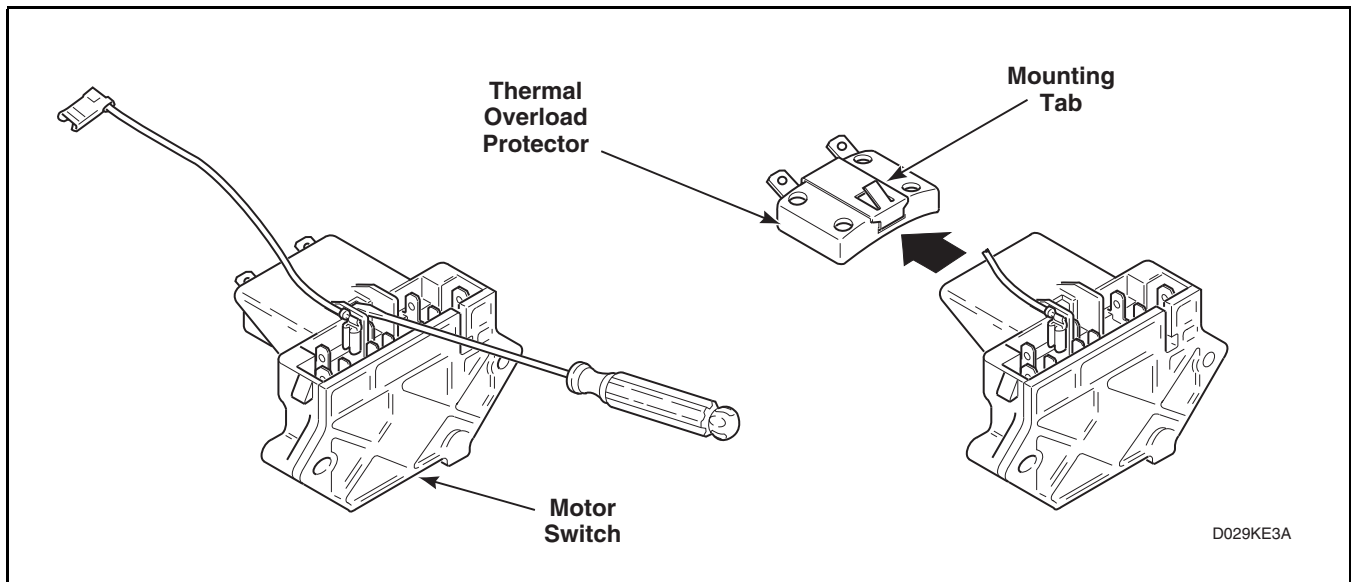


Figure 45



WARNING

To reduce the risk of electric shock, fire, explosion, serious injury or death:

- Disconnect electric power to the dryer(s) before servicing.
- Close gas shut-off valve to gas dryer(s) before servicing.
- Never start the dryer(s) with any guards/panels removed.
- Whenever ground wires are removed during servicing, these ground wires must be reconnected to ensure that the dryer is properly grounded.

W001R1

(2) **Motor with switch on pulley end**

Press the tip of a small bladed screwdriver into the slot located between top of motor switch and plastic clip. Lift up on handle of screwdriver until both clip and thermal overload protector detach from motor switch. Refer to *Figure 46*.

- d. Attach the thermal overload protector removed in Step “c” to the new motor switch.
- e. Install new motor switch onto motor and reconnect motor switch leads removed in Step “b”. Refer to *Figure 50*.

- f. Test motor switch by following the step-by-step procedures included in *Paragraph 64*.
- g. Before reinstalling the motor assembly, apply power (120 VAC) directly to motor terminals 4 and 5. Then start and run the motor at least 6 times, making sure the motor and switch are operating properly.

NOTE: The dryer manufacturer and parts suppliers are not liable for improper switch installation.

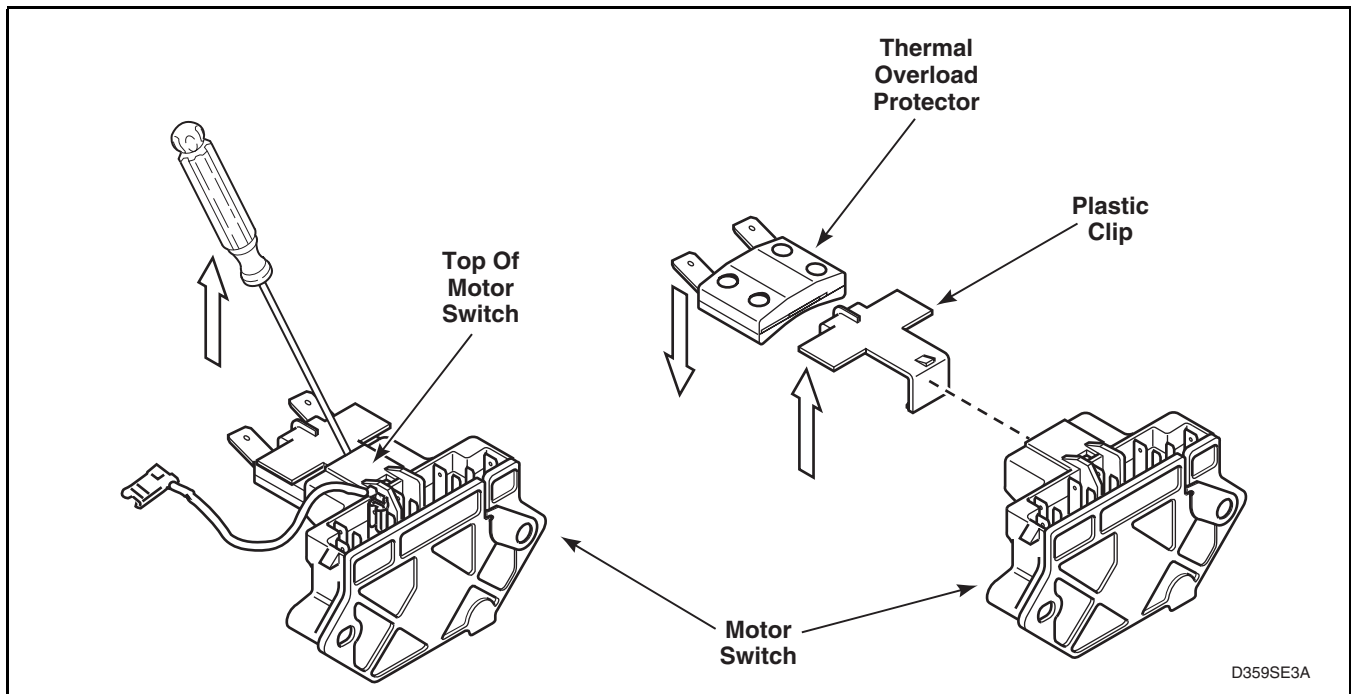


Figure 46

D359SE3A



WARNING

To reduce the risk of electric shock, fire, explosion, serious injury or death:

- Disconnect electric power to the dryer(s) before servicing.
- Close gas shut-off valve to gas dryer(s) before servicing.
- Never start the dryer(s) with any guards/panels removed.
- Whenever ground wires are removed during servicing, these ground wires must be reconnected to ensure that the dryer is properly grounded.

W001R1

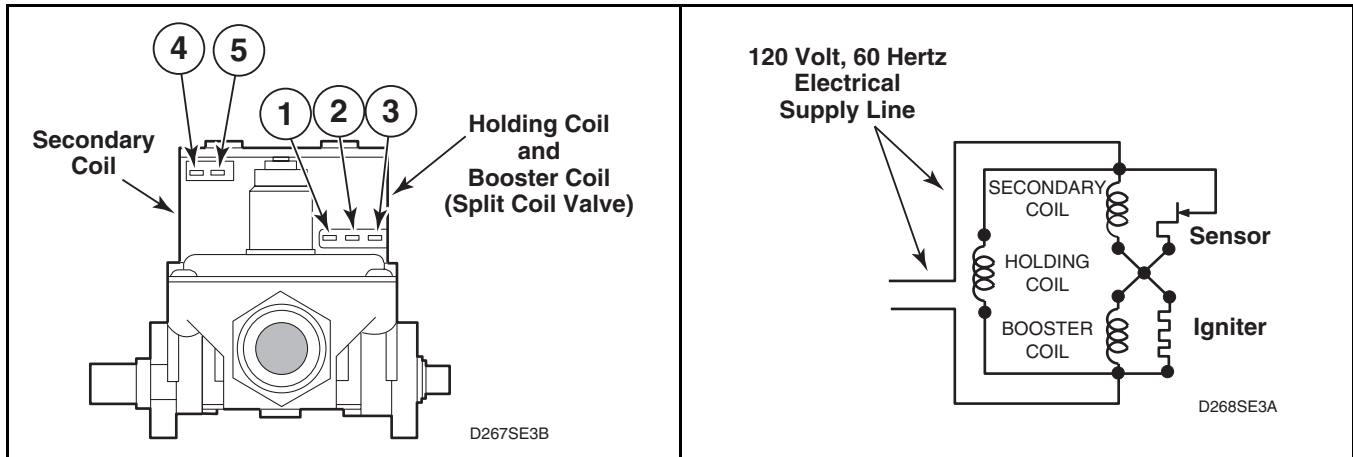


Figure 47

66. BURNER SYSTEM OPERATION

(Gas Models – Refer to *Figure 47.*)

a. Components

This burner has four basic components: a silicon carbide (glow bar) igniter, burner tube, sensor, and a two-stage gas valve consisting of a split-coil valve and a secondary coil valve. The split-coil valve is opened when the dryer thermostat calls for heat, while the secondary valve does not open until the igniter has attained ignition temperature.

b. Pre-Ignition Circuits

When the dryer thermostat calls for heat, circuits are completed through the holding coil, sensor, booster coil and igniter. Both coils must be energized to open the split-coil valve. Once opened, the holding coil can hold the valve open without assistance from the booster coil. The sensor triggers the current to travel around the secondary coil and through the igniter, causing the igniter to get hot.

c. Burner Circuit

In approximately 30 seconds, the igniter attains ignition temperature and ignition is made. The heat from the burner flame causes the sensor contacts (located on burner housing beside the

igniter) to open. A circuit is then completed through the secondary valve coil, opening the valve and allowing gas to flow.

d. Momentary Power Interruption

Upon resumption of power, sensor contacts will still be open, permitting secondary valve to open. However, with the secondary coil in the circuit, the booster coil cannot draw enough current to open the split-coil valve. When sensor contacts do reclose, the secondary valve will close, and the burner system will be in the normal pre-ignition circuit.

e. Flame Failure

In case of flame failure, the sensor contacts will re-close in about 45 seconds. This will close the secondary valve and the burner system will be in the normal pre-ignition circuit.

f. Ignition Failure

If flame is not established as sensor contacts open, secondary valve will remain open until sensor contacts re-close. Sensor will continue to recycle the igniter and secondary valve (about once per minute) until ignition is made or dryer is turned off.



WARNING

To reduce the risk of electric shock, fire, explosion, serious injury or death:

- Disconnect electric power to the dryer(s) before servicing.
- Close gas shut-off valve to gas dryer(s) before servicing.
- Never start the dryer(s) with any guards/panels removed.
- Whenever ground wires are removed during servicing, these ground wires must be reconnected to ensure that the dryer is properly grounded.

W001R1

67. ELECTRICAL CIRCUIT TO IGNITION SYSTEM (Gas Models)

- While supporting the access panel, remove two screws from bottom edge of access panel. Refer to *Figure 8*.
- Gently lower the access panel to disengage locators from bottom edge of front panel. Refer to *Figure 17*.
- Close main gas shut-off valve. Refer to *Figure 42*.
- Remove valve wire harness disconnect block from the holding and booster coil. Refer to *Figure 48*.
- Plug dryer power cord into wall receptacle, and start the dryer in a heat setting (refer to the Operating Instructions supplied with dryer).
- Set test meter to read AC voltage and apply meter probes into terminals on the dryer harness plug that would correspond to terminals "1" and "2" on the coil. *Figure 47*. Meter should register line voltage in all Fabric settings, except NO HEAT which should read "zero" VAC.
- If meter does not read line voltage in step "f", check motor switch, thermostats, fabric switch, accumulator, or timer.

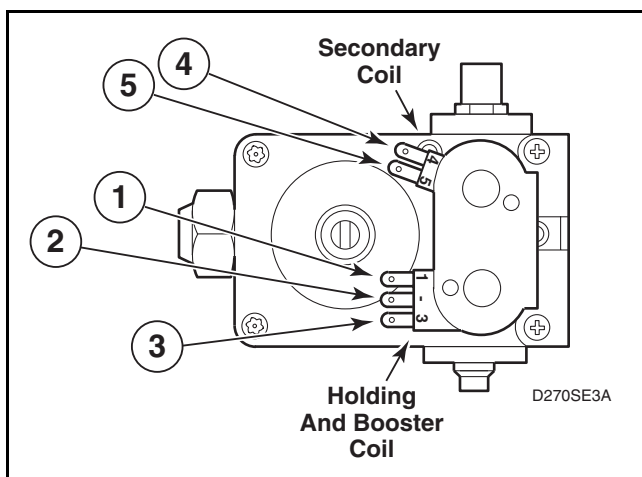


Figure 48



WARNING

To reduce the risk of fire, explosion and electric shock, close the valve in the gas supply line to the gas dryer and disconnect the electrical power unless gas or power supplies are required to perform test procedure.

W263

68. GAS VALVE COILS CHECK (Gas Models)

- While supporting the access panel, remove two screws from bottom edge of access panel. Refer to *Figure 8*.
- Gently lower the access panel to disengage locators from bottom edge of front panel. Refer to *Figure 17*.
- Close main gas shut-off valve. Refer to *Figure 42*.
- Remove disconnect blocks from gas valve coils.
- Set test meter to read Ohms and put meter probes to terminals shown in *Figure 48*, and in the following chart.

COIL TOLERANCE READINGS

Meter probes to terminals:	Meter should read:
Holding Coil – Terminals 1 & 2	1365 ± 230 Ohms
Booster Coil – Terminals 1 & 3	560 ± 100 Ohms
Secondary Coil – Terminals 4 & 5	1325 ± 230 Ohms

NOTE: If meter registers any other readings than those listed above, the respective coil(s) should be replaced.



WARNING

To reduce the risk of electric shock, fire, explosion, serious injury or death:

- Disconnect electric power to the dryer(s) before servicing.
- Close gas shut-off valve to gas dryer(s) before servicing.
- Never start the dryer(s) with any guards/panels removed.
- Whenever ground wires are removed during servicing, these ground wires must be reconnected to ensure that the dryer is properly grounded.

W001R1

69. SENSOR CHECK (Gas Models)

- a. While supporting the access panel, remove two screws from bottom edge of access panel. Refer to *Figure 8*.
- b. Gently lower the access panel to disengage locators from bottom edge of front panel. Refer to *Figure 17*.
- c. Close main gas shut-off valve. Refer to *Figure 42*.
- d. Remove wires from sensor terminals. Refer to *Figure 19*.
- e. Set test meter to read Ohms and put meter probes on sensor terminals. Meter should read “zero” Ohms. If meter registers an Ohm reading of any amount, replace sensor.

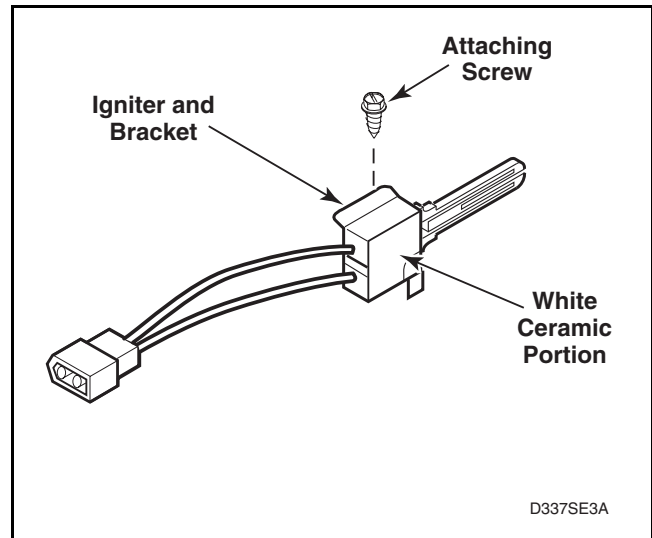


Figure 49

70. IGNITER CHECK (Gas Models)

- a. While supporting the access panel, remove two screws from bottom edge of access panel. Refer to *Figure 8*.
- b. Gently lower the access panel to disengage locators from bottom edge of front panel. Refer to *Figure 17*.
- c. Close main gas shut-off valve. Refer to *Figure 42*.
- d. Disconnect igniter wires at disconnect block.
- e. Set test meter to read Ohms and put meter probes on terminals of igniter wires.
- f. Meter should read between 45 – 200 Ohms. Refer to *Figure 49*.

NOTE: If meter does not read appropriate Ohms, then replace the igniter.

IMPORTANT: Always examine all wires, terminals and connectors to be sure wiring is correct before replacing any components.



WARNING

To reduce the risk of electric shock, fire, explosion, serious injury or death:

- Disconnect electric power to the dryer(s) before servicing.
- Close gas shut-off valve to gas dryer(s) before servicing.
- Never start the dryer(s) with any guards/panels removed.
- Whenever ground wires are removed during servicing, these ground wires must be reconnected to ensure that the dryer is properly grounded.

W001R1

71. THERMAL FUSE (Electric Models)

- a. While supporting the access panel, remove two screws from bottom edge of front access panel. Refer to *Figure 8*.
- b. Gently lower the access panel to disengage panel locators from bottom edge of front panel. Refer to *Figure 17*.
- c. Label and disconnect wires from thermal fuse. Refer to *Figure 21*.

NOTE: Refer to wiring diagram when rewiring thermal fuse.

- d. Set multimeter to read Ohms. Apply meter probes to thermal fuse terminals. Multimeter should read 0 Ohms. If the meter does not show any reading (infinite Ohms), then the fuse is open. If the fuse is open, then replace BOTH the thermal fuse and the limit thermostat.

72. HEATER ASSEMBLY (Electric Models)

- a. While supporting the access panel, remove two screws from bottom edge of access panel. Refer to *Figure 8*.
- b. Gently lower the access panel to disengage panel locators from bottom edge of front panel. Refer to *Figure 17*.
- c. Disconnect wires from heater assembly. Refer to *Figure 21*.

NOTE: Refer to wiring diagram when rewiring heater assembly.

- d. Set meter to read Ohms. Apply meter probes to the heater assembly terminals. Refer to *Figure 21*. Meter should read as follows: (Cold Ohms).

Element Color Code	KW	Voltage/Hz.	Resistance Reading
Red	5	240 V 60 Hz.	10.39 ± .31 Ohms Cold
White	4.75	208 V 60 Hz.	8.2 ± .5 Ohms Cold
Orange	5.35	240 V 60 Hz.	9.72 ± .3 Ohms Cold
Purple	4.25	208 V 60 Hz.	9.27 ± .3 Ohms Cold

73. CYCLING OR LIMIT THERMOSTAT

- a. While supporting the access panel, remove two screws from bottom edge of access panel. Refer to *Figure 8*.
- b. Gently lower the access panel to disengage panel locators from bottom edge of front panel. Refer to *Figure 17*.
- c. Label and disconnect wires from thermostat. Refer to *Figure 22*.

NOTE: Refer to wiring diagram when rewiring thermostat.

Cycling Thermostat (S.P.S.T. – 2 Terminals) or Limit Thermostat

- d. Set meter to read Ohms.
 - (1) Apply meter probes to the thermostat terminals.
 - (2) Meter should read “zero.”



WARNING

To reduce the risk of electric shock, fire, explosion, serious injury or death:

- **Disconnect electric power to the dryer(s) before servicing.**
- **Close gas shut-off valve to gas dryer(s) before servicing.**
- **Never start the dryer(s) with any guards/panels removed.**
- **Whenever ground wires are removed during servicing, these ground wires must be reconnected to ensure that the dryer is properly grounded.**

W001R1

74. DOOR SWITCH

- a. While supporting the access panel, remove two screws from bottom edge of access panel. Refer to *Figure 8*.
- b. Gently lower the access panel to disengage locators from bottom edge of front panel. Refer to *Figure 17*.
- c. Remove two screws holding bottom tabs on front panel to dryer side panels. Refer to *Figure 9*. Swing bottom of front panel away from dryer far enough to disengage hold-down clips and locators from cabinet top.
- d. Disconnect wires from door switch. Refer to *Figure 16*.

NOTE: Refer to model wiring diagram when rewiring door switch.

- e. Set meter to read Ohms and apply meter probes on switch terminals 1 and 3 with door closed. You should get “zero” reading.
- f. Apply probes to terminals 1 and 2 with door closed. The meter should read “infinite”.
- g. Open door. Meter should read “infinite” between 1 and 3 and “zero” between 1 and 2.

Section 8

Internal Wiring of Dryer Motor Switch



WARNING

To reduce the risk of electric shock, fire, explosion, serious injury or death:

- Disconnect electric power to the dryer(s) before servicing.
- Close gas shut-off valve to gas dryer(s) before servicing.
- Never start the dryer(s) with any guards/panels removed.
- Whenever ground wires are removed during servicing, these ground wires must be reconnected to ensure that the dryer is properly grounded.

W001R1

