



1999 FREEZERS

(Including Private Label Brands)

PRODUCT INFORMATION AND TECHNICAL GUIDE

 **FRIGIDAIRE**

TAPPAN

 White-Westinghouse

Gibson

TABLE OF CONTENTS

SAFE SERVICING PRACTICES	2
ELECTRICAL SPECIFICATIONS	
Broich	3
Edina Tech	3
Frigidaire	3 - 4
Gibson	5
Universal / Multiflex	5 - 7
Venex Inc.	7
SYSTEM SPECIFICATIONS	
Broich	8
Edina Tech	8
Frigidaire	8 - 9
Gibson	10
Universal / Multiflex	10 - 12
Venex Inc.	12
SCHEMATICS INDEX LIST	
Broich	13
Edina Tech	13
Frigidaire	13 - 14
Gibson	14 - 15
Universal/Multiflex	15 - 17
Venex Inc.	17
SCHEMATICS	
Electrical Circuits	18 - 20
Relay / Overload Schematics	21
System Schematics	22 - 23
TROUBLESHOOTING	24 - 27
NOTES	28

This service manual is intended for use by persons having electrical and mechanical training and a level of knowledge of these subjects generally considered acceptable in the appliance repair trade. Frigidaire Home Products cannot be responsible, nor assume any liability, for injury or damage of any kind arising from the use of this manual.

SAFE SERVICING PRACTICES - ALL APPLIANCES

To avoid the possibility of personal injury and/or property damage, it is important that safe servicing practices be observed. The following are examples, but without limitation, of such practices:

1. **Do not** attempt a product repair if you have any doubts as to your ability to complete it in a safe and satisfactory manner.
2. Before servicing or moving an appliance:
 - remove power cord from electric outlet, trip circuit breaker to OFF, or remove fuse
 - turn off gas supply
 - turn off water supply
3. Never interfere with the proper operation of any safety device.
4. **Use Only Replacement Parts Cataloged For This Appliance. Substitutions May Defeat Compliance With Safety Standards Set For Home Appliances.**
5. **Grounding:** The standard color coding for safety ground wires is **Green**, or **Green with Yellow Stripes**. Ground leads are not to be used as current carrying conductors. **It Is EXTREMELY Important That The Service Technician Reestablish All Safety Grounds Prior To Completion Of Service. Failure To Do So Will Create A Potential Hazard.**
6. Prior to returning the product to service, ensure that:
 - all electric connections are correct and secure
 - all electrical leads are properly dressed and secured away from sharp edges, high-temperature components, and moving parts
 - all uninsulated electrical terminals, connectors, heaters, etc. are adequately spaced away from all metal parts and panels
 - all safety grounds (both internal and external) are correctly and securely connected
 - all panels are properly and securely reassembled

BROICH ELECTRICAL SPECIFICATIONS

MODELS	Control Thermostat Calibration °F		Defrost Timer		Defrost Thermostat Calibration °F		Defrost Heater	
	Warm Position	Cold Position	Defrost Cycle (Min.)	Accum. Run Time (Hrs.)	Close	Open	Watts	Ohms
	Cut-In	Cut-Out						
CF050	0.0 ± 2	-29.6 ± 3	-	-	-	-	-	-
CF070	0.0 ± 2	-29.6 ± 3	-	-	-	-	-	-
CF090	0.0 ± 2	-29.6 ± 3	-	-	-	-	-	-
CF130	1.8 ± 3	-24.3 ± 3	-	-	-	-	-	-
CF150	1.8 ± 3	-24.3 ± 3	-	-	-	-	-	-
CF180	1.8 ± 3	-24.3 ± 3	-	-	-	-	-	-
F22CW7	35.7 ± 3	-31.6 ± 3	29.9 ± 3.6	12 *	25° +7°/-10°	47° ± 5°	550 ± 5%	24
F22CW8	35.7 ± 3	-31.6 ± 3	29.9 ± 3.6	12 *	25° +7°/-10°	47° ± 5°	550 ± 5%	24
GDR22CWL0	10.7 ± 3	6.1 ± 3	29.9 ± 3.6	12	25° +7°/-10°	47° ± 5°	550 ± 5%	24
GDR22CWL1	10.7 ± 3	6.1 ± 3	29.9 ± 3.6	12	25° +7°/-10°	47° ± 5°	550 ± 5%	24
GDR22CWR0	10.7 ± 3	6.1 ± 3	29.9 ± 3.6	12	25° +7°/-10°	47° ± 5°	550 ± 5%	24
GDR22CWR1	10.7 ± 3	6.1 ± 3	29.9 ± 3.6	12	25° +7°/-10°	47° ± 5°	550 ± 5%	24
R22CW6	35.7 ± 3	-31.6 ± 3	29.9 ± 3.6	12 *	25° +7°/-10°	47° ± 5°	550 ± 5%	24
R22CW7	35.7 ± 3	-31.6 ± 3	29.9 ± 3.6	12 *	25° +7°/-10°	47° ± 5°	550 ± 5%	24
UL1293ECW9	11.4 ± 3	-20.3 ± 3	-	-	-	-	-	-
UL1793ECW7	8.5 ± 3	-21.0 ± 3	-	-	-	-	-	-
UL2030ECW13	4.0 ± 2	-24.0 ± 2	29.9 ± 3.6	12	25° +7°/-10°	47° ± 5°	550 ± 5%	24
UL5000ECW4	8.8 ± 3	-21.0 ± 3	-	-	-	-	-	-

EDINA TECH ELECTRICAL SPECIFICATIONS

FMR7	22.7 ± 3	29.9 ± 3	-	-	-	-	-	-
------	----------	----------	---	---	---	---	---	---

FRIGIDAIRE ELECTRICAL SPECIFICATIONS

FFC05M5CW4	6.3 ± 3	-24.5 ± 3	-	-	-	-	-	-
FFC07M5HW0	6.3 ± 3	-24.5 ± 3	-	-	-	-	-	-
FFC09M5HW0	6.3 ± 3	-24.5 ± 3	-	-	-	-	-	-
FFC13D7HW0	14.0 ± 3	-22.3 ± 3	-	-	-	-	-	-
FFC15M6CW3	14.0 ± 3	-22.3 ± 3	-	-	-	-	-	-

* This model uses Clock Time

FRIGIDAIRE ELECTRICAL SPECIFICATIONS

MODELS	Control Thermostat Calibration °F		Defrost Timer		Defrost Thermostat Calibration °F		Defrost Heater	
	Warm Position	Cold Position	Defrost Cycle (Min.)	Accum. Run Time (Hrs.)	Close	Open	Watts	Ohms
	Cut-In	Cut-Out						
FFC15M6CW4	14.0 ± 3	-22.3 ± 3	-	-	-	-	-	-
FFC20D7GW1	14.0 ± 3	-22.3 ± 3	-	-	-	-	-	-
FFC20D7HW0	14.0 ± 3	-22.3 ± 3	-	-	-	-	-	-
FFC20D7HW1	14.0 ± 3	-22.3 ± 3	-	-	-	-	-	-
FFU11F0HW0	6.2 ± 3	-24.2 ± 3	29.9 ± 3.6	12	25° +7°/-10°	47° ± 3°	400 ± 5%	33
FFU14F9GW2	6.2 ± 3	-24.2 ± 3	29.9 ± 3.6	12	25° +7°/-10°	47° ± 3°	400 ± 5%	33
FFU14F9GW3	6.2 ± 3	-24.2 ± 3	29.9 ± 3.6	12	25° +7°/-10°	47° ± 3°	400 ± 5%	33
FFU14M8HW0	11.1 ± 3	-27.7 ± 3	-	-	-	-	-	-
FFU17D7HW0	8.8 ± 3	-21.0 ± 3	-	-	-	-	-	-
FFU17F9GW2	4.0 ± 2	-24.0 ± 2	29.9 ± 3.6	12	25° +7°/-10°	47° ± 3°	550 ± 5%	24
FFU17F9GW3	4.0 ± 2	-24.0 ± 2	29.9 ± 3.6	12	25° +7°/-10°	47° ± 3°	550 ± 5%	24
FFU17F9HW0	4.0 ± 2	-24.0 ± 2	29.9 ± 3.6	12	25° +7°/-10°	47° ± 3°	550 ± 5%	24
FFU17F9HW1	4.0 ± 2	-24.0 ± 2	29.9 ± 3.6	12	25° +7°/-10°	47° ± 3°	550 ± 5%	24
FFU17G9HW0	4.0 ± 2	-24.0 ± 2	29.9 ± 3.6	12	25° +7°/-10°	47° ± 3°	550 ± 5%	24
FFU17G9HW1	4.0 ± 2	-24.0 ± 2	29.9 ± 3.6	12	25° +7°/-10°	47° ± 3°	550 ± 5%	24
FFU20F9GW2	4.0 ± 2	-24.0 ± 2	29.9 ± 3.6	12	25° +7°/-10°	47° ± 3°	550 ± 5%	24
FFU20F9GW3	4.0 ± 2	-24.0 ± 2	29.9 ± 3.6	12	25° +7°/-10°	47° ± 3°	550 ± 5%	24
FFU20F9HW0	4.0 ± 2	-24.0 ± 2	29.9 ± 3.6	12	25° +7°/-10°	47° ± 3°	550 ± 5%	24
FFU20F9HW1	4.0 ± 2	-24.0 ± 2	29.9 ± 3.6	12	25° +7°/-10°	47° ± 3°	550 ± 5%	24
FFU20G9GW2	4.0 ± 2	-24.0 ± 2	29.9 ± 3.6	12	25° +7°/-10°	47° ± 3°	550 ± 5%	24
FFU20G9HW0	4.0 ± 2	-24.0 ± 2	29.9 ± 3.6	12	25° +7°/-10°	47° ± 3°	550 ± 5%	24
FFU20G9HW1	4.0 ± 2	-24.0 ± 2	29.9 ± 3.6	12	25° +7°/-10°	47° ± 3°	550 ± 5%	24
FFU21D7HW0	8.8 ± 3	-21.0 ± 3	-	-	-	-	-	-
FFU21D9GW0	8.8 ± 3	-21.0 ± 3	-	-	-	-	-	-

GIBSON ELECTRICAL SPECIFICATIONS

MODELS	Control Thermostat Calibration °F		Defrost Timer		Defrost Thermostat Calibration °F		Defrost Heater	
	Warm Position	Cold Position	Defrost Cycle (Min.)	Accum. Run Time (Hrs.)	Close	Open	Watts	Ohms
	Cut-In	Cut-Out						
GFC05M0HW0	6.3 ± 3	-24.5 ± 3	-	-	-	-	-	-
GFC05M0HW1	6.3 ± 3	-24.5 ± 3	-	-	-	-	-	-
GFC05M3EW3	6.3 ± 3	-24.5 ± 3	-	-	-	-	-	-
GFC13M0HW0	14.0 ± 3	-22.3 ± 3	-	-	-	-	-	-
GFC15M4AW5	14.0 ± 3	-22.3 ± 3	-	-	-	-	-	-
GFC20M4GW2	14.0 ± 3	-22.3 ± 3	-	-	-	-	-	-
GFC25M4HW0	14.0 ± 3	-22.3 ± 3	-	-	-	-	-	-
GFU09M2HW0	11.1 ± 3	-27.7 ± 3	-	-	-	-	-	-
GFU09M2HW1	11.1 ± 3	-27.7 ± 3	-	-	-	-	-	-
GFU09M2HW2	11.1 ± 3	-27.7 ± 3	-	-	-	-	-	-
GFU12M0HW0	11.1 ± 3	-27.7 ± 3	-	-	-	-	-	-
GFU14F3HW0	6.2 ± 3	-21.2 ± 3	29.9 ± 3.6	12	25° +7°/-10°	47° ± 5%	400 ± 5%	33
GFU14F3HW1	6.2 ± 3	-21.2 ± 3	29.9 ± 3.6	12	25° +7°/-10°	47° ± 5%	400 ± 5%	33
GFU17D5GW0	8.5 ± 3	-21.0 ± 3	-	-	-	-	-	-
GFU17F7GW2	4.0 ± 2	-24.0 ± 2	29.9 ± 3.6	12	25° +7°/-10°	47° ± 5%	550 ± 5%	24
GFU17F7GW3	4.0 ± 2	-24.0 ± 2	29.9 ± 3.6	12	25° +7°/-10°	47° ± 5%	550 ± 5%	24
GFU20F7GW2	4.0 ± 2	-24.0 ± 2	29.9 ± 3.6	12	25° +7°/-10°	47° ± 5%	550 ± 5%	24
GFU20F7GW3	4.0 ± 2	-24.0 ± 2	29.9 ± 3.6	12	25° +7°/-10°	47° ± 5%	550 ± 5%	24
GFU21D9FW1	8.8 ± 3	-21.0 ± 3	-	-	-	-	-	-
GFU21M7HW0	8.8 ± 3	-21.0 ± 3	-	-	-	-	-	-

UNIVERSAL / MULTIFLEX ELECTRICAL SPECIFICATIONS

CFC05M0HW0	6.3 ± 3	-24.5 ± 3	-	-	-	-	-	-
CFC05M0HW1	6.3 ± 3	-24.5 ± 3	-	-	-	-	-	-
CFC07M1HW0	6.3 ± 3	-24.5 ± 3	-	-	-	-	-	-
CFC07M3HW0	6.3 ± 3	-24.5 ± 3	-	-	-	-	-	-
CFC09M1HW0	6.3 ± 3	-24.5 ± 3	-	-	-	-	-	-

UNIVERSAL / MULTIFLEX ELECTRICAL SPECIFICATIONS

MODELS	Control Thermostat Calibration °F		Defrost Timer		Defrost Thermostat Calibration °F		Defrost Heater	
	Warm Position	Cold Position	Defrost Cycle (Min.)	Accum. Run Time (Hrs.)	Close	Open	Watts	Ohms
	Cut-In	Cut-Out						
CFC09M6HW0	6.3 ± 3	-24.5 ± 3	-	-	-	-	-	-
CFC13M4HW0	14.0 ± 3	-22.3 ± 3	-	-	-	-	-	-
CFC13M6HW0	14.0 ± 3	-22.3 ± 3	-	-	-	-	-	-
CFC15M4HW0	14.0 ± 3	-22.3 ± 3	-	-	-	-	-	-
CFC20M4HW0	14.0 ± 3	-22.3 ± 3	-	-	-	-	-	-
CFC20M4HW1	14.0 ± 3	-22.3 ± 3	-	-	-	-	-	-
CFC25M4HW0	14.0 ± 3	-22.3 ± 3	-	-	-	-	-	-
CFU09M2HW0	11.1 ± 3	-27.7 ± 3	-	-	-	-	-	-
CFU09M2HW1	11.1 ± 3	-27.7 ± 3	-	-	-	-	-	-
CFU09M2HW2	11.1 ± 3	-27.7 ± 3	-	-	-	-	-	-
CFU12M2HW0	11.1 ± 3	-27.7 ± 3	-	-	-	-	-	-
CFU14F3HW0	6.2 ± 3	-21.2 ± 3	29.9 ± 3.6	12	25° +7°/-10°	47° ± 5%	400 ± 5%	33
CFU14F3HW1	6.2 ± 3	-21.2 ± 3	29.9 ± 3.6	12	25° +7°/-10°	47° ± 5%	400 ± 5%	33
CFU14M2HW0	11.1 ± 3	-27.7 ± 3	-	-	-	-	-	-
CFU17F3HW0	4.0 ± 2	-24.0 ± 2	29.9 ± 3.6	12	25° +7°/-10°	47° ± 5%	550 ± 5%	24
CFU17M3HW0	8.5 ± 3	-21.0 ± 3	-	-	-	-	-	-
CFU21M3HW0	8.5 ± 3	-21.0 ± 3	-	-	-	-	-	-
MFC05M0BW5	6.3 ± 3	-24.5 ± 3	-	-	-	-	-	-
MFC05M3BW5	6.3 ± 3	-24.5 ± 3	-	-	-	-	-	-
MFC20M4FW3	14.0 ± 3	-22.3 ± 3	-	-	-	-	-	-
MFU09M2GW2	11.1 ± 3	-27.7 ± 3	-	-	-	-	-	-
MFU09M2GW3	11.1 ± 3	-27.7 ± 3	-	-	-	-	-	-
MFU14F3GW4	6.2 ± 3	-21.2 ± 3	29.9 ± 3.6	12	25° +7°/-10°	47° ± 5%	400 ± 5%	33
MFU14F3GW5	6.2 ± 3	-21.2 ± 3	29.9 ± 3.6	12	25° +7°/-10°	47° ± 5%	400 ± 5%	33
MFU14M2GW1	11.1 ± 3	-27.7 ± 3	-	-	-	-	-	-
MFU17F3GW2	4.0 ± 2	-24.0 ± 2	29.9 ± 3.6	12	25° +7°/-10°	47° ± 5%	550 ± 5%	24

UNIVERSAL / MULTIFLEX ELECTRICAL SPECIFICATIONS

MODELS	Control Thermostat Calibration °F		Defrost Timer		Defrost Thermostat Calibration °F		Defrost Heater	
	Warm Position	Cold Position	Defrost Cycle (Min.)	Accum. Run Time (Hrs.)	Close	Open	Watts	Ohms
	Cut-In	Cut-Out						
MFU17F3GW3	4.0 ± 2	-24.0 ± 2	29.9 ± 3.6	12	25° +7°/-10°	47° ± 5%	550 ± 5%	24
MFU17F3GW4	4.0 ± 2	-24.0 ± 2	29.9 ± 3.6	12	25° +7°/-10°	47° ± 5%	550 ± 5%	24
MFU17F3GW5	4.0 ± 2	-24.0 ± 2	29.9 ± 3.6	12	25° +7°/-10°	47° ± 5%	550 ± 5%	24
MFU17F3GW6	4.0 ± 2	-24.0 ± 2	29.9 ± 3.6	12	25° +7°/-10°	47° ± 5%	550 ± 5%	24
MFU17M3GW1	8.5 ± 3	-21.0 ± 3	-	-	-	-	-	-
MFU20F3GW3	4.0 ± 2	-24.0 ± 2	29.9 ± 3.6	12	25° +7°/-10°	47° ± 5%	550 ± 5%	24
MFU20F3GW4	4.0 ± 2	-24.0 ± 2	29.9 ± 3.6	12	25° +7°/-10°	47° ± 5%	550 ± 5%	24
MFU20F3GW5	4.0 ± 2	-24.0 ± 2	29.9 ± 3.6	12	25° +7°/-10°	47° ± 5%	550 ± 5%	24
MFU20F3GW6	4.0 ± 2	-24.0 ± 2	29.9 ± 3.6	12	25° +7°/-10°	47° ± 5%	550 ± 5%	24
MFU20F3GW7	4.0 ± 2	-24.0 ± 2	29.9 ± 3.6	12	25° +7°/-10°	47° ± 5%	550 ± 5%	24
MFU21M3GW1	8.5 ± 3	-21.0 ± 3	-	-	-	-	-	-

VENEX ELECTRICAL SPECIFICATIONS

ER146	6.2 ± 3	-21.2 ± 3	29.9 ± 3.6	12	25° +7°/-10°	47° ± 5%	400 ± 5%	33
ER147	6.2 ± 3	-21.2 ± 3	29.9 ± 3.6	12	25° +7°/-10°	47° ± 5%	400 ± 5%	33
VV208	4.0 ± 2	-24.0 ± 2	29.9 ± 3.6	12	25° +7°/-10°	47° ± 5%	550 ± 5%	24
VV209	4.0 ± 2	-24.0 ± 2	29.9 ± 3.6	12	25° +7°/-10°	47° ± 5%	550 ± 5%	24

BROICH SYSTEM SPECIFICATIONS

MODELS	Compressor Type	Refrigerant (R134a) Oz.	Suction Pressure - PSIG				High Side PSIG (Last 1/3 of cycle)		Wattage Range (Last 1/3 of cycle)	
			Ambient 70°F		Ambient 90°F		70°F	90°F	70°F	90°F
			Cut-In	Cut-Out	Cut-In	Cut-Out				
CF050	EMI60HSC	5.5	*	*	*	*	*	*	*	
CF070	EMI60HSC	7	*	*	*	*	*	*	*	
CF090	EMI60HSC	8	*	*	*	*	*	*	*	
CF130	RG213-1-3072	9	*	*	*	*	*	*	*	
CF150	RG213-1-3072	9.5	*	*	*	*	*	*	*	
CF180	RG213-1-3072	10.5	*	*	*	*	*	*	*	
F22CW7	RF107-1-3699	9.5	*	*	*	*	*	*	*	
F22CW8	RG213-1-3072	9.5	*	*	*	*	*	*	*	
GDR22CWL0	RG109-1-3722	9.5	*	*	*	*	*	*	*	
GDR22CWL1	RG109-1-3722	9.5	*	*	*	*	*	*	*	
GDR22CWR0	RG109-1-3722	9.5	*	*	*	*	*	*	*	
GDR22CWR1	RG109-1-3722	9.5	*	*	*	*	*	*	*	
R22CW6	RF107-1-3665	9.5	*	*	*	*	*	*	*	
R22CW7	RF107-1-3699	9.5	*	*	*	*	*	*	*	
UL1293ECW9	EM45HNR	7	*	*	*	*	*	*	*	
UL1793ECW7	RF107-1-3665	8	14	0	14	0	115-125	150-160	120-130	130-140
UL2030ECW13	RF108-1-3666	7	14	0	14	0	110-125	150-165	135-160	145-165
UL5000ECW4	RF208-1-3664	9.5	14	0	14	0	115-125	150-160	120-130	130-140

EDINA TECH SYSTEM SPECIFICATIONS

FMR7	EM45HNR	4.5	*	*	*	*	*	*	*	*
------	---------	-----	---	---	---	---	---	---	---	---

FRIGIDAIRE SYSTEM SPECIFICATIONS

FFC05M5CW4	NSB30LBCM	6	12	0	12	0	120-130	155-165	60-70	70-80
FFC07M5HW0	EM45HER	7	12	0	12	0	120-130	155-165	85-95	85-95
FFC09M5HW0	EM45HER	8	12	0	12	0	120-130	155-165	85-95	85-95
FFC13D7HW0	EMI60HSC	9	14	0	14	0	100-115	140-155	90-105	100-115
FFC15M6CW3	EMI60HSC	10	14	0	14	0	100-115	140-155	90-105	100-115
FFC15M6CW4	EMI60HSC	10	14	0	14	0	100-115	140-155	90-105	100-115

* Information not available.

FRIGIDAIRE SYSTEM SPECIFICATIONS

MODELS	Compressor Type	Refrigerant (R134a) Oz.	Suction Pressure - PSIG				High Side PSIG (Last 1/3 of cycle)		Wattage Range (Last 1/3 of cycle)	
			Ambient 70°F		Ambient 90°F		70°F	90°F	70°F	90°F
			Cut-In	Cut-Out	Cut-In	Cut-Out				
FFC20D7GW1	FGS70HA	11.5	14	0	14	0	100-115	140-155	90-105	100-115
FFC20D7HW0	FGS70HA	11.5	14	0	14	0	100-115	140-155	90-105	100-115
FFC20D7HW1	FGS70HA	11.5	14	0	14	0	100-115	140-155	90-105	100-115
FFU11F0HW0	EM55HNR	6.5	15	2	15	2	120-130	155-165	120-130	125-135
FFU14F9GW2	EM55HNR	6.5	14	0	14	0	110-120	150-160	110-120	115-125
FFU14F9GW3	EM55HNR	6.5	14	0	14	0	110-120	150-160	110-120	115-125
FFU14M8HW0	EM55HNR	8	15	0	15	0	100-115	140-150	75-110	75-110
FFU17D7HW0	RF107-1-3699	8	14	0	14	0	115-125	150-160	120-130	130-140
FFU17F9GW2	RF107-1-3665	7.5	14	0	14	0	110-125	150-165	135-160	145-165
FFU17F9GW3	RF107-1-3699	7.5	14	0	14	0	110-125	150-165	135-160	145-165
FFU17F9HW0	RF108-1-3701	7	14	0	14	0	110-125	150-165	135-160	145-165
FFU17F9HW1	RF107-1-3699	7.5	14	0	14	0	110-125	150-165	135-160	145-165
FFU17G9HW0	RF107-1-3699	7.5	14	0	14	0	110-125	150-165	135-160	145-165
FFU17G9HW1	RF107-1-3699	7.5	14	0	14	0	110-125	150-165	135-160	145-165
FFU20F9GW2	RF108-1-3666	7	14	0	14	0	110-125	150-165	135-160	145-165
FFU20F9GW3	RF108-1-3701	7	14	0	14	0	110-125	150-165	135-160	145-165
FFU20F9GW0	RF108-1-3701	7	14	0	14	0	110-125	150-165	135-160	145-165
FFU20F9GW1	RF108-1-3701	7	14	0	14	0	110-125	150-165	135-160	145-165
FFU20G9GW2	RF108-1-3666	7	14	0	14	0	110-125	150-165	135-160	145-165
FFU20G9HW0	RF108-1-3701	7	14	0	14	0	110-125	150-165	135-160	145-165
FFU20G9HW1	RF108-1-3701	7	14	0	14	0	110-125	150-165	135-160	145-165
FFU21D7HW0	RF107-1-3699	9	14	0	14	0	115-125	150-160	120-130	130-140
FFU21D9GW0	RF107-1-3699	9	14	0	14	0	115-125	150-160	120-130	130-140

GIBSON SYSTEM SPECIFICATIONS

GFC05M0HW0	EM145HER	5.5	12	0	12	0	120-130	155-165	85-95	85-95
GFC05M0HW1	NSB30LBCM	6	12	0	12	0	120-130	155-165	60-70	70-80
GFC05M3EW3	NSB30LBCM	6	12	0	12	0	120-130	155-165	60-70	70-80

GIBSON SYSTEM SPECIFICATIONS

MODELS	Compressor Type	Refrigerant (R134a) Oz.	Suction Pressure - PSIG				High Side PSIG (Last 1/3 of cycle)		Wattage Range (Last 1/3 of cycle)	
			Ambient 70°F		Ambient 90°F		70°F	90°F	70°F	90°F
			Cut-In	Cut-Out	Cut-In	Cut-Out				
GFC13M0HW0	EM160HSC	9	14	0	14	0	100-115	140-155	90-105	100-115
GFC15M4AW5	EM160HSC	10	14	0	14	0	100-115	140-155	90-105	100-115
GFC20M4GW2	FGS70HA	11.5	15	0	15	0	105-120	140-155	115-130	115-135
GFC25M4HW0	FGS80HA	13	15	0	15	0	105-120	140-155	115-130	115-135
GFU09M2HW0	EM30HNR	7	15	0	15	0	100-115	140-150	75-110	75-110
GFU09M2HW1	EM145HER	6.5	15	0	15	0	100-115	140-150	75-110	75-110
GFU09M2HW2	EM30HNR	7	15	0	15	0	100-115	140-150	75-110	75-110
GFU12M0HW0	EM45HER	7	15	0	15	0	100-115	140-150	75-110	75-110
GFU14F3HW0	EM55HNR	6.5	14	0	14	0	110-120	150-160	110-120	115-125
GFU14F3HW1	EM55HNR	6.5	14	0	14	0	110-120	150-160	110-120	115-125
GFU17D5GW0	RF107-1-3699	8	14	0	14	0	115-125	150-160	120-130	130-140
GFU17F7GW2	RF107-1-3699	7.5	14	0	14	0	110-125	150-165	135-160	145-160
GFU17F7GW3	RF107-1-3699	7.5	14	0	14	0	110-125	150-165	135-160	145-160
GFU20F7GW2	RF108-1-3701	7	14	0	14	0	110-125	150-165	135-160	145-160
GFU20F7GW3	RF108-1-3701	7	14	0	14	0	110-125	150-165	135-160	145-160
GFU21D9FW1	RF107-1-3699	9	14	0	14	0	115-125	150-160	120-130	130-140
GFU21M7FW0	RF107-1-3699	9	14	0	14	0	115-125	150-160	120-130	130-140

UNIVERSAL / MULTIFLEX SYSTEM SPECIFICATIONS

CFC05M0HW0	EM145HER	5.5	12	0	12	0	120-130	155-165	85-95	85-95
CFC05M0HW1	NSB30LBCM	6	12	0	12	0	120-130	155-165	60-70	70-80
CFC07M1HW0	EM145HER	7	12	0	12	0	120-130	155-165	85-95	85-95
CFC07M3HW0	EM145HER	7	12	0	12	0	120-130	155-165	85-95	85-95
CFC09M1HW0	EM145HER	8	12	0	12	0	120-130	155-165	85-95	85-95
CFC09M6HW0	EM145HER	8	12	0	12	0	120-130	155-165	85-95	85-95
CFC13M4HW0	EM160HSC	9	14	0	14	0	100-115	140-155	90-105	100-115
CFC13M6HW0	EM160HSC	9	14	0	14	0	100-115	140-155	90-105	100-115
CFC15M4HW0	EM160HSC	10	14	0	14	0	100-115	140-155	90-105	100-115

UNIVERSAL / MULTIFLEX SYSTEM SPECIFICATIONS

MODELS	Compressor Type	Refrigerant (R134a) Oz.	Suction Pressure - PSIG				High Side PSIG (Last 1/3 of cycle)		Wattage Range (Last 1/3 of cycle)	
			Ambient 70°F		Ambient 90°F		70°F	90°F	70°F	90°F
			Cut-In	Cut-Out	Cut-In	Cut-Out				
CFC20M4HW0	FGS70HA	11.5	15	0	15	0	105-120	140-155	115-130	115-135
CFC20M4HW1	FGS70HA	11.5	15	0	15	0	105-120	140-155	115-130	115-135
CFC25M4HW0	FGS80HA	13	15	0	15	0	105-120	140-155	115-130	115-135
CFU09M2HW0	EM30HNR	7	15	0	15	0	100-115	140-150	75-110	75-110
CFU09M2HW1	EM45HER	6.5	15	0	15	0	100-115	140-150	75-110	75-110
CFU09M2HW2	EM30HNR	7	15	0	15	0	100-115	140-150	75-110	75-110
CFU12M2HW0	EM45HNR	7	15	0	15	0	100-115	140-150	75-110	75-110
CFU14F3HW0	EM55HNR	6.5	14	0	14	0	110-120	150-160	110-120	115-125
CFU14F3HW1	EM55HNR	6.5	14	0	14	0	110-120	150-160	110-120	115-125
CFU14M2HW0	EM55HNR	8	15	0	15	0	100-115	140-150	75-110	75-110
CFU17F3HW0	RF107-1-3699	7.5	14	0	14	0	110-125	150-165	135-160	145-165
CFU17M3HW0	RF107-1-3699	8	14	0	14	0	115-125	150-160	120-130	130-140
CFU21M3HW0	RF107-1-3699	9	14	0	14	0	115-125	150-160	120-130	130-140
MFC05M0BW5	NSB30LBCM	6	12	0	12	0	120-130	155-165	60-70	70-80
MFC05M3BW5	NSB30LBCM	6	12	0	12	0	120-130	155-165	60-70	70-80
MFC20M4FW3	FGS70HA	11.5	15	0	15	0	105-120	140-155	115-130	115-135
MFU09M2GW2	EM30HNR	7	15	0	15	0	100-115	140-150	75-110	75-110
MFU09M2GW3	EM45HNR	6.5	15	0	15	0	100-115	140-150	75-110	75-110
MFU14F3GW4	EM55HNR	6.5	14	0	14	0	110-120	150-160	110-120	115-125
MFU14F3GW5	EM55HNR	6.5	14	0	14	0	110-120	150-160	110-120	115-125
MFU14M2GW1	EM60HSC	7	15	0	15	0	100-115	140-150	75-110	75-110
MFU17FEGW2	RF107-1-3665	7.5	14	0	14	0	110-125	150-165	135-160	145-165
MFU17F3GW3	RF107-1-3665	7.5	14	0	14	0	110-125	150-165	135-160	145-165
MFU17F3GW4	RF107-1-3699	7.5	14	0	14	0	110-125	150-165	135-160	145-165
MFU17F3GW5	RF107-1-3699	7.5	14	0	14	0	110-125	150-165	135-160	145-165
MFU17F3GW6	RF107-1-3699	7.5	14	0	14	0	110-125	150-165	135-160	145-165
MFU17M3GW1	RF107-1-3699	9	14	0	14	0	115-125	150-160	120-130	130-140

UNIVERSAL / MULTIFLEX SYSTEM SPECIFICATIONS

MODELS	Compressor Type	Refrigerant (R134a) Oz.	Suction Pressure - PSIG				High Side PSIG (Last 1/3 of cycle)		Wattage Range (Last 1/3 of cycle)	
			Ambient 70°F		Ambient 90°F		70°F	90°F	70°F	90°F
			Cut-In	Cut-Out	Cut-In	Cut-Out				
MFU20F3GW3	RF108-1-3701	7	14	0	14	0	110-125	150-165	135-160	145-165
MFU20F3GW4	RF108-1-3701	7	14	0	14	0	110-125	150-165	135-160	145-165
MFU20F3GW5	RF108-1-3701	7	14	0	14	0	110-125	150-165	135-160	145-165
MFU20F3GW6	RF108-1-3701	7	14	0	14	0	110-125	150-165	135-160	145-165
MFU20F3GW7	RF108-1-3701	7	14	0	14	0	110-125	150-165	135-160	145-165
MFU21M3GW1	RF107-1-3699	9	14	0	14	0	115-125	150-160	120-130	130-140

VENEX SYSTEM SPECIFICATIONS

ER146	RG213-1-3072	6.6	*	*	*	*	*	*	*	*
ER147	RG213-1-3072	6.6	*	*	*	*	*	*	*	*
VV208	RF108-1-3701	7	*	*	*	*	*	*	*	*
VV209	RF108-1-3701	7	*	*	*	*	*	*	*	*

* Information not available.

BROICH SCHEMATIC INDEX LIST

Model	Service Data Sheet	Electrical Diagram	Relay/Overload	System Schematic
CF050	216709800	EC6 / Page 18	C10 / Page 21	*
CF070	216709800	EC6 / Page 18	C10 / Page 21	*
CF090	216709800	EC6 / Page 18	C10 / Page 21	*
CF130	216709800	EC6 / Page 18	C1 / Page 21	*
CF150	216709800	EC6 / Page 18	C1 / Page 21	*
CF180	216709800	EC6 / Page 18	C1 / Page 21	*
F22CW7	216613400	*	*	*
F22VW8	216613400	*	*	*
GDR22CWL0	216661700	*	*	*
GDR22CWL1	216668500	*	*	*
GDR22CWR0	216668500	*	*	*
GDR22CWR1	216668500	*	*	*
R22CW6	216613400	*	*	*
R22CW7	216613400	*	*	*
UL1293ECW9	*	*	*	*
UL1793ECW7	216583700	EC40 / Page 19	C6 / Page 21	SS1 / Page 22
UL2030ECW13	216569300	EC41 / Page 19	C5 / Page 21	SS8 / Page 23
UL5000ECW4	216619200	EC43 / Page 19	C6 / Page 21	SS6 / Page 23

EDINA TECH SCHEMATIC INDEX LIST

FMR7	216724900	EC6 / Page 18	C9 / Page 21	*
------	-----------	---------------	--------------	---

FRIGIDAIRE SCHEMATIC INDEX LIST

FFC05M5CW4	216713500	EC69 / Page 20	C10 / Page 21	SS3 / Page 22
FFC07M5HW0	216372500	EC1 / Page 18	C9 / Page 21	SS3 / Page 22
FFC09M5HW0	216372500	EC1 / Page 18	C9 / Page 21	SS3 / Page 22
FFC13D7HW0	216651500	EC25 / Page 18	C10 / Page 21	SS9 / Page
FFC15M6CW3	216615900	EC1 / Page 18	C1 / Page 21	SS1 / Page
FFC15M6CW4	216700200	EC69 / Page 20	C10 / Page 21	SS1 / Page
FFC20D7GW1	216616400	EC25 / Page 18	C1 / Page 21	SS6 / Page

* Information not available.

FRIGIDAIRE SCHEMATIC INDEX LIST

Model	Service Data Sheet	Electrical Diagram	Relay/Overload	System Schematic
FFC20D7HW0	216651500	EC25 / Page 18	C10 / Page 21	SS9 / Page 23
FFC20D7HW1	216700100	EC70 / Page 20	C10 / Page 21	SS9 / Page 23
FFU11F0HW0	216667000	EC33 / Page 18	C9 / Page 21	SP19 / Page 23
FFU14F9GW2	216583900	EC41 / Page 19	C9 / Page 21	SS8 / Page 23
FFU14F9GW3	216583900	EC41 / Page 19	C9 / Page 21	SS8 / Page 23
FFU14M8HW0	216576600	EC40 / Page 19	C23 / Page 21	SS1 / Page 22
FFU17D7HW0	216614200	EC48 / Page 19	C6 / Page 21	SS5 / Page 22
FFU17F9GW2	216569300	EC41 / Page 19	C5 / Page 21	SS8 / Page 23
FFU17F9GW3	216569300	EC41 / Page 19	C5 / Page 21	SS8 / Page 23
FFU17F9HW0	216569300	EC41 / Page 19	C5 / Page 21	SS8 / Page 23
FFU17F9HW1	216569300	EC41 / Page 19	C5 / Page 21	SS8 / Page 23
FFU17G9HW0	216569300	EC41 / Page 19	C5 / Page 21	SS8 / Page 23
FFU17G9HW1	216569300	EC41 / Page 19	C5 / Page 21	SS8 / Page 23
FFU20F9GW2	216569300	EC41 / Page 19	C5 / Page 21	SS8 / Page 23
FFU20F9GW3	216569300	EC41 / Page 19	C5 / Page 21	SS8 / Page 23
FFU20F9GW0	216569300	EC41 / Page 19	C5 / Page 21	SS8 / Page 23
FFU20F9GW1	216569300	EC41 / Page 19	C5 / Page 21	SS8 / Page 23
FFU20G9GW2	216602700	EC58 / Page 20	C5 / Page 21	SS8 / Page 23
FFU20G9HW0	216569300	EC41 / Page 19	C5 / Page 21	SS8 / Page 23
FFU20G9HW1	216569300	EC41 / Page 19	C5 / Page 21	SS8 / Page 23
FFU21D7HW0	216614200	EC48 / Page 18	C6 / Page 21	SS5 / Page 22
FFU21D9GW0	216594400	EC42 / Page 19	C6 / Page 21	SS5 / Page 22

GIBSON SCHEMATIC INDEX LIST

GFC05M0HW0	216372500	EC1 / Page 18	C9 / Page 21	SS3 / Page22
GFC05M0HW1	216713500	EC69 / Page 20	C10 / Page 21	SS3 / Page 22
GFC05M3EW3	216713500	EC69 / Page 20	C10 / Page 21	SS3 / Page 22
GFC13M0HW0	216651600	EC1 / Page 18	C10 / Page 21	SS1 / Page 22
GFC15M4AW5	216615900	EC1 / Page 18	C1 / Page 21	SS1 / Page22

GIBSON SCHEMATIC INDEX LIST

Model	Service Data Sheet	Electrical Diagram	Relay/Overload	System Schematic
GFC20M4GW2	216651200	EC69 / Page 20	C10 / Page 21	SS1 / Page 22
GFC25M4HW0	216616100	EC1 / Page 18	C1 / Page 21	SS1 / Page 22
GFU09M2HW0	216576600	EC40 / Page 19	C23 / Page 21	SS1 / Page 22
GFU09M2HW1	216576600	EC40 / Page 19	C23 / Page 21	SS1 / Page 22
GFU09M2HW2	216576600	EC40 / Page 19	C23 / Page 21	SS1 / Page 22
GFU12M0HW0	216576600	EC40 / Page 19	C23 / Page 21	SS1 / Page 22
GFU14F3HW0	216583900	EC41 / Page 19	C9 / Page 21	SS8 / Page 23
GFU14F3HW1	216583900	EC41 / Page 19	C9 / Page 21	SS8 / Page 23
GFU17D5GW0	216614200	EC48 / Page 19	C6 / Page 21	SS5 / Page 22
GFU17F7GW2	216569300	EC41 / Page 19	C5 / Page 21	SS8 / Page 23
GFU17F7GW3	216569300	EC41 / Page 19	C5 / Page 21	SS8 / Page 23
GFU20F7GW2	216569300	EC41 / Page 19	C5 / Page 21	SS8 / Page 23
GFU20F7GW3	216569300	EC41 / Page 19	C5 / Page 21	SS8 / Page 23
GFU21D9FW1	216595400	EC48 / Page 19	C6 / Page 21	SS5 / Page 22
GFU21M7HW0	216569200	EC40 / Page 19	C6 / Page 21	SS1 / Page 22

UNIVERSAL / MULTIFLEX SCHEMATIC INDEX LIST

CFC05M0HW0	216372500	EC1 / Page 18	C9 / Page 21	SS3 / Page 22
CFC05M0HW1	216713500	EC69 / Page 20	C10 / Page 21	SS3 / Page 22
CFC07M1HW0	216372500	EC1 / Page 18	C9 / Page 21	SS3 / Page 22
CFC07M3HW0	216372500	EC1 / Page 18	C9 / Page 21	SS3 / Page 22
CFC09M1HW0	216372500	EC1 / Page 18	C9 / Page 21	SS3 / Page 22
CFC09M6HW0	216372500	EC1 / Page 18	C9 / Page 21	SS3 / Page 22
CFC13M4HW0	216651600	EC1 / Page 18	C10 / Page 21	SS1 / Page 22
CFC13M6HW0	216615900	EC1 / Page 18	C1 / Page 21	SS1 / Page 22
CFC15M4HW0	216651600	EC1 / Page 18	C10 / Page 21	SS1 / Page 22
CFC20M4HW0	216616100	EC1 / Page 18	C1 / Page 21	SS1 / Page 22
CFC20M4HW1	216651200	EC69 / Page 20	C10 / Page 21	SS1 / Page 22
CFC25M4HW0	216651200	EC69 / Page 20	C10 / Page 21	SS1 / Page 22

UNIVERSAL / MULTIFLEX SCHEMATIC INDEX LIST

Model	Service Data Sheet	Electrical Diagram	Relay/Overload	System Schematic
CFU09M2HW0	216576600	EC40 / Page 19	C23 / Page 21	SS1 / Page 22
CFU09M2HW1	216576600	EC40 / Page 19	C23 / Page 21	SS1 / Page 22
CFU09M2HW2	216576600	EC40 / Page 19	C23 / Page 21	SS1 / Page 22
CFU12M2HW0	216576600	EC40 / Page 19	C23 / Page 21	SS1 / Page 22
CFU14F3HW0	216583900	EC41 / Page 19	C9 / Page 21	SS8 / Page 23
CFU14F3HW1	216583900	EC41 / Page 19	C9 / Page 21	SS8 / Page 23
CFU14M2HW0	216576600	EC40 / Page 19	C23 / Page 21	SS1 / Page 22
CFU17F3HW0	216569300	EC41 / Page 19	C5 / Page 21	SS8 / Page 23
CFU17M3HW0	216569200	EC40 / Page 19	C6 / Page 21	SS1 / Page 22
CFU21M3HW0	216569200	EC40 / Page 19	C6 / Page 21	SS1 / Page 22
MFC05M0BW5	216713500	EC69 / Page 20	C10 / Page 21	SS3 / Page 22
MFC05M3BW5	216713500	EC69 / Page 20	C10 / Page 21	SS3 / Page 22
MFC20M4FW3	216651200	EC69 / Page 20	C10 / Page 21	SS1 / Page 22
MFU09M2GW2	216576600	EC40 / Page 19	C23 / Page 21	SS1 / Page 22
MFU09M2GW3	216576600	EC40 / Page 19	C23 / Page 21	SS1 / Page 22
MFU14F3GW4	216583900	EC41 / Page 19	C9 / Page 21	SS8 / Page 23
MFU14F3GW5	216583900	EC41 / Page 19	C9 / Page 21	SS8 / Page 23
MFU14M2GW1	216704200	EC40 / Page 19	C26 / Page 21	SS1 / Page 22
MFU17F3GW2	216569300	EC41 / Page 19	C5 / Page 21	SS8 / Page 23
MFU17F3GW3	216569300	EC41 / Page 19	C5 / Page 21	SS8 / Page 23
MFU17F3GW4	216569300	EC41 / Page 19	C5 / Page 21	SS8 / Page 23
MFU17F3GW5	216569300	EC41 / Page 19	C5 / Page 21	SS8 / Page 23
MFU17F3GW6	216569300	EC41 / Page 19	C5 / Page 21	SS8 / Page 23
MFU17M3GW1	216569200	EC40 / Page 19	C6 / Page 21	S1 / Page 22
MFU20F3GW3	216569300	EC41 / Page 19	C5 / Page 21	SS8 / Page 23
MFU20F3GW4	216633000	EC41 / Page 19	C1 / Page 21	SS8 / Page 23
MFU20F3GW5	216633000	EC41 / Page 19	C1 / Page 21	SS8 / Page 23
MFU20F3GW6	216569300	EC41 / Page 19	C5 / Page 21	SS8 / Page 23

UNIVERSAL / MULTIFLEX SCHEMATIC INDEX LIST

Model	Service Data Sheet	Electrical Diagram	Relay/Overload	System Schematic
MFU20F3GW7	216569300	EC41 / Page 19	C5 / Page 21	SS8 / Page 23
MFU21M3GW1	216569200	EC40 / Page 19	C6 / Page 21	S1 / Page 22

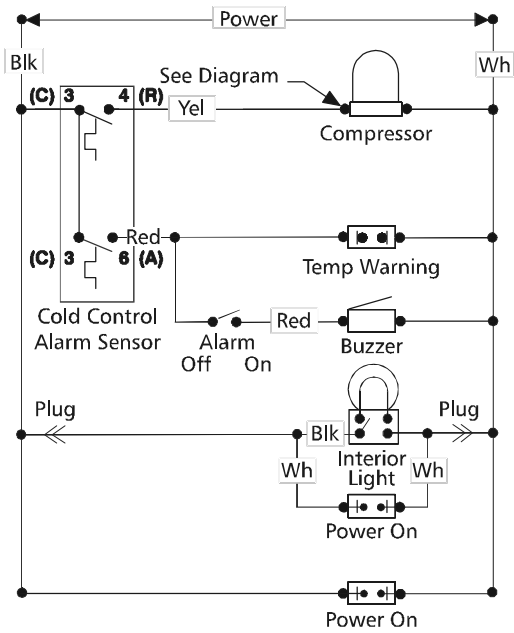
VENEX INC. SCHEMATIC INDEX LIST

ER146	216607700	EC58 / Page 20	C1 / Page 21	*
ER147	216607700	EC58 / Page 20	C1 / Page 21	*
VV208	216560000	EC29 / Page 18	C1 / Page 21	*
VV209	216560000	EC29 / Page 18	C1 / Page 21	*

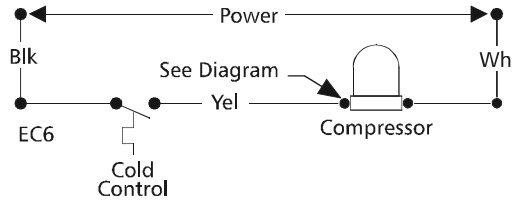
* Information not available.

ELECTRICAL CIRCUITS

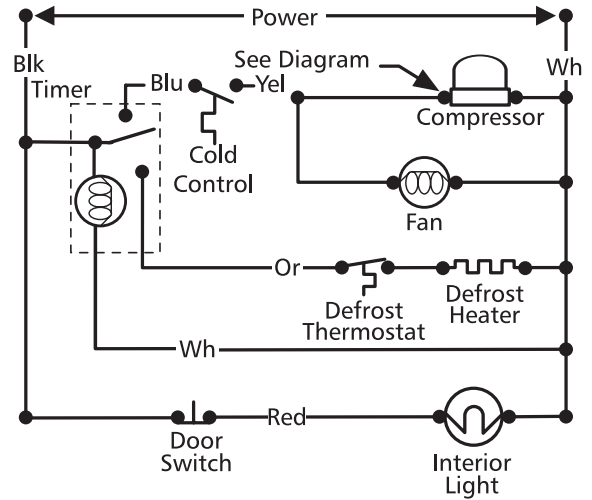
EC1



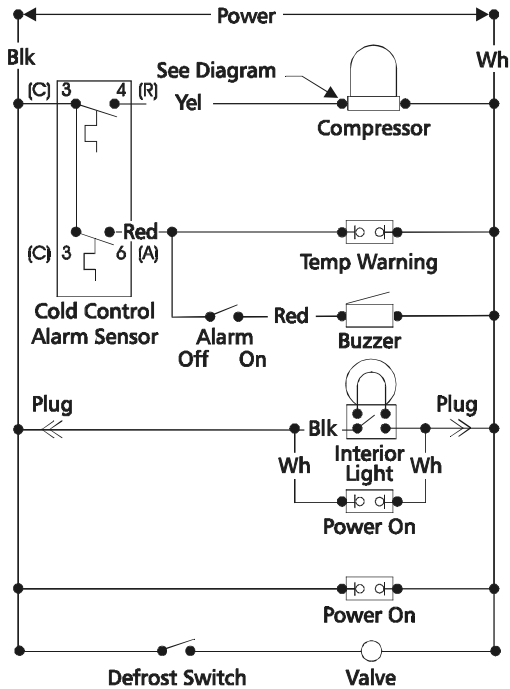
EC6



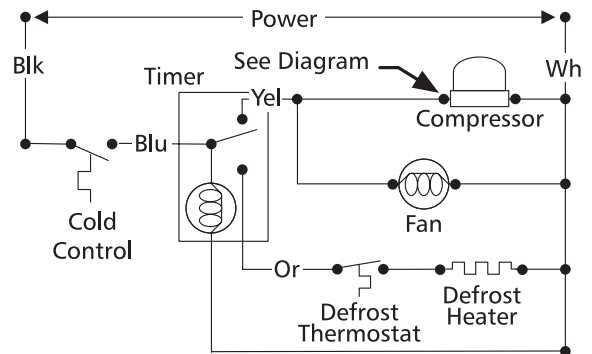
EC29



EC25

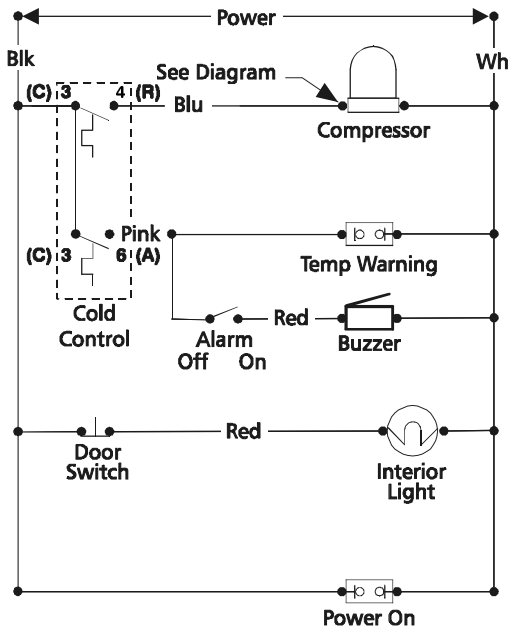


EC33

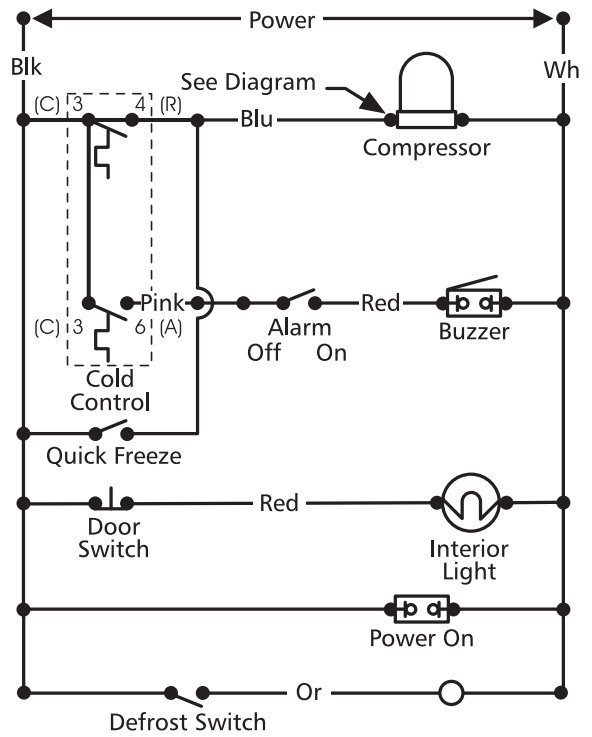


ELECTRICAL CIRCUITS

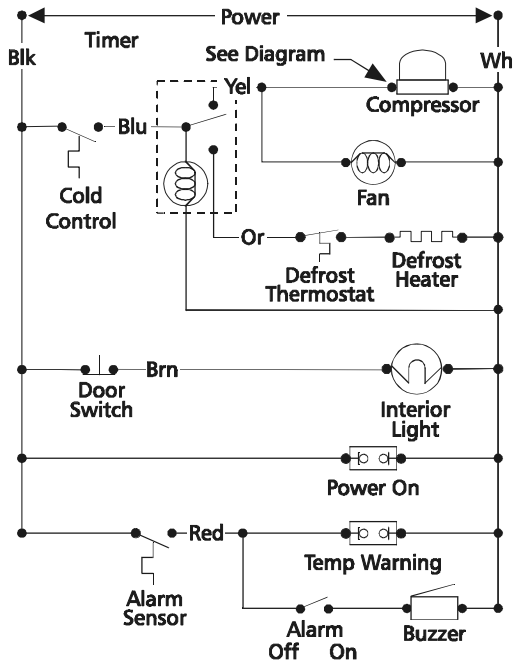
EC40



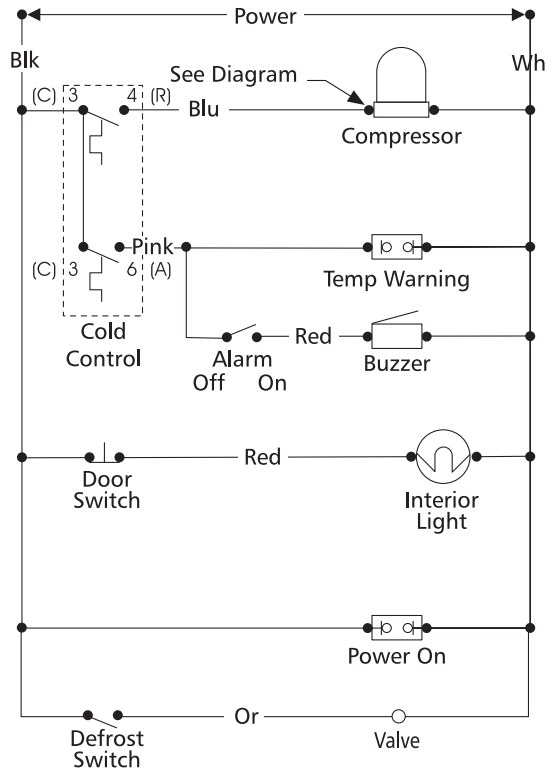
EC 43



EC41

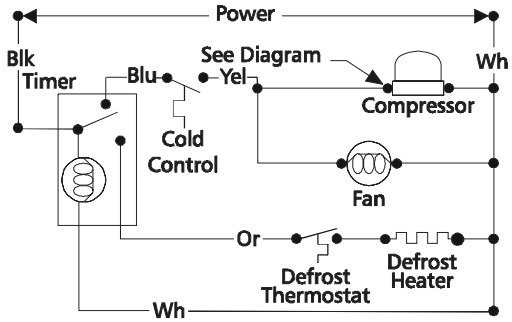


EC48

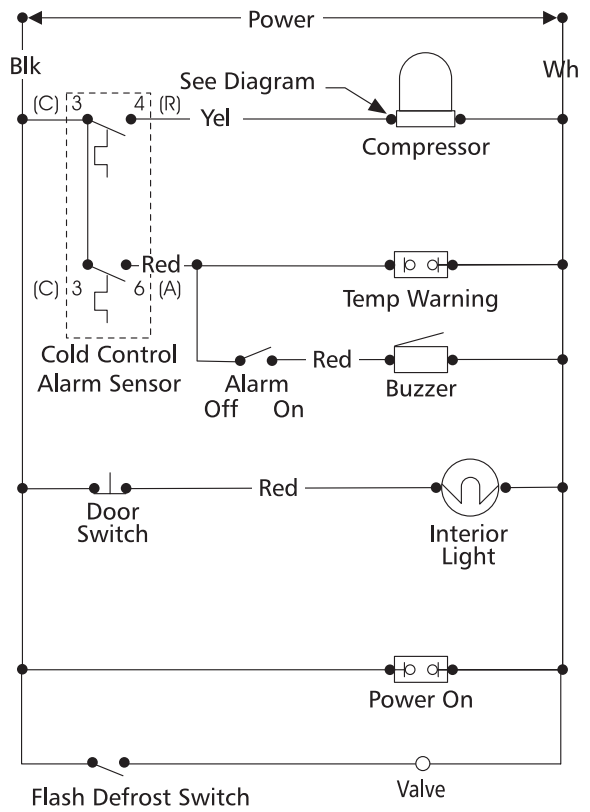


ELECTRICAL CIRCUITS

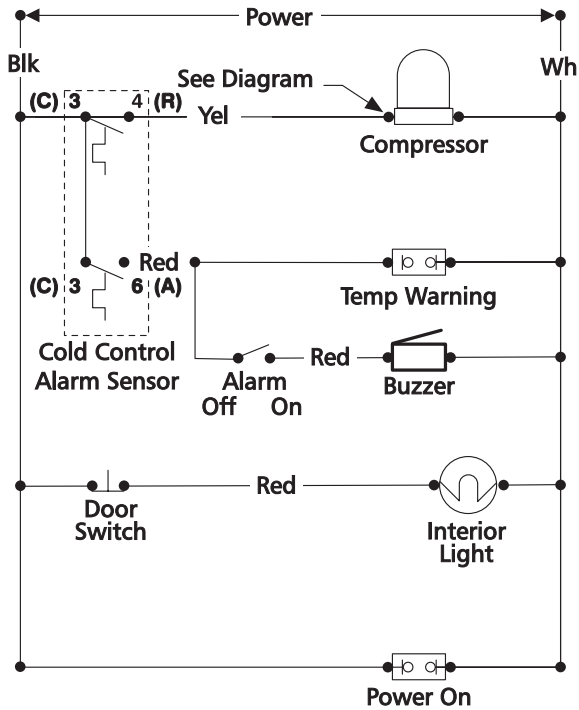
EC58



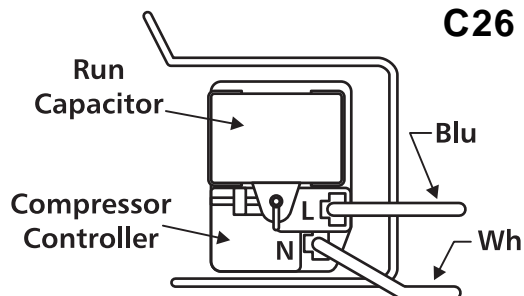
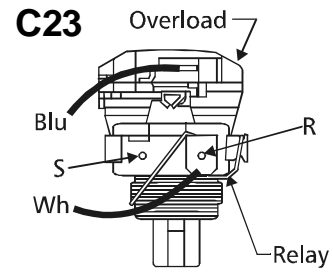
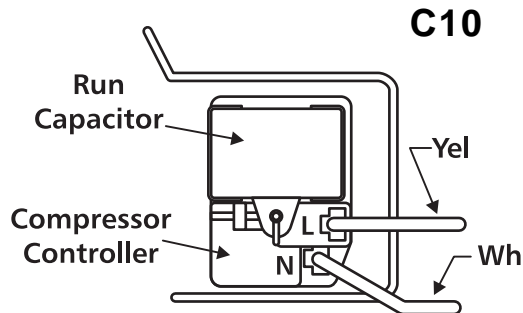
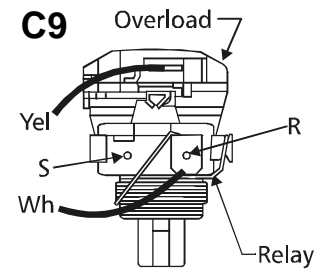
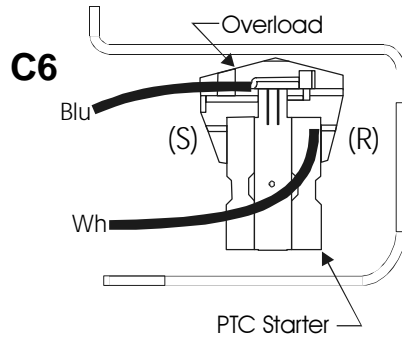
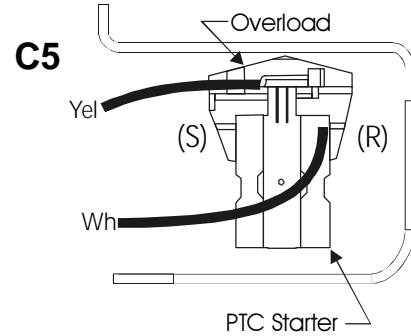
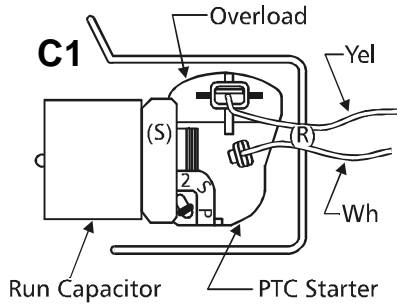
EC70



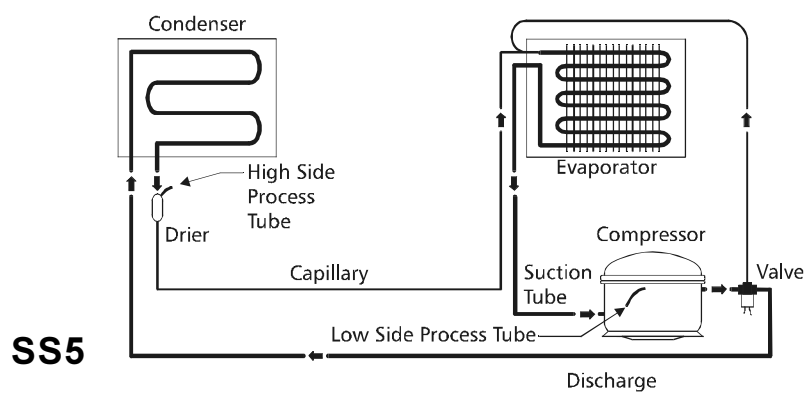
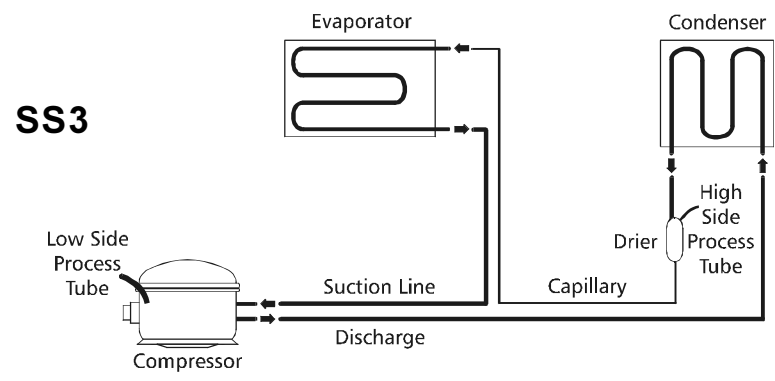
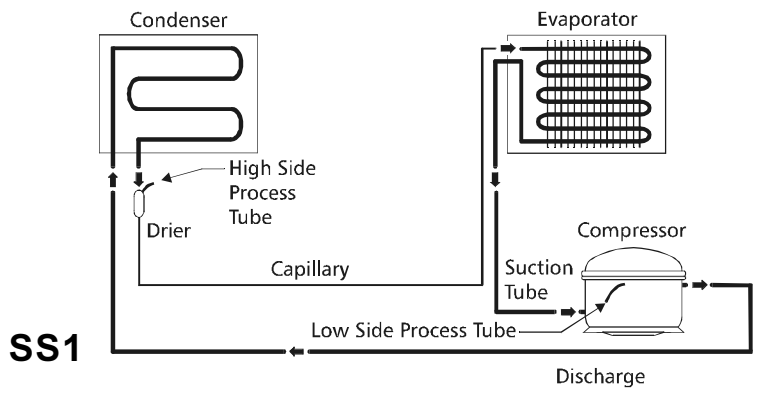
EC69



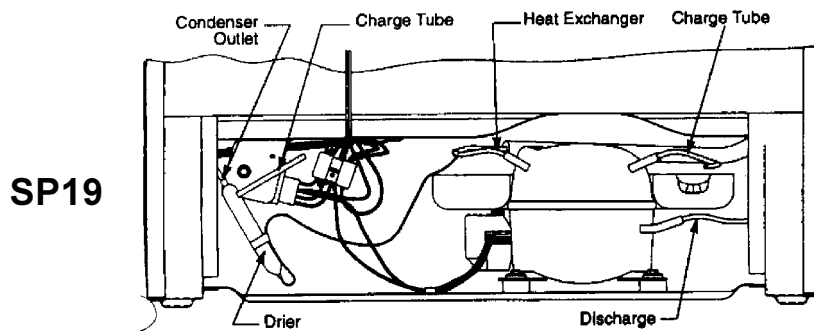
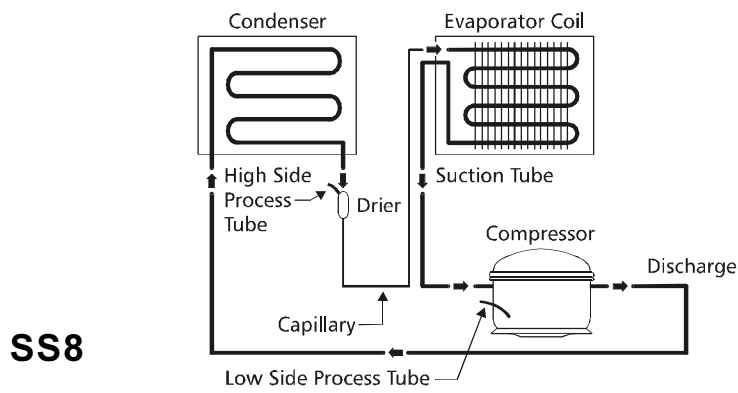
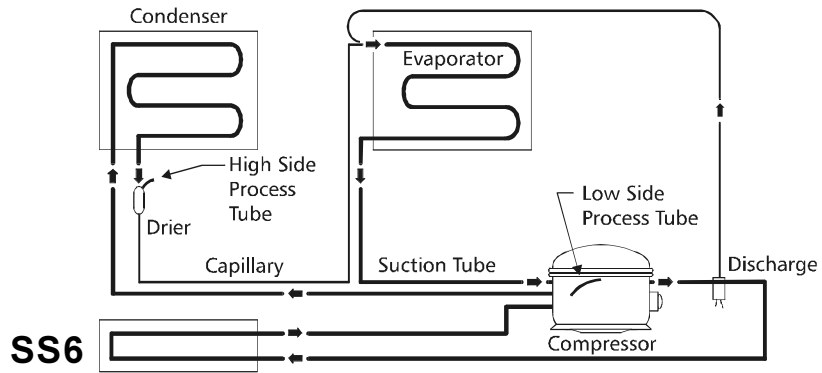
RELAY / OVERLOAD SCHEMATICS



SYSTEM SCHEMATICS



SYSTEM SCHEMATICS



TROUBLESHOOTING GUIDE

PROBLEM	CAUSE	REMEDY
Compressor will not run.	No voltage at wall receptacle.	Check circuit breaker, fuse or Ground Fault Circuit Interruptors.
	Service cord defective, or unplugged at wall receptacle.	Check cord.
	Low voltage causing compressor to cycle on overload.	Voltage fluctuation should not exceed +/- 10% of 115VAC. (104 - 127 VAC)
	Control Thermostat knob in OFF position.	Turn Control Thermostat knob to the ON position.
	Inoperative Control Thermostat.	Replace Control Thermostat.
	Compressor stuck.	Replace compressor.
	Compressor windings open.	Replace compressor.
	Defrost Timer stuck in defrost mode. (Frost Free Models Only)	Replace Defrost Timer.
	Compressor overload stuck open.	Replace compressor overload.
	Relay lead loose.	Repair or replace lead.
	Relay loose or inoperative.	Replace relay.
	Service cord pulled out of harness.	Repair connection.
	Faulty cabinet wiring.	Repair wiring.
Compressor runs but no refrigeration.	System out of refrigerant.	Check for leaks.
	Compressor not pumping.	Replace compressor.
	Restricted Filter Drier.	Replace Filter Drier.
	Restricted capillary tube.	Replace heat exchanger and evaporator assembly on Upright freezers. On Chest freezers, contact the Customer Assistance Center for product replacement.
	Moisture in system.	Repair or replace component that is leaking. Replace the compressor if the system is contaminated. Blow out remaining part of system with Dry Nitrogen. Pump down and re-charge.

PROBLEM	CAUSE	REMEDY
Compressor short cycles.	Erratic Control Thermostat.	Replace Control Thermostat.
	Faulty relay.	Replace relay.
	Restricted air flow over cabinet. (Condenser is in cabinet)	Leave a 3" space on all sides of the freezer for adequate circulation of air around freezer.
	Low voltage. Fluctuation exceeds +/- 10% of 115 VAC. (104-127 VAC)	Call a qualified electrician.
	Compressor draws excessive wattage.	Replace compressor.
Compressor runs too much.	Erratic Control Thermostat, or improperly set.	Replace Control Thermostat, or re-set to normal position.
	Freezer exposed to unusual heat.	Relocate freezer.
	High room temperature. (110° or higher)	Advise customer.
	Low pumping capacity compressor.	Replace compressor.
	Door gaskets not sealing.	Adjust or replace necessary parts.
	System undercharged.	Check for leaks.
	System overcharged.	Correct charge.
	Interior light stays on.	Check door switch.
	Non-condensables in system.	Flush out system. Replace filter drier, evacuate and recharge.
	Capillary tube kinked or partially restricted.	Replace heat exchanger and evaporator assembly on Upright freezers. On Chest freezers, contact the Customer Assistance Center for product replacement.
	Filter drier partially restricted.	Replace filter drier.
	Excessive service load.	Advise customer.
	Restricted air flow over cabinet. (Condenser is in cabinet)	Leave a 3" space on all sides of the freezer for adequate circulation of air around freezer.

PROBLEM	CAUSE	REMEDY
Noisy	Tubing vibrates.	Adjust tubing.
	Internal compressor noise.	Replace compressor.
	Loose parts.	Check shelving, kickplate, defrost drain pan.
	Compressor operating at high head pressure due to restricted air flow over cabinet. (Condenser is in cabinet)	Leave a 3" space on all sides of the freezer for adequate circulation of air around freezer.
	Inoperative evaporator fan motor. (Frost Free models only)	Check wiring and evaporator fan motor.
Freezer compartment too warm.	Improperly positioned fan.	Position fan 1/8" from leading edge of fan blade to freezer lines on Frost Free models. On manual defrost models, advise customer..
	Evaporator frosted up.	Check defrost system on Frost Free models. On manual defrost freezers, advise customer.
	Restricted air flow over cabinet. (Condenser is in cabinet)	Leave a 3" space around all sides of the freezer for adequate circulation of air around freezer.
	Excessive service load.	Advise customer.
	High room temperatures. (110° or higher)	Advise customer.
	Freezer compartment door left open.	Advise customer.
	Control Thermostat out of calibration.	Replace Control Thermostat.
	Door gasket not sealing.	Adjust or replace necessary parts.
	Control Thermostat capillary tube improperly positioned.	Reposition sensing element.
	Shortage of refrigerant.	Check for leaks.
Restricted filter drier or capillary tube.	Check for leaks or burnt compressor windings.	

PROBLEM	CAUSE	REMEDY
Automatic Defrost Models Only Evaporator blocked with ice.	Inoperative Defrost Timer.	Check wiring and Defrost Timer.
	Defrost Thermostat terminates too early.	Check for correct positioning of Defrost Thermostat or replace.
	Defrost Timer wired incorrectly.	Check wiring.
	Inoperative fan motor.	Check wiring and fan motor.
	Inoperative Defrost Thermostat.	Check wiring and Defrost Thermostat.
	Inoperative Defrost Heater.	Check wiring and Defrost Heater.
	Freezer door left open.	Advise customer.
	Freezer defrost drain plugged.	Clean drain port.

 **FRIGIDAIRE**
HOME PRODUCTS
PO Box 212378 Augusta, GA 30917