



ELECTROLUX HOME PRODUCTS NORTH AMERICA

SERVICE MANUAL

Tumble Action Washers

With

Electronic Controls

Frigidaire

TAPPAN

W White-Westinghouse

Gibson

Kelvinator 

5995393138

November2003

SAFE SERVICING PRACTICES - ALL APPLIANCES

To avoid personal injury and/or property damage, it is important that **Safe Servicing Practices** be observed. The following are some limited examples of safe practices:

1. **DO NOT** attempt a product repair if you have any doubts as to your ability to complete it in a safe and satisfactory manner.
2. Before servicing or moving an appliance:
 - Remove the power cord from the electrical outlet, trip the circuit breaker to the OFF position, or remove the fuse.
 - Turn off the gas supply.
 - Turn off the water supply.
3. Never interfere with the proper operation of any safety device.
4. **USE ONLY REPLACEMENT PARTS CATALOGED FOR THIS APPLIANCE. SUBSTITUTIONS MAY DEFEAT COMPLIANCE WITH SAFETY STANDARDS SET FOR HOME APPLIANCES.**
5. **GROUNDING:** The standard color coding for safety ground wires is **GREEN**, or **GREEN** with **YELLOW STRIPES**. Ground leads are not to be used as current carrying conductors. It is **EXTREMELY** important that the service technician reestablish all safety grounds prior to completion of service. Failure to do so will create a hazard.
6. Prior to returning the product to service, ensure that:
 - All electrical connections are correct and secure
 - All electrical leads are properly dressed and secured away from sharp edges, high-temperature components, and moving parts
 - All non-insulated electrical terminals, connectors, heaters, etc. are adequately spaced away from all metal parts and panels
 - All safety grounds (both internal and external) are correctly and securely connected
 - All panels are properly and securely reassembled

ATTENTION!!!

This service manual is intended for use by persons having electrical and mechanical training and a level of knowledge of these subjects generally considered acceptable in the appliance repair trade. Electrolux Home Products cannot be responsible, nor assume any liability, for injury or damage of any kind arising from the use of this manual.

SAFE SERVICING PRACTICES	2
QUICK REFERENCE SHEET	6
Serial nameplate location	6
Serial number breakdown	6
Tech sheet location	6
Fault codes	7
Function testing	8
Component resistance chart	9
Water fill height	9
Electrical requirements	9
Incoming water pressure	9
Drain requirements	9
Motor	9
Operation speeds	10
Tub pulley to motor pulley ratio	10
Tub capacity	10
Auto temp control temperature specifications	10
Neutral test point	10
SAMPLE SCHEMATIC	11
OPERATION CHART	12
SECTION A - INSTALLATION INSTRUCTIONS	14
Full size tumble action washer	14
What to do if you smell gas	14
Pre-installation requirements	14
Tools required for installation	14
Electrical requirements	14
Circuit	14
Power supply	14
Outlet receptacle	14
Grounding requirements	14
Water supply requirements	15
Drain requirements	15
Rough-in dimensions	16
Location of your washer	17
Do not install your washer	17
Minimum installation clearances	17
Unpacking	17
Installation	18
Replacement parts	19
SECTION B - OPERATING INSTRUCTIONS	20
Before operating your washer	20
Operating steps	20
Cycle selection	20
Heavy duty	21
Normal wash	21
Quick cycle	21
Delicates and hand wash	21
Silk	21
Drain/spin	21
Cycle adjustments	21
Wash/rinse water temperature	21
Final spin speed	21
Water level	21
Cycle options	21
Heavy soil/stain	22
Auto temp	22
Extra rinse	22

Extra spin	22
Washer features	22
Control lock	22
Signal	22
Delay	22
Display	22
Error codes	22
Cycle selections	23
SECTION C - OWNER'S GUIDE	24
Your safety and the safety of others is very important	24
Pedestal	24
Important safety instructions	24
Read all instructions before using this washer	24
Prevent fire	24
Protect Children	24
Prevent Injury	25
Washing procedures	26
Sort laundry into loads that can be washed together	26
Prepare items for washing	26
Pretreat stains and heavy soil	27
Add laundry load to washer	27
Add detergent, bleach and fabric softener to automatic dispenser	27
Start the washer	28
Remove items when the cycle is completed	29
General precautions	29
Stain removal	29
Safe stain removal procedures	29
Stain removal	30
Common washing problems	31
Care and cleaning	32
Outside	32
Cleaning the dispenser drawer area	32
Inside	33
Avoid service checklist	33
Winterizing instructions	33
Warranty	36
SECTION D - OPERATION	37
Membrane	37
Control and Display	37
Dispenser Drawer Reed Switch	37
Door Switch Assembly	37
Pressure Switch	38
Automatic Dispenser	39
Auto Temp System	40
Water Inlet Valve	41
Drain Pump	42
Speed Control	42
Motor	43
SECTION E - CONSTRUCTION	44
Cabinet	44
Front Panel and Door Assembly	44
Bellows (Door Boot)	44
Outer Tub Assembly	44
Spin Basket Assembly	44
SECTION F - TROUBLESHOOTING FLOW CHARTS	45
Motor and speed control plug numbers	46
Control board connectors	47

Washer completely inoperative	48
Display does not illuminate	49
Washer will not fill	49
Washer does not advance through the cycles	50
Washer does not drain	50
Bleach dispenser does not operate	51
Softener dispenser does not operate	51
Drive motor does not turn	52
Drive motor spins but does not tumble	53
Drive motor tumbles but does not spin	53
Drive motor tumbles very slowly in any timer position	54
Incorrect spin speed for selected setting	54
Water fill does not turn off	55
Incorrect water level	55
Slow water fill	56
Warm water temperature above or cold water temperature below specifications	56
Washer will only fill with cold water in the wash cycle, when the warm/cold setting is selected	57
Washer will only fill with hot water in the wash cycle, when the warm/cold setting is selected	57
SECTION G - TEARDOWN	58
Removing the detergent drawer	58
Detergent drawer disassembly	58
Removing the top panel	59
Removing the console	59
Removing the control and display	60
Removing the reed switch	61
Removing the front service panel	61
To remove loading door and hinge	62
Disassembling the door	62
To remove door strike	63
Removing the door safety switch	63
Removing the bellow or boot	64
Reinstalling or replacing the boot	65
Removing the water inlet duct	68
Removing the detergent dispenser solenoid assembly	68
Removing the detergent cavity assembly	68
Removing the pressure switch	69
Removing the suspension springs	70
Removing the automatic temperature control sensor	70
Removing the water inlet valve	70
Removing the drain pump assembly	70
Disassembling the drain pump	71
To remove the air bell	71
Removing the back service panel	72
Removing the speed control board assembly	72
Drive belt	73
To remove or replace the drive belt	73
Removing the drive motor	74
Removing the large pulley	74
Removing the rear counter weight	75
Removing the air shock absorber	75
Removing the outer tub	75
Removing the spin basket and rear tub half	75
Removing the front counter weights	76
Removing the spin basket vanes	76

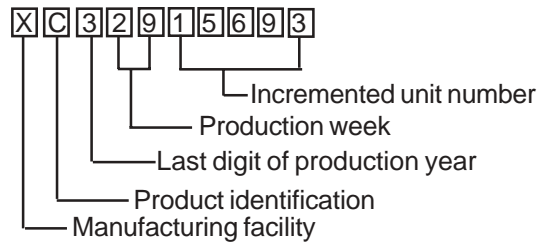
QUICK REFERENCE SHEET

1. Serial nameplate location:

On the front panel at the top center of the washer door opening.



2. Serial number breakdown.



3. Tech sheet location

On the lefthand bodyside behind the front access panel.



QUICK REFERENCE SHEET

Fault Codes:

Display shows: F 01

Indicates: An internal fault in the control.

Correction: Touch the **Stop/Clear** pad. If the display continues to display F1 or if the code returns when the washer is re-stated, replace the control.

Display shows: F 02

Indicates: A water temperature problem.

Correction: First check to see if the incoming water hoses are connected properly. If so, disconnect both wires from the water temperature sensor and measure the resistance of the sensor. If the reading is less than 3K or more than 163K, replace the sensor. If the reading is between 3K and 163K, reconnect the wires to the sensor and unplug the small four pin plug from the control board. Measure the resistance between pins 3 and 4 in the plug. If the reading is the same as the sensor reading, replace the control board. If the meter reading is not the same as that at the sensor, the wiring between the control board and sensor is defective.

Display shows: F 03

Indicates: Water level problem caused by either no incoming water or the drain pump not working.

Correction: Touch the **Stop/Clear** pad to clear the F 03. Check the drum for water. If the drum has a normal fill of water, touch the **Drain/Spin** pad and press the start pad. If the water does not pump out, remove the front access panel and measure the voltage drop across terminals of the drain pump. If the meter reads 120 VAC, the drain pump is defective or the drain hose is plugged. If the meter reads zero, disconnect power, remove the large four pin plug (JX) and the eight pin plug(J11) from the back of the control. Measure the resistance between pin 3 in the four pin plug and pin 3 of the eight pin plug. If the meter reads

open, the wires between the control board and the drain pump are defective. If the meter reads around 15 Ohms, the control board should be replaced.

If the drum does not have water in it, start the washer in the **Normal Cycle** and select **Warm Wash**. If the washer does not fill, make sure the faucets are turned on, unplug one of plugs from the water valve and measure the voltage drop across the terminals in the plug. If the meter reads 120VAC, the water valve is defective. If the meter reads zero, measure for voltage from each terminal in the plug to neutral. If the meter reads zero from each terminal, the pressure switch or the wiring to the pressure switch is defective. If the meter reads 120VAC from one terminal, the control board or the wiring from the valve to the control board is defective.

If the washer is over filling, check the pressure switch or the tube to the pressure switch.

Display shows: F 04

Indicates: The washer is not advancing through it increments.

Correction: Touch Stop/Clear to clear the F 04. Select and start the washer in the Heavy Duty wash cycle with the Heavy Soil/Stain Option deactivated. If the tub does not start turning while filling or within 30 seconds after the fill is completed, troubleshoot for a motor will not run problem. If the motor is running and the tub is filled, let the washer run for at least 6 minutes. Measure the voltage between pin one of the 8 pin connector (J11) and pin 7 of the 7 pin connector (J6). The voltage should be below 50 VAC when the timer advances is off and line voltage when the timer advance is on. If the meter reading does not switch between these two reading, the motor speed control is defective. If the meter reading switches between these two reading, the electronic control board is defective.

Display shows: F 05

Indicates: A problem with the key pad.

QUICK REFERENCE SHEET

Correction: Disconnect the keypad ribbon from the control and reconnect the ribbon. Try all keypad switches to see they all function correctly. If they do not, then try clean the end of the ribbon with a soft cotton cloth. Reinstall the ribbon and program the washer to operate. If the code reoccurs, replace the touch pad.

Note: See control removal instructions on how to disconnect ribbon.

Code: ddo

Indicates: Drawer reed switch is not closed.

Correction: Make sure the drawer is closed. If the drawer is closed, check that the magnet in the drawer is in the correct position. If the magnet is in the correct position, check the reed switch.

Code: dr

Indicates: Door switch is not closed.

Correction: Check that the door is closed and the door catch is not broken. If so, replace the door lock assembly.

Function Testing:

Test programs are built into the control to allow different functions to be activated with out wait for the function to occur in the cycle.

Membrane test:

To start the test programs, remove power from the washer. Then reconnect power to the washer and within 10 seconds press and hold the temps and the stop pads for at least 2 seconds, then release. The control is now in the test function.

1. Starting with the Cycles pad, touch each pad and see that appropriate LED's or the appropriate display symbol illuminates.

Note: When Delay pad is touched, the complete display illuminates.

Online test:

To start the test program, remove power from the washer. Then reconnect power to the washer and within 10 seconds press and hold the temp and the stop pads for at least 2 seconds, then release. The control is now in the test function.

1. Press the stop pad and then the start pad, (H) will appear in the display and the hot water valve circuit is activated.
2. Retouch the start pad and the test will advance to the cold water test. (C) will appear in the display and the cold water valve circuit is activated.
3. Retouch the start pad and the test will advance to the warm water test. (HC) will appear in the display and both the hot water valve circuit and the cold water valve circuit are activated.
4. Retouch the start pad and the test will advance to the bleach dispenser test. (bL) will appear in the display and the bleach solenoid circuit is activated.
5. Retouch the start pad and the test will advance to the fabric softener test. (FA) will appear in the display and the fabric softener solenoid circuit is activated.
6. Retouch the start pad and the test will advance and release the door solenoid. (dr) will appear in the display and the door can be opened.
7. Retouch the start pad and the test will advance to the agitation and warm water test. (HC) will appear in the display and the drum will fill with warm water and agitate.
8. Retouch the start pad and the test will advance to the final spin test. (FS) will appear in the display and in about 30 second the washer will go into final spin.

Press stop pad, then the start pad to repeat the test. To remove the washer from the test mode, disconnect power from the washer or press and hold the stop and cycles pads for at least 2 seconds, then release.

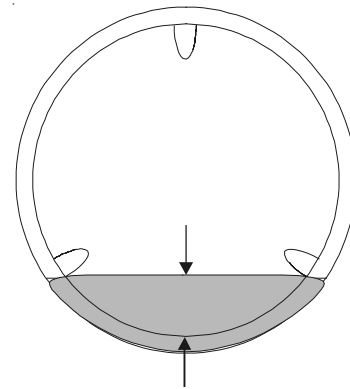
Demo Mode - For sales demonstration of the board LED's without function of the washer, remove power from the washer. Reconnect power to the washer and within 10 seconds, hold the stop/clear pad for at least 6 seconds. To remove the washer from the test mode, disconnect power from the washer or press and hold the stop and cycles pads for at least 2 seconds, then release.

QUICK REFERENCE SHEET

Component resistance chart.

Electrical component		Resistance Ω @ 77° F (25°C)
Water valve solenoids		880 \pm 10%
Door lock solenoid		380 \pm 10%
Pump motor		15 \pm 7%
Dispenser valve solenoids		1100 \pm 7%
NTC Thermistor		3K - 163K
Motor	M1 TO M2	2.6 \pm 7%
	M2 TO M3	2.6 \pm 7%
	M1 TO M3	2.6 \pm 7%
	M5 TO M6	184 \pm 7%

Water fill height 2 1/2 \pm 5/8 IN. (11.75 \pm 0.95 CM)
No load, start position of permanent press cycle.



Electrical requirements.

Circuit - Individual, properly polarized and grounded
15 amp. branch circuit fused with 15 amp. time delay
fuse or circuit breaker.

Incoming water pressure.

30 and 120 pounds per square inch (maximum
unbalance pressure, hot vs. cold, 10 psi.)

Drain requirements.

Drain capable of eliminating 17 gals (64.3 L) per minute.

A standpipe diameter of 1-1/4 in. (3.18 cm) minimum.

The standpipe height above the floor should be:

Minimum height: 24 in. (61 cm)

Maximum height: 96 in. (244 cm)

Motor.

Agitate wattage - Max 200

Spin wattage - Max 475

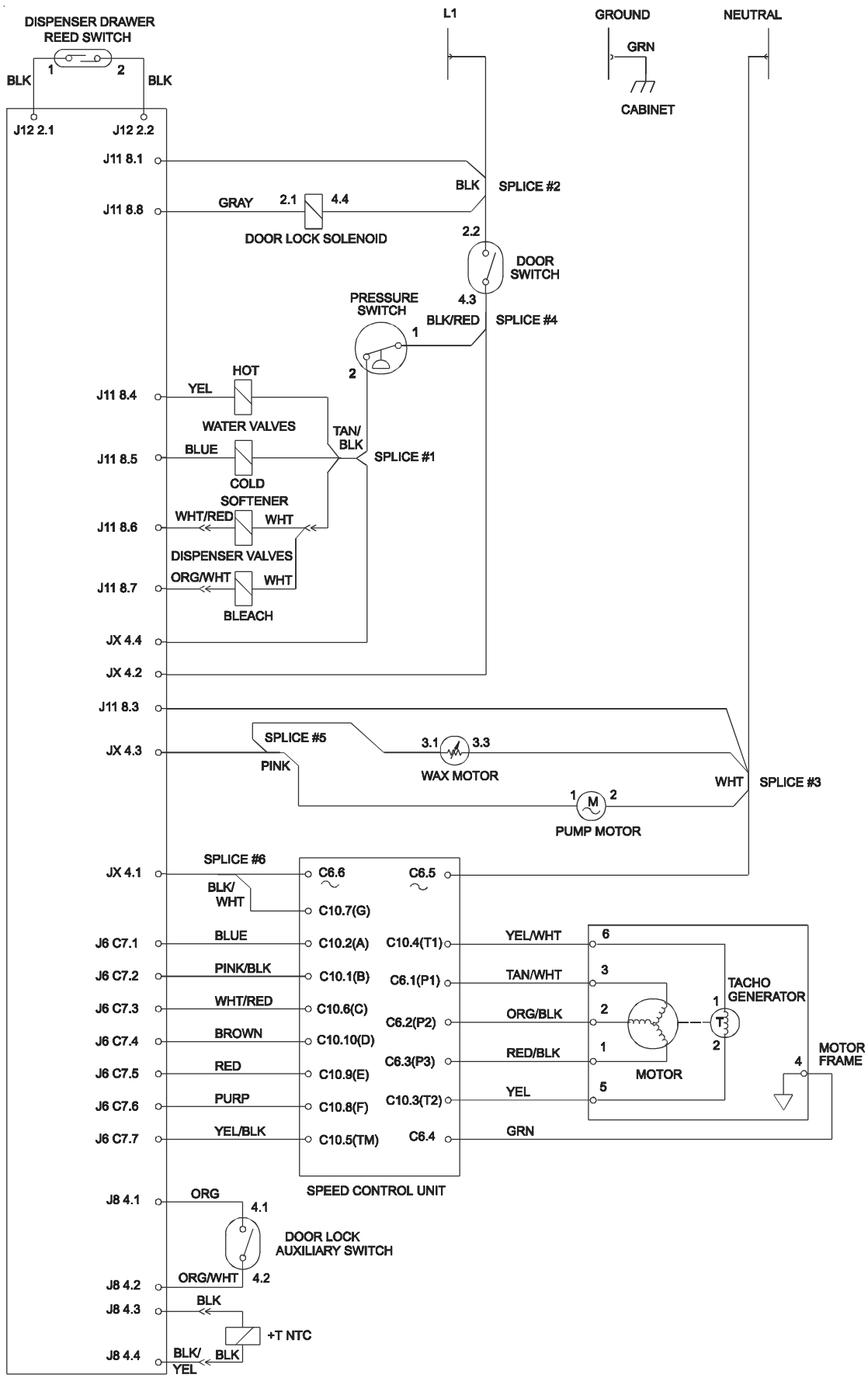
Operation speeds:

Agitate Speed - RPM (Heavy Duty/Normal/Quick)	51 ± 4
Agitate Speed - RPM (Hand Wash)	35 ± 4
Spin speeds	
Heavy Duty	
Spin Speed R.P.M. (Low)	850 ± 35
Spin Speed R.P.M. (Medium)	900 ± 39
Spin Speed R.P.M. (Max)	950 ± 39
Normal	
Spin Speed R.P.M. (Low)	850 ± 35
Spin Speed R.P.M. (Medium)	900 ± 39
Spin Speed R.P.M. (Max)	950 ± 39
Quick	
Spin Speed R.P.M. (Low)	850 ± 35
Spin Speed R.P.M. (Medium)	900 ± 39
Spin Speed R.P.M. (Max)	900 ± 39
Delicates/Hand Wash	
Spin Speed R.P.M. (Low)	450 ± 25
Spin Speed R.P.M. (Medium)	450 ± 25
Spin Speed R.P.M. (Max)	650 ± 30
Silk	
Spin Speed R.P.M. (Low)	0 ± 0
Spin Speed R.P.M. (Medium)	0 ± 0
Spin Speed R.P.M. (Max)	0 ± 0
Drain/Spin	
Spin Speed R.P.M. (Low)	850 ± 35
Spin Speed R.P.M. (Medium)	900 ± 39
Spin Speed R.P.M. (Max)	950 ± 39
Tub Pulley to Motor Pulley Ratio	16 TO 1
Tub Capacity	2.65 cu. ft.
Automatic Temperature Control Specifications	
Regulated hot/cold settings	149° ± 7° F
Regulated warm/warm and warm /cold settings	90° ± 7° F
Regulated cold/cold settings	70° ± 7° F

Neutral test point.

When measuring voltage between a point to neutral insert one lead of the volt meter into the harness plug with white wire that is connect to the line cord for the neutral connection.





CONTROL PANEL

SAMPLE SCHEMATIC

Operation Chart

CYCLE	CYCLE PHASE	TIMER STEP	TIME IN SEC.	ACTIVITY	DRUM RPM	SPEED CONTROL INPUT CODES 1 = 120 VAC 0 = ZERO VOLTS A B C D E	WAX MOTOR AND DRAIN PUMP	WATER VALVE	WATER TEMP	PRESSURE SWITCH BYPASS	VOLTAGE AT BLEACH SOLENOID	VOLTAGE AT FABRIC SOFTENER SOLENOID		
HEAVY WASH		1	180	FILL & TUMBLE	52	1 0 1 1 0	OFF	WASH FILL	H,W,C	ON	0	0		
		2	110	FILL THEN TUMBLE	52	1 1 0 1 0	OFF	WASH FILL	H,W,C	OFF	0	0		
REG WASH		3	400	FILL THEN TUMBLE	52	1 0 0 1 0	OFF	WASH FILL	H,W,C	OFF	0	0		
SHORT WASH		4	352	FILL THEN TUMBLE	52	1 1 1 1 0	OFF	WASH FILL	H,W,C	OFF	0	0		
		5	50	DRAIN & FILL (SPRAY)	52	0 1 0 0 0	ON	RINSE FILL	C	ON	0	0		
		6	130	DRAIN AND IMPLUSE SPIN	450	0 0 0 1 1	ON	OFF		ON	0	0		
		RINSE 1	7	180	FILL THEN TUMBLE	52	1 0 1 1 0	OFF	RINSE FILL	C	OFF	120VAC	0	
			8	160	DRAIN AND IMPLUSE SPIN	450	0 1 1 1 1	ON	OFF		ON	0	0	
		RINSE 2	9	18	FILL & COAST	0	0 0 1 0 0	OFF	RINSE FILL	C	OFF	120VAC	0	
		EX RIN	10	50	DRAIN TUMBLE	52	0 1 0 0 0	ON/OFF	OFF		ON	0	0	
			11	110	FILL THEN TUMBLE	52	1 1 0 1 0	OFF	RINSE FILL	C	OFF	120VAC	OFF	
			12	220	DRAIN & SPIN	450	0 1 0 0 1	ON	OFF		ON	0	0	
		FINAL RINSE	RINSE 3	13	110	FILL THEN TUMBLE	52	1 1 0 1 0	OFF	RINSE FILL	W,C	OFF	0	120VAC
		FINAL SPIN	EXTRACT	14	660	DRAIN AND SPIN	950	1 1 0 1 1	ON	OFF		ON	0	0
		GRAPHICS OFF		15	145	PAUSE	0	1 0 0 0 0	OFF	OFF		ON	0	0
						TUMBLE	52	1 0 0 0 0	OFF	OFF		ON	0	0
				CYCLE SIGNAL	0	1 0 0 0 0	OFF	OFF		ON	0	0		
16				STOP	0	0 0 0 0 0	OFF	OFF		OFF	0	0		
17				STOP	0	0 0 0 0 0	OFF	OFF		OFF	0	0		
PERM PRESS	WASH	18	400	FILL THEN TUMBLE	52	1 0 0 1 0	OFF	WASH FILL	H,W,C	OFF	0	0		
		19	352	FILL THEN TUMBLE	52	1 1 1 1 0	OFF	WASH FILL	H,W,C	OFF	0	0		
		20	50	DRAIN & FILL	52	0 1 0 0 0	ON	RINSE FILL	C	ON	0	0		
		RINSE 1	21	180	FILL THEN TUMBLE	52	1 0 1 1 0	OFF	RINSE FILL	C	OFF	120VAC	0	
			22	50	DRAIN & TUMBLE	52	0 1 0 0 0	ON	OFF		ON	0	0	
		RINSE 2	23	180	FILL THEN TUMBLE	52	1 0 1 1 0	OFF	RINSE FILL	C	OFF	120VAC	0	
		EX RINSE	24	50	DRAIN TUMBLE	52	0 1 0 0 0	OFF/ON	OFF		ON	0	0	
			25	180	FILL THEN TUMBLE	52	1 0 1 1 0	OFF	RINSE FILL	C	OFF	120VAC	0	
			26	220	DRAIN & SPIN	450	0 1 0 0 1	ON	OFF		ON	0	0	
FINAL RINSE	RINSE 3	27	180	FILL THEN TUMBLE	52	1 0 1 1 0	OFF	RINSE FILL	C	OFF	0	120VAC		
FINAL SPIN	EXTRACT	28	500	DRAIN & SPIN	850 950	1 0 1 0 1	ON	OFF		ON	0	0		
		29	145	PAUSE	0	1 0 0 0 0	OFF	OFF		ON	0	0		
				TUMBLE	52	1 0 0 0 0	OFF	OFF		ON	0	0		
				END CYCLE SIGNAL	0	1 0 0 0 0	OFF	OFF		ON	0	0		
GRAPHICS OFF		30		STOP	0	0 0 0 0 0	OFF	OFF		OFF	0	0		
		31		STOP	0	0 0 0 0 0	OFF	OFF		OFF	0	0		
HAND WASH	WASH	32	609	FILL THEN TUMBLE	35	1 1 0 0 0	OFF	WASH FILL	H,W,C	OFF	0	0		
		33	50	DRAIN & FILL	52	0 1 0 0 0	ON	RINSE FILL	C	ON	0	0		
		RINSE 1	34	180	FILL THEN TUMBLE	52	1 0 1 1 0	OFF	RINSE FILL	C	OFF	120VAC	0	
			35	220	DRAIN & SPIN	450	0 1 0 0 1	ON	OFF		ON	0	0	
		RINSE 2	36	110	FILL THEN TUMBLE	52	1 1 0 1 0	OFF	RINSE FILL	C	OFF	120VAC	0	
		EX RINSE	37	50	DRAIN & TUMBLE	52	0 1 0 0 0	OFF/ON	OFF		ON	0	0	
			38	110	FILL THEN TUMBLE	52	1 1 0 1 0	OFF	RINSE FILL	C	OFF	0	120VAC	
			39	430	DRAIN & SPIN	450 650	1 1 1 0 1	ON	OFF		ON	0	0	
FINAL SPIN	EXTRACT	40	145	PAUSE	0	1 0 0 0 0	OFF	OFF		ON	0	0		
GRAPHICS OFF				TUMBLE	52	1 0 0 0 0	OFF	OFF		ON	0	0		
				END CYCLE SIGNAL	0	1 0 0 0 0	OFF	OFF		ON	0	0		
		41		STOP	0	0 0 0 0 0	OFF	OFF		OFF	0	0		
		42		STOP	0	0 0 0 0 0	OFF	OFF		OFF	0	0		

WASHER CYCLE TABLE

WASH CYCLE	WASH PHASE	STEP TIME IN SEC.	PRESSURE SWITCH	DRAIN PUMP	DISPENSER	WATER TEMP
Silk Wash	Fill then Tumble	2400	On	Off	Off	Wash
	Fill then Tumble	360	On	Off	Off	Wash
	Drain & Fill	60	Off	On	Off	Rinse
	Fill then Tumble	120	On	Off	Fabric	Rinse
Extra Rinse Op	Drain & Tumble	60	Off	On	Off	Off
Final Rinse	Fill then Tumble	120	On	Off	Fabric	Rinse
Final Spin	Drain, Spin	308	Off	On	Off	Off
Extra Spin Op	Drain, Spin	160	Off	On	Off	Off
	Tumble	153	Off	Off	Off	Off
	Stop	45	Off	Off	Off	Off
Spin Only	Drain, Spin	648	Off	On	Off	Off
	Tumble	153	Off	Off	Off	Off
	Stop	45	Off	Off	Off	Off
No Spin	Drain	60	Off	On	Off	Off
	Tumble	153	Off	Off	Off	Off
	Stop	45	Off	Off	Off	Off
Demo	Tumble	153	Off	Off	Off	Off
	Drain, Spin	648	Off	On	Off	Off
	Stop	45	Off	Off	Off	Off

Section A - Installation Instructions

Full Size Tumble Action Washers

Before beginning installation, carefully read these instructions. This will simplify the installation and ensure the washer is installed correctly and safely. Leave these instructions near the washer after installation for future reference.

NOTE: The electrical service to the washer must conform with local codes and ordinances and the latest edition of the National Electrical Code, ANSI/NFPA 70 or in Canada, CSA C22.1 Canadian Electrical Code Part 1.

⚠ WARNING For your safety the information in this manual must be followed to minimize the risk of fire or explosion or to prevent property damage, personal injury or loss of life.

- Do not store or use gasoline or other flammable vapors and liquid in the vicinity of this or any other appliance.

- WHAT TO DO IF YOU SMELL GAS

- Do not try to light any appliance.
- Do not touch any electrical switch; do not use any phone in your building.
- Clear the room, building or area of all occupants.
- Immediately call your gas supplier from a neighbor's phone. Follow the gas suppliers instructions.
- If you cannot reach your gas supplier, call the fire department.

Installation and service must be performed by a qualified installer, service agency or the gas supplier.

PRE-INSTALLATION REQUIREMENTS

Tools Required for Installation:

1. 1/4 in. nut driver.
2. 3/8 in. socket with ratchet.
3. 3/8 in. open end wrench.
4. 7/16 in. socket with ratchet.

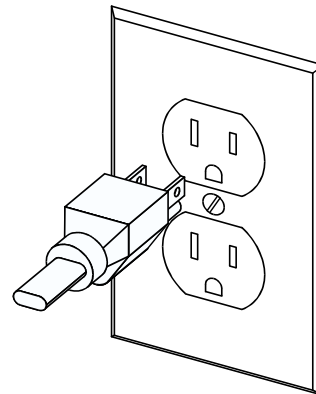
5. 9/16 in. open end wrench.
6. Channel-lock adjustable pliers.
7. Carpenter's level.

ELECTRICAL REQUIREMENTS

CIRCUIT - Individual, properly polarized and grounded 15 amp. branch circuit fused with 15 amp. time delay fuse or circuit breaker.

POWER SUPPLY - 2 wire, with ground, 120 volt, single phase, 60 Hz, Alternating Current. **NOTE:** The use of this washer with power created by gas powered generators, solar powered generators, wind powered generators or any other generator other than the local utility company is not recommended.

OUTLET RECEPTACLE - Properly grounded 3-prong receptacle to be located so the power supply cord is accessible when the washer is in an installed position. **NOTE:** GFI (Ground Fault Interrupter) receptacle is not required.



GROUNDING REQUIREMENTS

⚠ WARNING Improper connection of the equipment grounding conductor can result in a risk of electrical shock. Check with a licensed electrician if you are in doubt as to whether the appliance is properly grounded.

1. The washer **MUST** be grounded. In the event of malfunction or breakdown, grounding will reduce the risk of electrical shock by a path of least resistance for electrical current.
2. Since your washer is equipped with a power supply cord having an equipment-grounding conductor and a grounding plug, the plug **MUST** be plugged into an appropriate, copper wired receptacle that

is properly installed and grounded in accordance with all local codes and ordinances or in the absence of local codes, with the National Electrical Codes, ANSI/NFPA 70 (latest edition). If in doubt, call a licensed electrician. **DO NOT** cut off or alter the grounding prong on the power supply cord. In situations where a two-slot receptacle is present, it is the owner's responsibility to have a licensed electrician replace it with a **properly grounded** three prong grounding type receptacle.

WATER SUPPLY REQUIREMENTS

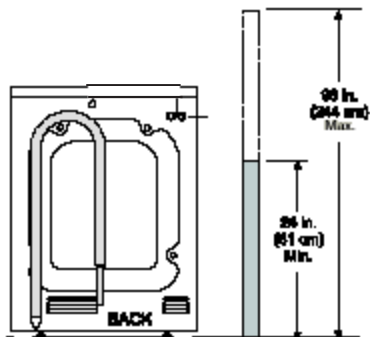
Hot and cold water faucets **MUST** be installed within 42 inches (107 cm) of your washer's water inlet. The faucets **MUST** be 3/4 inch (1.9 cm) garden hose type so inlet hoses can be connected. Water pressure **MUST** be between 30 and 120 pounds per square inch (maximum unbalance pressure, hot vs. cold, 10 psi.) Your water department can advise you of your water pressure. The hot water temperature should be about 140 degrees F (60 degrees C).

DRAIN REQUIREMENTS

1. Drain capable of eliminating 17 gals (64.3 L) per minute.
2. A standpipe diameter of 1-1/4 in. (3.18 cm) minimum.
3. The standpipe height above the floor should be:

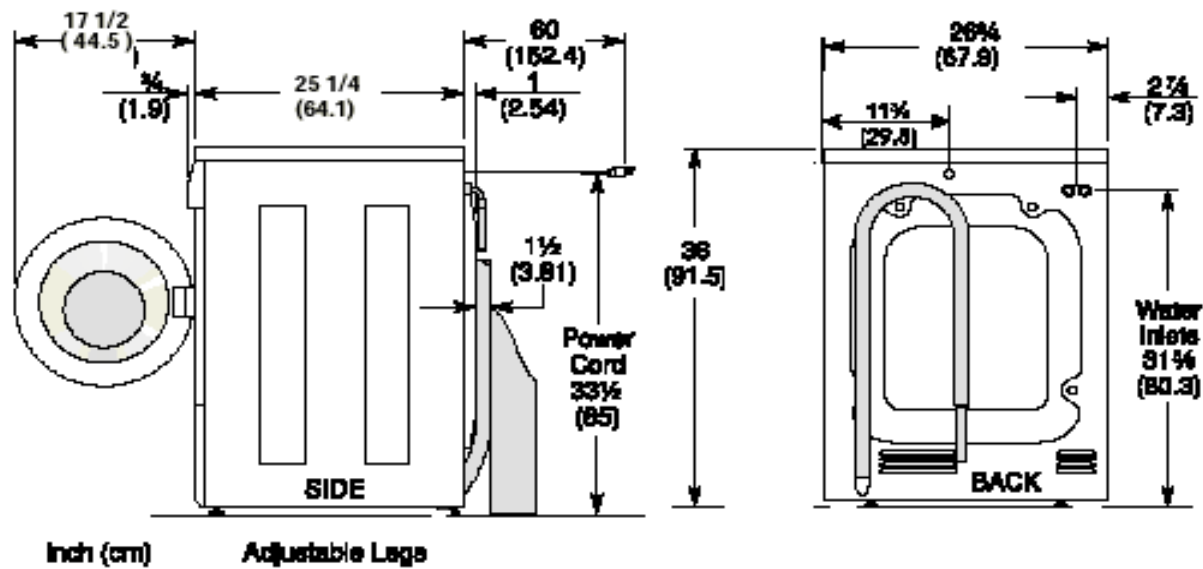
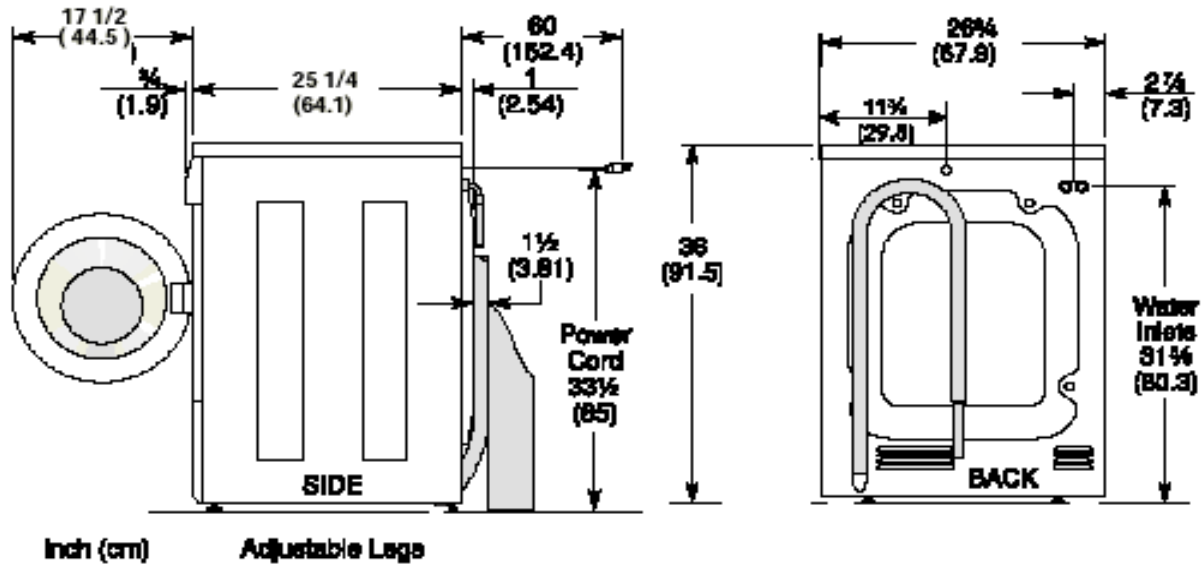
Minimum height: 24 in. (61 cm)

Maximum height: 96 in. (244 cm)



NOTE: Drain hose attached to the washer can reach a 58 in. (147 cm) high standpipe. For higher standpipe use hose P/N 134049201, available from an authorized parts distributor. If drain is less than 24 in. (61 cm), install a siphon break kit, available at your local hardware store.

ROUGH-IN DIMENSIONS



LOCATION OF YOUR WASHER

DO NOT INSTALL YOUR WASHER:

1. In an area exposed to dripping water or outside weather conditions. The ambient temperature should never be below 60 degrees F (15.6 degrees C) for proper washer operation.
2. In an area where it will come in contact with curtains or drapes.
3. In an area (garage or garage-type building) where gasoline or other flammables are kept or stored (including automobiles).
4. On carpet. Floor **MUST** be solid with a maximum slope of 1/2 in. per foot (1.27 cm per 30.5 cm). To ensure vibration or movement does not occur, reinforcement of the floor may be necessary.

IMPORTANT MINIMUM INSTALLATION CLEARANCES

When installed in alcove or closet:

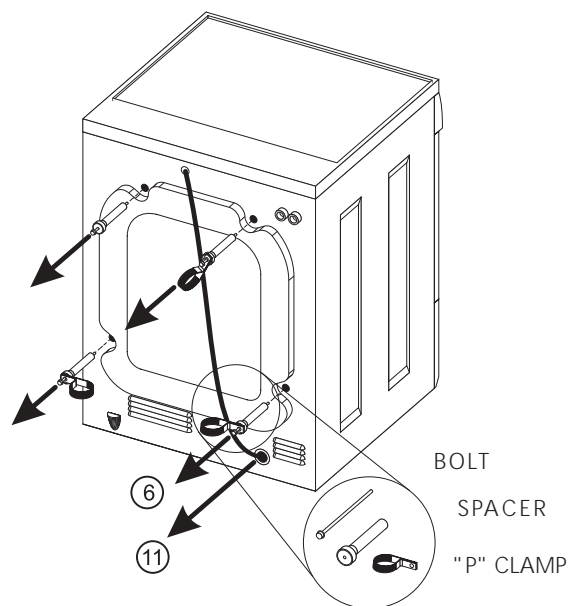
Sides, Rear = 0 in. (0 cm)
Top = 0 in. (0 cm)

When installed in closet: Front = 1 in. (2.54 cm)

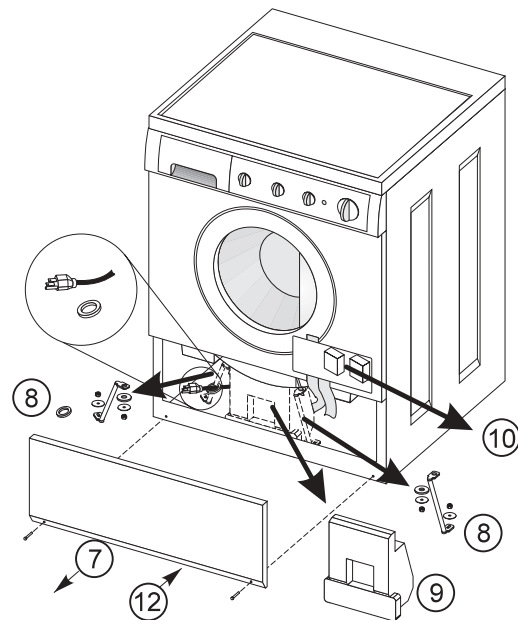
Closet door ventilation required: 2 louvered openings each 60 in² (387 cm²), 3 in. (7.6 cm) from top and bottom of door.

UNPACKING

1. Cut the shipping carton along the dotted line along the base of the unit.



2. While in the carton carefully lay the washer on its back side.
3. Remove the styrofoam base.
4. Carefully return the washer to an upright position and remove the carton.
5. Carefully move the washer to within 4 feet (122cm) of the final location.
6. Remove the following from the back side of the washer: 4 bolts, 3 yellow plastic spacers, 3 metal "P" clamps.
7. Remove the service panel from the front of the washer.
8. Remove the 4 nuts and 6 large washers that attach the 2 yellow shipping braces to the drum and the base. Lift up on the drum and remove the braces (a yellow ribbon surrounds the items to be removed). These braces must be removed to allow the power supply cord to be released from the shipping ring.
9. Remove the large styrofoam block located under the drum. Lift up on the drum, tilt the base of the foam block inwards toward the rear of the washer until free, then pull it out.
10. Remove and discard the yellow ribbon and label from the front of the washer.



11. From the rear of the washer, carefully pull out the power supply cord through the hole in the backsheet.

- Replace the service panel and screws.

NOTE: If the washer is to be transported at a later date, the shipping support hardware must be reinstalled to prevent shipping damage. Retain the hardware in the plastic bag provided.

INSTALLATION

- Run some water from the hot and cold faucets to flush the water lines and remove particles that might clog up the water valve screens.
- Remove the inlet hoses and rubber washers from the plastic bag and install the rubber washers in each end of the inlet hoses.



- Carefully connect the inlet hose (90° elbow end) marked "HOT" to the outside "H" outlet of the water valve. Tighten by hand, then tighten another 2/3 turn with pliers. Carefully connect the other inlet hose (90° elbow end) to the inside "C" outlet of the water valve. Tighten by hand, then tighten another 2/3 turn with pliers.

Do not crossthread or over-tighten these connections.

- Connect the inlet hose ends to the HOT and COLD water faucets tightly by hand, then tighten another 2/3 turn with pliers. Turn the water on and check for leaks.

NOTE: Use only new hoses.

- Carefully move the washer to its final location.

NOTE: Do not use the dispenser drawer or door to lift washer.

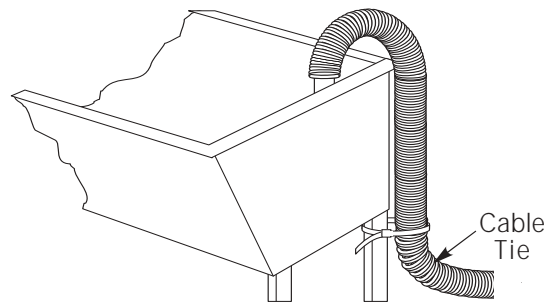
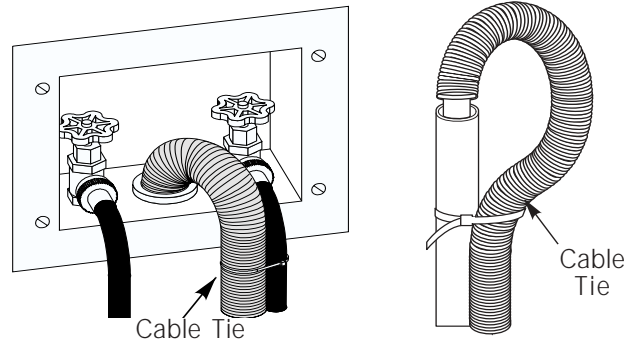
- With the washer in its final position, place a level on top of the washer (if an undercounter installation, no rocking of the washer should exist). Adjust the front leveling legs up or down to ensure the washer is resting solid. Turn the lock nuts on each leg up towards the base of the washer and snug with a wrench.

NOTE: Keep the leg extension at a minimum to prevent excessive vibration. The farther out the legs are extended the more the washer will vibrate.

If the floor is not level or is damaged, the rear leveling legs may have to be extended. For undercounter installations, rear leg adjustment is accessible through the front service panel.

- Form a U shape on the end of the drain hose with the hose pointed toward the drain. Place in a laundry tub or standpipe and secure with the cable tie provided in the enclosure package.

NOTE: If the drain hose is placed in a standpipe without forming a U shape, a siphoning action could occur. There must be an air gap around the drain hose. A snug hose fit can also cause a siphoning action.



- Plug the power cord into a grounded outlet.

NOTE: Check to ensure the power is off at a circuit breaker/fuse box before plugging the power cord into an outlet.

- Turn on the power at a circuit breaker/fuse box.

- Read the Operating Instructions and Owner's Guide provided with the washer. They contain valuable and helpful information that will save you time and money.

11. Run the washer through a complete cycle. Check for water leaks and proper operation.
12. If your washer does not operate, please review the "Avoid Service Checklist" in your Owner's Guide before calling for service.
13. Place these instructions in a location near the washer for future reference.

NOTE: A wiring diagram is located inside the washer on the service panel.

REPLACEMENT PARTS

If replacement parts are needed for your washer, contact the source where you purchased your washer, call 1-800-944-9044, or visit our website, www.frigidaire.com, for the Frigidaire Company Authorized Parts Distributor nearest you.

⚠ WARNING Destroy the carton and plastic bags after the washer is unpacked. Children might use them for play. Cartons covered with rugs, bedspreads, or plastic sheets can become airtight chambers causing suffocation. Place all materials in a garbage container or make materials inaccessible to children.

⚠ WARNING The instructions in this manual and all other literature included with this washer are not meant to cover every possible condition and situation that may occur. Good safe practice and caution **MUST** be applied when installing, operating and maintaining any appliance.

Maximum benefits and enjoyment are achieved when all the Safety and Operating instructions are understood and practiced as a routine with your laundering tasks.



SECTION B - OPERATING INSTRUCTIONS

Before Operating Your Washer

Read your washer Use and Care Guide. It has important safety and warranty information. It also has many suggestions for best washing results.

⚠ WARNING To reduce the risk of fire, electric shock or injury to persons, read the IMPORTANT SAFETY INSTRUCTIONS in your washer Use and Care Guide before operating this appliance.

Operating Steps

Read and follow "Washing Procedures" in your Use and Care Guide. It provides detailed information for preparing the wash load and choosing control settings to ensure best washing results.

1. Sort laundry into loads that can be washed together.
2. Prepare items for washing.
3. Pretreat stains and heavy soil.
4. Add laundry load to the wash drum.
5. Open the dispenser drawer and add the measured amount of a high efficiency detergent to the detergent compartment. If desired, add liquid bleach and fabric softener to the appropriate compartments. They will be dispensed at the proper times. Slowly close dispenser drawer. The washer will not operate with the drawer open.

Note: From time to time you may see water in the bleach and fabric softener compartments. This is a result of the siphoning action and is part of the normal operation of the washer.

6. Press CYCLES until the desired cycle is selected. Suitable wash and rinse water temperatures, final spin speed and options will automatically be displayed. To change these settings, press TEMPS, SPEED and OPTIONS until the desired selections

are made. These adjustments to the cycle will automatically be remembered each time that cycle is selected.

7. To select or delete Heavy Soil/Stain, Auto Temp, Extra Spin and Extra Rinse, press OPTIONS until the flashing light indicates a desired option. Then press SELECT to add or delete the option.

Note: To provide the best care for your laundry items, not every temperature, speed and option is available with every cycle.

8. Add desired features by pressing symbols for
 - Control Lock
 - End-of-Cycle Signal
9. Start the washer.
 - Close the door and touch START. The washer will not operate with the door open. As a safety measure, the door will automatically lock during the entire wash cycle and "DOOR LOCK" will be displayed.
 - To pause the cycle, press STOP/CLEAR once. "PAU" will flash alternately with the time remaining display. The door can then be opened to add a forgotten item. However, if the washer was paused during final spin, it will take approximately 2-3 minutes for the door lock to release. Do not force the door open.
 - To restart the washer, press START. Tumbling will be resumed where it was interrupted. If the washer was interrupted during spin, the spin time will be reset.
 - To stop the washer, press STOP/CLEAR twice. Two dash lines will be displayed. They will disappear after a short time.
10. A signal will sound when the end-of-cycle signal option is selected. Remove items when cycle ends.

Cycle Selection

Press CYCLE until desired cycle is selected. For best results, follow the fabric care label instructions on items to be washed.

Heavy Duty

This cycle provides 18 minutes of reversing tumble wash action for heavily soiled regular items, followed by a spray rinse and four rinses. Extra Rinse can be added to remove excess soil and detergent.

Normal wash

This cycle provides 13 minutes of reversing tumble wash action for normally soiled regular and perm press items followed by 4 rinses.

Quick Cycle

Quick cycle provides 6 minutes of reversing tumble wash action for normally soiled regular and perm press items followed by 3 rinses.

Delicates and Hand Washables

This cycle provides 10 minutes of gentle reversing wash action for knits, delicates and hand washables, followed by a spray rinse and two rinses. Select Medium Spin for knits and Low Spin for delicates and hand washables.

Silk

This cycle provides 10 minutes of very gentle reversing wash action for washable silks, followed by two rinses. To protect the fabric, the Cold/Cold, No Spin and Extra Rinse selections cannot be changed.

Follow these guidelines to retain the color, sheen and texture of washable silks:

- Follow fabric care label instructions.
- Wash and rinse in cold water.
- Use a mild detergent.
- Do not use bleach or pretreatment products.
- Remove stains promptly; avoid rubbing.
- Place item in a mesh bag.
- Wash items separately to avoid dye transfer.
- Do not soak.
- Do not wring or twist. Roll wet item in a towel to absorb water. Dry flat or on padded hanger out of sunlight.

Drain/Spin

Use this cycle to remove water from the wash drum or a wet load. Select Max Speed for regular items, Medium Speed for perm press and knit items or Low Speed for delicate items. The Extra Spin option can be added to this cycle.

Cycle Adjustments

Suitable wash and rinse water temperatures and final spin speed will automatically be displayed when a cycle is selected. To change them, press TEMPS and SPEED until the desired selections are made.

Adjustments can be made before or after the cycle begins. Adjustments to the cycle will automatically be remembered each time that cycle is used.

Wash/Rinse Water Temperatures

Select the wash and rinse water temperatures appropriate for each load.

- Hot/Cold for heavily soiled, white/colorfast, cotton and perm press loads.
- Warm/Cold for normally soiled, white/colorfast, cotton and perm press loads.
- Cold/Cold for lightly soiled, non-colorfast items, knits, delicates, hand washables and washable silks.
- Warm/Warm for washable woolens.

Final Spin Speed

There are three final spin speed options available for each cycle: Max, Medium and Low. The speeds will vary from cycle to cycle. For example, Regular Max Speed is much faster than Hand Wash Max Speed.

- Select **Medium Speed** for most loads.
- To increase water extraction and decrease drying time select **Max Speed**.
- To reduce wrinkling, select **Low Speed**.
- Use **NO SPIN** to omit the final spin at the end of the cycle. The load will contain a high amount of water. Remove items from wash drum to drip dry or select **DRAIN / SPIN** to remove excess water at a more convenient time.

Water Level

There is no need to select a water level. The washer automatically adjusts the water level to the type and size of wash load.

Cycle Options

To select Heavy Soil/Stain, Auto Temp, Extra Spin and Extra Rinse, press OPTIONS until flashing light indicates desired option. Then press SELECT to add that option to the cycle. To delete an indicated option, press SELECT.

Heavy Soil / Stain

Use this option to add approximately 6 minutes of wash time to very soiled or stained loads.

Auto Temp

The temperature of hot, warm and cold wash water can be affected by the water heater setting and seasonally low ground water temperatures in some geographic areas. Since detergents work best in wash water at a minimum of 65° F, select AUTO TEMP to regulate the temperature of hot wash a approximately 150° F warm wash to approximately 90° F and cold wash to approximately 70° F. Rinse water temperatures are not regulated.

Extra Rinse

Use this option when additional rinsing is desired to remove excess dirt and detergent. It is recommended for heavily soiled loads or if household members have sensitive skin. Extra Rinse occurs before the liquid fabric softener is dispensed.

Extra Spin

Use this option for several additional minutes of spin at the selected spin speed. This will increase water extraction and decrease drying time.

Washer Features

Control Lock

To prevent accidental operation of the washer or alteration of the cycle settings, press and hold the lock symbol until you hear 3 beeps and "LOC" is displayed. To cancel, press and hold the lock symbol until "LOC" is no longer displayed.

Signal

A signal will sound at the end of the cycle. Repeatedly press the signal symbol to select one of three volume levels or turn off the signal. The selection will be programmed until you change it.

Display

The following will be displayed during the cycle:

- Estimated Remaining Cycle Time
- Door Lock
- Cycle Status (WASH, RINSE, FINAL SPIN).
- Signal volume selected
- "LOC" will be displayed briefly when lock symbol is pressed.

Error Codes

If the washer stops and the F01, F03, F04 or F05 error code is flashing in the display, press STOP/CLEAR, select a cycle and press START. If the error code appears again, please contact service for assistance.

F01 There may be an internal problem with the wash system.

F02 There may be a water temperature problem. Be sure hot and cold water hoses are properly connected before calling service.

F03 Be sure the water is turned on before calling service. There may be a problem with the pump or pressure switch.

F04 The washer may have run too long or there may be a problem with the motor control.

F05 There may be a problem with the keypad.

Cycle Selections - the following chart shows the temperatures, speeds and options available for each cycle.

	Heavy Duty	Normal Cycle	Quick Cycle	Hand Wash Delicates	Silk	Drain/Spin
Estimated *** Cycle Duration	53 minutes	48 minutes	37 minutes	32 minutes	27 minutes	14 minutes
Temperatures						
Cold/Cold	X	X	X	* X	* X	
Warm/ Cold	X	* X	* X	X		
Warm/Warm	X	X	X			
Hot/Cold	X	X	X			
Speed						
Max Spin	* Cotton	* Cotton	* Cotton	* Knits		* Cotton
Med Spin	Perm Press	Perm Press	Perm Press	Delicates		Perm Press
Low Spin	Delicates	X	X	Hand Wash		Delicates
No Spin	X	X		X	* X	X
Options						
Heavy soil/ stain	X	X				
Auto Temp	* X	* X	* X	* X	* X	
Extra Spin	X	X				
Extra Rinse	* X	X		X	* X	

* Factory setting for the cycle.

*** Estimated cycle duration does not include water fill times or out-of-balance corrections.


SECTION C - OWNER'S GUIDE


This Owner's Guide provides general operating instructions for your washer. It also contains information about features for several other models. Your washer may not have every feature included here.


Use the washer only as instructed in this Owner's Guide and the **Operating Instructions** card included with your washer.

Your safety and the safety of others is very important.

We have provided many important safety messages in the Use and Care Guide, Operating Instructions, Installation Instructions and on your appliance. Always read and obey all safety messages.

 This is the safety alert symbol. This symbol alerts you to hazards that can kill or hurt you or others. All safety messages will be preceded by the safety alert symbol and the word "DANGER" or "WARNING". These words mean:

 **DANGER** You will be killed or seriously injured if you don't follow instructions.

 **WARNING** You can be killed or seriously injured if you don't follow instructions.


All safety messages will identify the hazard, tell you how to reduce the chance of injury, and tell you what can happen if the instructions are not followed.


Pedestal

A pedestal accessory specifically designed for this washer may be used when elevating the washer for ease of use. Failure to use accessories certified by the manufacturer could result in personal injury, property damage or damage to the washer.


Important Safety Instructions


Read all instructions before using this washer.


 **WARNING** To reduce the risk of fire, electrical shock, or injury to persons when using this washer, comply with the basic warnings listed.


 Failure to comply with these warnings could result in serious personal injuries.


Prevent Fire


 **WARNING** Do not wash items that have been previously cleaned in, soaked in, or spotted with gasoline, cleaning solvents, kerosene, cooking oils, waxes, etc. Do not store these items on or near the washer. These substances give off vapors or chemical reactions that could ignite or explode.

 **WARNING** Do not put oily or greasy rags or clothing on top of the washer. These substances give off vapors that could ignite the materials.


 **WARNING** Do not add gasoline, cleaning solvents, or other flammable or explosive substances to the wash water. These substances give off vapors that could ignite or explode.


 **WARNING** Under certain conditions, hydrogen gas may be produced in a hot water system that has not been used for 2 weeks or more. **HYDROGEN GAS IS EXPLOSIVE.** If the hot water system has not been used for such a period, before using the washer, turn on all hot water faucets and let the water flow from each for several minutes. This will release any accumulated hydrogen gas. Hydrogen gas is flammable; do not smoke or use an open flame during this time.


 **WARNING** Do not store or use gasoline or other flammable vapors or liquids in the vicinity of this or any other appliance.

 Failure to comply with these warnings could result in fire, explosion, serious bodily injury and/or damage to the rubber or plastic parts of the washer.

Protect Children

 **WARNING** Do not allow children to play on or in the washer. Close supervision of children is necessary when the washer is used near children. As children grow, teach them the proper, safe use of all appliances.

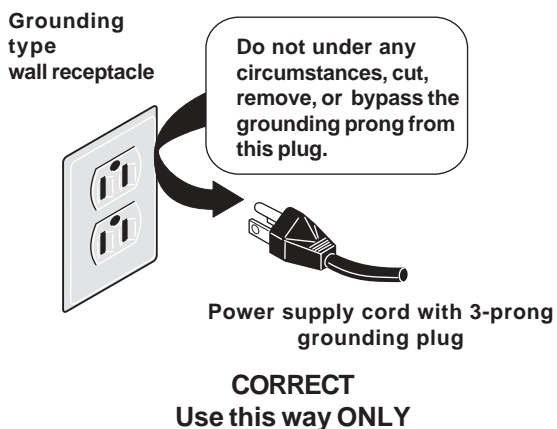
 **WARNING** Destroy the carton, plastic bag and other packing materials after the washer is unpacked. Children might use them for play. Cartons covered with rugs, bedspreads or plastic sheets can become airtight chambers.

 **WARNING** Keep laundry products out of children's reach. To prevent personal injury, observe all warnings on product labels.

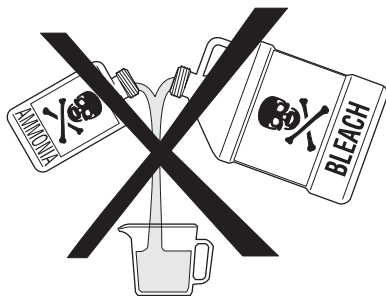
⚠ WARNING Before the washer is removed from service or discarded, remove the washer door to prevent accidental entrapment.

⚠ Failure to comply with these warnings could result in serious personal injuries.

⚠ WARNING Avoid fire hazard or electrical shock. Do not use an adaptor plug or extension cord or remove grounding prong from electrical power cord. Failure to follow this warning can cause serious injury, fire or death.



⚠ WARNING Do not use or mix liquid chlorine bleach with other household chemicals such as toilet cleaners, rust removers, acid or products containing ammonia. These mixtures can produce dangerous fumes which can cause serious injury or death.



Note: The instructions appearing in this Owner's Guide are not meant to cover every possible condition and situation that may occur. Common sense and caution must be practiced when installing, operating and maintaining any appliance.

Prevent Injury

⚠ WARNING To prevent shock hazard and assure stability during operation, the washer must be installed and electrically grounded by a qualified service person in

accordance with local codes. Installation instructions are packed in the washer for installer's reference. Refer to INSTALLATION INSTRUCTIONS for detailed grounding procedures. If the washer is moved to a new location, have it checked and reinstalled by a qualified service person.

⚠ WARNING To prevent personal injury or damage to the washer, the electrical power cord of the washer must be plugged into a properly grounded and polarized 3-prong outlet. **The third grounding prong must never be removed. Never ground the washer to a gas pipe. Do not use an extension cord or an adaptor plug.**

⚠ WARNING Follow package directions when using laundry products. Incorrect usage can produce poisonous gas--resulting in serious injury or death.

- **Do not** combine laundry products for use in 1 load unless specified on the label.
- **Do not** mix chlorine bleach with ammonia or acids such as vinegar.

⚠ WARNING To prevent serious personal injury and damage to the washer:

- **All repairs and servicing must be performed by an authorized servicer** unless specifically recommended in this Owner's Guide. Use only authorized factory parts.
- **Do not** tamper with controls.
- **Do not** install or store the washer where it will be exposed to the weather.
- **Do not** install on carpet. Install washer on a solid floor. It may be necessary to reinforce the floor to prevent vibration or movement.

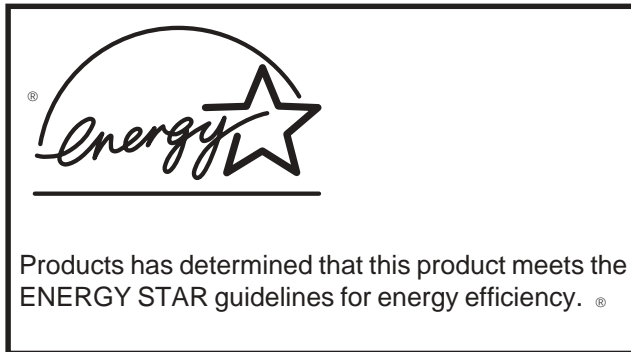
⚠ WARNING To reduce the risk of electric shock, disconnect this appliance from the power supply before attempting any user maintenance. Turning the controls to the OFF position does not disconnect this appliance from the power supply.

⚠ WARNING To prevent injury, do not reach into the washer while parts are moving. Before loading, unloading or adding items, push in the cycle selector knob and allow the drum to coast to a complete stop before reaching inside.

! Failure to comply with these warnings could result in serious personal injuries.

! This washer is equipped with an electrical overload protector. The motor will stop if it becomes overheated. The washer will automatically restart after a cool down period of up to 30 minutes, if the washer has not been manually turned off during this time.

SAVE THESE INSTRUCTIONS



Washing Procedures

- Follow the guidelines below for preparing the wash load.
- Read the **Operating Instructions** card for operating your specific model.
- **Always read and follow fabric care and laundry product labels.**

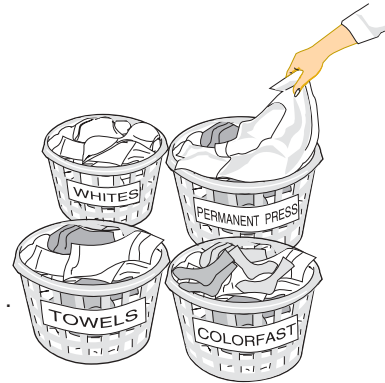
! **WARNING** To reduce the risk of fire, electrical shock, or injury to persons, read **Important Safety Instructions**, before operating this washer.

1. Sort laundry into loads that can be washed together.

Sort items by recommended water temperatures and wash time.

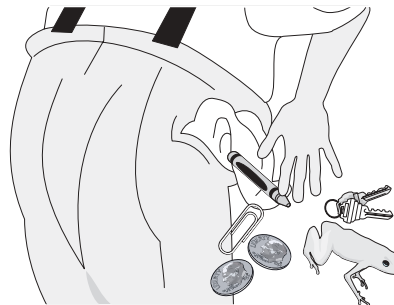
- Separate white, light, and colorfast items from dark and noncolorfast items.
- Separate items which shed lint from items which attract lint. Permanent press, synthetic, knit and corduroy items will pick up lint from towels, rugs and chenille bedspreads.
- Separate heavily soiled items from lightly soiled items.

- Separate lacy, sheer and loosely knit items from sturdy items.
- Do not machine wash items containing fiberglass. Small particles of fiberglass left in the drum may stick to fabrics in other loads and cause skin irritation.



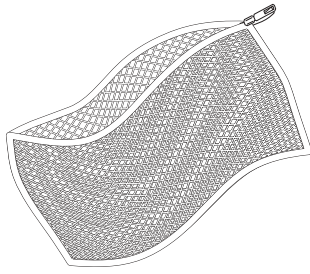
2. Prepare items for washing.

- Empty pockets.



- Brush off lint and dirt. Shake out rugs and beach towels.
- Close zippers, fasten hooks, tie strings and sashes, and remove nonwashable trims and ornaments.
- Remove pins, decorative buttons, belt buckles, and other objects which could be damaged. This also helps protect other items in the wash load.
- Mend rips and tears to prevent further damage during washing.

- Place delicate items such as bras, shoulder pads, hosiery, and belts in a mesh bag to prevent tangling during the wash cycle.



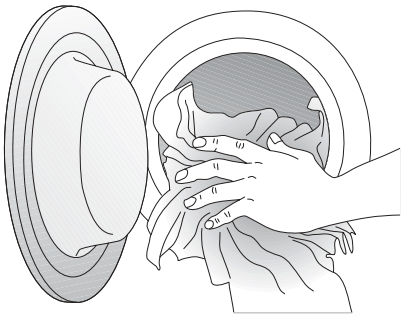
- Turn knit items inside out to prevent pilling.

3. Pretreat stains and heavy soil.

See **Stain Removal**.

4. Add laundry load to washer.

- Combine large and small items in a load. Load large items first. Large items should not be more than half the total wash load.



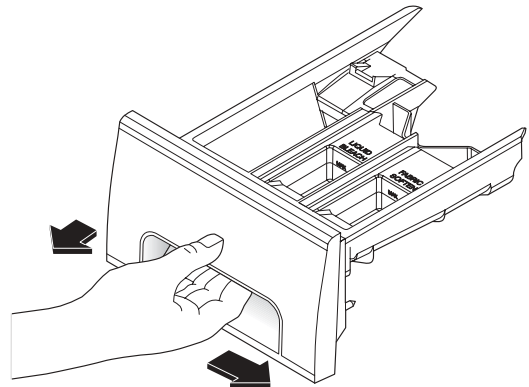
- Washing single items such as a sweater, towel or jeans may cause an out-of-balance load. Add 1 or 2 similar items to help balance the load.
- Single heavy items such as a bedspread can be washed separately.
- The washer can be fully loaded, but the items should not be tightly packed. The door should close easily.

5. Add detergent, bleach and fabric softener to automatic dispenser following these steps:

OPENING AND CLOSING THE DISPENSER DRAWER

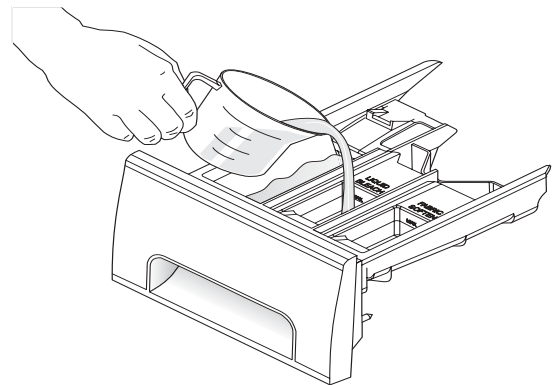
- Slowly open the dispenser drawer by first sliding the safety latch to the right, then pulling the drawer out until it stops.

- After adding laundry products, slowly close the dispenser drawer. Closing the drawer too quickly could result in early dispensing of the bleach and fabric softener.



- Laundry products used with powder or liquid detergent, such as color-safe bleach, water conditioner, detergent booster, and enzyme products should be added to the empty tub before loading.

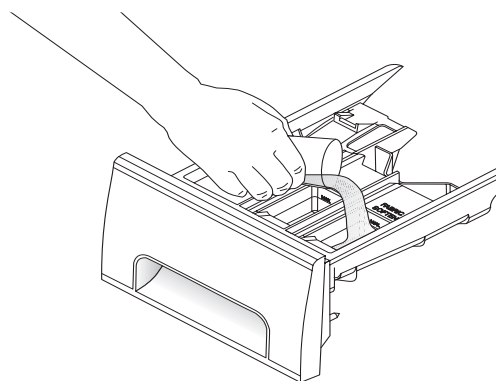
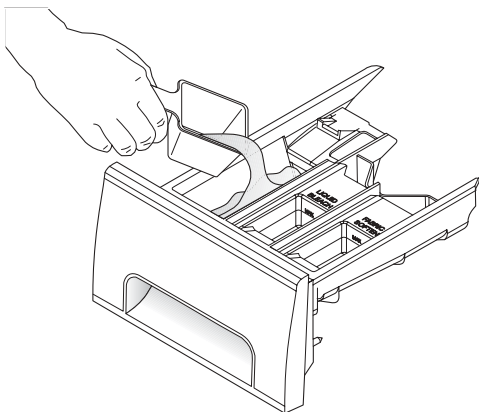
Note: From time to time you may see water in the bleach and fabric softener compartments. This is a result of the siphoning action and is part of the normal operation of the washer.



LIQUID BLEACH

- If desired, measure out the recommended amount of liquid chlorine bleach (not to exceed 1/3 cup (80 mL)) and pour it into the center compartment labeled "Liquid Bleach" and marked with this symbol .
- Do not exceed the maximum fill line. Overfilling can cause early dispensing of the bleach which could result in damaged clothes.
- Do not pour undiluted liquid chlorine bleach directly onto the load or into the drum. Fabric damage can occur.

- Do not use powdered bleach in the dispenser.




- Do not pour fabric softener directly on the wash load.
- Use of a fabric softener dispensing ball is not recommended in tumble action washers.

DETERGENT

- Add measured detergent to the detergent compartment of the dispenser drawer.
- Detergent is flushed from the dispenser at the beginning of the cycle. Either powdered or liquid detergent can be used. **Note:** Liquid detergent will drain into the washer drum as it is added.
- Low sudsing detergent is recommended for this washer. Use the manufacturer's recommended amount.
- If low sudsing detergent is not available, a reduced amount of regular detergent may be used. Because reducing the amount of detergent may reduce cleaning, it is important to pretreat stains, sort carefully by color and soil level, and avoid overloading.
- Detergent usage may need to be adjusted for water temperature, water hardness, size and soil level of the load.
- For best results, avoid oversudsing.

FABRIC SOFTENER

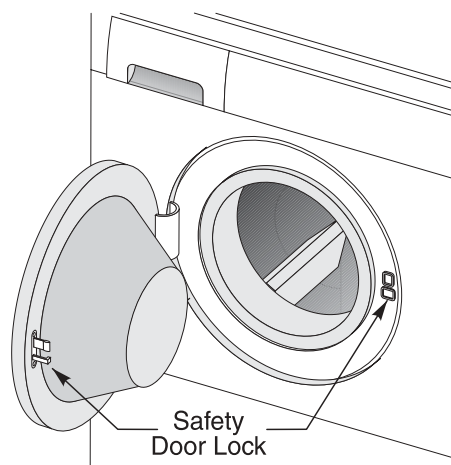
- If desired, pour the recommended amount of fabric softener into the compartment labeled "Fabric Softener" and marked with this symbol. 
- Dilute concentrated softeners with warm water to the Fill Line.
- Do not exceed the maximum fill line. Overfilling can cause early dispensing of the fabric softener which could result in stained clothes.

6. Select the cycle, temperature and speed settings options and features according to type, size, and soil level of each load.

(See Operating Instructions for your specific model.)

7. Start the washer.

Close the washer door and press START. The washer will fill and tumble.



- For your safety, the door will automatically lock during the entire wash cycle and "DOOR LOCK" will be displayed.
- To change selections after the cycle has started, press STOP/CLEAR twice. Make changes and restart the washer.
- To interrupt the cycle, press STOP/CLEAR once to pause the washer. "PAU" will be displayed. If the load was tumbling when the cycle was interrupted, the door

will open immediately. If the load was spinning, the door will remain locked for 1 - 2 minutes for your safety. DO NOT force open the locked door.

- To restart the washer, press START again. (However, the washer will automatically restart after 5 minutes.
- To stop the washer, press STOP/CLEAR twice. Two dashes will be displayed for approximately thirty seconds.

8. Remove items when the cycle is completed.

Place washed items in automatic dryer, line dry, or dry flat as directed by fabric care label. Excess wrinkling, color transfer or odors may develop in items left in the washer after the cycle has ended.

9. General Precautions

- **If the dispenser drawer is opened during operation, the washer will shut off and the door will unlock.** "d:do" (dispenser door) will be displayed. Slowly close the dispenser drawer, and press START to continue cycle.
- **Do not slam the washer door closed or try to force the door open when locked (Door Lock light ON).** This could result in damage to the washer.
- **DO NOT leave the washer door open.** An open door could entice children to hang on the door or crawl inside the washer.

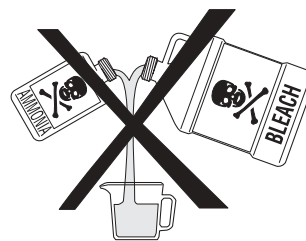


- To avoid damaging the washer and personal injury, DO NOT hang on or lean against the washer door.
- Do not place detergent, bleach or fabric softener

containers on top of the washer. They can damage the finish or controls.

Stain Removal

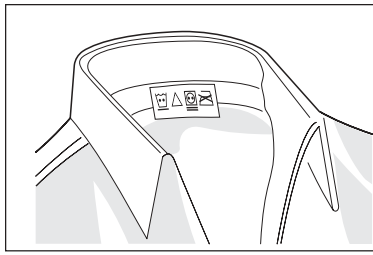
⚠ WARNING Do not use or mix liquid chlorine bleach with other household chemicals such as toilet cleaners, rust removers, acid or products containing ammonia. These mixtures can produce dangerous fumes which can cause serious injury or death.



Safe Stain Removal Procedures

⚠ WARNING To reduce the risk of fire or serious injury to persons or property, comply with the basic warnings listed below:

- Read and comply with all instructions on stain removal products.
- Keep stain removal products in their original labeled containers and out of children's reach.
- Thoroughly wash any utensil used.
- Do not combine stain removal products, especially ammonia and chlorine bleach. Dangerous fumes may result.
- Never wash items which have been previously cleaned in, washed in, soaked in or spotted with gasoline, dry cleaning solvents or other flammable or explosive substances because they give off vapors that could ignite or explode.
- Never use highly flammable solvents, such as gasoline, inside the home. Vapors can explode on contact with flames or sparks.



Follow fabric care label instructions.

For successful stain removal:

- Remove stains promptly.
- Determine the kind of stain, then follow the recommended treatment in the stain removal chart below.
- To pretreat stains, use a prewash product, liquid detergent, or a paste made from granular detergent and water.
- Use cold water on unknown stains because hot water can set stains.
- Check care label instructions for treatments to avoid on specific fabrics.
- Check for colorfastness by testing stain remover on an inside seam.
- Rinse and wash items after stain removal.

STAIN REMOVAL	
Stain	Treatment
Adhesive tape, chewing gum, rubber cement	Apply ice. Scrape off excess. Place stain face down on paper towels. Saturate with prewash stain remover or nonflammable dry cleaning fluid.
Baby formula, dairy products, egg	Use product containing enzymes to pretreat or soak stains. Soak for 30 minutes or more. Wash.
Beverages (coffee, tea, soda, juice, alcoholic beverages)	Pretreat stain. Wash using cold water and bleach safe for fabric.
Blood	Rinse with cold water. Rub with bar soap. Or, pretreat or soak with product containing enzymes. Wash using bleach safe for fabric.
Candle wax, crayon	Scrape off surface wax. Place stain face down between paper towels. Press with warm iron until wax is absorbed. Replace paper towels frequently. Treat remaining stain with prewash stain remover or nonflammable dry cleaning fluid. Hand wash to remove solvent. Wash using bleach safe for fabric.
Chocolate	Pretreat or soak in warm water using product containing enzymes. Wash using bleach safe for fabric.
Collar or cuff soil, cosmetics	Pretreat with prewash stain remover or rub with bar soap.
Dye transfer on white fabric	Use packaged color remover. Wash using bleach safe for fabric.
Grass	Pretreat or soak in warm water using product containing enzymes. Wash using bleach safe for fabric.
Grease, oil, tar (butter, fats, salad dressing, cooking oils, car grease, motor oils)	Scrape residue from fabric. Pretreat. Wash using hottest water safe for fabric. For heavy stains and tar, apply nonflammable dry cleaning fluid to back of stain. Replace towels under stain frequently. Rinse thoroughly. Wash using hottest water safe for fabric.
Ink	Some inks may be impossible to remove. Washing may set some inks. Use prewash stain remover, denatured alcohol or nonflammable dry cleaning fluid.
Mildew, scorch	Wash with chlorine bleach if safe for fabric. Or, soak in oxygen bleach and hot water before washing. Badly mildewed fabrics may be permanently damaged.
Mud	Brush off dry mud. Pretreat or soak with product containing enzymes.
Mustard, tomato	Pretreat with prewash stain remover. Wash using bleach safe for fabric.
Nail polish	May be impossible to remove. Place stain face down on paper towels. Apply nail polish remover to back of stain. Repeat, replacing paper towels frequently. Do not use on acetate fabrics.
Paint, varnish	WATER BASED: Rinse fabric in cool water while stain is wet. Wash. Once paint is dry, it cannot be removed. OIL BASED AND VARNISH: Use solvent recommended on can label. Rinse thoroughly before washing.
Perspiration	Use prewash stain remover or rub with bar soap. Rinse. Wash using nonchlorine bleach in hottest water safe for fabric.
Rust, brown or yellow discoloration	For spots, use rust remover safe for fabric. For discoloration of an entire load, use phosphate detergent and nonchlorine bleach. Do not use chlorine bleach because it may intensify discoloration.
Shoe polish	LIQUID: Pretreat with a paste of granular detergent and water. PASTE: Scrape residue from fabric. Pretreat with prewash stain remover or nonflammable dry cleaning fluid. Rinse. Rub detergent into dampened area. Wash using bleach safe for fabric.
Urine, vomit, mucus, feces	Pretreat or soak in product containing enzymes. Wash using bleach safe for fabric.

COMMON WASHING PROBLEMS

Many washing problems involve poor soil and stain removal, residues of lint and scum, and fabric damage. For satisfactory washing results, follow these suggestions provided by The Soap and Detergent Association.

PROBLEM	POSSIBLE CAUSES	SOLUTIONS	PREVENTIVE MEASURES
Blue stains	<ul style="list-style-type: none"> • Undiluted liquid detergent or fabric softener dispensed directly onto fabric. 	<ul style="list-style-type: none"> • If caused by detergent, mix 1 cup (240 ml) white vinegar with 1 quart (.95 L) water in plastic container. Soak item 1 hour. Rinse. • If caused by fabric softener, rub stains with bar soap. Wash. 	<ul style="list-style-type: none"> • Avoid overfilling detergent and fabric softener compartments of dispenser.
Discoloration, graying	<ul style="list-style-type: none"> • Not enough detergent. • Wash temperature too low. • Incorrect sorting. 	<ul style="list-style-type: none"> • Rewash with correct amount of detergent and hottest water safe for fabric. Add bleach safe for fabric. 	<ul style="list-style-type: none"> • Sort items by soil level and color. • Use correct amount of detergent, hottest water and bleach safe for fabric.
Greasy, oily stains	<ul style="list-style-type: none"> • Not enough detergent. • Undiluted liquid fabric softener poured directly on fabric. 	<ul style="list-style-type: none"> • Treat with prewash stain remover or liquid detergent. • Increase detergent and water temperature. Rewash. • Rub fabric softener stains with bar soap. 	<ul style="list-style-type: none"> • Use correct amount of detergent and hottest water safe for fabric. • Do not pour liquid fabric softener directly on fabric. See Washing Procedures on adding softener.
Holes, tears, or snags	<ul style="list-style-type: none"> • Incorrect use of chlorine bleach. • Unfastened zippers, hooks, buckles. • Rips, tears and broken threads. • Overloading the washer. • Degradation of fabric. 	<ul style="list-style-type: none"> • May be irreversible if rips, tears and seams cannot be mended. 	<ul style="list-style-type: none"> • Never pour chlorine bleach directly on fabric. • Check condition of items before washing. See Washing Procedures for preparing, loading and adding chlorine bleach.
Lint	<ul style="list-style-type: none"> • Incorrect sorting. • Tissues left in pocket. • Overloading the washer. • Not enough detergent. • Undissolved detergent has left a residue resembling lint. • Static cling is attracting lint. • Load washed too long. 	<ul style="list-style-type: none"> • Reduce load size. Rewash using correct water temperature, water level, and amount of detergent. • Add nonprecipitating water conditioner to wash water to remove detergent residue. • Add liquid fabric softener to final rinse. • Dry load in dryer. • Remove lint with lint brush or roller. 	<ul style="list-style-type: none"> • See Washing Procedures for sorting and preparing the wash load. • Do not overload washer. • Use correct temperature and amount of detergent, water and wash time.
Pilling (Fibers break off, ball up and cling to fabric.)	<ul style="list-style-type: none"> • Pilling is normal with synthetic and permanent press fabrics. This is due to abrasion from normal wear. 	<ul style="list-style-type: none"> • Use a lint brush or shaver to remove pills. 	<ul style="list-style-type: none"> • Use fabric softener in the washer to lubricate fibers. • When ironing, use spray starch or fabric finish on collars/cuffs. • Turn items inside out to reduce abrasion.
Residue or powder on dark items; stiff, harsh fabrics.	<ul style="list-style-type: none"> • Undissolved detergent. • Some nonphosphate granular detergents can combine with hard water minerals to form a residue. • Overloading the washer. 	<ul style="list-style-type: none"> • Rewash load. 	<ul style="list-style-type: none"> • Increase water temperature using hottest water safe for fabric. • Do not overload washer. • Use liquid detergent or use nonprecipitating water conditioner with nonphosphate granular detergent.
Wrinkling	<ul style="list-style-type: none"> • Overloading the washer. • Incorrect wash cycle for wash load. 	<ul style="list-style-type: none"> • Reduce load size. • Rinse in cold water with liquid fabric softener using the Perm Press or Delicate cycle. 	<ul style="list-style-type: none"> • Do not overload washer. • Remove items from washer as soon as cycle is completed. • Use liquid fabric softener.
Yellow buildup of body soil on synthetic fabrics	<ul style="list-style-type: none"> • Agitation time too short. • Wash water temperature too low. • Not enough detergent. 	<ul style="list-style-type: none"> • Soak in detergent booster or product containing enzymes. • Wash in hot water (120°F/49°C) using full permanent press cycle. Increase detergent. Add bleach or treat with color remover. 	<ul style="list-style-type: none"> • Select correct wash cycle. • Use correct amount of detergent. • Wash synthetics frequently using hot or warm water.
Yellow or brown rust stains	<ul style="list-style-type: none"> • Iron or manganese in water supply, water pipes, or water heater. 	<ul style="list-style-type: none"> • To restore discolored load of whites, use rust remover safe for fabric. • Do not use chlorine bleach to remove rust stains. It may intensify stains. 	<ul style="list-style-type: none"> • Use nonprecipitating water softener. • Before washing, run hot water for a few minutes to clear lines.

CARE AND CLEANING

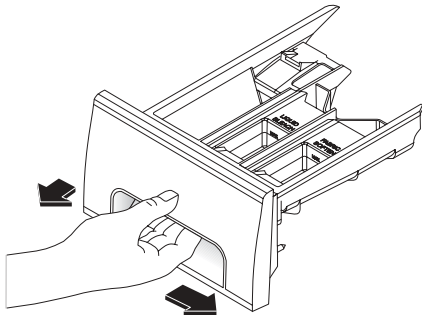
Outside

- When washing is completed, wipe top and sides of washer with a damp cloth. Turn water faucets off to prevent pressure build-up in the hoses.
- As needed, clean the cabinet with mild soap and water. **Never use harsh, gritty or abrasive cleansers.** If door or console becomes stained, clean with diluted chlorine bleach [1/2 cup (120 ml) in 1 quart (.95 L) water]. Rinse several times with clear water.
- Remove glue residue from tape or labels with a mixture of warm water and mild detergent. Or, touch residue with the sticky side of the tape or label.
- **Before moving the washer,** place a strip of cardboard or thin fiberboard under the front leveling legs to prevent floor damage.

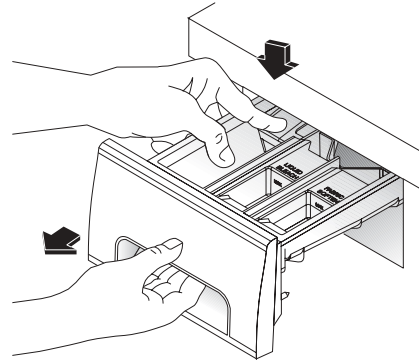
Cleaning the Dispenser Drawer Area

Detergent and fabric softener may build up in the dispenser drawer. Residue should be removed once or twice a month.

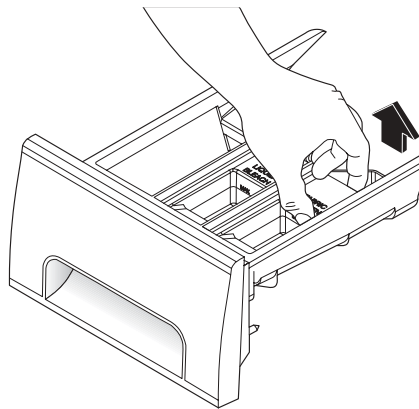
- Remove the drawer by first sliding the safety latch to the right, then pulling the drawer out until it stops.



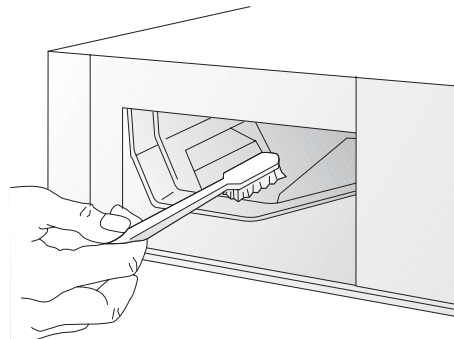
- Reach back into the left rear corner of the drawer cavity and press down firmly on the lock tab (left rear portion of the drawer). Pull out the drawer.



- Remove the inserts from the bleach and fabric softener compartments.



- Rinse the drawer and inserts with hot tap water to remove traces of accumulated powders and liquids. Large amounts of fabric softener residue may indicate improper dilution or more frequent cleaning is required.
- To clean the drawer opening, use a small brush to clean the recess. Remove all residue from the upper and lower parts of the recess.



- Return the bleach and fabric softener inserts to their proper compartments. Replace the dispenser drawer and run the Prewash cycle without any wash load in the drum.

Inside

- Remove items from the washer as soon as the cycle ends. Excess wrinkling, color transfer, and odors may develop in items left in the washer.
- Before cleaning the washer interior, **unplug the electrical power cord** to avoid electrical shock hazards.
- Dry around the washer door opening, flexible gasket, and door glass. These areas should always be clean to ensure a water tight seal.
- When extremely soiled items have been washed, a dirty residue may remain on the drum. Remove this by wiping the drum with a nonabrasive household cleanser. Rinse thoroughly with water.
- The plastic drum vanes may become stained from fabric dye. Clean these parts with a nonabrasive household cleanser. This prevents dye transfer to future loads.

Winterizing Instructions

If the washer is stored in an area where freezing can occur or moved in freezing temperatures, follow these winterizing instructions to prevent damage to the washer:

1. Turn off water supply faucets.
2. Disconnect hoses from water supply and drain water from hoses.
3. Plug electrical cord into a properly grounded electrical outlet.
4. Add 1 gallon (3.8 L) nontoxic recreational vehicle (RV) antifreeze to empty wash drum. Close door.
5. Set cycle selector knob at a spin setting. Pull out knob and let washer spin for 1 minute to drain out all water. Not all of the RV antifreeze will be expelled.
6. Push in knob, unplug electrical power cord, dry drum interior, and close door.
7. Remove dispenser drawer. Drain any water in compartments and dry compartments. Replace drawer.
8. Store washer in an upright position.
9. To remove antifreeze from washer after storage, run empty washer through a complete cycle using detergent. **Do not add wash load.**

Avoid Service Checklist

Before calling for service, review this list. It may save both time and expense. The list includes common concerns that are not the result of defective workmanship or materials in this washer.

OCCURRENCE

POSSIBLE CAUSE / SOLUTION

High pitch "jet engine" noise.	<ul style="list-style-type: none"> • A certain amount of motor whine is normal during the spin cycle.
Rattling and clanking noise.	<ul style="list-style-type: none"> • Foreign objects such as coins or safety pins may be in drum or pump. Stop washer and check drum. If noise continues after washer is restarted, objects may be in pump. Call your authorized servicer. • Belt buckles and metal fasteners are hitting wash drum. To prevent unnecessary noise and damage to drum, fasten fasteners and turn items inside out.
Squealing sound or hot rubber odor.	<ul style="list-style-type: none"> • Washer is overloaded. Do not overload washer. Stop washer and reduce load.
Thumping sound.	<ul style="list-style-type: none"> • Heavy wash loads may produce a thumping sound. This is usually normal. If sound continues, washer is probably out of balance. Stop washer and redistribute wash load.

OCCURRENCE

POSSIBLE CAUSE / SOLUTION

Vibrating noise.

- Washer is not resting firmly on floor. Move washer so it rests firmly on floor. Adjust leveling legs. See INSTALLATION INSTRUCTIONS for details.
- Shipping bolts and foam block have not been removed during installation. See INSTALLATION INSTRUCTIONS for removing shipping bolts and foam block.
- Wash load unevenly distributed in drum. Stop washer and rearrange wash load.

Washer does not start.

- Electrical power cord may not be plugged in or connection may be loose. Make sure plug fits tightly in wall outlet.
- House fuse blown, circuit breaker tripped, or a power outage has occurred. Reset circuit breaker or replace fuse. Do not increase fuse capacity. If problem is a circuit overload, have it corrected by a qualified electrician. If problem is a power outage, call local electric company.
- Water supply faucets are not turned on. "F01" is displayed. Turn on water supply faucets.
- Cycle selector is not in correct position. Move indicator clockwise slightly. Pull out knob.
- Motor is overheated. Washer motor will stop if it becomes overheated. It will automatically restart after a cool down period of up to 30 minutes (if washer has not been manually turned off).
- Dispenser drawer is not completely closed. Close dispenser drawer.

Washer won't spin.

- Washer door is not completely closed. "dr" (door open) is displayed. Close door completely.
- Dispenser drawer is not completely closed. "d:do" (dispenser door) is displayed. Close dispenser drawer.
- Load is too small. Add 1 or 2 similar items to help balance the load.

Residue left in tub.

- Heavily soiled items. Wipe drum with a nonabrasive household cleanser, then rinse. Shake or brush excess dirt and sand from items before washing.

Water collects in bleach and fabric softener compartments.

- This is a result of the siphoning action and is part of the normal operation of the washer. Water may be removed by removing the dispenser drawer into the empty drum or sink.

Wash load too wet after spin.

- Washer is overloaded. Do not overload washer. See **Washing Procedures**.
- Load is too small. Add 1 or 2 similar items to help balance the load.
- Load is out of balance. Rearrange load to allow proper spinning.
- Drain hose is kinked. Straighten drain hose.

Water does not enter washer or it enters slowly.

- Water supply is not adequate in area. "F01" is displayed. Check another faucet in the house. Wait until water supply and pressure increase.
 - Water supply faucets are not completely open. "F01" is displayed. Fully open hot and cold faucets.
 - Water is being used elsewhere in the house. Water pressure must be at least 30 psi (260 kPa). Avoid running water elsewhere while washer is filling.
 - Water inlet hoses are kinked. Straighten hoses.
-

OCCURRENCE

POSSIBLE CAUSE / SOLUTION

Warm or hot water is not hot enough.

- Hot water heater is set too low or is a distance from washer. Measure hot water temperature at nearby faucet with candy or meat thermometer. Water temperature should be at least 120°F (49°C). Adjust water heater as necessary.
- Hot water is being used elsewhere in the house. Avoid using hot water elsewhere before or during washer use. There may not be enough hot water available for proper cleaning. If problem persists, your hot water system may be unable to support more than 1 use at a time.

Water in washer does not drain or drains slowly.

- Drain hose is kinked or clogged. Clean and straighten the drain hose.

Water leaks.

- Fill hose connection is loose at faucet or washer. Check and tighten hose connections. Install rubber sealing washers provided.
- House drain pipes are clogged. Unclog drain pipes. Contact plumber if necessary.
- Oversudsing. Use less detergent.

Incorrect wash and rinse temperatures.

- Hot and cold water hoses are connected to wrong supply faucets. Connect hot water hose to hot water faucet and cold water hose to cold water faucet.

Water is entering washer, but tub does not fill.

- Drain hose standpipe is incorrect height. Standpipe must be a minimum of 23.6" (60 cm) high to prevent siphoning. See INSTALLATIONINSTRUCTIONS.
-

SAMPLE WARRANTY ALWAYS USE WARRANTY WITH PRODUCT

FRIGIDAIRE

Keep your sales

Tumble Action Washer Warranty

WARRANTY	FRIGIDAIRE WILL PAY
FULL ONE-YEAR WARRANTY	Labor and replacement parts which prove to be defective in materials or workmanship. <i>Any warranty service must be provided by Frigidaire or an authorized</i>
LIMITED 2nd-5th YEAR WARRANTY	Replacement part for the motor, driven pulley or motor controller
LIMITED 2nd-25th YEAR WARRANTY	Replacement part for an inner wash basket that breaks due to a defect in

FRIGIDAIRE WILL NOT PAY FOR:

1. Service calls where the problem is *not the fault* of the washer. Below are some, but not every example of issues where **you must pay the service call cost.**

Service calls to:

- remove shipping devices or to level your washer
- correct leaks at water inlet hose connections
- correct improper placement of drain hose in your drain
- advise you on proper setting of controls or to instruct you how to use the washer

Service calls where the problem is due to:

- house wiring faults, improper electrical voltage, blown house fuse, tripped circuit breaker
- slow or backed-up drain, weak (spongy) floor, insects or rodents causing the problem
- frozen water lines in the washer or house
- washer installed outside, exposed to the elements

2. Repairs for washer used in a commercial application or more than single-family household use.
3. Repairs for delivery damage to your washer or damage caused by misuse, fire, flood, acts of God, or use of parts or servicers not authorized by Frigidaire.
4. Any labor costs during the limited warranties.
5. Travel costs of servicer to your home in the state of Alaska.
6. Pickup, delivery or installation of your washer.
7. Repairs on products with serial plates that have been altered, removed, or cannot be read.
8. Consequential or incidental damages such as property damage and incidental expenses resulting from any breach of this written or any implied warranty. *Some states do not allow the exclusion or limitation of incidental or consequential damages, so this limitation or exclusion may not apply to you.*

Keep your sales receipt. The date on the receipt establishes the warranty period should service be required. This written warranty gives you specific rights. You may also have other rights which vary from state to state. If you need service, first read "Avoid Service Checklist" section of this booklet. If service is still needed, contact Frigidaire Home Products Consumer Service or an authorized Frigidaire servicer. For information on where to obtain service, contact our **Consumer Assistance Center** at 1-800-944-9044.

Product features or specifications as described or illustrated are subject to change without notice. This warranty made by White Consolidated Industries, Inc. applies only in the 50 states of the U.S.A. and Puerto Rico.

SECTION D - OPERATION

Membrane

The membrane is glued to the front of the console and contains switches which allow the user to program the control.



Control and Display

The control and display are mounted to the back of the console. The control:

1. Makes the neutral connections for the water valves, dispenser solenoids and the door lock solenoid.
2. Provides power to the wax motor, drain pump, and speed control board.
3. Sends signals to the speed control board to tell it what program to run.
4. Checks the status of the reed switch, door switch and the sensor.

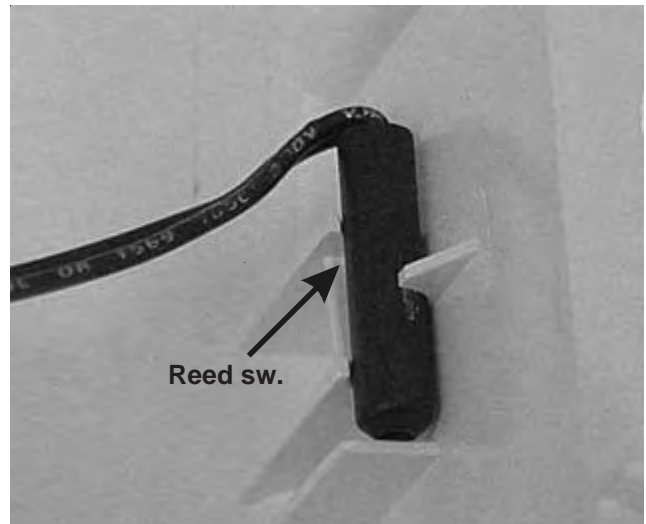


The display provides visual information, such as the time remaining in the cycle, door lock and delay start along with what part of the cycle the washer is in wash, rinse or final spin.

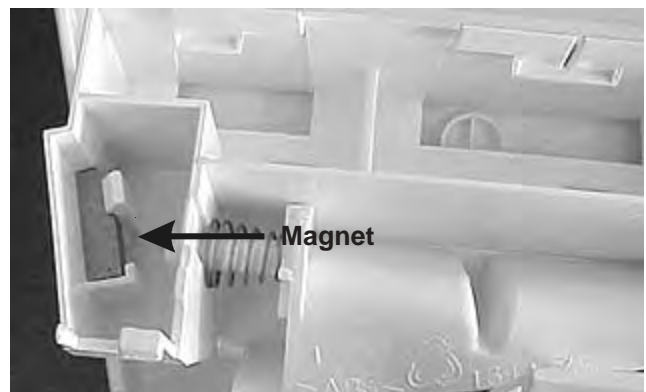


Dispenser Drawer Reed Switch

The dispenser drawer reed switch is a safety switch that prevents the washer from operating when the dispenser drawer is open. The switch is located behind the control panel next to the dispenser drawer. The electronic control board send a signal through the reed switch circuit. When the signal is interrupted by the contacts of the reed switch being open the board prevents the washer from operating.



It's contacts are controlled by the magnetic field of the magnet located in the front panel of the dispenser drawer.

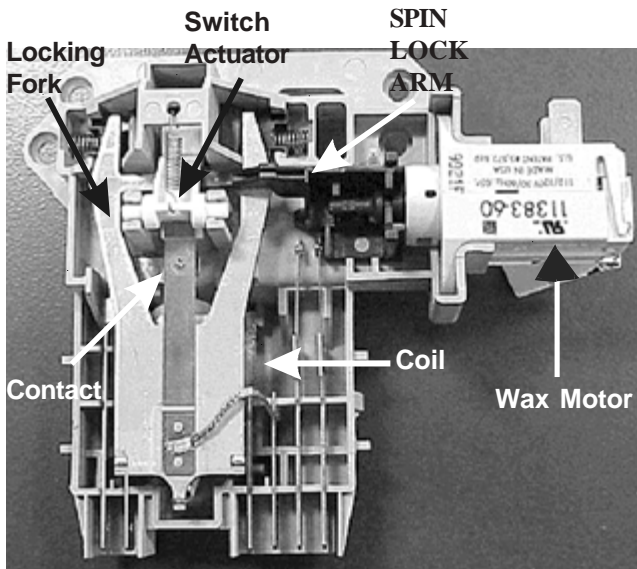


When the drawer is closed the magnet causes the contacts of the reed switch to close completing a circuit in the control board

Door Switch Assembly

The door switch assembly, located behind the front panel, is a safety feature that prevents the washer from operating when the door is open and locks the door in the spin cycle. The door lock assembly is made up of a coil, door

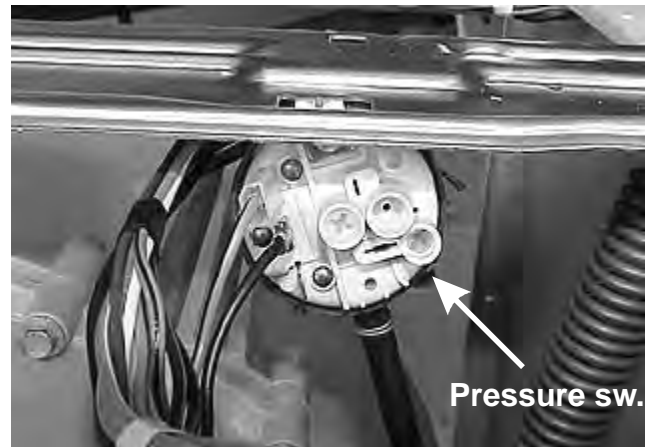
switch, switch actuator, locking fork, wax motor, and spin lock arm.



Power is applied to one side of the coil whenever power is applied to the washer. When a cycle is selected and the start pad is touched the control board connects the other side of the coil to neutral. The magnet field of the coil pulls the locking fork down and tries to pull the contacts of the door lock switch closed. If the washer door is open a tab on the switch actuator prevents the contacts from closing, (dr) will flash in the display and the locking fork will not allow the door to be closed until the stop pad is touched removing current from the coil. When the washer door is closed the door strike pivots the switch actuator out of the way allowing the magnetic field of the coil to close the contacts of the door lock switch and the locking fork locks the door. The wax motor and spin lock arm are used to prevent the door from being opened while the spin basket is still spinning. The wax motor is electrically in parallel with the drain pump. Power is applied to the wax motor when the washer is in spin. When power is applied to the wax motor it expands its piston within 30 to 40 seconds driving the spin lock arm between the locking fork and the switch actuator holding the locking fork down. When power is removed from the wax motor it takes about 90 seconds for the wax motor to cool down and retract the piston, pulling the spin lock arm back away from the locking fork. This provides enough time for the spin basket to slow its rotation down to the wash speed before the door could possibly be opened.

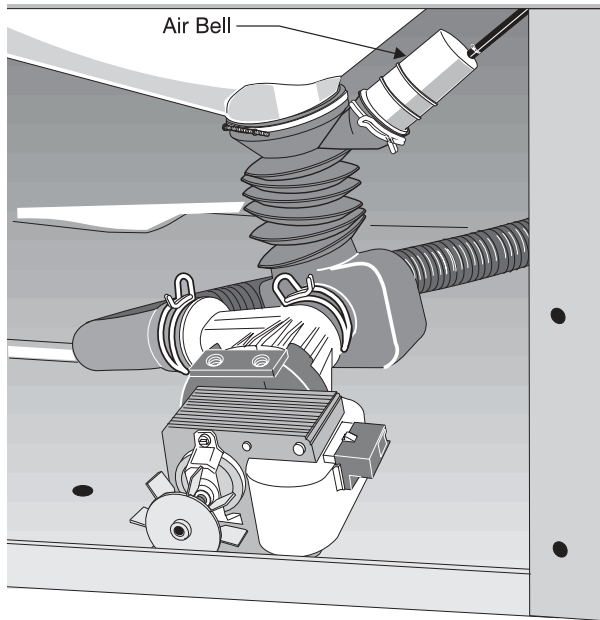
Pressure Switch

The pressure switch is mounted to the center bar under the top of the washer and controls the water level in the washer.



The pressure switch is made up of a single pole double throw switch, but only contacts 1 and 2 are used, that is controlled by a bellows inside a sealed chamber. The chamber is connect by a hose to the air bell located at the bottom of the washer attached to the drain boot. Electrical power is applied to the pressure switch whenever the contacts of the door switch are closed. If the water level is below 1/2 inch from the bottom of the spin basket, contacts 1 to 2 of the pressure switch close applying power to one side of the hot and cold solenoids of the water valve and the bleach and softener solenoids of the dispenser. The other side of the solenoids are connected to neutral by a relay contacts on the control board. When the cycle calls for water, depending on the water temperature selected and the increment of the cycle, the control board connects one, two or three of the solenoid coils to neutral activating the water valve or dispenser solenoids.

As the tub begin to fill, air trapped in the air bell and hose is compressed increasing the air pressure against the bellow.



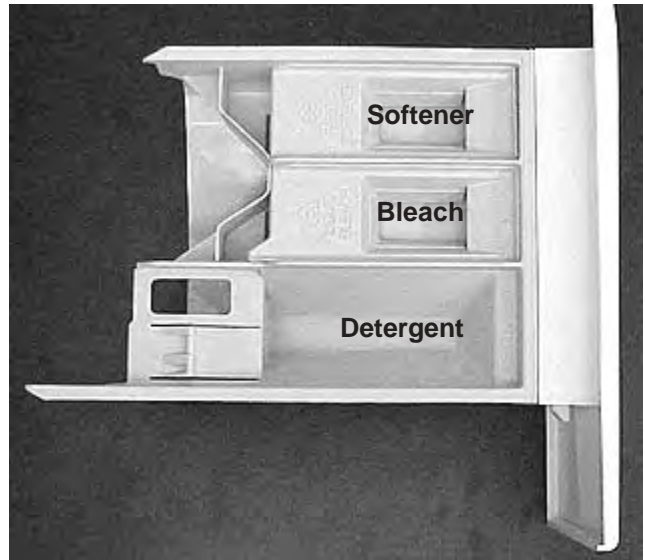
When the water level reaches about 2 1/2 inches from the bottom of the spin basket the bellow opens contacts 1 to 2 removing power from the water inlet valves and dispenser solenoids.

Automatic Dispenser

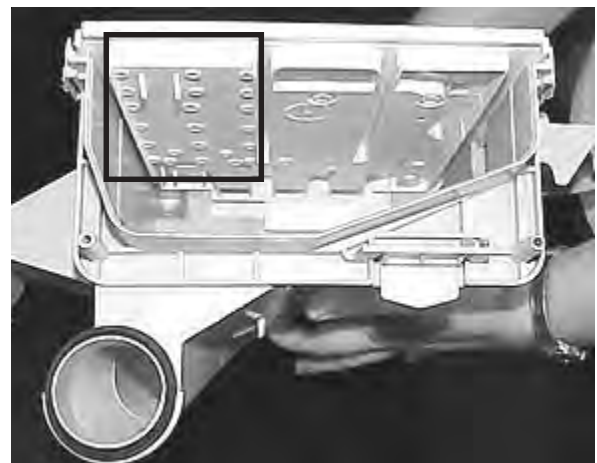
The automatic dispenser for detergent, liquid bleach and fabric softener system is made up of the dispenser cavity,



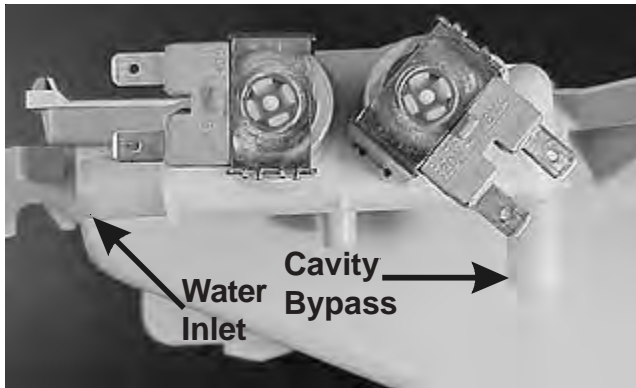
and a removable drawer with three cavities, one for detergent, one for bleach and one for fabric softener.



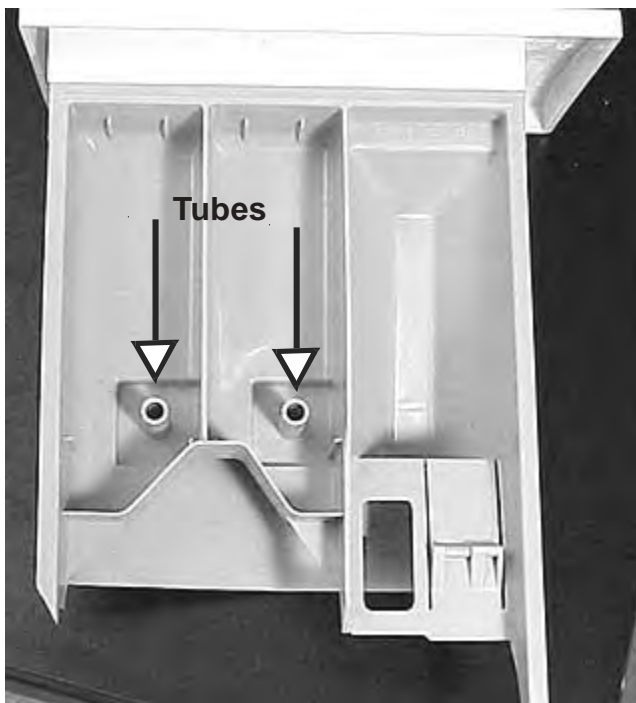
The dispenser cavity is connected to the water inlet valve by a hose. All the water that enters the washer passes through the solenoid valve assembly attached to the rear of the dispenser cavity. The water entering this assembly has four exit paths, two of which depend on input from the control board. The remaining two paths allow water to go through the cavity bypass and into the soap cavity through holes in the top of the dispenser during each fill.



Bleach and fabric softener dispensing are controlled by the control board at specified times in the cycle by using the electrical solenoids and redirecting some of the water fill into their containers.

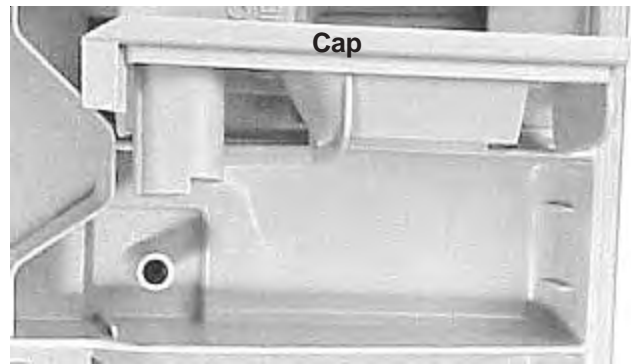


The bleach and the fabric softener cavities have tubes molded into the bottom which allows the cavity to be filled without being immediately dispensed into the washer.

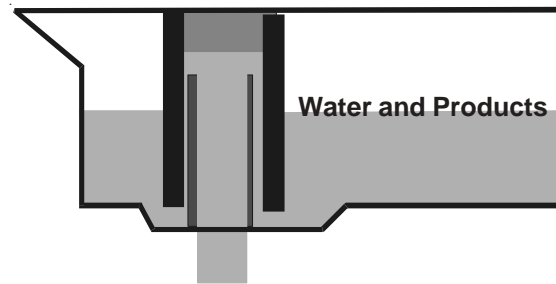


Bleach and fabric softener inserts fit into each respective cavity and have a tube molded onto them. These tubes are larger than the tubes in the cavity and are designed to fit over the tubes, but not touch the bottom of the cavity when the insert is installed. When the correct time comes for the bleach or the fabric softener to enter the tub the control board connects the solenoid behind

that cavity to neutral allowing part of the incoming water to enter the cavity.



When water is added to either the bleach or fabric softener liquid, the mixture level rises between the two tubes above the tube in the cavity and flows into the washer tub. Since the end of the tube on the insert does not touch the bottom of the cavity, a siphoning action is created. When the solenoid activates and allows water into the cavity, the added water creates an "overflow" condition and starts the siphoning. The cavity then empty itself when the water is turned off by the solenoid.



Auto Temp System

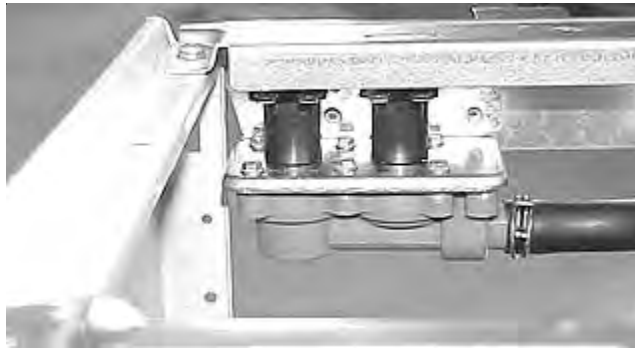
The auto temp system controls the minimum temperature of the cold water setting (approximately 70° F.) and maximum temperature of the warm and hot water setting (approximately 90° F. and 150° F.). Auto temp system is made up of the control board and a positive thermal sensor connected in the water hose between the water valve and the dispenser.



When warm or hot temperature is selected, the control board connects the hot water solenoid to neutral and cycles the cold water solenoid off and on to regulated the temperature. When cold temperature is selected, the control board connects the cold water solenoid to neutral and cycles the hot water solenoid off and on to regulated the temperature.

Water Inlet Valve

The water valve is mounted to the rear rail under the main top in the lefthand corner.



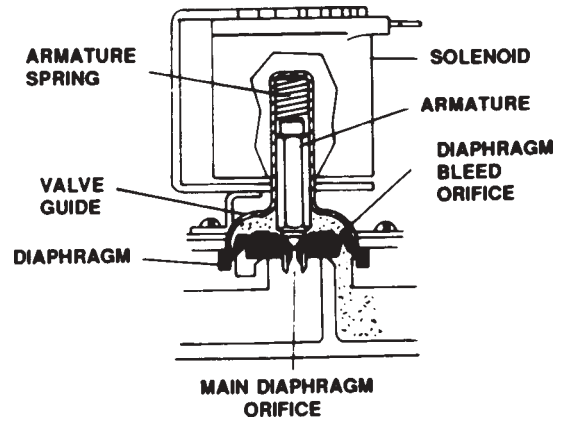
The water inlet valve is actually two solenoid operating valves in one body. A hot water valve and a cold water valve discharge into a common mixing chamber. The flow of water out of the chamber is controlled by a molded in flow washer capable of maintaining a flow rate of 3.0 - 14.6 gallons per minute, with incoming water pressure of 30 to 120 P.S.I. The inlet valve is controlled by the control board individually or together, to provide hot, cold, or warm water for washing and cold or warm water for rinsing.

Valve Operation

Both inlet solenoid valves are identical in construction and operation. The valve body provides an air passage with a large orifice and seat where the water can be stopped. The outlet of the valve body empties into the mixing chamber. A moveable rubber diaphragm operates against the valve seat to start and stop the flow of water. The diaphragm is operated by water pressure. It has a small bleed orifice outside the seat contact area, and a large main orifice at its center. The armature of the solenoid serves to open and close the main orifice. The armature operates within a closed metal tube (valve guide) which is sealed by the outer edge of the diaphragm to the valve body. A coil spring holds the armature down against the diaphragm main orifice when the solenoid is not energized.

The following line drawings and text explains basic valve operation.

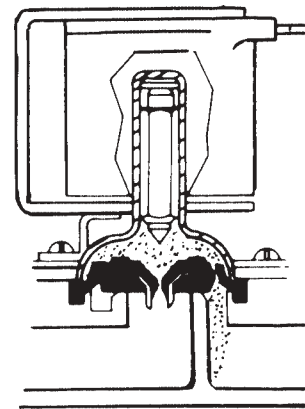
When the valve is in a closed position, the solenoid is not energized. Water has bled through the diaphragm bleed orifice placing incoming line pressure on top of the diaphragm. The bottom of the diaphragm is essentially at atmospheric pressure (open to the outlet) and the pressure differential holds the valve shut.



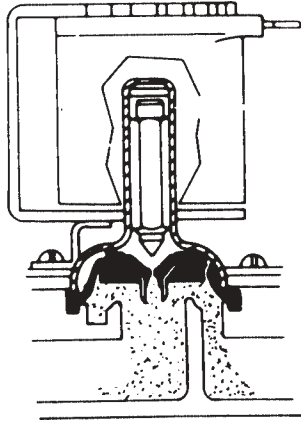
Water Valve Closed

When the solenoid is energized, the resulting magnetic field pulls the armature up into the valve guide. The armature spring is compressed by this action. When the armature moves up, it allows the water on the top of the diaphragm to drain through the main orifice.

The diaphragm bleed orifice is much smaller than the main orifice and will not admit enough water to maintain pressure on the top side of the diaphragm. Thus, as the pressure on the top of the diaphragm is reduced to almost zero, the pressure on the bottom lifts the diaphragm off the valve seat, allowing a full flow of water.

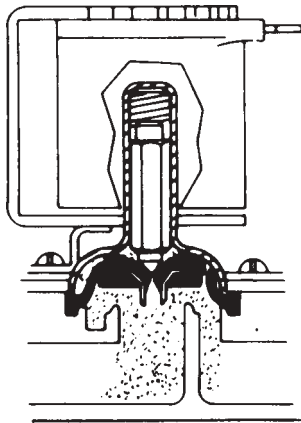


Solenoid Activated



Water Valve Open and Diaphragm Up

When the solenoid is de-energized, the armature drops down, closing the diaphragm main orifice. Water continues to flow through the diaphragm bleed orifice, equalizing the pressure and allowing the spring to push the diaphragm down against the valve seat.

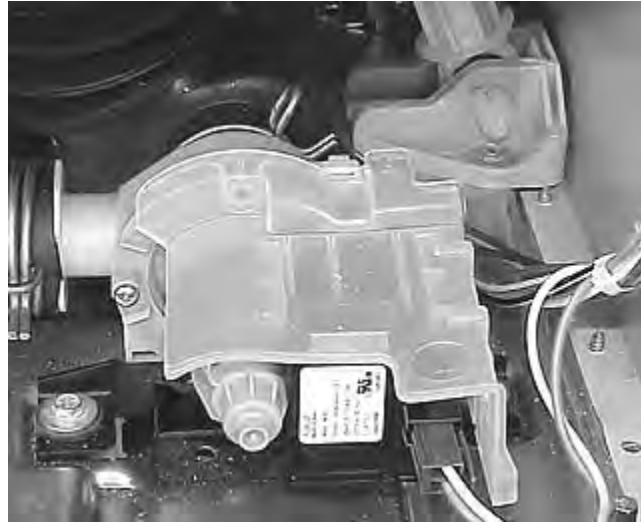


Water Valve Closing

Drain Pump

The drain pump is mounted to the bottom plate of the washer, in the right front corner, behind the access panel. It operates on 120 VAC and is controlled by the control board. The pump out specifications of the drain

pump vary from 12 G.P.M with a 3 foot standpipe height to 7 G.P.M. with a 8 foot standpipe height.



Speed Control

The speed control board is mounted to the bottom plate of the washer in the right rear corner of the washer. The speed control board controls the following operations:



Note: The control board is board that is mounted in the console and the speed control board is the board that is in the right rear corner of the washer.

1. Advancement of the increments by connecting and disconnecting neutral to pin 7 of the seven pin plug of the control board.
2. The timing of each function, and the speed and direction of the drive motor. The speed control board

has six terminals marked on the schematic as A,B,C,D,E, and F that receive inputs or codes from the control board. These inputs or codes program the speed control board to run the drive motor at a certain speed and for a preset length of time. When the program is complete, the speed control board sends a signal to the control board to advance to the next increment.

3. The speed of the drive motor by converting input line to neutral single phase 60 Hertz voltage, to a varying frequency, three phase output voltage from zero to 300 VAC. By varying the amount, frequency, and polarity of the voltage and comparing the input from the tachogenerator on the drive motor, the speed control board can operate the drive motor at a preprogrammed speed and direction.
4. The balance of the load in the washer during the spin cycle by converting the sine wave from the tachogenerator to square waves and comparing the distance between the square waves.

Motor

The motor is mounted to the bottom of the outer tub.



The motor is an induction, three phase AC motor that varies speeds when the voltage from the speed control board varies in frequency and amount. The motor has a tachogenerator that inputs the speed of the motor to the speed control board.

SECTION E - CONSTRUCTION

The front loading, tumble action clothes washer consists of a perforated, cylindrical spin basket suspended horizontally on its axis within a larger solid cylindrical tub. This assembly is suspended by springs within a four piece steel cabinet. A see through door and a flexible bellows (seal) provides access for loading and unloading clothes.

Front console models are shipped with a painted top panel, but a galvanized panel is available if the washer is to be installed undercounter.

Cabinet

The cabinet is made of heavy steel in a four piece design with an enamel finish. The sides and front are riveted at the front corners and base. The rear of the cabinet is galvanized steel and is secured with screws.

Front Panel and Door Assembly

The front panel is riveted to the side panels for maximum strength and structural rigidity.

Bellows

The bellows is a rubber sleeve that seals the suspended outer tub to the stationary cabinet front at the tub opening. Its purpose is to provide a water tight opening into the tub

that can be sealed by the cabinet door, yet allow flexibility for the oscillation of the tub during the wash and spin cycles.

Outer Tub Assembly

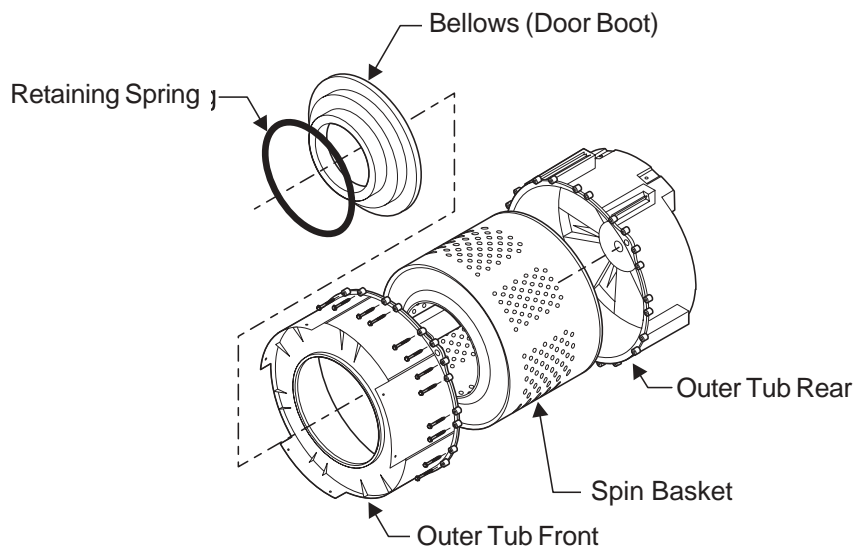
The outer tub assembly is supported by two suspension springs and stabilized by two air shock assemblies. Cement counter weights are mounted to the outer tub front (top & bottom), and the rear top. These counter weights prevent excessive oscillation of the entire suspended assembly during an unbalanced spin cycle.

Spin Basket Assembly

The spin basket is constructed of stainless steel. The circumference of the basket is perforated to allow water to flow through it as it revolves. A heavy steel shaft is pressed into the spin basket support which is then bolted to the basket. The spin basket assembly is entirely supported by two ball bearings pressed into the rear of the outer tub.

A large drive pulley is mounted to the free end of the shaft that extends through the rear of the outer tub.

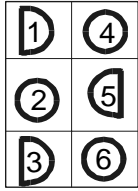
There are three plastic vanes mounted to the spin basket to aid in the washing action during the wash cycle. The rotation of the spin basket provides both the washing action during the wash cycle, and water extraction during the spin cycle.



SECTION F - TROUBLESHOOTING FLOW CHARTS

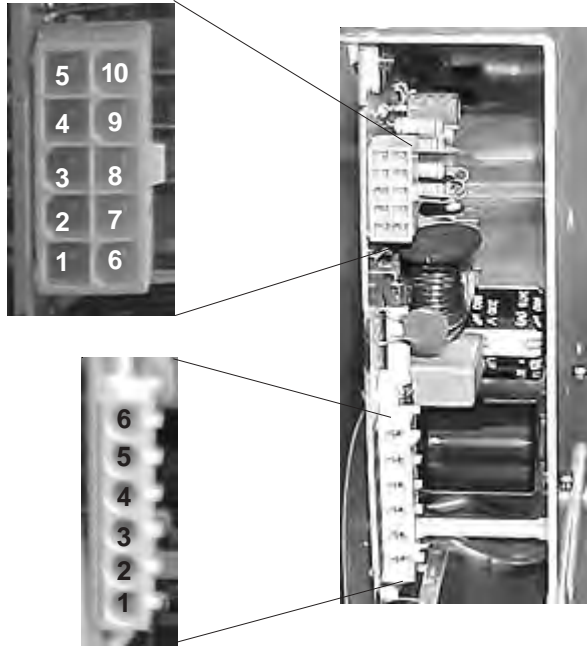
NOTE: Always check the wiring and pin/plug connectors before replacing any component.

Washer completely inoperative.	Page 48
Display does not illuminate.	Page 49
Washer will not fill.	Page 49
Washer does not advance through the cycles.	Page 50
Washer does not drain.	Page 50
Bleach dispenser does not operate.	Page 51
Softener dispenser does not operate.	Page 51
Drive motor does not turn.	Page 52
Drive motor spins but does not tumble.	Page 53
Drive motor tumbles but does not spin.	Page 53
Drive motor tumbles very slowly when the washer is in operation.	Page 54
Incorrect spin speed for selected setting.	Page 54
Water fill does not turn off.	Page 55
Incorrect water level.	Page 55
Slow water fill.	Page 56
Warm water temperature above or cold water temperature below specifications	Page 56
Washer will only fill with cold water in the wash cycle, when the warm/cold setting is selected.	Page 57
Washer will only fill with hot water in the wash cycle, when the warm/cold setting is selected.	Page 57



**MOTOR PLUG - MALE
(END VIEW)**

**10 PIN PLUG (C 10)
SPEED CONTROL BOARD**



**6 PIN PLUG (C 6)
SPEED CONTROL BOARD**

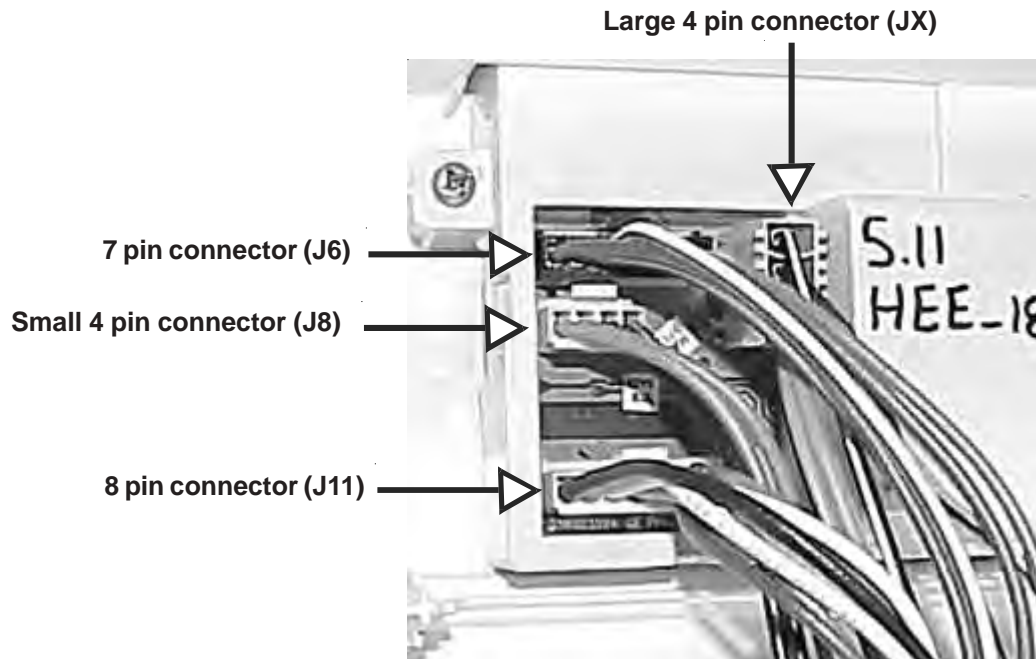
**10 PIN PLUG (C 10)
SPEED CONTROL BOARD**

**FUSE
(See NOTE
Page 52)**

**6 PIN PLUG (C 6)
SPEED CONTROL BOARD**



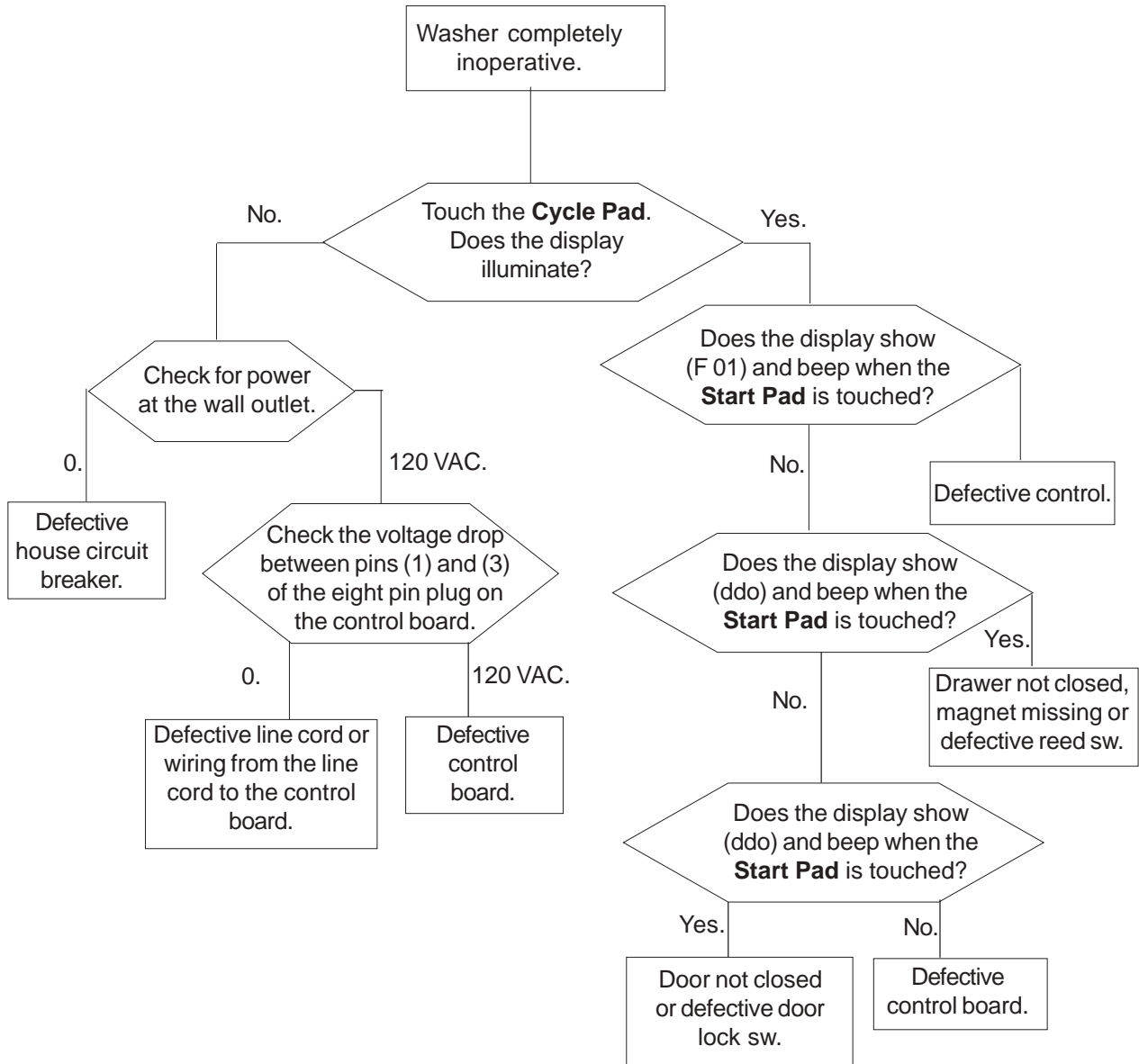
CONTROL BOARD CONNECTORS



Note: Pin (3) of the eight pin plug is neutral

Washer completely inoperative.

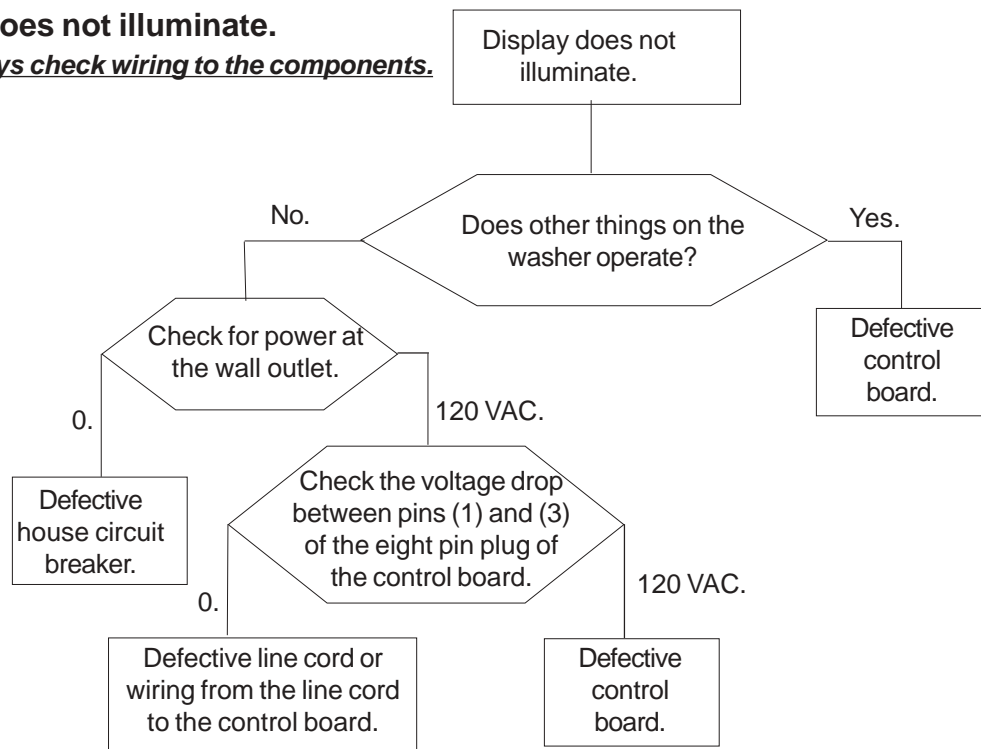
Note: Always check wiring to the components.



Note: The control board is the board in the console.

Display does not illuminate.

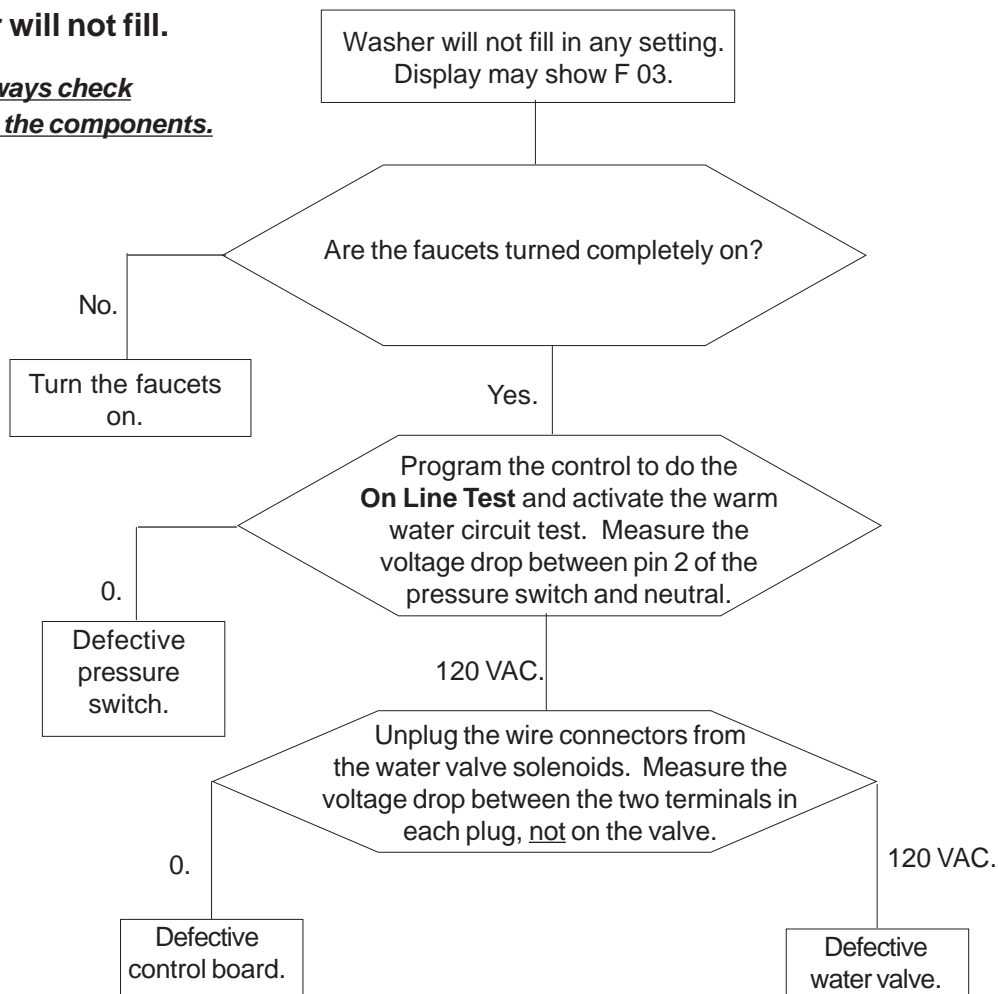
Note: Always check wiring to the components.



Note: The control board is the board in the console.

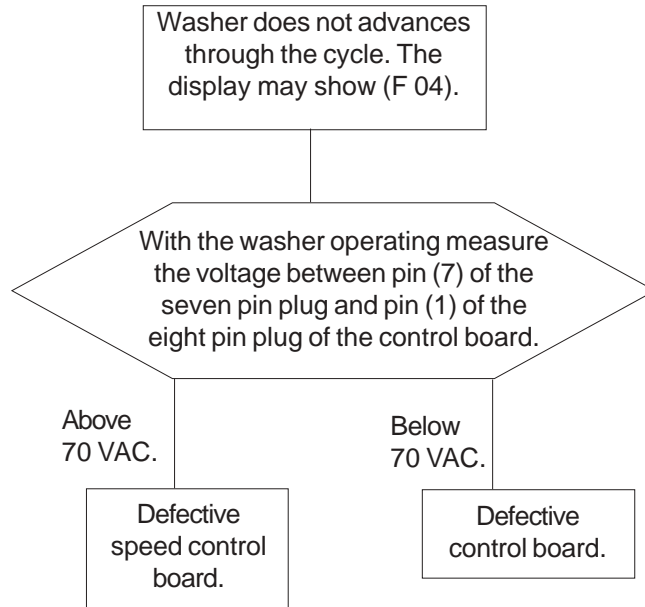
Washer will not fill.

Note: Always check wiring to the components.



Washer does not advance through the cycles.

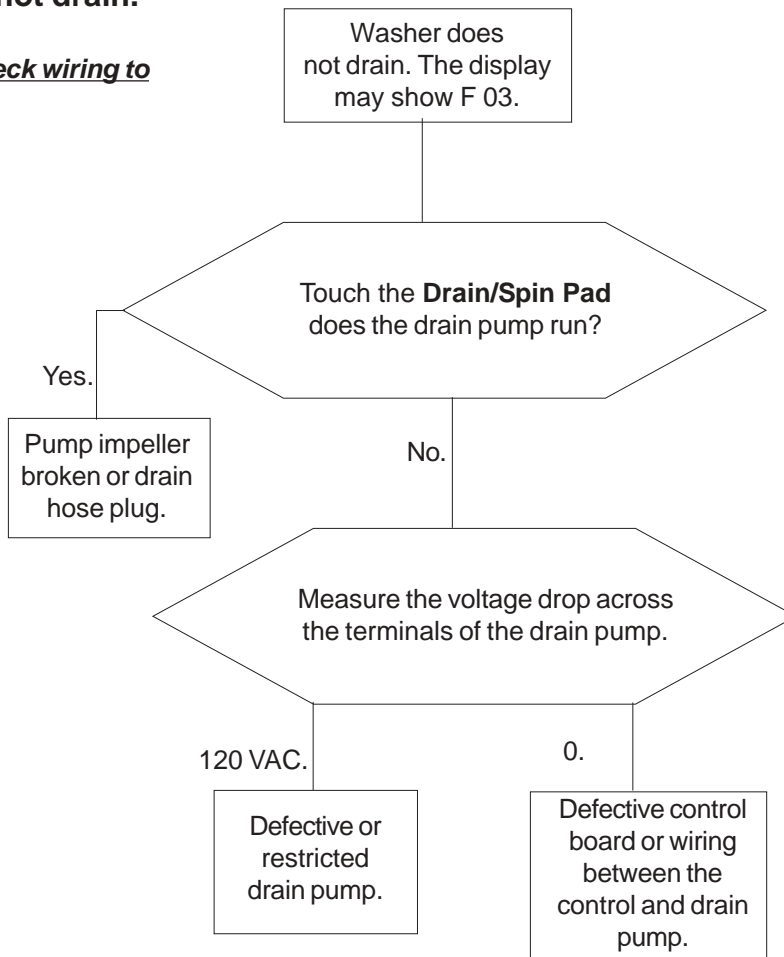
Note: Always check wiring to the components.



Note: The control board is the board in the console. The speed control board is the board in the right rear corner.

Washer does not drain.

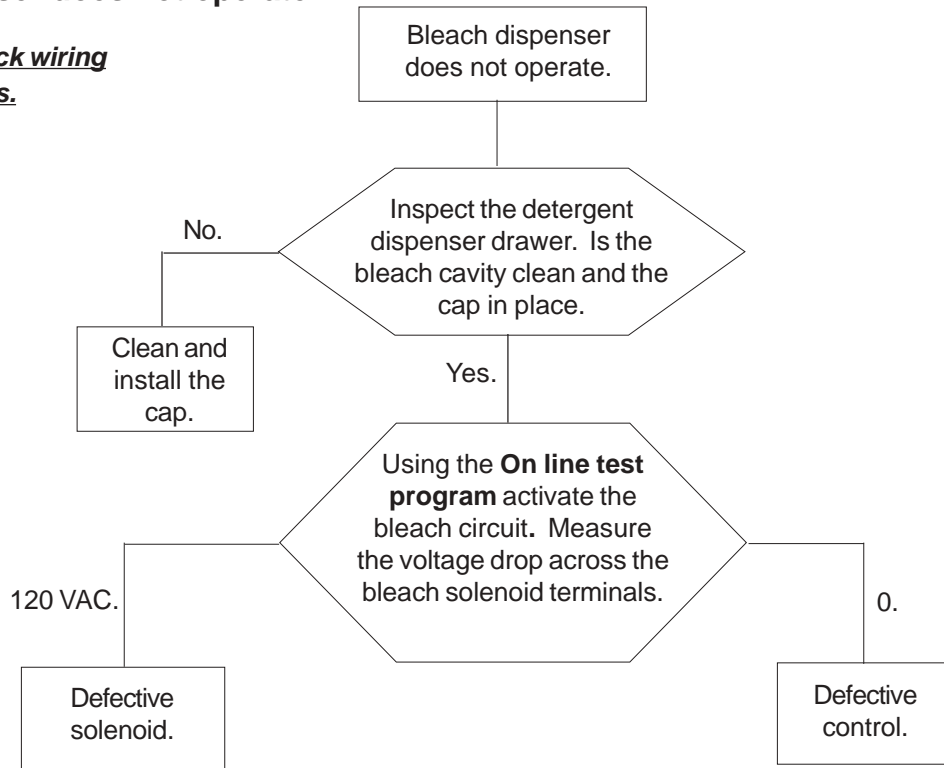
Note: Always check wiring to the components.



Note: The control board is the board in the console.

Bleach dispenser does not operate.

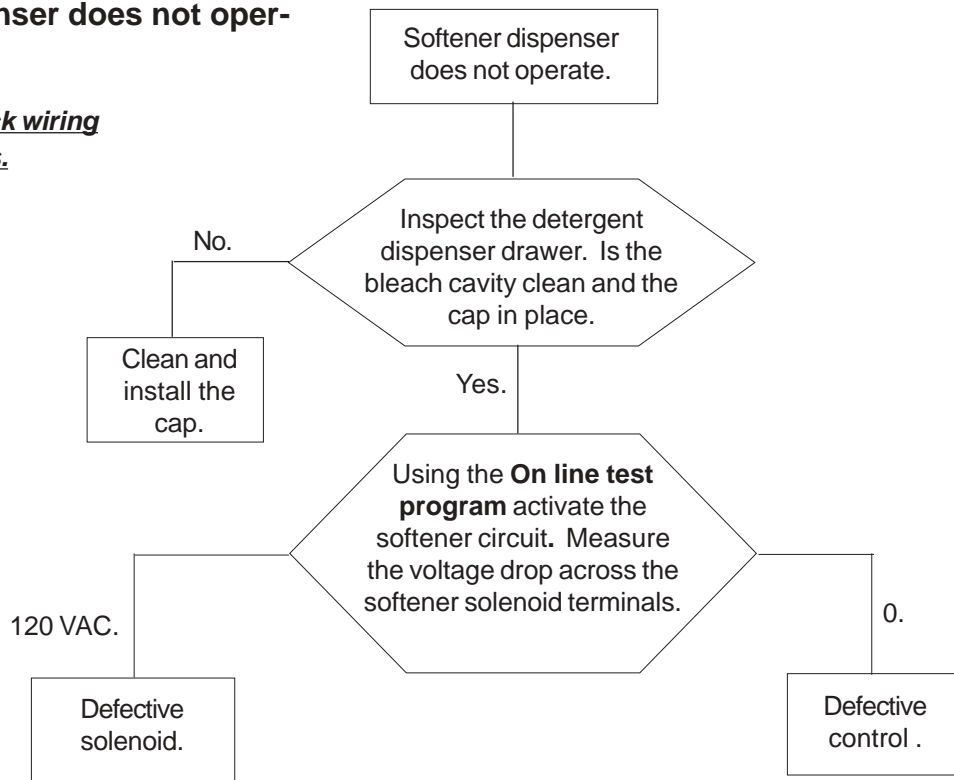
Note: Always check wiring to the components.



Note: The control board is the board in the console.

Softener dispenser does not operate.

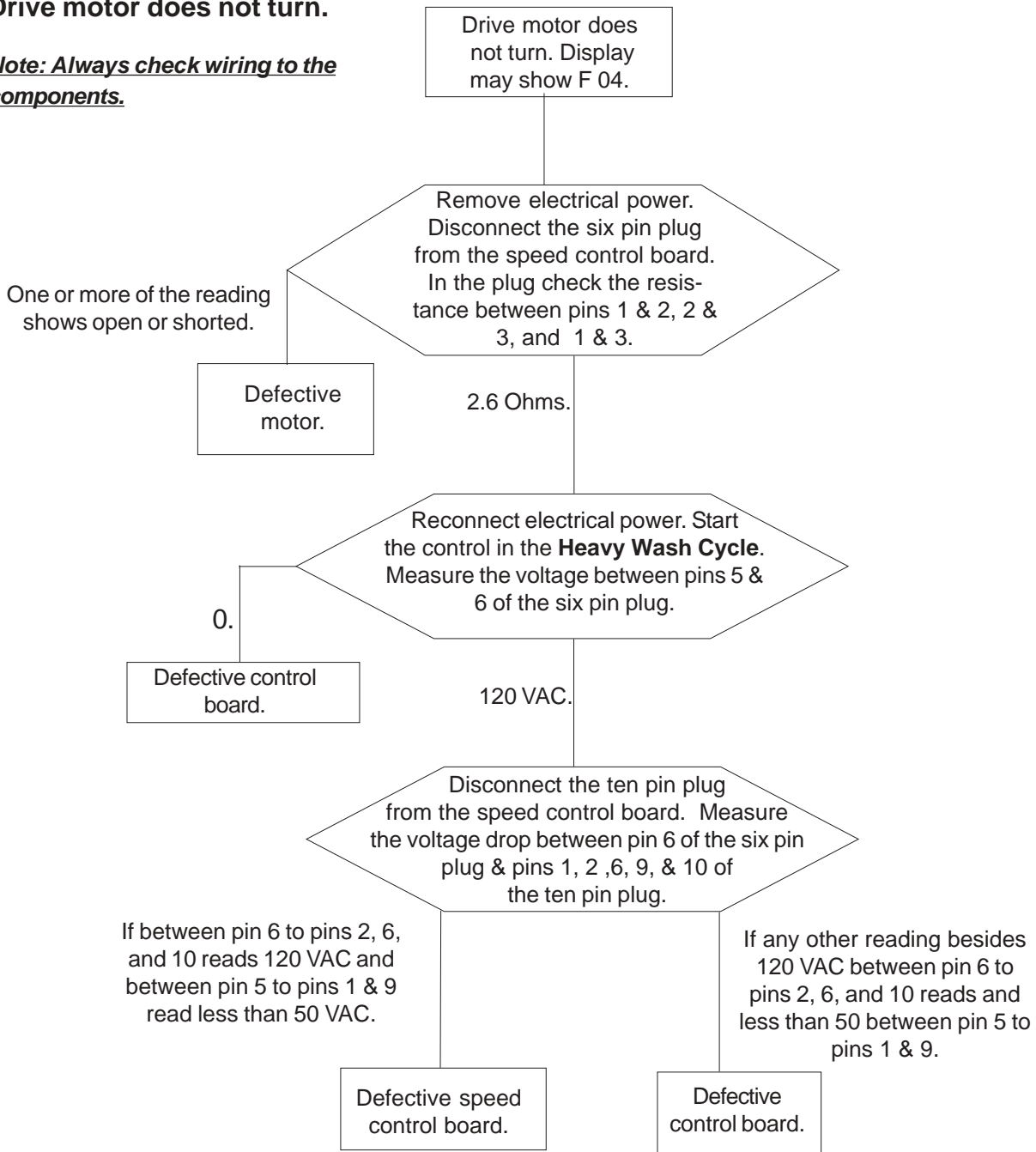
Note: Always check wiring to the components.



Note: The control board is the board in the console.

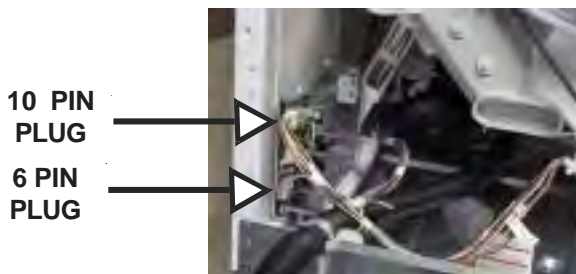
Drive motor does not turn.

Note: Always check wiring to the components.



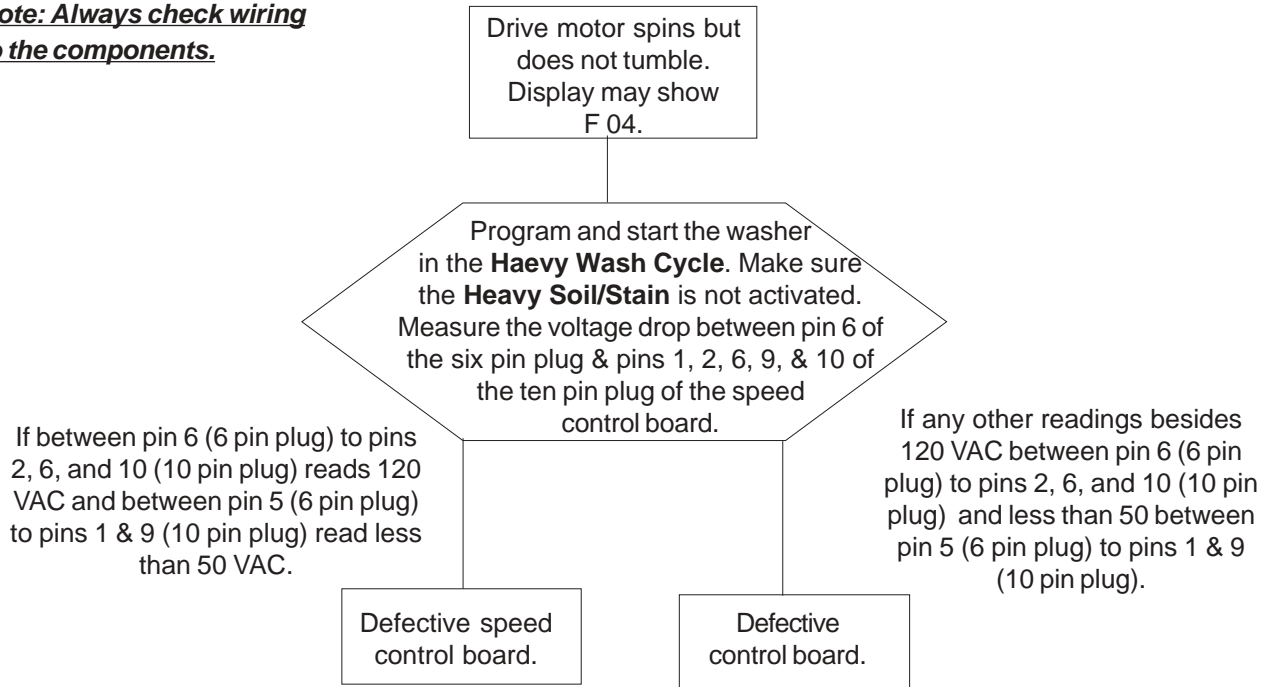
NOTE: If the drive motor windings check open or shorted check the fuse on the speed control board. If the fuse is open, check the motor before replacing the speed control board.

Note: The control board is the board in the console. The speed control board is the board in the right rear corner.



Drive motor spins but does not tumble.

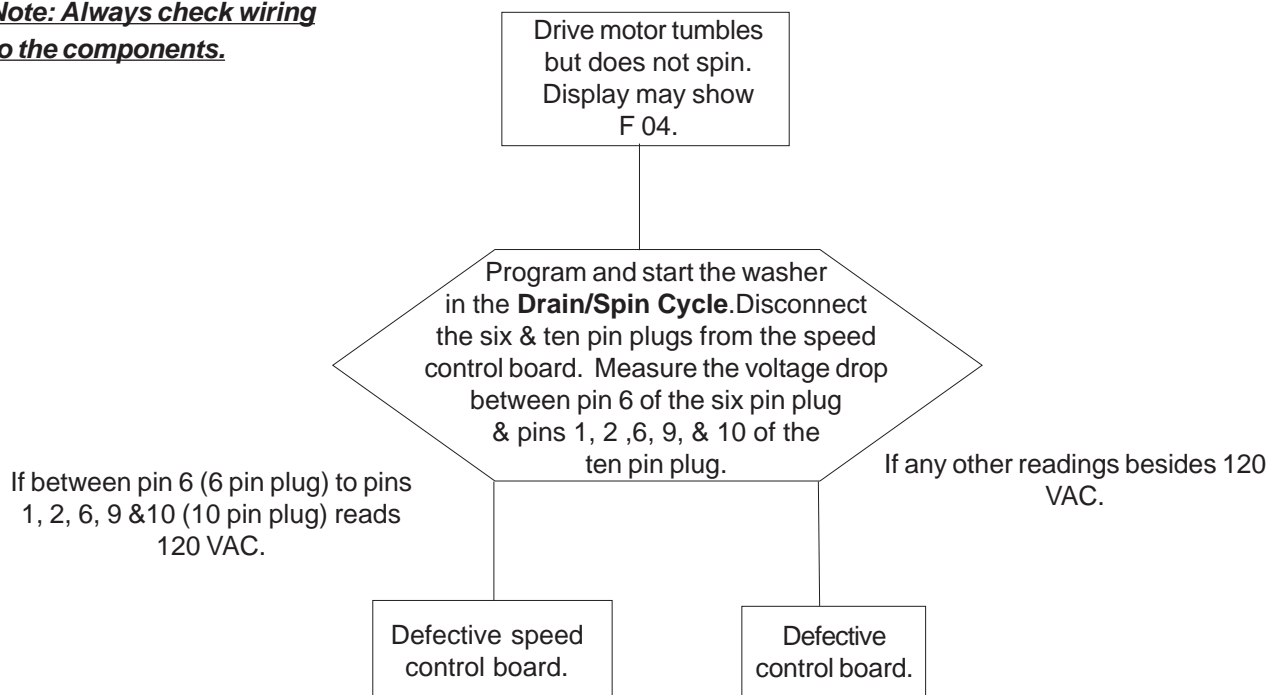
Note: Always check wiring to the components.



Note: The control board is the board in the console. The speed control board is the board in the right rear corner.

Drive motor tumbles but does not spin.

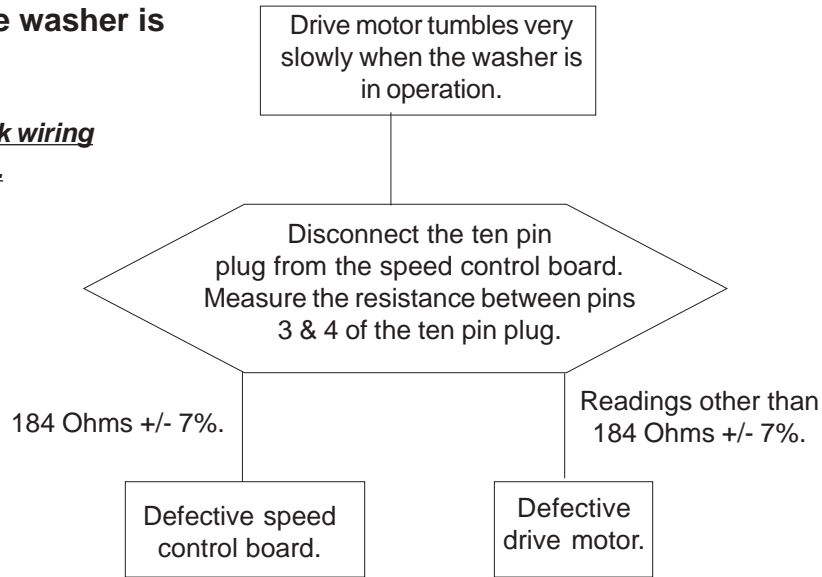
Note: Always check wiring to the components.



Note: The control board is the board in the console. The speed control board is the board in the right rear corner.

Drive motor tumbles very slowly when the washer is in operation.

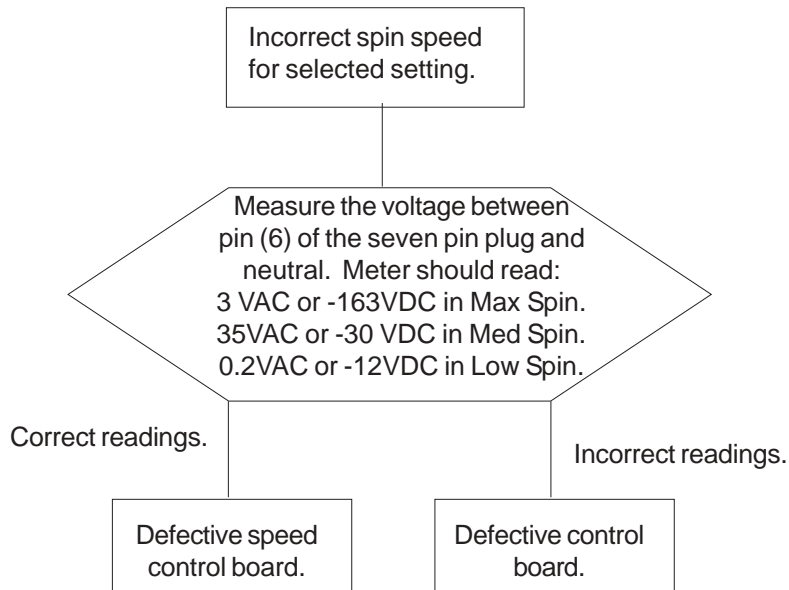
Note: Always check wiring to the components.



Note: The control board is the board in the console. The speed control board is the board in the right rear corner.

Incorrect spin speed for selected setting.

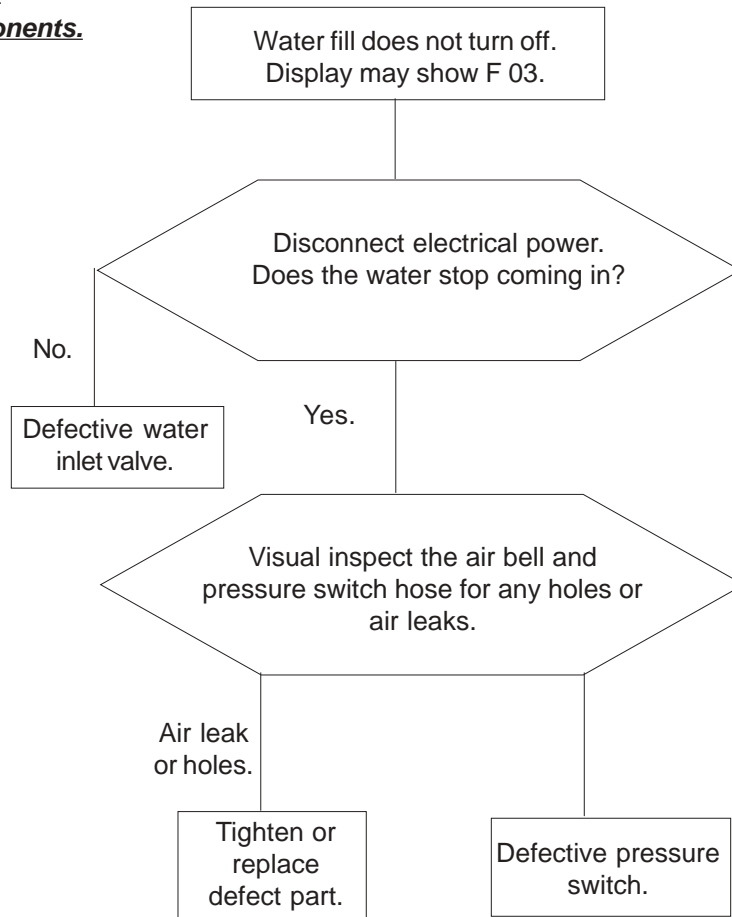
Note: Always check wiring to the components.



Note: The control board is the board in the console. The speed control board is the board in the right rear corner.

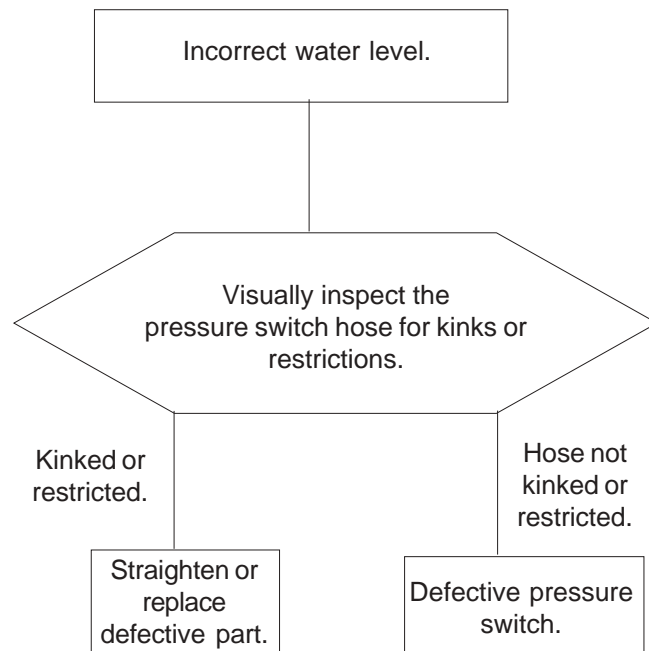
Water fill does not turn off

Note: Always check wiring to the components.



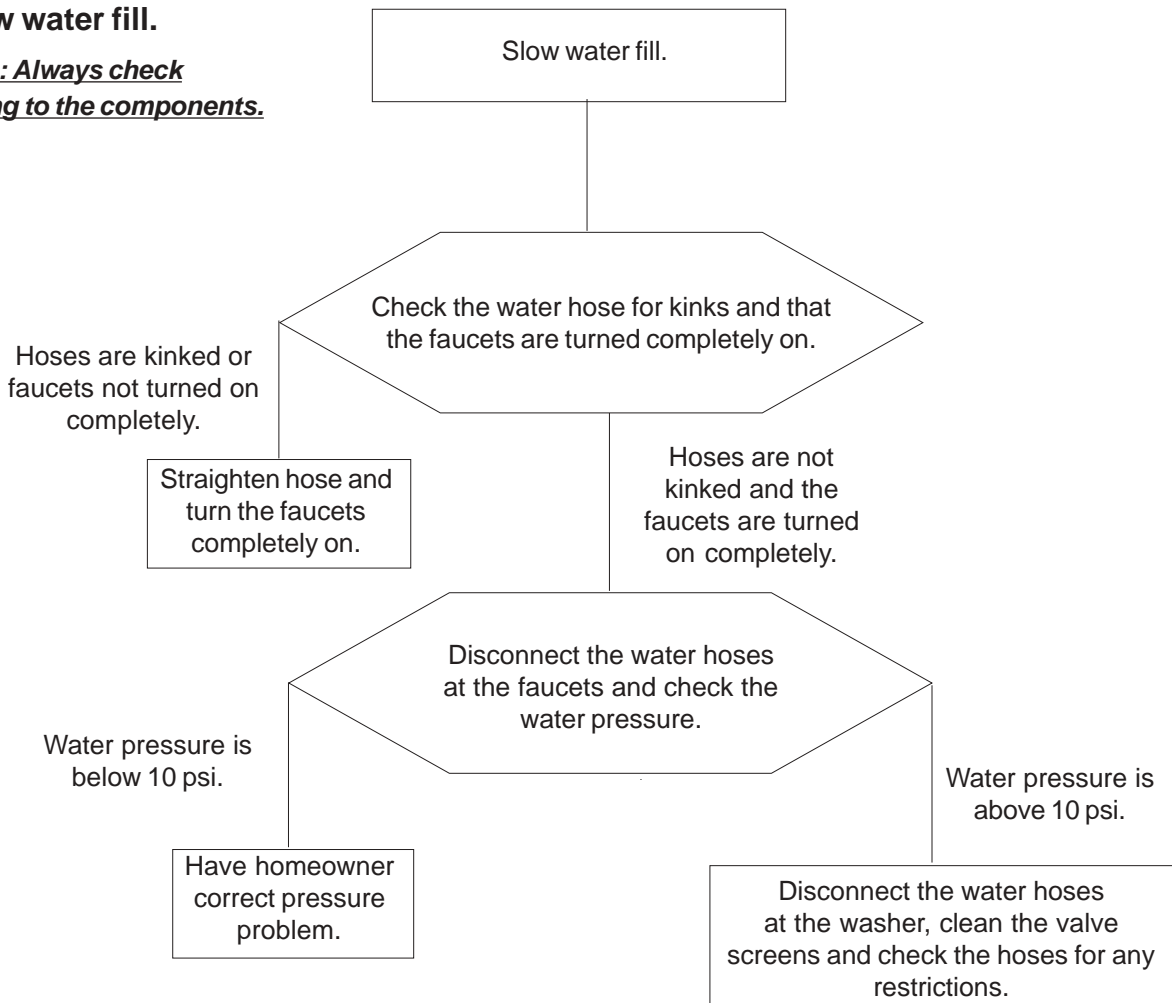
Incorrect water level.

Note: Always check wiring to the components.



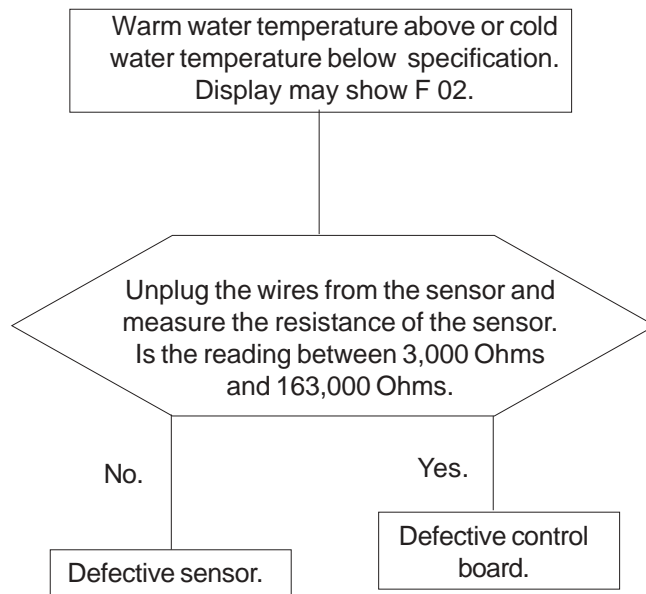
Slow water fill.

Note: Always check wiring to the components.



Warm water temperature above or cold water temperature below specifications.

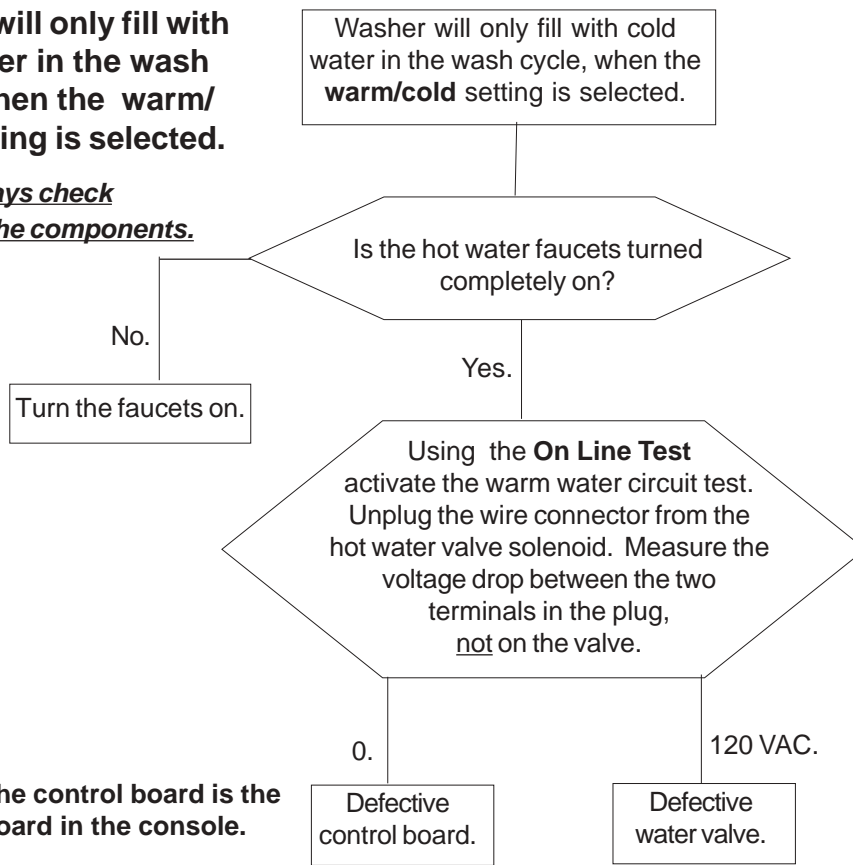
Note: Always check wiring to the components.



Note: The control board is the board in the console.

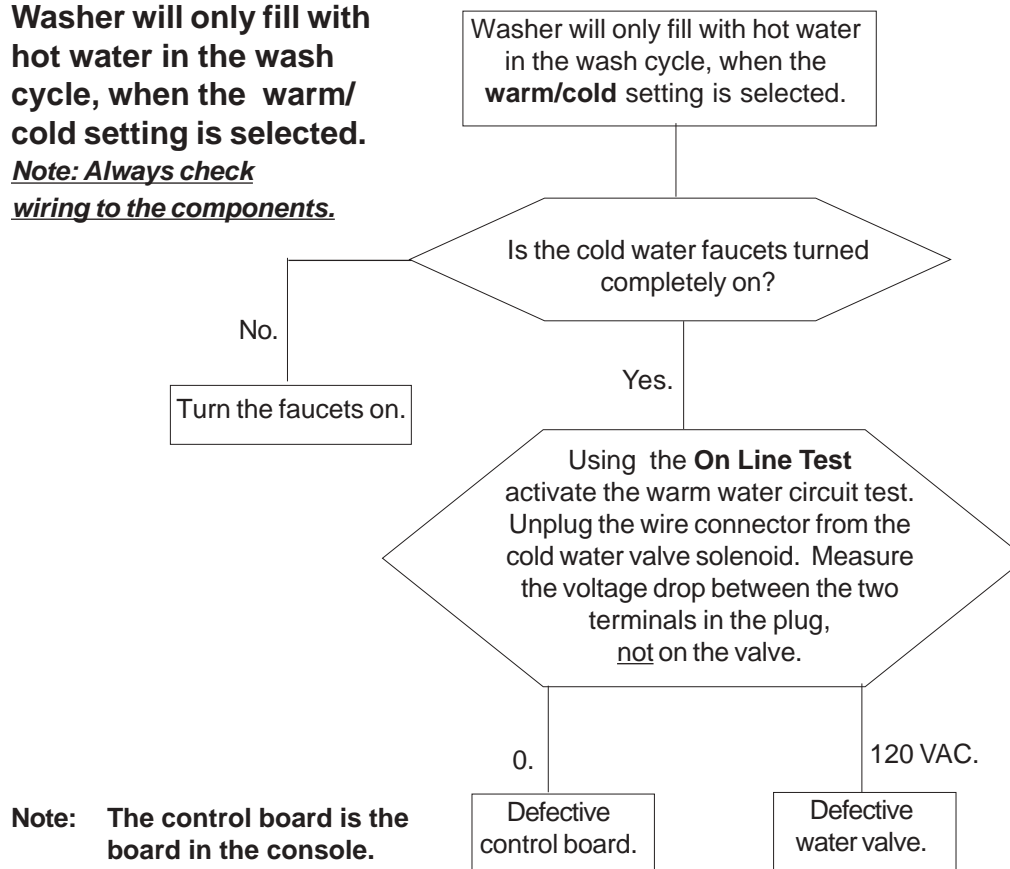
Washer will only fill with cold water in the wash cycle, when the warm/cold setting is selected.

Note: Always check wiring to the components.



Washer will only fill with hot water in the wash cycle, when the warm/cold setting is selected.

Note: Always check wiring to the components.



SECTION G - TEARDOWN

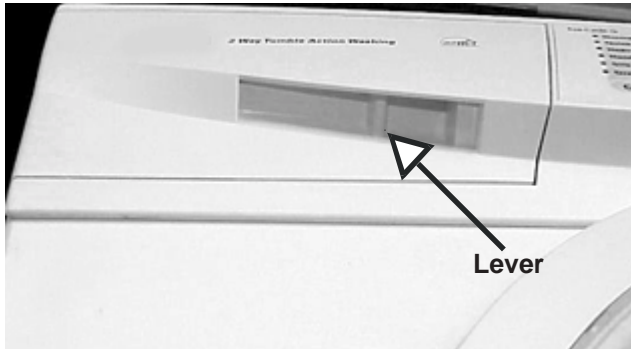
This section will describe how to remove components from the washer. Unless stated, reverse the procedure to reinstall the component.

⚠ WARNING Always remove electrical power from the washer when working in an area where electrical power is present.

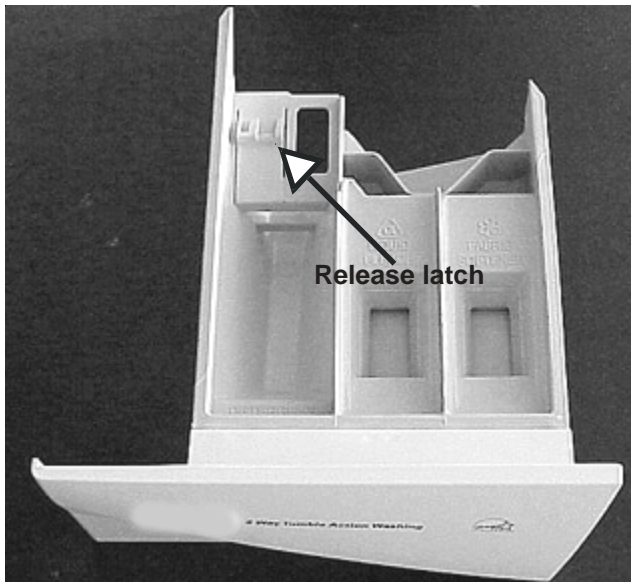
⚠ WARNING Always turn the water off to the washer before disconnecting any hoses.

Removing the detergent drawer:

1. Slide the safety latch lever to the right and pull the drawer out until it hits the stop.

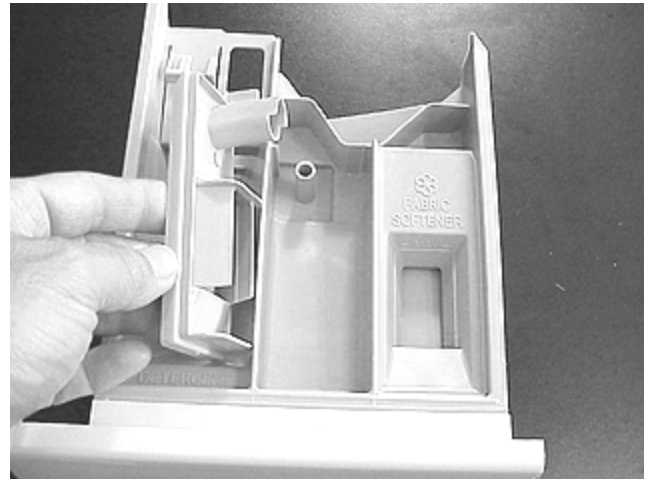


2. Push down on the release tab and pull the drawer the rest of the way out.

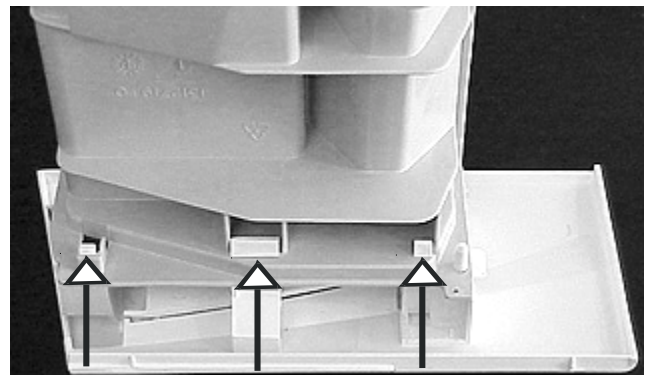


Detergent drawer disassembly:

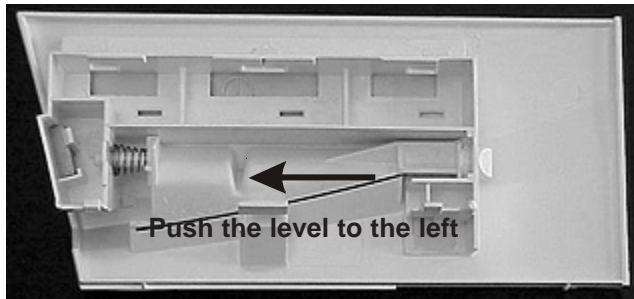
1. Remove the drawer from the washer.
2. The liquid bleach and fabric softener inserts lift off. When reinstalling be sure to seat them properly and in the correct location.



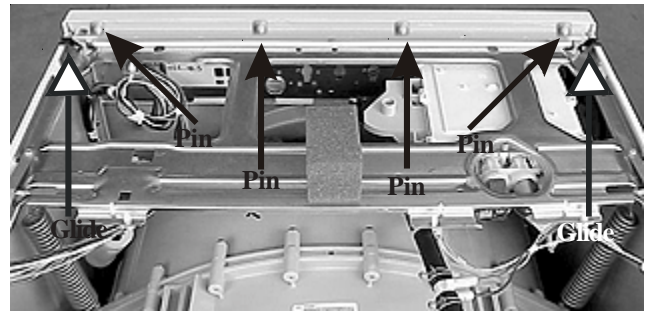
3. To remove the drawer front release the three tabs and pull the drawer front away from the body. When replacing the drawer front always remember to transfer the reed switch magnet.



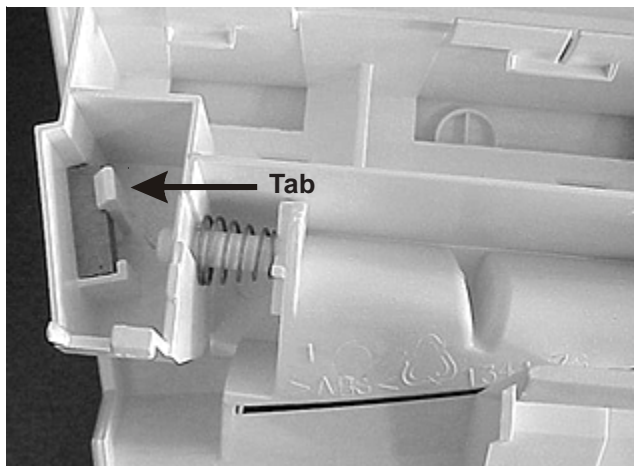
- To remove the safety latch lever compress the spring by moving the lever completely to the left and lift the lever out.



- Slide the top back about an inch and lift the top off.

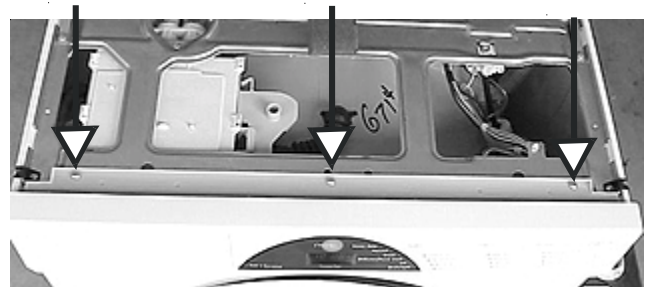


- To remove the magnet pull the tab to the right.



Removing the console:

- Disconnect the washer from electrical supply.
- Remove the top panel and the detergent drawer.
- Remove the (3) screws holding the console to the cross brace.



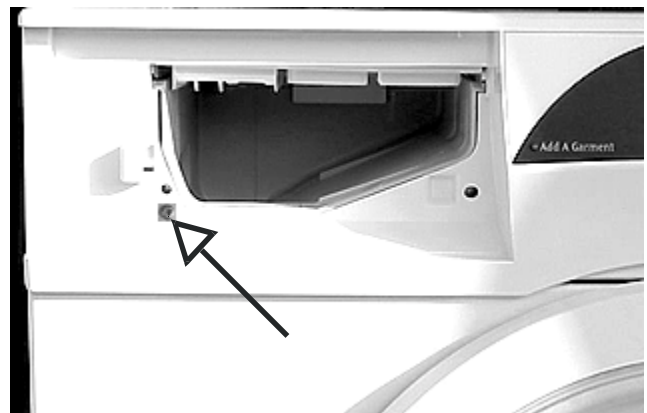
Removing the top panel:

The washer is shipped with a decorative top panel.

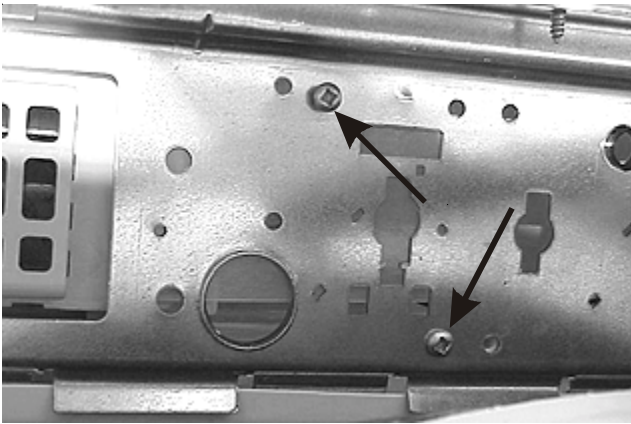
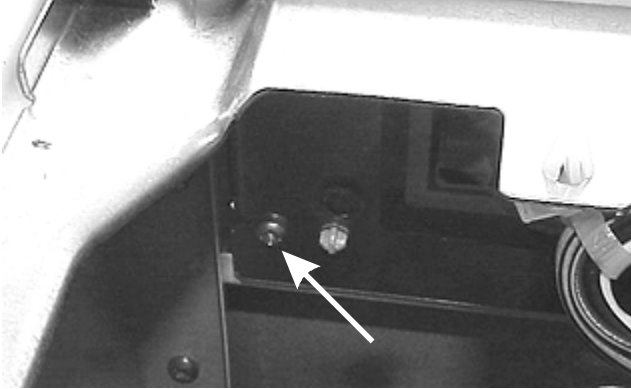
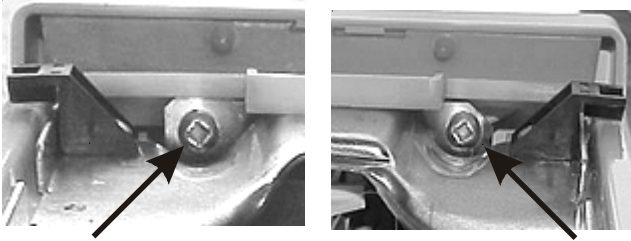
- The top panel is secured by two screws in the rear, four plastic pins and a plastic guide on each side in the front.
- Remove (2) screws securing top to the rear of the cabinet.



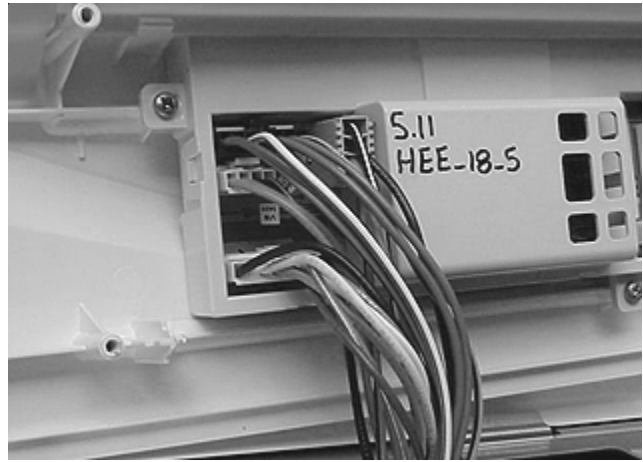
- Remove the screw from the detergent drawer opening.



5. Remove (1) screw from each front corner and (3) screws below the front cross brace, one on the right side and two in the middle.

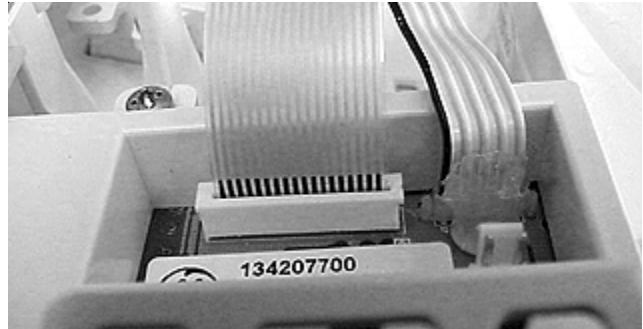


6. Disconnect the (4) wire harness plugs from the back of the control and lift the control off.

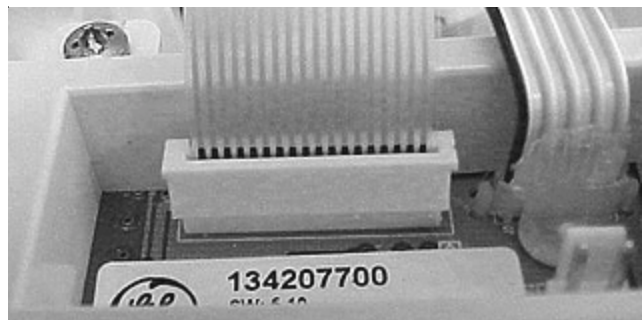


Removing the control and display:

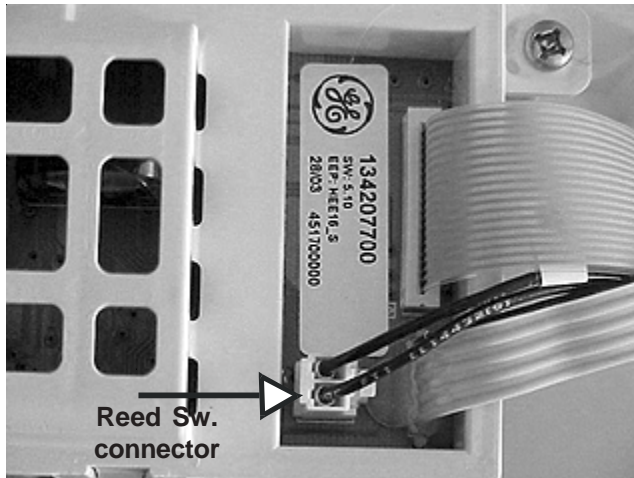
1. Disconnect the washer from electrical supply.
2. Remove the top and the console.
3. Release the ribbon by unlocking the ribbon connector by lifting connector about 1/4 of an inch away from the board.



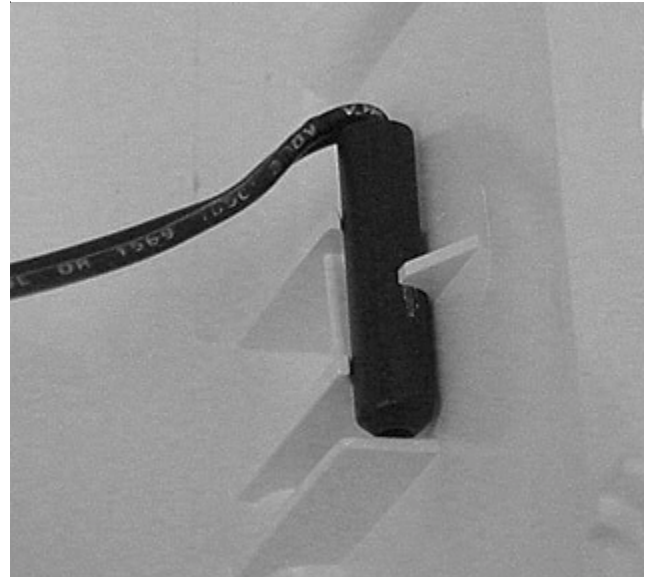
Connector in the locked position



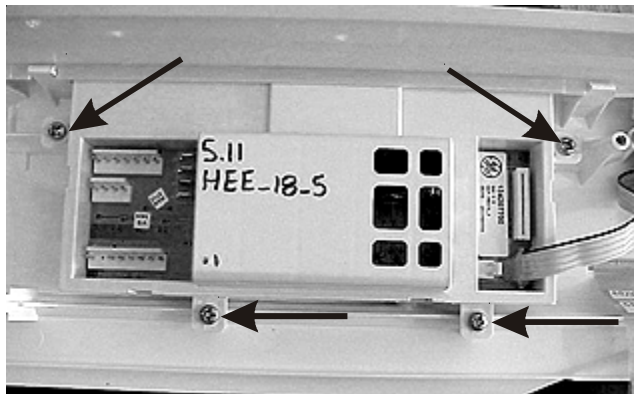
Connector in the unlocked position



- Unplug the reed switch harness from the control and unsnap the reed switch from the console.



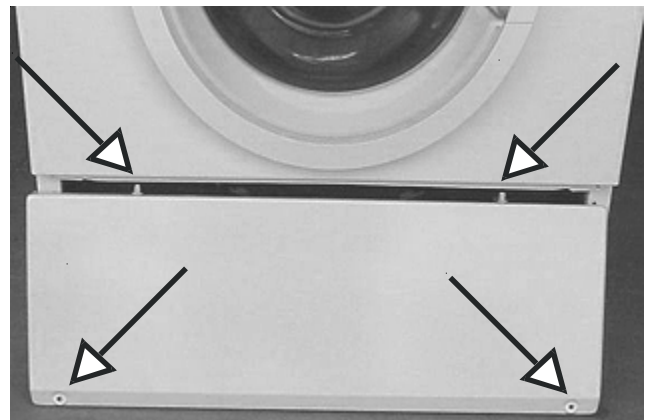
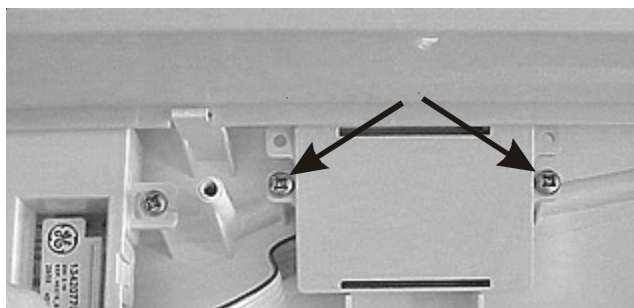
- Remove the (4) screws holding the control to the console and the (2) screws holding display to the console.



Note: The replacement console and touch pad are replaced as one part.

Removing the front service panel:

- The front service panel is held in place by two nylon pins at the top and two 1/4" hex screws located at each bottom corner.



- Lift the control and display off as one unit.

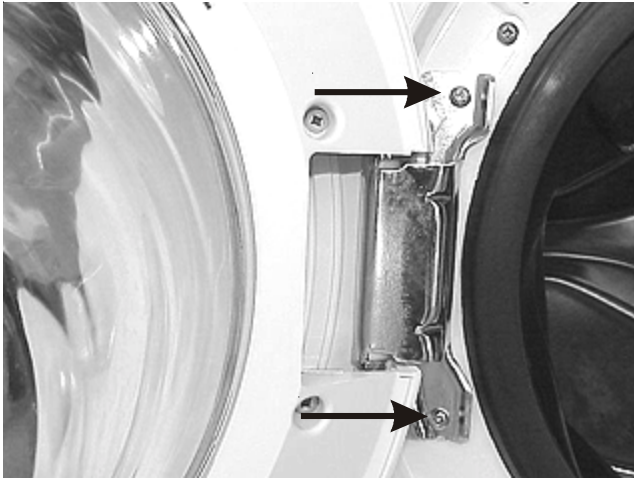
Removing the reed switch:

- Disconnect the washer from electrical supply.
- Roll the console forward.

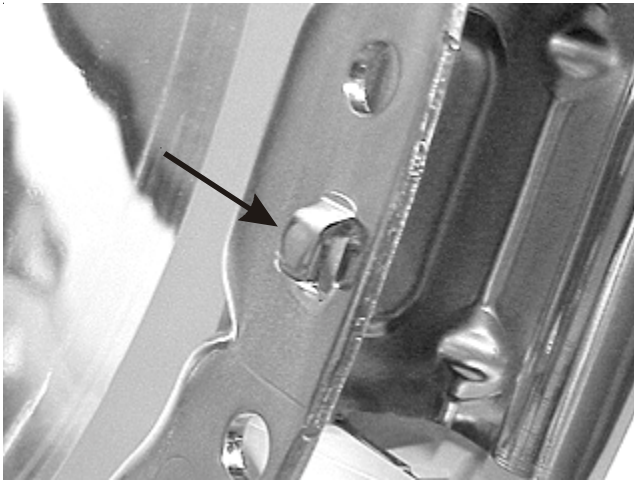
- Remove the two 1/4" hex screws located at each bottom corner. Pull down and forward.

To remove loading door and hinge:

1. Remove the door by removing the (2) screws holding the hinge to the washer front.

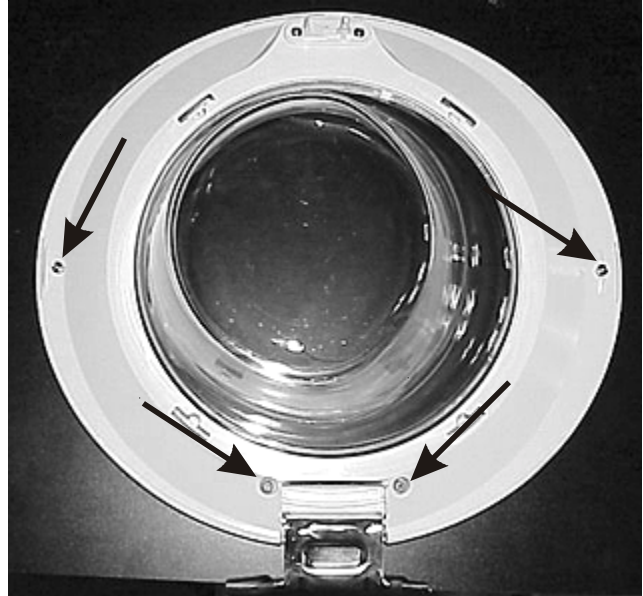


2. Lift the door and hinge up to disengage the hinge tab from the washer front and remove the door and hinge.

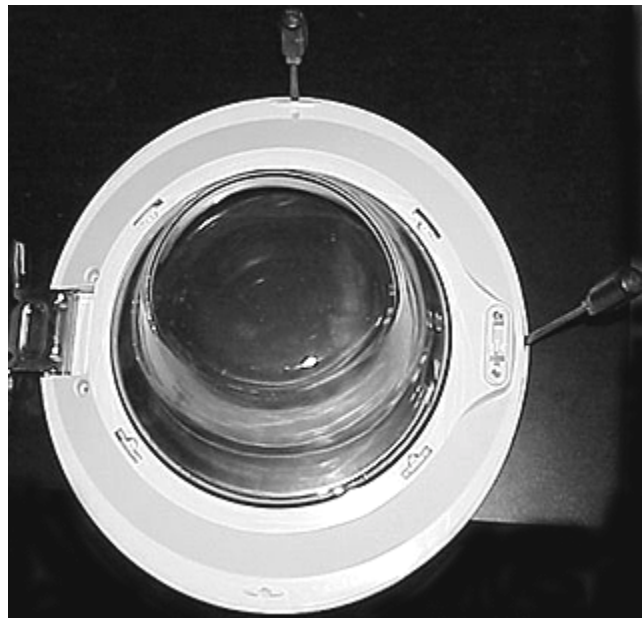


Disassembling the door:

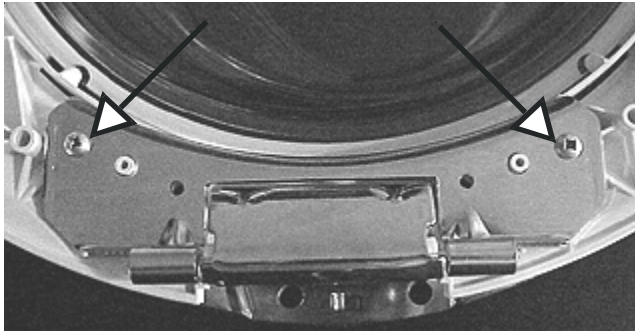
1. Remove the (4) screws holding the two half of the door together (2) at the hinge, (1) at the top and (1) at the bottom .



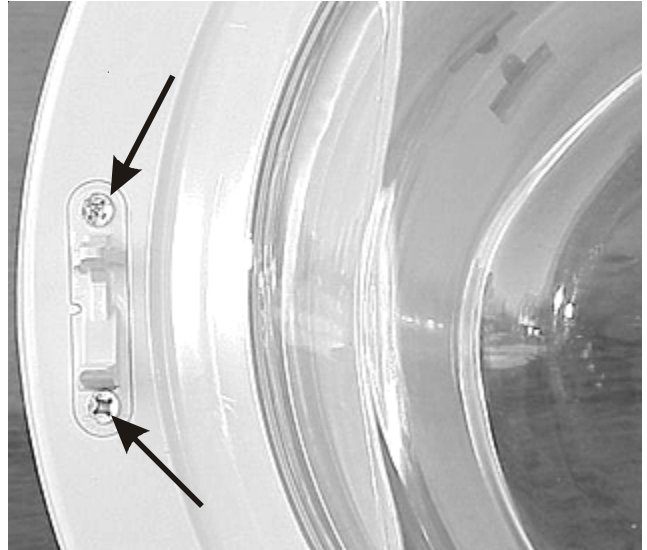
3. Using two flat bladed screwdrivers place one in the cavity by the latch and one in cavity by the top screw and gently pry the cover off.



4. Remove the hinge by removing the (2) screws holding the hinge to the inner door panel.



2. Remove (2) screws which secure strike to inner door panel.



4. The glass is held in place by four molded tabs in the rear door cover. To remove the glass grab the edge of the cover by the tab and twist it away from the glass.



Removing the door safety switch:

1. Disconnect washer from electrical supply.
2. Remove top panel and front service panel.
3. Reaching in from the top unplug the three connectors from the door switch.



5. Reinstall the glass into door frame by pressing into place. Note locating notches on glass which ensures correct position.

To remove door strike:

1. Open loading door.

4. Reach up from the bottom and hold the switch while removing the two screws from the front. Then drop the switch assembly out the bottom.



NOTE: The connectors can be disconnected from the bottom, but it is more difficult.

Removing the bellows (door boot):

1. If the machine has a dryer stacked on top, or is positioned in such a way that it would be difficult to move, you will be better off leaving it where it is. However, if it is possible, it is easier to do this job if the machine can be leaned back against a wall protect the wall with cloth or rug). By leaning it back, the tubs will hang back from the (non-removable) front panel and you will have increased space to work. If leaning it back is not possible, then a 6 or 8 inch block of wood can be wedge between the front panel and the tub to hold the tub back out of the way.

2. The boot is attached to a lip around the perimeter of the opening on the front panel and is glued on in spots about three inches apart, all the way around. Use a razor blade and carefully slice the glued spots on the boot away from the front panel.

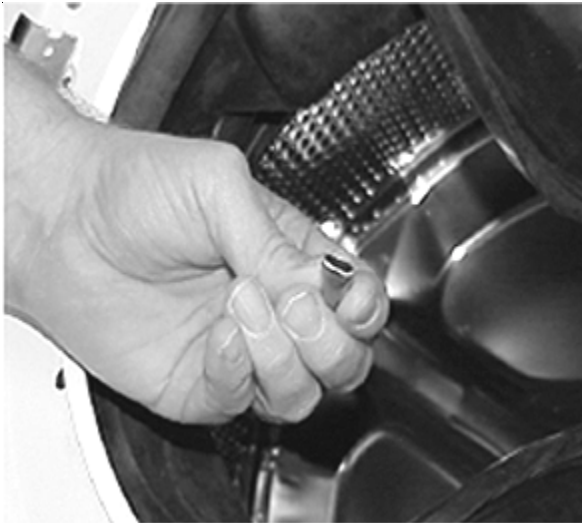


3. Once the boot is loose from the front panel, push it into the opening of the tub and out of the way.



At this point, if the machine is not leaning back, take your block of wood and while pushing back on the tub through the opening, wedge the block between the front panel and the tub about ten inches to the bottom - right of the opening. This will afford you more space to work with the boot.

4. The boot is still attached to the water inlet duct that is located just inside the front panel at the upper left corner from the opening. This is where the water, soap, bleach and fabric softener enter the tub. To remove (and later on, reattach) the clamp holding this in place on the end of the duct make a tool from a three inch piece of 3/8 inch soft copper tubing by flattening one end somewhat, so that it can be slipped over the twisted ends of the clamp.



Twist the tube counterclockwise to open the wire clamp. Remove the clamp and pull the boot free from the duct.

5. Using both hands, grab onto the boot at the top of the opening to the tub and pull downward and toward you with slow steady pressure. As the boot is pulled free from the outer lip of the tub (at the top), the coiled spring that holds the boot from the groove

behind the lip around the opening to the front shell will become visible. You can either continue pulling on the boot until it comes off or you can hook the spring (with a piece of coat hanger fashioned into a hook) and pull it off and then pull the boot off separately.

Reinstalling or replacing the boot:

1. The boot has a lip that will have to be folded into the groove behind the lip on the front tub shell. To start, examine the boot and locate the groove in front of the lip that corresponds to the similar lip and tab on the tub shell.
2. Using some liquid dishwasher soap sparingly lubricate this groove on the boot to make it easier to slip onto the lip of the tub shell.



3. Once the groove in the boot is lubricated with soap, locate the arrow that is located on the top of the boot (located to the right of the extrusion that slips over the duct). This arrow must point up when the boot is installed.



4. With the boot in one hand and with the other hand spreading the lip and groove (on the boot near the arrow), force the lip into the groove behind the lip at the top of the opening on the tub shell.



5. With one hand holding the boot so it does not slip off, use the other hand to continue spreading the lip and groove of the boot further to the right. In this way you continue this action 360 degrees around until the boot is mounted onto the front tub.



6. Installing the spring. Included in the replacement boot kit is a set of three spacers.



These spacers are to be used to hold the spring in place in the groove on the outside perimeter of the boot. As it will take both hands to stretch this spring into place, these spacers will prevent the spring from popping out when you let go of it to use both hands to stretch it further around the boot. Begin by pushing the spring down into the groove just forward from where the boot contacts the front tub shell at about the 12 o'clock position. While holding the spring in place with one hand, use the other to tightly wedge the spacer above it, between the spring (in its groove) and the weight ring above it.



7. Working to the right, push the spring down into the groove. Once the spring has been installed about 90 degrees around the opening from the first spacer,

the spring will begin to get tight. Install another spacer at that point. Check the first spacer to make sure it stays in place.

8. Continue working your way around until you reach 180 degrees from the first spacer. Install the third spacer.
9. The spring will be extremely tight now.



Once you have gone more than half way around, the spring will be easier to roll into the rest of the groove. When you have the spring in place, make sure to remove the three spacers.

10. Replace the boot extrusion back onto the duct and pull it up over the ridge on the duct near the top of the opening.



Reinstall the clamp in such a way that the clamp

sits between the ridges on the extrusion and above the ridge on the duct. Snap the clamp closed with the copper tubing tool.

11. Before attaching the new boot to the front panel, clean the surface of the front panel with alcohol or household cleaner. Also clean the flat surface of the new boot that will be contacting the front panel. This step is needed to remove the mold release material used in the manufacturing process and will allow the adhesive to stick.
12. Remount the boot onto the front panel making sure the boot is not wrinkled. If large wrinkles exist, this may pool water in the boot and dribble onto the floor when the door is opened. If this is the case, pull it loose from the front panel and remount it slightly more clockwise or counter clockwise as needed.



13. Using the adhesive supplied in the kit, sparingly apply dots of glue under the edge of the boot.



Spot glue at the 12 o'clock, 1, 2, 3, 4, 5, 6, 7, 8 and 9 o'clock positions around the opening.

14. Caution the consumer to wait a two hours before using the washer to allow the adhesive enough time to dry.

Removing the water inlet duct:

1. Disconnect the washer from electrical supply.
2. Remove the top panel and detergent dispenser cavity.
3. Disconnect the boot from the duct.
4. Remove the two screws holding the duct to the front panel.

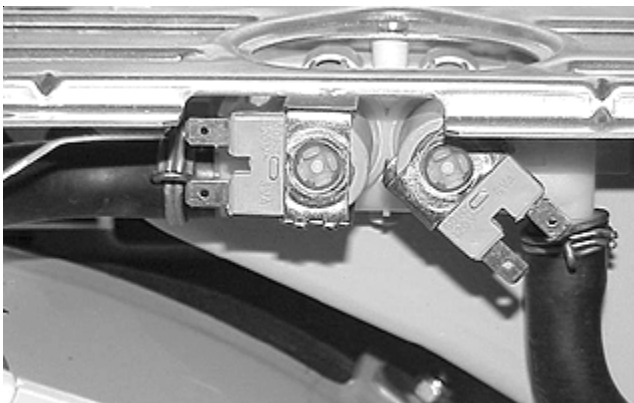


5. Pull the duct to the rear and disconnect the inlet hose.

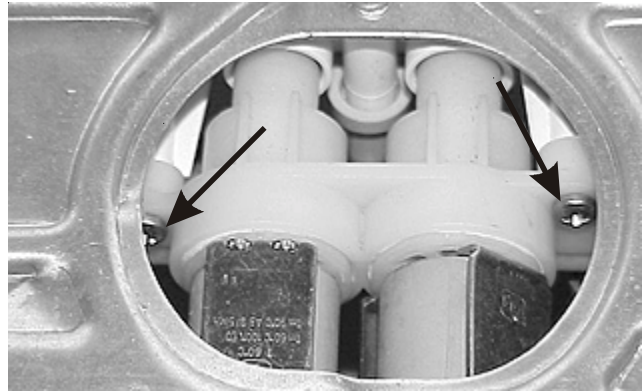
NOTE: Reglue boot as needed.

Removing the detergent dispenser solenoid assembly:

1. Disconnect the washer from electrical supply.
2. Remove the top panel from the washer.
3. Unplug the wires and disconnect the hoses from the dispenser solenoid assembly.

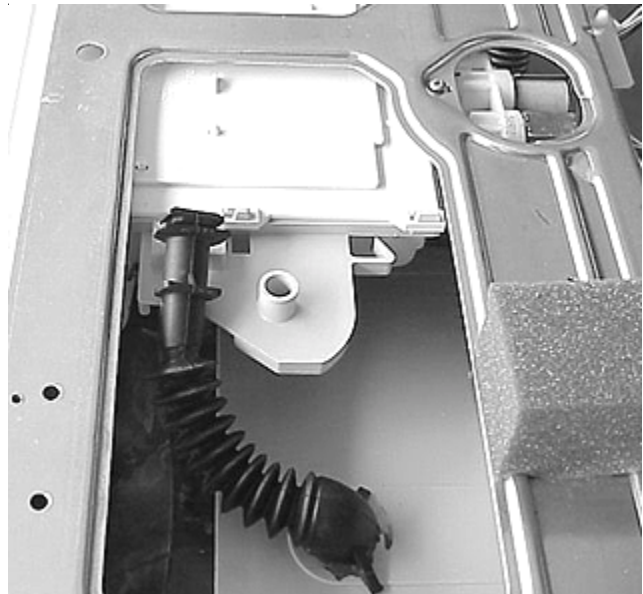


4. Remove the two screws holding the solenoid assembly to the detergent dispenser cavity and pull the assembly back.

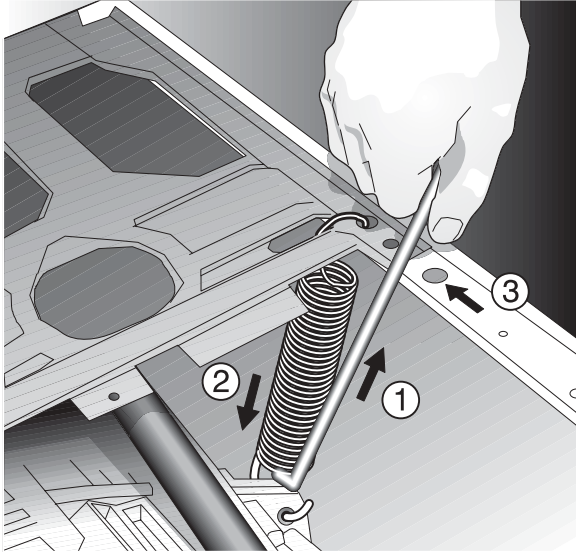


Removing the detergent cavity assembly:

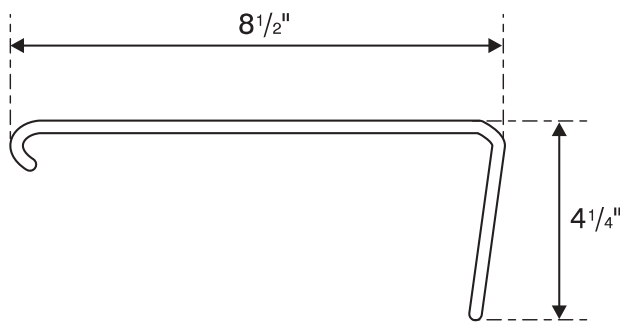
1. Disconnect the washer from electrical supply.
2. Remove the top panel.
3. Remove the console panel.
4. Disconnect the vent hose.



- Remove the suspension spring retainers and reinstall the rear screws without the spring retainer. This will hold the control mounting panel down when the springs are lifted. Unhook tub support springs and move them to the next large hole back on the side panel flange.



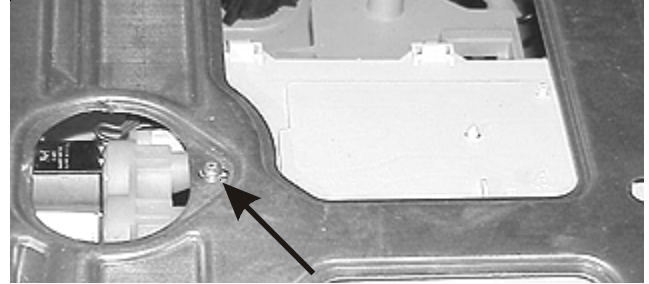
The springs may be removed by grasping the tub assembly on the lower tub reinforcement area and lifting (4:00 and 7:00 position approx.) while guiding the top end of the spring with the other hand to the new location. Or a simple tool may be bent from $\frac{1}{4}$ " round rod that will simplify this task. Use the tool to hook the bottom of the spring and lift to remove.



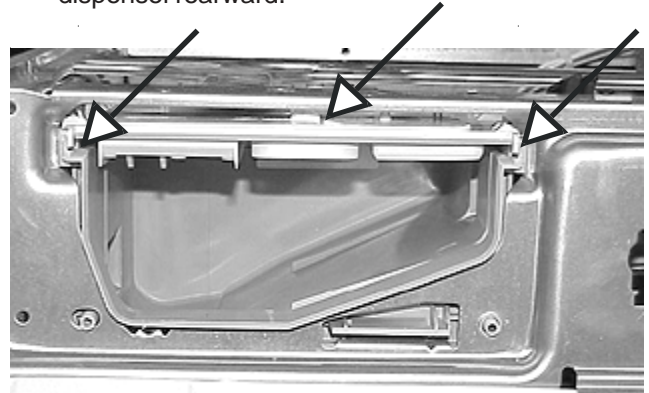
Spring Release Tool Bent From $\frac{1}{4}$ " Rod

- Remove the detergent dispenser solenoid assembly.

- Remove the one screw from dispenser assembly.

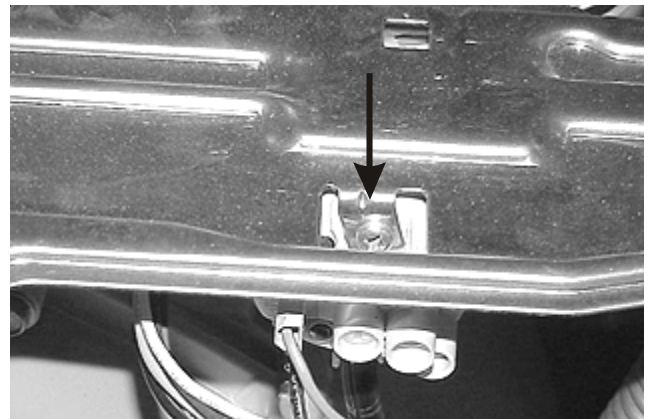


- Push to release catches on upper front corners and the center of dispenser assembly and push dispenser rearward.



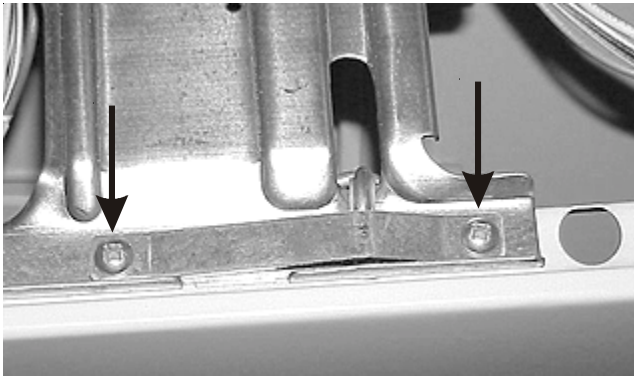
Removing the pressure switch:

- Disconnect the washer from electrical supply.
- Remove the top panel.
- Disconnect the wiring and the hose from the pressure switch.
- Remove the one screw holding pressure switch to the top brace.



Removing the suspension springs:

1. Disconnect the washer from electrical supply.
2. Remove the top panel.
3. Remove the two screws holding the suspension spring retainers to the control mounting panel.



4. Reinstall the two screws to hold the mounting plate down.
5. Detach the spring from the control mounting plate by grasping the tub assembly on the lower tub reinforcement area and lifting (4:00 and 7:00 position approx.) while guiding the top end of the spring with the other hand.
6. Rotate the spring to release it from the tub.

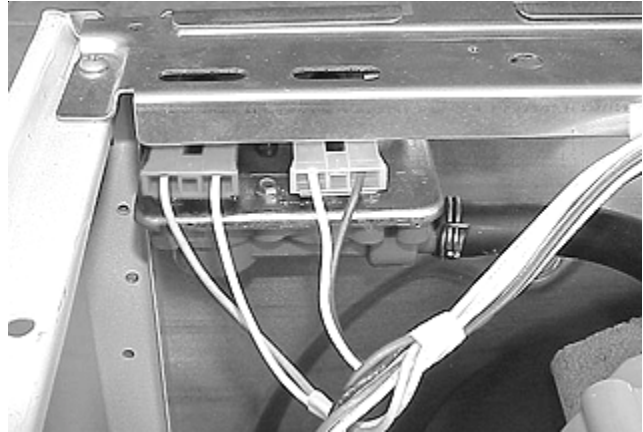
Removing the automatic temperature control sensor:

1. Disconnect the washer from electrical supply.
2. Remove the top panel.
3. Unplug the harness from the sensor and disconnect the hoses.

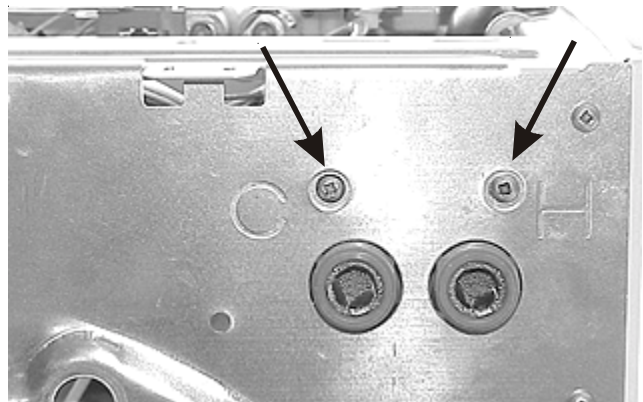


Removing the water inlet valve:

1. Disconnect the washer from electrical supply and turn off the water supply.
2. Remove the top panel.
3. Disconnect the two inlet hoses.
4. Unplug the wiring harness and disconnect the outlet hose.



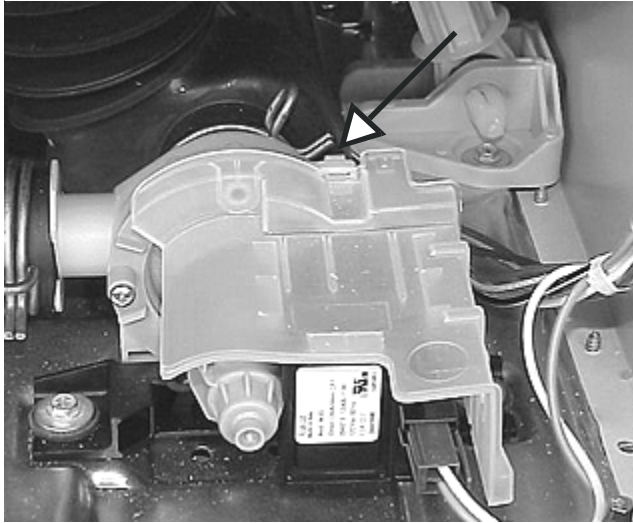
5. Remove the two screws holding the valve to the rear bar.



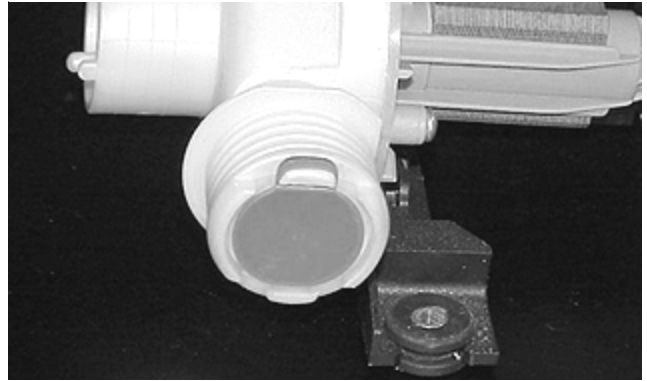
Removing the drain pump assembly:

1. Disconnect the washer from electrical supply.
2. Remove front access panel from washer.

3. Release the tab securing motor cover to pump and slide the cover back and off.

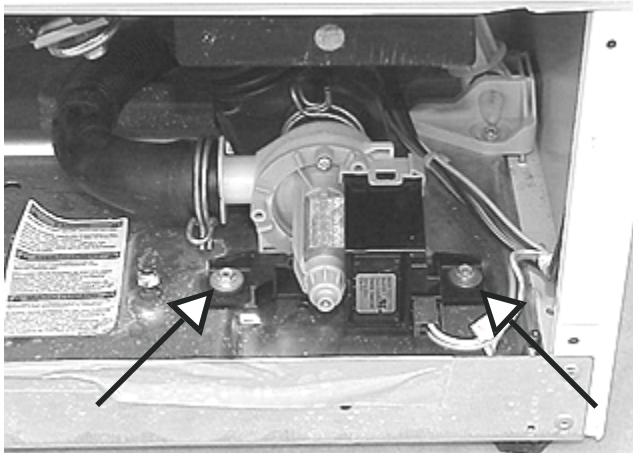
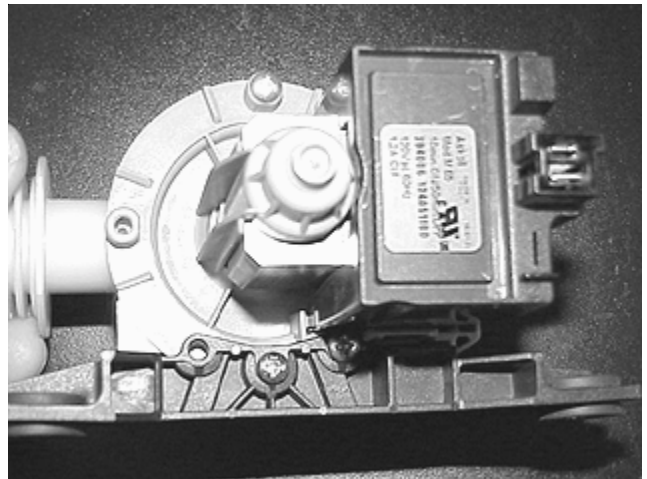


3. The check valve is located in the output connection of the pump. To remove the check valve lift it off its tab.



4. Disconnect electrical harness plug from pump motor.
5. Remove drain hose from drain and empty any remaining water in hose. Use a large pot or pan.
6. Disconnect the hoses from the pump.
7. Remove two 5/16" hex head screws securing the drain motor and pump assembly to cabinet base and lift the assembly out.

4. To remove the rear pump housing, remove three screws locking the housings together and pull the housings apart. (Do not twist.)



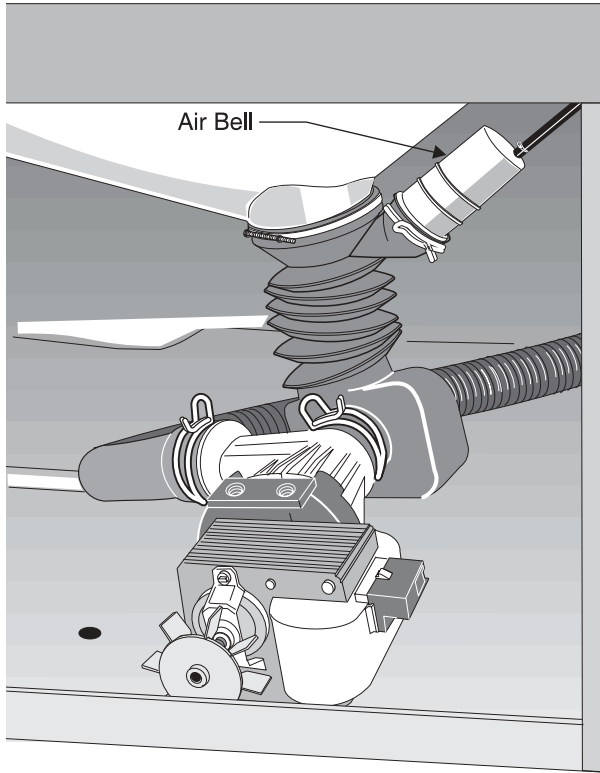
To remove the air bell:

1. Disconnect washer from electrical supply.
2. Remove the front service panel.
3. Remove drain hose from drain and empty any remaining water in hose. Use a large pot or pan.

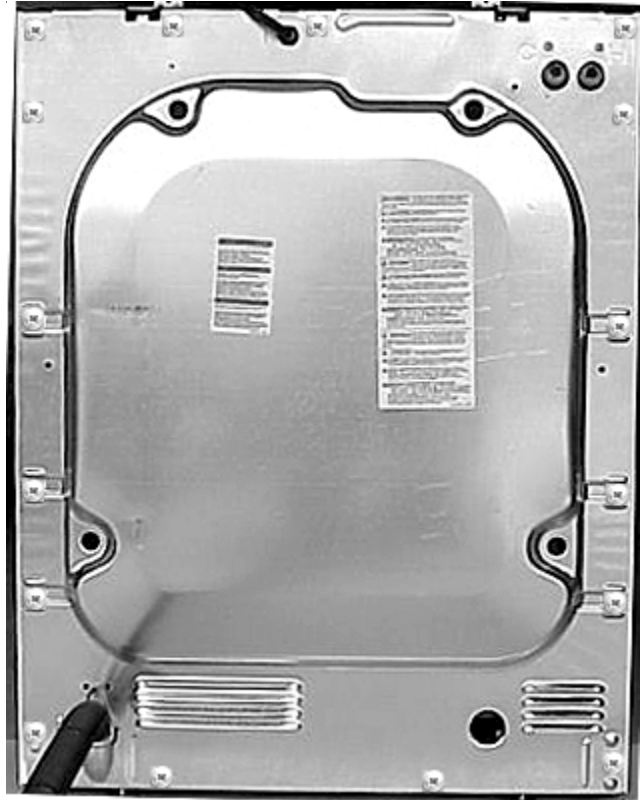
Disassembling the drain pump:

1. Disconnect the washer from electrical supply.
2. Remove the drain pump from the washer.

4. Remove clamp securing air bell to sump hose and remove connecting tube from air bell.



3. Remove the sixteen screws holding the back panel to the top brace, sides and bottom.



NOTE: Seal air connecting tube to air bell and air bell to sump hose using waterproof glue such as p/n 5364709100. DO NOT plug air connecting tube opening.

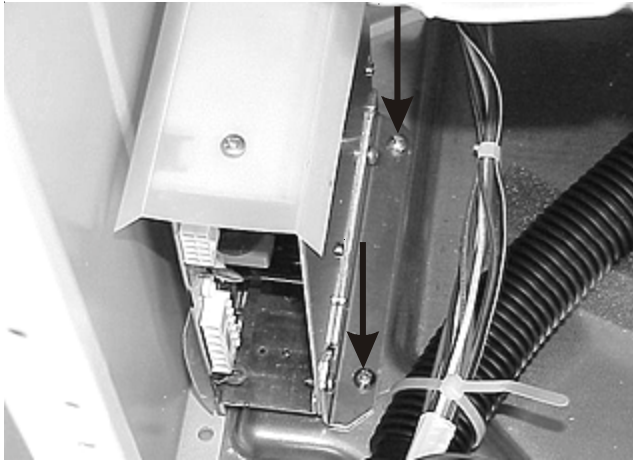
Removing the back service panel:

1. Disconnect the washer from electrical supply and turn off the water supply.
2. Disconnect the water inlet hoses and remove the top panel.

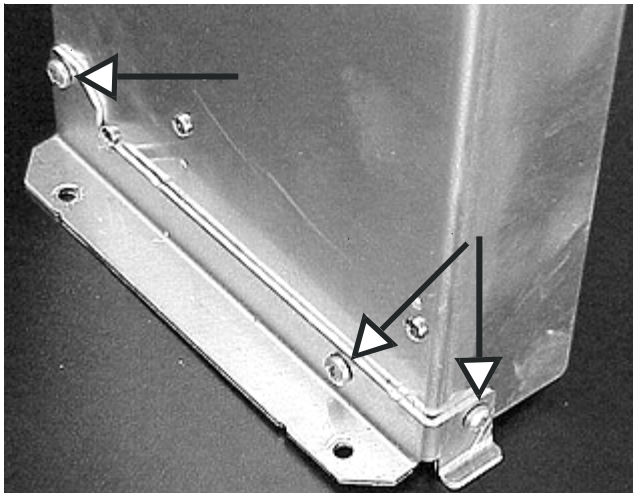
Removing the speed control board assembly:

1. Disconnect the washer from electrical supply and turn off the water supply.
2. Remove the rear service panel.

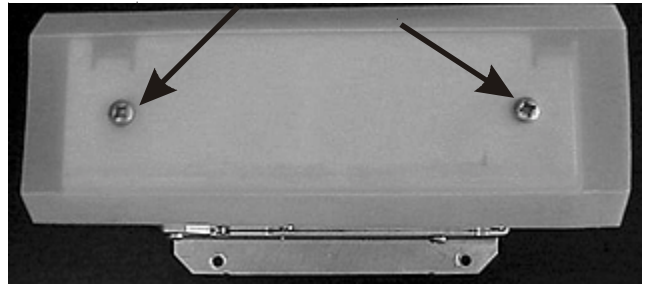
3. Unplug the two electrical plugs, remove the two screws holding the mounting bracket to the base and pull back and up to release the tab.



4. To remove the mounting bracket remove the three screws, two on the side and one in the front, holding the bracket to the assembly.



5. To remove the top plastic shield remove the two screws holding the shield to the speed control board assembly.

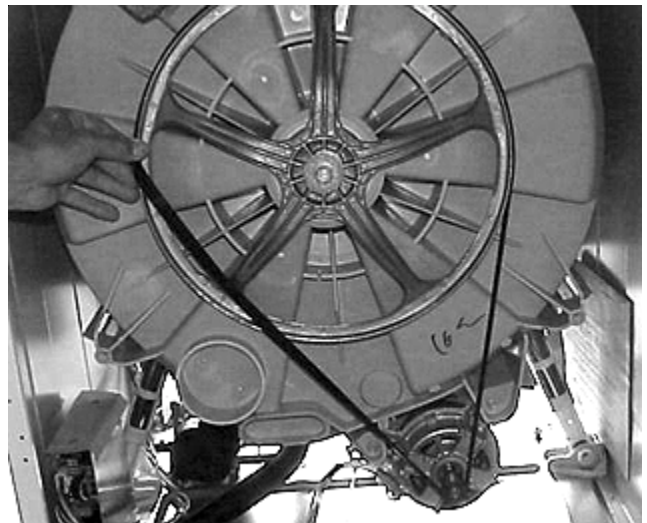


Drive belt:

The drive belt (6 rib flat Poly-V) is used to transmit power from the motor pulley to the tub. The belt is constructed of a material that stretches, which makes belt tension adjustments unnecessary.

To remove or replace the drive belt:

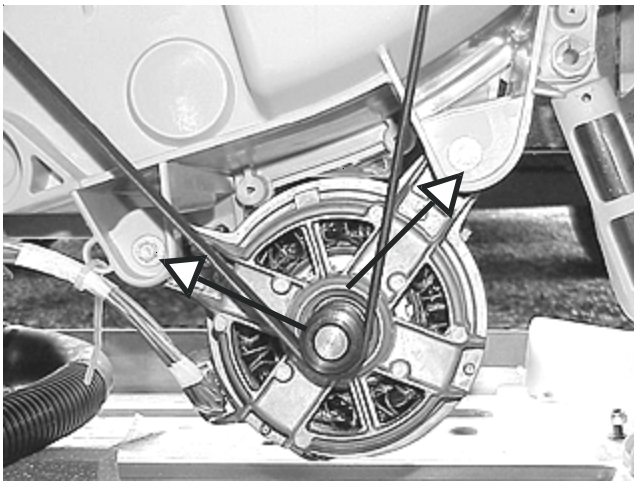
1. Disconnect washer from electrical supply.
2. Remove rear service panel.
3. Remove belt by turning tub drive pulley and rolling belt off pulley. The belt is elastic and is designed to "give" enough to remove and install in this manner.



4. Reverse procedure to reinstall, making sure that belt tracks in the center of the tub pulley. Adjust tracking, if required, by moving belt on motor pulley.

Removing the drive motor:

1. Disconnect washer from electrical supply.
2. Remove rear service panel.
3. Remove belt by turning tub drive pulley and rolling belt off pulley. The belt is elastic and is designed to "give" enough to remove and install in this manner.
4. Disconnect the wiring harness connector block.
5. Remove motor mounting bolts.

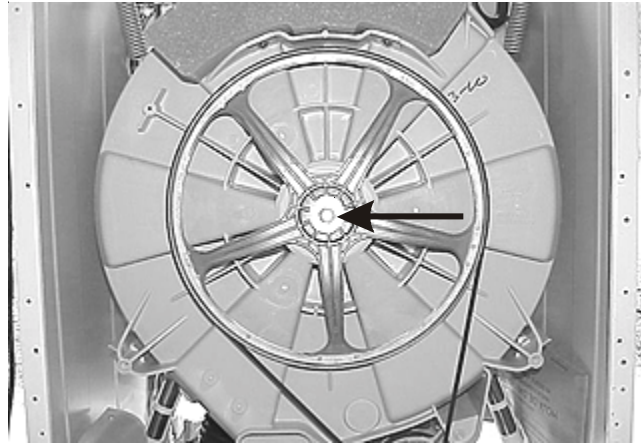


6. Slide motor to front while supporting to remove.
7. Reverse procedure to reinstall, making sure that belt tracks in the center of the large pulley. Adjust by moving belt on motor pulley if required.

Removing the large pulley:

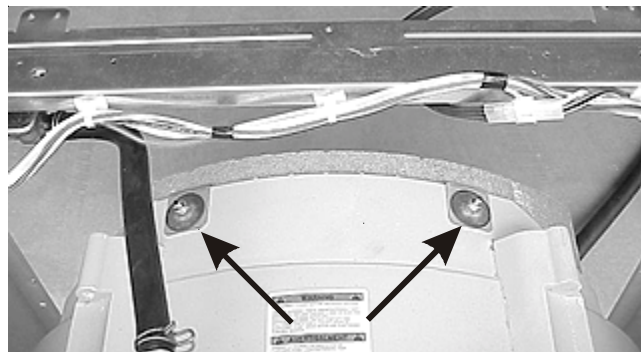
1. Disconnect the washer from electrical supply and turn off the water supply.
2. Remove the rear service panel and remove belt.

3. Using a 9/16" wrench Remove the bolt in the center of the pulley by holding the pulley and turning the bolt counter clockwise.



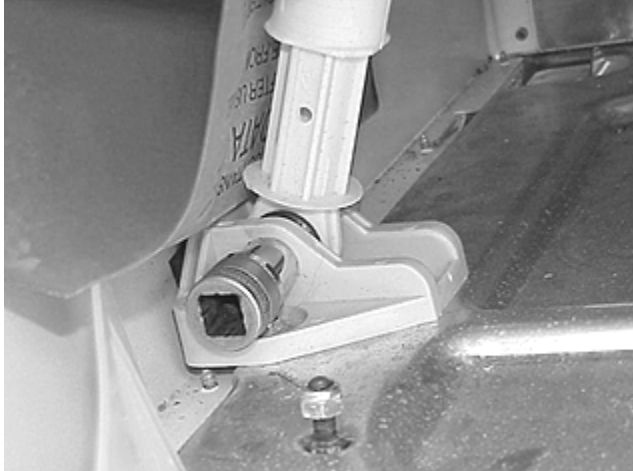
Removing the rear counter weight:

1. Disconnect the washer from electrical supply and turn off the water supply.
2. Remove the top panel and the rear service panel.
3. Using a 7/16" wrench remove the two bolts holding the weight to the back half of the outer tub.



Removing the air shock absorber:

1. Disconnect the washer from electrical supply and turn off the water supply.
2. Remove the front and the rear service panel.
3. Remove air shock securement pins by depressing locking tab while pulling pin to remove. This procedure is much easier if a deep 1/2", 6 point socket (or 13 millimeter, 6 point) is used to compress the locking tab of the plastic pin. Push the socket onto the tapered end of the pin as far as it will go to compress the locking tab.



4. Use pliers to grasp head of pin and pull to remove. As the pin is removed the socket will drop free.
5. When replacing the air shock make sure to position it with the bell end facing downward.
6. Lubricate the securement pins with Sil-Glide® before installing.

Removing the outer tub:

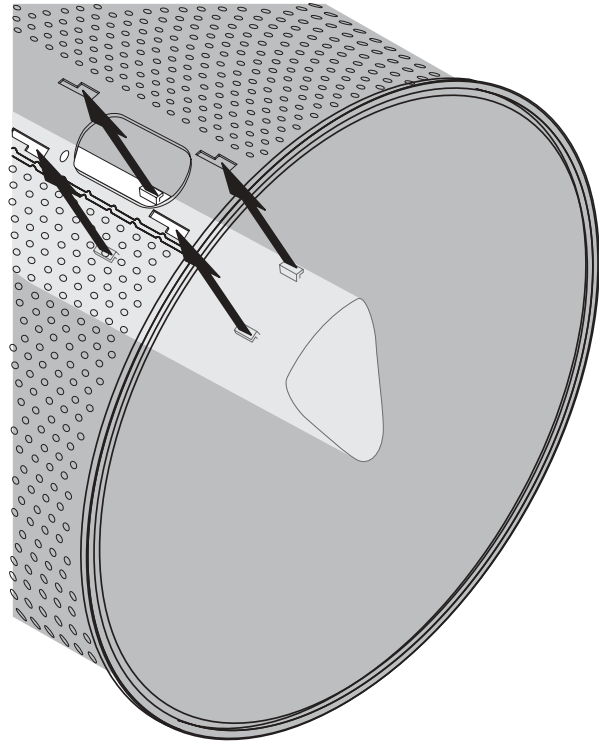
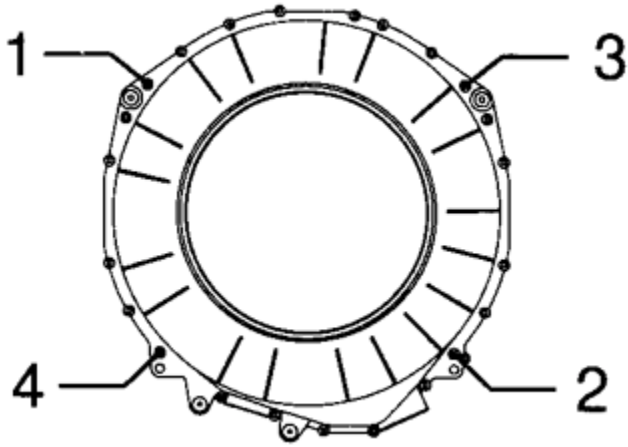
1. Disconnect the washer from electrical supply.
2. If dryer is stacked on washer, remove clothes dryer from top of washer.
3. Remove the top panel.
4. Shut off water supply and disconnect water supply hoses from water valve.
5. Remove rear access panel from washer.
6. Disconnect the motor wiring harness connector block. Remove wire tie to free harness from tub.
7. Remove pressure fill tube from water level control.
8. Remove the front access panel.
9. Loosen clamp securing sump hose from tub and remove bellows style hose from tub.
10. Remove wire spring clamp from air bell.
11. Remove the two air shock upper securement pins.
12. Pull upper end of air shocks free from tub and position shocks upright away from tub for clearance.

13. Protect floor and carefully lay washer on its back.
14. Remove the vent hose
15. Pull outer lip of boot from flange on front panel and disconnect the boot from the fill tube.
16. Remove one screw of the suspension spring retaining strap and loosen the other one. Pivot strap out of the way to permit access to spring. Remove suspension springs from washer cabinet and then from outer tub.
17. Carefully lift cabinet to clear tub assembly and set aside.

Removing the spin basket and rear tub half:

1. Disconnect the washer from electrical supply.
2. Remove outer tub assembly.
3. Remove the screws (23) securing the outer tub halves together. Rotate tub assembly so that front opening is face down.
4. Remove belt by turning tub drive pulley and rolling belt off pulley. The belt is elastic and is designed to "give" enough to remove and install in this manner.
5. Remove large pulley from shaft.
6. Remove the drive motor.
7. Separate outer tub halves. **CAUTION: Use caution in handling the spin basket. The outer surface is very sharp!** The replacement rear outer tub half comes with new bearings, water seal, and tub seal between halves already installed.

- Reverse procedure to reassemble using illustration below to show outer tub screw tightening sequence.



Removing the front counter weights:

- Remove the outer tub.
- Using a 7/16" wrench remove the bolts holding the weight to the front half of the outer tub.

Removing the spin basket vanes:

There are three plastic vanes mounted to the spin basket to aid in the washing action during the wash cycle. Two of the vanes are secured by a screw and a tab bent into place on the basket. To remove these vanes the spin basket has to be removed. The third vane is secured only by a single screw and may be removed through the door opening.

- Identify the vane that is located on the seam of the spin basket and remove the mounting screw.
- Slide vane forward toward door opening until it stops.
- Pull vane upwards to disengage tabs on vane from slots in spin basket.

- Reverse procedure to replace. If screw hole on spin basket is stripped, drive screw into other hole on vane to secure.

