

SERVICEMANUAL

DISHWASHERS

DW20.1, DW20.2, DW20.3,
DW20.4, DW20.5, DW20.C



Contents

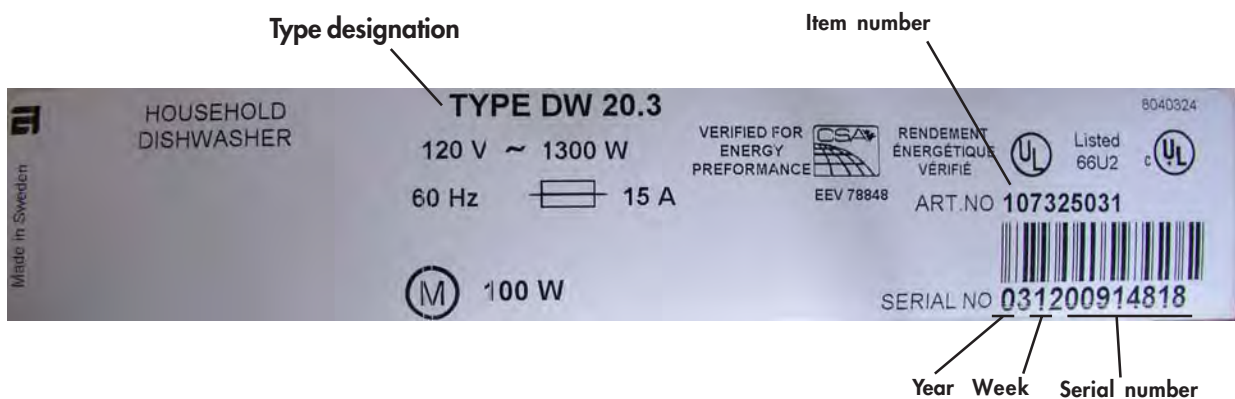
1. Introduction	5
2. Technical data	8
2.1 Technical information	8
2.2 Components and measured values	9
2.3 Connection diagram	11
2.4 Functional description of components	12
3. Installation	15
4. Settings	19
4.1 Programme	19
4.2 Time display	20
4.3 Options	20
4.4 Water level DW20	31
5. Service menu	32
5.1 Activation of service menu	32
5.2 Programme flow description	36
6. Troubleshooting	40
6.1 Most common faults	40
6.2 Fault indication	42
6.3 Fault codes	43
7. Tools	44
7.1 Tools	44
7.2 Special tools	44
Register	45

1. Introduction

In your hand you are holding ASKO's Service Manual for the new generation of dishwashers.

The dishwashers in the DW20 range are available in four different basic models with the type designations DW20.1, DW20.2, DW20.3, DW20.4, DW20.5 and DW20.C. Presented on the following page are the different panels available for each type, which lets you readily identify the machine type. The different variants have different designations from market to market. The type designation is most important when you need to identify a particular type of machine.

You can find this on the machine rating plate positioned on the right-hand side of the inner part of the door.



It must be easy to carry out servicing on dishwashers. It is important for you, as a service technician, to benefit from the conditions necessary to enable you to work in an effective and satisfactory fashion. We hope that this Service Manual will be a useful tool in your daily work.

Asko Cylinda AB/After Sales
 Box 344
 SE-532 24 Skara
 Sweden

DW20.1

DW20.1 is available in three variants, either with none, one or with two options. All have four set programs and operating controls on the front of the panel.



DW20.2

DW20.2 is a control unit with a large display on the front of the panel. It has six set programs and none or three or five options.



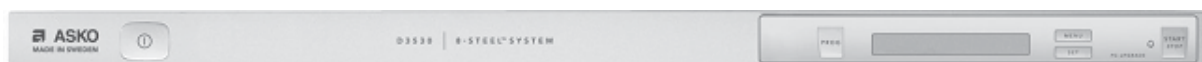
DW20.3

The buttons are on the top side of the control unit in the DW20.3. The unit has six set programs and is available in two models - with three or five options.



DW20.4

DW20.4 is a control unit with ten set programs, a number of different options and with a single display (LCD) on the top side of the panel.



DW20.5

DW20.5 is a control module with display on the front of the panel. It has five fixed programs and between three and five options.



DW20.C

DW20.C is a control unit with a large display on the front of the panel. It has six set programmes and none or three or five options.



The DW20.3 and DW20.4 control units are used both for fully integrated and standard models. The other control units are used only on standard models.

2. Technical data

2.1 Technical information

Height:	32.2–34.2” , (33.8-34.2”)
Width:	23.4”
Depth:	23.6”
Weight:	92 lb/99 lb with water softener
Capacity*:	12 place settings
Water pressure:	0.03–1.0 MPa (0.3–10 kp/cm ²)
Connection:	1-phase, 120 V, 60 Hz 15 A**
Max connection power:	1 300 W**

*According to standard AHAM DW-1-1992

**See rating plate

Energy marking

US:	DOE/FTC
Canada:	NRC
Wash program:	Normal wash 130°F normal dry
Program time:	125 minutes low spec., 110 minutes high spec.
Connection:	Cold water

Test method for noise measurement: IEC-704-1

2.2 Components and measured values

Indicated resistance values apply at room temperature (ca. 20°C/68°F)

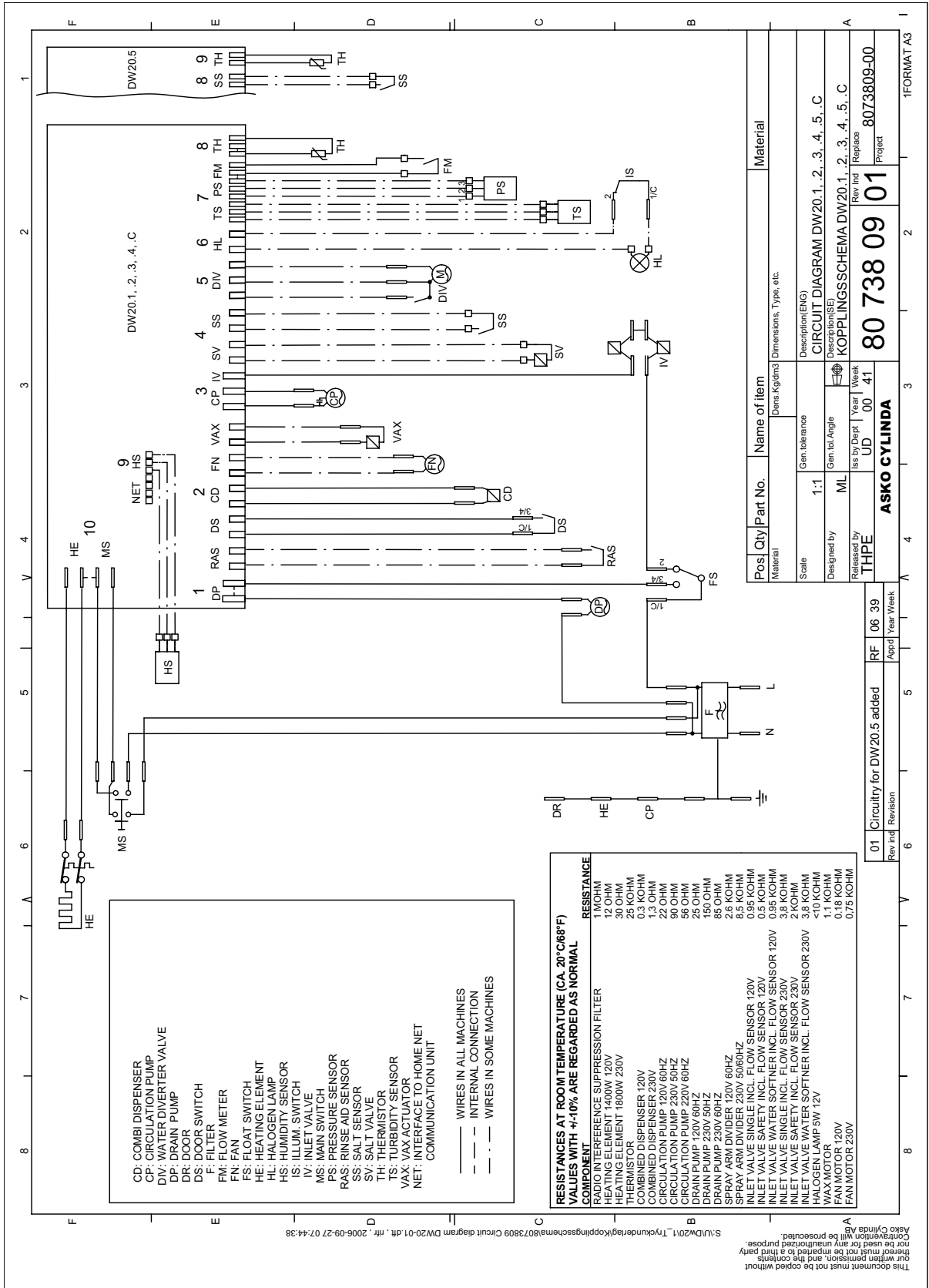
Values within $\pm 10\%$ are regarded as normal

Item No.	Component	Measured value	Position
8073779	Radio interference suppression filter	680 kohm	
8073780,81	Radio interference suppression filter	1 Mohm	
8073784	Heating element 1800 W 230 V	30 ohm	
8073785	Heating element 1200 W 120 V	12 ohm	
8073788	Thermistor	25 kohm	
8073801,02	Combined dispenser 230 V	1.3 kohm	
8073803,04	Combined dispenser 120 V	0.3 kohm	
8073811	Circulation pump 200-240 V 50 HZ	90 ohm	
8073812	Circulation pump 200-220 V 60 HZ	56 ohm	
8073813	Circulation pump 120 V 60 HZ	22 ohm	
8073816	Drain pump 200-240 V 50 HZ, 16 l/m	150 ohm	
8073817	Drain pump 200-220 V 60 HZ, 16 l/m	85 ohm	
8073818	Drain pump 120V 60 HZ, 16 l/m	25 ohm	
8073821	Spray arm divider 200-240 V 50/60 HZ	8,5 kohm	2-3
8073822	Spray arm divider 120 V 60 HZ	2.6 kohm	2-3
8073824	Inlet valve single incl. flow sensor 200-240 V, 4 l/m	3.8 kohm	coil
8073825	Inlet valve single incl. flow sensor 120 V, 4 l/m	0.95 kohm	"
8073826	Inlet valve safety incl. flow sensor 200-240 V, 4 l/m	2 kohm	"
8073827	Inlet valve safety incl. flow sensor 120 V, 4 l/m	0.5 kohm	"
8074337	Inlet valve water soft incl. flow sensor 200-240 V, 4 l/m	3.8 kohm	"
8074338	Inlet valve water softener incl. flow sensor 120 V, 4 l/m	0.95 kohm	"
8073830	Halogen lamp 5 W/12 V	<10 kohm	
8052778	Wax motor	1.1 kohm	
8073847	Fan motor 230 V	0.75 kohm	
8073848	Fan motor 120 V	0.18 kohm	
8081321	Heavy soil sensor		

TECHNICAL DATA

Item No.	Component	Item No.
8801260	Control unit Compl., DW20.1	EU
8801285	Control unit Compl., DW20.1	AU
8801286	Control unit Compl., DW20.1	USA
8801261	Control unit Compl., DW20.2	EU
8801279	Control unit Compl., DW20.2	AU
8801280	Control unit Compl., DW20.2	USA
8801272	Control unit Compl., DW20.3	EU
8801281	Control unit Compl., DW20.3	AU
8801282	Control unit Compl., DW20.3	USA
8801273	Control unit Compl., DW20.4	EU
8801283	Control unit Compl., DW20.4	AU
8801284	Control unit Compl., DW20.4	USA
8801320	Control unit Compl., DW20.5	EU
8801340	Control unit Compl., DW20.5	USA
8801341	Control unit Compl., DW20.5	AU
8801249	Control unit Compl., DW20.C	EU/AU/USA

2.3 Connection diagram



2.4 Functional description of components

A description of the function and specification of the different electrical components is given here. Certain components are only included in highly specified machines or on individual markets.

Inlet valve/Flow valve

Available in single, safety and water softener valve models.

A filter which traps particles is located in the valve. Situated after this is a flow restrictor, which maximizes the flow to 4 l/min. The valve opens at water pressures exceeding 0.3 bar and gives full flow at ca. 1 bar. The flow meter is situated on the valve outlet, where it is secured with a clip.

Flow sensor

The flow sensor is used to regulate the water intake so that the correct water volume is admitted regardless of the water pressure. There is also the possibility of switching the machine over to time-controlled water intake.

The flow sensor consists of a rotor containing a magnet and a counterweight, which are caused to rotate by water flowing through. Situated externally on the flow sensor housing is a sensor, a so-called reed switch, of which the contact is closed every time the magnet passes. The number of pulses from the sensor is proportional to the volume of water flowing through.

Output signal: 199 pulses/litre

Safety valve

The safety valve consists of two mutually independent valve seats, which are operated by two draw magnets. The valve seats are connected in series. This provides double reliability. The draw magnets are also electrically connected in series, which means that the magnet's rated voltage is half the mains voltage (e.g. 120 V valve = 2 x 60 V coils)

Single valve

The single valve consists of a draw magnet and a valve seat.

Water softener valve

The water softener valve consists of two parallel-connected valve seats, each with a draw magnet. One part is used for regeneration of the water softener (salt intake). An additional flow restrictor, which maximizes the flow to 0.5 l/minute, is located in the outlet from the water softener valve. The other part is used for the regular water intake, with the flow sensor connected after it.

Circulation pump

The circulation pump consists of an asynchronous motor, a pump part and a capacitor.

Spray arm divider

Certain machines are equipped with a spray arm divider. The spray arm divider consists of a synchronous motor that via a set of gears rotate a valve-disc. A damper distributes the water from the circulation pump to the upper and lower spray arms in a different quantity and at a different pressure. The motor/gearbox also causes a cam with four different step times to rotate. A contact detects the cam (step time) and provides the control unit with feedback about the current position when setting the desired spray arm status.

Note that the spray arms never rotate simultaneously. The following spray arm statuses are encountered:

- Upper spray arm half or full pressure
- Lower spray arm half or full pressure

Depending on the program, items being washed and options, the spray arms will be regulated with a varying interval and spray pressure.

Machines with no spray arm divider have a water distributor instead. This directs the water to both spray arms. The spray arms always rotate simultaneously.

Heating element

The heating element is of the through-flow type and is situated between the sump and the suction sleeve of the circulation pump. It consists of a pipe with a heating coil. On one side of the heating element coil is an overheating safety device with a breaking temperature of 206°F and with automatic resetting. On the other side is a fusible cut-out rated at 402°F.

Drain pump

The drain pump consists of a synchronous motor with an output of ca. 30 W and a pump part. The direction of rotation is random, which makes it partially self-cleaning.

Fan

The fan evacuates the moist air from the machine during the program's drying phase. The fan system consists of a fan motor which drives a double-sided impeller. Dry air is sucked in from the opening on one side of the impeller. Humid air flows in on the other side of the impeller, when a wax motor opens a valve. This takes place with a certain delay. Dry and moist air are mixed in a channel leading to the under part of the opening, where it is discharged.

Detergent and surfactant dispenser

The detergent and surfactant dispenser is equipped with a draw magnet which, on first actuation, dispenses detergent and, on second actuation, dispenses surfactant. The system is reset when the dishwasher door is opened. Inside the dispenser is an adjustable volume chamber for setting the desired quantity of surfactant.

The surfactant level can be checked in an optical sight gauge located on the upper side of the dispenser.

Certain models have a sensor for sensing the surfactant level, a so-called reed switch, mounted on the dispenser. This is indicated on the panel.

Main switch

The main switch is a 2-pole unit and switches off phase and neutral. The filter, overflow cut-out, drain pump and inlet valve are not disconnected, however, when the main switch shuts off the power supply.

Radio interference suppressor

The radio interference suppressor ensures that the machine does not interfere with its environment and protects the machine from external incoming interference.

Door switch

A microswitch senses when the door has been opened. There is a pause in the program, and the power supply to certain components (motor, valves, etc.) is shut off. The program continues from the point at which it was interrupted when the door is closed.

Overflow cut-out

The overflow cut-out consists of a float which actuates a microswitch. This closes the inlet valve electrically and starts the drain pump. The cut-out function operates regardless of whether the main switch is on or off.

Lighting

The lighting consists of a 5 W/12 V halogen lamp, which is powered from the control unit via a microswitch. It lights the lamp when the door has been opened to an angle of more than 5 degrees. The lamp is dimmed when it is lit in order to reduce the starting current and to extend the service life of the lamp. There are protective components on the control unit which limit the power supply to the lamp in the event of a short-circuit, or if a replacement lamp of excessively high power is fitted. The lamp can be replaced from inside the washing compartment.

Wiring

The machine is provided with coded contacts to prevent faulty connection. The wiring conforms to the standard for Rast 2.5 and 5.

Water softener

The ion exchanger mass is regenerated by opening the salt valve and admitting salt-saturated water into the ion exchanger during the main wash. The ion exchanger is flushed through at the end of the main wash.

The quantity of salt, the interval (number of programs) between the regenerations and the pre-wash volume are determined by the set water hardness and the programs that are used. The higher the set water hardness and program length, the greater the quantity of salt, the more frequent the regeneration and the higher the pre-wash volume.

Certain models have a sensor, a so-called reed switch, which senses when the salt has run out. Other models have an optical indicator in the salt filler cover.

Airbreak

Located on the side of the machine is an anti-siphonage device which prevents dirty water from being sucked back into the water mains, for example in the event of a vacuum in the water mains.

Thermistor

The thermistor is situated on the inner door and checks the water temperature so that the set temperature is reached. If the thermistor is short-circuited or if it becomes detached from the circuit board, the element is switched off.

Pressure sensor

The pressure sensor is connected to the pressure chamber in the sump. It measures the pressure corresponding to the water level in the machine. In the event of an excessively high water level in the machine (continuously under 5 sec), the drain pump starts and other components are switched off. When right level is reached the program will continue. If the level is not reached within one minute the program stops and will show a faulty indication.

Turbidity sensor

Machines with an automatic program (Auto wash,) have a turbidity sensor which senses the turbidity of the water. The sensor consists of an LED and a phototransistor. The wash process water is present between these. The smaller the quantity of light reaching the phototransistor, the more turbid the water. The sensor is calibrated in the automatic program's final rinse. At different times during the automatic program, the turbidity sensor's output signal provides the basis for how the wash program will proceed (with/without prewash, temperature, cycle time, number of rinses, etc.).

In the event of a fault in the turbidity sensor, the machine assumes "high turbidity", which gives a long cycle time with prewash and with extra rinses, etc.

The turbidity sensor is situated on the front edge of the sump.

Humidity sensor

The humidity sensor is situated in the fan housing. It is of the capacitive type and measures the relative humidity. The humidity sensor measures the ambient humidity before the start of the drying process. The drying process then continues until the humidity sensor senses a level immediately above the ambient humidity. (Min. time 30 minutes, max. time 70 minutes).

3. Installation

Recommended position for the dishwasher

The dishwasher can be installed as a built-in, fully freestanding or half freestanding machine.

WARNING!



Connection to electricity, water and drains must be carried out by a person with competence within the respective area.

A. Built-in

The dishwasher can be built in under a worktop with a working height of 32.2- 34.2" (33.8-34.2"). The width dimension must be at least 23.6" (see Figure 1).

Built-in installation

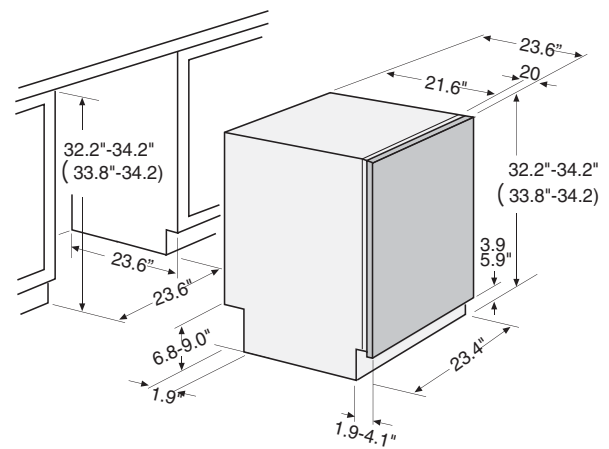


Figure 1.

Connection to water

There must always be a stopcock in the supply line. The stopcock must be positioned above the sink or on the front edge of the sink unit.

The inlet pipe has a union with a 3/8" internal thread

When installation is complete, open the stopcock, leave the system under pressure for a time and check that all connections are tight.

Connection to electricity

A machine equipped with a flexible cord and a plug must be connected to an earthed electrical socket.

Technical data

See rating plate on the right-hand side of the door.

WARNING!



The flexible cord must be disconnected or the electrical socket must be dead when working on the machine!

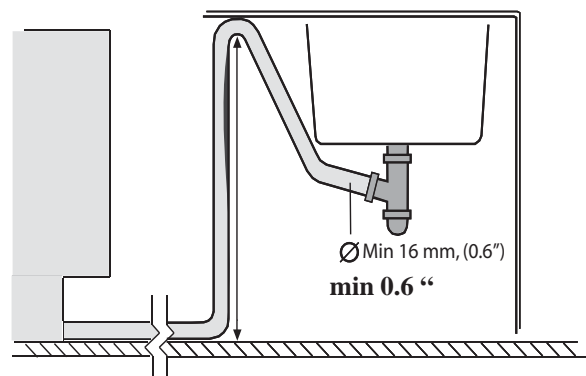
Connection to drainage

When the drain hose is routed to a connection nipple at the sink's water trap, note that the hose must be fastened level with the underside of the sink unit – otherwise the dishwater from the sink can run down into the dishwasher. The drain hose is threaded onto a cone-shaped connecting pipe at the sink unit's water trap. The cone-shaped pipe must be cut to an internal diameter of at least 0.6". For other alternative connections, see illustrations 2 and 3.

The drain hose may be lengthened by a maximum of 118" (the total length of the drain hose may not exceed 177"). Any connections and connecting pipes must have an internal diameter of at least 0.6". However, the drain hose should ideally be replaced with a new hose without joins.

No part of the drain hose may be more than 37.4" above the bottom of the machine. The hose must not be routed directly to the floor drain or similar. In such cases, the hose can act as a siphon and empty the dishwasher.

The hose must always discharge at least 13.8" above the bottom of the machine.



Adjustment of machine with three or four feet

1. Begin by measuring the height from the floor to the lower edge of the worktop.
2. Fit the sliding feet to the machine (see Figure 8).
3. Measure the height from the floor to the top edge of the machine.
4. Adjust all the feet by screwing them clockwise to raise or anticlockwise to lower.
5. Check that the height of the machine corresponds to the height from the floor to the under side of the worktop. Tighten the locking nuts on the rear feet.
6. Slide the machine into place.
7. Adjust the front feet accurately (the machine must not be inclined by more than 5 mm) and tighten the locking nuts.

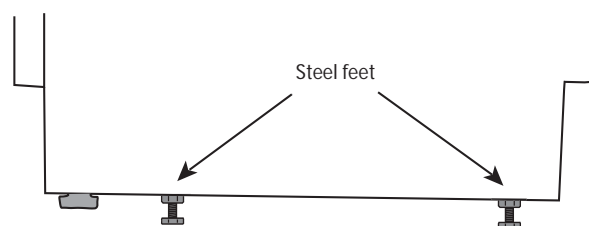


Figure 6.

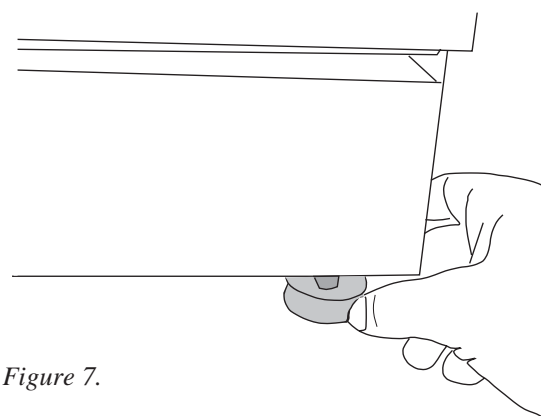


Figure 7.

Adjustment of machine with adjustable foot

1. Begin by measuring the height from the floor to the lower edge of the worktop.
2. Fit the sliding feet to the machine (see Figure 8).
3. Measure the height from the floor to the top edge of the machine.
4. Incline the machine forwards slightly and adjust the rear foot roughly by screwing the adjuster screw on the front clockwise to raise or anticlockwise to lower (see Figure 9). Use a broad-bladed screwdriver or a screwdriver with a hexagonal grip.
5. Adjust the front feet by rotating them clockwise to raise or anticlockwise to lower.
6. Check that the height of the machine corresponds to the height from the floor to the under side of the worktop.
7. Slide the machine into place.
8. Adjust the feet accurately (the machine must not be inclined by more than 5 mm) and tighten the locking nuts on the front feet.

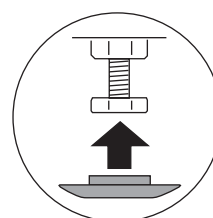


Figure 8.

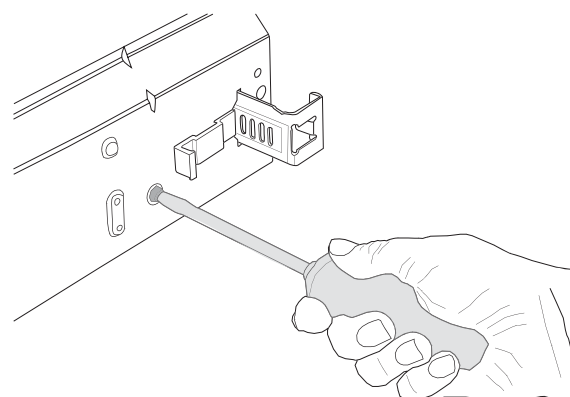


Figure 9.

To prevent kinking, pull on the drain hose and connection pipe (see Figure 10).

Adjustment of plinth (only for models with a kick-plate as an accessory)

The machine has two kick-plates.

INSTALLATION

- Slide the machine into place.
- Adjust the feet accurately (the machine must not be inclined by more than five mm) and tighten the locking nuts on the front feet.

To prevent kinking, pull on the drain hose and connection pipe (see Figure 8).

Adjustment of plinth (only for models with a kick-plate as an accessory)

The machine has two kick-plates.

Use the higher plate if the machine will be 33.4-34.2" high and the plinth depth can be varied between 1.7- 4.1". Use the lower plate if the machine will be 32.2- 33.2" high.

Secure the insulating mat supplied to the kick-plate.

Adjustment of right plinth depth

- Move the grey hooks towards one another and pull out the holders as far as required. Push in the hooks so that they lock the holders securely (see Figure 9).
- Hang the kick-plate on the holders by introducing it into the grooves.

Fitting fixed kick-plate

The machine is delivered with:

- A height adjustable kick-plate.
 - Two screws.
- (see Figure 10)

Screw the machine in place

If the machine is screwed on the sides, cover the screw holes with the plastic plugs supplied. Check after securing that the front feet are in contact with the floor (see Figure 11).

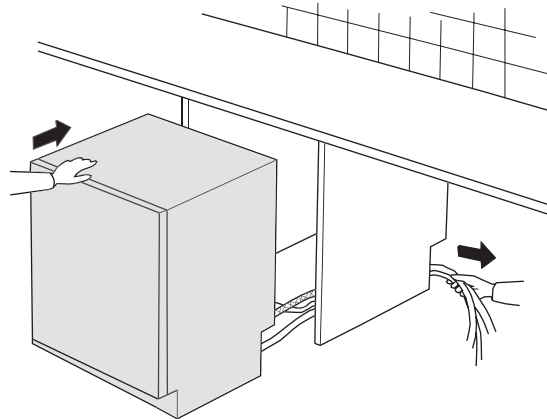


Figure 8.

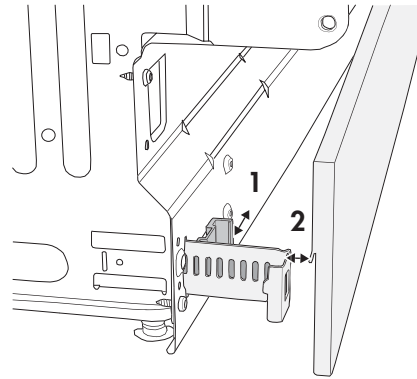


Figure 9.

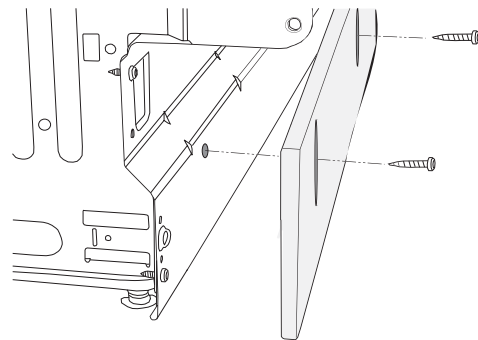


Figure 10.

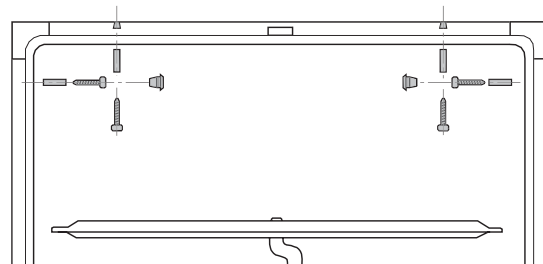


Figure 11.

4. Settings

4.1 Program

Certain programs are not included in all machines.

Intensive/ Pots & Pans (Viking)

Prewash (105°F), prewash (cold), main wash (basic temperature 140°F), pre-rinse, two rinses, final rinse (hot-temperature depending on drying selection, with/without fan etc.), drying.

Heavy wash

Basic temperature 130°F in main wash, otherwise according to Intensive wash.

Normal wash

Main wash (incl. pre-wash, basic temperature 149°F), pre-rinse, rinse, final rinse (hot), drying. In certain markets a cold prewash is added.

Auto wash

The washing process is adapted automatically according to the actual load, i.e. with/without prewash, temperature and cycle time in main wash, number of rinses, etc. In machines with a humidity sensor, the drying process is also controlled to give an optimal result.

Mixed wash

Main wash (incl. pre-wash, basic temperature 130°F), pre-rinse, rinse, final rinse (hot), drying. Program adapted for lightly soiled/fragile items to be washed in the upper basket and heavily soiled/coarse items to be washed in the lower basket. The spray arm divider directs a larger proportion of the water through the lower spray arm, with a high spray pressure in the lower spray arm, and a low pressure in the upper spray arm.

Upper basket wash

Main wash (including pre-wash, basic temperature 130°F), rinse (cold), final rinse (hot), drying. Items to be washed are placed only in the upper basket. Most of the process water is directed by the spray arm divider to the upper spray arm.

Lower basket wash

Main wash (incl. pre-soak, basic temperature 130°F), rinse (cold), final rinse (hot), drying. Items to be washed are placed only in the lower basket. Most of the process water is directed by the spray arm divider to the lower spray arm.

Delicate wash

Main wash (incl. pre-soak, basic temperature 120°F), rinse (cold), final rinse (hot), drying. The process water is directed by the spray arm divider with a high proportion of low spray pressure.

Quick wash

Main wash (basic temperature 85°F), rinse (cold), final rinse (cold for without drying).

Rinse & Dry

One final rinse (120°F), drying.

Pots & Pans (DUO)

Prewash (cold), prewash (85°F), prewash, main wash 150°F, pre-rinse, rinse (cold), final rinse (hot), drying.

Rinse & Hold

One rinse (cold).

Sani A 85°C (DW20.C)

An intensive dishwashing program for heavily soiled dishes. During the final rinse, the machine maintains a temperature of 85°C for 6 minutes for extra-high hygiene.

Sani B 80°C (DW20.C)

The same as Sani A but with a final rinse temperature of 80°C.

4.2 Time display

DW20.2, DW20.4, DW20.5, DW20.C: For program selection, the display shows the time taken by the program on the previous occasion. After starting the program, the time is counted down in stages of one minute (no conversion while the program is running). A new time is not stored if a fault has occurred while the program is running.

DW20.2, DW20.3, DW20.C: The start lamp flash if the door is opened during the program or is open when the program is started.

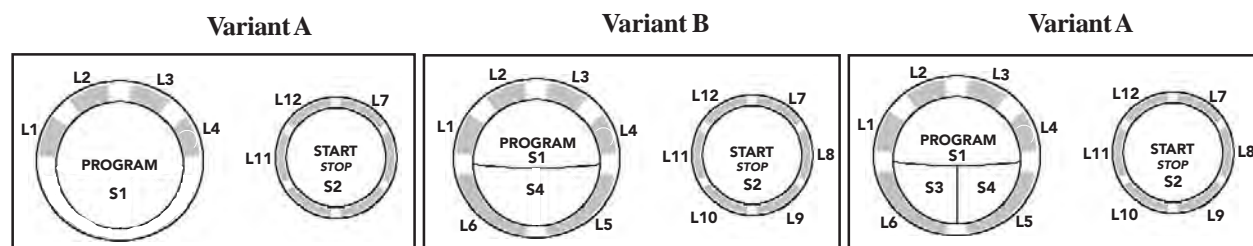
DW20.1: The program sequence lamps flash if the door is opened during the program or is open when the program is started.

DW20.5: The time display flashes if the door is opened during the program or is open when the program is started.

4.3 Options

The machine stores the selected settings when the start button is pressed, and these continue to apply until new settings are made. A delayed start and the upper/lower/mixed basket function are not stored.

DW20.1



Panel type DW20.1, L = LED, S = Push-button

Temperature selection S3

L6 lights when High temperature is selected

Drying selection S4

Long and Normal drying (Quick wash: Long and No drying).

(L5 lights when long/extra drying is selected)

Variant setting

If the control unit is replaced, the machine will automatically be in the variant setting menu when the power supply is switched on for the first time.

L1 flash: Variant A see above, with no and two options (temp, drying).

L4 flash: Variant B see above, with one option (temp).

1. Press the programme button (S1) repeatedly until L1 or L4 is flashing.
2. Confirm your choice by pressing Start (S2). (The programme then reverts automatically the main menu.)

If you wish to access the variant setting menu again:

1. Turn off the main switch (I/O)
2. Wait for at least five seconds
3. Keep the Programme and Start button depressed (S1&S2)
4. Turn on the main switch (I/O)
5. Release the Programme and Start button (S1&S2). Proceed with point 6 within 5 sec!
6. Press Start (S2) three times in a rapid succession. Select variant with programme button (S1).

Confirm your choice by pressing Start (S2). The programme returns to the main menu.

Water hardness setting

Activation of setting menu

1. Turn off the main switch (I/O)
2. Wait for at least five seconds
3. Keep the Start button (S2) depressed
4. Turn on the main switch (I/O)
5. Release the Start button (S2) L7 starts to flash
6. Select desired water hardness with the Programme button (S1)

Setting:

Water hardness [°dH]

(German degrees of hardness)

All LEDs are extinguished	0-5 (incl. machines without water softener)
L1 lit	6-8
L1-2 lit	9-14
L1-3 lit	15-19
L1-4	20-29
L1-5 +L11 lit	30-44
L1-6 +L-11 +L-12 lit	45+

Confirm your choice by pressing Start (S2). The programme returns to the main menu.

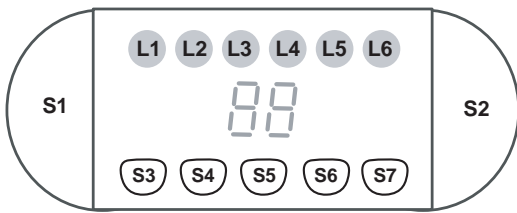
Total reset

To reset the machine to its basic settings.

1. Turn off the main switch (I/O)
2. Wait for at least 5 seconds
3. Keep the Programme button (S1) depressed
4. Turn on the main switch (I/O)
5. Release the Programme button (S1).

The machine now resets various settings, but not the water hardness and water intake setting. The machine then reverts automatically to the main menu.

DW20.2



Panel type DW20.2, L = LED, S = Push-button,

u.u. S3a Washing in both baskets

Both-basket washing (basic setting). The machine's upper and lower baskets are loaded with items to be washed.

u.u. b Washing in the upper basket

Most of the process water is directed by the spray arm divider to the upper spray arm.

u.u.c Washing in the lower basket

Most of the process water is directed by the spray arm divider to the lower spray arm.

° S4 Temperature

S4 lights when High temperature is selected

🕒 S5 Delayed start

Programme start delayed by 1-12 hours

}}} S6 Drying selection

Long and Normal drying (Quick wash: Long and No drying).

LED lights when long drying is selected

E S7 Express Variant 1 (certain markets)

Reduces the main wash temperature by 10°C, lowers the rinse temperature and shortens the drying time.

🧺 S7 Super rinsing Variant 2 (certain markets)

Adds two rinses.

Variant setting

If the control unit is replaced, the machine will automatically be in the variant setting menu when the power supply is switched on for the first time.

Fill the machine with appr. 1 litre of water!

1. Press the Programme button (S1), repeatedly until the desired variant is selected:

Display shows 1:

Variant Express (S7) also valid for 3 buttons.

Display shows 2:

Variant with Super rinse option (S7)

2. Confirm your choice by pressing Start (S2). The machine senses the presence of the turbidity and pressure sensors and the spray arm divider. The programme then reverts to the main menu.

If you wish access to the variant setting again:

1. Turn off the main switch (I/O)
2. Wait for at least 5 seconds
3. Keep the Programme/Start buttons (S1&S2) depressed
4. Turn on the main switch (I/O)
5. Release the Programme/Start buttons (S1&S2) **at once!** Proceed with point 6 within 5 sec!
6. Press Start (S2) three times in a rapid succession. Indication 1 or 2 flashes in the display.
7. Select variant with S1

Confirm your choice by pressing Start (S2). The programme returns to the main menu.

Water hardness setting

Activation of setting menu:

1. Turn off the main switch (I/O)
2. Wait for at least 5 seconds
3. Keep the Start button (S2) depressed
4. Turn on the main switch (I/O)
5. Release the Start button (S2)
6. Select desired water hardness with the Programme button (S1)

Setting:	Water hardness [°dH]
Display shows: 0	0-5 (incl. machines without water softener)
Display shows: 1	6-8
Display shows: 2	9-11
Display shows: 3	12-14
Display shows: 4	15-19
Display shows: 5	20-24
Display shows: 6	25-29
Display shows: 7	30-39
Display shows: 8	40-49
Display shows: 9	50+

Confirm your choice by pressing Start (S2).
The programme returns to the main menu.

Super rinse (only machines with Express; S7)

Adds two rinses at all programs, except Auto, Quick and Rinse & Hold

Activation of setting menu:

1. Turn off the main switch (I/O)
2. Wait for at least 5 seconds
3. Keep the Express button depressed (S7)
4. Turn on the main switch (I/O)
4. Release the Express button (S7)
5. Select desired status with the Programme button (S1)
Display shows 0: Super rinse deactivated
Display shows 1: Super rinse activated

Confirm your choice by pressing Start (S2).
The programme returns to the main menu.

Child lock

Activation/deactivation of setting menu:

1. Turn off the main switch (I/O)
2. Wait for at least 5 seconds
3. Keep the Temperature and Drying selection buttons depressed (S4 & S6)
4. Turn on the main switch (I/O)
5. Release the Temperature and Drying selection buttons (S4 & S6)
6. Select status with the Programme button (S1)
Display shows 0, key extinguished: Child lock deactivated
Display shows 1, key lit: Child lock activated

Confirm your choice by pressing Start (S2).
The programme returns to the main menu.

To unlock the child lock temporarily, the Temperature (S4) and Drying selection (S6) buttons must be pressed in simultaneously. The machine can now be operated normally for three minutes.

Total reset

To reset the machine to its basic settings.

Fill the machine with appr. 1 litre of water!

1. Turn off the main switch (I/O)
2. Wait for at least 5 seconds
3. Keep the Programme button depressed (S1)
4. Turn on the main switch (I/O)
5. Release the Programme button (S1).

The machine now resets various settings, although not the water hardness and intake volume, and senses the presence of the turbidity and pressure sensors and the spray arm divider. The machine then reverts automatically to the main menu.

DW20.3



Panel type DW20.3, L = LED, S = Push-button

S3a Washing in both baskets

Both-basket washing (basic setting). The machine's upper and lower baskets are loaded with items to be washed.

b Washing in the upper basket

Most of the process water is directed by the spray arm divider to the upper spray arm.

c Washing in the lower basket

Most of the process water is directed by the spray arm divider to the lower spray arm.

S4 Temperature selection

LED lights when high temperature is selected.

S5 Delayed start

Programme start delayed by five hours.

S6 Drying selection

(LED lights when long drying is selected)
Long and Normal drying (Quick wash: Long and no drying).

E S7 Express

Variant 1 (certain markets)

Reduces main wash and rinse temperature by 10°C, and shortens the drying time eight minutes. For certain markets the Express function is basically activated in Normal wash.

Super rinsing

Variant 2 (certain markets)

Adds two rinses.

Variant setting

If the control unit is replaced, the machine will automatically be in the variant setting menu when the power supply is switched on for the first time.

Fill the machine with appr. 1 litre of water!

1. Press the Programme button (S1, repeatedly until the desired variant is selected):
L1 lit: Variant Express option (S7) Also valid for 3 buttons design.
L2 lit: Variant Super rinse option (S7)

2. Confirm your choice by pressing Start (S2).

The machine senses the presence of the turbidity and pressure sensors and the spray arm divider. The programme returns to the main menu.

If you wish to access the variant settings menu again:

Fill the machine with appr. 1 litre of water!

1. Turn off the main switch (I/O)
2. Wait for at least 5 seconds
3. Keep the Programme/Start buttons (S1&S2) depressed
4. Turn on the main switch (I/O)
5. Release the Programme/Start buttons (S1&S2) **at once!** Proceed with point 6 within 5 sec!
6. Press Start (S2) three times in a rapid succession. L1 or L2 is flashing
7. Select variant with S1

Confirm your choice by pressing Start (S2). The programme returns to the main menu.

Water hardness setting

Activation of setting menu:

1. Turn off the main switch (I/0)
2. Wait for at least 5 seconds
3. Keep the Start button depressed (S2)
4. Turn on the main switch (I/0)
5. Release the Start button (S2)
6. Select the desired water hardness with the Programme button (S1)

Setting:	Water hardness[°dH]
All LEDs extinguished	0-5 (incl. machines without a water softener)
L1 lit	6-8
L1-2 lit	9-14
L1-3 lit	15-19
L1-4 lit	20-29
L1-5 lit	30-44
L1-6 lit	45+

Confirm your choice by pressing Start (S2).
The programme returns to the main menu.

Super rinse (only machines with Express; S7)

Activation of setting menu:

1. Turn off the main switch (I/0)
2. Wait for at least 5 seconds
3. Keep the Express button depressed (S7)
4. Turn on the main switch (I/0)
5. Release the Express button (S7)
6. Select the desired status with the Programme button (S1)
L1 extinguished: Super rinse deactivated
L1 lit: Super rinse activated

Confirm your choice by pressing Start (S2).
The programme returns to the main menu.

Child lock

Activation of setting menu:

1. Turn off the main switch (I/0)
2. Wait for at least 5 seconds
3. Keep the Temperature and Drying selection buttons depressed (S4 & S6)
4. Turn on the main switch (I/0)
5. Release the Temperature and Drying selection buttons (S4 & S6)
6. Select the status with the Programme button (S1)

L1 extinguished, Child lock deactivated
L1 lit, Child lock activated

Confirm your choice by pressing Start (S2).
The programme returns to the main menu.

To unlock the child lock temporarily, the Temperature (S4) and Drying selection (S6) buttons must be pressed simultaneously. The machine can now be operated normally for three minutes.

Total reset

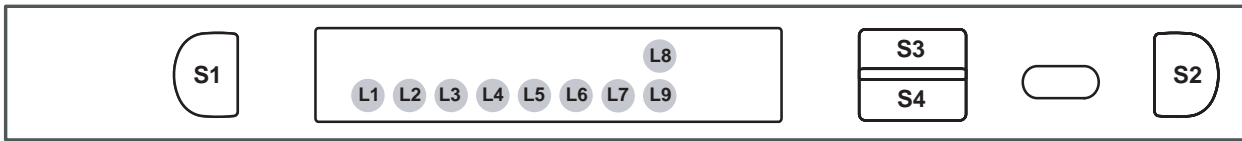
To reset the machine to its basic settings.

Fill the machine with appr. 1 litre of water!

1. Turn off the main switch (I/0)
2. Wait for at least 5 seconds
3. Keep the Programme button depressed (S1)
4. Turn on the main switch (I/0)
5. Release the Programme button (S1).

The machine now resets various settings, although not the water hardness and intake volume, and senses the presence of the turbidity and pressure sensors and the spray arm divider. The machine then reverts automatically to the main menu.

DW20.4



Panel type DW20.4, L = LED, S = Push-button

Variant 1: S3 = Set, S4 = Menu

Variant 2: S3 = Temperature S4 = Drying

Temperature selection

Heavy, Normal, Mixed, Upper basket, Lower basket wash: cold, 30, 40, 45,50, 55, 60, 65, 70, 75°C

Delicate and Quick wash: Cold, 30, 40, 45, 50, 55, 60°C

Drying selection

Short, Normal and Long drying.

Loaded baskets (does not apply to variant 2)

Both-basket washing (basic setting). The machine's upper and lower baskets are loaded with items to be washed.

Upper basket loaded (does not apply to variant 2)

Most of the process water is directed by the spray arm divider to the upper spray arm.

Lower basket loaded (does not apply to variant 2)

Most of the process water is directed by the spray arm divider to the lower spray arm.

Baskets combined loaded (does not apply to variant 2)

The spray arm divider directs a larger proportion of water through the lower spray arm (high spray pressure lower spray arm).

Delayed start (does not apply to variant 2)

Programme start delayed by 0.5-24 hours

Express (does not apply to variant 2)

Reduces main wash and rinse temperature 10°C, and shortens the main wash and drying time.

Super rinsing (does not apply to variant 2)

Adds two rinses.

Cooling (does not apply to variant 2)

30 minutes' fan time are added before the end of the programme to cool down washed items.

Access to Special settings Menu

1. Turn off the main switch (I/O).
2. Wait for at least 5 seconds
3. Keep (S3) depressed.
4. Turn on the main switch (I/O).
5. Release (S3)
6. Select status with (S3). Proceed with (S4).
 - a) Language: English, Swedish, Norwegian, etc.
 - b) Child lock: on/off.
 - c) Acoustic signal volume at end of programme: 0 (=off), 1, 2...9.

(does not apply to variant 2)

Alt 2. Machines with Menu/Set buttons

Turn on the Main Switch, step forward with the Menu (S4) until Special Settings menu appear.

Follow point 6. above

d) Water hardness setting

Setting:	Water hardness [°dH]
Display shows: 0	0-5 (incl. machines without water softener)
Display shows: 1	6-8
Display shows: 2	9-11
Display shows: 3	12-14
Display shows: 4	15-19
Display shows: 5	20-24
Display shows: 6	25-29
Display shows: 7	30-39
Display shows: 8	40-49
Display shows: 9	50+

- e) Temperature display in °C/°F.
- f) Machine information. Water consumption for most recent programmes run, number of programmes run. Toggle with S3.

Confirm your choice by pressing Start (S2).
The programme returns to the main menu.

Demo mode

Enter by pressing S4 and then turn the power On or both at the same time

Scrolling arguments will appear :

“Turbo Drying ...Super Cleaning System...Auto Wash...Flexi Racks...Power Zone...8 Steel.....Turbo Drying...”

Exit by turning main switch Off.

Variant setting

If the control unit is replaced, the machine will automatically be in the variant setting menu when the power supply is switched on for the first time.

Fill the machine with appr. 1 litre of water!

1. Press the Programme button (S1, repeatedly until the desired variant is selected):

Variant 1: Variant with Menu/Set

Variant 2: Variant with Temperature / Drying selection.

2. Confirm your choice by pressing Start (S2), or Drying selection/Menu S4). (The machine senses the presence of the turbidity, pressure and humidity sensors and the spray arm divider. The programme reverts to the main menu.)

If you wish to access the variant setting menu again:

1. Turn off the main switch (I/0).
2. Wait for at least 5 seconds
3. Keep Programme and Start depressed. (S1 / S2)
4. Turn on the main switch (I/0).
5. Release Programme and Start buttons (S1 / S2) **at once!** Proceed with point 6 within 5 sec!

6. Press Start (S2) 3 times in a rapid succession
7. Press the Programme button (S1) repeatedly until desired variant is selected.

Confirm your choice by pressing Start (S2).
The programme returns to the main menu.

Total reset

To reset the machine to its basic settings.

Fill the machine with appr. 1 litre of water!

1. Turn off the main switch (I/0)
2. Wait for at least 5 seconds
3. Keep the Programme button depressed (S1)
4. Turn on the main switch (I/0)
5. Release the Programme button (S1).

The machine now resets various settings, although not the water hardness and intake volume, and senses the presence of the turbidity, pressure and humidity sensors and the spray arm divider. The machine then reverts automatically to the main menu.

DW20.5



Panel type DW20.5, L = LED, S = Push-button, D = Display

S7a Washing in both baskets

Both-basket washing (basic setting). The machine's upper and lower baskets are loaded with items to be washed.

S7b Washing in the upper basket

Most of the process water is directed by the spray arm divider to the upper spray arm.

S7c Washing in the lower basket

Most of the process water is directed by the spray arm divider to the lower spray arm.

S3 Temperature selection

LED lights when high temperature is selected.

S5 Delayed start

Programme start can be delayed 1-9 hours.

S6 Drying selection

Long and Normal drying (Quick wash: Long and no drying).

LED lights when long drying is selected.

S7 Express Variant 1 (certain markets)

Reduces main wash and shortens the drying time.

S6 3 in 1 Combination washing agent

If one uses combination dishwashing detergents such as "3 in 1" this option can be selected. The dishwashing program automatically adapts to provide the best possible washing and drying results every time.

When using this dishwashing detergent it is not necessary to add rinse aid, as the rinse aid dosing function is bypassed; salt consumption* is reduced by roughly 2/3. The combination washing cleaning covers this function.

The option must not be selected with dishwashing detergent without the softening and rinse aid functions.

Neither may the option be used at water hardness exceeding 21°dH or what is indicated on the dishwashing detergent packaging.

Variant setting

If the control unit is replaced, the machine will automatically be in the variant setting menu when the power supply is switched on for the first time.

Fill the machine with appr. 1 litre of water!

1. Press the Programme button (S1), repeatedly until the desired variant is selected:

Display shows 1:

Variant Express (S6) also valid for 3 buttons.

Display shows 2:

Variant with 3 i 1 (S6)

2. Confirm your choice by pressing Start (S2). The machine senses the presence of the turbidity and pressure sensors and the spray arm divider. The programme then reverts to the main menu.

If you wish access to the variant setting again:

Fill the machine with appr. 1 litre of water!

1. Turn off the main switch (I/O)
2. Wait for at least 5 seconds
3. Keep the Programme/Start buttons (S1&S2) depressed
4. Turn on the main switch (I/O)
5. Release the Programme/Start buttons (S1&S2) **at once!** It takes a few seconds for the machine to read off that S1&S2 are depressed.
6. Press Start (S2) three times in a rapid succession. Indication 1 or 2 flashes in the display.
7. Select variant with S1

Confirm your choice by pressing Start (S2).
The programme returns to the main menu.

Water hardness setting

Activation of setting menu:

1. Turn off the main switch (I/O)
2. Wait for at least 5 seconds
3. Keep the Startbutton (S2)depressed
4. Turn on the main switch (I/O)
5. Release the Startbutton (S2)
6. Select desired water hardness with the Programme button (S1), see table below!

Setting:	Water hardness [°dH]
Display shows: 0	0-5 (incl. machines without water softener)

Display shows: 1	6-8
Display shows: 2	9-11
Display shows: 3	12-14
Display shows: 4	15-19
Display shows: 5	20-24
Display shows: 6	25-29
Display shows: 7	30-39
Display shows: 8	40-49
Display shows: 9	50+

Confirm your choice by pressing Start (S2).
The programme returns to the main menu.

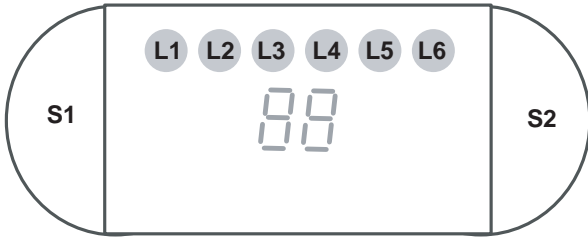
Total reset

To reset the machine to its basic settings.

1. Turn off the main switch (I/O)
2. Wait for at least 5 seconds
3. Keep the Programme button depressed (S1)
4. Turn on the main switch (I/O)
5. Release the Programme button (S1)

The machine will reset various settings, although not water hardness and intake volume. The machine also senses presence of the heavy soil and pressure sensor and spray arm diverter. The machine then automatically returns to the main menu.

DW20.C



Panel type DW20.C, L = LED, S = Push-button,

Water hardness setting

Activation of setting menu:

1. Turn off the main switch (I/O)
2. Wait for at least 5 seconds
3. Keep the Start button (S2) depressed
4. Turn on the main switch (I/O)
5. Release the Start button (S2)
6. Select desired water hardness with the Programme button (S1)

Setting:	Water hardness [°dH]
Display shows: 0	0-5 (incl. machines without water softener)
Display shows: 1	6-8
Display shows: 2	9-11
Display shows: 3	12-14
Display shows: 4	15-19
Display shows: 5	20-24
Display shows: 6	25-29
Display shows: 7	30-39
Display shows: 8	40-49
Display shows: 9	50+

Confirm your choice by pressing Start (S2).
The programme returns to the main menu.

Total reset

To reset the machine to its basic settings.

Fill the machine with appr. 1 litre of water!

1. Turn off the main switch (I/O)
2. Wait for at least 5 seconds
3. Keep the Programme button depressed (S1)
4. Turn on the main switch (I/O)
5. Release the Programme button (S1).

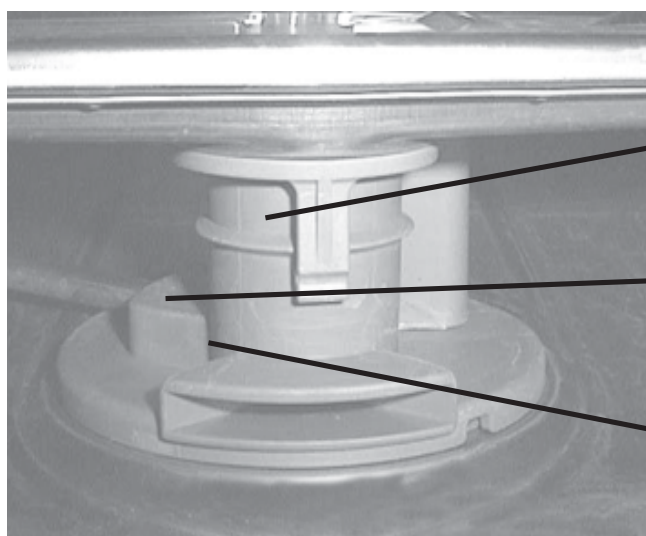
The machine now resets various settings, although not the water hardness and intake volume, and senses the presence of the turbidity and pressure sensors and the spray arm divider. The machine then reverts automatically to the main menu.

4.4 Water level DW20

When servicing DW20 dishwashers, it is important to check the water level in the machine.

This is particularly important when programming the time-controlled water intake. Too low a water level can cause poor dishwashing results.

Always allow the machine to take in and pump out water a few times before checking the level.



Overflow level = 6.5 litres

Without Spray arm diverter = 3.1 litres (1.5 mm above the level)

With Spray arm diverter = 2.7 litres (0.5 mm below the level)

Check the level at the lower wash tower

In the event of too low a water level, the filter in the inlet valve must always be checked and rinsed clean of any dirt. An inlet hose with a 3/4" connection at both ends has a filter in the connection outside the machine and must be checked and rinsed clean of any dirt.

When inserting a new inlet valve, it is recommended that the machine always be programmed for volume-controlled water intake or for increasing or decreasing the water level. See the service manual or installation instructions for guidance.

5. Service menu

5.1 Activation of service menu

DW20.1 (only water intake setting)

1. Turn off the main switch (I/O)
2. Wait for at least 5 seconds
3. Keep the Programme and Start buttons depressed (S1 & S2)
4. Turn on the main switch (I/O)
5. Release the Programme and Start buttons (S1 & S2) L7 flashes

The water intake can now be adjusted by pressing S1 once again. L7 is flashing continuously during the operation.

L1 extinguished: Volume-controlled water intake (regulated via the flow sensor)

L1 lit: Time-controlled water intake

Confirm your choice by pressing Start (S2). The programme returns to the main menu.

DW20.2, DW20.C

1. Turn off the main switch (I/O)
2. Wait for at least 5 seconds
3. Keep the Programme and Start buttons depressed (S1 & S2)
4. Turn on the main switch (I/O)
5. Release the Programme and Start buttons (S1 & S2) **at once!** The display lights up after 5 seconds.

Fault indication

The most recent fault to occur is indicated as F1, F2 and so on on the display.

Component test

Press the Programme button (S1) and index through the following components:

1. Inlet valve
2. Salt valve (only machines with water softener)
3. Detergent and surfactant dispenser
4. Circulation pump
5. Heating element and circulation pump (Max 75°C)
6. Fan
7. Drain pump

Water intake adjusting

The water intake can be adjusted by keeping the Programme button depressed until "1" in the display disappears.

Machines manufactured before year 2005 week 16 (NB! For DW20.C, this applies to all machines.)

Press the Programme button and index through the following:

Display shows 0: Normal water intake volume

Display shows 1: Water intake volume is reduced by 15 %

Display shows 2: Water intake volume is reduced by 10 %

Display shows 3: Water intake volume is reduced by 5 %

Display shows 4: Time-controlled water intake

Display shows 5: Water intake volume is increased by 5 %

Display shows 6: Water intake volume is increased by 10 %

Display shows 7: Water intake volume is increased by 15 %

Machines manufactured year 2005 week 16 and later (Not DW20.C)

Press the Programme button and index through the following:

Display shows 0: Normal water intake volume

Display shows 1: Water intake volume is increased by 5%

Display shows 2: Water intake volume is increased by 10 %

Display shows 3: Water intake volume is increased by 15%

Display shows 4: Time-controlled water intake

Display shows 5: Water intake volume is increased by 5 % time-controlled

Display shows 6: Water intake volume is increased by 10 % time-controlled

Display shows 7: Water intake volume is increased by 15 % time-controlled

Confirm your choice by pressing Start (S2). The programme returns to the main menu.

DW20.3

1. Turn off the main switch (I/O)
2. Wait for at least 5 seconds
3. Keep the Programme and Start buttons depressed (S1 & S2)
4. Turn on the main switch (I/O)
5. Release the Programme and Start buttons (S1 & S2)

The most recent fault is indicated as L1-L6.

Press the Programme button (S1) and index through the following components.

1. Inlet valve
2. Salt valve (only machines with water softener)
3. Detergent and surfactant dispenser
4. Circulation pump
5. Heating element and circulation pump (Max 75°C)
6. Fan
7. Drain pump

Keep the Programme button depressed for three seconds to adjust the water intake.

Machines manufactured before year 2005 week 16

Press the Programme button and index through the following:

L1-L6 extinguished: Normal water intake volume

L1 lit: Water intake volume is reduced by 10%

L2 lit: Water intake volume is reduced by 5%

L3 lit: Time-controlled water intake

L4 lit: Water intake volume is increased by 5 %

L5 lit: Water intake volume is increased by 10 %

L6 lit: Water intake volume is increased by 15 %

Machines manufactured year 2005 week 16 and later

Press the Programme button and index through the following:

L1-L6 extinguished: Normal water intake volume

L1 lit: Water intake volume is increased by 5%

L2 lit: Water intake volume is increased by 10%

L3 lit: Time-controlled water intake

L4 lit: Water intake volume is increased by 5 % time-controlled

L5 lit: Water intake volume is increased by 10 % time-controlled

L6 lit: Water intake volume is increased by 15 % time-controlled

Confirm your choice by pressing Start (S2). The programme returns to the main menu.

DW20.4

1. Turn off the main switch (I/O)
2. Wait for at least 5 seconds
3. Keep the Temperature/Set and Drying/Menu buttons depressed (S3 & S4)
4. Turn on the main switch (I/O)
5. Release the Temperature/Set and Drying/Menu buttons (S3 & S4)

Press Temperature/Set (S3) for information about:

- Date code (year/week) and serial number
- Control unit date code
- Software version
- Most recent fault
- Next most recent fault (if different from the most recent fault)
- Third most recent fault (if different from the two most recent faults)

Press Drying/Menu (S4) to access component diagnostics.

Press Temperature/Set (S3) to activate the following components:

1. Inlet valve (display shows water intake volume)
2. Salt valve (only machines with water softener)
3. Detergent and surfactant dispenser
4. Circulation pump (display shows turbidity in Volts)
5. Heating element and circulation pump (Max 75°C) (Display shows temperature, see table)
6. Fan (display shows humidity sensor value)
7. Drain pump (display shows pressure sensor reading; 0.5-3.5 VDC)

°C	Display	°C	Display
0	32	40	111
5	40	45	123
10	49	50	134
15	60	55	146
20	71	60	156
25	80	65	167
30	90	70	177
35	101	75	188

The table shows the temperature and equivalent display code

Adjusting water intake

Press Drying/Menu (S4) for setting the water intake.

Machines manufactured before year 2005 week 16

Press Drying/Menu (S4) to access water intake setting

Press Temperature/Set (S3) to adjust the water intake.

Display 0: Normal water intake volume

Display -15 %: Water intake volume is reduced by 15 %

Display -10 %: Water intake volume is reduced by 10 %

Display -5 %: Water intake volume is reduced by 5 %

Display Time: Time-controlled water intake

Display +5 %: Water intake volume is increased by 5 %

Display +10 %: Water intake volume is increased by 10 %

Display +15 %: Water intake volume is increased by 15 %

Press Start (S2) to store the setting of the water intake volume and LCD contrast.

The programme returns to the main menu.

Machines manufactured year 2005 week 16 and later

Press Drying/Menu (S4) to access water intake setting

Press Temperature/Set (S3) to adjust the water intake.

Display 0: Normal water intake volume

Display +5%: Water intake volume is increased by 5%

Display +10 %: Water intake volume is increased by 10 %

Display +15%: Water intake volume is increased by 15 %

Display time: Time-controlled water intake

Display Time +5 %: Water intake volume is increased by 5 %

Display Time +10 %: Water intake volume is increased by 10 %

Display Time +15 %: Water intake volume is increased by 15 %

Press Drying/Menu (S4) to access LCD contrast setting.

Press Temperature/Set (S3 repeatedly) to adjust the contrast 0, +1, +2, +3, -1, -2, -3.

DW20.5

1. Turn off the main switch (1/0).
2. Wait for **at least 5 seconds**
3. Keep Program- / Startbutton (S1&S2) depressed.
4. Turn on the main switch (1/0).
5. Release Program- and Startbutton (S1&S2) when the diods lights. Proceed with point 6 within 5 seconds
6. Press Start (S2) 3 times in a rapid succession. (1 or 2 flashes in the display)
7. Select desired variant with Program button (S1)

Confirm selection by pressing Start (S2). The program returns to the main menu.

Adjusting water intake

Press the program selector (S1) for 3 secs to activate the menu for setting the water intake. Then step through using the Program button (S1).

- Display shows: 0 Normal water intake volume
- Display shows: 1 Water intake volume increases by 5%
- Display shows: 2 Water intake volume increases by 10%
- Display shows: 3 Water intake volume increases by 15%
- Display shows: 4 Time controlled water intake
- Display shows: 5 Water intake volume increases by 5 % time controlled
- Display shows: 6 Water intake volume increases by 10 % time controlled
- Display shows: 7 Water intake volume increases by 15 % time controlled

Confirm selection by pressing Start (S2). The program returns to the main menu.

Water hardness setting

Activating setting menu:

1. Turn off the main power switch (1/0).
2. Wait at least 5 seconds.
3. Hold Start button (S2) pressed in
4. Switch on the main power switch (1/0).
5. Release Start button (S2)
6. Select the desired water hardness using the Program button (S1), see the table below.

Setting:	Water hardness [°dH]
The display shows: 0	0-5 (applies to dishwashers with water softeners)
The display shows: 1	6-8
The display shows: 2	9-11
The display shows: 3	12-14
The display shows: 4	15-19
The display shows: 5	20-24
The display shows: 6	25-29
The display shows: 7	30-39
The display shows: 8	40-49
The display shows: 9	50+

Confirm selection by pressing Start (S2).
The program returns to the main menu.

Water hardness setting

Activation of setting menu:

1. Turn off the main switch (1/0)
2. Wait for at least 5 seconds
3. Keep the Startbutton (S2)depressed
4. Turn on the main switch (1/0)
5. Release the Startbutton (S2)
6. Select desired water hardness with the Programme button (S1), see table below!

Setting:	Water hardness [°dH]
Display shows: 0	0-5 (incl. machines without water softener)
Display shows: 1	6-8
Display shows: 2	9-11
Display shows: 3	12-14
Display shows: 4	15-19
Display shows: 5	20-24
Display shows: 6	25-29
Display shows: 7	30-39
Display shows: 8	40-49
Display shows: 9	50+

Confirm selection by pressing Start (S2).
The program returns to the main menu.

5.2 Programme flow descriptions

Illustrated below is a normal program (for USA) and the sequence in which the various components are connected.

Normal wash

Component	Commentary
Pre wash	
Drain pump	25 sec
Inlet valve	605 pulse*, 47 sec, 3.1 lit*** 535 pulse* 40 sec, 2.7 lit**
Circulation pump	30 sec Upper arm high pressure**
Pause	1 sec / 3 sec / 5 sec, time is depending on model
Circulation pump	240 sec Lower arm high pressure**
Circulation pump	60 sec Upper arm high pressure**
Circulation pump	240 sec Lower arm high pressure**
Circulation pump	60 sec Upper arm high pressure**
Drain pump	2 sec SCS stage
Circulation pump	20 sec SCS stage Upper arm high pressure **
Drain pump	25 sec
Inlet valve	295 pulse*, 24 sec, 1,6 lit
Circulation pump	30 sec Upper arm high pressure**
Pause	5 sec
Circulation pump	5 sec Upper arm high pressure**
Pause	5 sec
Circulation pump	5 sec Upper arm high pressure**
Drain pump	25 sec
Main Wash	
Inlet valve	605 pulse*, 47 sec, 3.1 lit*** 535 pulse* 40 sec, 2.7 lit**
Circulation pump	60 sec Upper arm high pressure**
Circulation pump, Combined dispenser	3 sec
Circulation pump, Heater	85°F Temperature stop
Circulation pump	3 min
Circulation pump, Heater	130°F
Circulation pump	10 min
Circulation pump	1 min Upper arm high pressure **
Drain pump	2 sec SCS stage
Circulation pump	20 sec SCS stage Upper arm high pressure **
Drain pump	25 sec

Cooling down (not DW20.1)**Machines with softener : Cool down step is NOT performed during regeneration.**

Drain pump	5 sec	
Inlet valve	300 pulse*, 24 sec, 1,6 lit	
Circulation pump	60 sec	
Drain pump	25 sec	
Pre-rinse		
Inlet valve	135 pulse*, 11 sec, 0.7 lit	
Circulation pump	20 sec	Lower arm low pressure**
Drain pump	25 sec	
1st. Rinse		
Inlet valve	605 pulse*, 47 sec, 3.1 lit***	
	535 pulse* 40 sec, 2.7 lit**	
Circulation pump	4 min	
Circulation pump	60 sec	Upper arm high pressure**
Drain pump	3 sec	SCS stage
Circulation pump	20 sec	SCS stage Upper arm high pressure **
Drain pump	25 sec	
Final rinse		
Inlet valve	605 pulse*, 47 sec, 3.1 lit***	
	535 pulse* 40 sec, 2.7 lit**	
Circulation pump	1 min	
Circulation pump, Heater	122°F	Temperature stop
Circulation pump, Combined dispenser	1 min	
Circulation pump	4 min	
Circulation pump	1 min	Upper arm high pressure **
Pause	1 min	
Drain pump	25 sec	
Drying		
Fan	20 min	

* pulse = number of pulses from the flow sensor to obtain the given quantity of water

** applicable to a machine with spray arm dividers. 1 stage (with an additional circulation pump) where no spray arm divider status is indicated, sequential 30 seconds lower arm low pressure, 30 seconds lower arm high pressure, 30 seconds upper arm low pressure, 30 seconds upper arm high pressure are intended.

*** without spray arms dividers

USA

Normal wash and High temp selected (for machines produced from W16 2005)

Component	Commentary
Pre wash	
Drain pump	25 sec
Inlet valve	605 pulse*, 47 sec, 3.1 lit*** 535 pulse* 40 sec, 2.7 lit**
Circulation pump	30 sec Upper arm high pressure**
Pause	1 sec / 3 sec / 5 sec, time is depending on model
Circulation pump	60 sec Upper arm high pressure**
Circulation pump	30 sec **
Drain pump	2 sec SCS stage
Circulation pump	20 sec SCS stage Upper arm high pressure **
Drain pump	25 sec
Inlet valve	605 pulse*, 47 sec, 3.1 lit*** 535 pulse* 40 sec, 2.7 lit**
Circulation pump, Heater	480 sec - 32°C Temperature stop
Drain pump	2 sec SCS stage
Circulation pump	20 sec SCS stage Upper arm high pressure **
Drain pump	25 sec
Inlet valve	425 pulse*, 34 sec, 2,3 lit
Circulation pump	30 sec Upper arm high pressure**
Pause	5 sec
Circulation pump	5 sec Upper arm high pressure**
Pause	5 sec
Circulation pump	5 sec Upper arm high pressure**
Drain pump	25 sec
Main wash	
Inlet valve	605 pulse*, 47 sec, 3.1 lit*** 535 pulse* 40 sec, 2.7 lit**
Circulation pump	60 sec Upper arm high pressure**
Circulation pump, Combined dispenser	3 sec
Circulation pump	3 min
Circulation pump, Heater	40°C Temperature stop
Circulation pump, Heater	55°C
Circulation pump	20 min
Circulation pump	1 min Upper arm high pressure **
Drain pump	2 sec SCS stage
Circulation pump	20 sec SCS stage Upper arm high pressure**
Drain pump	25 sec

Cooling down (not DW20.1)**Machines with softener : Cool down step is NOT performed during regeneration.**

Drain pump	5 sec
Inlet valve	24 sec
Circulation pump	60 sec
Drain pump	25 sec
Pre-rinse	
Inlet valve drain pump	100 pulse*, 8 sec, 0,5 lit
Drain pump	8 sec
Inlet valve	425 pulse*, 34 sec, 2,3 lit
Circulation pump	30 sec Upper arm high pressure**
Pause	5 sec
Circulation pump	5 sec Upper arm high pressure**
Pause	5 sec
Circulation pump	20 sec Lower arm low pressure**
Drain pump	25 sec
1st. Rinse	
Inlet valve	605 pulse*, 47 sec, 3.1 lit*** 535 pulse* 40 sec, 2.7 lit**
Circulation pump	4 min
Circulation pump	60 sec Upper arm high pressure **
Drain pump	2 sec SCS stage
Circulation pump	20 sec SCS stage Upper arm high pressure **
Drain pump	25 sec
Drain pump Inlet valve	100 pulse, 8 sec, 0,5 lit
Drain pump	8 sec
Final rinse	
Inlet valve	605 pulse*, 47 sec, 3.1 lit*** 535 pulse* 40 sec, 2.7 lit**
Circulation pump	60 sec
Circulation pump, Heater	65°C Temperature stop
Circulation pump, Combined dispenser	3 sec
Circulation pump	3 sec
Circulation pump, Combined dispenser	60 sec
Circulation pump	4 min
Circulation pump	50 sec Upper arm high pressure **
Pause	60 sec
Drain pump	25 sec
Drying	
Fan	30 min

* pulse = number of pulses from the flow sensor to obtain the given quantity of water

** applicable to a machine with spray arm dividers. 1 stage (with an additional circulation pump) where no spray arm divider status is indicated, sequential 30 seconds lower arm low pressure, 30 seconds lower arm high pressure, 30 seconds upper arm low pressure, 30 seconds upper arm high pressure are intended.

*** without spray arms dividers

6. Troubleshooting

If there are problems with poor washing results, you must observe the following rules in the first instance:

- Use a suitable program, such as Normal program 130°F/140°F for normally soiled items. After week 16 2005, 130°F/150°F. Not DW20.C, which has a temperature of 55°C for a normal program and Sani A (B).
- If more heavily soiled items are to be washed, e.g. saucepans or gratin dishes, select a stronger program, such as Heavy wash or Intensive wash.
- It is important to use a suitable detergent, preferably one which has produced good results in tests.
- You should not buy a bulk pack, because detergent is a perishable product. The detergent dose must also conform to the recommendations on the pack. **Above all, avoid overdosing.**
- In machines fitted with a water softener, set the dispenser for soft water. The spray arms must not be obstructed and they must rotate at the correct speed (12 - 25 r/min). Make sure that the machine takes in the correct quantity of water; see the user handbook.

6.1 Most common faults

If the dishwasher does not work, you should first check whether this may be due to a simple fault which the customer himself can correct. Identify the fault with the help of the following questions.

Machine will not start

- Are the fuses intact?
- Is the machine connected to the mains?
- Is the door properly closed?
- Is the water tap open?

If you have answered “YES” to the above questions, and if the machine appears to be without a power supply, you should first check that a power supply is present as far as the main switch and as far as the control unit.

If the machine indicates that something is wrong, e.g. “Open door” even though the door is closed, check the door switch.

If the machine indicates “Overfilling”, check the overfilling system (microswitch, hoses, etc.)

Water remains in the machine

- Is there a blockage in the drain hose?
Check the connection at the union with the building’s drains.
- Is there a kink in the drain hose?
- Are the filters blocked?
- Is the drain pump blocked?
- Is the gauge block on the left in the sump next to the drain pump incorrectly seated?

If you have answered “NO” to the above questions, first check that the drain pump has a power supply and that it is working. The pump must be replaced if it is faulty. If there is no power supply to the pump, check the output from the control unit. Replace the control unit if it is defective.

The dishwasher is not clean

- Are the spray arms able to move freely?
- Are the holes in the spray arms free from dirt?
- Is the detergent being dispensed correctly?
Check that you are dispensing according to the hardness of the water.
- Is the fine filter securely attached?
- Are you using the correct wash program?
- Is the machine correctly loaded?

If you have answered “YES” to the above questions, you should check the following: that the machine has the correct quantity of water, that the spray arms are moving in the right direction and are rotating at the correct speed (minimum 12 r/min), that the circulation pump is working as intended, that the spray arm divider is working as intended and that the machine empties the water properly (no residual water present before refilling).

Cloudiness or stains on washed items

- Is the lid on the water softener screwed securely in place?
- Is the rinse aid dispenser correctly set?
- Is the water softener correctly set?
- Is there salt in the salt container?
- Are you using the correct type of salt?
- Is the temperature correctly set?

If you have answered “YES” to the above questions, you should check the following: spray arms, circulation pump, element, combined dispenser, spray arm divider. If the machine is equipped with a water softener, the inlet valve for the water softener, the airbreak and the function of the water softeners must also be checked.

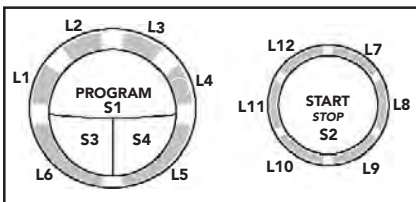
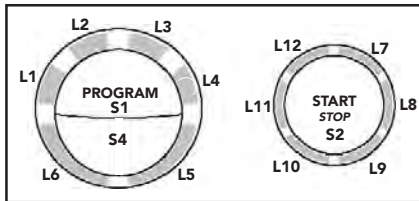
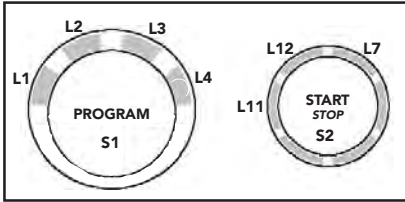
Does the machine stop at the beginning of the wash program?

- Is the water tap fully open?
- Is the filter at the screwed nipple of the supply hose clean?

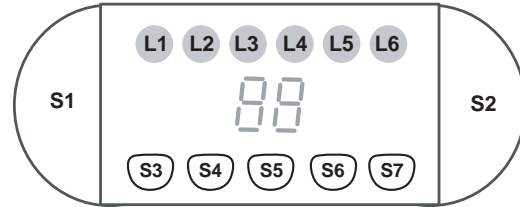
If you have answered “YES” to the above questions, you should check the inlet valve + float microswitch.

6.2 Fault indication

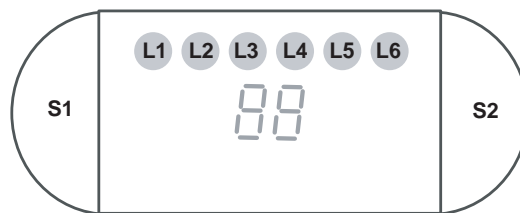
DW20.1



DW20.2



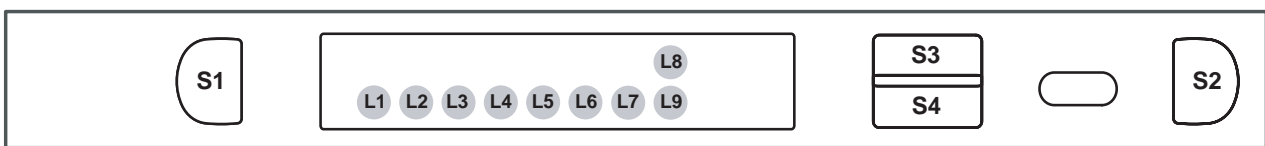
DW20.C



DW20.3



DW20.4



DW20.5



L - LED, S - Push-button, F - Fault code on the display

6.3 Fault codes

In the fault codes below, “L ” denotes LED and “F” denotes fault code on the display.

LED L1/Fault code F1, Temperature stop fault (no indication in DW20.1)

The temperature rise is less than 5°C in ten minutes. The programme exits from the heating stage and continues in the process. Indication only in the service menu.

Check: Element, thermistor, water level, circulation pump and control unit, wiring.

LED L2/Fault code F2, Overfilling

Too much water in the machine (pressure sensor) or float activated. If the water has not been evacuated within 60 seconds, the programme will be interrupted (drain pump activated).

Check: Drain pump (blockage in hoses), flow sensor, inlet valve, leakage, wiring.

LED L3/Fault code F3, Thermistor fault (no indication in DW20.1)

Interruption or >80°C. The programme exits from the heating stage and continues in the process. Indication only in the service menu.

Check: Thermistor, control unit.

LED L4/Fault code F4, Water intake fault (no indication in DW20.1)

< 80 pulses within 60 seconds or correct number of pulses is not achieved within 255 seconds. Programme interrupted.

Check: Water supply, flow sensor, inlet valve, wiring.

LED L11/Fault code F5, Valve leakage (no indication in DW20.1)

> 80 pulses detected when the inlet valve is deactivated. Certain models attempt to remedy the leak first.

Any programme in progress is interrupted (drain pump activated).

Check: Leakage through inlet valve, flow sensor.

LED L12/Fault code F6, Pressure sensor fault

Output signal > 4.8V. The programme continues. Indication only in the service menu.

Check: Pressure sensor, control unit and wiring.

LED L1+L2/Fault code F7, Pumping out fault (machines with pressure sensor)

Water not evacuated after 120 seconds' pumping out. Programme interrupted.

Check: Drain pump, hoses, installation of drain hose, control unit and wiring.

LED L1+L3/Fault code F8, Blocked filter

The pressure sensor senses excessively low pressure during the final rinse. Indication after end of programme.

Check: Filter, sump (pressure chamber), pressure sensor.

LED L1+L4/Fault code F9, Circulation fault

The pressure sensor senses excessively low pressure (e.g. no water in the machine) or excessively high pressure (e.g. the circulation pump is defective). The programme exits from the heating stage and continues in the process. Indication only in the service menu.

Check: Circulation pump, filter, water level, pressure chamber and pressure sensor.

LED L1+L11/Fault code FA, Turbidity sensor fault

Indication only in the service menu. The machine assumes high turbidity for “choice of route” in the automatic programme.

Check: Water quality, filter, turbidity sensor, drain system.

LED L1+L12/Fault code FB, Spray arm divider fault

Position contact is continuously closed or open. The programme proceeds. Indication only in the service menu.

Check: Spray arm divider (function of gearbox, contacts and wiring).

LED L7/Salt indication (DW20.5)

LED L6/Rinse aid indication (DW20.5)

LED L7/Fault code, Door open

LED L7/Fault code, Close door

7. Tools

7.1 Tools

The following tools are used for servicing dishwasher model DW20:

Torx

T25

T20

T10

Ring spanner

10 mm

Box spanner

10 mm

7.2 SpecialTools

8801127 UniversalTools, dishwasher

7281370 Hose clip pliers, Oetiker

Register

A

Adjustable foot 17
Airbreak 14
Auto wash 19

B

Blocked filter 39

C

Circulation fault 39
Circulation pump 12
Connection diagram 11
Connection to electricity 16
Connection to water 16

D

Detergent and surfactant dispenser 13
Drain pump 13
Drainage 16

F

Fan 13
Fault codes 39
Flow sensor 12
Flow valve 12

H

Heating element 13

I

Inlet valve 12
Installation 15
Intensive wash 19

L

Lighting 13
Lower basket wash 19

M

Main switch 13
Mixed wash 19

N

Normal wash 19

O

Options 20
Overfilling 39
Overflow cut-out 13

P

Pressure sensor 14
Pressure sensor fault 39
Programme 19
Pumping out fault 39

Q

Quick wash 19

R

Radio interference suppressor 13

S

Safety valve 12
Sani A 19
Sani B 19
Screw the machine in place 18
Settings 19
Spray arm divider 12
Spray arm divider fault 39

T

Technical information 8
Temperature stop fault 39
Thermistor 14
Thermistor fault 39
Time display 20
Tools 40
Troubleshooting 36
Turbidity sensor 14
Turbidity sensor fault 39

U

Upper basket wash 19

V

Valve leakage 39
Variant setting DW20.1 21
Variant setting DW20.2 22
Variant setting DW20.3 24
Variant setting DW20.4 27
Water hardness setting DW20.1 21
Water hardness setting DW20.2 23, 28
Water hardness setting DW20.3 24
Water hardness setting DW20.4 27
Water hardness setting DW20.C 28
Water intake fault 39
Water softener 14
Wiring 14
Water level DW20 31

