



LG Electronics Inc.

P/No. : MFL37554802



DISHWASHER

SERVICE MANUAL

NOTE

BEFORE SERVICING THE UNIT, PLEASE READ THIS MANUAL CAREFULLY FOR SAFETY AND CORRECT SERVICES.

MODEL : LDF9810(ST,WW,BB), LDF9810 (ST,WW,BB) / 01

CONTENTS

1. CAUTION.....	3
2. SPECIFICATION.....	4
3. WIRING DIAGRAM.....	5
4. FEATURES & TECHNICAL EXPLANATION	6
5. PARTS NAME	11
6. PROGRAM CHART	12
7. HOW TO DISASSEMBLE	13
8. TROUBLE SHOOTING METHODS.....	22
A. TROUBLE SHOOTING ACCORDING TO DISPLAYED ERROR MESSAGE	22
B. STEAM GENERATOR ERROR MESSAGE	24
C. TROUBLE DIAGNOSES AND REPAIR BY SYMPTOM.....	25
9. INSTALLATION INSTRUCTION	29
10. EXPLODED VIEW	36
11. REPLACEMENT PART LIST	42

CAUTION

- DISCONNECT POWER CORD BEFORE SERVICING
- RECONNECT ALL GROUNDING DEVICES

IMPORTANT SAFETY NOTICE !

This service information is intended for individuals possessing adequate backgrounds of electrical, electronic and mechanical experience.

Any attempt to repair this appliance may result in personal injury and property damage.

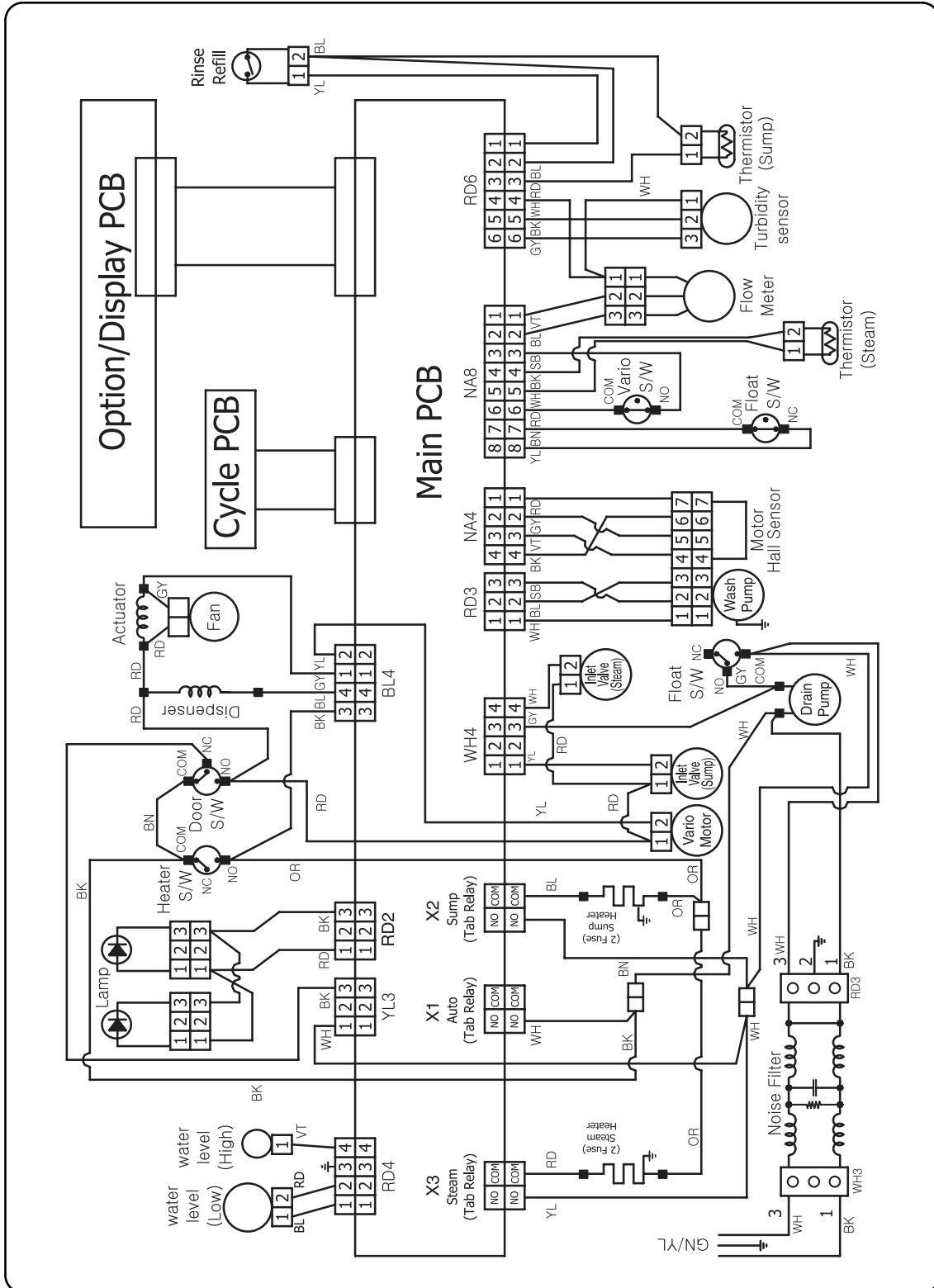
The manufacturer or seller can not be responsible for the interpretation of this information, nor can it assume any liability in connection with its use.

2. SPECIFICATION

ITEM	SPECIFICATION
Rated Voltage / Frequency	AC 120V/60Hz
Installation	Built-In
Place Settings	14
Product Dimension(in)	23 7/8" x 25" x 33 7/8"
Product Weight(lbs)	128lbs
Door Color	White, Black, Stainless
Tub Material	Stainless Steel
Control	Electronic
Rated Power(Watt)	1,350
Heater Power(Watt)	1,200
Programs	6 Cycle
Upper Rack Position	Adjustable
Lower Rack	50% Fold down
Cutlery Rack	Yes
Water Consumption(ℓ)	10-26 (Normal)
Power Consumption(kWh/year)	285~310
Operating Time (min)	101-135 (Normal)
Fan Dry System	Yes
Steam Generator	Yes
Delay Start Function	Yes
Auto-Off Power Switch	Yes
Process Monitor	Yes
Wash Level	5
Racks	Nylon Coating
Operating Water Pressure (Bar)	20-120 (140-830kPa)

3. WIRING DIAGRAM

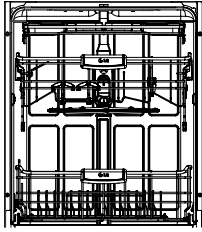
1. LDF9810 series



4. FEATURES & TECHNICAL EXPLANATION

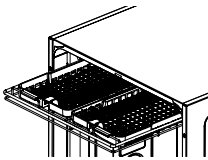
4-1. Product Features

■ Ultra Large Capacity



If you raise the upper rack, you can load large dishes (Max. 14 in.) in the lower rack. The tall tub provides the clearance to handle large dishes as well as overall large capacity. LG dishwashers let you load very large items in the upper and lower racks.

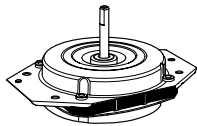
■ Removable Cutlery Rack



Third level cutlery rack makes it easy to load and unload flatware and cooking utensils.

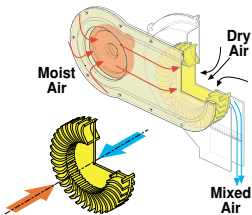
Trays can be adjusted or removed to make more room for regular upper rack items.

■ Slim Direct Motor™



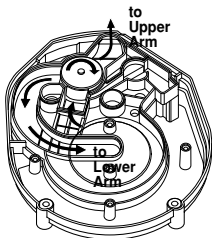
The new **Slim Direct Motor™** is inverter-controlled. Wash power is controlled based on program selection. It also offers high energy efficiency to minimize energy use.

■ Hybrid Drying System



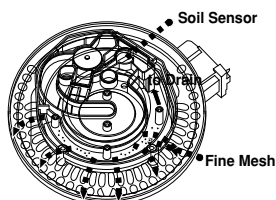
This is one of the best performance solutions for drying dishes because it minimizes venting humid air to the outside of the dishwasher. In addition, this system ensures better drying results compared to the condensing drying system while minimizing energy consumption.

■ Vario Spray System



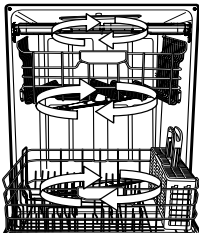
Because the water spray is alternated between the upper and lower racks, all the power from the motor is directed to only one rack at a time which allows superior performance and reduced consumption of water and electricity.

■ Self-Cleaning Filter



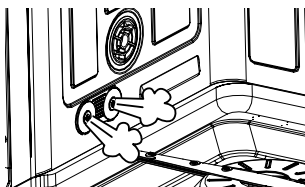
For best wash results, the self-cleaning filter system continuously cleans the water as it circulates. Your LG dishwasher has a self-cleaning filter that grinds food into small particles before it goes down the drain.

■ Dual Intensity™ Wash Cycle



The spray intensity of the upper and lower racks is programmable by the consumer. You can select wash power based on soil level. For example, by selecting Soft Spray for the upper rack and Strong Spray for the lower rack, you can wash delicate items like stemware on the upper rack while washing pots and pans on the lower rack.

■ Steam Washing and Steam Delicate™



Adding STEAM to the wash cycles enhances wash performance with very little additional water or energy consumption. The SteamDelicate™ cycle can be used for cleaning delicate items such as china or stemware.

■ Light Touch Buttons and Blue LCD



The light touch buttons on the control panel make selections easy and convenient, while the blue LCD display clearly displays the selected cycle and options.

4-2. How To Use Dual Intensity™

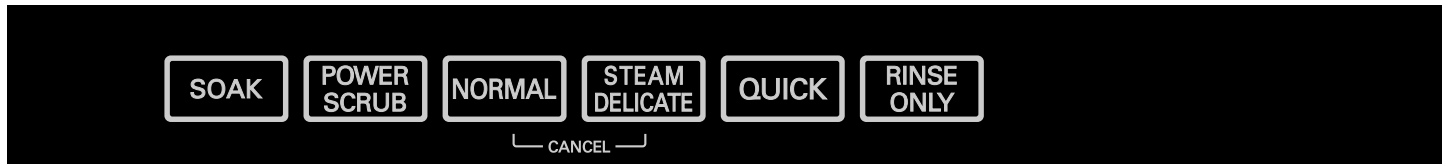
1. Select the desired wash cycle.
2. Press and hold the **SPRAY** key for 3 seconds. Both the **UPPER** and **LOWER** indicators will be illuminated indicating that both racks will be washed. The **UPPER** indicator will be blinking to show this is the rack selected for adjustment of the spray intensity.
3. Press the **SPRAY** key repeatedly to set the desired spray intensity for the **UPPER** rack (Strong/Medium/Soft).
4. Press the **HALF LOAD** key to switch to the **LOWER** rack. The **LOWER** rack indicator will now be blinking.
5. Press the **SPRAY** key repeatedly to set the desired spray intensity for the **LOWER** rack (Strong/Medium/Soft).
6. Select other options as desired.
7. Close the door to start the dishwasher.
8. To cancel the **Dual Intensity™** wash option, simply press one of the cycle keys. The default settings for that cycle will be displayed.

NOTE Once the cycle has started, cycles and options cannot be changed.

4-3. Auto-Off

When the power is turned on, if you don't select program or if you don't close the door after selecting a program, your dishwasher will automatically turn off in 10 minutes.

4-4. Display Panel

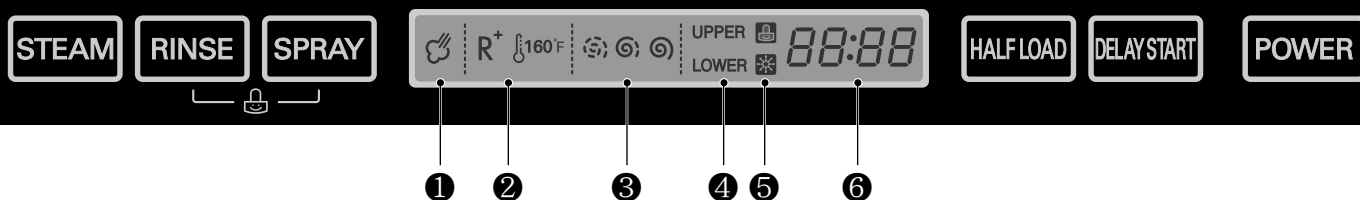


CYCLE








SOAK	This cycle is for very heavily soiled loads including pots, pans, and casserole dishes, which may have cooked on food.
POWER SCRUB	This cycle is for normally soiled, every day loads.
NORMAL	This cycle is for normally soiled, every day loads.
STEAM DELICATE	This cycle is for washing delicate items like china or stemware.
QUICK	This cycle is for quick wash of lightly soiled, recently used dishes, and cutlery.
RINSE ONLY	This cycle is just for rinsing dishes quickly. No detergent is used.

OPTION

STEAM	Press the STEAM button to add steam to the selected cycle for added cleaning power. NOTE : Steam can only be added to the following cycles: SOAK, POWER SCRUB, NORMAL.
RINSE	Repeated pressing of the RINSE key will select Sanitary(160°F), Extra Rinse(R ⁺) or both.
SPRAY	Select the spray intensity that matches your cleaning needs. Repeated pressing of the SPRAY key will select Strong (⑥), Medium (⑤) or Soft (④).
HALF LOAD	For smaller loads, use this option to wash only the upper or lower rack to save energy. Press HALF LOAD repeatedly to select either the upper or lower rack.
DELAY START	Use this option to start the dishwasher at a later time. Press DELAY START repeatedly to delay the beginning of the selected cycle. Each press of the button will increase the delay time by one hour. Maximum delay is 24 hours.



INDICATOR

①		<p>STEAM OPTION INDICATOR</p> <p>Indicates that the STEAM option has been selected. The symbol will blink while steam is being injected into the dishwasher.</p>
②	R ⁺ 160°F	<p>RINSE INDICATOR</p> <p>It shows configuration of rinse option.</p> <p>The (160°F) symbol indicates that sanitary rinse has been selected. The symbol blinks during the cycle if the sanitary temperature has been achieved. Once the cycle has ended, the symbol will be steady if the sanitary temperature has been achieved. (See NOTE below.)</p> <p>The (R⁺) symbol indicates that an extra rinse has been added to the selected cycle.</p>
③		<p>SPRAY INDICATOR</p> <p>Indicates the selected spray intensity: Strong (), Medium () or Soft ().</p>
④	UPPER LOWER	<p>HALF LOAD INDICATOR</p> <p>Each press of the HALF LOAD key cycles between upper rack only and lower rack only.</p> <p>When DUAL INTENSITY is selected, both lights will be on and one will be blinking. The spray intensity for the blinking rack can be adjusted independently.</p>
⑤	 	<p>CHILD LOCK</p> <p>This symbol will be visible when Child Lock is activated.</p> <p>RINSE AID</p> <p>The symbol will be activated when the rinse aid needs to be refilled</p>
⑥	88:88	<p>TIME REMAINING</p> <p>Indicates normal run time for the cycle selected.</p> <p>During the cycle, the estimated time remaining for the selected cycle will be displayed</p>

CANCEL & CHILD LOCK

CANCEL	To cancel a running cycle, open the door, then press and hold the STEAM DELICATE and NORMAL buttons together for 3 seconds. The drain pump will be activated and the cycle will be canceled.
CHILD LOCK	To lock/unlock the buttons, press SPRAY and RINSE simultaneously for 3 seconds. When CHILD LOCK is set, the CHILD LOCK indicator will appear and all buttons are disabled.

4-5. TEST MODE

CHECK PROGRAM

BUTTON	The number of pushing button	Top Display	Load and Checking points		Door open/closed
Rinse + Spray + Power	1 TIME	0n:3H/0U:00	All LEDs are lighting		Both
Soak	1 TIME	00:00	All LEDs are lighting		Both
Power Scrub	1 TIME	11:11	All LEDs are lighting		Both
Normal	1 TIME	22:22	All LEDs are lighting		Both
Steam Delicate	1 TIME	33:33	All LEDs are lighting		Both
Quick	1 TIME	44:44	All LEDs are lighting		Both
Rinse Only	1 TIME	55:55	All LEDs are lighting		Both
Steam	1 TIME	66:66	All LEDs are lighting		Both
Rinse	1 TIME	77:77	All LEDs are lighting		Both
Spray	1 TIME	88:88	All LEDs are lighting		Both
Half Load	1 TIME	99:99	All LEDs are lighting		Both
Delay start	1 TIME	Steam generator Temp(°C)	Steam generator Thermistor	All LEDs	Both
	2 TIME	0n:H1	Steam generator Heater (for 1.2 sec)	All LEDs	Closed
	3 TIME	0n:33	Drain Pump	All LEDs	Both
	4 TIME	① Frequency	Inlet Valve	All LEDs	Closed
	5 TIME	0n:35	Dispenser	All LEDs	Closed
	6 TIME	0n:36	Sump Heater (for 10 sec)	All LEDs	Closed
	7 TIME	0n:37	Fan Motor	All LEDs	Closed
	8 TIME	0n:38		All LEDs	Closed
	9 TIME	Sump Temp(°C)	Sump Thermistor	All LEDs	Both
	10 TIME	② Soil level	Soil sensor	All LEDs	Both
	11 TIME	0n:3b / Motor RPM	Wash Pump	All LEDs	Closed
	12 TIME	Steam generator Water level	③H170 ↑ /L170 ↑	All LEDs	Both
	13 TIME	0n:3d	Lower Nozzle (Vario)	All LEDs	Closed
	14 TIME	0n:3E	Upper Nozzle (Vario)	All LEDs	Closed
	15 TIME	0n:3F (RPM, Frequency)	W/Pump+Vario+ Heater (for 1min)	All LEDs	Closed

① Normal water level : 270 ~ 275

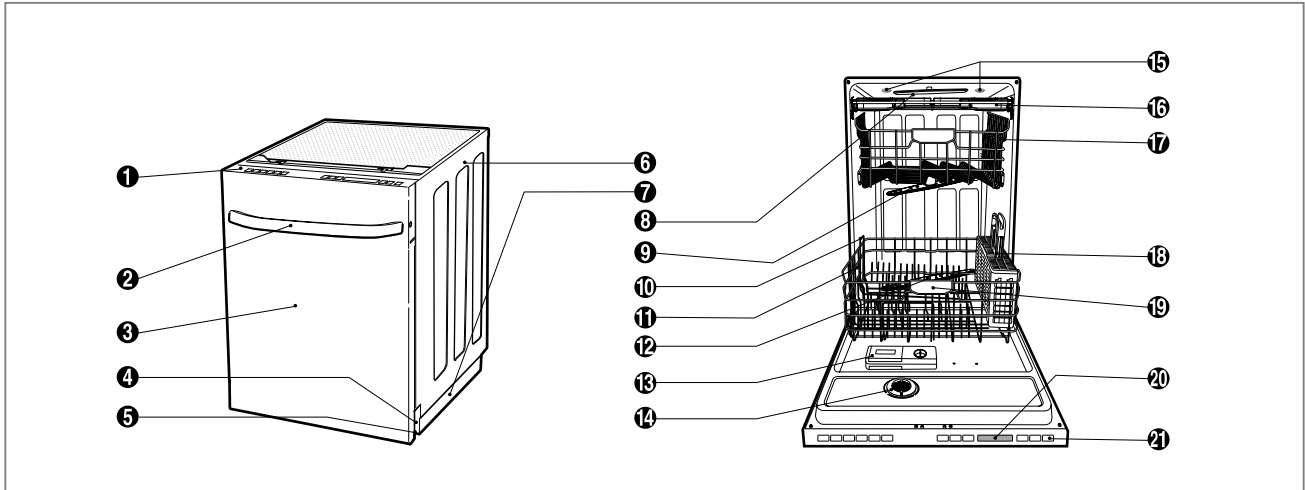
② Pure water : more than 130

③ H: High water level / L: Low water level

※ Steam Demo mode : Steam + Power

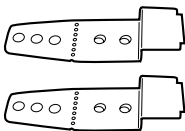
5. PARTS NAME

LDF 9810 Series

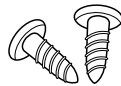


- | | |
|-------------------|-----------------------------------|
| ① Control Panel | ⑫ Lower Spray Arm |
| ② Door Handle | ⑬ Detergent & Rinse Aid Dispenser |
| ③ Front Cover | ⑭ Vapor Vent Cover |
| ④ Lower Cover | ⑮ Tub Lamp (IllumiTub™) * |
| ⑤ Leveling Foot | ⑯ Cutlery Rack |
| ⑥ Side Cabinet | ⑰ Upper Rack |
| ⑦ Base | ⑱ Cutlery Basket |
| ⑧ Top Spray Arm | ⑲ Lower Rack |
| ⑨ Upper Spray Arm | ⑳ Blue LCD Display |
| ⑩ Removable Tines | ㉑ Power Button |
| ⑪ Steam Nozzle | |

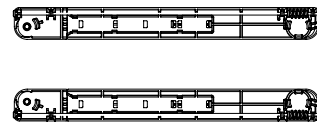
Accessories



INSTALL BRACKET



WOOD SCREW



LEVELING KIT

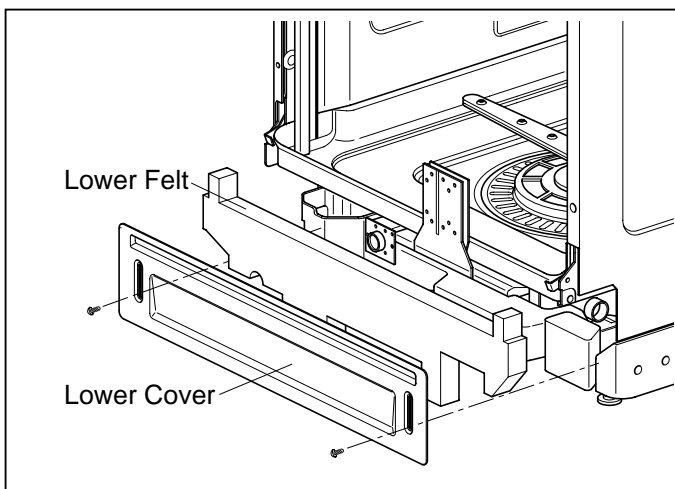
※ The appearance and specifications may be varied without notice according to localities.

7. HOW TO DISASSEMBLE

BEFORE DISASSEMBLING THE DISHWASHER ;

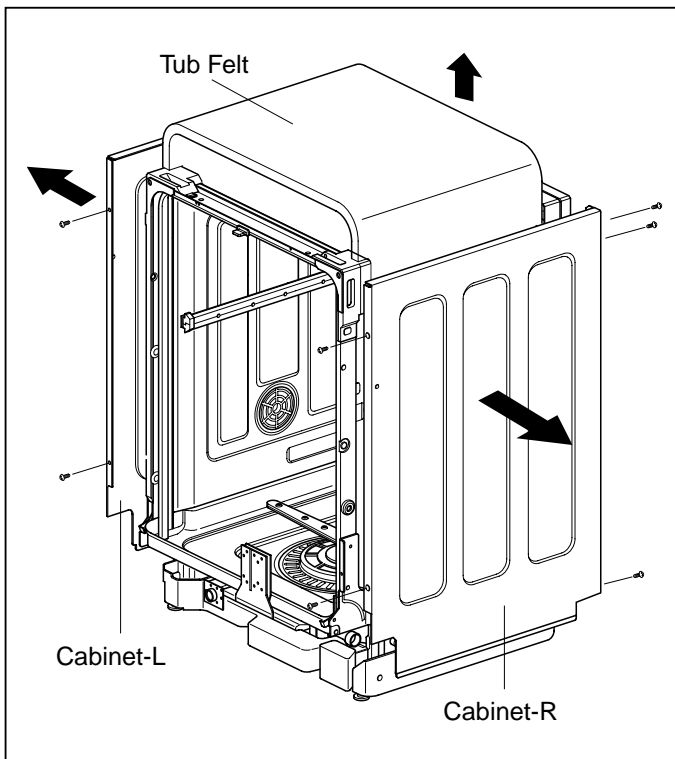
- 1) Remove the cord from electric outlet to avoid electric shock.
- 2) Close the Water Tap (faucet).
- 3) Remove all dishes and items in the dishwasher.
- 4) Remove the Lower Rack and the Upper Rack.
- 5) Remove the inlet hose and drain hose connection to avoid the hose damages.
- 6) Prepare some towels to avoid floor wet by the water left in the dishwasher.

7-1. FULL DISASSEMBLE



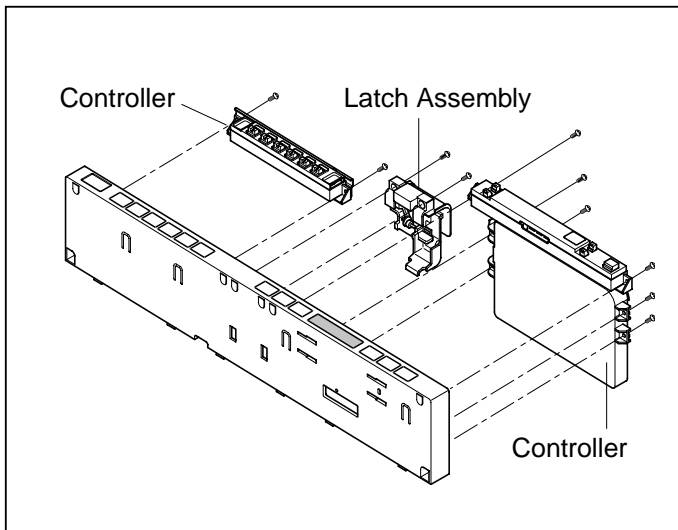
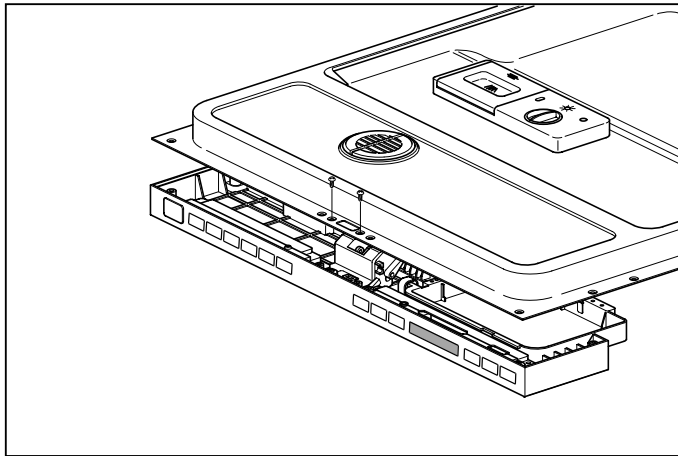
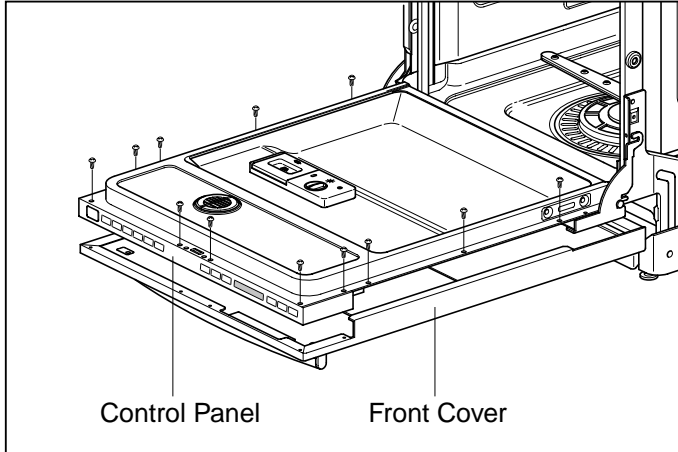
1. Lower Cover and Lower Felt

- 1) Remove the front 2 screws.
- 2) Pull the Felt.
- 3) Remove the Inlet Hose and Power Supply Cable.



2. Cabinet and Tub Felt

- 1) **Cabinet-R**
 - ① Remove front 2 screws.
 - ② Remove rear 3 screws.
- 2) **Cabinet-L**
 - ① Remove front 2 screws.
 - ② Remove rear 3 screws.
- 3) **Tub Felt**
 - ① Pull the Tub Felt.



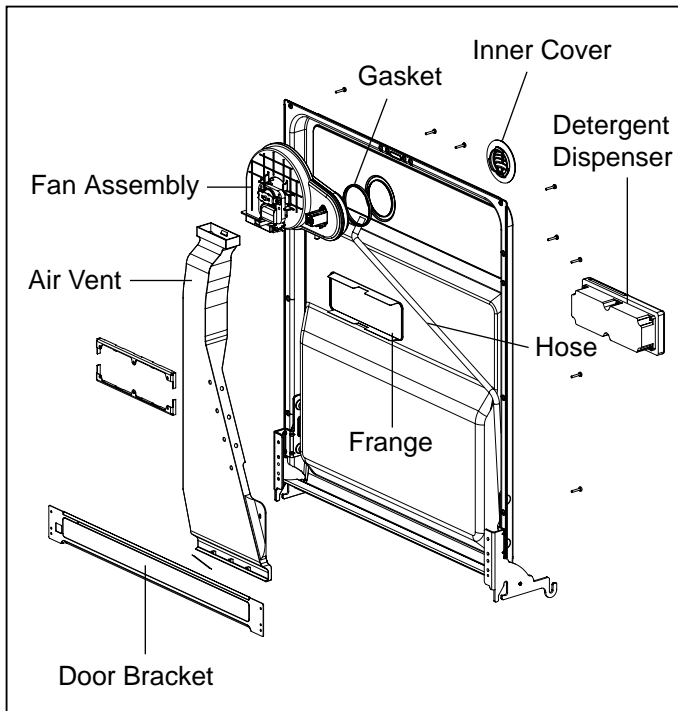
3. Door Assembly (LDF 6810/7811/7810/8812 Series)

1) Front Cover

- ① Open the door.
- ② Remove 12 screws(stainless).

2) Control Panel Assembly

- ① Remove 2 screws(Stainless).
- ② Remove the wire connections.
Be sure the wiring should not be changed in reassembling
- ③ Remove the Latch assembly.
- ④ Remove the Front Display.
- ⑤ Remove 8 screws for Controller.

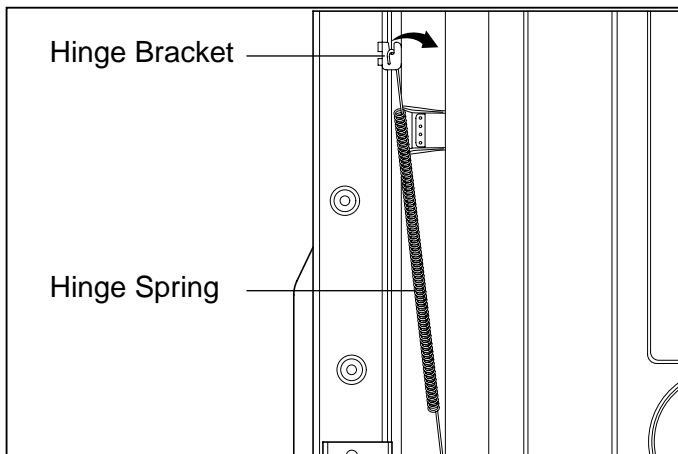


3) Fan Assembly

- ① Open the Door.
- ② Remove 4 screws and a earth screw for Door Bracket.
- ③ Remove the wire connector.
- ④ Remove the Air Duct.
- ⑤ Remove Hose with Clamp.(Some Moels)
- ⑥ Turn the Inner Cover counterclockwise.

4) Detergent Dispenser

- ① Close the door
- ② Remove the wire connections.
- ③ Remove 6 screws with brackets.
- ④ Push the Detergent slowly pulling up the the Frange by Standard Screwdriver.

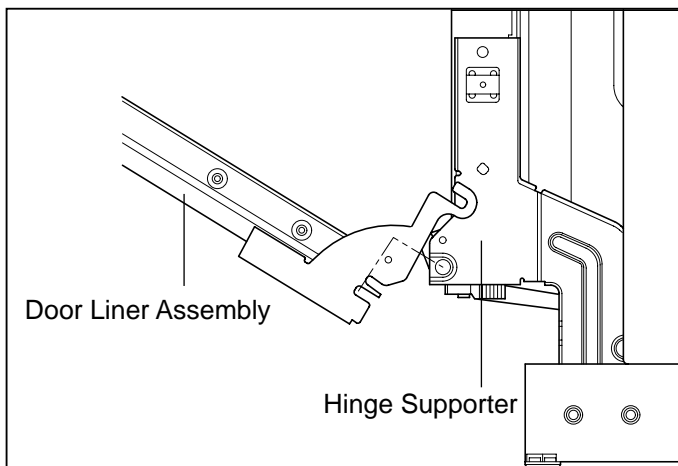


5) Door Spring (Right & Left)

- ① Push the Spring upwards and take it off from the Hinge Bracket.

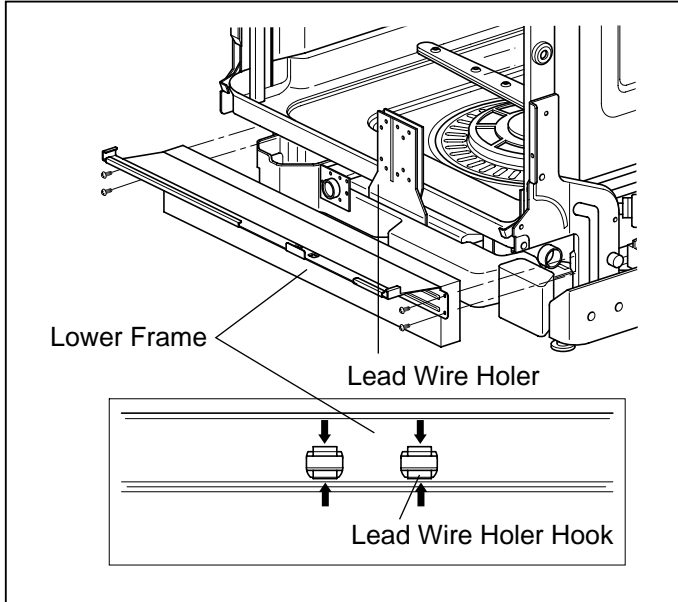
Be careful not to be injured by the sharpedge of Tub.

- ② Take off the Hinge Link from the Hinge.



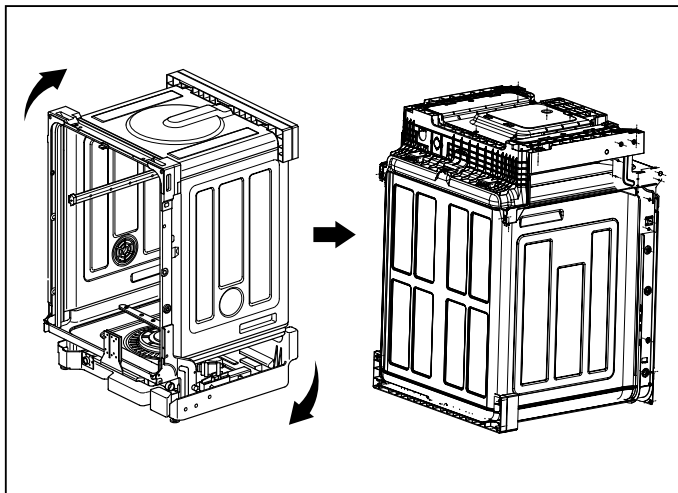
6) Door Liner

- ① Open the door.
- ② Pull the Door Liner and take it off from the Hinge Supporter.

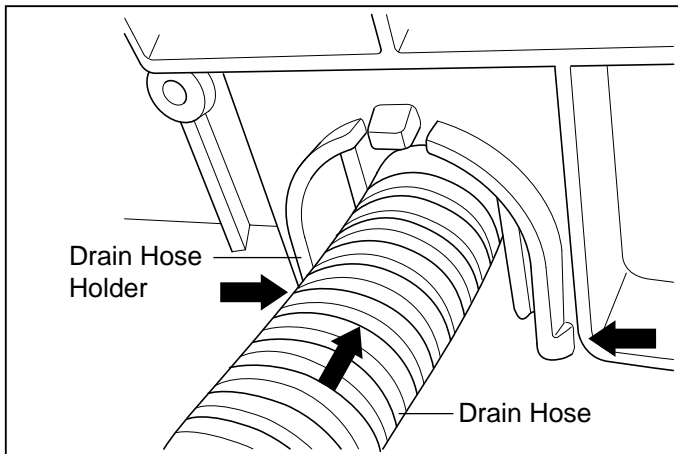


4. Lower Frame

- 1) Press the holder hook as shown in figure.
- 2) Remove 4 screws.

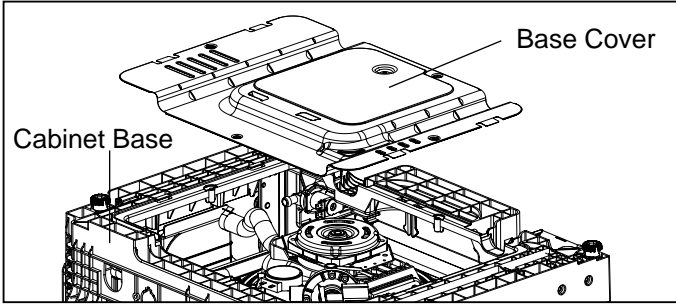


5. Put the Dishwasher upside down.



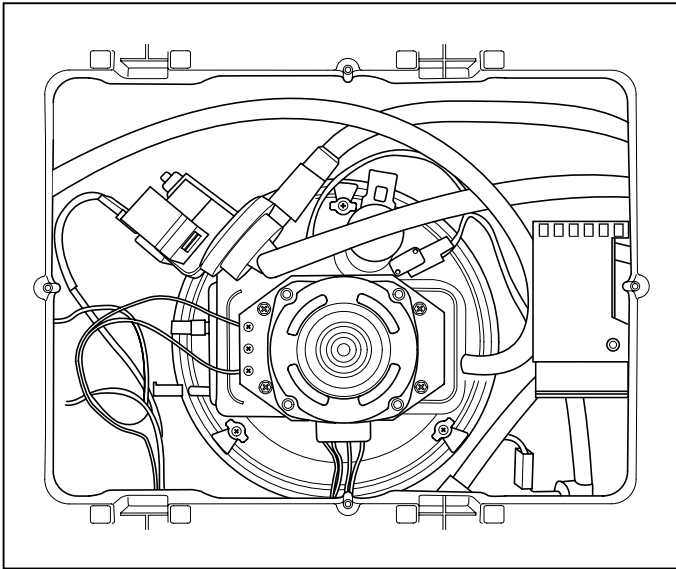
6. Drain Hose Holder

- 1) Press the holder hook as shown in figure.
- 2) Pull the Drain Hose and remove the Drain Hose Holder.



7. Base Cover

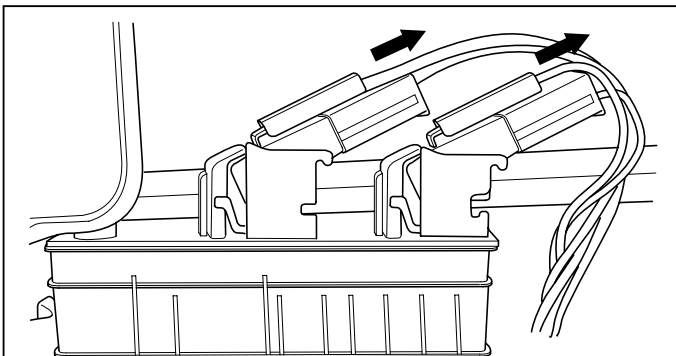
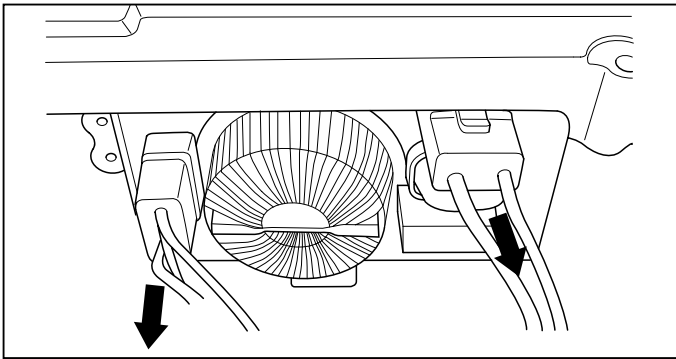
- 1) Remove 2 screws.
- 2) Pull the Base Cover out.

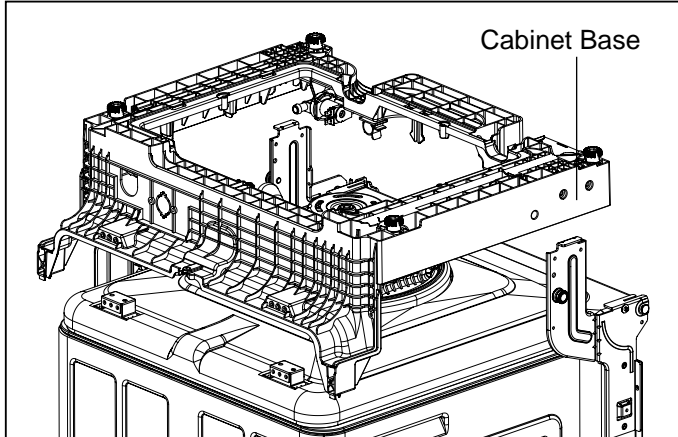


8. Harness & Hose Assembly

- 1) Remove the wiring connections.
- 2) Remove the Hose connections from Sump Assembly.

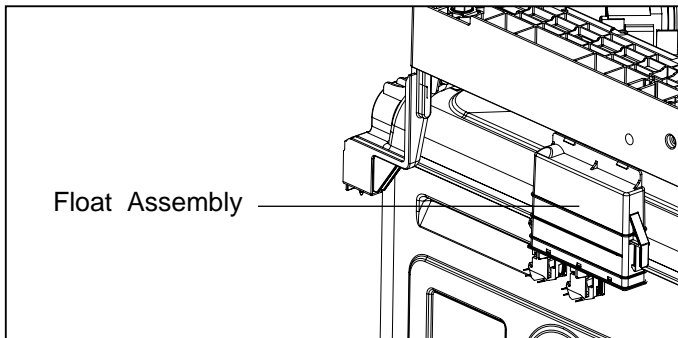
You can see the information of Wiring Diagram at the back of Lower Cover.





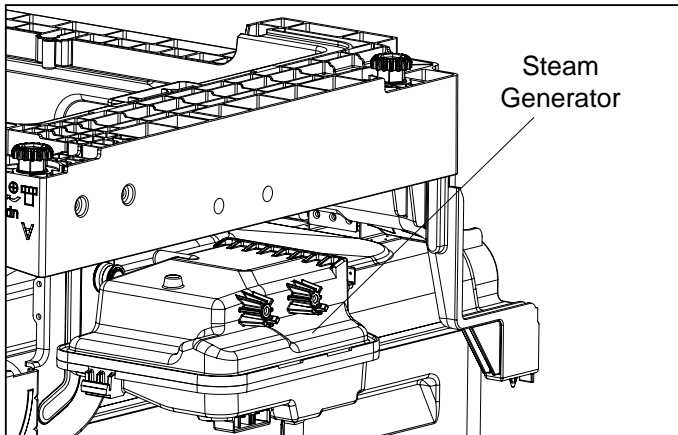
9. Cabinet Base

- 1) Remove 8 screws.
- 2) Lift it upward.



10. Float Assembly

- 1) Press the Float hook.
- 2) Pull the Float Assembly

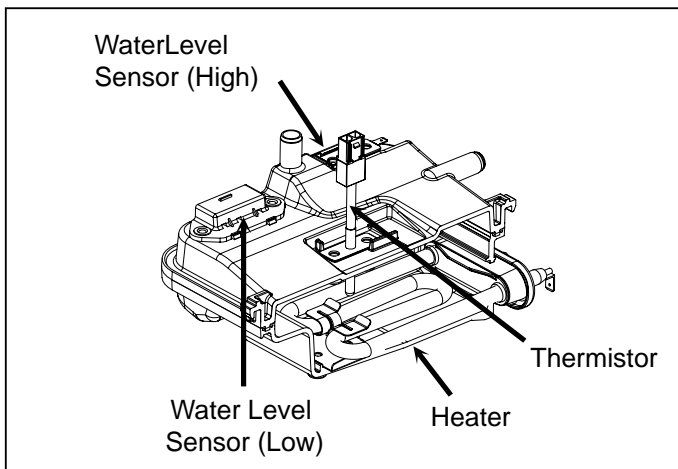


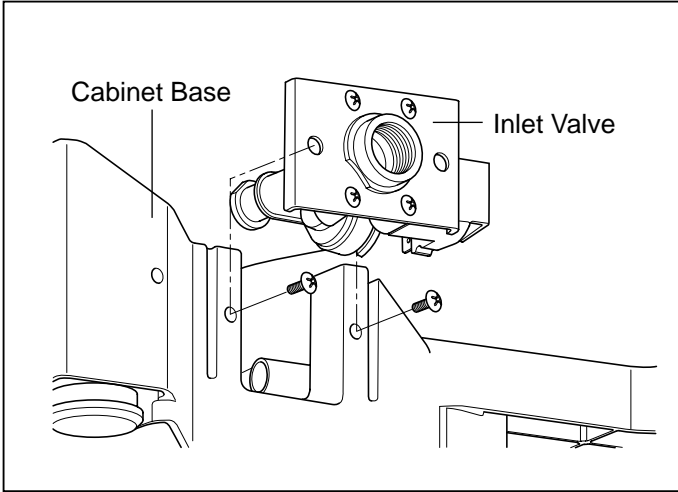
11. Steam Generator

- 1) Disconnect the 3 hoses assembly.
- 2) You can disassemble the Steam generator by removing the 2 screws.

CAUTION

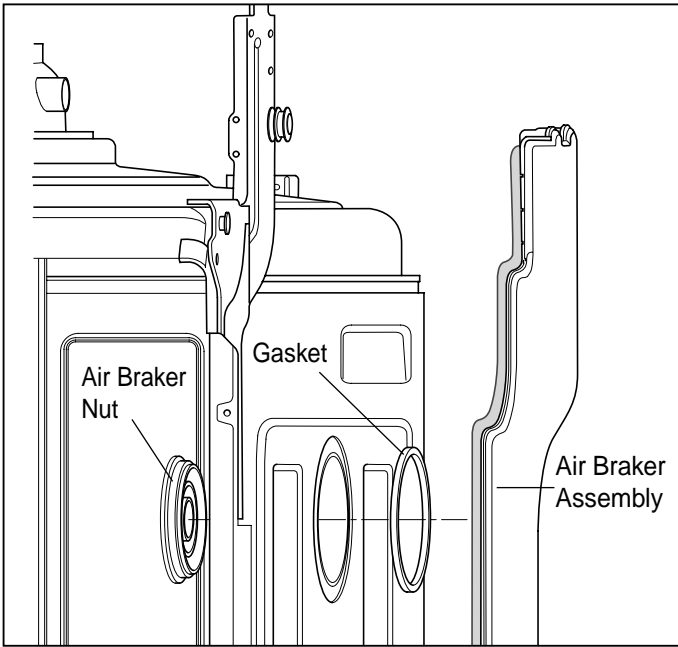
Be cautious in case of the generator is hot temperature.





12. Inlet Valve

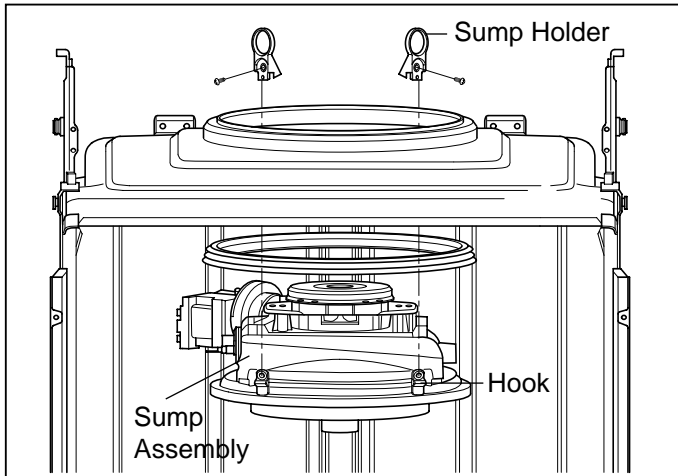
- 1) You can disassemble the Inlet Valve by removing the 2 screws.



13. Air Braker Assembly

- 1) Disconnect the 3 hoses assembly.
- 2) Turn the Air Braker Nut counterclockwise.

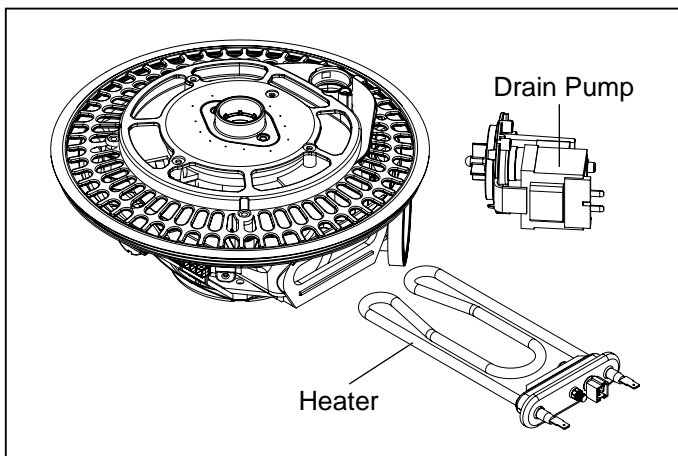
Be careful the o-ring should not be lost.



14. Sump Assembly

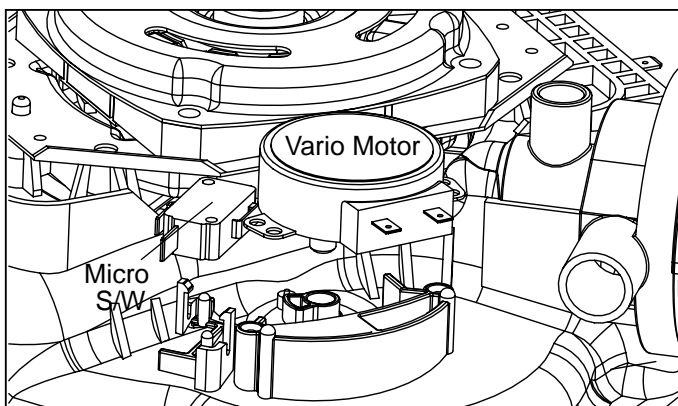
- ① Remove 2 screws.
- ② Remove the Sump Holder and push the Sump Assembly down with pulling aside Hook.

Be careful not to drop the Sump Assembly to the bottom.



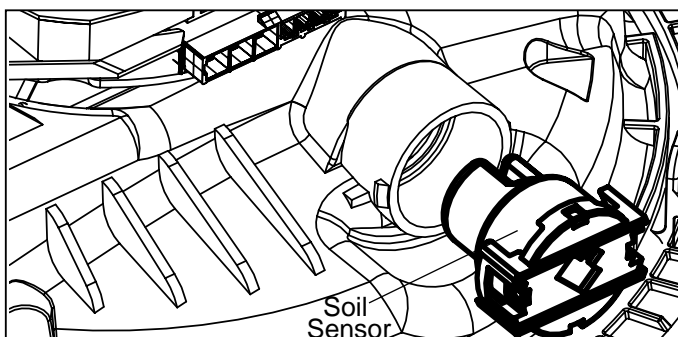
1) Heater & Drain Motor

- ① Pull the Heater out of the Sump after releasing the nut.
- ② Remove 3 screws.



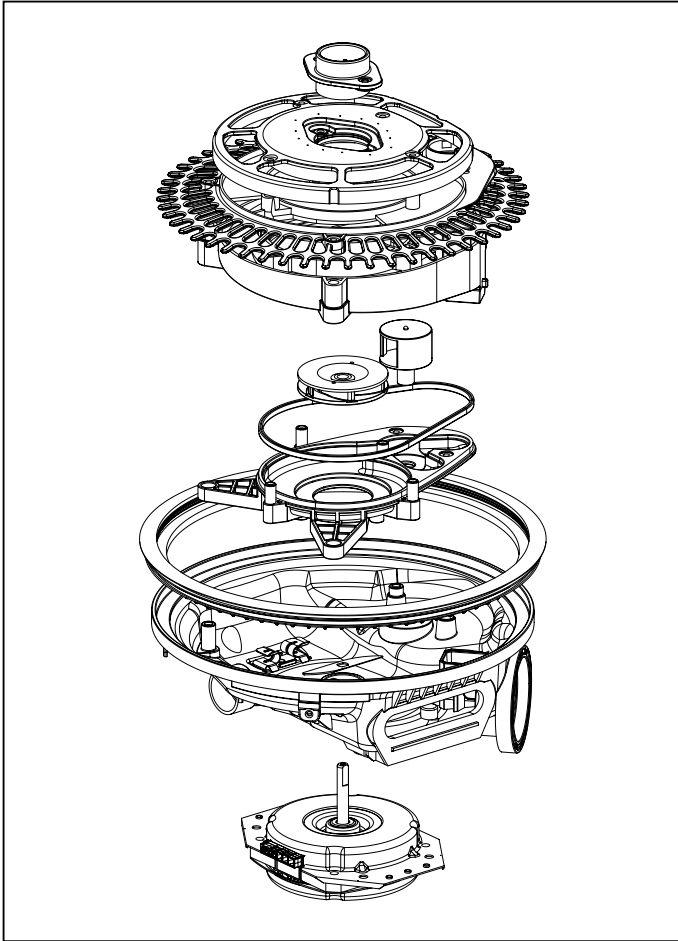
2) Vario Motor

- ① Remove 2 screws for Vario Motor.
- ② Pull the Vario Motor and Micro S/W.



3) Soil Sensor

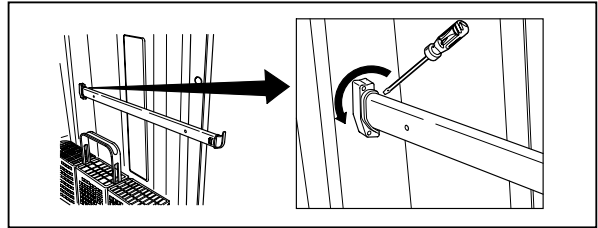
- ① Pull the Soil Sensor.



When you reassemble the Sump Assembly, be careful not to kink, tear and take off the seals.

15. Holder Supporter, Tub Packing and Hinge Supporter Assembly.

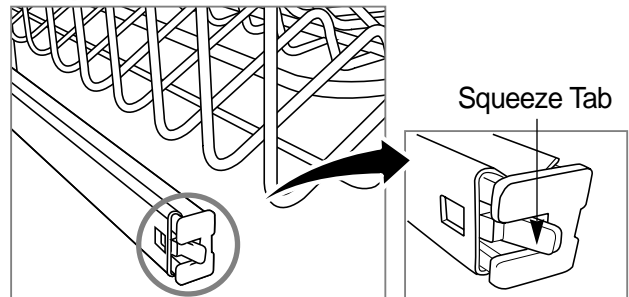
Cutlery Rack Rail



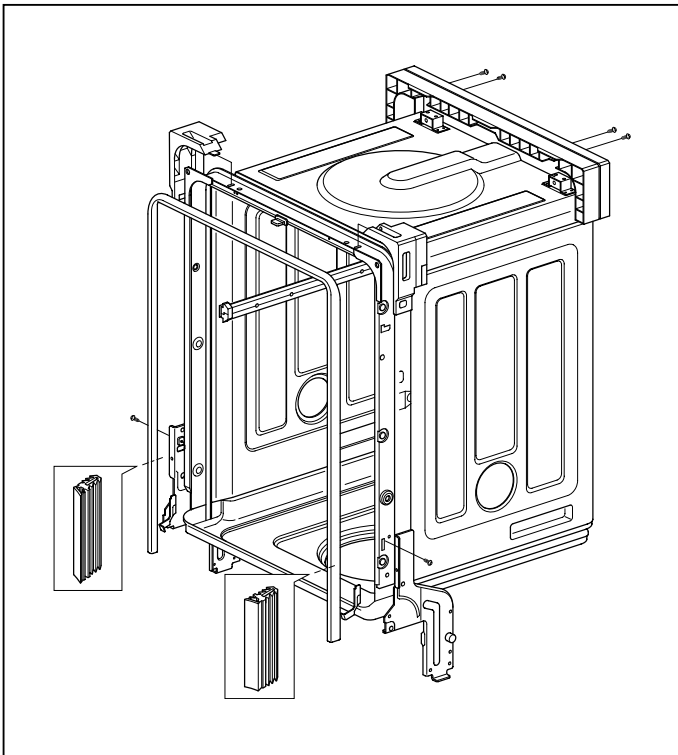
Rotate the screwdriver, after slide it into the gap between Stopper Roller and Rail Roller.

You must take off Stopper Roller(F117) by – screwdriver to change the Rail Assembly. (Stopper Roller could be broken while you are taking off. So you should be careful not to be hurt and have extra stopper rollers ready at servicing at all times)

Upper Rack Rail









1. Pull the upper rack out until it stops.
2. Squeeze the tab of the stopper and pull out. Be careful the upper rack does not fall off the rail while pulling out the stopper.
3. Pull the upper rack out of the slides.



8.TROUBLE SHOOTING METHODS

A. TROUBLE SHOOTING ACCORDING TO DISPLAYED ERROR MESSAGE

ERROR MESSAGE	POSSIBLE CAUSE FOR ERROR OCCURRENCE	REMEDY
<p>INLET ERROR</p>  <p>displayed</p> <p>Condition Not reached to the normal water level in spite of 10 min. water supply</p>	<ul style="list-style-type: none"> • The Water Supply Tap is closed. • The Water Supply is shut off. • The Inlet Hose is kinked. • The Water Pressure is very low. (below 10 psi) • Inlet Valve is OK? • The filter of Inlet Valve is clogged by impure water. • The Hall sensor is OK? • The Impeller of Air Guide is bound. 	<ul style="list-style-type: none"> • Take action on Water Supply device. • Measure the electric resistance of Inlet Valve. (950-1300 Ω) • Clean the filter of Inlet Valve. • Check the frequency of Inlet Water by the Test Mode. • Replace the Air Braker.
<p>DRAIN ERROR</p>  <p>displayed</p> <p>Condition Not fully drained out in spite of 5 min. drain operation</p>	<ul style="list-style-type: none"> • The Drain Hose kinked or blocked. • Wiring connection is OK? • The drain outlet of sump is blocked. • The Drain Pump/Motor or circuit is troubled. 	<ul style="list-style-type: none"> • Remove the cause of kink or block. • Check the wiring connection. • Measure the electric resistance of Drain Motor. (20-40 Ω) • Replace the Drain Motor or repair the Circuit.
<p>LEAKAGE ERROR</p>  <p>displayed</p> <p>Condition The excessive RPM of Washing Motor happened during Wash cycle due to water leakage.</p>	<ul style="list-style-type: none"> • Water leakage in Hose connections. • Water is leaked by damages. • The Motor Water Seal leakage of Sump assembly. • The height of Drain Hose connection (sink-Drain Hose) is not over 20". • Impeller of the Washing Pump is worn away. 	<ul style="list-style-type: none"> • Replace the connections of Hose. • Check the point of damages and repair or replace the related parts. • Read the Installation Instructions (page 9) and fix it to the recommended Height. • Replace the Impeller of the Washing Pump.

ERROR MESSAGE	POSSIBLE CAUSE FOR ERROR OCCURRENCE	REMEDY
<p>EXCESS ERROR</p>  <p>displayed</p> <p>Condition</p> <p>Excessive water is supplied than normal water level.(Automatically drain Pump operated.)</p>	<ul style="list-style-type: none"> • The Inlet Valve is troubled. • The Controller is troubled. 	<ul style="list-style-type: none"> • Replace the Inlet Valve. • Repair or replace the Controller.
<p>THERMAL ERROR</p>  <p>displayed</p> <p>Condition</p> <p>The resistance of thermistor not normally out put.</p>	<ul style="list-style-type: none"> • The Inlet Water Temperature is very high. (over 194°F) • Wiring connection is OK? • The Thermistor is OK? 	<p>Check the temperature. (Test Mode)</p> <ol style="list-style-type: none"> 1) If the temperature is displayed, <ul style="list-style-type: none"> ① adjust the Inlet Water Temperature to 120°F. 2) If the temperature is not displayed, <ul style="list-style-type: none"> ① check the wiring connection. ② check the electric resistance of Thermistor. (11~14k Ω at 77°F) ③ Replace the PCB.
<p>MOTOR ERROR</p>  <p>displayed</p> <p>Condition</p> <p>The Motor is working abnormally.</p>	<ul style="list-style-type: none"> • Wiring connection is OK? • The Impeller of Washing Pump is locked. • The rotor of Washing Motor is locked. • The Blade is locked. 	<ul style="list-style-type: none"> • Check the wiring connection. • Replace the cause of restriction. • Replace the Washing Motor. • Replace the PCB.

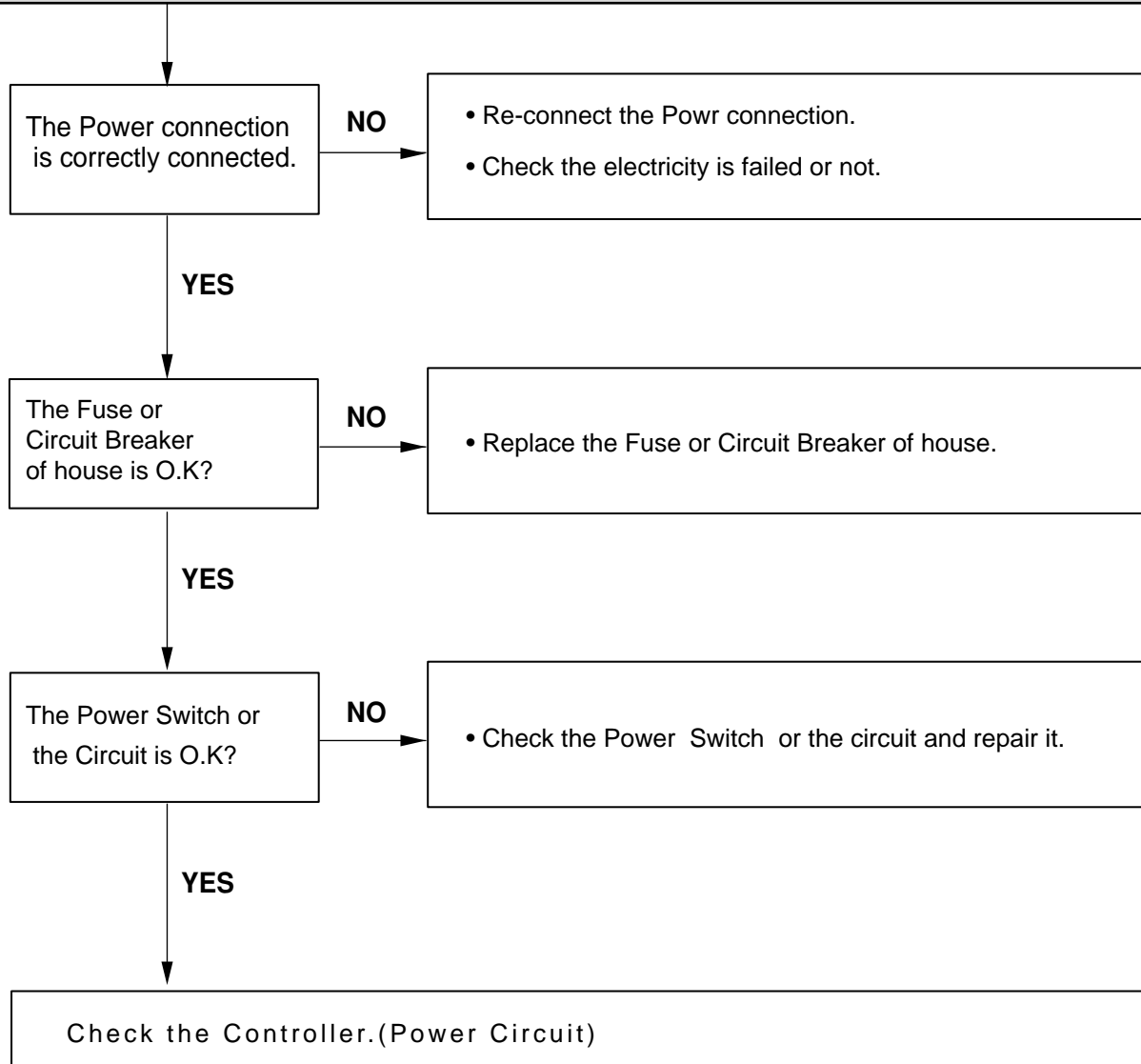
B. STEAM GENERATOR ERROR MESSAGE

- Steam Generator Error mode is not displayed in normal condition and it can be confirmed by following additional operation.
- To confirm steam generator error, press the **DELAY START** and **RINSE ONLY** buttons simultaneously.
- When Steam Generator is out of order, dishwasher operates the selected cycle without steam.

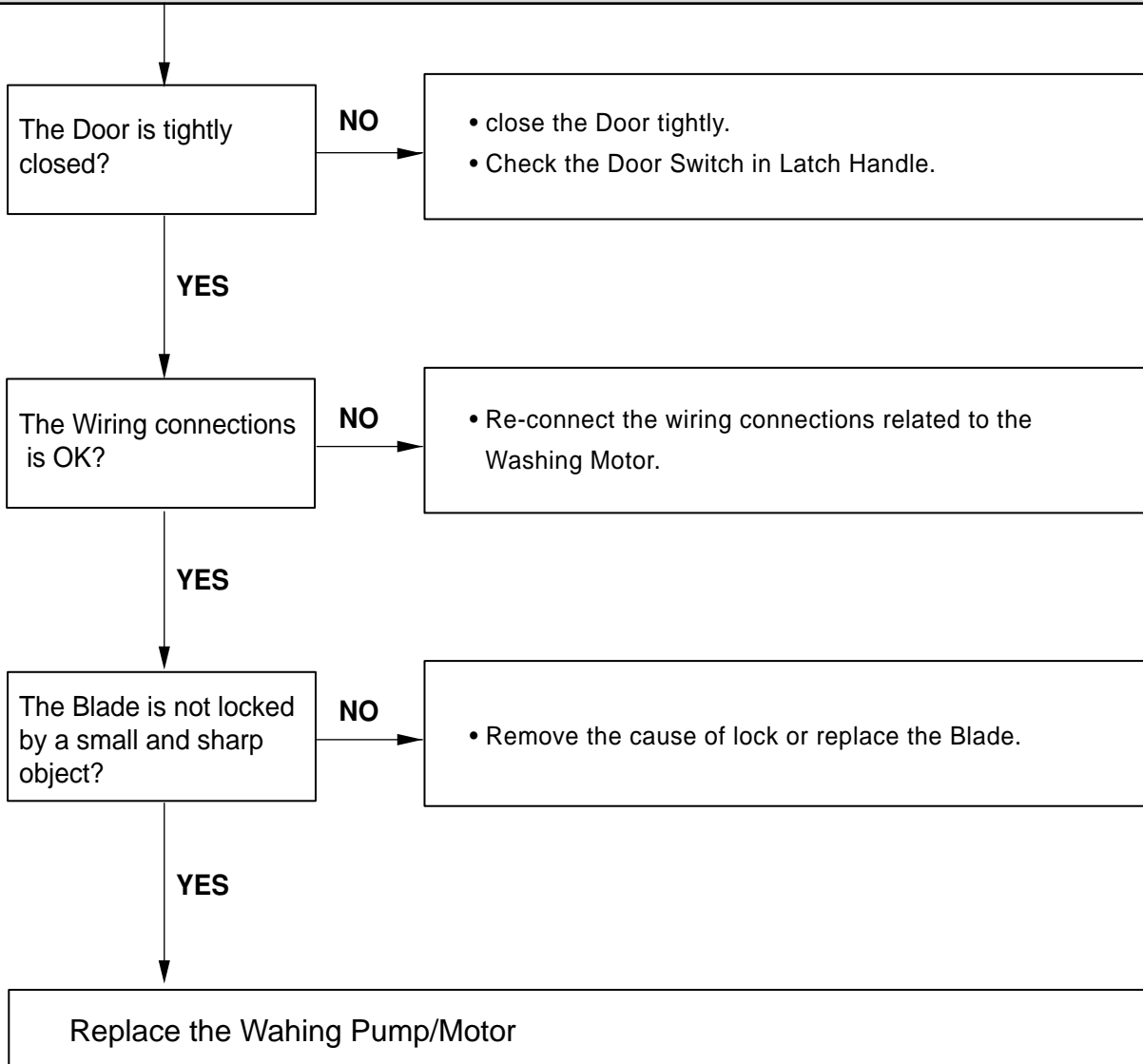
ERROR MESSAGE	CONDITION	REMEDY
00 : E0	<ul style="list-style-type: none">• The normal condition	
00 : E1	<ul style="list-style-type: none">• The generator heater temperature is high. (over 239°F)	<ul style="list-style-type: none">• Check the water level sensor and thermistor check.
00 : E2	<ul style="list-style-type: none">• The water leveling sensor is working abnormally.	<ul style="list-style-type: none">• Check the wiring connection and water level sensor.
00 : E3	<ul style="list-style-type: none">• Not reached to the normal water level.	<ul style="list-style-type: none">• Check the inlet valve and sensor connection.
00 : E4	<ul style="list-style-type: none">• The generator heater temperature is low. (lower than 158°F)	<ul style="list-style-type: none">• Check the heater and thermistor.
00 : E5	<ul style="list-style-type: none">• The normal condition	

C. TROUBLE DIAGNOSES AND REPAIR BY SYMPTOM

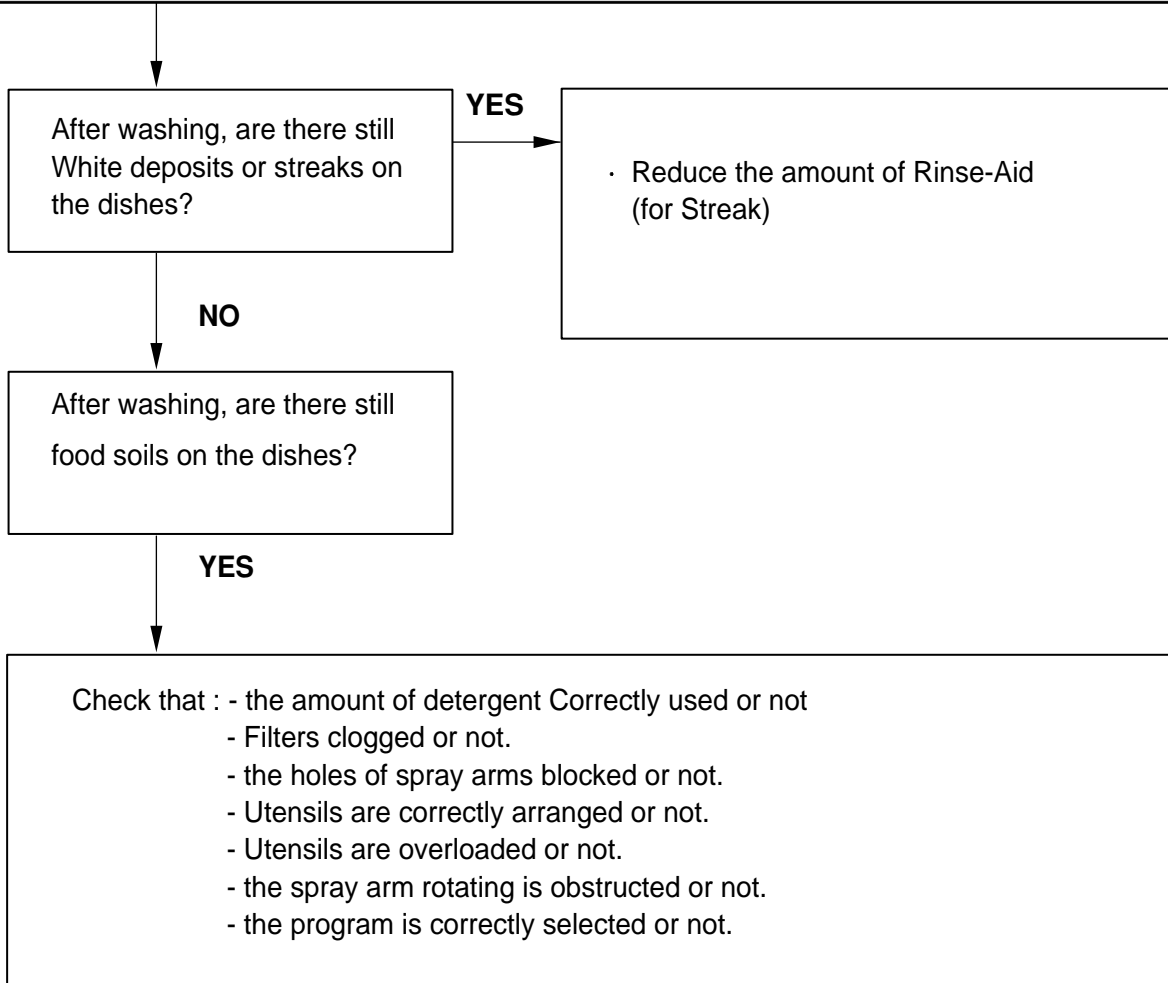
No Power on when the power button pressed.



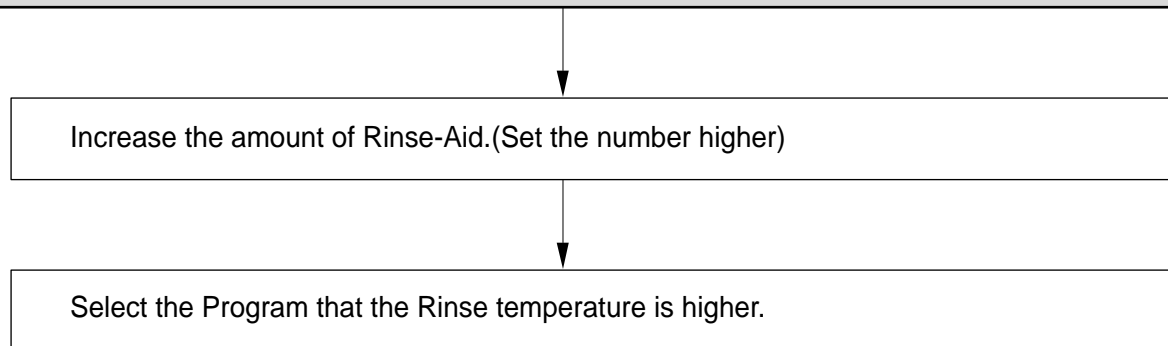
The Wash Pump/Motor does not run.



Washing Results are not Satisfactory



Dry Results are not satisfactory



Power Button not automatically off after operation.

Check the button is blocked by foreign materials.

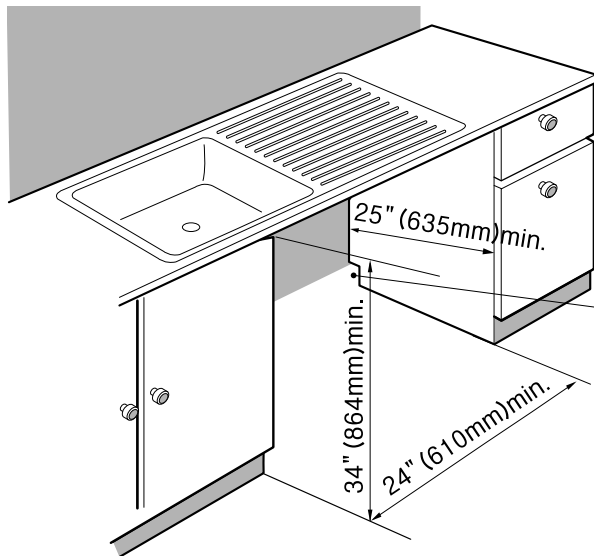
Check the Power Switch.(Replace it, if necessary.)

Check the Controller.(Replace it, if necessary.)

9. INSTALLATION INSTRUCTION

Step 1: PREPARE CUPBOARD OPENING

1. This dishwasher is designed to fit a standard dishwasher opening as shown below.
2. Select a location as close to sink as possible for easy connections to water and drain lines.
3. The dishwasher should not be installed more than 10 ft. (3m) from the sink for proper drainage.
4. If dishwasher is to be installed in a corner, a minimum of 2 in. (50mm) is required between the dishwasher and an adjacent a wall.



If dishwasher will sit directly on subflooring, subfloor should be sealed with a waterproof paint or sealer to prevent damage from steam.

Drill a 1-1/2" (38mm) dia hole or cut out for drain hose, inlet hose and electrical cables on either side.

approx. 4" (100mm, W) X 4" (100mm, H)
These openings must be within 4" (100mm) from the floor and 1-5/8" (40mm) from the back wall. If there is a floor in the cabinet under the sink, it will also be necessary to drill or cut through the floor to connect the water and drain under the sink.

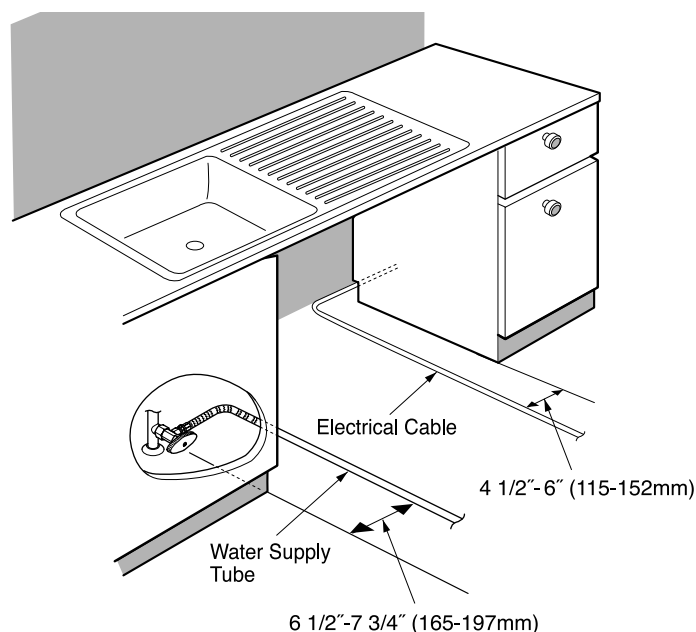
- Ensure the floor under the dishwasher is at the same level as the rest of the room to allow for any service requirements.

Step 2: PREPARE THE ELECTRICAL WIRING

⚠ WARNING

For personal safety, remove house fuse or open circuit breaker before installation. Do not use an extension cord or adapter plug with this dishwasher. Electrical and grounding connections must comply with the national electrical code/provincial and municipal code and/or other local codes.

1. This appliance must be operated with correct voltage as shown in this manual and on the rating plate, and connected to an individual, properly grounded branch circuit, protected by time delay fuse. Wiring must be 3 wires including ground.
2. The wiring or cord should be in an accessible location adjacent to, and not behind the dishwasher and within 4 ft. (1.2m) of the dishwasher side.
3. The wiring or cord must be grounded properly, if in doubt, have it checked by a qualified electrician. No other appliance shall be connected to the same outlet by a double adapter or similar plug.
4. The wiring or cord must be oriented as shown in Figure A below.
5. Check the dishwasher for any damage before trying to install it.
6. Make sure water line and Electrical line are oriented in the bottom channels as shown in the figure below.
If you find any damage to the dishwasher, Please contact your dealer or builder immediately.

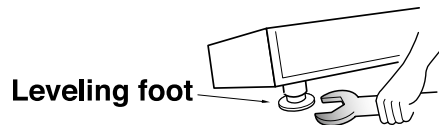


Step 3: PREPARE THE WATER SUPPLY CONNECTION

1. This dishwasher may be connected to either hot or cold water. If the water can not be maintained below 149°F (65°C), the dishwasher must be connected to cold water.
2. When connecting the dishwasher water line, sealing tape or compound should be used to avoid leaks.
3. When connecting the dishwasher water line, the house supply should be shut off.
4. The Water Supply Tube must be oriented as shown in Figure A on page 6.

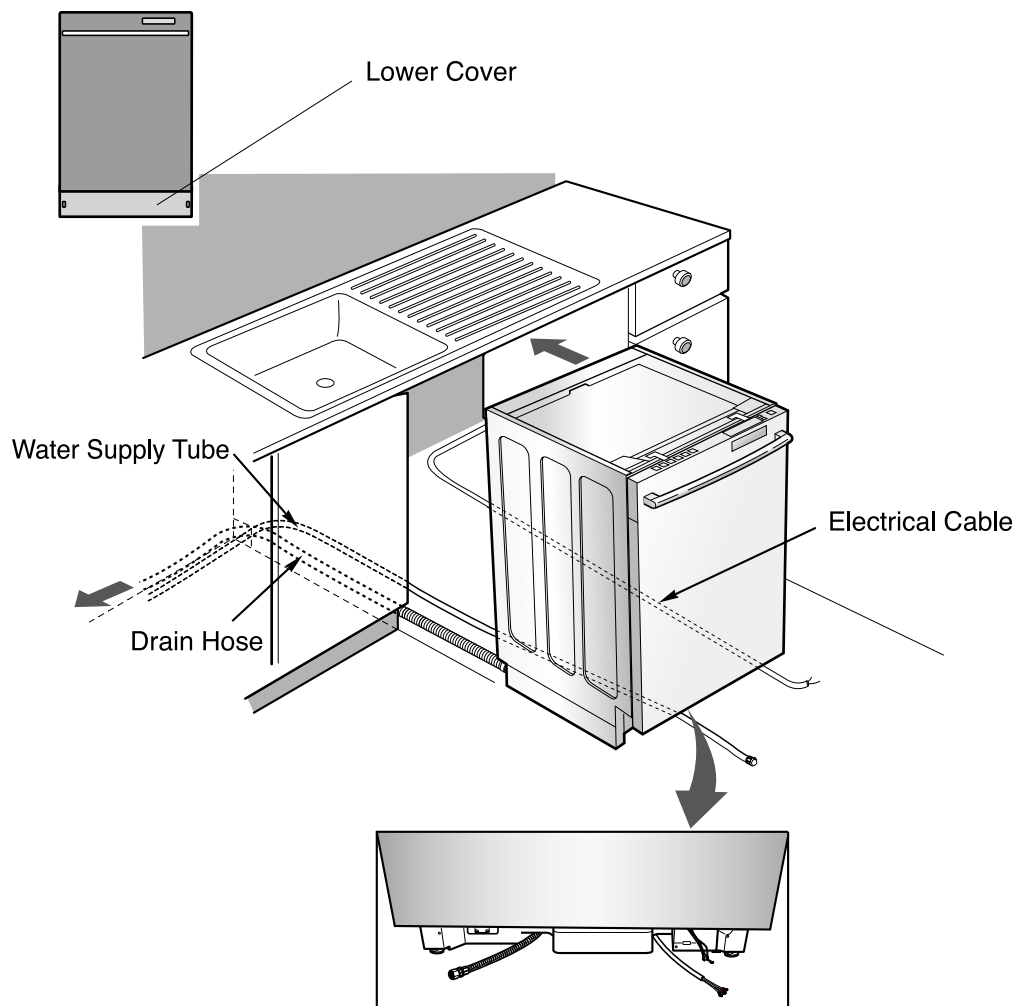
Step 4: PREPARE DISHWASHER FOR INSTALLATION

1. Adjust the legs to the required height to fit properly under the countertop as shown below.
2. Check the level of dishwasher by using level.



Step 5: INSTALL THE DISHWASHER IN CUPBOARD

1. Remove the Lower Cover and orient dishwasher as shown below.
2. Before sliding the dishwasher into the cupboard opening, make all necessary height adjustments using the legs.
3. Slide the dishwasher into the cabinet opening carefully. Make sure that the drain hose inside the cabinet is not kinked.
4. Follow the instruction as in Figure B.



Step 6: DRAIN LINE CONNECTION

1. If the end of the drain hose does not fit to the drain line, use an adapter (not supplied) that must be resistant to heat and detergent and may be obtained from a plumbing shop.
2. There are 2 typical connections as shown in Figures C & D.
 - ① There may be other options than shown here for connection the drain hose. The drain connection must meet local plumbing regulations.
 - ② The S trap spigot must be drilled out cleanly and free of obstruction to its maximum internal diameter, if used for drainage.
 - ③ To prevent syphoning, one of the following instruction methods must be followed:

Figure C: Connection to Disposer or waste Tee.

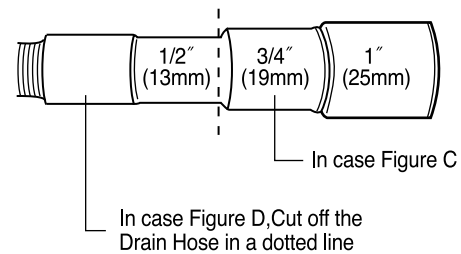
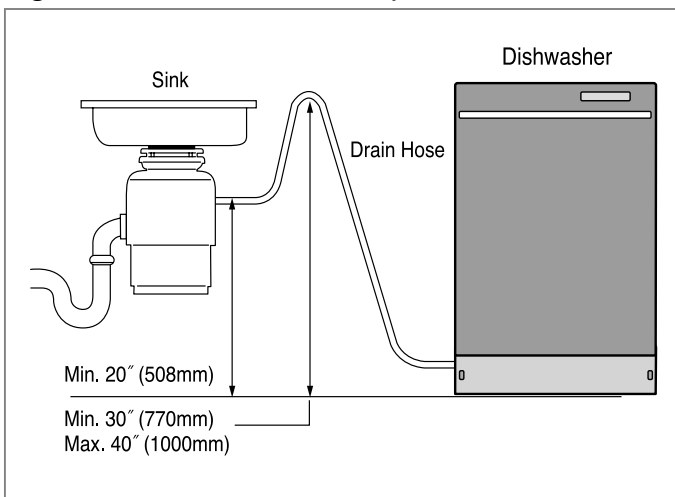
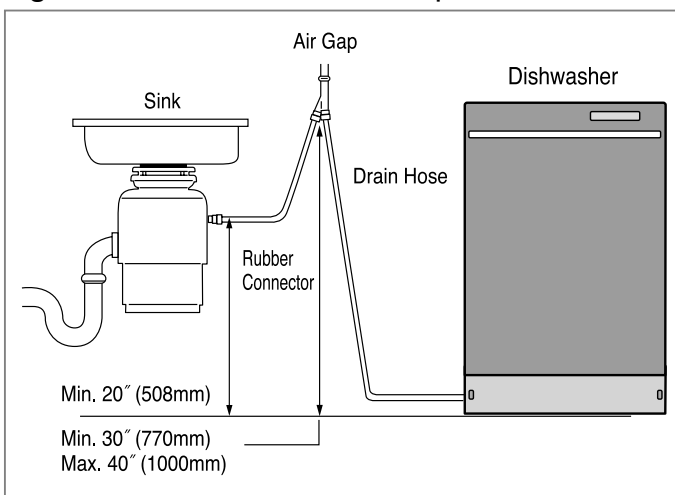


Figure D: Connection to Air Gap.

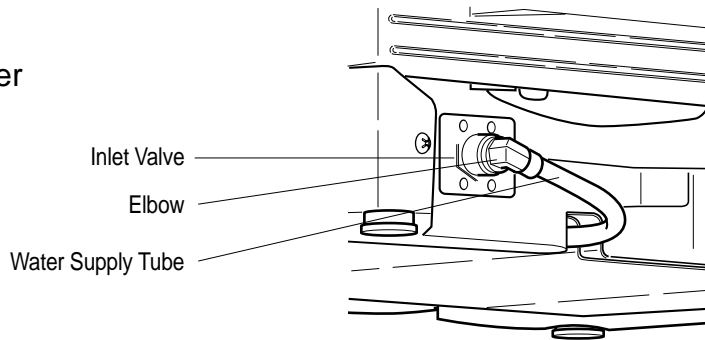


Drain Requirements

- Follow local codes and ordinances.
- Do not exceed 10 ft. (3m) distance to drain.
- Do not connect drain lines from other devices to the dishwasher drain hose.

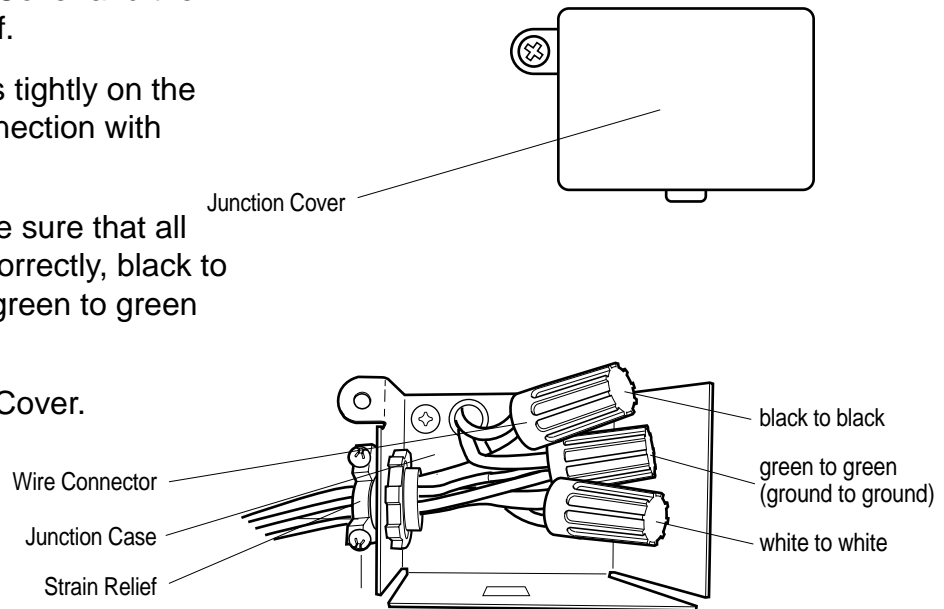
Step 7: WATER SUPPLY CONNECTION

1. When connecting, sealing tape or sealing compound should be used to avoid water leaks.
2. Before connecting, turn off the water supply.
3. After fitting the Elbow into the Inlet Valve, slide the Flexible Stainless Tube or Copper Tube into the Elbow.
4. Tighten the nut and make sure that the line is not kinked or sharply bent.



Step 8: ELECTRICAL POWER CONNECTION

1. Before beginning, turn off electrical power to the unit at the circuit breaker.
2. Remove the Junction Cover and then Install the Strain Relief.
3. Twist Wire Connectors tightly on the wires. Wrap each connection with Electrical tape.
4. Check again and make sure that all wires are connected correctly, black to black, white to white, green to green (ground to ground).
5. Replace the Junction Cover.

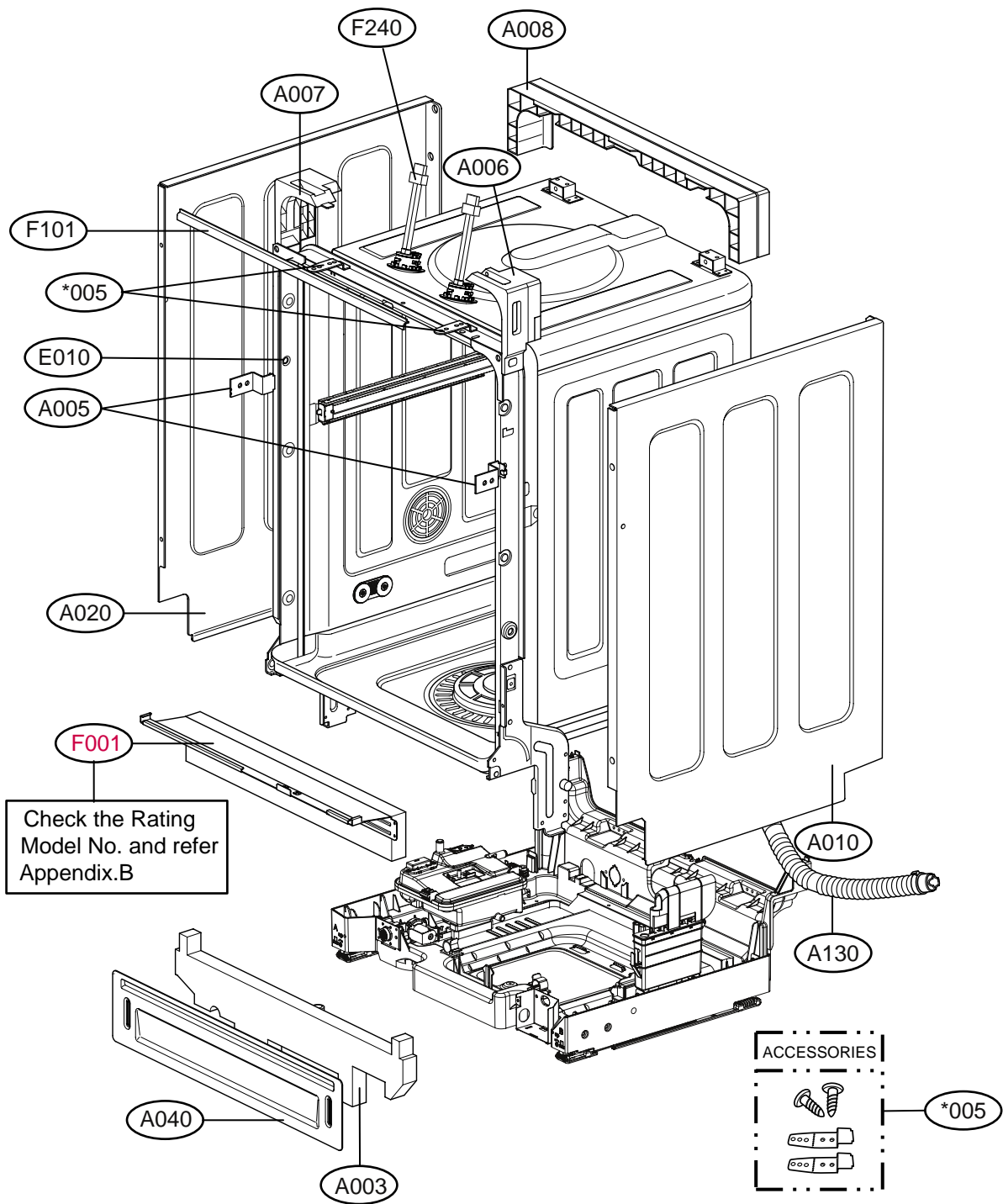


Step 9: FINAL CHECKS

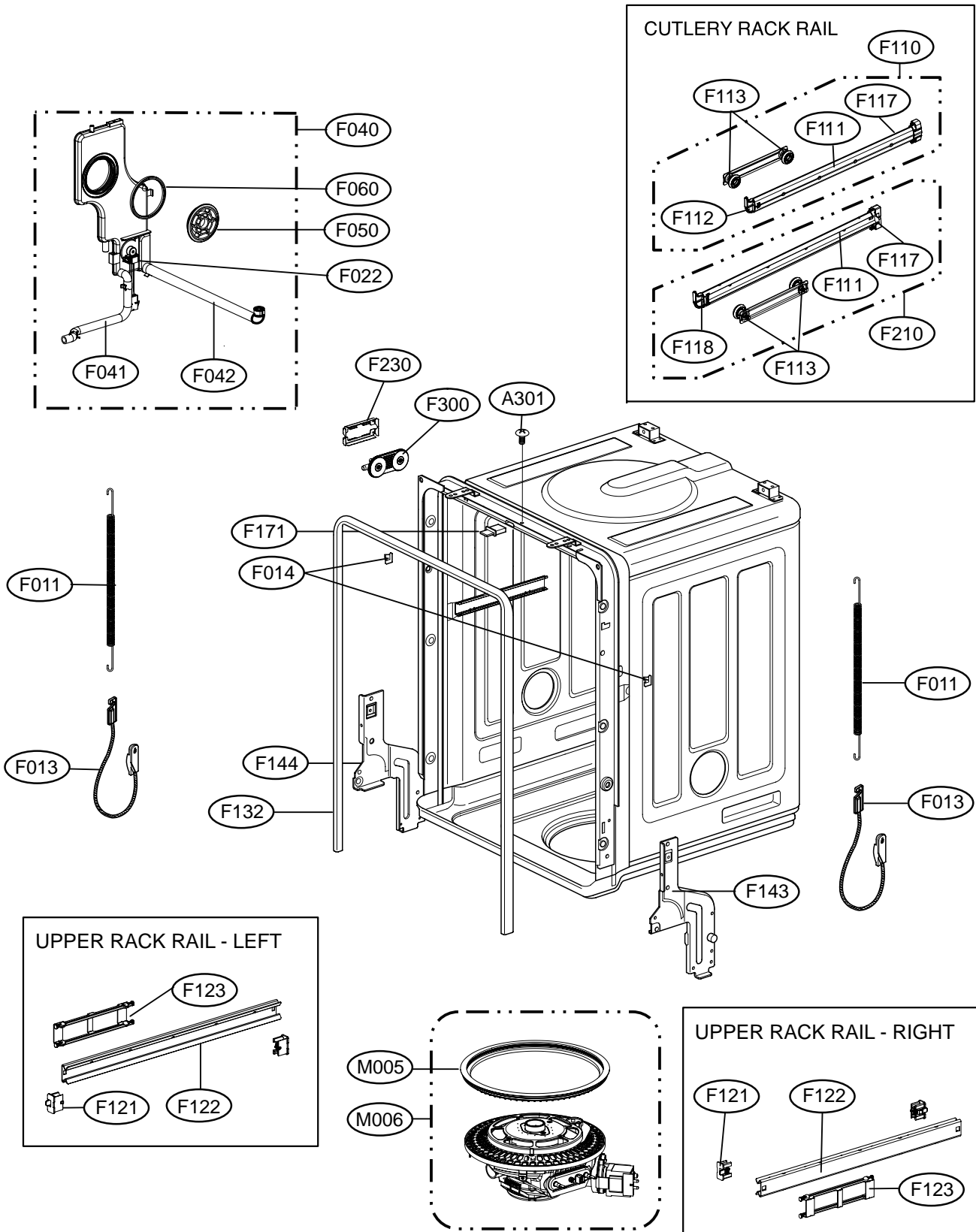
1. Turn electrical power back on at the circuit breaker.
2. Turn house water supply back on.
3. Operate the dishwasher through one cycle (Quick cycle is recommended) to check for water leaks and operating conditions.
4. Replace the Lower Cover.

10. EXPLODED VIEW

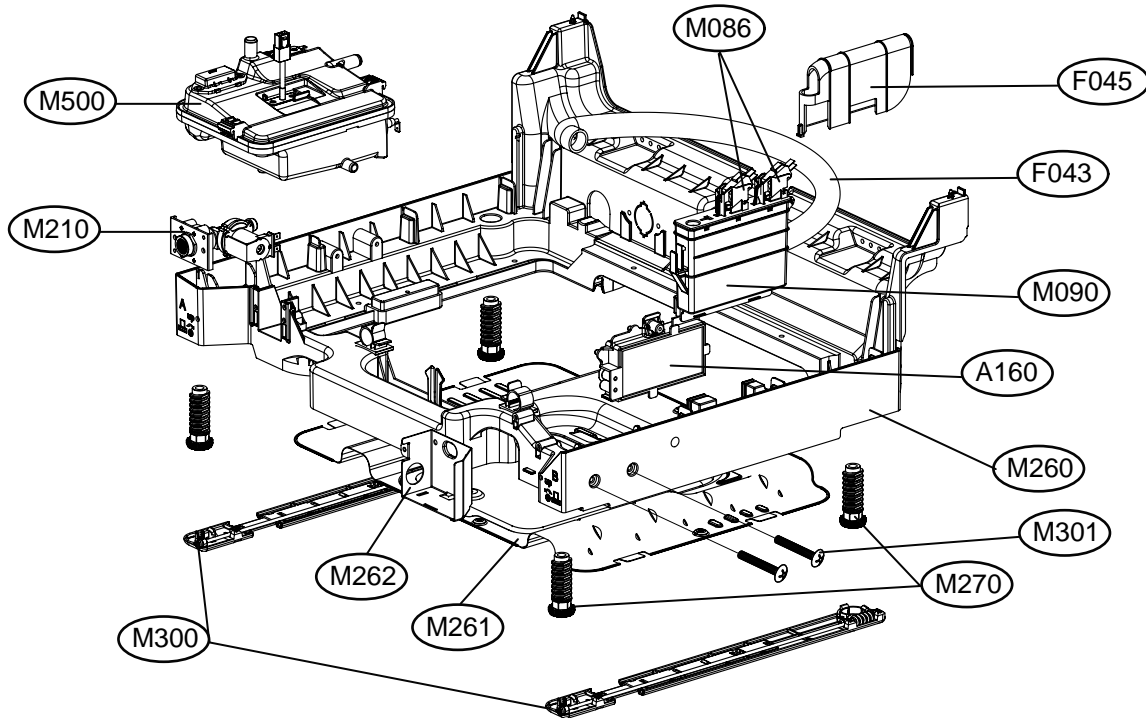
EXPLODED VIEW



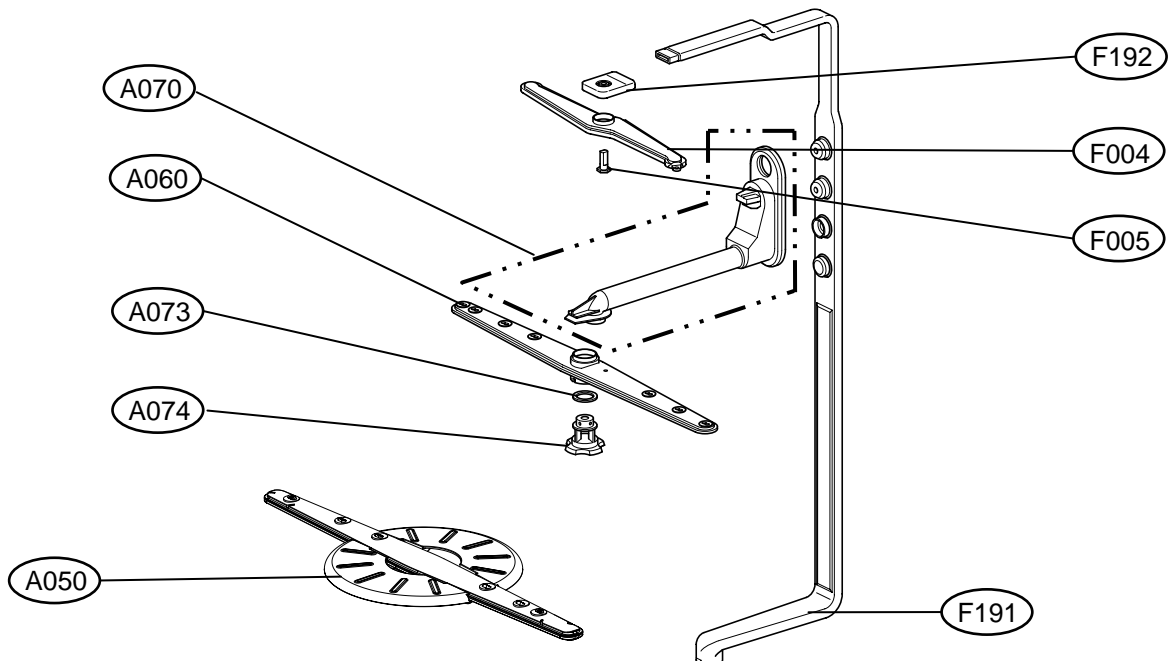
EXPLODED VIEW - TUB ASSEMBLY



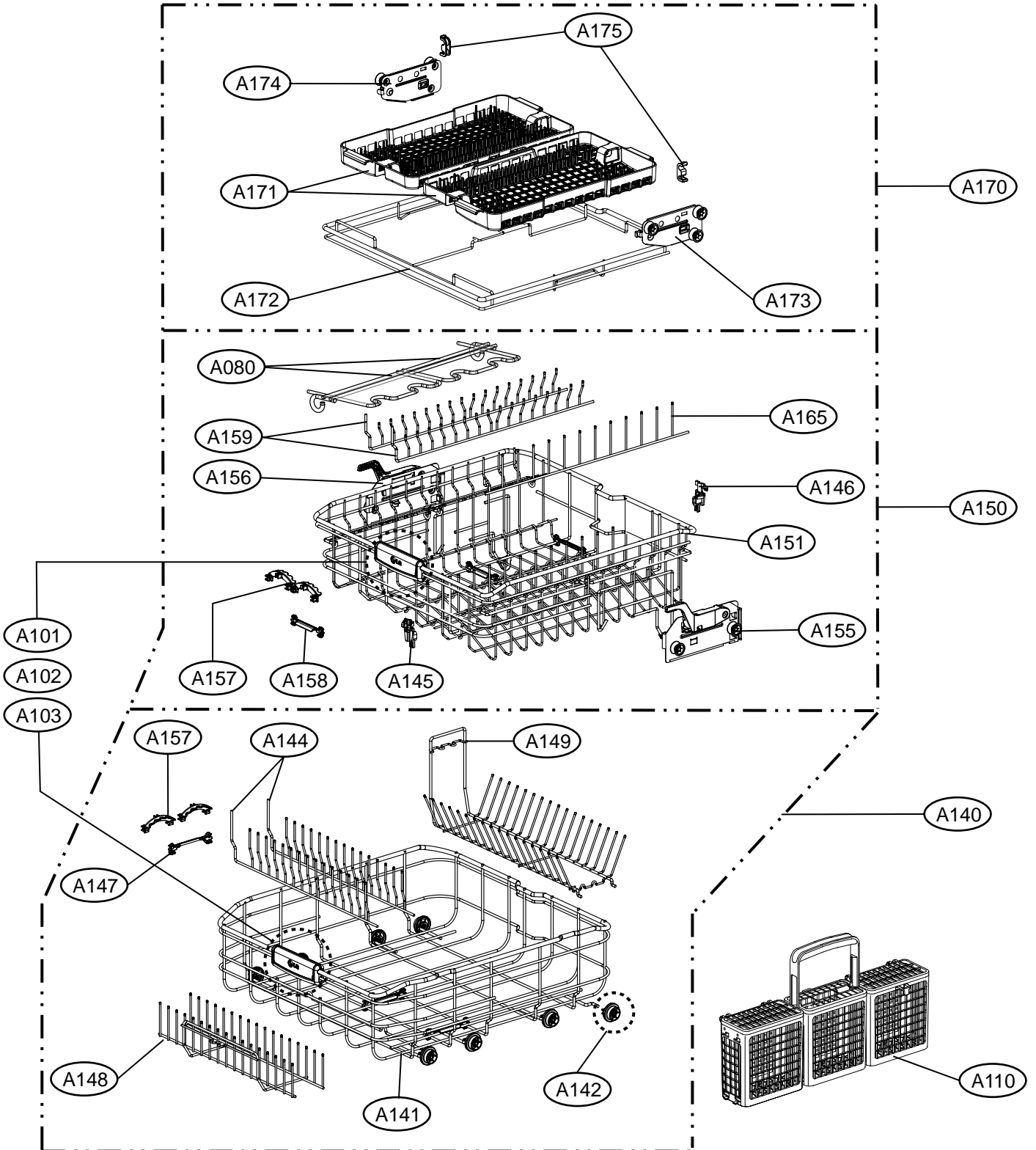
EXPLODED VIEW - BASE ASSEMBLY



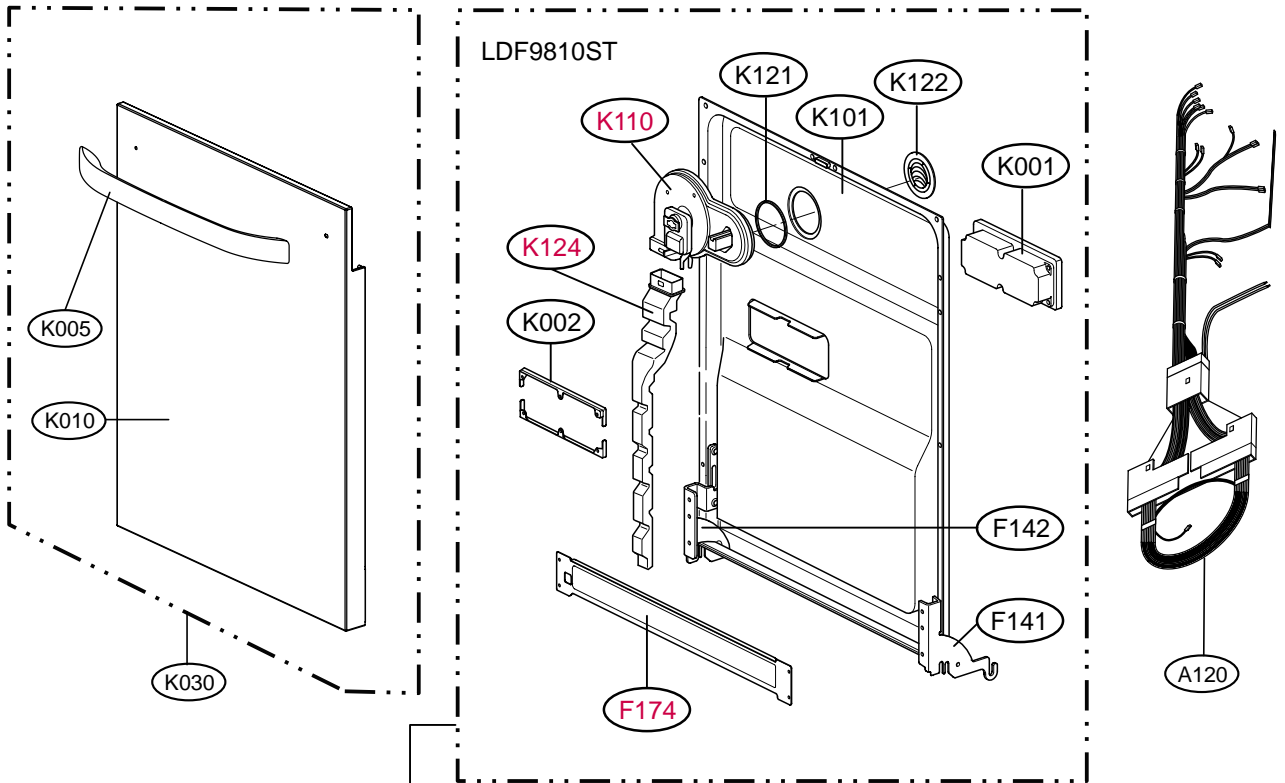
EXPLODED VIEW - NOZZLE ASSEMBLY



EXPLODED VIEW - RACK ASSEMBLY



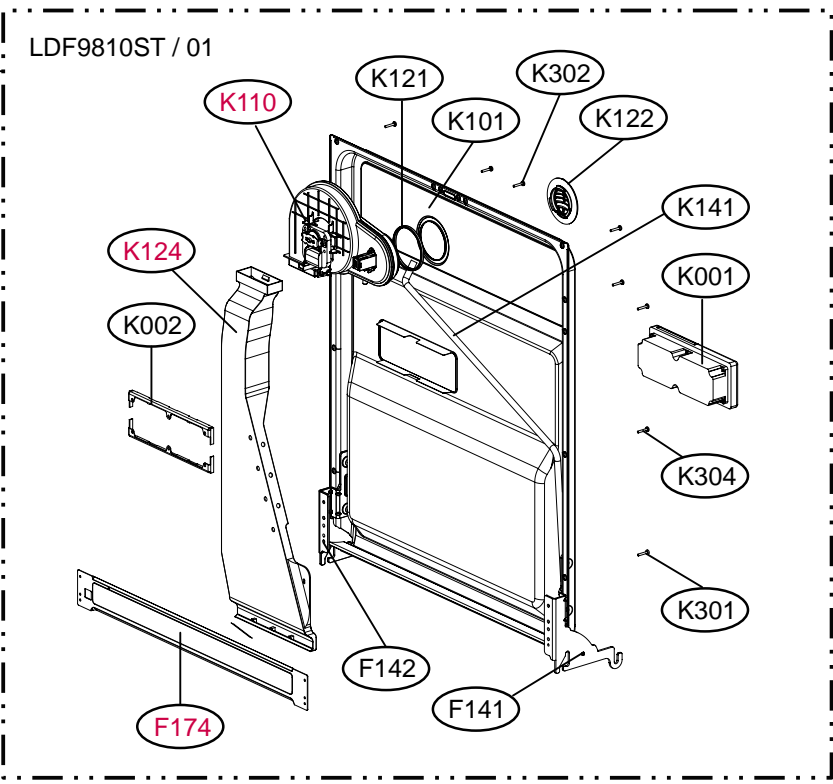
EXPLODED VIEW - DOOR ASSEMBLY



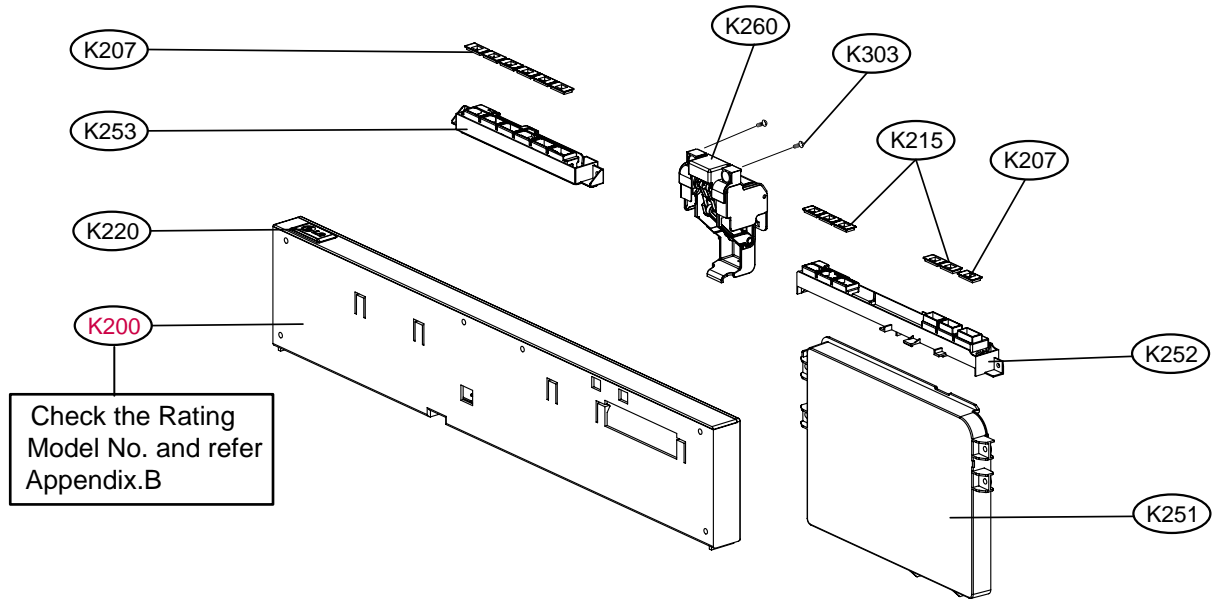
K100

***Check the Rating Model No. and refer Appendix.A**

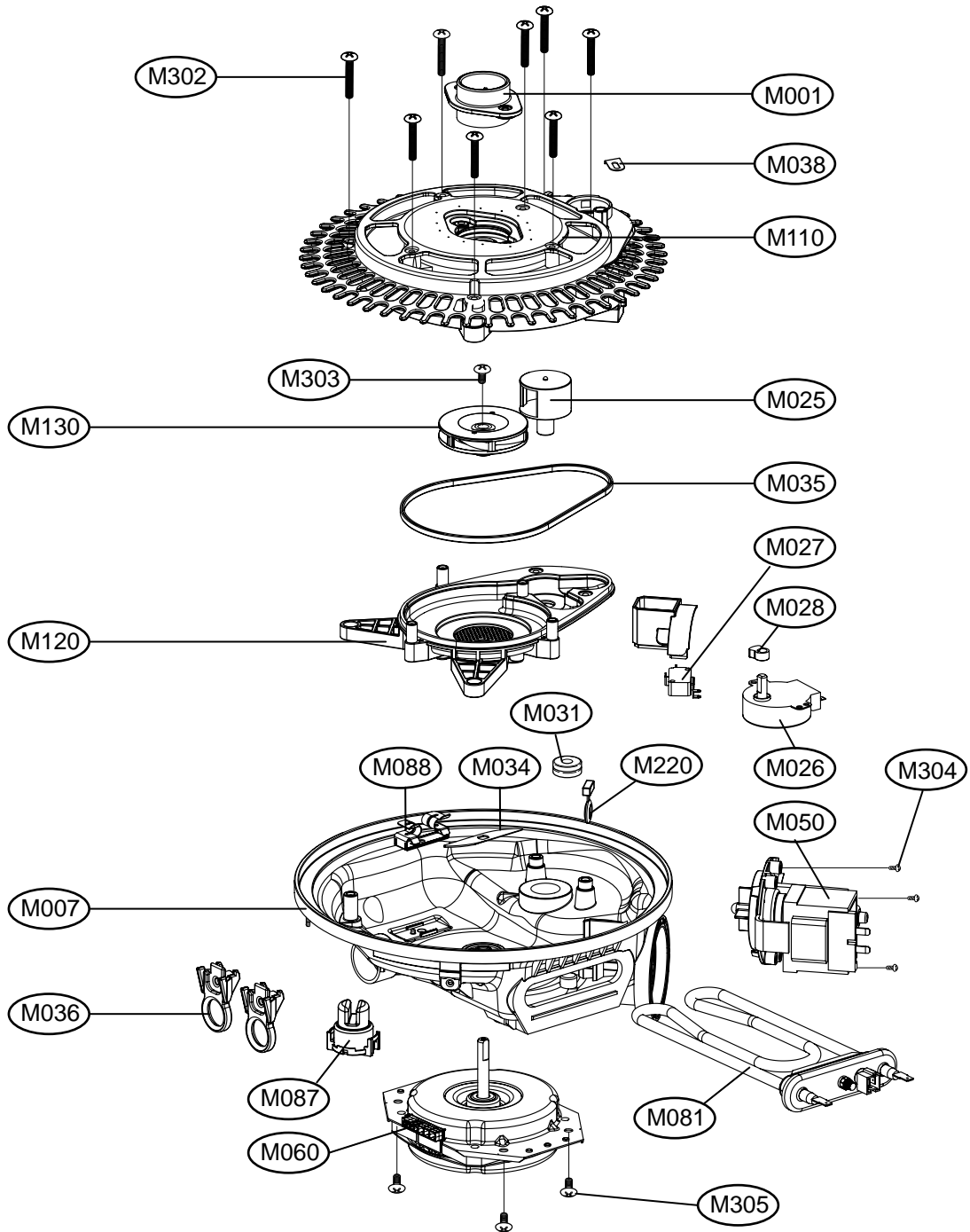
Serial No.	~ 711#####	712#####~
SVC Model	LDF9810ST	LDF9810ST / 01
K100	4937DD1001B	4937DD1001C
K110	5835ED2002D	ABT35083801
K124	MJZ36939301	MJZ39902101



EXPLODED VIEW - PANEL ASSEMBLY



EXPLODED VIEW - SUMP ASSEMBLY



11. REPLACEMENT PART LIST

CAUTION : BEFORE REPLACING ANY OF THESE COMPONENTS.
READ CAREFULLY THE SAFETY PRECAUTIONS IN THIS MANUAL

■ **NOTE :** S(SAFETY PARTS), AL(ALTERNATIVE PARTS)

LG MODEL: D1401TB		Run Date : 2007-06-20		
YOUR MODEL: LDF9810ST		SPECIFICATION: 120V 60Hz		
LOC	DESC	PART No.	COMMENTS	QTY
*001	MANUAL ASSEMBLY,OWNERS	AFN31666719		1
*002	BOX,CARTON	3890DZ3015A		1
*003	MANUAL,SERVICE	MFL37554802		1
*005	ACCESSORY ASSEMBLY	5001DD4001A		1
A003	DAMPER ASSEMBLY	ACV34326901		1
A005	BRACKET, TOP	4810DD4002B		2
A006	SUPPORTER,HOLDER	4980ED2015A		1
A007	SUPPORTER,HOLDER	4980ED2014A		1
A008	SUPPORTER,HOLDER	4980ED2018B		1
A010	CABINET	3090ED1001F		1
A020	CABINET ASSEMBLY	3091DD1001F		1
A040	COVER ASSEMBLY,LOWER	3551DD2001E		1
A050	NOZZLE ASSEMBLY	AGB32598301	LOWER NOZZLE	1
A060	NOZZLE ASSEMBLY	5249DD1001A	UPPER NOZZLE	1
A070	GUIDE ASSEMBLY	4975DD1002A	UPPER NOZZLE	1
A073	WASHER,COMMON	1WZZDD3001A		1
A074	SHAFT,NOZZLE	4370ED3007A		1
A080	RACK	MGR38994301	CUP SHELF	1
A101	DECO, HANDLE	MEB38945801	STS	2
A102	HANDLE	MEB38945901	FRONT	2
A103	HANDLE	MEB38946001	REAR	2
A110	BASKET ASSEMBLY,SPOON	5005DD1001B		1
A120	HARNESS,MULTI	EAD38156501		1
A130	HOSE ASSEMBLY,DRAIN	AEM30700301	INNER PHI 15, 21	1
A140	RACK ASSEMBLY	AHB33839701	LOWER RACK	1
A141	RACK	MGR38994701		1
A142	ROLLER ASSEMBLY	4581DD3003B		8
A144	RACK	3750DD2003A		2
A145	HOLDER	4930ED3003D		1
A146	HOLDER	4930ED3004D		1
A147	HOLDER	4930DD3006A		2
A148	RACK	3750DD1001A		1
A149	RACK	3750DD1002A		1
A150	RACK ASSEMBLY	AHB33839501	UPPER RACK	1
A151	RACK	MGR38994101		1
A155	GUIDE ASSEMBLY	AEC32598702	RIGHT	1
A156	GUIDE ASSEMBLY	AEC32598602	LEFT	1
A157	HOLDER	4930DD3003B		2
A158	HOLDER	4930DD3005A		2
A159	RACK	3750DD2002A		1
A160	FILTER ASSEMBLY	6201EC1006A		1
A165	RACK	MGR38994201	TINE	1
A170	RACK ASSEMBLY	AHB33839401	CUTLERY RACK	1
A171	TRAY	MJS38945601	CUTLERY RACK	1
A172	RACK	MGR38994001	CUTLERY RACK	1

No.	PART NAME	PART No.	SPEC&COLOR	Q'ty
A173	GUIDE ASSEMBLY	AEC33858601	CUTLERY RACK/RIGHT	1
A174	GUIDE ASSEMBLY	AEC33858701	CUTLERY RACK/LEFT	1
A175	HOLDER	MEG38945701	CUTLERY RACK	2
A301	SCREW,TAPTITE	1SBF0402418	LATCH LOCK	1
E010	BUSH	4830ED4001A		2
F001	FRAME ASSEMBLY	3211DD1001A		1
F004	NOZZLE ASSEMBLY	5249DD2001A	TOP NOZZLE	1
F005	SHAFT,NOZZLE	4370ED3006A	TOP NOZZLE	1
F011	SPRING,HINGE	4970ED4004G		2
F013	CONNECTOR ASSEMBLY	4933DD3001A		2
F014	BRACKET,HINGE	4810ED4004A		2
F022	SENSOR ASSEMBLY	6501DD2001A		1
F040	GUIDE ASSEMBLY	4975ED1005B		1
F041	HOSE ASSEMBLY,CONNECTOR	AEM34434401	INLET TO AIRGUIDE	1
F042	HOSE,CONNECTOR	5214DD3003A		1
F043	HOSE,CONNECTOR	MEJ39603301		1
F045	COVER,PROTECT	3550DD2001A		1
F050	NUT,COMMON	4020FD3641C		1
F060	GASKET	4986DD3001A		1
F101	PACKING	3920DD3002A		1
F110	ROLLER ASSEMBLY	4581DD3001A	3RD RACK LEFT	2
F111	RAIL	5218ED3001A	3RD RACK RAIL	2
F112	STOPPER,ROLLER	4620ED3002A	3RD RACK RAIL LEFT	1
F113	ROLLER	4580ED4002A	RAIL	4
F117	STOPPER,ROLLER	4620ED3001A	RAIL ROLLER STOPPER	2
F118	STOPPER,ROLLER	4620ED3003A	3RD RACK RAIL RIGHT	1
F121	STOPPER,ROLLER	MJB32864101	UPPER RACK RAIL	4
F122	RAIL	MGT32863801	UPPER RACK RAIL	2
F123	HOUSING ASSEMBLY,BEARING	AEN32597901	UPPER RACK RAIL	2
F132	PACKING	3920DD3005A	TUB PACKING	1
F141	HINGE ASSEMBLY	4775DD2002A	DOOR RIGHT	1
F142	HINGE ASSEMBLY	4775DD2001A	DOOR LEFT	1
F143	HINGE ASSEMBLY	4775ED3004A	TUB RIGHT	1
F144	HINGE ASSEMBLY	4775ED3003A	TUB LEFT	1
F171	LOCKER,LOCK	4026DD3001A		1
F174	BRACKET,HINGE	4810DD1001A	DOOR FRAME	1
F191	GUIDE,WATER	MEA36937101		1
F192	GUIDE,NOZZLE	4974DD3001A		1
F210	ROLLER ASSEMBLY	4581DD3001B	3RD RACK RIGHT	2
F230	BRACKET,TUB	4810DD4005A	FIX STEAM NOZZLE TO TUB	2
F240	LAMP	6913ER4001B		2
F300	NOZZLE ASSEMBLY	AGB33696301	STEAM NOZZLE	1
K001	DISPENSER	4924FD2123E		1
K002	BRACKET ASSEMBLY	4810FD3805A	FIX DISPENSER TO DOOR LINER	2
K005	HANDLE ASSEMBLY	AED33189701		1
K010	COVER,FRONT	3550ED0001J		1
K030	COVER ASSEMBLY,FRONT	3551DD1003K		1
K100	DOOR LINER ASSEMBLY	4937DD1001B	DOORLINER+CASING+VENT+DISPENSER	1
K101	PARTS ASSEMBLY	AGM34891601	DOORLINER+DAMPING SHEET+GASKET	1
K110	CASING ASSEMBLY	5835ED2002D	BLOWER	1
K121	GASKET	4986DD3003A	BLOWER GASKET	1

No.	PART NAME	PART No.	SPEC&COLOR	Q'ty
K122	COVER,BLOWER	3550ED3011A		1
K124	VENT	MJZ36939301		1
K200	PANEL ASSEMBLY,CONTROL	AGL33667101		1
K207	COVER,GUIDE	MCK40133201	CYCLE	7
K215	COVER,GUIDE	MCK40228201	DISPLAY	5
K220	NAME PLATE ASSEMBLY	AFZ34353901		1
K251	PCB ASSEMBLY,MAIN	EBR38144401		1
K252	PCB ASSEMBLY,DISPLAY	EBR38145001	DISPLAY	1
K253	PCB ASSEMBLY,DISPLAY	EBR38145201	CYCLE	1
K260	LOCKER ASSEMBLY	4027ED3002D		1
K301	SCREW,CUSTOMIZED	4000FD4268A	DOOR LINER ~ HINGE	4
K302	SCREW,CUSTOMIZED	1SZZED3001A	DOOR LINER-PANEL-FRONT COVER	6
K303	SCREW,CUSTOMIZED	1SZZED3002A	LATCH-PANEL	2
K304	SCREW,CUSTOMIZED	1SZZED3003A	DOOR LINER-FRONT COVER	6
M001	HOLDER	4930DD3002A		1
M005	GASKET	MDS37912401	SUMP GASKET	1
M006	SUMP ASSEMBLY	AJH31248603		1
M007	SUMP	AJH32598001		1
M025	VALVE,CHECK	MJX32862501	VARIO	1
M026	MOTOR ASSEMBLY,AC,DRAIN	4681ED3001B	VARIO MOTOR	1
M027	SWITCH,MICRO	3W40025C	CHECK THE POSITION OF THE VARIO(CAM)	1
M028	CAM,SWITCH	MBJ32856401		1
M031	PACKING	3920ED4009B	VARIO PACKING	1
M034	BLADE	5832DD4001A		1
M035	PACKING	MFZ32863101		1
M036	HOLDER	4930DD3008A	SUMP ASM ~ TUB LOW	2
M038	HOLDER	4930DD3012A	WATER GUIDE ~ SUMP	1
M050	MOTOR ASSEMBLY,AC	4681EA2002D	DRAIN MOTOR	1
M060	MOTOR ASSEMBLY,DC	4681ED1004A	WASHING MOTOR	1
M081	HEATER ASSEMBLY	5301DD1001A		1
M086	SWITCH,MICRO	3W40025P		2
M087	SENSOR ASSEMBLY	6501ED2002F	SOIL SENSOR	1
M088	COVER	3740ED3003A	HOLDER HEATER	1
M090	FLOAT ASSEMBLY	4769DD2001B		1
M110	FILTER ASSEMBLY,MESH	ADQ32598202		1
M120	CASE ASSEMBLY	ABQ32598101	PUMP CASE	1
M130	IMPELLER ASSEMBLY	5911ED3003A		1
M210	VALVE ASSEMBLY,INLET	AJU33450701		1
M220	VALVE,CHECK	5220ED4004A	DRAIN	1
M221	COVER	MCK32863301		1
M260	BASE,CABINET	MAM34326301		1
M261	COVER ASSEMBLY,BASE	ACQ31707201		1
M262	CASE	3110DD3002A	JUNCTION BOX	1
M270	LEG	4778DD3001A		4
M300	ACCESSORY ASSEMBLY	5001DD2001C	LEVELING KIT	1
M301	SCREW,CUSTOMIZED	4W51229F	BASE + HINGE SUPPORT	4
M302	SCREW,CUSTOMIZED	1SZZED3005A	SUMP FILTER	8
M303	SCREW,CUSTOMIZED	1SZZED3006A	IMPELLER	1
M304	SCREW,CUSTOMIZED	1SZZFA4305A	SUMP ~ DRAIN PUMP	3
M305	SCREW,CUSTOMIZED	4W51194D	SUMP ~ MOTOR	4
M500	GENERATOR ASSEMBLY	ADZ32992801	STEAM GENERATOR	1

**CAUTION : BEFORE REPLACING ANY OF THESE COMPONENTS.
READ CAREFULLY THE SAFETY PRECAUTIONS IN THIS MANUAL**

NOTE : S(SAFETY PARTS), AL(ALTERNATIVE PARTS)

LG MODEL: D1401TB			Run Date : 2007-12-03	
YOUR MODEL: LDF9810ST / 01			SPECIFICATION: 120V 60Hz	
LOC	DESC	PART No.	COMMENTS	QTY
*001	MANUAL ASSEMBLY,OWNERS	AFN31666719		1
*002	BOX,CARTON	3890DZ3015A		1
*003	MANUAL,SERVICE	MFL37554802		1
*005	ACCESSORY ASSEMBLY	5001DD4001A		1
A003	DAMPER ASSEMBLY	ACV34326901		1
A005	BRACKET, TOP	4810DD4002B		2
A006	SUPPORTER,HOLDER	4980ED2015A		1
A007	SUPPORTER,HOLDER	4980ED2014A		1
A008	SUPPORTER,HOLDER	4980ED2018B		1
A010	CABINET	3090ED1001F		1
A020	CABINET ASSEMBLY	3091DD1001F		1
A040	COVER ASSEMBLY,LOWER	3551DD2001E		1
A050	NOZZLE ASSEMBLY	AGB32598301	LOWER NOZZLE	1
A060	NOZZLE ASSEMBLY	5249DD1001A	UPPER NOZZLE	1
A070	GUIDE ASSEMBLY	4975DD1002A	UPPER NOZZLE	1
A073	WASHER,COMMON	1WZZDD3001A		1
A074	SHAFT,NOZZLE	4370ED3007A		1
A080	RACK	MGR38994301	CUP SHELF	1
A101	DECO, HANDLE	MEB38945801	STS	2
A102	HANDLE	MEB38945901	FRONT	2
A103	HANDLE	MEB38946001	REAR	2
A110	BASKET ASSEMBLY,SPOON	5005DD1001B		1
A120	HARNES, MULTI	EAD38156501		1
A130	HOSE ASSEMBLY,DRAIN	AEM30700301	INNER PHI 15, 21	1
A140	RACK ASSEMBLY	AHB33839701	LOWER RACK	1
A141	RACK	MGR38994701		1
A142	ROLLER ASSEMBLY	4581DD3003B		8
A144	RACK	3750DD2003A		2
A145	HOLDER	4930ED3003D		1
A146	HOLDER	4930ED3004D		1
A147	HOLDER	4930DD3006A		2
A148	RACK	3750DD1001A		1
A149	RACK	3750DD1002A		1
A150	RACK ASSEMBLY	AHB33839501	UPPER RACK	1
A151	RACK	MGR38994101		1
A155	GUIDE ASSEMBLY	AEC32598702	RIGHT	1
A156	GUIDE ASSEMBLY	AEC32598602	LEFT	1
A157	HOLDER	4930DD3003B		2
A158	HOLDER	4930DD3005A		2
A159	RACK	3750DD2002A		1
A160	FILTER ASSEMBLY	6201EC1006A		1
A165	RACK	MGR38994201	TINE	1
A170	RACK ASSEMBLY	AHB33839401	CUTLERY RACK	1
A171	TRAY	MJS38945601	CUTLERY RACK	1
A172	RACK	MGR38994001	CUTLERY RACK	1

No.	PART NAME	PART No.	SPEC&COLOR	Q'ty
A173	GUIDE ASSEMBLY	AEC33858601	CUTLERY RACK/RIGHT	1
A174	GUIDE ASSEMBLY	AEC33858701	CUTLERY RACK/LEFT	1
A175	HOLDER	MEG38945701	CUTLERY RACK	2
A301	SCREW,TAPTITE	1SBF0402418	LATCH LOCK	1
E010	BUSH	4830ED4001A		2
F001	FRAME ASSEMBLY	3211DD1001A		1
F004	NOZZLE ASSEMBLY	5249DD2001A	TOP NOZZLE	1
F005	SHAFT,NOZZLE	4370ED3006A	TOP NOZZLE	1
F011	SPRING,HINGE	4970ED4004G		2
F013	CONNECTOR ASSEMBLY	4933DD3001A		2
F014	BRACKET,HINGE	4810ED4004A		2
F022	SENSOR ASSEMBLY	6501DD2001A		1
F040	GUIDE ASSEMBLY	4975ED1005B		1
F041	HOSE ASSEMBLY,CONNECTOR	AEM34434401	INLET TO AIRGUIDE	1
F042	HOSE,CONNECTOR	5214DD3003A		1
F043	HOSE,CONNECTOR	MEJ39603301		1
F045	COVER,PROTECT	3550DD2001A		1
F050	NUT,COMMON	4020FD3641C		1
F060	GASKET	4986DD3001A		1
F101	PACKING	3920DD3002A		1
F110	ROLLER ASSEMBLY	4581DD3001A	3RD RACK LEFT	2
F111	RAIL	5218ED3001A	3RD RACK RAIL	2
F112	STOPPER,ROLLER	4620ED3002A	3RD RACK RAIL LEFT	1
F113	ROLLER	4580ED4002A	RAIL	4
F117	STOPPER,ROLLER	4620ED3001A	RAIL ROLLER STOPPER	2
F118	STOPPER,ROLLER	4620ED3003A	3RD RACK RAIL RIGHT	1
F121	STOPPER,ROLLER	MJB32864101	UPPER RACK RAIL	4
F122	RAIL	MGT32863801	UPPER RACK RAIL	2
F123	HOUSING ASSEMBLY,BEARING	AEN32597901	UPPER RACK RAIL	2
F132	PACKING	3920DD3005A	TUB PACKING	1
F141	HINGE ASSEMBLY	4775DD2002A	DOOR RIGHT	1
F142	HINGE ASSEMBLY	4775DD2001A	DOOR LEFT	1
F143	HINGE ASSEMBLY	4775ED3004A	TUB RIGHT	1
F144	HINGE ASSEMBLY	4775ED3003A	TUB LEFT	1
F171	LOCKER,LOCK	4026DD3001A		1
F174	BRACKET,HINGE	4810DD1001A	DOOR FRAME	1
F191	GUIDE,WATER	MEA36937101		1
F192	GUIDE,NOZZLE	4974DD3001A		1
F210	ROLLER ASSEMBLY	4581DD3001B	3RD RACK RIGHT	2
F230	BRACKET,TUB	4810DD4005A	FIX STEAM NOZZLE TO TUB	2
F240	LAMP	6913ER4001B		2
F300	NOZZLE ASSEMBLY	AGB33696301	STEAM NOZZLE	1
K001	DISPENSER	4924FD2123E		1
K002	BRACKET ASSEMBLY	4810FD3805A	FIX DISPENSER TO DOOR LINER	2
K005	HANDLE ASSEMBLY	AED33189701		1
K010	COVER,FRONT	3550ED0001J		1
K030	COVER ASSEMBLY,FRONT	3551DD1003K		1
K100	DOOR LINER ASSEMBLY	4937DD1001C	DOORLINER+CASING+VENT+DISPENSER	1
K101	PARTS ASSEMBLY	AGM34891601	DOORLINER+DAMPING SHEET+GASKET	1
K110	CASING ASSEMBLY	ABT35083801	BLOWER	1

No.	PART NAME	PART No.	SPEC&COLOR	Q'ty
K121	GASKET	4986DD3003A	BLOWER GASKET	1
K122	COVER,BLOWER	3550ED3011A		1
K124	VENT	MJZ39902101		1
K140	HOSE	5214ER4001S	HOSE, NEW BLOWER	1
K141	CLAMP	4861FR3068M	HOSE ~ BLOWER	1
K200	PANEL ASSEMBLY,CONTROL	AGL33667101		1
K207	COVER,GUIDE	MCK40133201	CYCLE	7
K215	COVER,GUIDE	MCK40228201	DISPLAY	5
K220	NAME PLATE ASSEMBLY	AFZ34353901		1
K251	PCB ASSEMBLY,MAIN	EBR38144401		1
K252	PCB ASSEMBLY,DISPLAY	EBR38145001	DISPLAY	1
K253	PCB ASSEMBLY,DISPLAY	EBR38145201	CYCLE	1
K260	LOCKER ASSEMBLY	4027ED3002D		1
K301	SCREW,CUSTOMIZED	4000FD4268A	DOOR LINER ~ HINGE	4
K302	SCREW,CUSTOMIZED	1SZZED3001A	DOOR LINER-PANEL-FRONT COVER	6
K303	SCREW,CUSTOMIZED	1SZZED3002A	LATCH-PANEL	2
K304	SCREW,CUSTOMIZED	1SZZED3003A	DOOR LINER-FRONT COVER	6
M001	HOLDER	4930DD3002A		1
M005	GASKET	MDS37912401	SUMP GASKET	1
M006	SUMP ASSEMBLY	AJH31248603		1
M007	SUMP	AJH32598001		1
M025	VALVE,CHECK	MJX32862501	VARIO	1
M026	MOTOR ASSEMBLY,AC,DRAIN	4681ED3001B	VARIO MOTOR	1
M027	SWITCH,MICRO	3W40025C	CHECK THE POSITION OF THE VARIO(CAM)	1
M028	CAM,SWITCH	MBJ32856401		1
M031	PACKING	3920ED4009B	VARIO PACKING	1
M034	BLADE	5832DD4001A		1
M035	PACKING	MFZ32863101		1
M036	HOLDER	4930DD3008A	SUMP ASM ~ TUB LOW	2
M038	HOLDER	4930DD3012A	WATER GUIDE ~ SUMP	1
M050	MOTOR ASSEMBLY,AC	4681EA2002D	DRAIN MOTOR	1
M060	MOTOR ASSEMBLY,DC	4681ED1004A	WASHING MOTOR	1
M081	HEATER ASSEMBLY	5301DD1001A		1
M086	SWITCH,MICRO	3W40025P		2
M087	SENSOR ASSEMBLY	6501ED2002F	SOIL SENSOR	1
M088	COVER	3740ED3003A	HOLDER HEATER	1
M090	FLOAT ASSEMBLY	4769DD2001B		1
M110	FILTER ASSEMBLY,MESH	ADQ32598202		1
M120	CASE ASSEMBLY	ABQ32598101	PUMP CASE	1
M130	IMPELLER ASSEMBLY	5911ED3003A		1
M210	VALVE ASSEMBLY,INLET	AJU33450701		1
M220	VALVE,CHECK	5220ED4004A	DRAIN	1
M221	COVER	MCK32863301		1
M260	BASE,CABINET	MAM34326301		1
M261	COVER ASSEMBLY,BASE	ACQ31707201		1
M262	CASE	3110DD3002A	JUNCTION BOX	1
M270	LEG	4778DD3001A		4
M300	ACCESSORY ASSEMBLY	5001DD2001C	LEVELING KIT	1
M301	SCREW,CUSTOMIZED	4W51229F	BASE + HINGE SUPPORT	4
M302	SCREW,CUSTOMIZED	1SZZED3005A	SUMP FILTER	8



Appendix. A

CHANGED PART FROM DEC. 2007

	BEFORE (LDF9810ST, S/N : ~1DD10001)	AFTER (LDF9810ST / 01, S/N : 1DD10001~)
<p>K001 DOORLINER ASSEMBLY</p> <p>*Casing ASM & Vent were chang ed to Improve Dr ying performance</p> <p>*Hose added</p>	<p>4937DD1001B</p>	<p>4937DD1001C</p>
<p>K110 CASING ASS SEMBLY</p> <p>*Casing ASM w as changed to Im prove Drying per formance</p>	<p>5835ED2002D</p>	<p>ABT35083801</p>
<p>K124 VENT</p> <p>*Vent was chang ed to Improve Dr ying performance</p>	<p>MJZ36939301</p>	<p>MJZ39902101</p>



Appendix. B

MODIFIED PART FROM DEC. 2007

- Check original parts & replace or modify with new parts(Refer Appendix. A)


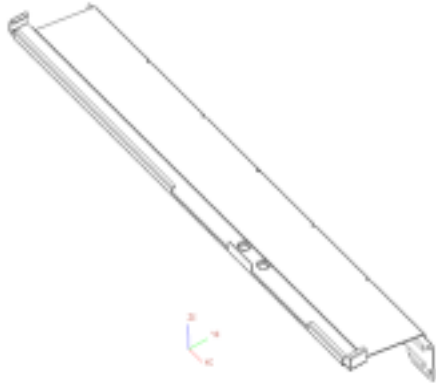
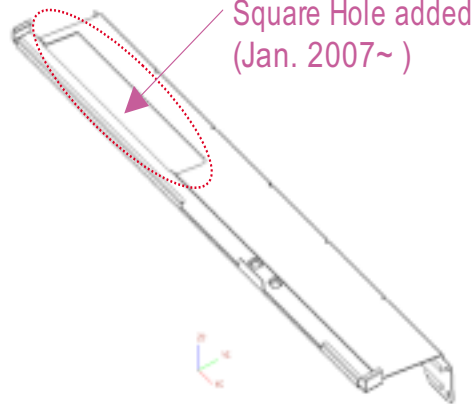
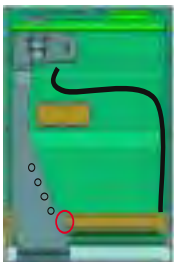
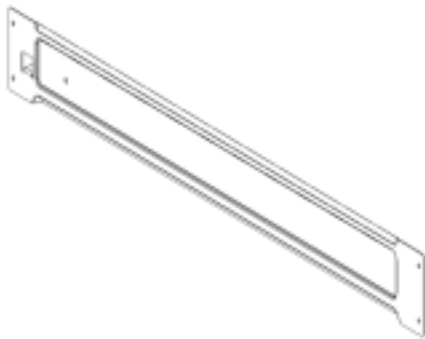

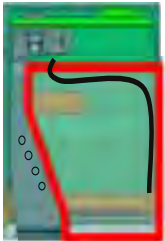
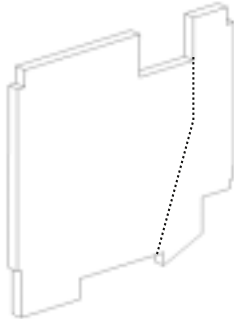
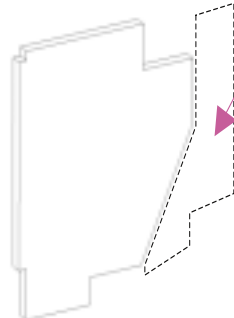
	BEFORE (LDF9810ST, S/N : ~711#####)	AFTER (LDF9810ST / 01, S/N : 71200001~)
<p>K200 PANEL ASSEMBLY, CONTROL</p> <p>*Panel was Modified to avoid interference with New Casing Assembly</p>	<p>AGL33667101</p>	<p>AGL33667101</p>
<p>F174 HINGE BRACKET</p> <p>*Hinge Bracket was Modified to fix new vent(Hole added)</p>	<p>4810DD1001A</p>	<p>4810DD1001A</p> <p>* Drill a hole to fix new vent</p>
<p>FELT (In Frontcover)</p> <p>*Felt was Modified to avoid interference with New vent</p>		<p>* Cut the interference portion</p>



Appendix. B

B-1. Modified parts to improve drying performance.

- Check original parts & replace (or modify) with new parts to improve drying performance.


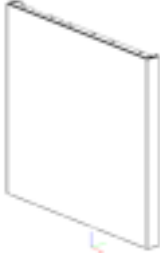
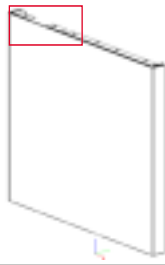
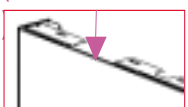
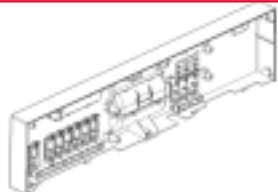

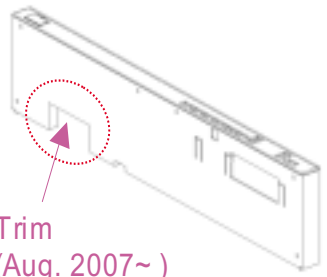
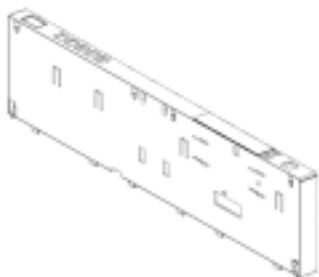
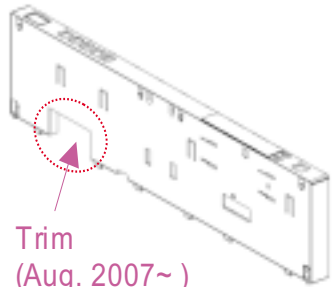
	BEFORE	AFTER
<p>F001 FRAME ASSEMBLY, LOWER</p> <p>*Frame was modified to avoid interference with new vent</p> 	<p>AGL33667101</p> 	<p>AGL33667101</p> <p>Square Hole added (Jan. 2007~)</p> 
<p>F174 HINGE BRACKET</p> <p>*Hinge bracket was modified to include a new vent mounting hole</p> 	<p>4810DD1001A</p> 	<p>4810DD1001A</p> <p>Hole added (Aug. 2007~)</p>  <p>* Drill a hole to fix new vent</p>
<p>FELT (In Frontcover)</p> <p>*Felt was modified to avoid interference with new vent</p> 	<p>4766DD1001B</p> 	<p>4766DD1001A</p> <p>Trim (Dec. 2007~)</p>  <p>* Cut the interference portion</p>



Appendix. B

B-2. Modified parts to improve drying performance.

- Check original parts & replace (or modify) with new parts to improve drying performance.

	Part Numbers		BEFORE	AFTER
K010 (LDS5811 Series Only) Front Cover *Front Cover was modified to avoid interference with new blower assembly 	W W	3550DD1004A	NOTE: It is not recommended to modify this part—replace part if installing new drying system on semi model. 	 Trim (Dec. 2007~) 
	B B	3550DD1004B		
	S T	3550DD1004C		
K200 (LDS5811 Series ONLY) CONTROL PANEL ASSEMBLY *Control panel was modified to avoid interference with new blower assembly	W W	AGL32586501	NOTE: It is not recommended to modify this part—replace part if installing new drying system on semi model. 	
	B B	AGL32586502		
	S T	AGL32586503		
K200 (LDF8812ST ONLY) CONTROL PANEL ASSEMBLY *Control panel was modified to avoid interference with new blower assembly	AGL32598401			 Trim (Aug. 2007~)
K200 (LDF6810 Series ONLY) CONTROL PANEL ASSEMBLY *Control panel was modified to avoid interference with new blower assembly	W W	AGL32599305		 Trim (Aug. 2007~)
	B B	AGL32599306		
	S T	AGL32599304		

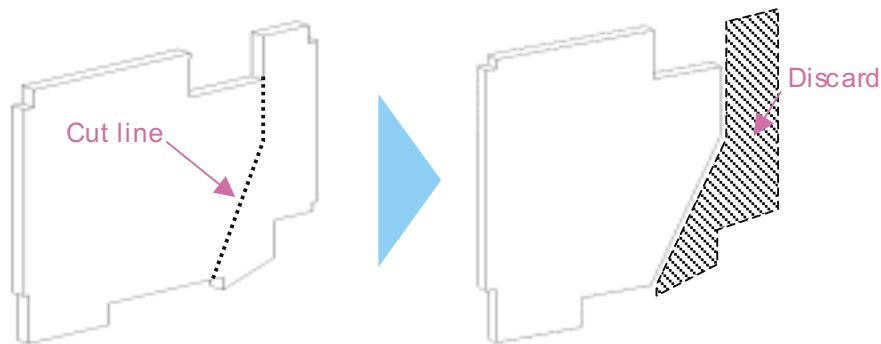


Appendix. C

※ If it is necessary to retrofit an earlier model with the new drying system, please follow the instructions below for modifying or replacing parts.

- 1) Remove front door panel & control panel.
- 2) Remove old blower & vent.
- 3) Cut the door liner white felt pad as shown*. Scissors work best for cutting the felt. (See Appendix C for part number if felt is to be replaced.)

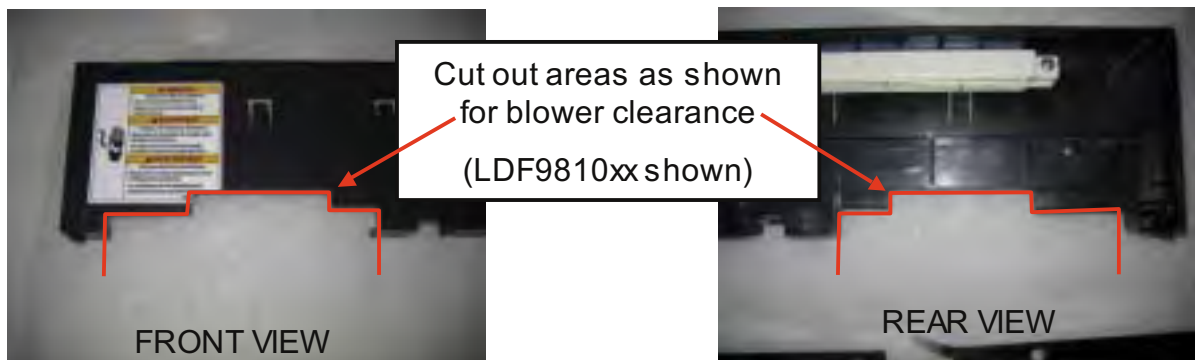
*NOTE: The white felt can be marked with a felt pen using the new vent as a template.



* Use scissors to remove the highlighted portion of the felt pad where it interferes with the vent as shown.

- 4) Assemble and mount the new blower & vent.
- 5) The control panel frame must be modified or replaced. If it is to be modified for blower clearance, cut out areas shown in the photos below*. Test fit panel to door liner prior to assembly to make sure panel does not touch blower motor or housing as this could cause excess noise.

*NOTE: It is not recommended to modify the semi-control panel or front door panel. Retrofit of the new drying system to LDS5811xx models should only be done by replacing the front door panel and control panel. (see Appendix C for parts)





Appendix. C

※ Retrofit instructions continued

6) Using the new vent as a template, drill a new hole* for mounting the vent. Attach the vent using the black screw from the old vent. Align the bottom of the vent with the bottom of the door panel when assembling vent.

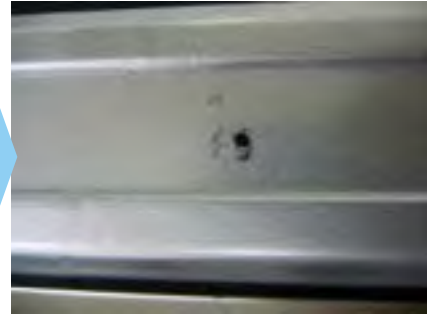
* NOTE: Be careful not to damage the door liner when drilling the hole.



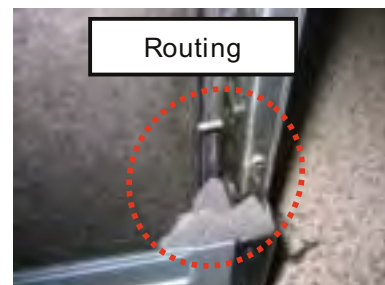
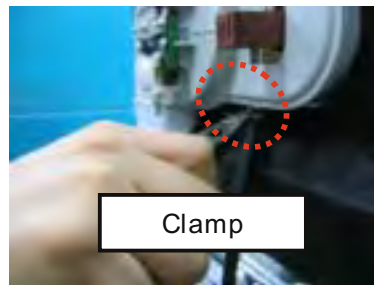
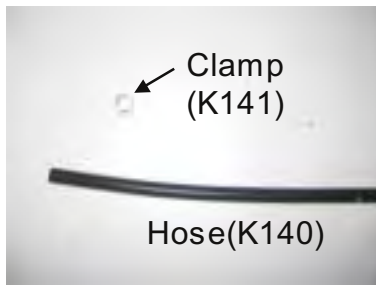
Mark the location to drill the hole. Make sure the bottom of the vent will align with the bottom of the front door panel.



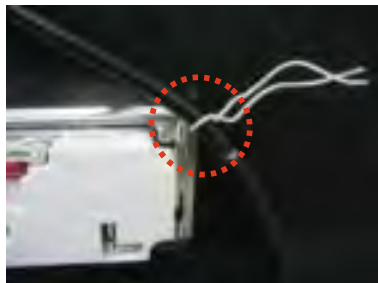
Drill the pilot hole. Be careful not to damage the door liner when drilling the hole.



7) Attach one end of the rubber drain hose to the fitting on the bottom of the blower housing and secure with the clamp. Route the drain hose down the right side of the door behind the screw and foam so it can drain into the tub.



8) Secure the drain hose in position with the retaining wire at the dispenser or a piece of tape as needed.



9) Reassemble control panel and front door panel. Test for proper operation.



MEMO



MEMO
