

MICROWAVE OVEN SERVICE MANUAL

**MODEL: MV-1525W,
MV-1525B**

CAUTION

BEFORE SERVICING THE UNIT, READ THE
SAFETY PRECAUTIONS IN THIS MANUAL.

CAUTION

SAFETY PRECAUTIONS

PRECAUTIONS TO BE OBSERVED BEFORE AND DURING SERVICING TO AVOID POSSIBLE EXPOSURE TO EXCESSIVE MICROWAVE ENERGY

- a. Do not operate or allow the oven to be operated with the door open.**
- b. Make the following safety checks on all ovens to be serviced before activating the magnetron or other microwave source, and make repairs as necessary; (1) Interlock operation, (2) proper door closing, (3) seal and sealing surfaces (arcing, wear, and other damage), (4) damage to or loosening of hinges and latches, (5) evidence of dropping or abuse.**
- c. Before turning on microwave power for any service test or inspection within the microwave generating compartments, check the magnetron, wave guide or transmission line, and cavity for proper alignment, integrity, and connections.**
- d. Any defective or misadjusted components in the interlock, monitor, door seal, and microwave generation and transmission systems shall be repaired, replaced, or adjusted by procedures described in this manual before the oven is released to the owner.**
- e. A Microwave leakage check to verify compliance with the Federal Performance Standard should be performed on each oven prior to release to the owner.**
 - Proper operation of the microwave ovens requires that the magnetron be assembled to the wave guide and cavity. Never operate the magnetron unless it is properly installed.
 - Be sure that the magnetron gasket is properly installed around the dome of the tube whenever installing the magnetron.
 - Routine service safety procedures should be exercised at all times.
 - Untrained personnel should not attempt service without a thorough review of the test procedures and safety information contained in this manual.

FOREWORD

Read this Manual carefully. Failure to adhere to or observe the information in this Manual may result in exposing yourself to the Microwave Energy normally contained within the oven cavity.

TABLE OF CONTENTS

| | (Page) |
|--|-------------------|
| SAFETY PRECAUTIONS | Inside front page |
| SPECIFICATIONS | 1-1 |
| CAUTIONS | 2-1 |
| INSTALLATIONS | 3-1 |
| OPERATING INSTRUCTIONS..... | 4-1 |
| CONTROL PANEL | 4-1 |
| CONTROL PANEL INSTRUCTIONS | 4-2 |
| OVERALL CIRCUIT DIAGRAM..... | 5-1 |
| SCHEMATIC DIAGRAM..... | 5-1 |
| MATRIX CIRCUIT FOR TOUCH KEY BOARD | 5-2 |
| GENERAL INFORMATION FOR SERVICE | 6-1 |
| GENERAL PRECAUTIONS IN USE | 6-1 |
| TRIAL OPERATION | 6-1 |
| FEATURES AND SPECIFICATIONS FEATURES..... | 6-1 |
| SERVICE INFORMATION | 7-1 |
| PRECAUTIONS AND REPAIR SERVICE TIPS..... | 7-1 |
| MICROWAVE LEAKAGE TEST | 7-2 |
| POWER OUTPUT MEASUREMENT | 7-3 |
| DISASSEMBLY INSTRUCTIONS | 7-4 |
| INTERLOCK SYSTEM | 7-12 |
| INTERLOCK CONTINUITY TEST..... | 7-14 |
| TEST AND CHECKOUT PROCEDURES AND TROUBLE SHOOTING..... | 7-15 |
| A. TEST PROCEDURES..... | 7-15 |
| B. CHECKOUT PROCEDURES..... | 7-18 |
| C. TROUBLE SHOOTING | 7-21 |
| EXPLODED VIEW | 8-1 |
| REPLACEMENT PARTS LIST | 8-8 |
| SCHEMATIC DIAGRAM OF PCB | 8-15 |
| PRINTED CIRCUIT BOARD | 8-16 |
| PCB PARTS LIST..... | 8-17 |

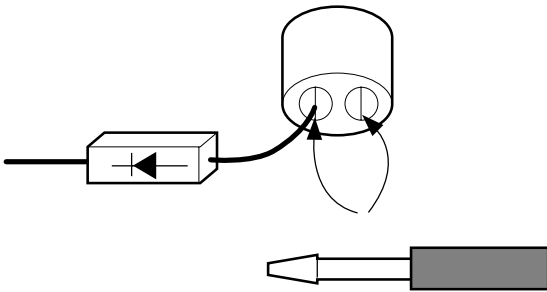
SPECIFICATIONS

| | |
|---|---|
| Rated Power Consumption | 1,500W maximum (Microwave oven only) 1,600W maximum (Microwave oven+Cook top lamps+Ventilation fan) |
| Microwave Output | 1000W (IEC 705 TEST PROCEDURE) Adjustable 100W through 1000W, 10 steps |
| Frequency | 2,450 MHz \pm 50 MHz |
| Power Supply | 120 VAC, 60 Hz |
| Rated Current | 13 Amp. (Microwave oven only) 14 Amp. (Microwave oven+Cook top lamps+Ventilation fan) |
| Magnetron Cooling | Forced Air Cooling |
| Rectification | Rectification Voltage Double Half-Wave |
| Door Sealing | Choke System |
| Safety Devices | Magnetron Thermal Fuse: Open at 109°C \pm 4°C Oven Cavity Thermostat: Open at 110°C \pm 50°C Fuse(20A) Primary Interlock Switch Secondary Interlock Switch Interlock Monitor |
| Magnetron | 2M246-310GF or 2M248E |
| High Voltage Capacitor | Capacitor: 1.0 μ F, 2.1 KV AC |
| High Voltage Diode | Diode; 350mA, 9.0 KV |
| Cook top Lamp | 125 V, 30 W or 40 W |
| Cavity Lamp | 125 V, 30 W or 40 W |
| Timer | Digital, up to 99 mim. 99 sec. (in each cooking stage) |
| Tray | Tempered Safety Glass |
| Overall Dimensions | 29 ¹⁵ / ₁₆ "(W)x16 ⁷ / ₁₆ "(D)x15 ³ / ₈ "(H) |
| Oven Cavity Size | 19 ⁷ / ₈ "(W)x14 ⁵ / ₃₂ "(D)x8 ¹⁵ / ₁₆ "(H) |
| Effective Capacity of Oven Cavity | 1.5 Cu.ft. |
| Accessories | Owner's Manual & Cooking Guide, Installation Manual, Exhaust Adapter, Exhaust Damper, Mounting Kit and Two Filters, Rotating Ring Assembly, Metal Rack. |

CAUTIONS

Unlike other appliances, the microwave oven is high-voltage and high-current equipment. Though it is free from danger in ordinary use, extreme care should be taken during repair.

- DO NOT operate on a 2-wire extension cord during repair and use.
- NEVER TOUCH any oven components or wiring during operation.
- BEFORE TOUCHING any parts of the oven, always remove the power plug from the outlet.
- For about 30 seconds after the oven stops, an electric charge remains in the high voltage capacitor. When replacing or checking, you must discharge the high voltage capacitor by shorting across the two terminals with an insulated screwdriver.

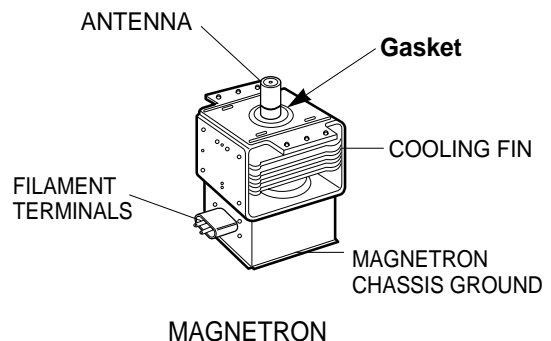


- Remove your watches whenever working close to or replacing the Magnetron.
- DO NOT touch any parts of the control panel circuit. A resulting static electric discharge may damage this P.C.B.
- NEVER operate the oven with no load.
- NEVER injure the door seal and front plate of the oven cavity.
- NEVER put iron tools on the magnetron.
- NEVER put anything into the latch hole and the interlock switches area.

MICROWAVE RADIATION

Personnel should not be exposed to the microwave energy which may radiate from the magnetron or other microwave generating device if it is improperly used or connection. All input and output microwave connections, waveguide, flange, and gasket must be secure never operate the device without a microwave energy absorbing load attached. Never look into an open waveguide or antenna while the device is energized.

- Proper operation of the microwave oven requires that the magnetron be assembled to the waveguide and cavity. Never operate the magnetron unless it is properly installed.
- **Be sure that the magnetron gasket is properly installed around the dome of the tube whenever installing the magnetron.**



THE OVEN IS TO BE SERVICED ONLY BY PROPERLY QUALIFIED SERVICE PERSONNEL.

INSTALLATIONS

BEFORE YOU BEGIN, READ THE FOLLOWING INSTRUCTIONS COMPLETELY AND CAREFULLY.

PRECAUTIONS ON INSTALLATION

- A. Plug the power supply cord into a 120V AC, 60Hz, single-phase power source with a capacity of 15A or 20A.
- B. Avoid placing the unit in a location where there is direct heat or splashing water.
- C. Install the unit on the mounting plate firmly.
- D. Place the unit as far away as possible from TV, radio, etc. to prevent interference.

GROUNDING INSTRUCTIONS

For personal safety, this appliance must be fully grounded at all times.

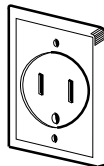
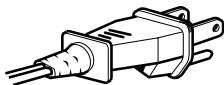
In the event of an electrical short circuit, grounding reduces the risk of electrical shock.

The plug must be plugged into an outlet that is properly installed and grounded.

CAUTION

This unit is equipped with a 3-prong plug for your safety. If the wall outlet is a grounded 3-hole type, the unit will be grounded automatically.

Plug with Ground Prong



Properly Polarized and Grounded Outlet

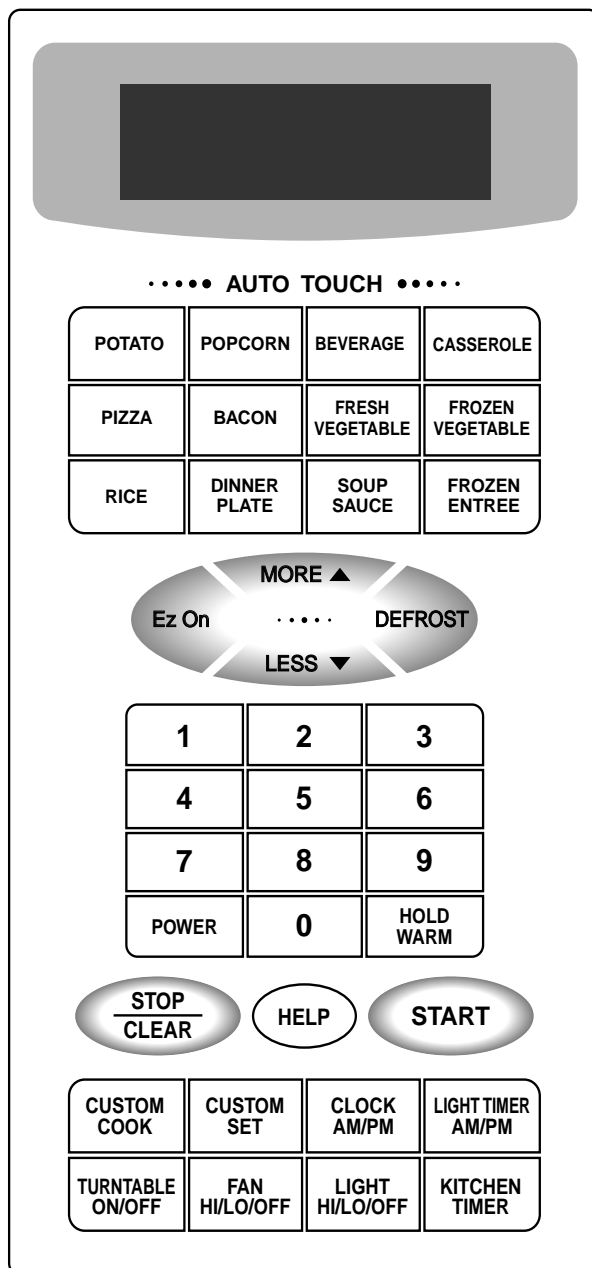
WARNING

Improper use of the grounding plug can result in a risk of electric shock.

Do not, under any circumstances, cut or remove the third ground prong from the power cord plug.

OPERATING INSTRUCTIONS

CONTROL PANEL



CONTROL PANEL INSTRUCTIONS

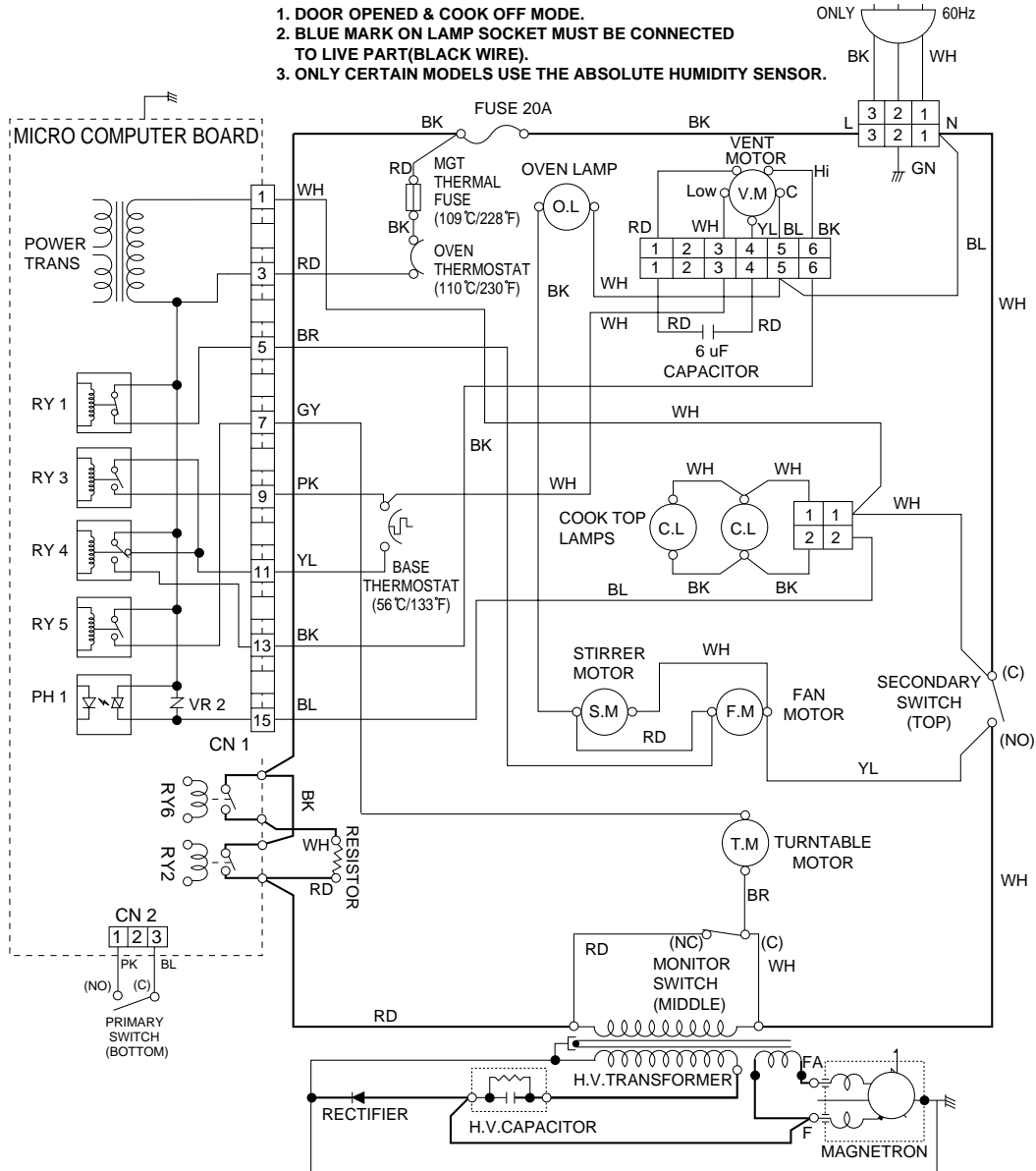
The entire operation is done by simple touch control pads.

- (1) Display Window
Numbers and letters are shown in the display window (Vacuum Fluorescent Tube).
Each Indicator Light shows which function is set and involved in the course of cooking by turning itself on. Indicator Lights automatically go out upon completion of cooking.
- (2) MORE, LESS Key
Used to add or subtract ten seconds of cooking time each time pressing it.
- (3) POWER Key
Used to select cooking power level.
- (4) EZ on Key
Used to cook for one minute at 100% power level. It can be used to extend cooking time in multiples of one minute up to 99 minutes.
- (5) CLOCK(TIME OF DAY) Key
Used in setting Time of Day.
- (6) STOP/CLEAR Key
Used to stop the oven or clear all entries except Time of Day.
- (7) START Key
Touch the START key after setting the desired cooking times etc. Also touch the START key to resume cooking after the cooking is temporarily stopped by opening the door. The key will not function unless the door is closed.
- (8) DEFROST Key
Used to defrost for frozen foods by weight.
- (9) AUTO TOUCH
Used to cook the preprogrammed food automatically.
- (10) HELP Key
This HELP key display feature information and helpful hints.
- (11) LIGHT TIMER
Used to set the cooktop light to turn on and off automatically at any time you want. The light comes on at the same time every day until reset.
- (12) KITCHEN TIMER
Used to set the timer.
- (13) TURNTABLE ON/OFF
Touch this pad to turn off the turntable. "T/TABLE OFF" will appear in the display.
- (14) CUSTOM SET Key
Touch this pad to change the oven's default setting for sound, clock, display speed, defrost weight, and demo mode operations.
- (15) FAN HI/LO/OFF Key
Touch FAN once for HIGH fan speed, twice for low fan speed, or threetimes to turn the fan off.
- (16) LIGHT HI/LO/OFF Key
Touch LIGHT once for bright light, twice for the night light, or three times to turn the light off.

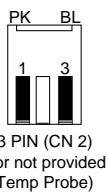
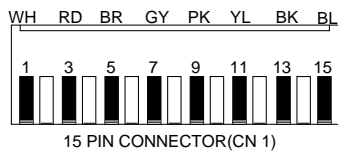
OVERALL CIRCUIT DIAGRAM

SCHEMATIC DIAGRAM

1. DOOR OPENED & COOK OFF MODE.
2. BLUE MARK ON LAMP SOCKET MUST BE CONNECTED TO LIVE PART (BLACK WIRE).
3. ONLY CERTAIN MODELS USE THE ABSOLUTE HUMIDITY SENSOR.



CONTROL MODULE



WIRE COLORS

| SYMBOL | COLOR |
|--------|--------|
| WH | WHITE |
| BK | BLACK |
| RD | RED |
| YL | YELLOW |
| PK | PINK |
| BL | BLUE |
| BR | BROWN |
| GN | GREEN |
| GY | GREY |

MATRIX CIRCUIT FOR TOUCH KEY BOARD

| | 1 | 2 | 3 | 4 | 5 | 6 | 7 |
|----|------------------|-----------------|------------------------|----------------|---------------|-----|---------------------|
| 8 | FROZEN VEGETABLE | POPCORN | FAN(VENT) HI/LO/OFF | HELP | N.C | 5 | 0 |
| 9 | POTATO | FROZEN ENTREE | LIGHT HI/LO/OFF | CUSTOM SET | DEFROST | 6 | 1 |
| 10 | BEVERAGE | DINNER PLATE | EZ on | CLOCK | KITCHEN TIMER | 7 | 2 |
| 11 | CASSEROLE | FRESH VEGETABLE | LIGHT TIMER | N.C | POWER | 8 | 3 |
| 12 | PIZZA | RICE | START | STOP/ CLEAR | HOLD WARM | 9 | 4 |
| 13 | BACON | SOUP/ SAUCE | CUSTOM COOK | LESS | MORE | N.C | TURNTABLE ON/OFF |

GENERAL INFORMATION FOR SERVICE

GENERAL PRECAUTIONS IN USE

A. **Never operate the unit when it is empty.**

Operating the oven with no load may shorten the life of the magnetron. Whenever cooking dry foods (dried fish, bread, etc.) or a small amount of food, be sure to put a glass of water into the cooking compartment. The glass turntable may become hot after operating, be careful when touching it.

B. Aluminum foil should be avoided because it will disrupt cooking and may cause arcing. However, small pieces may be used to cover some parts of food to slow the cooking. Any aluminum foil used should never be closer than 2.5 cm to any side wall of the oven.

- (1) Primary interlock switch
- (2) Secondary interlock switch
- (3) Interlock monitor switch
- (4) Choke system
- (5) Magnetron thermal fuse
- (6) Oven cavity thermostat

(Note: This thermostat located on the oven cavity will open and stop the unit from operation only if a high temperature is reached, such as, a fire created by overcooking food.)

B. Any one of 10 power output levels ranging 100W to 1000W can be selected by the touch control and electronic computer system.

TRIAL OPERATION

After installation, the following sequences and results should be checked carefully.

A. Put a container filled with water (about 1 liter) into the oven, and close the door tightly.

B. Set cooking time for 10 minutes by touching "1" and then "0" three times. "1, 0, 0, 0" appears in the display window.

C. Touch the START key.

Make sure the cavity light comes on. The unit will begin cooking and the display window will show the time counting down by seconds.

D. After about 5 minutes, make sure the primary interlock switch, the secondary interlock switch and the interlock monitor switch operate properly by opening and closing the door several times. Touch the START key each time the door is closed.

E. Continue operating the unit. Two short and a long beep sound signal is heard when the time is up.

The unit will shut off automatically.

F. Confirm the water is hot.

G. Finally, measure the output power according to "POWER OUTPUT MEASUREMENT" on page 7-3.

FEATURES AND SPECIFICATIONS

FEATURES

A. The safety systems incorporated in this model are:

SERVICE INFORMATION

PRECAUTIONS AND REPAIR SERVICE TIPS

PRELIMINARY

A. SINCE NEARLY 2,100 VOLTS EXISTS IN SOME CIRCUITS OF THIS UNIT REPAIRS SHOULD BE CARRIED OUT WITH GREAT CARE.

The filament leads of magnetron carry High Voltage with respect to ground. Extreme caution must be exercised. Never plug the unit into a power source to determine which component is defective in high voltage section.

B. TO AVOID POSSIBLE EXPOSURE TO MICROWAVE ENERGY LEAKAGE, THE FOLLOWING PRECAUTIONS MUST BE TAKEN BEFORE SERVICING.

- (1) Before the power is applied:
 - (a) Make sure the primary interlock switch, the secondary interlock switch and the interlock monitor switch operate properly by opening and closing the door several by opening and closing the door several times.
 - (b) Make sure the perforated screen and the dielectric choke of the door are correctly and firmly mounted.
- (2) After power is applied:
 - (a) Make sure the interlock switch mechanism is operating properly by opening and closing the door.
 - (b) Check microwave energy leakage must be below the limit of 5 mW/cm².
(All service adjustments should be made for minimum microwave energy leakage readings).
- (3) Do not operate the unit until it is completely repaired, if any of the following conditions exist. The unit must not be operated.
 - (a) The door does not close firmly.
 - (b) The hinge is broken.
 - (c) The door seal is damaged.
 - (d) The door is bent or warped, or there is any other visible damage on the unit that may cause microwave energy leakage.

NOTE: Always keep the seal clean.

 - (e) Make sure that there are no defective parts in the interlock mechanism.
 - (f) Make sure that there are no defective parts in the microwave generating and transmission assembly (especially waveguide).
- (4) The following items should be checked after the unit is repaired:
 - (a) The interlock monitor switch is connected correctly and firmly.
 - (b) The magnetron gasket is properly positioned and mounted.
 - (c) The waveguide and the oven cavity are intact. (no microwave energy leakage)
 - (d) The door can be properly closed and the safety switches work properly.
 - (e) The unit must stop when the door is opened or the time is up.

The unit must not be operated with any of the above components removed or by-passed.

MICROWAVE LEAKAGE TEST

CAUTIONS

- Be sure to check microwave leakage prior to servicing the oven if the oven is operative prior to servicing.
- The service personnel should inform the manufacture importer, or assembler of any certified oven unit found to have a microwave emission level in excess of 5 mW/cm² and should repair any unit found to have excessive emission levels at no cost to the owner and should ascertain the cause of the excessive leakage. The service personnel should instruct the owner not to use the unit until the oven has been brought into compliance.
- If the oven operates with the door open, the service personnel should:
 - Tell the user not to operate the oven.
 - Contact the manufacturer and CDRH (Center for Devices and Radiological Health) immediately.

NOTE: Address on CDRH

Office of Compliance(HFZ-312)
Center for Devices and Radiological
Health 1390, Piccard Drive,
Rockville. MD 20850

- The service personnel should check all surface and vent openings for microwave leakage.
- Check for microwave leakage after every servicing. The power density of the microwave radiation leakage emitted by the microwave oven should not exceed 4 mW/cm². Always start measuring of an unknown field to assure safety for operating personnel from radiation leakage.

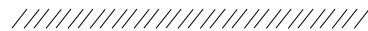
EQUIPMENT

- TESTER (VOLTS-DC, AC, Ohmmeter)
- Microwave survey meter
 - Holaday HI-1500
HI-1501
 - Narda 8100
8200
- 600 cc non conductive material beaker (glass or plastic), inside diameter: approx. 8.5 cm (3¹/₂ in.)
- Glass thermometer: 100°C or 212°F (1 deg scale)

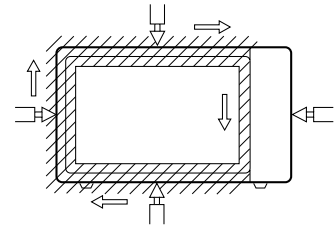
MEASURING MICROWAVE ENERGY LEAKAGE

- Pour 275±15cc of 20±5°C(68±9°F) water in a beaker which is graduated to 600 cc, and place the beaker on the center of the turntable.
- Set the energy leakage monitor to 2,450 MHz and use it following the manufacturer's recommended test procedure to assure correct result.
- When measuring the leakage, always use the 2-inch (5cm) spacer supplied with the probe.
- Operate the oven at its maximum output.
- Measure the microwave radiation using and electromagnetic radiation monitor by holding the probe perpendicular to the surface being measured.

Move probe along shaded area.



Probe scanning speed
Less than 2.5 cm/sec. (1 in/sec)



MEASUREMENT WITH THE OUTER CASE REMOVED

- (1) When you replace the magnetron, measure for microwave energy leakage before the outer case is installed and after all necessary components are replaced or adjusted. Special care should be taken in measuring the following parts.
 - Around the magnetron
 - The waveguide

WARNING: AVOID CONTACTING ANY HIGH VOLTAGE PARTS.

MEASUREMENT WITH A FULLY ASSEMBLED OVEN

- (1) After all components, including the outer panels, are fully assembled, measure for microwave energy leakage around the door viewing window, the exhaust opening and air inlet openings.
- (2) Microwave energy leakage must not exceed the values prescribed below.

NOTES:

Leakage with the outer panels removed - less than 5 mW/cm².

Leakage for a fully assembled oven ("Before the latch switch (primary) is interrupted") with the door in a slightly opened position - less than 2 mW/cm².

NOTE WHEN MEASURING

- (1) Do not exceed meter full scale deflection.
- (2) The test probe must be removed no faster than 1 inch/sec (2.5cm/sec) along the shaded area, otherwise a false reading may result.
- (3) The test probe must be held with the grip portion of the handle. A false reading may result if the operator's hand is between the handle and the probe.
- (4) When testing near a corner of the door, keep the probe perpendicular to the surface making sure the probe horizontally along the oven surface, this may possibly cause probe damage.

RECORD KEEPING AND NOTIFICATION AFTER MEASUREMENT

- (1) After adjustment and repair of any microwave energy interruption or microwave energy blocking device, record the measured values for future reference. Also enter the information on the service invoice.
- (2) Should the microwave energy leakage not be more than 2 mW/cm² after determining that all parts are in good condition, functioning properly and genuine replacement parts which are listed in this manual have been used.
- (3) At least once a year, have the electromagnetic energy leakage monitor checked for calibration by its manufacturer.

POWER OUTPUT MEASUREMENT

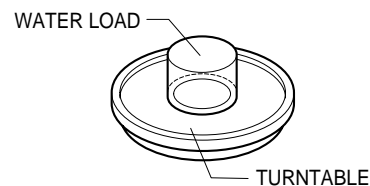
- (1) Microwave power output measurement is made with the microwave oven supplied at its rated voltage and operated at its maximum microwave power setting with a load of (1000±5) g of potable water.
- (2) The water is contained in a cylindrical borosilicate glass vessel having a maximum material thickness of 1/8" (3 mm) and an outside diameter of approximately 7.6" (190mm).
- (3) The oven and the empty vessel are at ambient temperature prior to the start of the test.
- (4) The initial temperature (T₁) of the water is (10±2)°C (50°F) It is measured immediately before the water is added to the vessel. After addition of the water to the vessel, the load is immediately placed on the center of the turntable which is in the lowest position and the microwave power switched on.
- (5) The time T for the temperature of the water to rise by a value ΔT of (10±2)°K is measured, where T is the time in seconds and ΔT is the temperature rise. The initial and final water temperatures are selected so that the maximum difference between the final water temperature and the ambient temperature is 5°K.

- (6) The microwave power output P in watts is calculated from the following formula :

$$P = \frac{4187 \times (\Delta T)}{T}$$

is measured while the microwave generator is operating at full power. Magnetron filament heat-up time is not included. (about 3 sec)

- (7) The water is stirred to equalize temperature throughout the vessel, prior to measuring the final water temperature.
- (8) Stirring devices and measuring instruments are selected in order to minimize addition or removal of heat.



DISASSEMBLY INSTRUCTIONS

IMPORTANT NOTES:

UNIT MUST BE DISCONNECTED FROM ELECTRICAL OUTLET WHEN MAKING REPAIRS, REPLACEMENTS, ADJUSTMENTS AND CONTINUITY CHECKS. WAIT AT LEAST ONE MINUTE, UNTIL THE HIGH VOLTAGE CAPACITOR IN THE HIGH VOLTAGE POWER SUPPLY HAS FULLY DISCHARGED.

THE CAPACITOR SHOULD BE DISCHARGED BY USING INSULATED WIRE - I.E. TEST PROBE CONNECTED TO 10K-OHM RESISTOR IN SERIES TO GROUND.

WHEN RECONNECTING THE WIRE LEADS TO ANY PART, MAKE SURE THE WIRING CONNECTIONS AND LEAD COLORS ARE CORRECTLY MATCHED ACCORDING TO THE OVERALL CIRCUIT DIAGRAM. (ESPECIALLY SWITCHES AND HIGH VOLTAGE CIRCUIT.)

A. REMOVING POWER AND CONTROL CIRCUIT BOARD (Figures 1, 2 and 3)

- (1) Remove a screw securing the control panel assembly to the oven cavity.
- (2) Remove the control panel with pushing it upward.
- (3) Remove the three connectors (CN1, CN2) and wire leads (Relay 2 and Relay 6) from the circuit board.

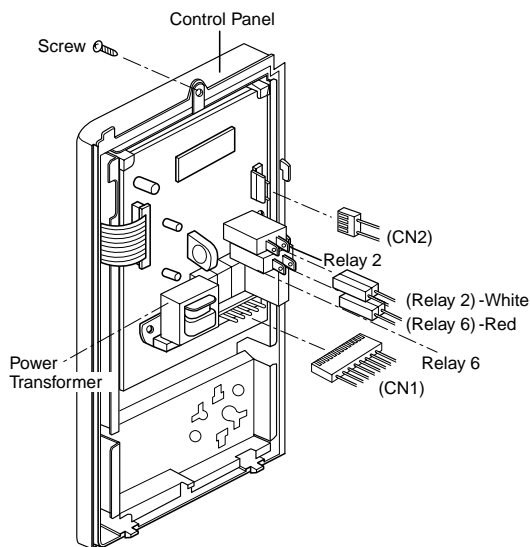


Figure 1

⚠ CAUTION: The relay connector 2(White) and 6(Red) must be correctly connected Relay 2 and Relay 6 for each. These two connectors are not interchangeable.

- (4) Remove 3 screws securing the circuit board.

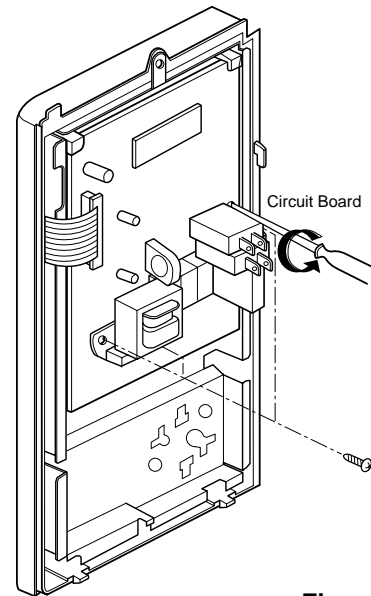


Figure 2

- (5) Remove the FPC connector from the terminal socket following "HOW TO REMOVE THE FPC CONNECTOR" on the next page.
- (6) Remove the circuit board from the control bracket carefully.

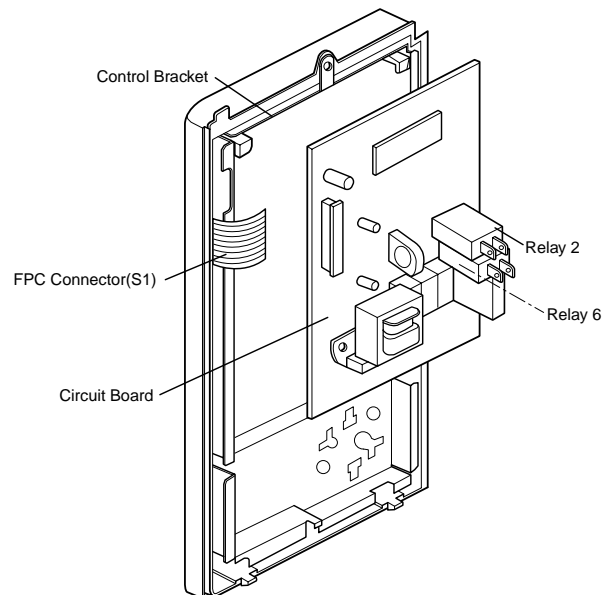


Figure 3

HOW TO REMOVE THE F.P.C. CONNECTOR

Follow the steps below as illustrated in Figures 4 and 5 to remove the F.P.C. connector.

- (1) Hold the edges of the plastic fastener with thumb and forefinger.
(Figure 4)
- (2) Lift up the lever of the plastic fastener from the terminal socket by lightly pressing the lever end with forefinger.
(Figure 5)
- (3) Remove the F.P.C. connector from the terminal socket.

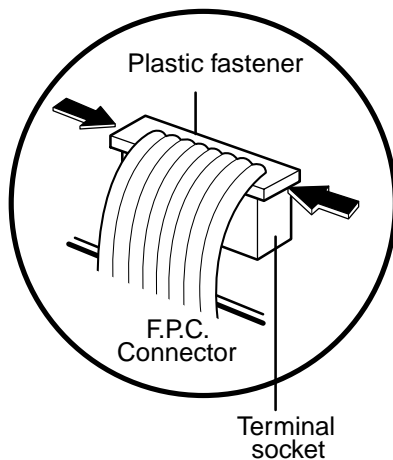


Figure 4

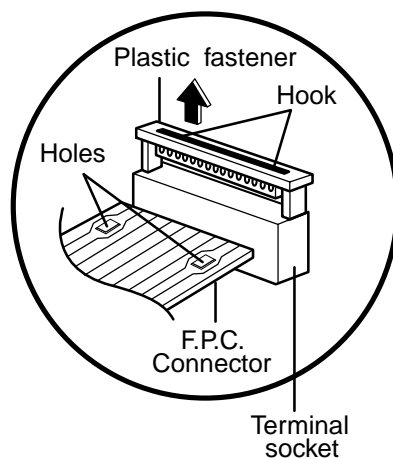


Figure 5

HOW TO INSERT THE F.P.C. CONNECTOR

Follow the steps below as illustrated in Figures 6 and 7 to insert the F.P.C. connector.

- (1) Insert the F.P.C. connector into the terminal socket securely with the fingers.
- (2) Hold the plastic fastener with thumb and forefinger of the other hand, and push it slowly into the terminal socket. (Figure 6)

NOTE: When reconnecting the F.P.C. connector make sure that the holes on the F.P.C. connector are properly engaged with the hooks on the plastic fastener

- (3) Lock the level of the plastic fastener into the hook of the terminal socket securely by releasing the fingers.
(Figure 7)

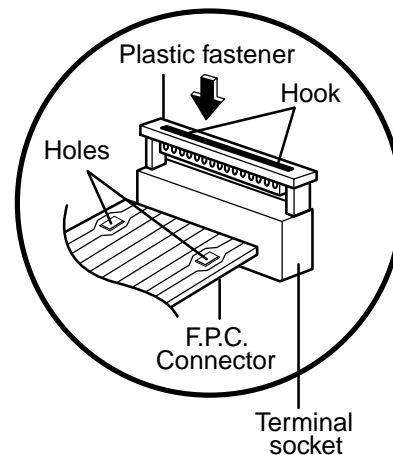


Figure 6

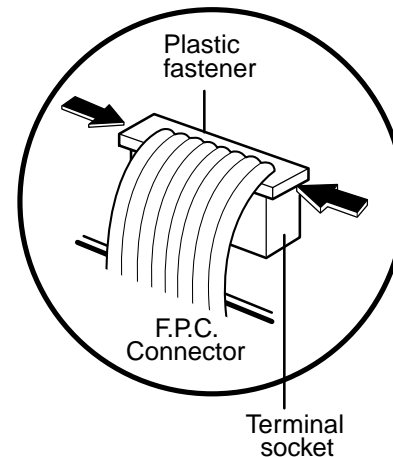


Figure 7

B. REMOVING THE OUT CASE(Figure 8)

- (1) Remove the vent grille by removing two screws securing it to the out case.
- (2) Remove two screws securing it to the front bracket.
- (3) Remove two screws securing it to the air duct.
- (4) Remove the mounting plate by turning the two screws securing it to the out case.
- (5) Remove the base plate by removing six screws securing it to the out case. Remove the Mount, All from the out case by removing two screws securing it to the out case and one screw securing it to the ventilation motor ASS'Y and cavity.
- (6) Remove the power cord cover from outcase by removing a screw.
- (7) Remove the power cord to the inner of the out case with turning power cord and remove the out case with pushing it back.

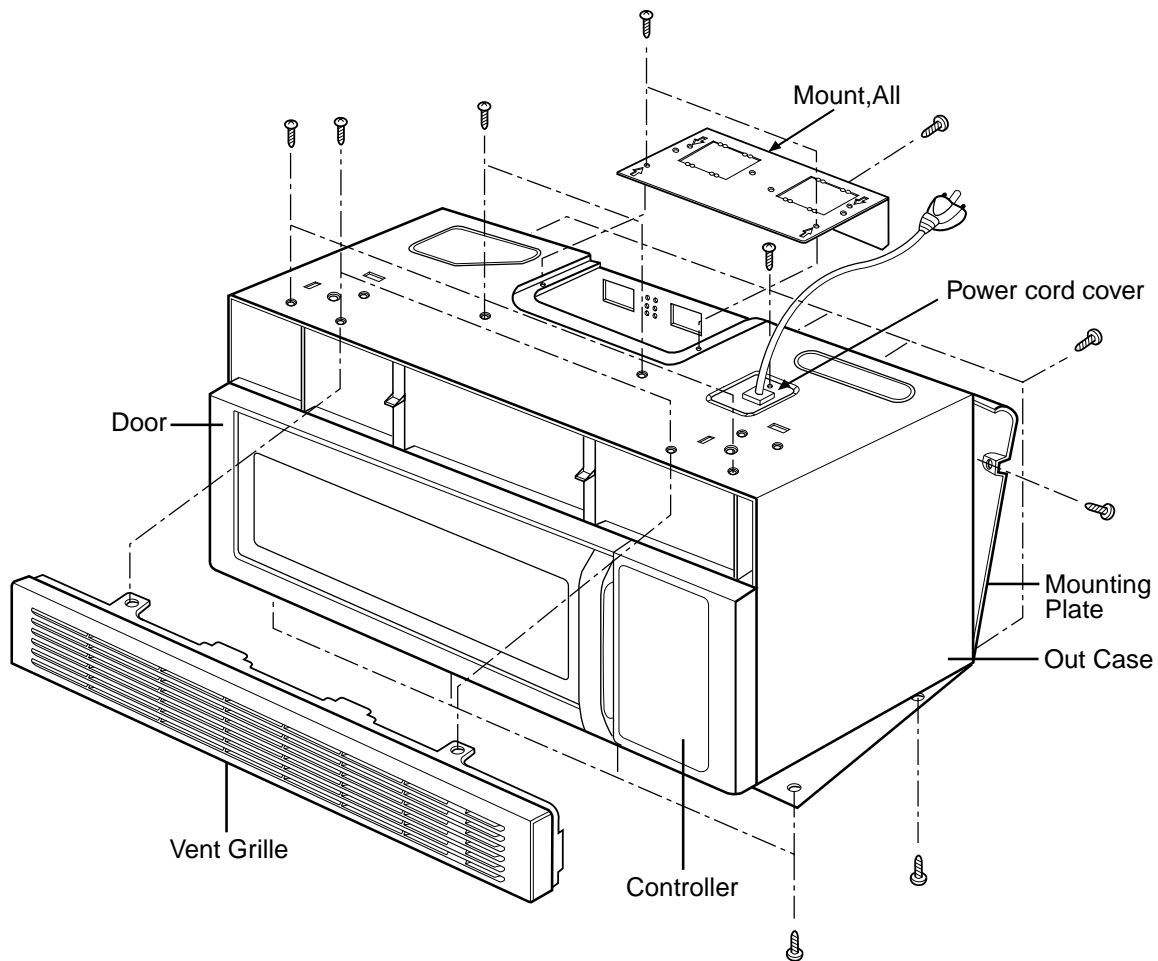


Figure 8

C REMOVING THE DOOR INTERLOCK SWITCHES (Figures 9,10)

- (1) Disconnect the wire leads from the interlock switches.
- (2) Remove two screws securing the Latch Board.
- (3) Make necessary replacements and check microwave energy leakage according to "ADJUSTMENT PROCEDURE" on page 7-12.

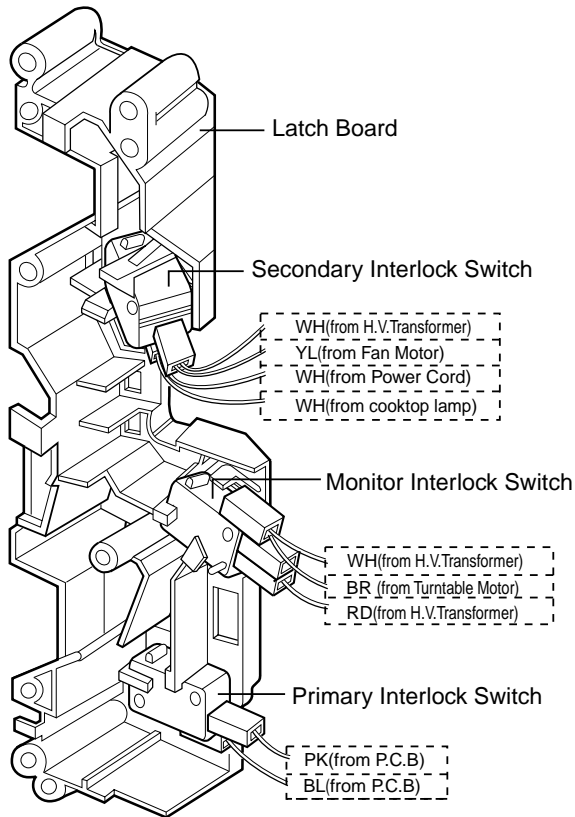


Figure 9

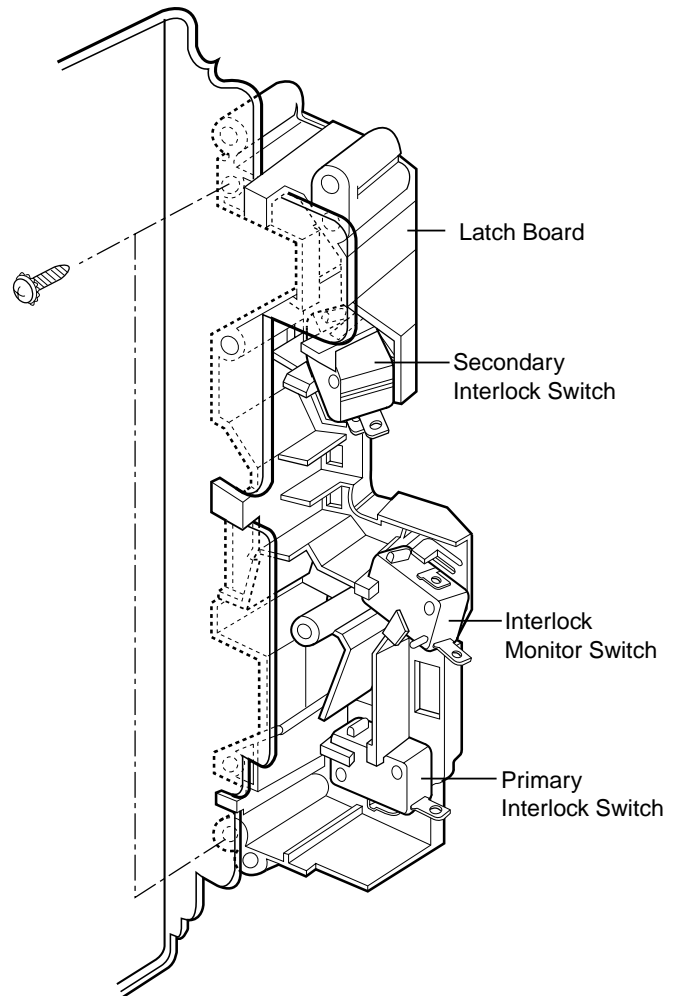


Figure 10

WIRE COLOR

| SYMBOL | COLOR |
|--------|--------------|
| WH | WHITE |
| BK | BLACK |
| BR | BROWN |
| RD | RED |
| BL | BLUE |
| PK | PINK |
| GY | GREY |
| N.P. | Not Provided |

D. REMOVING MAGNETRON

(Figures 11 Through 14)

- (1) Remove the vent grille by removing two screws. (Figure 11)
- (2) Remove the controller by removing a screw and disconnect all wire leads. (Figure 11)
- (3) Remove the mount all from the out case by removing two screws securing it to the out case and one screw securing it to the ventilation motor ASS'Y and cavity. (Figure 12)
- (4) Remove the base plate by removing six screws securing it to the oven front plate and outcase, remove the outcase by removing nine screws securing it to the oven back plate, air duct, and front bracket. (Figure 13)
- (5) Remove four tap tite screws securing the magnetron to the wave guide. (Figure 14)
- (6) Remove the magnetron VERY CAREFULLY.

NOTES:

- When removing the magnetron, make sure that its dome does not hit any adjacent parts, or it may be damaged.
- When replacing the magnetron, be sure to install the magnetron gasket in the correct position and be sure that the gasket is in good condition.
- After replacing the magnetron, check for microwave energy leakage with a survey meter. Check microwave energy leakage must be below the limit of 5 mW/cm². (All service adjustments should be made for minimum microwave energy leakage readings.)

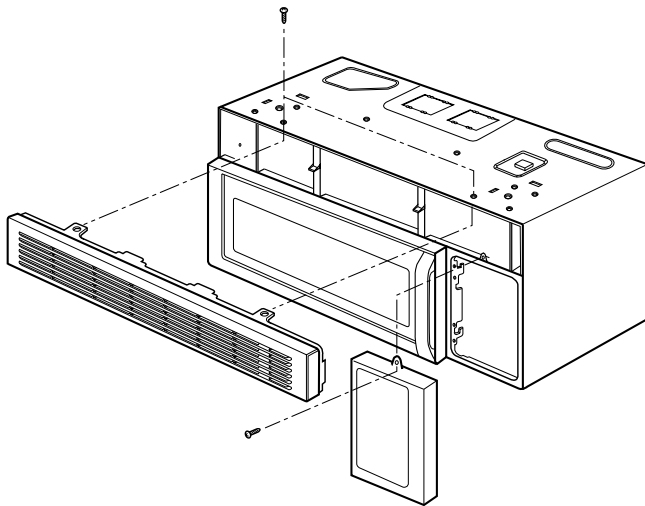


Figure 11

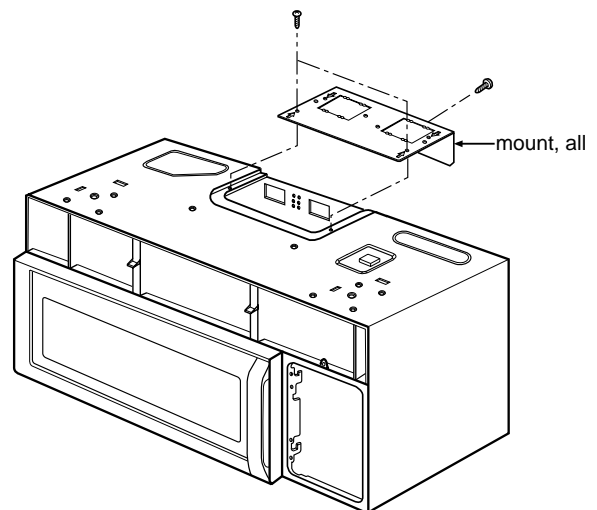


Figure 12

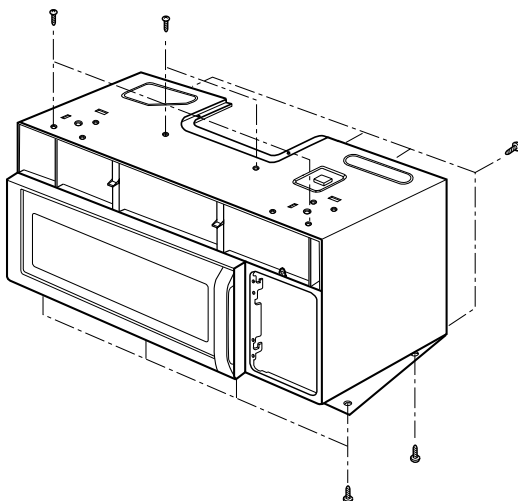


Figure 13

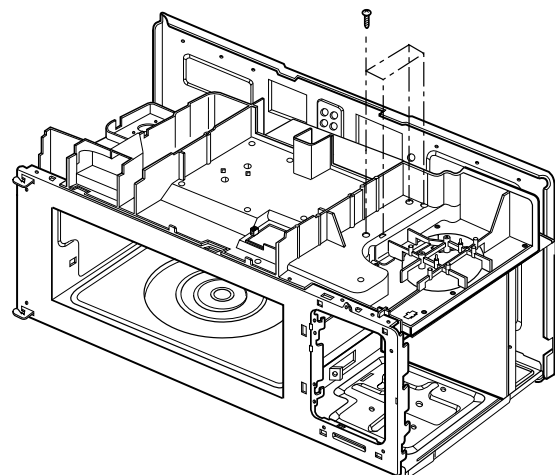


Figure 14

E. REMOVING STIRRER FAN DISK

(Figures 15 and 16)

- (1) Remove 1 rivet ASS'Y securing it to the oven upper plate by using knife blade.
- (2) Rotate slightly and pull out the stirrer fan cover.
- (3) Remove the stirrer fan disk.

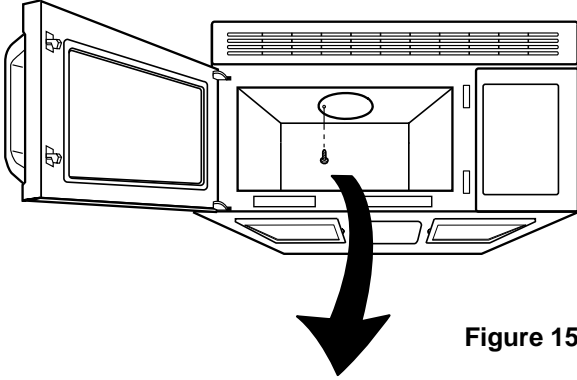


Figure 15

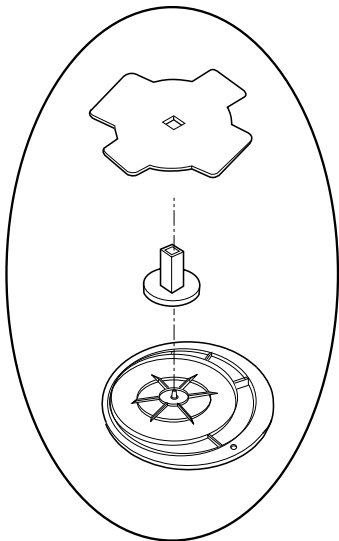


Figure 16

F. REMOVING DOOR (Figure 17)

- (1) Remove the vent grille by removing two screws securing it to the front bracket.
- (2) Lift up and push the door.

NOTES:

- After replacing the door, be sure to check that the primary interlock switch, the secondary interlock switch and the interlock monitor switch operate normally.
- After replacing the door, check for microwave energy leakage with a survey meter. Microwave energy leakage must be below the limit of $5\text{mW}/\text{cm}^2$. (With a 275 ml water load)

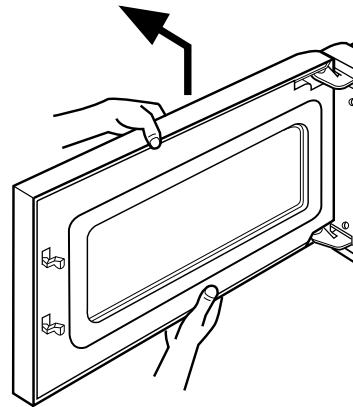


Figure 17

G. DISASSEMBLING DOOR (Figure 18)

- (1) Remove the dielectric choke by using knife blade or small screw driver, etc.
- (2) Remove two screws securing it to the door handle.

CAUTION: Be careful not to damage door seal plate with the screwdriver.

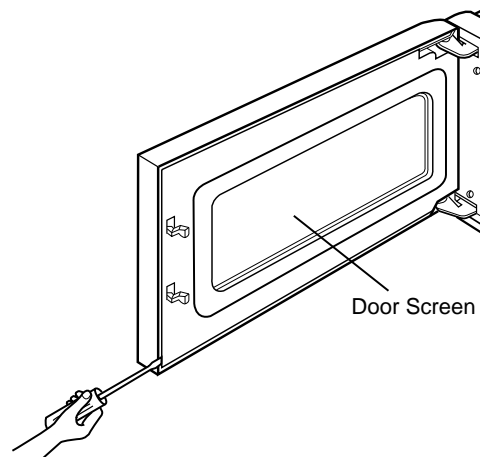
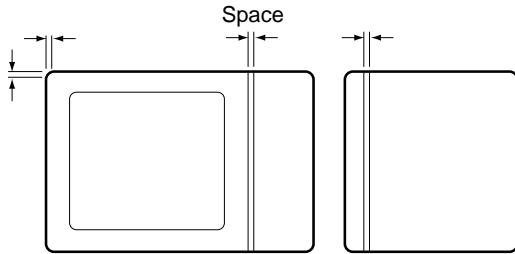


Figure 18

H. ASSEMBLING DOOR

- (1) When mounting the door assembly to the oven assembly, be sure to adjust the door assembly parallel to the chassis. Also adjust so the door has no play between the inner door surface and oven frame assembly. If the door assembly is not mounted properly, microwaves may leak from the clearance between the door and the oven.



- (3) Carefully pull the ventilation motor ASS'Y out of the microwave oven. (See Figure 20-b)

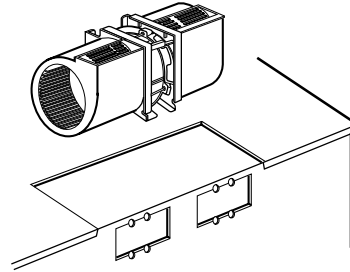


Figure 20-b

I. REMOVING THE VENTILATION FAN ASS'Y

- (1) Remove the mounting plate by removing two screws securing it to the back plate. (See Figure 19)
- (2) Remove the two screws securing the MOUNT, ALL and one screw securing the ventilation fan ASS'Y. (See Figure 20-a)

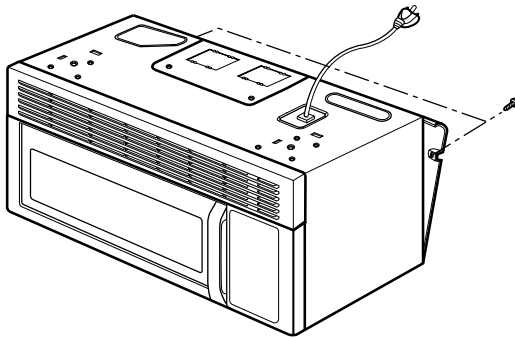


Figure 19

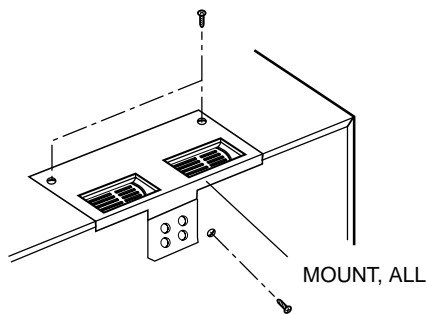


Figure 20-a

K. REMOVING THE TURNTABLE MOTOR

- (1) Remove the turntable.
- (2) Remove the turntable shaft VERY CAREFULLY with a slotted screwdriver. (Figure 21)
- (3) Remove the base plate by removing 6 screws securing it to the oven cavity. (Figure 22)
- (4) Disconnect the leadwire from the turntable motor terminals.
- (5) Remove the 2 screws securing the turntable motor to the oven cavity ASS'Y. (Figure 23)

NOTES:

- Remove the leadwire from the turntable motor VERY CAREFULLY.
- Be sure to grasp the connector not the wires when removing.

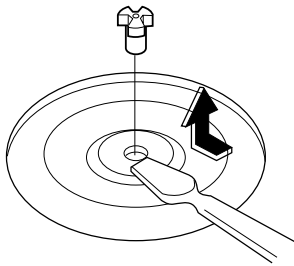


Figure 21

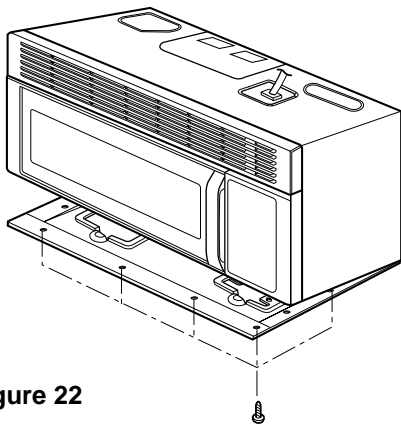


Figure 22

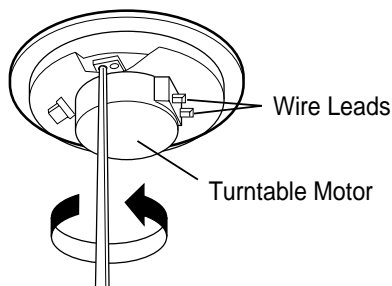


Figure 23

K. REMOVING THE STIRRER FAN MOTOR

- (1) Remove all screws from out case and remove the out case.
- (2) Remove 5 screws securing the air duct to the oven cavity, and remove 2 screws securing the stirrer fan motor to the bracket. (Figure 24)
- (3) Lift the air duct and disconnect the leadwire from the stirrer fan motor. (Figure 25)
- (4) Remove the stirrer fan motor.

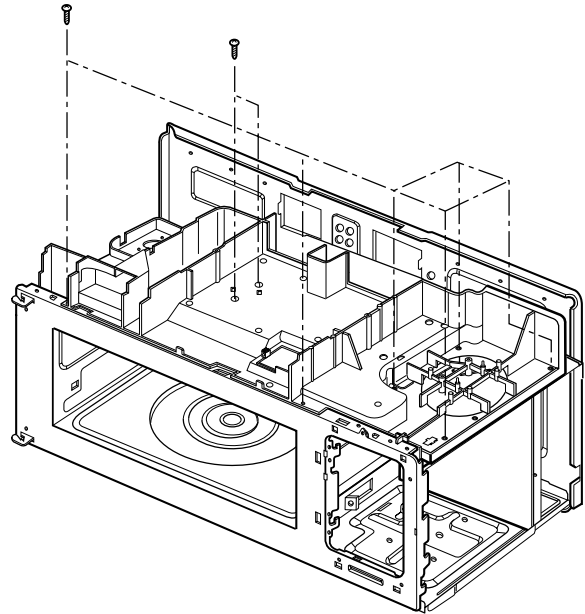


Figure 24

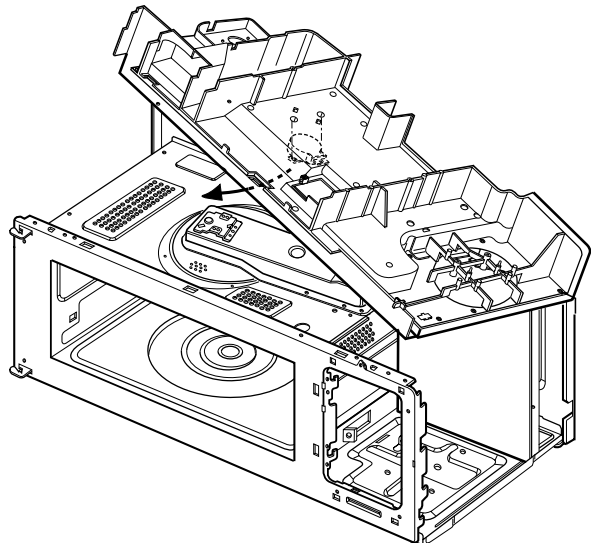


Figure 25

INTERLOCK SYSTEM

INTERLOCK MECHANISM

The door lock mechanism is a device which has been specially designed to eliminate completely microwave activity when the door is opened during cooking and thus to prevent the danger resulting from the microwave leakage.

ADJUSTMENT PROCEDURES

To avoid possible exposure to microwave energy leakage, adjust the door latches and interlock switches, using the following procedure.

The Interlock Monitor and Primary Interlock Switch act as the final safety switch protecting the user from microwave energy. The terminals between "COM" and "NC" of the Interlock Monitor must close when the door is opened. After adjusting the Interlock Monitor Switch, make sure that it is correctly connected.

Mounting of the primary/monitor/secondary switches to the latch board.

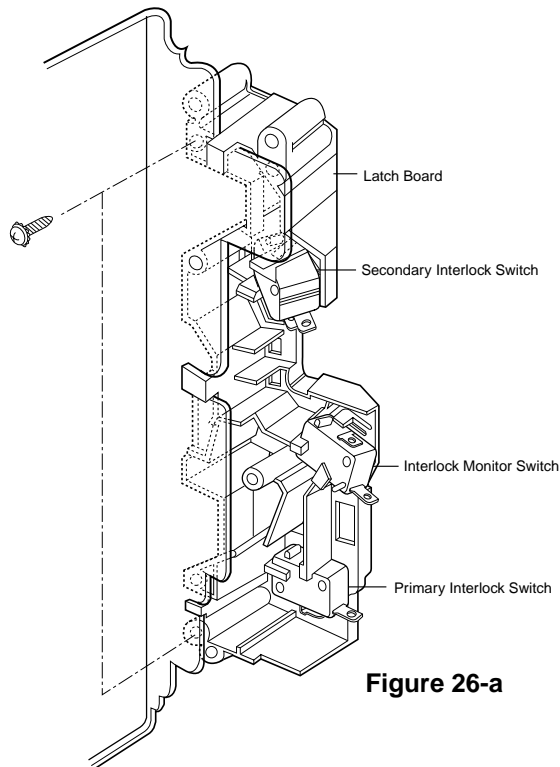


Figure 26-a

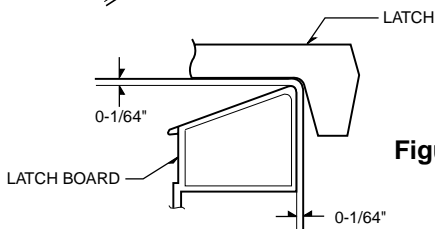


Figure 26-b

CHECK THE DOOR LATCH AND SWITCH CLOSING.

NOTE:

The outer cover of the microwave oven is removed.

- (1) Set the microwave oven on its side so that you can see the latch board and the switches, as shown in Figure 26-a.
- (2) Close the door tightly and check gaps A and B to be sure they are no more than 1/64" (0.5 mm). See Figure 26-b for close-up view of gaps A and B (door latches). If all gaps are less than 1/64" (0.5 mm), adjustment of the latch board may not be necessary. Go to Steps 5 and 6 to check the sequence of the switches.

NOTE:

To correct sequence of the Primary Interlock Switch, Secondary Interlock Switch and the Interlock Monitor Switch is very important.

If any gap is larger than 1/64" (0.5 mm), you will need to adjust the latch board". Go to step 3 and follow all steps in order.

ADJUST THE LATCH AND SWITCH CLOSING

- (3) Loosen the two screws holding the plastic latch board as shown.
- (4) With the oven door closed tightly, move the latch board upward toward the top of the oven and/or away from the door latch until the gaps are less than 1/64" (0.5 mm). Hold the latch board tightly in this position until you check the sequence of the switches in steps 5 and 6.

TEST THE LATCH AND SWITCH SEQUENCE

(5) Open the oven door slowly. Watch the door latch, the Secondary Switch. Release Rod and Lever on the switches to make sure they are zero to the body of the switches in the following sequence:

- Primary Interlock Switch
- Secondary Interlock Switch
- Interlock Monitor Switch

Adjust the latch board until the switches operate in this sequence. See Steps 3 and 4.

(6) Close the oven door slowly and be sure it is tightly closed. Watch the three switches to make sure they are zero to the body of the switches in the following sequence:

- Interlock Monitor Switch
- Primary Interlock Switch
- Secondary Interlock Switch

NOTE: The Interlock Monitor Switch is an added safety check on the Primary and Secondary Interlock Switches. If the Primary and Secondary Interlock Switches allow the oven to operate with the door open, the Monitor Switch will blow the fuse.

(7) When you achieve the proper sequence of switches in Steps 5 and 6, tighten the latch board screws at that point.

TEST THE MICROWAVE ENERGY LEAKAGE

Make sure the microwave energy leakage is below the limit of 1mW/cm² (with a 275 ml water load) and 5mW/cm² (with a 275 ml water load without the cabinet) when measured with a survey meter.

INTERLOCK CONTINUITY TEST

A. PRIMARY INTERLOCK SWITCH TEST

When the door is opened slowly, an audible **click** should be heard at the same time or successively at intervals and the latches should activate the switches with an audible **click**.

If the latches do not activate the switches when the door is closed, the switches should be adjusted in accordance with the adjustment procedure.

Disconnect the wire lead from the primary switch. Connect the ohmmeter leads to the common (COM) and normally open (NO) terminal of the switch. The meter should indicate an open circuit in the door open condition.

When the door is closed, the meter should indicate a closed circuit.

When the primary switch operation is abnormal, make the necessary adjustment or replace the switch only with the same type of switch.

B. SECONDARY INTERLOCK SWITCH TEST

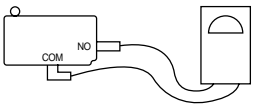

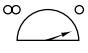
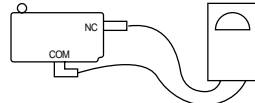
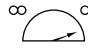

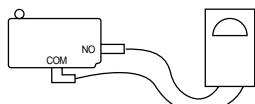
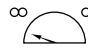
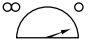
Disconnect the wire lead from the secondary switch.

Connect the ohmmeter leads to the common (COM) and normally open (NO) terminals of the switch. The meter should indicate a open circuit in the door open condition. When the door is closed, meter should indicate an closed circuit. When the secondary switch operation is abnormal, make the necessary adjustment or replace the switch only with the same type of switch.

C. MONITOR SWITCH TEST

Disconnect the wire lead from the monitor switch. Connect the ohmmeter leads to the common (COM) and normally closed (NC) terminals of the switch. The meter should indicate closed circuit in the door open condition. When the door is closed, meter should indicate an open circuit. When the monitor switch operation is abnormal, replace with the same type of switch.

NOTE: After repairing the door or the interlock system, it is necessary to do this continuity test before operating the oven.

| COMPONENTS | TEST PROCEDURE | | RESULTS | |
|--|--|---|---|---|
| SWITCHES (Wire leads removed) | Check for continuity of the switch with an Ohm-meter | | Door open | Door closed |
| Primary Switch | |  |  |  |
| Monitor Switch | |  |  |  |
| Secondary Switch | |  |  |  |
| NOTE : After checking for the continuity of switches, make sure that they are connected correctly. | | | | |

WARNING : FOR CONTINUED PROTECTION AGAINST EXCESSIVE RADIATION EMISSION, REPLACE ONLY WITH IDENTICAL REPLACEMENT PARTS.

TYPE NO. SZM-V16-FA-63 OR VP-533A-OF FOR PRIMARY SWITCH

TYPE NO. SZM-V16-FA-62 OR VP-532A-OF FOR MONITOR SWITCH

TYPE NO. SZM-V16-FA-63 OR VP-533A-OF FOR SECONDARY SWITCH

TEST AND CHECKOUT PROCEDURES, AND TROUBLE SHOOTING

- CAUTIONS -

- DISCONNECT THE POWER SUPPLY CORD FROM THE WALL OUTLET WHENEVER REMOVING THE CABINET FROM THE UNIT. PROCEED WITH THE TESTS ONLY AFTER DISCHARGING THE HIGH VOLTAGE CAPACITOR AND REMOVING THE WIRE LEADS FROM THE PRIMARY WINDING OF THE HIGH VOLTAGE TRANSFORMER. (SEE FIGURE 27)
- ALL OPERATIONAL CHECKS WITH MICROWAVE ENERGY MUST BE DONE WITH A LOAD (1 LITER OF WATER IN CONTAINER) IN THE OVEN.

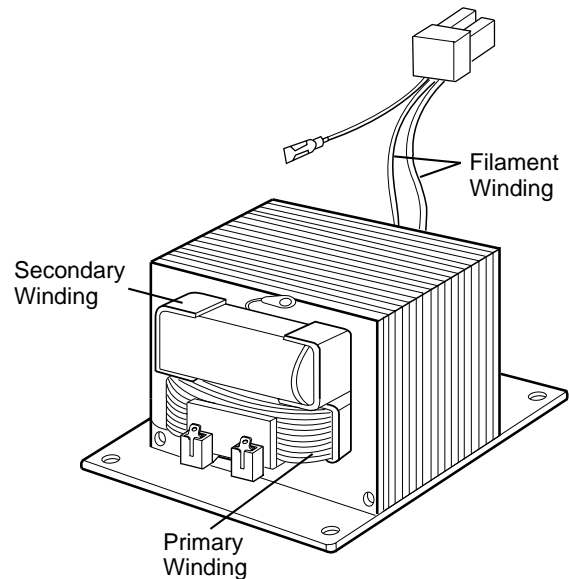
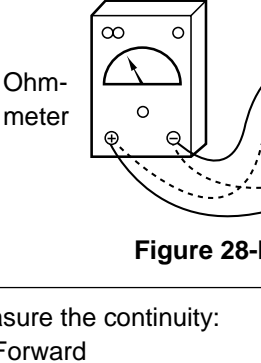
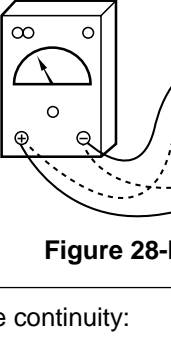
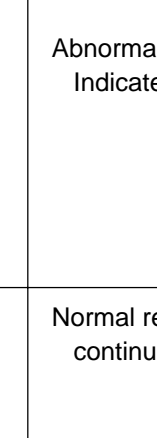



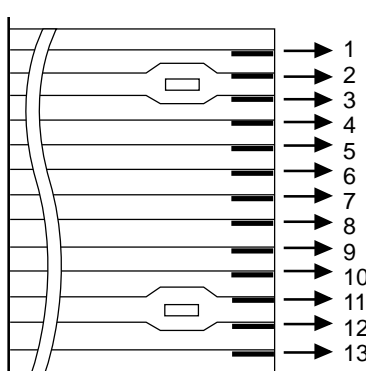
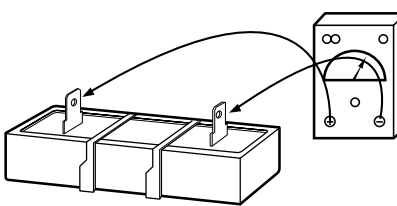
Figure 27

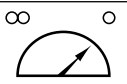
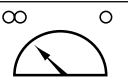
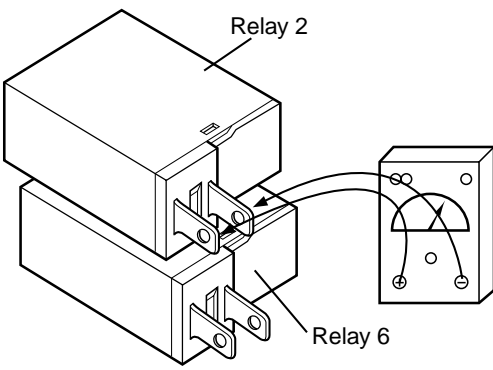
A. TEST PROCEDURES

| COMPONENTS | TEST PROCEDURES | RESULTS |
|--|---|---|
| MAGNETRON (Wire leads are removed) | <ol style="list-style-type: none"> 1) Measure the resistance: Across the filament terminals of the magnetron with an ohm-meter on Rx1 scale. 2) Measure the resistance: Between each filament terminal of the magnetron and the chassis ground with an ohm-meter on high test scale. | <p>Normal reading: Less than 1 ohm.</p> <p>Normal reading: Infinite ohms.</p> <p>NOTE: Replace the magnetron, if the magnetron checks and all of the high voltage component tests are good, but the unit still does not heat a load.</p> |
| HIGH-VOLTAGE TRANSFORMER (Wire leads are removed) | <ol style="list-style-type: none"> 1) Measure the resistance: With an ohm-meter on Rx1 scale. <ol style="list-style-type: none"> a. Primary winding; b. Filament winding; c. Secondary winding; 2) Measure the resistance: With an ohm-meter on highest scale. <ol style="list-style-type: none"> a. Primary winding to ground; b. Filament winding to ground; | <p>Normal readings: Approx. 0.3 to 0.5 ohm. Less than 0.1 ohm. Approx. 65 to 120 ohms.</p> <p>Normal readings: Infinite ohms. Infinite ohms.</p> |

NOTE: A MICROWAVE ENERGY LEAKAGE TEST MUST ALWAYS BE PERFORMED WHEN THE UNIT IS SERVICED FOR ANY REASON.

| COMPONENTS | TEST PROCEDURES | RESULTS |
|------------------------|---|---|
| HIGH-VOLTAGE CAPACITOR | Measure the resistance: (1) Terminal to terminal  <p style="text-align: center;">Figure 28-a</p> | Normal reading: Momentarily indicates several ohms, and then gradually returns to infinite ohms. Abnormal reading: Indicates continuity or infinite ohms from the beginning. |
| | (2) Terminal to case  <p style="text-align: center;">Figure 28-b</p> | Normal readings: Infinite. Abnormal reading: Indicates continuity. |
| HIGH-VOLTAGE DIODE | Measure the continuity: (1) Forward  <p style="text-align: center;">Figure 29-a</p> | Normal readings: continuity. Abnormal reading: Infinite. |
| | (1) Reverse  <p style="text-align: center;">Figure 29-b</p> | Normal readings: Infinite. Abnormal reading: continuity. |

| COMPONENTS | TEST PROCEDURES | RESULTS | | | | | | | | | | | | | | | | | | | | | | | | | | | | | | | | | | | | | | | | | | | | | | | | | | | | | | | | | | | | | | |
|---|---|---|----------------------|------------|---------------|-----|------------------|---|---|---|------------------|---------|---------------------|------|-----|---|---|---|--------|---------------|-----------------|------------|---------|---|---|----|----------|--------------|-------|-------|---------------|---|---|----|-----------|-----------------|-------------|-----|-------|---|---|----|-------|------|-------|------------|-----------|---|---|----|-------|-------------|-------------|------|------|-----|------------------|--|------------------|--------------|------------------|--|--------------------|----------------------|
| <p style="text-align: center;">TOUCH KEY BOARD</p> | <p>Measure the resistance between terminal pins of connector KEY CONNECTOR.</p> <p>NOTE: When reconnecting the FPC connector, make sure that the holes on the FPC connector are properly engaged with hooks on the plastic fastener.</p> <p style="text-align: center;">MATRIX CIRCUIT FOR TOUCH KEY BOARD CONNECTOR(KEY CON)</p> <table border="1" style="margin-left: auto; margin-right: auto;"> <thead> <tr> <th></th> <th>1</th> <th>2</th> <th>3</th> <th>4</th> <th>5</th> <th>6</th> <th>7</th> </tr> </thead> <tbody> <tr> <th>8</th> <td>FROZEN VEGETABLE</td> <td>POPCORN</td> <td>FAN(VENT) HI/LO/OFF</td> <td>HELP</td> <td>N.C</td> <td>5</td> <td>0</td> </tr> <tr> <th>9</th> <td>POTATO</td> <td>FROZEN ENTREE</td> <td>LIGHT HI/LO/OFF</td> <td>CUSTOM SET</td> <td>DEFROST</td> <td>6</td> <td>1</td> </tr> <tr> <th>10</th> <td>BEVERAGE</td> <td>DINNER PLATE</td> <td>EZ on</td> <td>CLOCK</td> <td>KITCHEN TIMER</td> <td>7</td> <td>2</td> </tr> <tr> <th>11</th> <td>CASSEROLE</td> <td>FRESH VEGETABLE</td> <td>LIGHT TIMER</td> <td>N.C</td> <td>POWER</td> <td>8</td> <td>3</td> </tr> <tr> <th>12</th> <td>PIZZA</td> <td>RICE</td> <td>START</td> <td>STOP/CLEAR</td> <td>HOLD WARM</td> <td>9</td> <td>4</td> </tr> <tr> <th>13</th> <td>BACON</td> <td>SOUP/ SAUCE</td> <td>CUSTOM COOK</td> <td>LESS</td> <td>MORE</td> <td>N.C</td> <td>TURNTABLE ON/OFF</td> </tr> </tbody> </table> <p style="text-align: center;">Figure 30</p> | | 1 | 2 | 3 | 4 | 5 | 6 | 7 | 8 | FROZEN VEGETABLE | POPCORN | FAN(VENT) HI/LO/OFF | HELP | N.C | 5 | 0 | 9 | POTATO | FROZEN ENTREE | LIGHT HI/LO/OFF | CUSTOM SET | DEFROST | 6 | 1 | 10 | BEVERAGE | DINNER PLATE | EZ on | CLOCK | KITCHEN TIMER | 7 | 2 | 11 | CASSEROLE | FRESH VEGETABLE | LIGHT TIMER | N.C | POWER | 8 | 3 | 12 | PIZZA | RICE | START | STOP/CLEAR | HOLD WARM | 9 | 4 | 13 | BACON | SOUP/ SAUCE | CUSTOM COOK | LESS | MORE | N.C | TURNTABLE ON/OFF | <table border="1" style="margin-left: auto; margin-right: auto;"> <thead> <tr> <th rowspan="2">Resistance value</th> <th>When touched</th> <th>When not touched</th> </tr> </thead> <tbody> <tr> <td></td> <td>Less than 400 ohms</td> <td>More than 1 mega ohm</td> </tr> </tbody> </table> <p style="text-align: center;">FPC CONNECTOR Top</p>  <p style="text-align: center;">Figure 31</p> | Resistance value | When touched | When not touched | | Less than 400 ohms | More than 1 mega ohm |
| | 1 | 2 | 3 | 4 | 5 | 6 | 7 | | | | | | | | | | | | | | | | | | | | | | | | | | | | | | | | | | | | | | | | | | | | | | | | | | | | | | | | | |
| 8 | FROZEN VEGETABLE | POPCORN | FAN(VENT) HI/LO/OFF | HELP | N.C | 5 | 0 | | | | | | | | | | | | | | | | | | | | | | | | | | | | | | | | | | | | | | | | | | | | | | | | | | | | | | | | | |
| 9 | POTATO | FROZEN ENTREE | LIGHT HI/LO/OFF | CUSTOM SET | DEFROST | 6 | 1 | | | | | | | | | | | | | | | | | | | | | | | | | | | | | | | | | | | | | | | | | | | | | | | | | | | | | | | | | |
| 10 | BEVERAGE | DINNER PLATE | EZ on | CLOCK | KITCHEN TIMER | 7 | 2 | | | | | | | | | | | | | | | | | | | | | | | | | | | | | | | | | | | | | | | | | | | | | | | | | | | | | | | | | |
| 11 | CASSEROLE | FRESH VEGETABLE | LIGHT TIMER | N.C | POWER | 8 | 3 | | | | | | | | | | | | | | | | | | | | | | | | | | | | | | | | | | | | | | | | | | | | | | | | | | | | | | | | | |
| 12 | PIZZA | RICE | START | STOP/CLEAR | HOLD WARM | 9 | 4 | | | | | | | | | | | | | | | | | | | | | | | | | | | | | | | | | | | | | | | | | | | | | | | | | | | | | | | | | |
| 13 | BACON | SOUP/ SAUCE | CUSTOM COOK | LESS | MORE | N.C | TURNTABLE ON/OFF | | | | | | | | | | | | | | | | | | | | | | | | | | | | | | | | | | | | | | | | | | | | | | | | | | | | | | | | | |
| Resistance value | When touched | When not touched | | | | | | | | | | | | | | | | | | | | | | | | | | | | | | | | | | | | | | | | | | | | | | | | | | | | | | | | | | | | | | |
| | | Less than 400 ohms | More than 1 mega ohm | | | | | | | | | | | | | | | | | | | | | | | | | | | | | | | | | | | | | | | | | | | | | | | | | | | | | | | | | | | | | |
| <p style="text-align: center;">RESISTOR CIMENT</p> | <p>Measure the resistance</p>  <p style="text-align: center;">Figure 32</p> | <p>Normal reading: Approx. 15 ohm</p> <p>Abnormal reading: Infinite</p> | | | | | | | | | | | | | | | | | | | | | | | | | | | | | | | | | | | | | | | | | | | | | | | | | | | | | | | | | | | | | | |

| COMPONENTS | TEST PROCEDURES | RESULTS | | |
|------------|---|-------------|---|---|
| | | POWER LEVEL |  |  |
| RELAY2 | <p>Check for continuity of relay 2 with an ohm-meter. (Remove wire leads from relay 2 and operate the unit.)</p>  <p>Figure 33 ⚠ CAUTION: The relay connector 2(White) and 6(Red) must be correctly connected Relay 2 and Relay 6 for each. These two connectors are not interchangeable.</p> | 1 | 4 sec | 18 sec |
| | | 2 | 6 sec | 16 sec |
| | | 3 | 8 sec | 14 sec |
| | | 4 | 10 sec | 12 sec |
| | | 5 | 12 sec | 10 sec |
| | | 6 | 14 sec | 8 sec |
| | | 7 | 16 sec | 6 sec |
| | | 8 | 18 sec | 4 sec |
| | | 9 | 20 sec | 2 sec |
| | | 10 | 22 sec | 0 |

NOTES:

- A MICROWAVE ENERGY TEST MUST ALWAYS BE PERFORMED WHEN THE UNIT IS SERVICED FOR ANY REASON.
- MAKE SURE THE WIRE LEADS ARE IN THE CORRECT POSITION.
- WHEN REMOVING THE WIRE LEADS FROM THE PARTS, BE SURE TO GRASP THE CONNECTOR, NOT THE WIRES.

B. CHECKOUT PROCEDURES

(1) CHECKOUT PROCEDURES FOR FUSE BLOWING

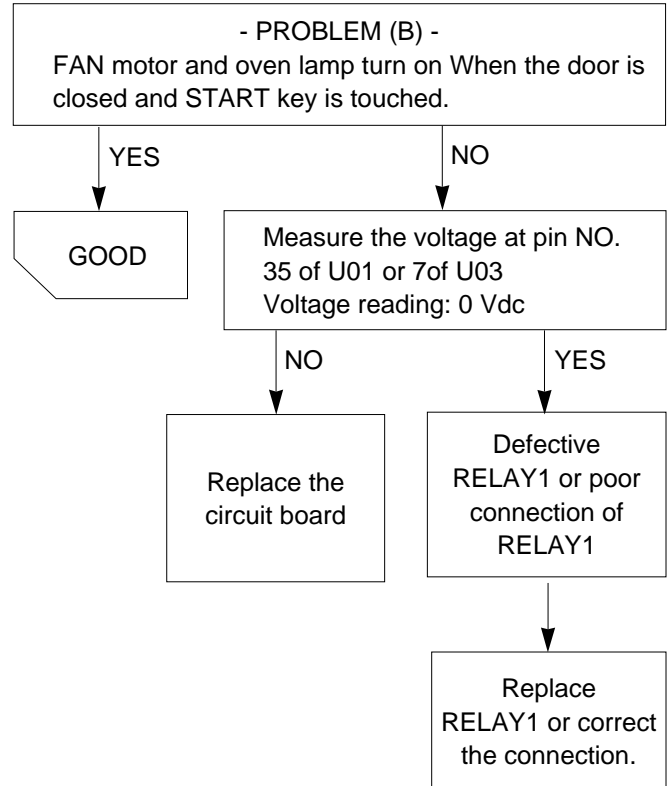
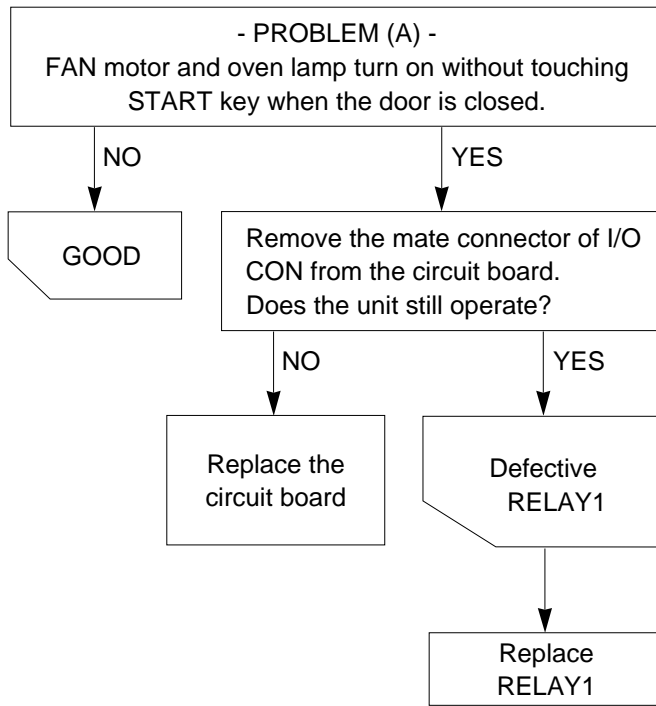
CAUTION: REPLACE BLOWN FUSE WITH 20 AMPERE FUSE.

| PROBLEMS | CAUSES |
|--|--|
| Fuse blows immediately after the door is closed. | Improper operation of the primary interlock, secondary interlock switches and/or the interlock monitor switch. |
| Fuse blows immediately after the door is opened. | |
| Fuse blows when the door is closed and START key is touched. | Malfunction of the high voltage transformer; the high voltage capacitor including the diode, the magnetron, the blower motor or the circuit board. |

NOTES:

- If the fuse is blown by an improper switch operation, replace the defective switches and the fuse at the same time. After replacing the defective switches with new ones, make sure that they are correctly connected.
- Check for microwave energy leakage according to INTERLOCK ADJUSTMENT PROCEDURES on page 7-12 when the primary interlock, secondary interlock switches and/or the interlock monitor switches are adjusted or replaced.

(2) CHECKOUT PROCEDURES FOR RELAY.



(3) CHECKOUT PROCEDURES FOR CIRCUIT BOARD

The following symptoms indicate a defective circuit board.

- 1) The start function fails to operate but the high voltage Systems, the interlock switches, the door sensing and the relay check good.
- 2) The unit with a normal relay continuously operates.
- 3) Proper temperature measurement is not obtained.
- 4) The buzzer does not sound or continues to sound.
- 5) Some segments of one or more digits do not light up, or they continue to light up, or segments light when they should not.
- 6) Wrong figures appear.
- 7) The figures of all digits.
- 8) Some of the indicators do no flicker light up.
- 9) The clock does not keep time properly.

NOTE: A MICROWAVE ENERGY LEAKAGE TEST MUST ALWAYS BE PERFORMED WHEN THE UNIT IS SERVICED FOR ANY REASON.

C. TROUBLE SHOOTING

Before following this troubleshooting read "TRIAL OPERATION" on page 6-1.

fU "DISPLAY" Problems, "A" thru "C"

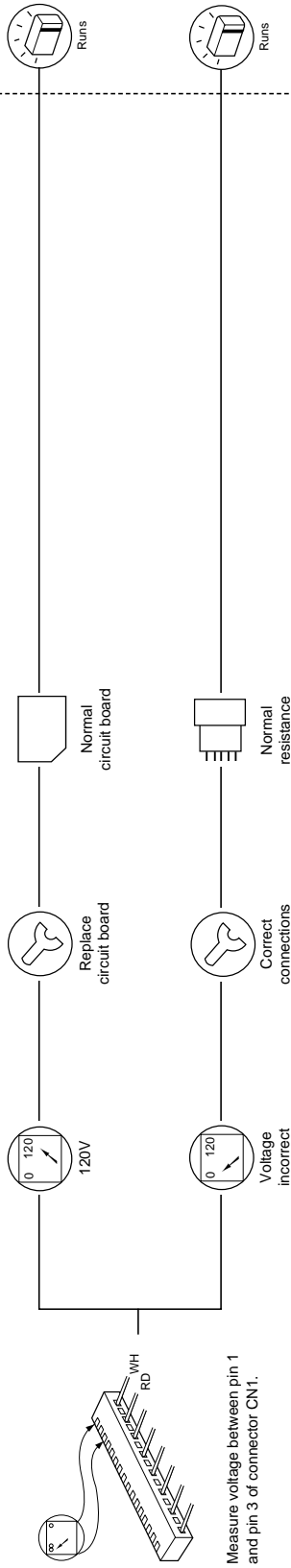
fU "HELP UP" Problems, "D" thru "E"

fU "BUZZER Problems, "F"

PROBLEM - A: "PLEASE SET TIME OF DAY" does not appear in display window when power supply cord is plugged into wall outlet.

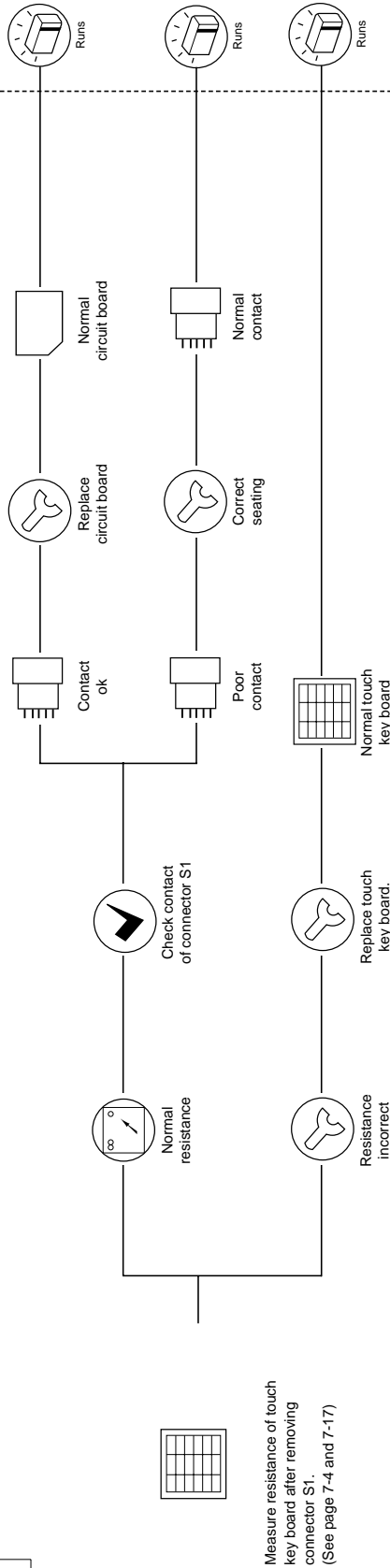
1

1. POWER SUPPLY
2. FUSE (See "CHECKOUT PROCEDURES FOR FUSE BLOWING" on page 7-18)
3. OVEN CAVITY THERMOSTAT

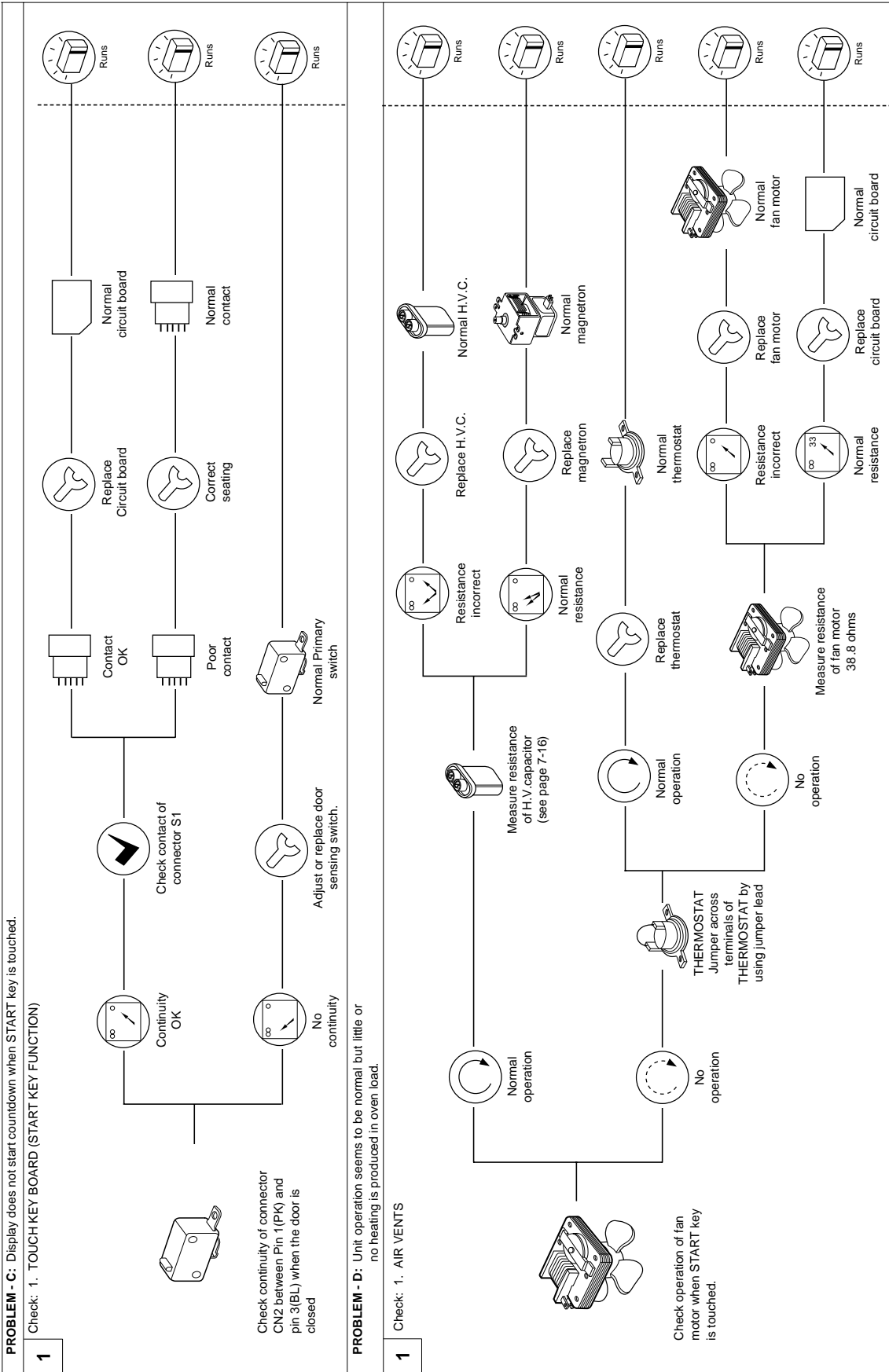


PROBLEM - B: Display does not show correct numbers and/or correct indications when programmed.

1

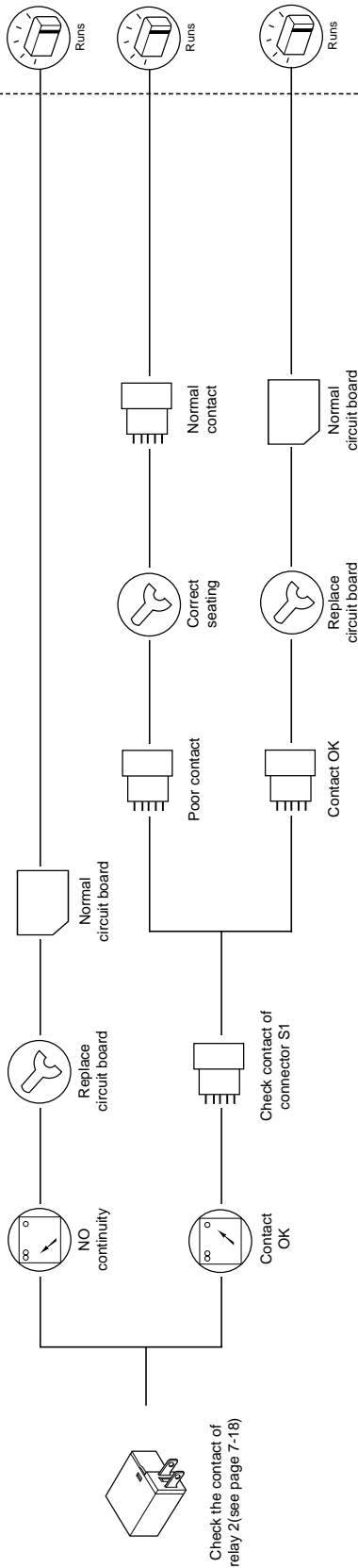


Measure resistance of touch key board after removing connector S1. (See page 7-4 and 7-17)

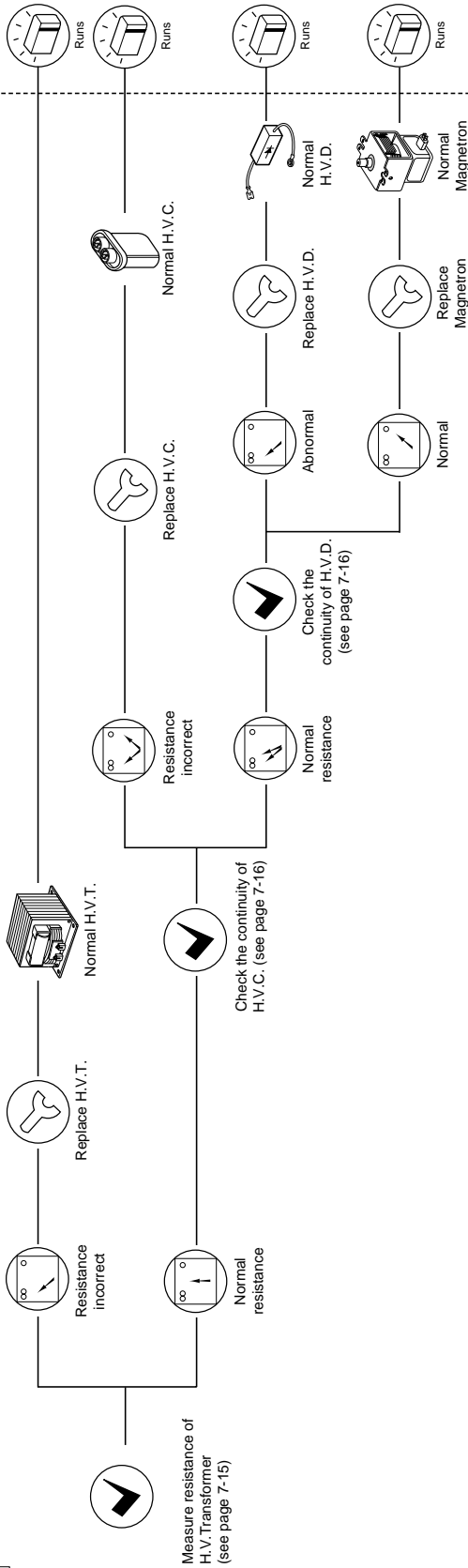


PROBLEM - E: Unit does not heat up even if display counts down when START key is touched for "HIGH POWER" cooking.

- 1 Check: 1. PRIMARY AND SECONDARY INTERLOCK SWITCHES
2. THERMOSTAT

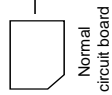


2



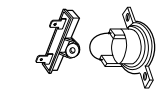
PROBLEM - F: No buzzing when touching the key, between stages or at end of cooking

1

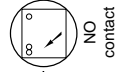


PROBLEM - G: Ventilation fan does not operate when "FAN HIGH/LOW" key is touched.

- 1** Check: 1. POWER SUPPLY
2. FUSE



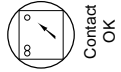
Check the contact of magnetron thermal fuse and oven thermostat



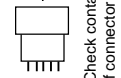
NO contact



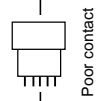
Replace magnetron thermal fuse and oven thermostat



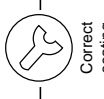
Contact OK



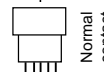
Check contact of connector S1 (see page 7-4)



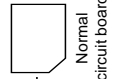
Poor contact



Correct seating



Normal contact



Normal circuit board



Replace circuit board



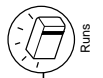
NO runs



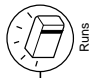
Replace ventilation motor ASSY



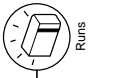
Normal ventilation motor ASSY



Runs



Runs



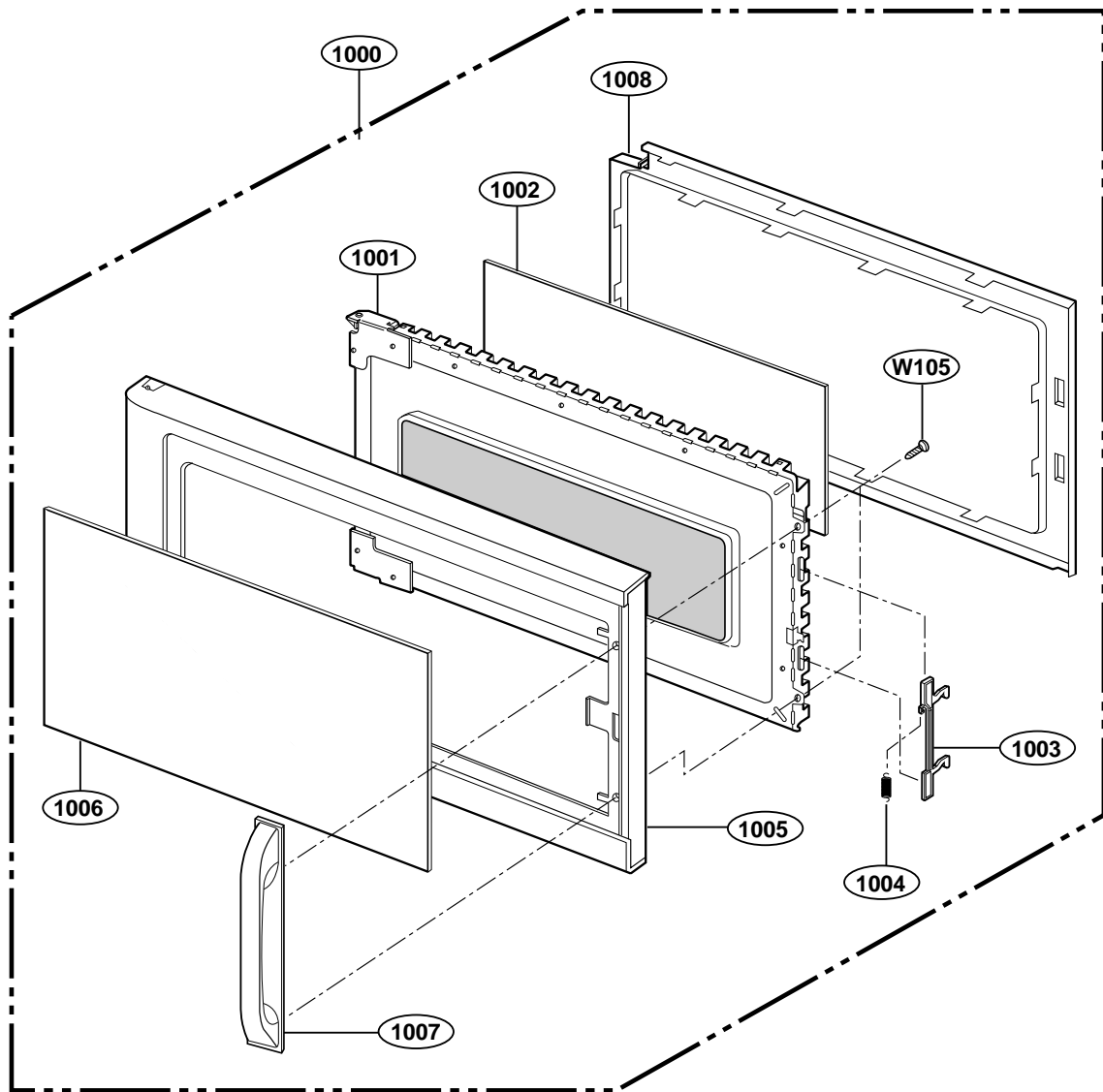
Runs



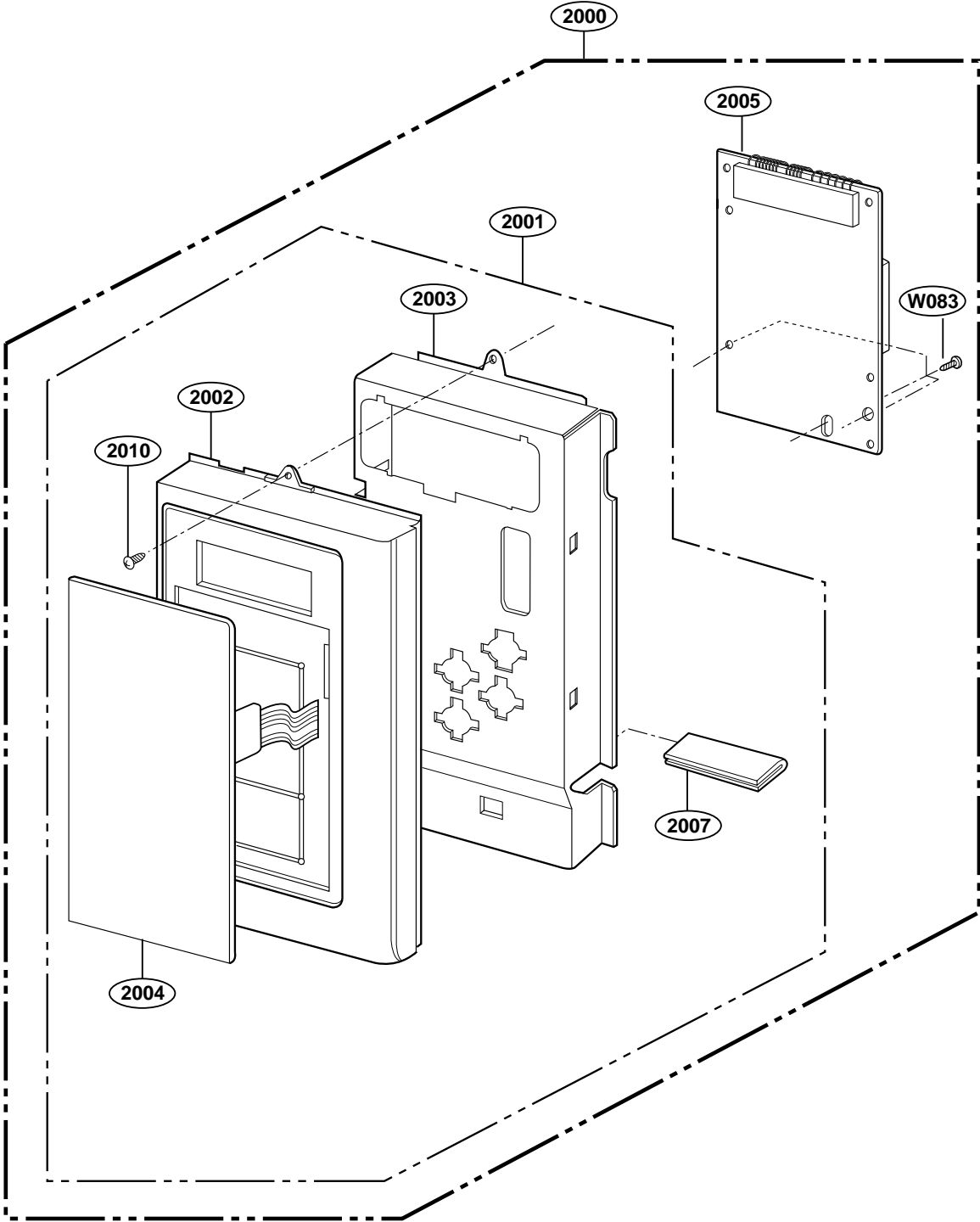
Runs

EXPLODED VIEW

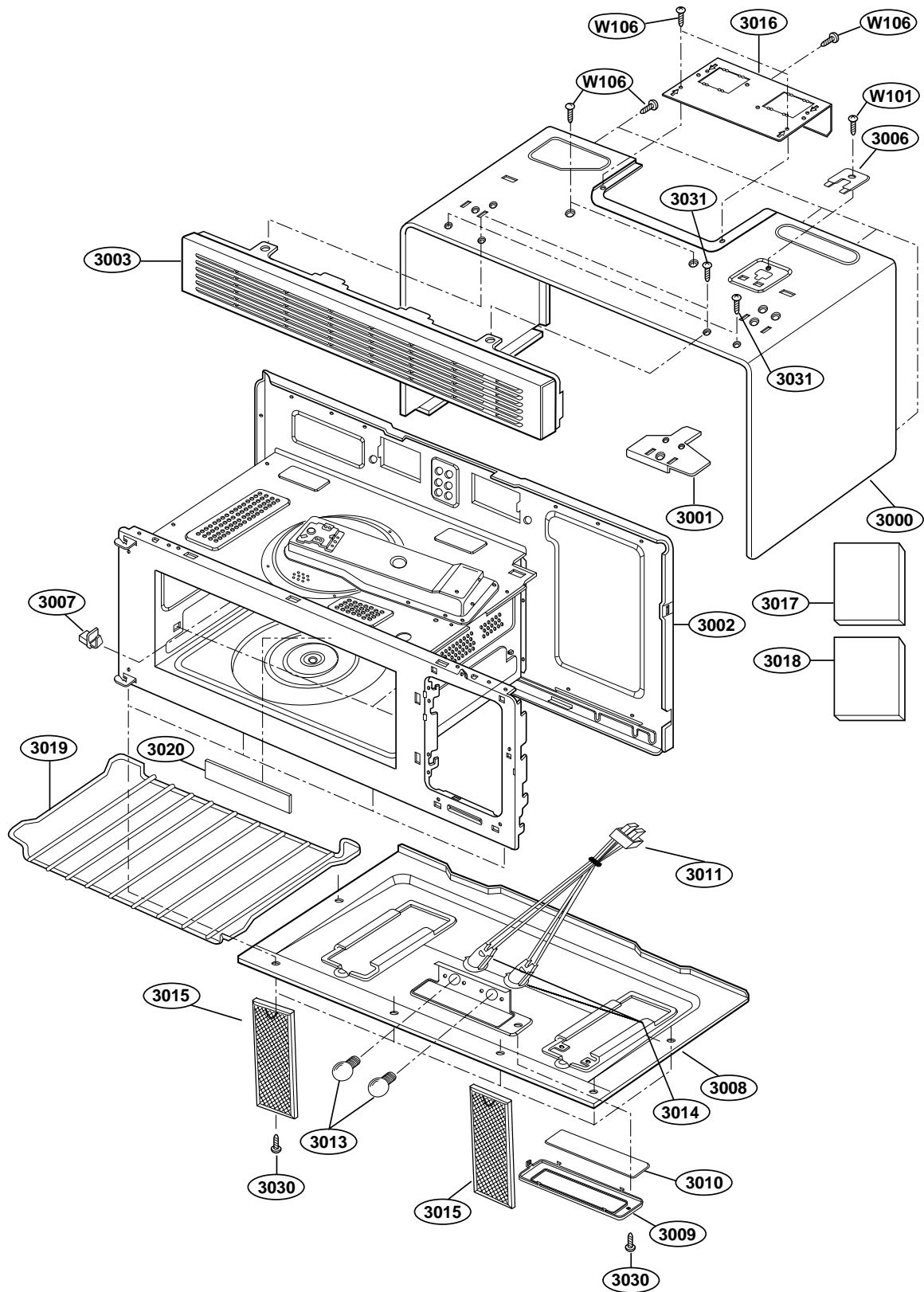
DOOR PARTS



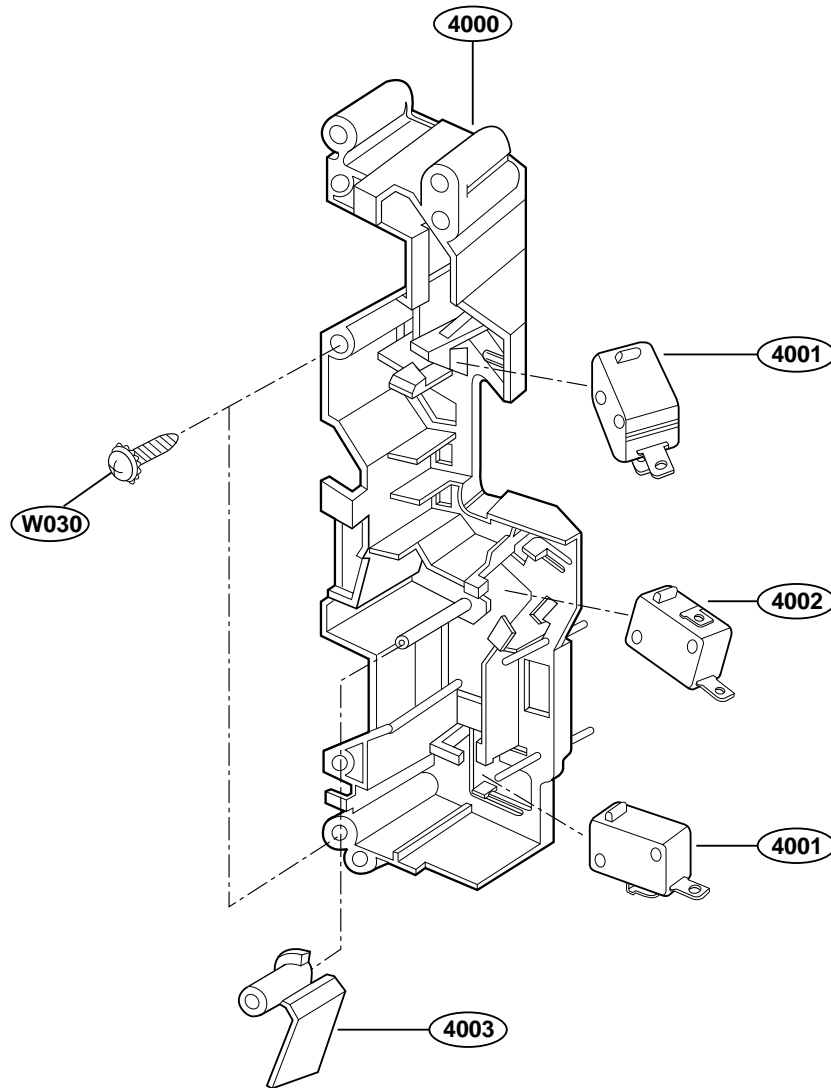
CONTROLLER PARTS



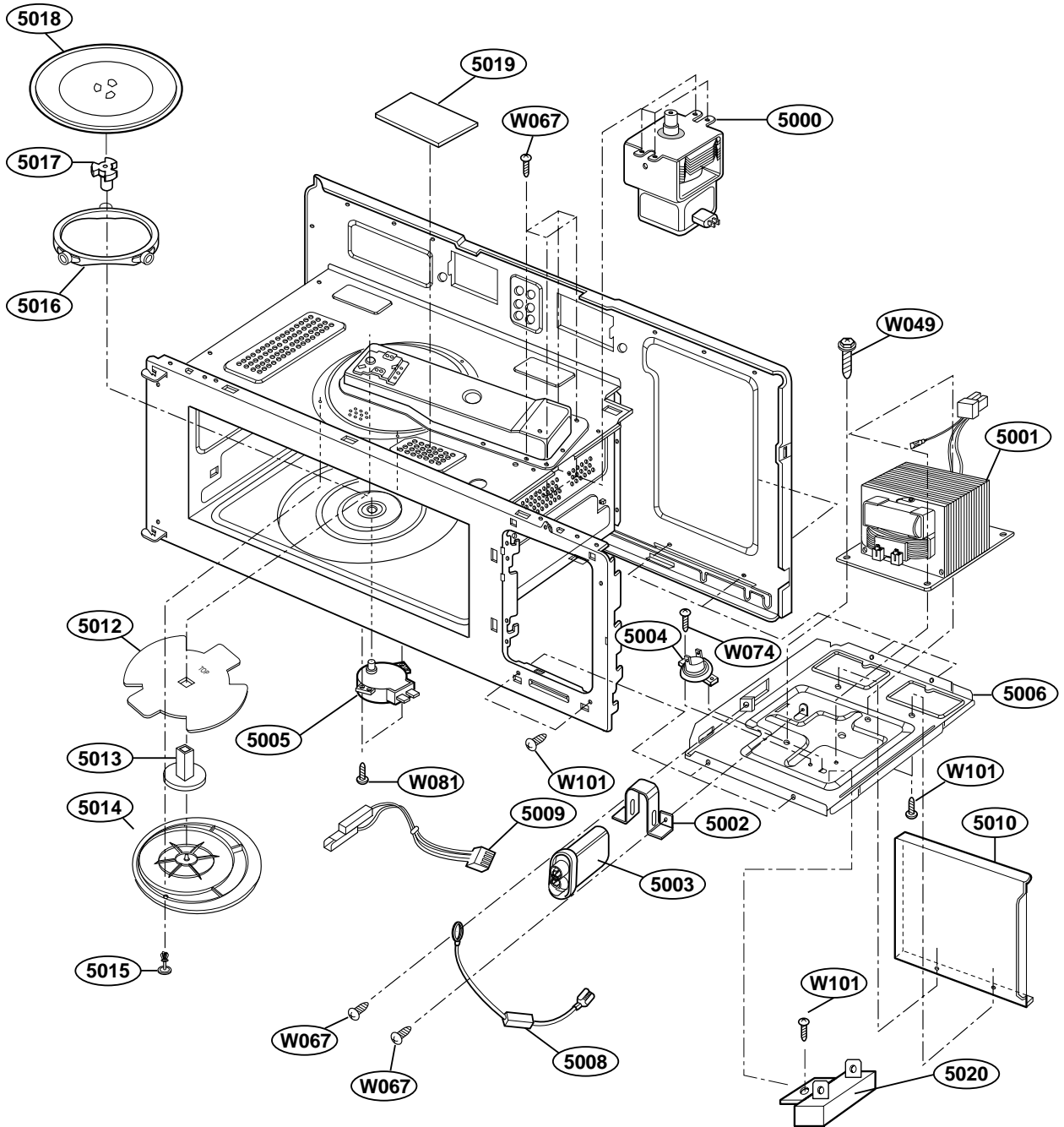
OVEN CAVITY PARTS



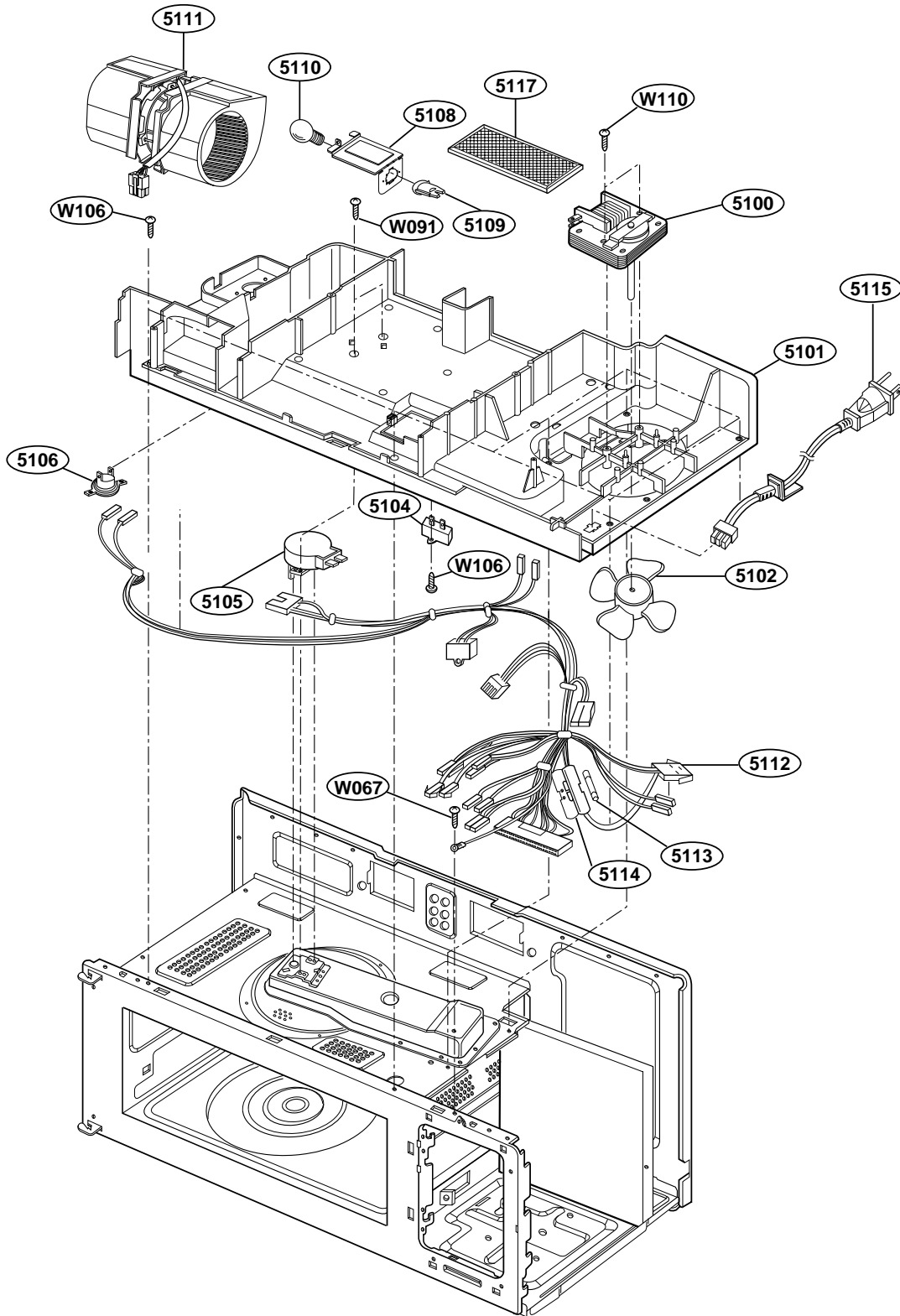
LATCH BOARD PARTS



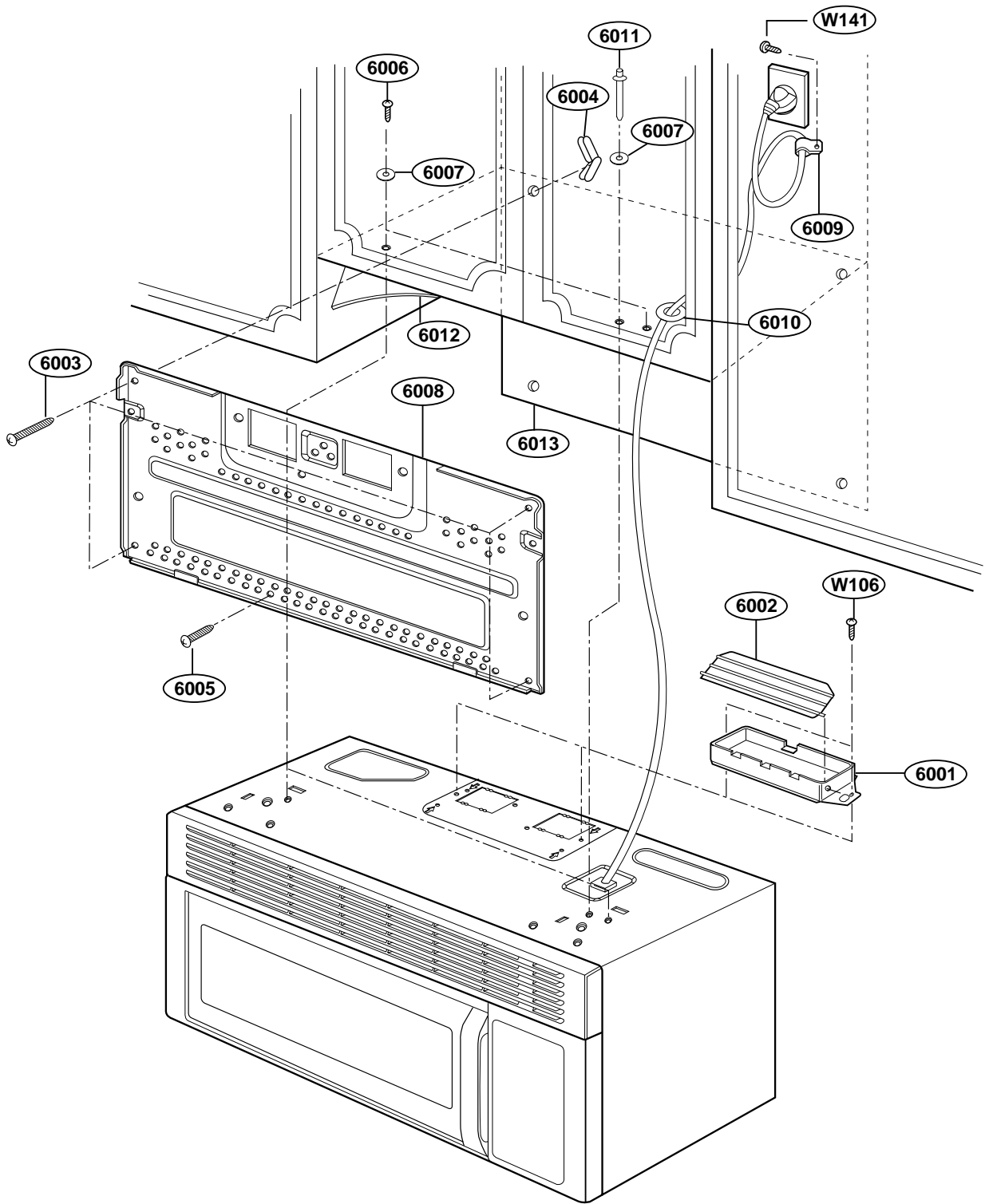
INTERIOR PARTS (I)



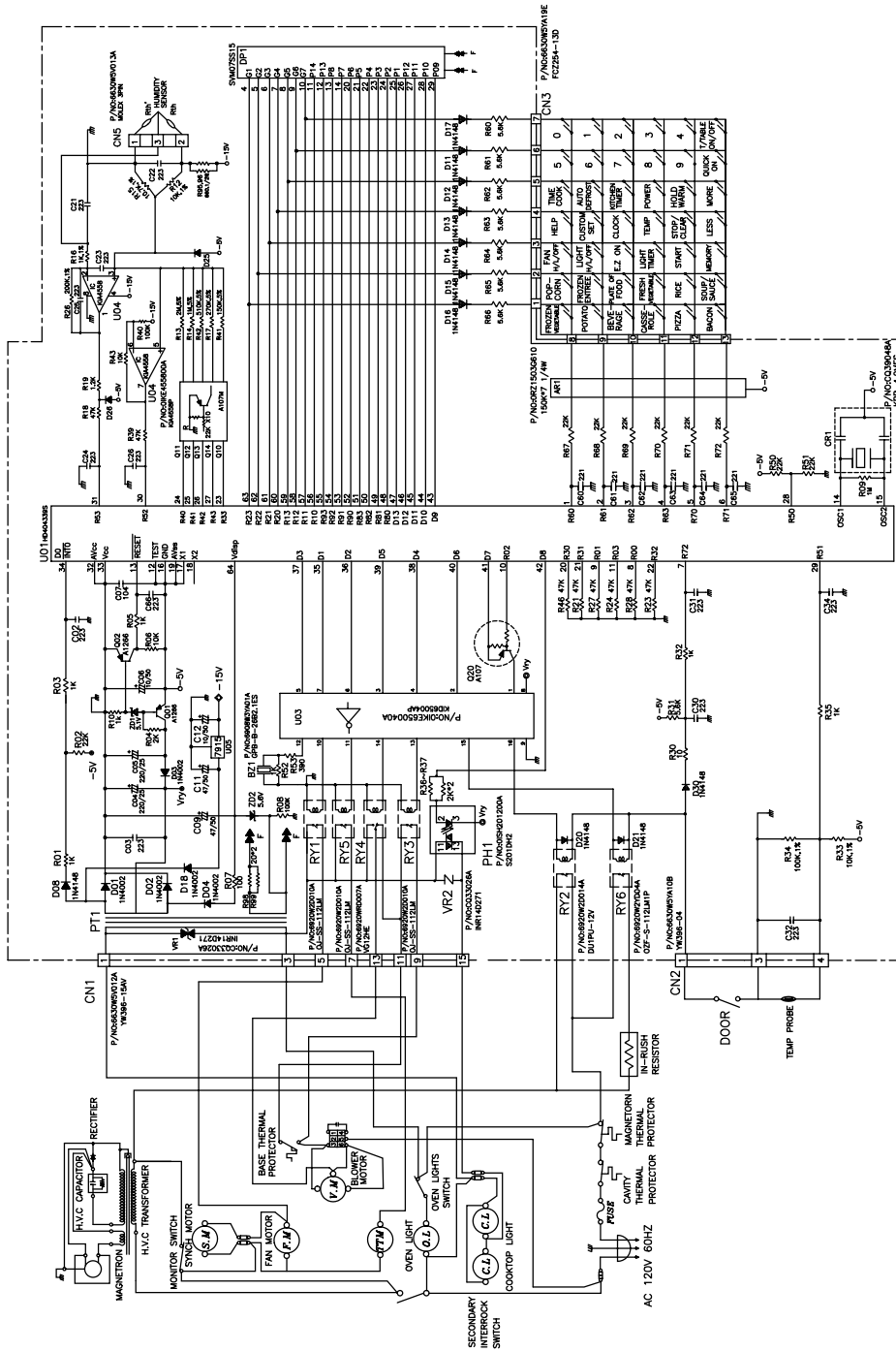
INTERIOR PARTS (II)



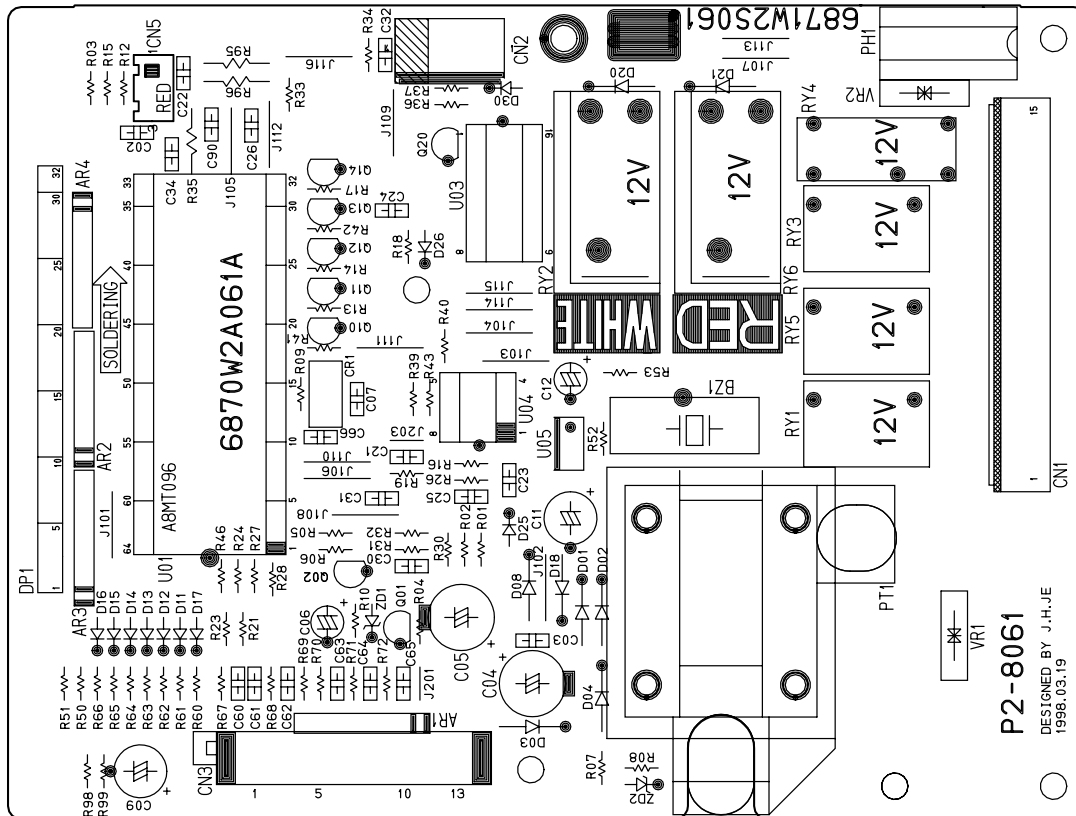
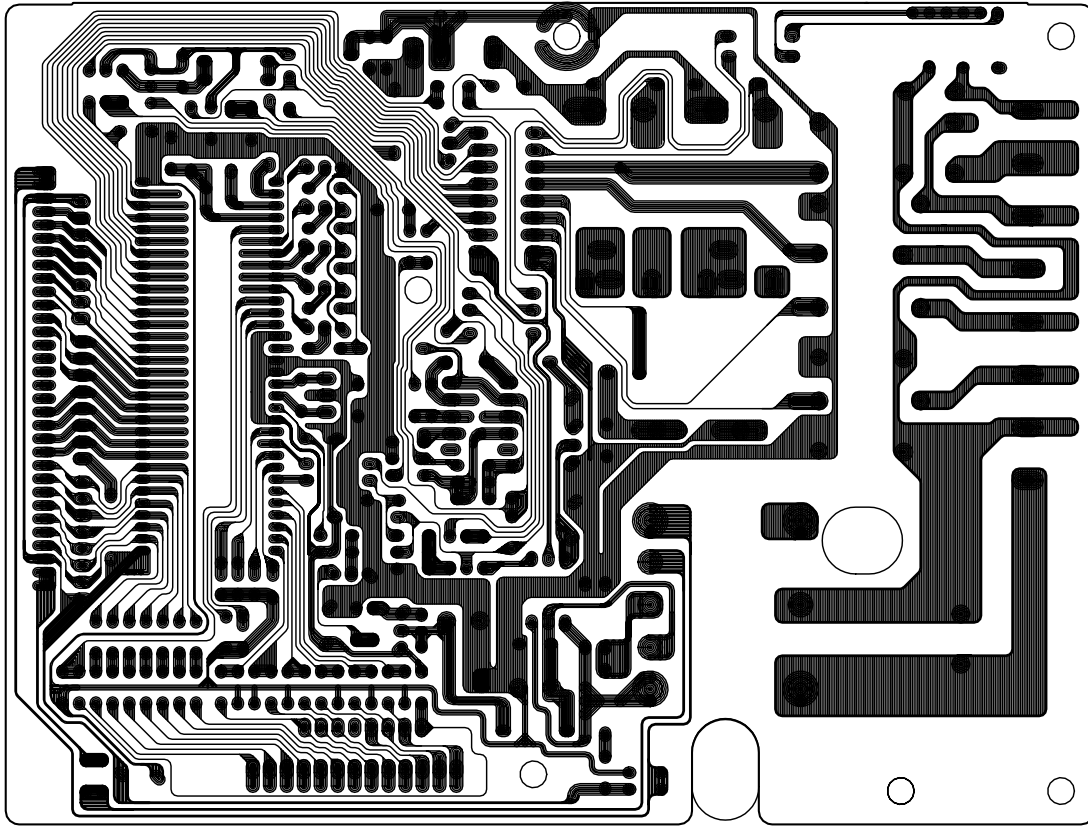
INSTALLATION PARTS



SCHEMATIC DIAGRAM OF P.C.B



PRINTED CIRCUIT BOARD



PCB PARTS LIST

(See Illustration "PRINTED CIRCUIT BOARD")

| NO. | PART NO. | SPECIFICATION | Q'TY | NO. | PART NO. | SPECIFICATION | Q'TY |
|----------------------------|-------------|-----------------------|------|-------------------|-------------|---------------------|------|
| INTEGRATED CIRCUITS | | | | CAPACITORS | | | |
| U01 | 0IHI404339U | HD404339S-A80S | 1 | C63 | 0CK2210K518 | CERAMIC 220pF/50V | 1 |
| U03 | 0IKE650040A | KID65004AP | 1 | C64 | 0CK2210K518 | CERAMIC 220pF/50V | 1 |
| PH1 | 0ISH201200A | S201DH2 | 1 | C65 | 0CK2210K518 | CERAMIC 220pF/50V | 1 |
| TRANSISTORS | | | | C66 | 0CK2230H518 | CERAMIC 0.022uF/25V | 1 |
| Q01 | OTR101509AB | "KTA1015,KTA1266 KEC" | 1 | RESISTORS | | | |
| Q02 | OTR101509AB | "KTA1015,KTA1266 KEC" | 1 | AR1 | 0RZ1503G610 | ARRAY 150K 1/4W 5% | 1 |
| Q20 | OTR107009AE | KRA107M KEC | 1 | R01 | 0RD1001F608 | CARBON 1.0K 1/6W 5% | 1 |
| DIODES | | | | R02 | 0RD2202F608 | CARBON 22K 1/6W 5% | 1 |
| ZD1 | 0DZ510009AB | MTZ5.1B 0.5W | 1 | R03 | 0RD1001F608 | CARBON 1.0K 1/6W 5% | 1 |
| ZD2 | 0DZ560009AB | UZ-5.6BS 0.5W | 1 | R04 | 0RD2001F608 | CARBON 2.0K 1/6W 5% | 1 |
| D01 | 0DD400209AA | RECTIFIRE 1N4002 | 1 | R05 | 0RD1001F608 | CARBON 1.0K 1/6W 5% | 1 |
| D02 | 0DD400209AA | RECTIFIRE 1N4002 | 1 | R06 | 0RD1002F608 | CARBON 10K 1/6W 5% | 1 |
| D03 | 0DD400209AA | RECTIFIRE 1N4002 | 1 | R07 | 0RD1000F608 | CARBON 100 1/6W 5% | 1 |
| D04 | 0DD400209AA | RECTIFIRE 1N4002 | 1 | R08 | 0RD1003F608 | CARBON 100K 1/6W 5% | 1 |
| D08 | 0DD414809AA | SWITCHING 1N4148 | 1 | R09 | 0RD1004F608 | CARBON 1.0M 1/6W 5% | 1 |
| D11 | 0DD414809AB | SWITCHING 1N4148M | 1 | R10 | 0RD1001F608 | CARBON 1.0K 1/6W 5% | 1 |
| D13 | 0DD414809AB | SWITCHING 1N4148M | 1 | R21 | 0RD4702F608 | CARBON 47K 1/6W 5% | 1 |
| D14 | 0DD414809AB | SWITCHING 1N4148M | 1 | R23 | 0RD4702F608 | CARBON 47K 1/6W 5% | 1 |
| D15 | 0DD414809AB | SWITCHING 1N4148M | 1 | R24 | 0RD4702F608 | CARBON 47K 1/6W 5% | 1 |
| D16 | 0DD414809AB | SWITCHING 1N4148M | 1 | R27 | 0RD4702F608 | CARBON 47K 1/6W 5% | 1 |
| D17 | 0DD414809AB | SWITCHING 1N4148M | 1 | R28 | 0RD4702F608 | CARBON 47K 1/6W 5% | 1 |
| D20 | 0DD414809AA | SWITCHING 1N4148 | 1 | R30 | 0RD0102F608 | CARBON 10 1/6W 5% | 1 |
| D21 | 0DD414809AA | SWITCHING 1N4148 | 1 | R31 | 0RD5601F608 | CARBON 5.6K 1/6W 5% | 1 |
| D30 | 0DD414809AB | SWITCHING 1N4148M | 1 | R32 | 0RD1001F608 | CARBON 1.0K 1/6W 5% | 1 |
| CAPACITORS | | | | R35 | 0RD1001G608 | CARBON 1.0K 1/4W 5% | 1 |
| C02 | 0CK2230H518 | CERAMIC 0.022uF/25V | 1 | R36 | 0RD2001F608 | CARBON 2.0K 1/6W 5% | 1 |
| C03 | 0CK2230H518 | CERAMIC 0.022uF/25V | 1 | R37 | 0RD2001F608 | CARBON 2.0K 1/6W 5% | 1 |
| C04 | 0CE2272H638 | ELECT. 220uF/25V | 1 | R46 | 0RD4702F608 | CARBON 47K 1/6W 5% | 1 |
| C05 | 0CE2272H638 | ELECT. 220uF/25V | 1 | R50 | 0RD2202F608 | CARBON 22K 1/6W 5% | 1 |
| C06 | 0CE1061K638 | ELECT. 10uF/50V | 1 | R52 | 0RD1001F608 | CARBON 1.0K 1/6W 5% | 1 |
| C07 | 0CK1040K518 | CERAMIC 0.1uF/50V | 1 | R53 | 0RD3900F608 | CARBON 390 1/6W 5% | 1 |
| C09 | 0CE4761K638 | ELECT. 47uF/50V | 1 | R60 | 0RD5601F608 | CARBON 5.6K 1/6W 5% | 1 |
| C30 | 0CK2230H518 | CERAMIC 0.022uF/25V | 1 | R61 | 0RD5601F608 | CARBON 5.6K 1/6W 5% | 1 |
| C31 | 0CK2230H518 | CERAMIC 0.022uF/25V | 1 | R62 | 0RD5601F608 | CARBON 5.6K 1/6W 5% | 1 |
| C60 | 0CK2210K518 | CERAMIC 220pF/50V | 1 | R63 | 0RD5601F608 | CARBON 5.6K 1/6W 5% | 1 |
| C61 | 0CK2210K518 | CERAMIC 220pF/50V | 1 | R64 | 0RD5601F608 | CARBON 5.6K 1/6W 5% | 1 |
| C62 | 0CK2210K518 | CERAMIC 220pF/50V | 1 | R65 | 0RD5601F608 | CARBON 5.6K 1/6W 5% | 1 |

(See Illustration "PRINTED CIRCUIT BOARD")

| NO. | PART NO. | SPECIFICATION | QTY |
|------------------|-------------|---------------------|-----|
| RESISTORS | | | |
| R66 | 0RD5601F608 | CARBON 5.6K 1/6W 5% | 1 |
| R67 | 0RD2202F608 | CARBON 22K 1/6W 5% | 1 |
| R68 | 0RD2202F608 | CARBON 22K 1/6W 5% | 1 |
| R69 | 0RD2202F608 | CARBON 22K 1/6W 5% | 1 |
| R70 | 0RD2202F608 | CARBON 22K 1/6W 5% | 1 |
| R71 | 0RD2202F608 | CARBON 22K 1/6W 5% | 1 |
| R72 | 0RD2202F608 | CARBON 22K 1/6W 5% | 1 |
| R98 | 0RD0202F608 | CARBON 20 1/6W 5% | 1 |
| R99 | 0RD0202F608 | CARBON 20 1/6W 5% | 1 |

| NO. | PART NO. | SPECIFICATION | QTY |
|----------------------|-------------|--------------------------|-----|
| MISCELLANEOUS | | | |
| CU1 | 4850W4C001A | CUSHION 3.5MM | 1 |
| DP1 | 6302W5A002A | "SVM-07SS15,7-MT-213GN" | 1 |
| RY1 | 6920W2D010A | RELAY OJ-SS-112LM | 1 |
| RY2 | 6920W2D014A | RELAY DU1PU | 1 |
| RY3 | 6920W2D010A | RELAY OJ-SS-112LM | 1 |
| RY4 | 6920WRD007A | RELAY VG12HE | 1 |
| RY5 | 6920W2D010A | RELAY OJ-SS-112LM | 1 |
| RY6 | 6920W2YD04A | RELAY OZF-S-112LM1P | 1 |
| BZ1 | 6908W3YA01A | BUZZER GPB-B-26B2.1ES | 1 |
| VR1 | CQ33026A | VARISTOR INR14D271 | 1 |
| VR2 | CQ33026A | VARISTOR INR14D271 | 1 |
| CN1 | 6630W5V012A | CON. YW396-15(EVEN VOID) | 1 |
| CN2 | CQ52212A | CON. YW396-03(2VOID) | 1 |
| CN3 | 6630W5YA19E | CON. FCZ254-13D | 1 |
| CN3 | CQ52186A | CON. 2635S13V000 | * |
| CN3 | 6630W5V017D | CON.JE501S | * |

** : ALTERNATE PARTS.



P/NO : 3828W5S0813

June, 1998
Printed in Korea