



ASKO SERVICE ACADEMY

Service manual Tumble Dryers TDC33/44 Professional

 **ASKO**
BUILT TO LAST LONGER

You have in your hand the ASKO Service Manual for the commercial machines of the new generation of tumble driers, that are friendly to the environment in both their manufacture and their use.

This new generation of tumble driers has been designed for ease of servicing. By this we mean that it's a simple job, for example, to replace a damaged side panel. That's why we've changed the design from a one-piece shell to a split shell.

To secure parts and wiring, we have replaced many of the screws by plastic snap fasteners, and certain parts have integrated ribbon cabling, all for simplifying service.

We have also integrated service aids, such as hooks to hang parts on, so that you can use both hands for installation.

Presentation of the different models:

TDC33 - is a sensor-controlled electronic tumble dryer with air extraction

TDC44 - is a sensor-controlled electronic tumble dryer with a condenser

The machines have a humidity sensor that can tell when the clothes are dry.

You can choose from a total of eleven different languages on the display, the number and choice of languages depend on the market.

Servicing the tumble driers has to be easy, and just as it is important for us that the customer shall be satisfied with our simple, able and durable machines, so we also want to give you, the service engineer, the conditions to permit you to work efficiently and satisfactorily.

We hope that this Service Manual will be a positive tool in your daily work.

Important - late change!

Machines manufactured week 46/2000 or later have a new design of the fastening of the bottom cover. See illustration below.

For more information, see service information Group 22 No. 47.

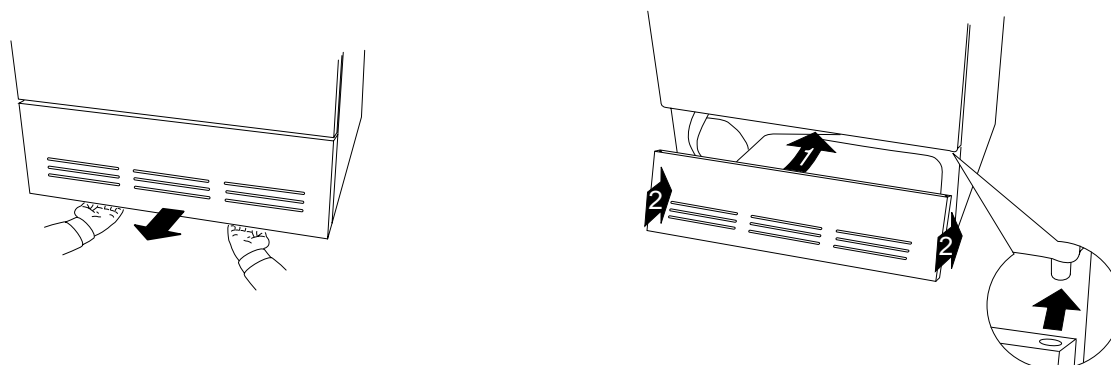


TABLE OF CONTENTS

Safety regulations	5	Changing the bearing	36
Specifications	6	Changing the rear felt strip seal	37
The drying process	7	Changing/cleaning the heating element	37
TDC33	7	Changing the overheating protection device	38
TDC44	8	Input terminal block	39
Installation	9	Removing the input terminal block	39
Tumble drier location	9	Installing the input terminal block	39
Location alternatives:	9	Removing the radio interference filter	40
Adjusting the feet	11	Installing the radio interference filter	40
Condensation water (TDC44)	11	Contactors	41
Air extraction (TDC33)	12	Removing the contactor	41
Connection to the tumble drier	12	Installing the contactor	41
Connection to exhaust duct	12	Fuse	42
Examples of installations	12	Changing the fuse	42
Installation in warm climates	13	Changing the fuse holder/insert	42
Condensation problems	13	Drum	43
Electrical installation	14	Removing the drum	43
Doorhanging	15	Installing the drum	43
Left hanging to right hanging	15	Changing the drive belt	43
Right hanging to left hanging	17	Changing the drum ridge	44
Fault tracing	19	External fan housing (TDC44)	45
Problems	21	Removing the external fan housing	45
Components and measurements	22	Installing the external fan housing	45
Test program and fault indications	26	Cleaning the external fan wheel	45
Test program	26	Motor	46
Internal counter	26	Removing the motor	46
Fault indications	26	Installing the motor	46
Consumption values	27	Changing the capacitor	47
TDC33	27	Air extraction system	48
TDC44	28	Removing the exhaust air duct hook	48
Tools	29	Installing exhaust air duct hook	48
List of tools	29	Removing the exhaust air duct T-piece	48
Application areas	30	Installing the exhaust air duct T-piece	48
Special tools	32	Humidity sensor	49
Service	33	Removing the humidity sensor	49
Top cover	33	Installing humidity sensor	49
Removing the top cover	33	Thermistor	50
Installing the top cover	33	Removing the thermistor	50
Changing the guides	33	Installing the thermistor	50
Removing the rear panel	34	Front frame	51
Installing the rear panel	34	Removing the front frame	51
Removing the inner and outer rear panels	35	Installing the front frame	51
Installing the inner and outer rear panels	35	Changing the front felt seal	52
Changing the foam rubber seal	36	Changing the support roller	52

TABLE OF CONTENTS


Front door	53	Water tank housing (TDC44)	69
Removing the front door	53	Removing water tank housing	69
Installing the front door	53	Installing water tank housing	69
Changing the hinge pin	53	Changing the water tank handle	69
Changing the hinge socket	54	Side panels	70
Changing the door magnet/escutcheon plate	54	Changing the side panels	70
Changing the handle	54	Bottom	71
Changing the inner door	55	Changing the bottom	71
Changing the outer door seal	55	Front rail	71
Changing the inner door seal	55	Changing the front rail	71
Changing/cleaning the filter holder	56	Program and options	72
Changing the door switch	56	Programs	72
Changing the door switch pin	57	Drying time	72
Front panel	58	Change settings	73
Removing front panel	58	Language	73
Installing front panel	58	Locking a programme	73
Changing the fixing clip for the bottom cover (female)	59	Child lock on  button	73
Changing the fixing clip for the bottom cover (male)	59	Program overview	74
Panel	60	Tumble drying	75
Removing the panel	60	Cleaning and maintenance	76
Installing the panel	60	Cleaning the fluff filter	76
Changing the panel handle	61	Emptying the condensed water tank (TDC44)	76
Changing the indication lamp/symbol lens	61	Cleaning the outside of the machine	77
Changing the main power button	62	Cleaning the fan	77
Changing the push-button switches	63	Cleaning the condenser (TDC44)	78
Changing the DCU panel board and the push-buttons	63	Drying guide TDC33	
Electronic control unit	64	Drying guide TDC44	
Changing the electronic control unit	64	Circuit diagram	
Installing electronic control unit with its holder	65		
Condenser housing (TDC44)	66		
Removing the condenser housing	66		
Installing the condenser housing	66		
Changing the condensed water pump	66		
Changing the microswitch for the condensed water pump	67		
Changing the foam rubber seal	67		
Changing the float	68		

TABLE OF CONTENTS

GENERAL

- The electrical and plumbing installations shall be carried out by a qualified electrician and plumber respectively.

SERVICE

WARNING

Always switch off the main electrical power supply when dismantling and assembling the washing machine.

- Always use an earthed EMC wristband when working with electrical components, such as panel printed circuit boards and electronic control units.

TDC33: TRANSPORT/WINTER STORAGE

If the tumble drier is to be transported, or stored for the winter in unheated premises, ensure that the condensation water tank has no water in it.

DISPOSAL

When the tumble drier comes to end of its useful life and is to be scrapped, it must be immediately rendered unusable.

Contact your local authority to find out how the tumble drier should be scrapped and recycled properly.

The tumble drier is manufactured and labelled for recycling.

SPECIFICATIONS

PRINCIPAL DIMENSIONS

Height:	850 mm
Width:	595 mm
Depth:	585 mm
Weight:	
TDC33	39 kg
TDC44	47 kg

VOLUME/CAPACITY

Drum volume:	111 litres
Drying capacity :	5.0 kg
Speed:	52 rpm

ELECTRICAL CONNECTION ALTERNATIVES

Power consumption:	See type label
Heating element power:	See type label

Drying drum material:

Stainless steel.

Outer casing material:

Powder-painted and hot galvanised steel plate or stainless steel.

Installation:

Tower, free-standing or built-in.

Drain

TDC44: 2.0 m rubber hose

Air extraction hose

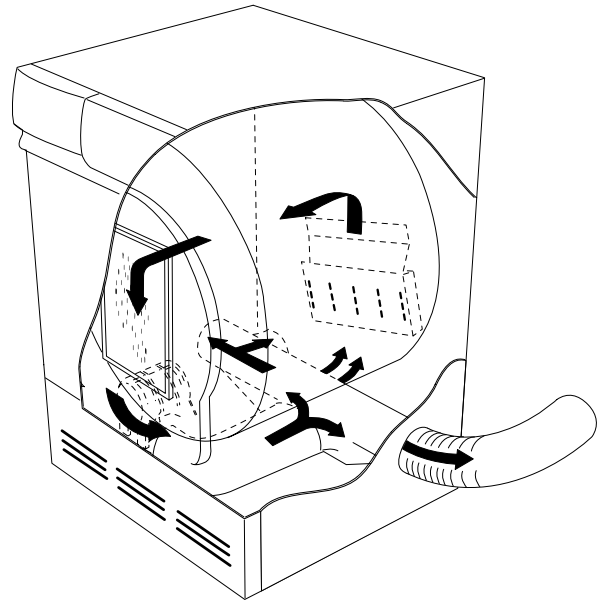
TDC33: 3.0 m PVC

TDC33

Air at room temperature is heated by the heating element and drawn into the drum, where it extracts the dampness from the clothes. The ridges in the drum prevent the clothes from sticking to each other.

Air passes through the fluff filter in the front door, through the exhaust system and out.

On the way through the air extraction system the air passes a humidity sensor. The sensor measures the amount of humidity in the clothes. If you are using an automatic program, the sensor indicates when the clothes are dry.



THE DRYING PROCESS

TDC44

The condensing tumble drier has two circulation systems: one for drying air and one for cooling air. The black arrows show the warm drying air, and the white arrows the cooling air at room temperature. The ridges in the drum prevent the clothes from sticking to each other. On the way through the air extraction system the air passes a humidity sensor. The sensor measures the amount of humidity in the clothes. If you are using an automatic program, the sensor indicates when the clothes are dry.

AIR DRIER

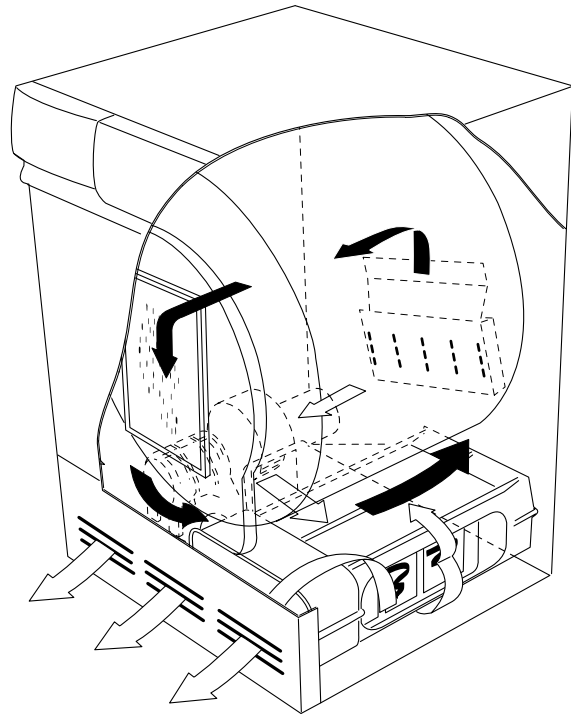
Air at room temperature is heated by the heating element and passes through the drum, where it blows through the clothes and extracts the dampness from them.

The air is filtered through the fluff filter in the front door, goes down to the fan and onwards to the condenser unit.

On its way through the condenser the saturated air releases its water content. The extracted water falls into a holder, from which it is either pumped up to a water tank or taken out via a drain hose to a floor drain or similar.

COOLING AIR

The condenser is cooled by air at room temperature, drawn in through the rear of the machine. The air is blown through the condenser and exhausts through a grille in the bottom hatch. If the machine is built in, the air is drawn through the gap between the floor and the bottom of the machine.



TUMBLE DRIER LOCATION

TDC44

The tumble drier can be free-standing, built in or part of a tower. Remember that the tumble drier produces heat, and should therefore not be placed in too confined a space. If the tumble drier is put into a very small room, because of the limited amount of air, the drying process will take longer.

NOTE

To improve the air circulation, leave the door leading into the room where the tumble drier is placed open.

WARNING

The electrical installation must be carried out by a qualified tradesman.

LOCATION ALTERNATIVES:

A. Free-standing

The tumble drier can be placed on the floor, either on its own or up against a wall or cupboard.

B. Built-in

The tumble drier can be built in under a work top with a minimum working height of 850 mm. The width of the opening must be at least 600 mm.

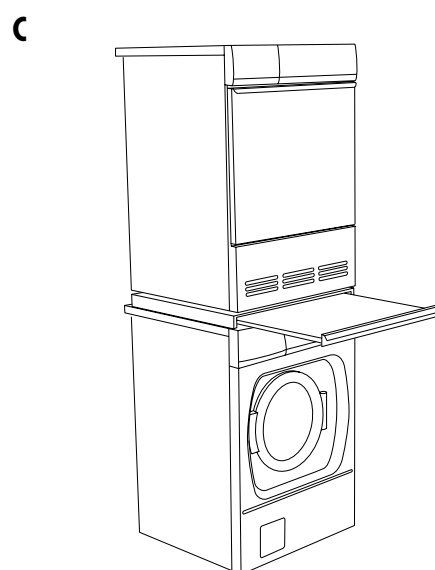
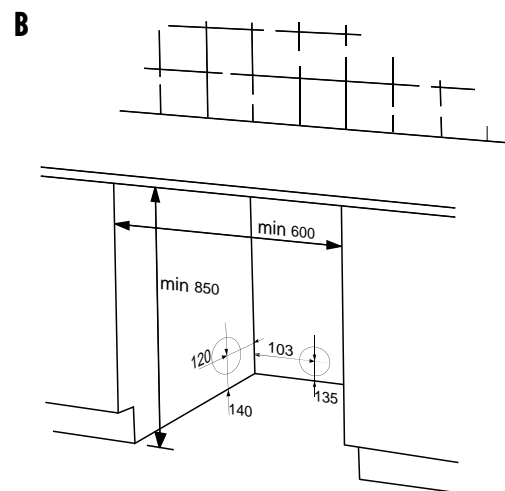
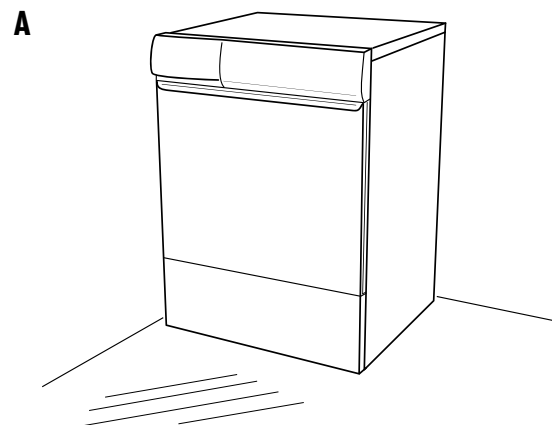
C. Washing tower

The tumble drier can be placed on top of an ASKO washing machine. The tumble drier is fastened securely and prevented from moving by the tower fasteners that come with the machine:

2 off angle pieces.

2 off plastic cups.

A pull-out worktop is available as an accessory (Part no. 80 619 07-0 - white, 80 619 07-26 - black), available for purchase from your local ASKO dealer. A mounting kit for decor frame (Art. no. 80 639 81) is available for purchase from your local ASKO dealer.



INSTALLATION

Install the tower configuration like this:

1. Unscrew and remove the outermost screws from each side of the rear of the washing machine.
2. Screw the angle pieces to the rear of the washing machine.
3. Secure the two plastic cups to the front edge of the top cover.

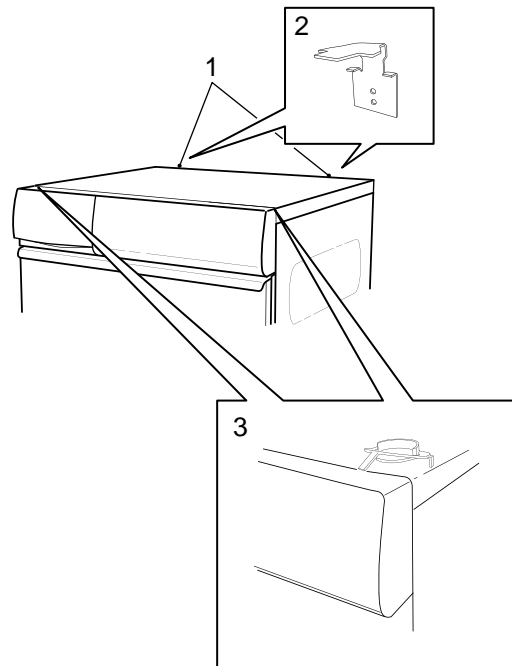
WARNING

The plastic cups must be fitted, they secure the front edge of the tumble drier.

Right side: Break off the left-hand tag from one of the plastic cups and remove the paper from the underside. Position the cup so that the arm that sticks out is flush with the top cover and press it firmly into place. See Figure 3.

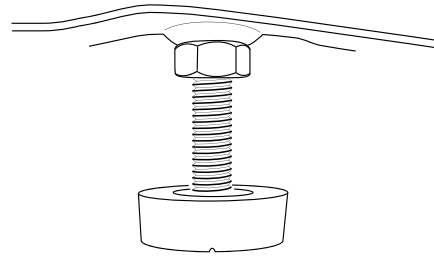
Left side: Break off the right-hand tag from the other plastic cup and remove the paper from the underside. Position the cup so that the arm that sticks out is flush with the top cover and press it firmly into place. See Figure 3.

4. Position the tumble drier by fitting the two angle pieces into the slots at the rear of the tumble drier while keeping the front edge of the tumble drier raised by 1 - 2 cm.
5. Lower the tumble drier so that its front feet enter the plastic cups. Adjust the feet as necessary to straighten the tumble drier vertical.



ADJUSTING THE FEET

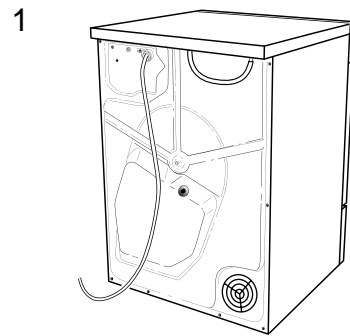
Screw the feet in or out until the tumble drier is standing vertical and steady. Lock the feet by tightening their locking nuts.



CONDENSATION WATER (TDC44)

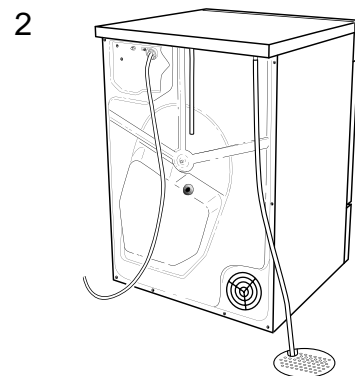
Alternative 1 (as delivered)

Condensation water is pumped up into the condensation water tank, which is pulled out and emptied manually.



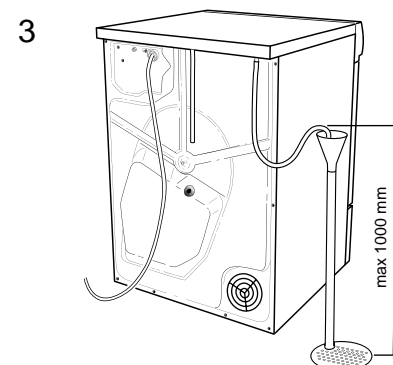
Alternative 2

By connecting the accompanying rubber hose to the blue nipple and leading it down to a floor drain, the condensation water is pumped directly out to the drain.



Alternative 3

By connecting the accompanying rubber hose to the blue nipple and leading it to a sink or similar, condensation water is pumped directly out to the drain.



INSTALLATION

AIR EXTRACTION (TDC33)

The exhaust air from the tumble drier should be taken to an exhaust duct or a wall outlet with the aid of the accompanying air extraction hose.

Connection to the tumble drier

The tumble drier has three possible air extraction points: the rear, right or left side. On delivery one of the holes is open, and the other two are closed by covers.

The tumble drier is delivered with a connecting flange (A), a plastic ring (B) and an air extraction hose (C).

Install the air extraction system as follows:

1. Push the air extraction hose on to the connecting flange and secure it with the plastic ring.
2. If necessary, remove the plastic cover from the hole where you want to connect the hose.
3. Insert the connecting flange and air extraction hose into the chosen hole.
4. Close the other two holes with the plastic covers. Turn as illustrated.

Connection to exhaust duct

The air extraction hose must be routed the shortest possible way and as straight as possible from the tumble drier to the exhaust duct. Cut the air extraction hose if it is too long. If necessary the air extraction hose can be extended by up to a maximum of 8 metres (inner diameter 102 mm). If a longer hose is needed, the inner diameter must be increased in order to retain the fan capacity of the tumble drier.

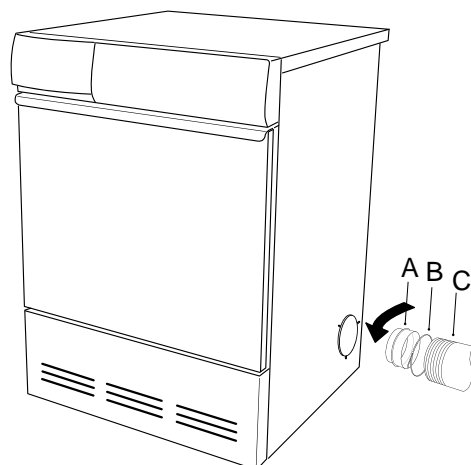
Any bends must be made as gentle as possible. If 90° bends are necessary, there should be no more than four. Each bend reduces the fan capacity of the tumble drier.

If the air extraction hose leads to a wall outlet, the entry of cold air can be cut down by installing a ventilation grille (part no. 92 059 00). The ventilation grille can be installed either outside or inside.

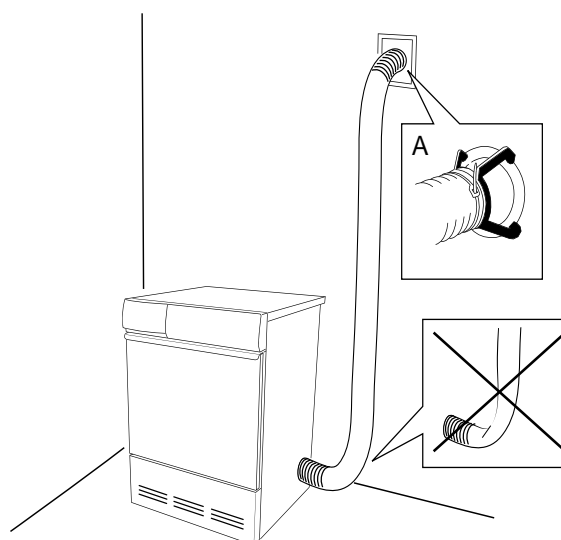
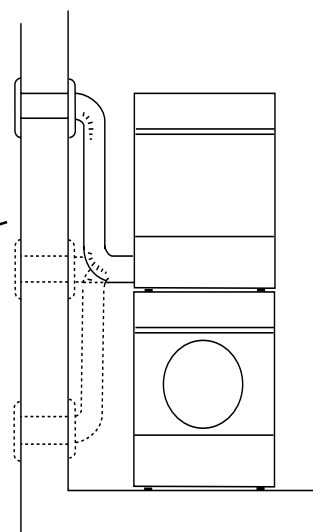
If there is only one exhaust duct leading from the room a draught break (A) must be installed (part no. 92 059 01).

NOTE

Each bend reduces the fan capacity of the tumble drier. The same if the hose is too long.



Examples of installations



Installation in warm climates

When installing in temperatures above 25°C (77°F) with a high level of humidity, do not route the air exhaust hose upwards.

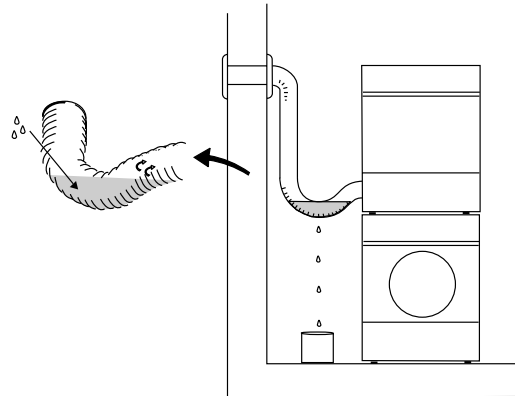
The hose must always run downwards or stay level with the tumble dryer.

Condensation problems

If the hose is long and the room is cold, condensation will form inside the hose. **This is unavoidable.**

If the air exhaust hose is slack, water may build up at the low points, blocking the air flow.

To avoid water build-up in the hose or that water runs back into the machine, drill a hole (Ø3 mm) at the lowest point in the hose and put a water collector underneath.



INSTALLATION

ELECTRICAL INSTALLATION

The electrical installation must be carried out by a qualified tradesman.

The installation is made using fixed wiring and a multi-pole breaker.

Connections on delivery

The machine is supplied, depending on market, for one of the following supplies (see rating plate):

A. 3-phase, 400V 50Hz supply 10A, heating power 2620/2500W.

B. Single-phase, 230V 50Hz supply 13/16A, heating power 2620/2500W.

C. Single-phase, 230V 50Hz supply 10A, heating power 1900W.

If an earth fault breaker is installed, it should be of type A.

Rewiring to single-phase

The machine can be reconfigured. The machine should be reconfigured as shown in the wiring diagram underneath the top panel of the machine.

IMPORTANT

Electrical connections/rewiring must be carried out by a qualified tradesman.

IMPORTANT

The electrical rewiring to 1-phase 10A is lengthen the drying program.

TDC44 (Condenser tumble drier with display):

For the machine to show the correct remaining drying time, after rewiring select the Low heating power (or High if you rewire to 3-phase or 1-phase 16A).

Do this:

Switch off the mains power button, (P1), and press it again to restart the machine.

Press the (P8) button 5 times, then press the (P2) button 5 times. These 10 button presses must be done within 15 seconds.

Within 3 seconds of the last button press select Low with the (P6) (P7) buttons.

Joint connection of the tumble drier and an ASKO washing machine

NOTE

Joint electrical connection as described below must be carried out by a qualified tradesman.

To ensure even loading of the phases when installing the tumble drier jointly with a single-phase ASKO washing machine, the phases should be connected like this:

Tumble drier:

- Terminal labelled L1 to phase 1.
- Terminal labelled L2 to phase 2.
- Terminal labelled L3 to phase 2.

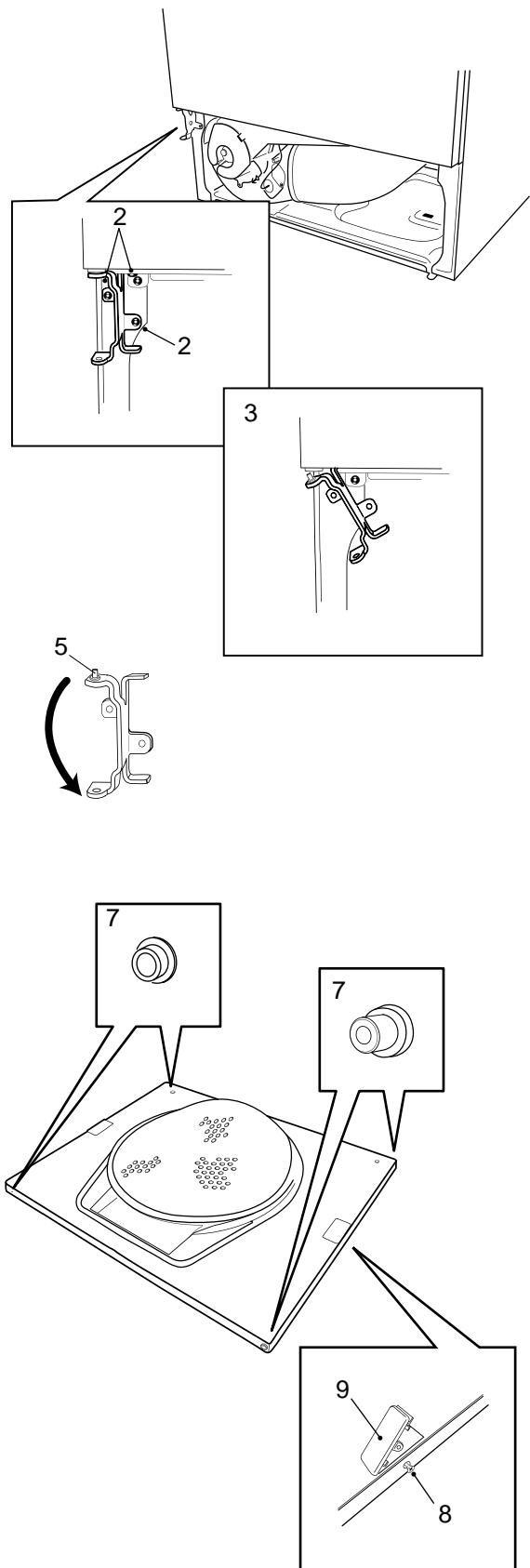
Washing machine:

- Terminal labelled L to phase 3.

The tumble drier's front door can be adjusted to hang on either the left or the right. Tumble driers are normally delivered with the door hanging on the left.

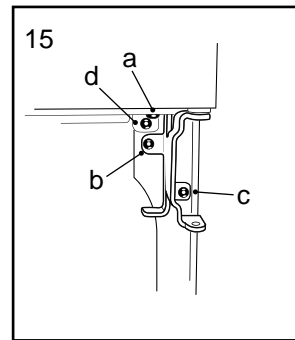
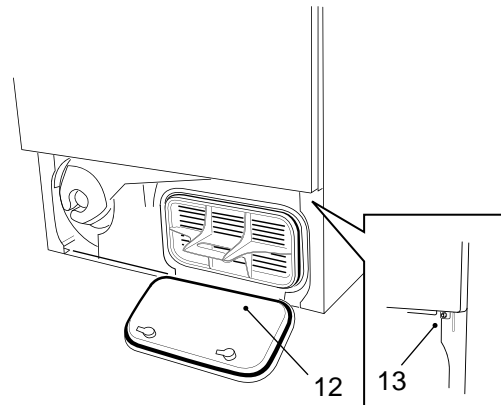
Left hanging to right hanging

1. Keep the front door closed, it will be held in position by the door magnet.
2. Remove the bottom cover and unscrew the 3 screws that secure the hinge fixing.
3. Tilt the hinge fixing so that it comes free from the hinge socket in the front door.
4. Lift down the front door.
5. Change the hinge pin over.
6. Then change over the hinge pin for the upper hinge.
7. Then change over the plastic plugs and the hinge sockets located on the upper and lower edges of the front door respectively. Use a flat-bladed screwdriver.
8. Half unscrew the two screws on the sides of the front door.
9. Then take out the door magnet and cover washer.
Right side: Push the magnet/washer upwards and pull them out.
Left side: Push the magnet/washer downwards and pull them out.
10. Fit the door magnet and cover washer.
11. Screw in the two screws on the sides of the front door.
12. **TDC44:** Open the condenser housing cover.



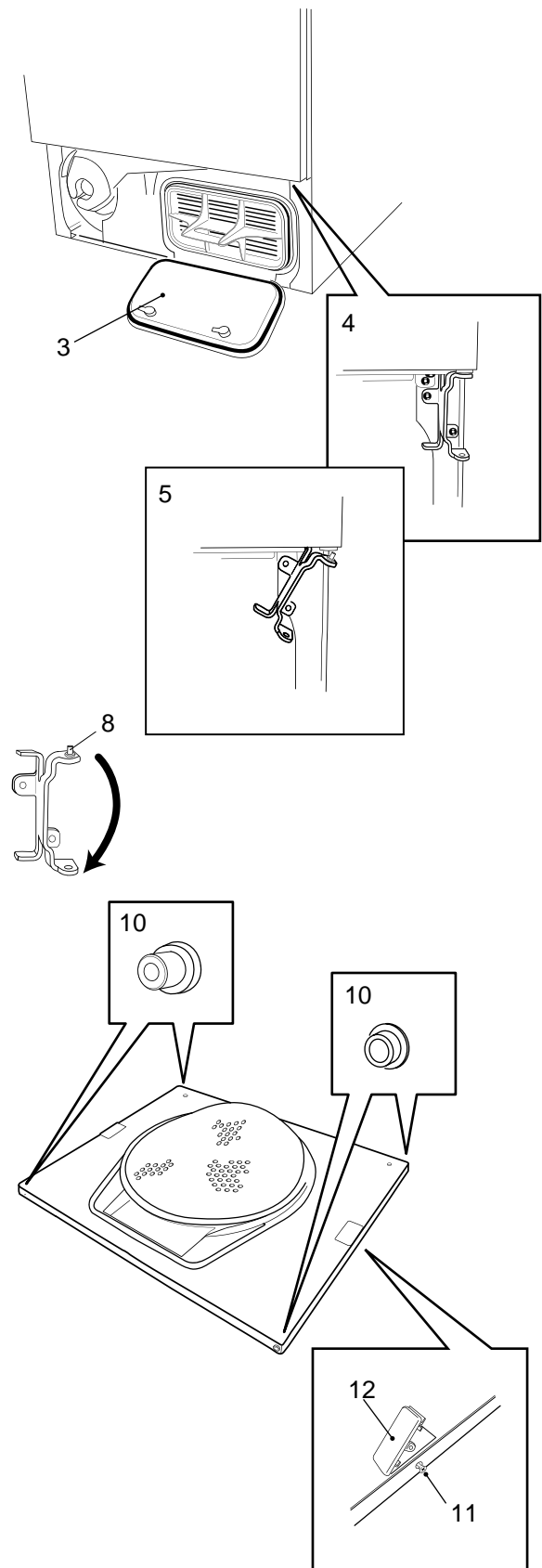
DOOR HANGING

13. Remove the screw that is securing the front panel at the bottom edge of the side where the hinge will be installed.
14. Keep the front door in place with the door magnet.
15. Install the hinge fixing in the order a,b,c,d.
16. Refit the screw that secures the front panel at the bottom edge.
17. **TDC44:** Close the condenser housing cover.
18. Refit the bottom cover.



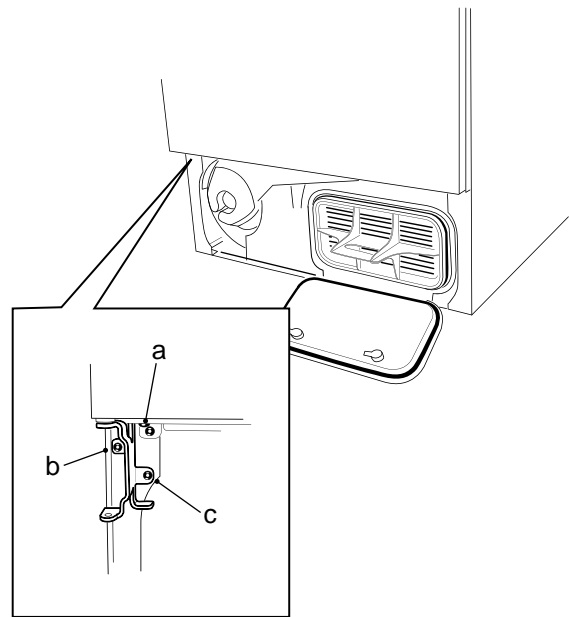
Right hanging to left hanging

1. Keep the front door closed, it will be held in position by the door magnet.
2. Remove the bottom cover.
3. **TDC44:** Open the condenser housing cover.
4. Remove the 3 screws that secure the hinge fixing and the lower screw that secures the front panel.
5. Tilt the hinge fixing so that it comes free from the hinge socket in the front door.
6. Tighten the lower screw securing the front panel.
7. Lift down the front door.
8. Change the hinge pin over.
9. Then change over the hinge pin for the upper hinge.
10. Then change over the plastic plugs and the hinge sockets located on the upper and lower edges of the front door respectively. Use a flat-bladed screwdriver.
11. Half unscrew the two screws on the sides of the front door.
12. Then take out the door magnet and cover washer.
Right side: Push the magnet/washer upwards and pull them out.
Left side: Push the magnet/washer downwards and pull them out.
13. Fit the door magnet and cover washer.
14. Screw in the two screws on the sides of the front door.
15. Keep the front door in place with the door magnet.



DOOR HANGING

16. Install the hinge fixing in the order a,b,c.
17. **TDC44:** Close the condenser housing cover.
18. Refit the bottom cover.




GENERAL

There is more information in chapter "Test program and fault indications"

THE MACHINE WILL NOT START

Check

- that the outer lid is properly closed.
- that the mains power button is pressed in.
- if the child lock is activated. To start the tumble dryer when the child lock is activated, hold in the -button for 3 seconds. See Changing settings.
- that you have set the program or the desired timer program correctly.
- that the condensation water tank is empty. (TDC44)
- that if a power plug is used it is connected.
- that the fuses for the house electricity supply are not blown. Change two of the fuses over. It is not always visible from the outside when a fuse is blown.
- that the overheating protection has not tripped, see below.

OVERHEATING PROTECTION

The overheating protection switches off the tumble drier if the temperature is too high, e.g. because fluff is blocking the fluff filter. Clean the filter, empty the condensation water tank and clean the condenser. Then reset the overheating protection by pressing on the rubber membrane at the rear of the machine.

Overheating protection tripped even though fluff filter and condenser unit have been cleaned.

1. Fault in control unit
2. Fluff in internal fan wheel - clean also air ducts and behind the element.
3. Motor overheating protection tripped.

ERROR MESSAGES

The display text field shows a message if a fault occurs during the time the program is running. The error messages that may be shown are:

Maximum program time: When the machine has been running for its maximum time (3 hours) it will stop.

This can have several independent reasons, or a combination of these.

1. Mains power fuse has blown
2. Fluff in the filter, condenser unit or fan housing.
3. Incorrect connection to single phase, 10A
4. External air is restricted or blocked, resulting in poor condensation
5. High ambient temperature + low heating element power + low drying temperature resulting in poor condensation
6. Low ambient temperature + low heating element power + low drying temperature so that it is difficult to get the dampness out of the clothes .
7. The washing has been spun dry at low speed, i.e. less than 800 rpm
8. The washing has been taken out before the program was completed. The machine was then loaded with a new batch of washing. In that case the control unit did not have time to reset itself and the time was added to the next drying cycle.
9. Damaged humidity sensor, its wiring or connections.

To remove the error message, switch off the machine or open its door.

Thermistor error: Thermistor fault, change thermistor.

Sensor error: Fault in the humidity sensor. This error message may also appear if you run the machine with laundry that is already dry, or run it empty. Open the door and the message should disappear.

Overfull: (TDC44) Means that the condensation water tank is full. Empty it and restart. If the same error message appears again, it can mean that the

FAULT TRACING

bottom water container is full, because the pump or hoses are blocked or faulty. If the condensate water is pumped straight out via the drain hose - check that the hose is not kinked or blocked.

Other possible reasons:

Condenser water pump is blocked or burned out. If the pump is burned out an associated fault will be burned wiring in the control unit. Always check first if the condenser water pump has burned out before installing a new control unit.

See service bulletin Group 22 Number 21.

DISPLAY

Incorrect language on the display

If for some reason the language on the display has changed, you can go back to the original language.

Earlier models had two versions of the machine (Alternatives 1 and 2) but now all eleven languages are present in all machines.

Alternative 1: The languages you can choose from are Danish, Finnish, French, Dutch, Norwegian and Swedish.

Alternative 2: The languages you can choose from are English, French, Italian, Portuguese, Spanish and German.

To change the language, do this:

Switch off the mains power button, (Ⓞ), and press it again to restart the machine.

Press the (P8) button five times, then press the (P1) button five times. These 10 button presses must be done within 15 seconds.

Within 3 seconds of last pressing the (P1) button, use the (P6) (P7) buttons to step through to the language you want.

The display is black

Check the overheating protection.

See Fault tracing "Overheating protection".

The display is lighting when a programme is selected, but no characters or digits are shown

No characters or digits are shown on the display when a locked programme is selected.

To unlock a programme, see Changing settings.

PROBLEMS IF THE PROGRAM UNIT IS CHANGED

If the program unit is changed, check if the jumper is cut correctly. Cut J1 on TDC44. Do **not** cut J2!

COMMON QUESTIONS AND PROBLEMS

The machine only runs for 20 minutes?

1. Mains power fuse has blown.
2. Overheating, fluff blocking the filter, condenser unit or fan housing.
3. Overfilling: The display shows "Fault indication, filling"
4. The machine does not reach the measured value of 1,8 mV within 15 minutes.
This can be due to:
 - Incorrect connection to single phase = too low heating element power (720 or 600 W)
 - Incorrect connection of element to control unit
 - Incorrect connection in element terminal block
 - Humidity sensor not located in fan housing
 - Faulty humidity sensor
 - Heating element open circuit
5. Drive belt running incorrectly on motor shaft = too high drum speed > 56 rpm

The washing will not dry?

1. Air leakage around the moisture sensor sea will cause incorrect drying operation. / Verify the seal.
2. Incorrect setting in moisture sensor. (The sensor is sensitive to impact)/ Replace it.
3. Air leakage at door seal will cause incorrect drying operation. / Verify the seal.
4. Air leakage around the motor shaft (loose seal, incorrect setting) will affect the drying result when the "Iron dry" programme is used. / Verify the seal.

Uneven drying results

1. Mixing different types of garments may result in uneven drying results. (E.g. thick terry towels with thin garments of cotton/polyester)
2. The tumbler load also affects the drying result. If the tumbler is filled (5 kg) with e.g. jeans, the drying result could be uneven. The garments in the tumbler must have sufficient space to tumble.

Tumble drying is taking too long

Check that the fluff filter is not blocked.

1. Check that the fluff filter is not blocked.
2. TDC44: check that condenser are not blocked.
3. Spinning the garments in the washing machine affects the drying time. Spin at at least 800 revolutions. A short spin cycle at 800 revolutions is not recommended.
4. A tumbler dryer has a very high air exchange level. Small spaces can heat up quickly, prolonging the drying time. Be sure there is sufficient ventilation where the machine is installed. As an example, open the doors to other rooms.
5. Heating elements with low power (single phase, 10 A) also prolongs the drying time.
6. TDC33: The length of and number of bends on the evacuation hose affects drying operation. Try to use a hose as short as possible and if bending is needed soften the bends. Low points in the hose can create water pockets and block the airflow.

COMPONENTS AND MEASUREMENT VALUES

MOTOR

50 Hz

Part no.: 80 618 24

Resistance of winding

Cabel marked white-blue: 24,5 Ω

Cabel marked white-red: 26,5 Ω

Voltage: 220/240 V

Current: 1,1 A, 270 W, 2850 rpm

60 Hz

Part no.: 80 618 95

Resistance of winding

Cabel marked grey-blue: 25,5 Ω

Cabel marked grey-red: 16,0 Ω

Voltage: 220/240 V

Current: 0,9 A, 200 W, 3300 rpm

The 2-pole motor is connected directly to the fan for internal air, and via a gear to drive the drum. On machines with condensers (TDC44) it also drives the fan for external air. All resistance values are $\pm 7\%$.

CAPACITOR

Part no.: 80 542 68

The capacitor is located on the motor and has a value of 8 μ F.

CONDENSATE WATER PUMP HANNING

TDC44 25W

Part no.: 80 638 09

Resistance: 111 Ω

RADIO INTERFERENCE FILTER

Part no.: 80 585 58

Leakage current: 230 V/ 50 Hz 0.315 mA

The filter eliminates radio interference generated by the machine.

INDICATION LAMP

Part no.: 80 070 73

Current: 1.68 mA, 230 V, 50 Hz

The lamp indicates that the main power switch is set to on.

THERMISTOR

Part no.: 80 619 00

Resistance: 40-60 k Ω at 20°-30°C

The thermistor controls temperature regulation. If the thermistor becomes short-circuited or disconnected from the control unit, the program stops.

CONTACTOR

50 Hz

Part no.: 80 091 48

60 Hz

Part no.: 80 603 80

The contactor opens in case of overheating, when the door is opened and at the end of the program.

OVERHEATING PROTECTION

Part no.: 80 084 87 (150°C manual)

The 150°C thermostat stops the program if the temperature rises too high and has to be manually reset. This thermostat is also called the overheating protection.

HUMIDITY SENSOR

Part no.: 80 618 55

The humidity sensor is used to control the drying process. During operation the sensor output signal is between 1 and 16 mVDC. Any other value causes the program to stop.

DOOR SWITCH

Part no.: 50 531 07

The front-loading door operates a door switch, and when this is open the program stops. If the door has been opened and closed again during the program, the machine must be restarted with the start button.

OVERFILLING PROTECTION TDC44

Part no.: 80 526 43

If both of the tumble drier containers are overfilled, the program is halted by a switch located in the lower container. The display indicates overfilling.

ELECTRICAL CONNECTIONS

The machine is supplied, depending on market, for one of the following supplies (see rating plate):

- A. 3-phase, 400V 50Hz supply 10A, heating power 2620/2500W.
- B. Single-phase, 230V 50Hz supply 13/16A, heating power 2620/2500W.
- C. Single-phase, 230V 50Hz supply 10A, heating power 1900W.

The connection cable is 2.0 metres of RKK 5x1.5 mm².

PROGRAM CONTROL TDC44

Program unit

The control unit contains microprocessors to control the program, motor, heating element etc.

Part no.: 80 639 24

LIQUID CRYSTAL DISPLAY UNIT (Panel board)

The LC display unit include press buttons and indications.

Part no.: 80 638 75 (ASKO)

Part no.: 80 637 29 (OEM)

COMPONENTS AND MEASUREMENT VALUES

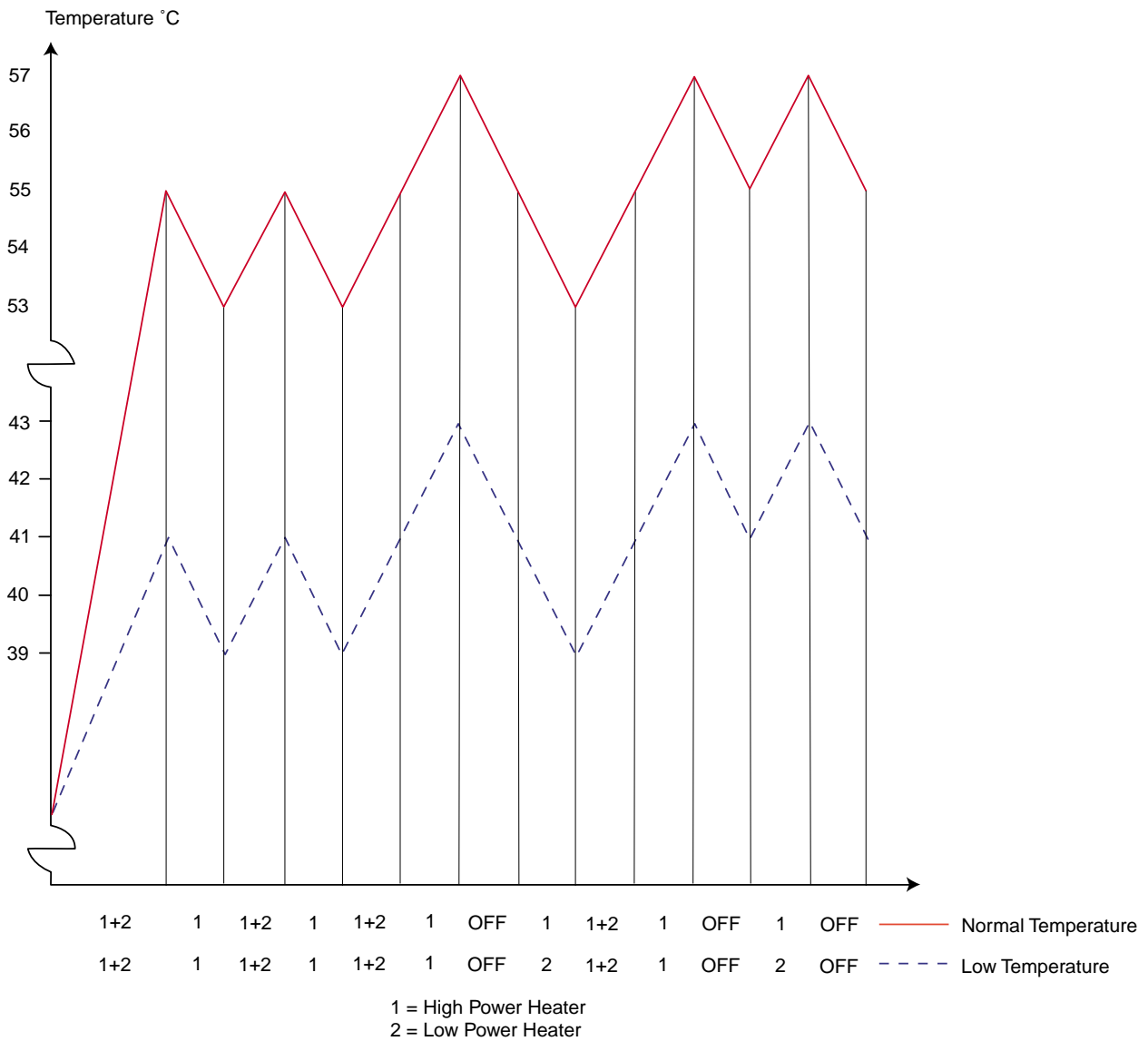
HEATING ELEMENT

TDC33 2620 W

Part no.: 80 618 33

Resistance: 66.7/25.7 Ω

The element has a maximum power rating of 2620W but consists of two loops of 1900W and 720W, which permits rewiring from 2620W to 1900W.

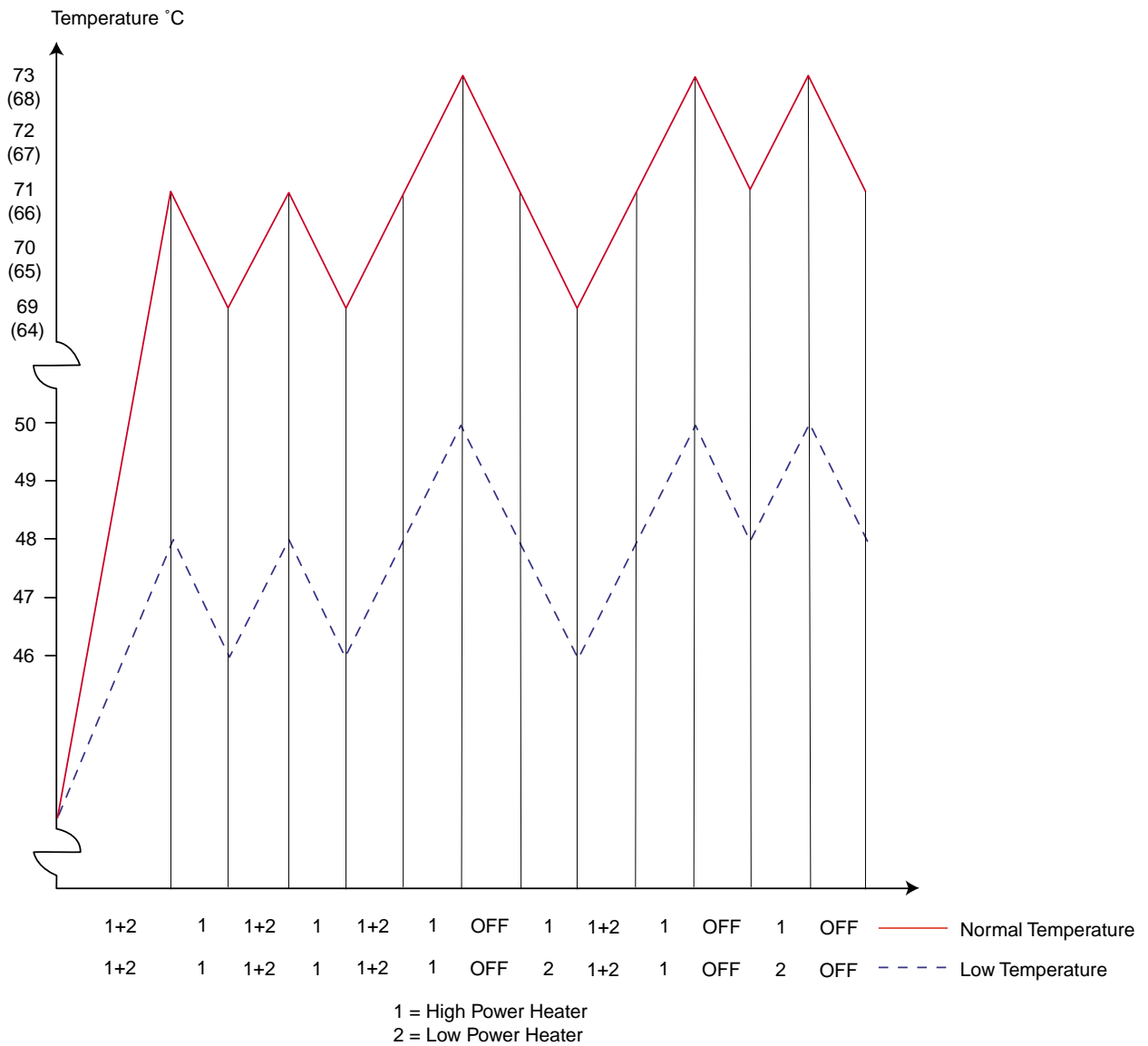


TDC44 2500 W

Part no.: 80 638 08

Resistance: 79,7/25 Ω

The element has a maximum power rating of 2500W but consists of two loops of 1900W and 600W, which permits rewiring from 2500W to 1900W.



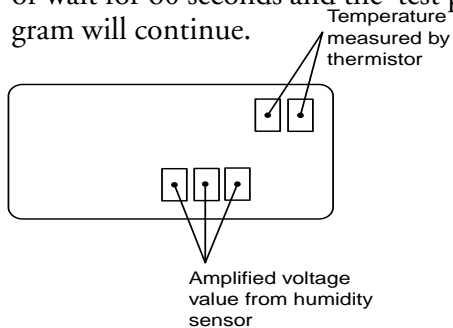
TEST PROGRAM AND FAULT INDICATIONS

TEST PROGRAM

The machine must be in its starting state (obtained by pressing the main power button).

Connect the jumper on the outputs ST4-1 and ST4-2.

- Start** Start the test program.
- P1** TDC44: Start the condensation water pump.
- P2** or wait for 60 seconds and the test program will continue.



The program heats, increasing the temperature by 14° in max. 10 minutes, then allows it to cool for 5 minutes (testing that the heating element is working).

The value detected by the humidity sensor can vary according to the environment and on whether there is wet clothing in the tumble drier.

INTERNAL COUNTER

The electronic control unit contains an internal counter of the number of drying cycles.

To show the number of drying cycles in the display:

1. Switch off the power switch, **⊙** and connect the jumper on the outputs ST4-1 and ST4-2.
2. Switch on the machine again.
3. Press the **P8**-button five times.

The counter is shown on the display.
The counter disappears when the jumper is disconnected.

FAULT INDICATIONS

Overfill:	Overfill condensation water holder.
Maximum running time:	Maximum running time achieved, 3 hours.
Thermistor fault:	Thermistor fault.
Sensor fault:	Fault in humidity sensor.

Reasons for faults

Open or short circuit in thermistor

Program stops and display shows "Thermistor fault". The thermistor may have become disconnected or have an internal fault. A serviceable thermistor has a resistance of between 60 and 40 kΩ at 20-30°C.

Thermistor not installed in fan housing

The heating element will remain switched in for as long as the thermistor cannot detect the selected air temperature. This can lead to an excessively high air temperature in the drum.

Blocked filter

The overheating protection (150°C) will be tripped and the machine will stop. Reset is manual in the back of the machine.

Humidity sensor not installed in fan housing or control unit

The machine will stop after 20 minutes.

Incoming phase missing

- Error L1, the machine will stop after 20 minutes. Low heating element power (720 or 600W).
- Error L2, the machine will not start. Indication lamp not lit.
- Error L3, the machine operates but the running time is too long (low heating element power (1900W)).

380V between each phase and neutral

The fan motor stops after a few seconds. Overheating protection trips, heating element and control damaged.

TDC33

The following conditions apply for the consumption values stated below:

Incoming air temperature: 20 °C
 Incoming air humidity: 65 %
 Drying temperature: Normal (⊗)
 Low (⊗)

Heating element power: 2620 W

Cotton garments should, before tumble drying, be spun at 1000 rpm (long spin drying) in an ASKO washing machine.

Other garments (non-iron and acrylic) should, before tumble drying, be spun at 800 rpm (short spin drying) in an ASKO washing machine.

PROGRAM	MATERIAL	TEMP.	LOAD	ENERGY CONSUMPTION (appr. kWh)	PROGRAM TIME (appr. minutes)
P1	Cotton, linen	⊗	max (5,0 kg)	3,0	95
P2	Cotton, linen	⊗	max (5,0 kg)	2,8	85
P3	Cotton, linen	⊗	max (5,0 kg)	2,6	75
P4	Cotton, linen	⊗	max (5,0 kg)	2,2	60
P5	Non-iron Polyester/ Cotton	⊗	max (2,5 kg)	1,4	70
P6	Non-iron Polyester/ Cotton	⊗	max (2,5 kg)	1,3*	60
P7	Polyester/Cotton, Acrylic, Rayon, Acetate	⊗	max (2,5 kg)	1,2*	50
P8	Polyester/Cotton, Acrylic, Rayon, Acetate	⊗	max (5,0 kg)	1,0	40

The consumption values may differ between machines for differens markets. To get the values for the machine, see the user guide for the machine.

CONSUMPTION VALUES

TDC44

The following conditions apply for the consumption values stated below:

Incoming air temperature: 20 °C
 Incoming air humidity: 65 %
 Drying temperature: Normal (⊗)
 Low (⊗)

Heating element power: 2500 W

Cotton garments should, before tumble drying, be spun at 1000 rpm (long spin drying) in an ASKO washing machine.

Other garments (non-iron and acrylic) should, before tumble drying, be spun at 800 rpm (short spin drying) in an ASKO washing machine

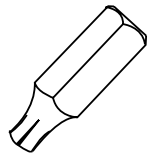
PROGRAM	MATERIAL	TEMP.	LOAD	ENERGY CONSUMPTION (appr. kWh)	PROGRAM TIME (appr. minutes)
P1	Cotton, linen	⊗	max (5,0 kg)	3,9	115
P2	Cotton, linen	⊗	max (5,0 kg)	3,6	105
P3	Cotton, linen	⊗	max (5,0 kg)	3,1	90
P4	Cotton, linen	⊗	max (5,0 kg)	2,5	80
P5	Non-iron Polyester/ Cotton	⊗	max (2,5 kg)	1,6	70
P6	Non-iron Polyester/ Cotton	⊗	max (2,5 kg)	1,5*	65
P7	Polyester/Cotton, Acrylic, Rayon, Acetate	⊗	max (2,5 kg)	1,4*	60
P8	Polyester/Cotton, Acrylic, Rayon, Acetate	⊗	max (5,0 kg)	1,0	50

The consumption values may differ between machines for differens markets. To get the values for the machine, see the user guide for the machine.

LIST OF TOOLS

"Torx" spanners:

- T25
- T20
- T10



U-ring spanners:

- 11/16"
- 13 mm
- 8 mm

Socket screwdriver:

- 10 mm

Flathead screwdriver 6.5 - 7 mm

Star socket head screwdriver

Flat-nose pliers

TOOLS

APPLICATION AREAS

Top lid:

- torx T25

Rear piece:

- torx T25
- torx T20
- U-ring spanner 13 mm
- special tool (Part no. 72 816 15)

Input terminal block:

- torx T25
- torx T20
- U-ring spanner 8 mm

Radio interference filter:

- torx T25
- U-ring spanner 13 mm

Contactors:

- torx T25
- torx T20

Fuse holder:

- torx T25
- U-ring spanner 11/16"

Drum:

- torx T25
- torx T20
- socket spanner 10 mm
- special tool (Part no. 88 011 54)

External fan housing:

- torx T25
- torx T20
- socket spanner 10 mm

Motor:

- torx T25
- torx T20
- torx T10
- socket spanner 10 mm
- U-ring spanner 13 mm
- special tool (Part no. 88 011 54)

Humidity sensor:

- torx T25
- torx T20
- torx T10
- special tool (Part no. 88 011 54)

Thermistor:

- torx T25
- torx T20
- torx T10
- flat-nose pliers
- special tool (Part no. 88 011 54)

Front frame:

- torx T25
- torx T20
- torx T10
- socket spanner 10 mm
- U-ring spanner 13 mm
- special tool (Part no. 88 011 54)

Front door:

- torx T25
- torx T20
- U-ring spanner 8 mm
- star socket head screwdriver

Front panel:

- torx T25
- torx T20
- torx T10

Panel:

- torx T25
- torx T20
- 6.5-7 mm wide blade screwdriver

Electronic control unit:

- torx T25

Condenser housing:

- torx T25
- torx T20
- socket spanner 10 mm
- special tool (Part no. 88 011 54)

Water tank housing:

- torx T25
- torx T20

Side panels/Bottom:

- torx T25
- torx T20
- torx T10
- 6.5-7 mm wide blade screwdriver

Front panel:

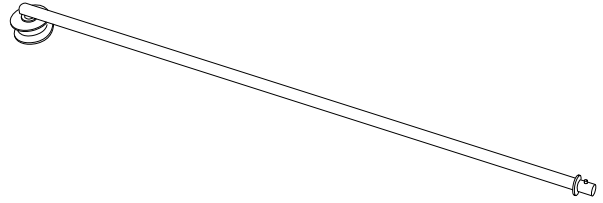
- torx T25
- torx T20
- 6.5-7 mm wide blade screwdriver

SPECIAL TOOLS

INSTALLING THE DRUM TD20

Part no. 88 011 54

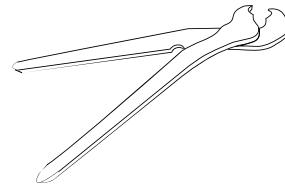
The tool hangs in one of the punched-out key-holes in the front rail, then the rear edge of the drum is rolled up on to the roller and the drum is held in place.



INSTALLATION OF FELT STRIP SEAL

Part no. 72 816 15

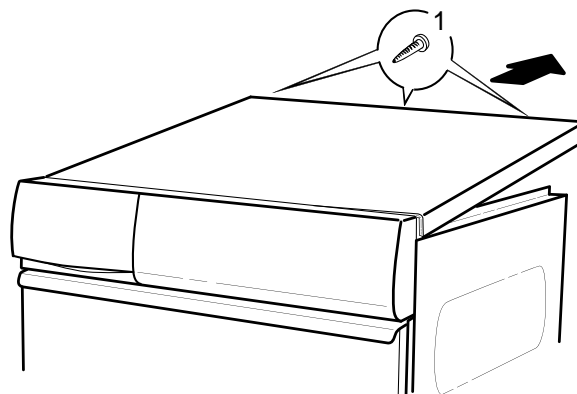
This tool is used to tighten the tensioning band around the felt strip seal.



TOP COVER

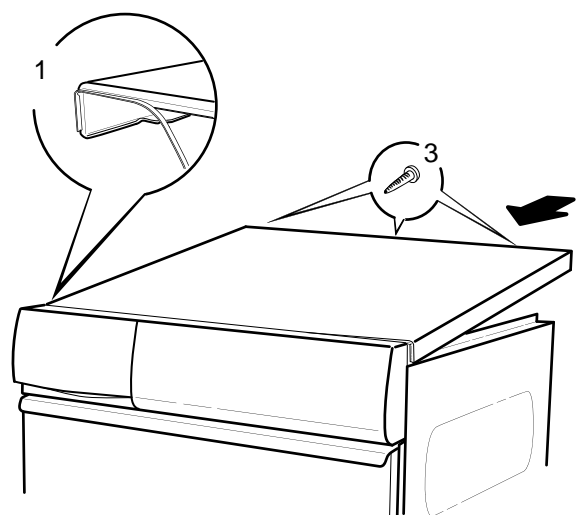
Removing the top cover

1. Remove the 3 screws at the rear of the top cover.
2. Tilt the cover and pull it backwards.



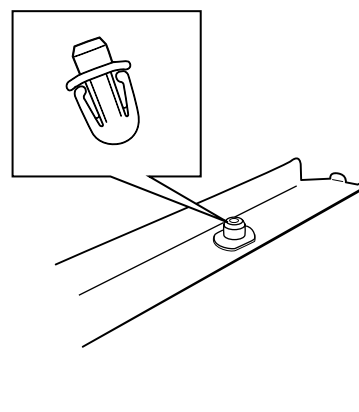
Installing the top cover

1. Ensure that the sealing strip is positioned along the edge of the top cover.
2. Push the front edge of the top cover under the panel and lower the cover.
3. Secure the top cover with the 3 screws at the rear.



Changing the guides

1. Remove the top cover.
2. Squeeze the latches together and pull or push the guide upwards.
3. Push the new guide into place.
4. Secure the top cover with the 3 screws at the rear.



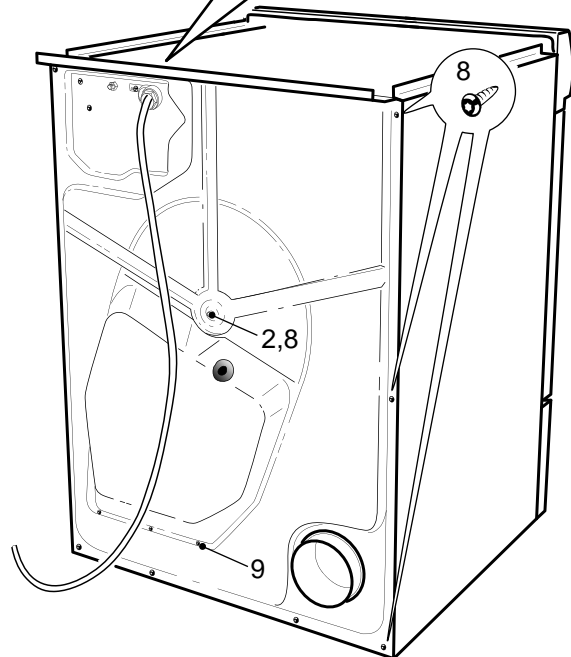
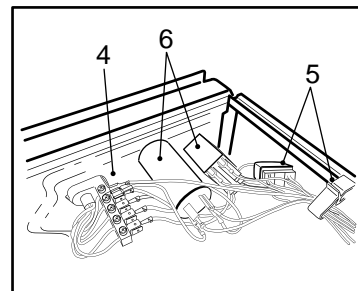
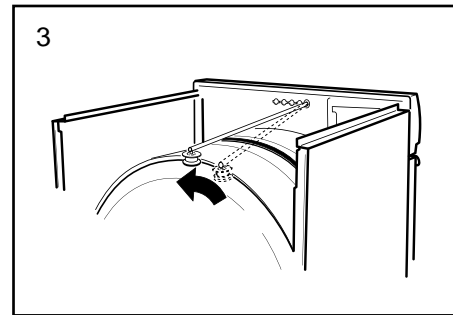
SERVICE

Removing the rear panel

1. Remove the 3 screws at the rear of the top cover and lift it off.
2. Unscrew the centring nut until the face of the nut is level with the end of the thread and knock out the bearing.
3. Fit the special tool (part no. 88 011 54) by fitting the tube end into one of the stamped out keyholes in the front rail. Lift the rear edge of the drum and press the drum edge on to the roller.
4. Remove the earth connection (yellow/green wire) from the input terminal block.
5. Take the cable bundle out of the cable clamp and pull the header block off its terminal pins.
6. Remove the wiring:
Ra, Rb, R13, R14, R34 on the contactor and F3 and F4 on the radio interference filter.
7. **TDC44:** Remove the hoses to the water tank housing.
8. Remove the centring nut and the 8 screws.
9. **TDC44:** Remove the 3 plastic screws.
10. Lift off the rear panel.

Installing the rear panel

11. Hook the rear panel on to the base.
12. Remove the special tool.
13. Screw on the centring nut and fit the 8 screws.
14. **TDC44:** Refit the hoses.
15. Fit the earth connection and the wiring:
Ra, Rb, R13, R14, R34 on the contactor and F3 and F4 on the radio interference filter.
16. Push the header block on to its terminal pins and place the cable bundle in the cable clamp.
17. Fit the top cover.



Removing the inner and outer rear panels

1. Remove the rear panel in accordance with the section "Rear panel - removing...".
2. Remove the screws that secure the inner rear panel to the outer, and the cable clamp.
3. Lift them apart.

IMPORTANT

The bearing is now free and can be removed.

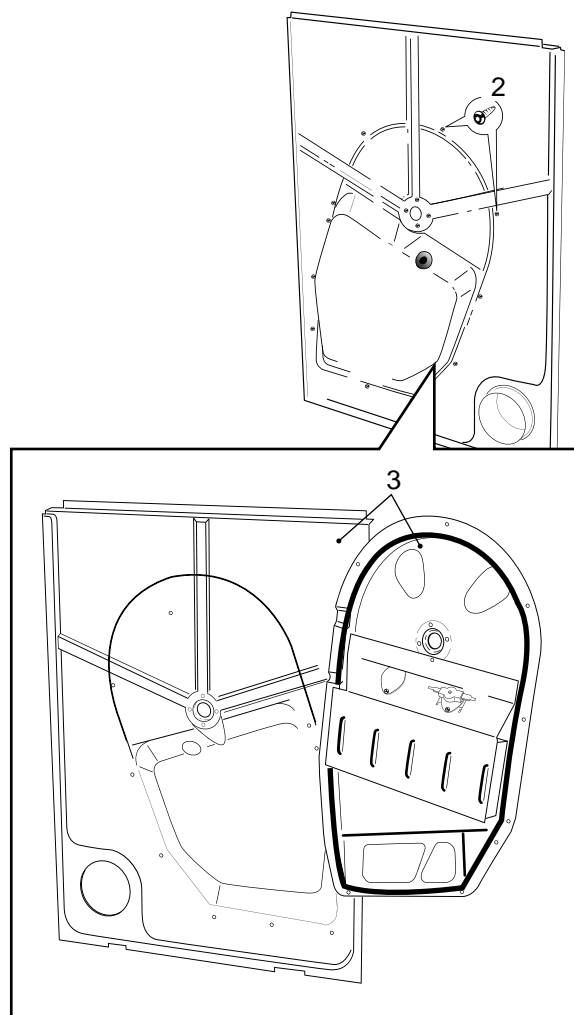
Installing the inner and outer rear panels

4. Put the inner rear panel on to the drum shaft and feed it on to the bearing.
5. Offer up the outer rear panel and secure it with the screws to the inner rear panel, along with the cable clamp.

WARNING

It is important that the wiring bundle runs along its groove.

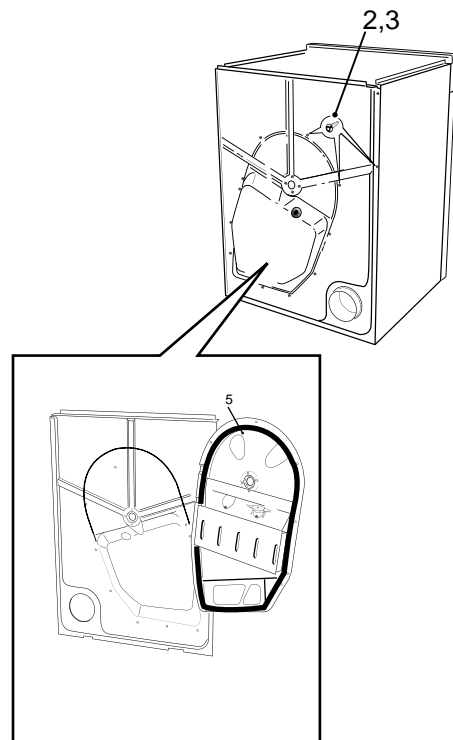
6. Secure the rear panel to the side panels and bottom. Install the remaining wiring in accordance with the electrical schematic diagram and fit the top cover.
7. Tighten the centring nut.



SERVICE

Changing the foam rubber seal

1. Remove the 3 screws at the rear of the top cover and lift it off.
2. Remove the screws that secure the rear panel sides and bottom.
3. Remove the screws that secure the inner and outer rear panels.
4. Lift off the outer rear panel.
5. Change the foam rubber seal.
6. Put the outer rear panel in place.
7. Secure the rear panels to each other.
8. Secure the rear panels to the machine.
9. Fit the top cover.



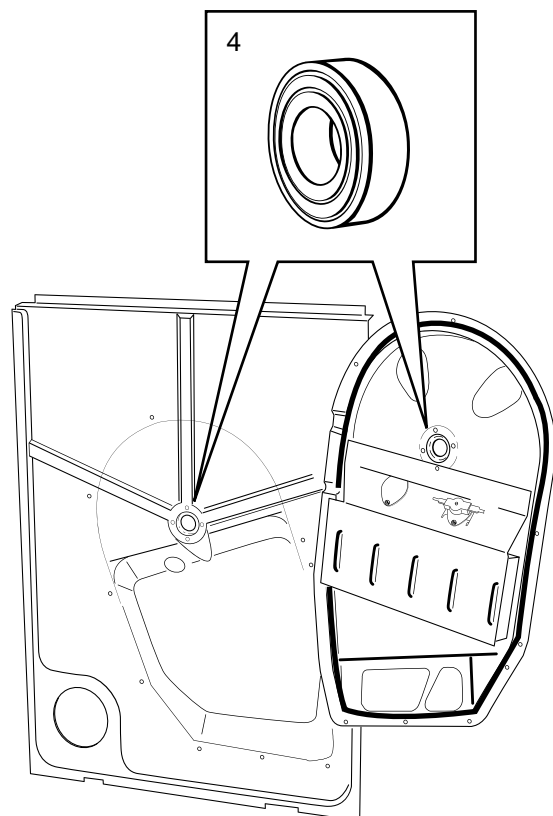
Changing the bearing

1. Remove the rear panel in accordance with the section "[Rear panel - removing...](#)".
2. Remove the screws that secure the inner and outer rear panels, also the cable clamp.
3. Lift them apart.
4. Change the bearing.
5. Put the inner rear panel and the bearing on the shaft.
6. Offer up the outer rear panel and secure the inner rear panel to it, along with the cable clamp.

WARNING

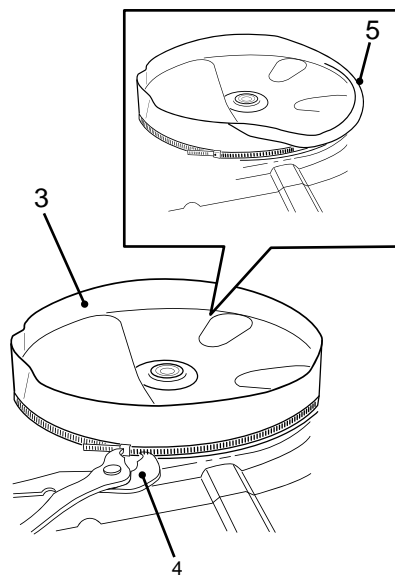
It is important that the wiring bundle runs along its groove.

7. Remove the special tool.
8. Secure the rear panel to the side panels and bottom. Install the remaining wiring in accordance with the electrical schematic diagram and refit the disconnected cables, and the top cover.
9. Tighten the centring nut.



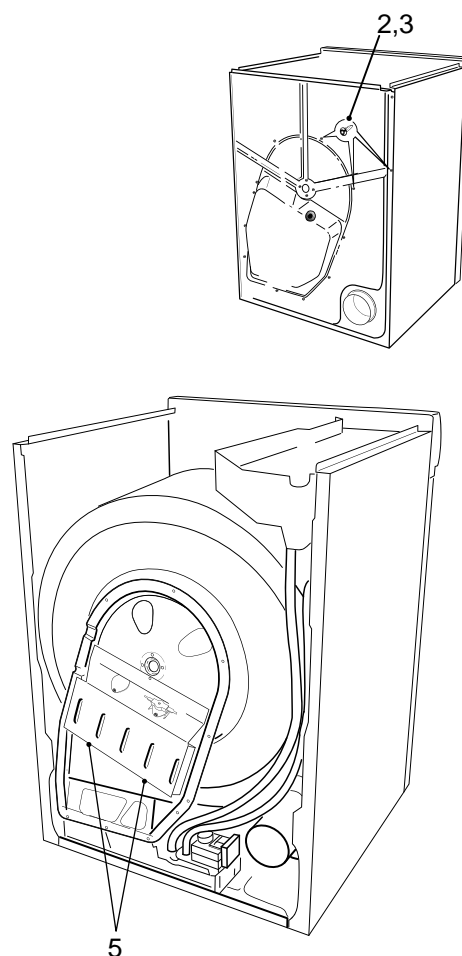
Changing the rear felt strip seal

1. Remove the rear panel in accordance with the section "Rear panel - removing...".
2. Lift off the felt strip seal.
3. Thread the new felt strip into place.
4. Tighten the tensioning band around the felt strip, using the special tool.
5. Fold over the felt strip.
3. Fit the rear panel in accordance with the section "Rear panel - installing...".



Changing/cleaning the heating element

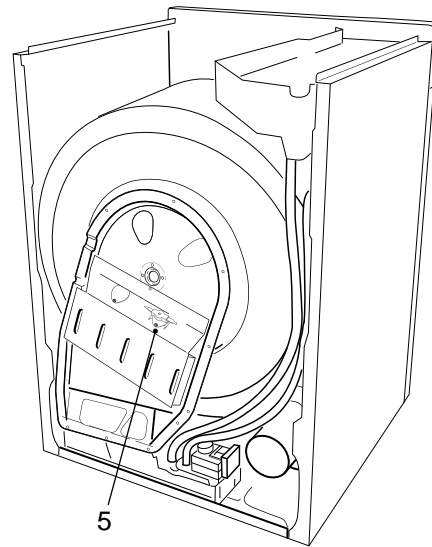
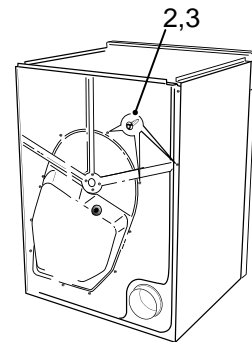
1. Remove the three screws at the rear edge and lift off the top cover.
2. Remove the screws that secure the rear panel to the sides and bottom.
3. Remove screws that secure the inner and outer rear panels, along with the cable clamp.
4. Lift off the outer rear panel.
5. Unscrew the heating element.
6. Install a new heating element or clean the old one.
7. Secure the heating element.
8. Put the outer rear panel in place.
9. Secure the rear panels to each other.
10. Secure the rear panels to the machine.
11. Fit the top cover.



SERVICE

Changing the overheating protection device

1. Remove the three screws at the rear edge and lift off the top cover.
2. Remove the screws that secure the rear panel to the sides and bottom.
3. Remove the screws that secure the inner and outer rear panels, along with the cable clamp.
4. Lift off the outer rear panel.
5. Unscrew the overheating protection device.
6. Fit the new overheating protection device.
7. Secure the overheating protection device.
8. Put the outer rear panel in place.
9. Secure the rear panels to each other.
10. Secure the rear panels to the machine.
11. Fit the top cover.



INPUT TERMINAL BLOCK

Removing the input terminal block

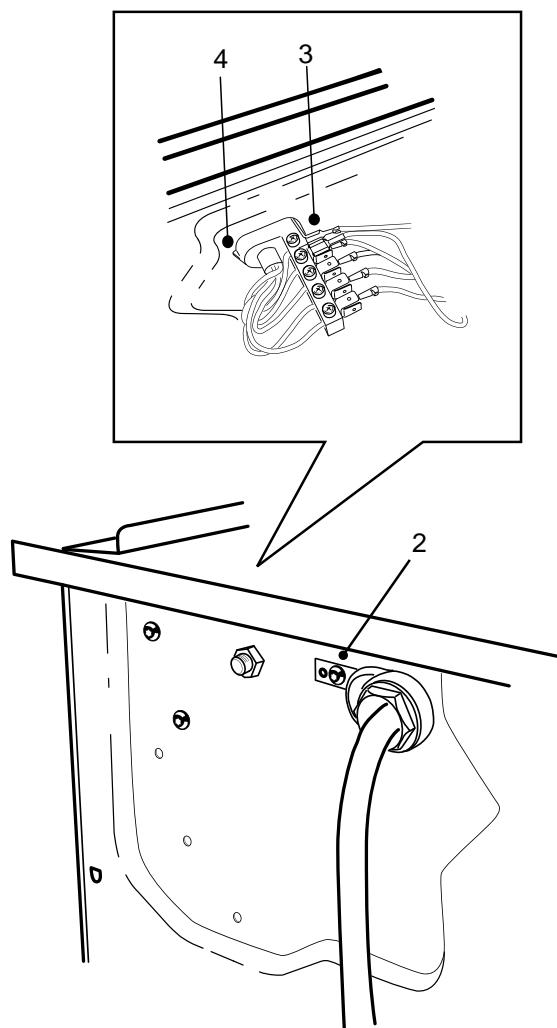
1. Remove the three screws at the rear edge and lift off the top cover.
2. Remove the earth screw.
3. Remove all the wiring.
4. Press in the latches with a screwdriver and pull out the input terminal block.

NOTE

Ensure that the right wires go to the right places when changing the input terminal block and the wiring.

Installing the input terminal block

5. Fit the input terminal block, the latches must snap on to the edge of the plate.
6. Install the wiring in accordance with the electrical schematic diagram.
7. Secure the earth screw.
8. Fit the top cover.



SERVICE

RADIO INTERFERENCE FILTER

Removing the radio interference filter

1. Remove the three screws at the rear edge and lift off the top cover.
2. Disconnect the wiring from the radio interference filter.
3. Unscrew the nut securing the filter.

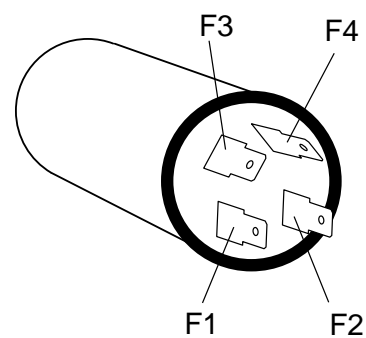
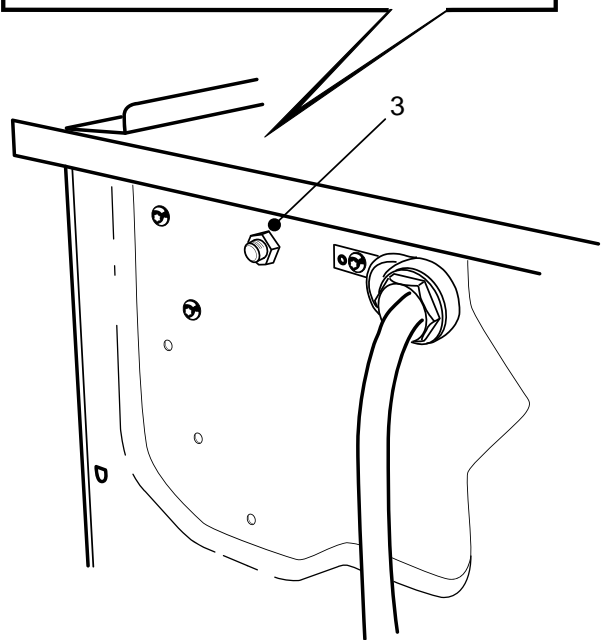
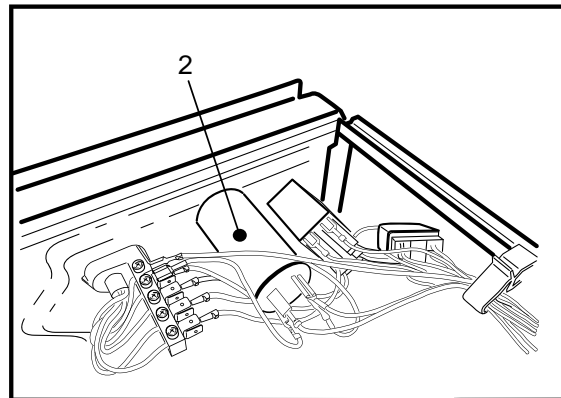
Installing the radio interference filter

4. Fit the radio interference filter.
5. Install the wiring in accordance with the labels on the wires and filter.

IMPORTANT

Connect the wires to the correct flat pin connectors.

6. Fit the top cover.



CONTACTOR

Removing the contactor

1. Remove the three screws at the rear edge and lift off the top cover.
2. Remove the wiring to the contactor.
3. Unscrew the 2 screws that secure the contactor.

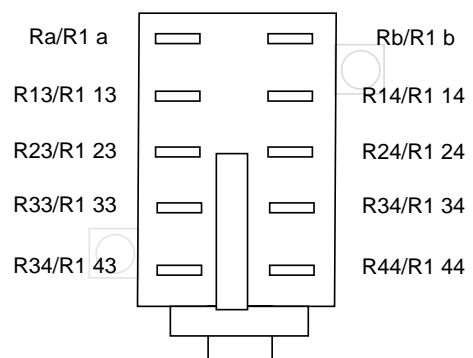
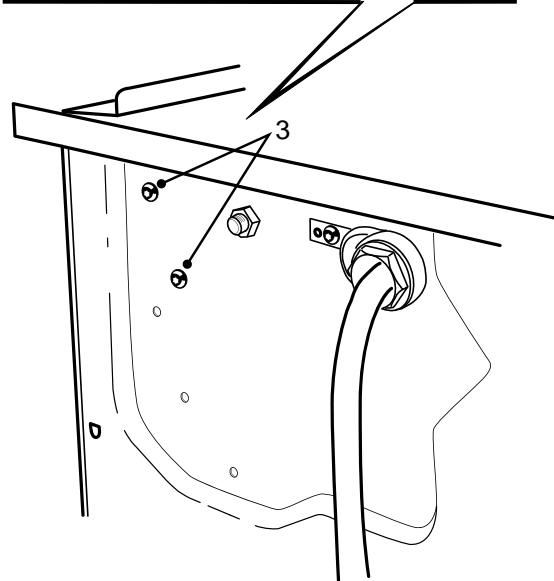
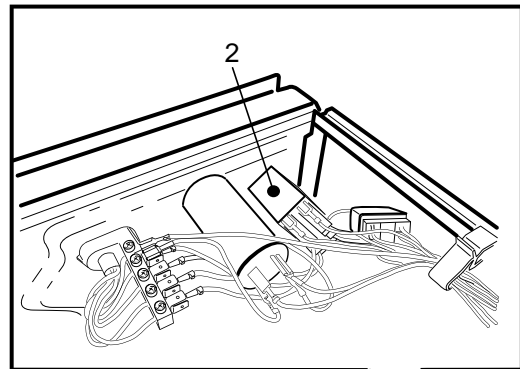
Installing the contactor

4. Fit the contactor.
5. Install the wiring in accordance with the labels on the wires and contactor.

IMPORTANT

Connect the wires to the correct flat pin connectors.

6. Fit the top cover.



SERVICE

FUSE

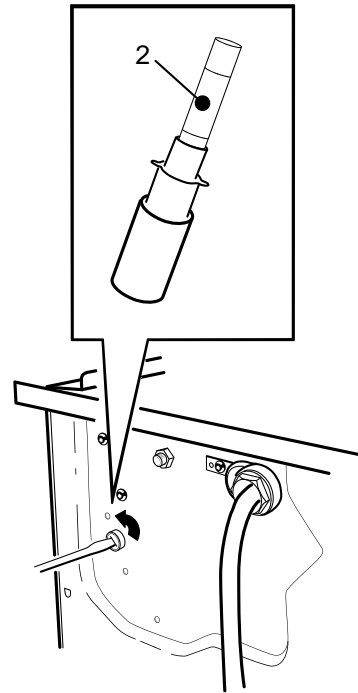
Changing the fuse

1. Remove the fuse holder insert with a screwdriver (1/4 turn).
2. Change the fuse.

IMPORTANT

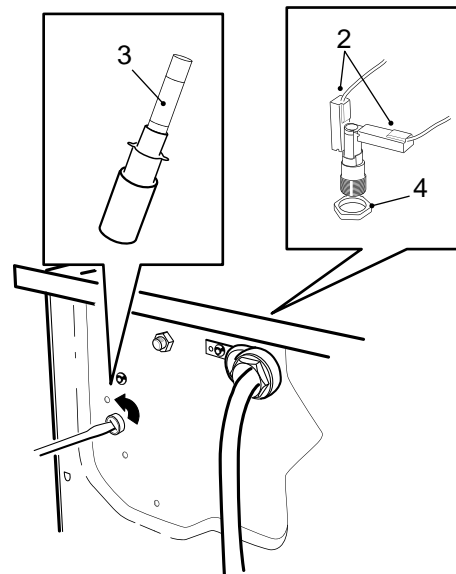
The fuse must be of 250V and 6.3 Ampere type.

3. Fit the fuse holder insert with the fuse into the fuse holder.



Changing the fuse holder/insert

1. Remove the three screws at the rear edge and lift off the top cover.
2. Remove the wiring that goes to the fuse holder.
3. Remove the fuse holder insert with a screwdriver (1/4 turn).
4. Unscrew the fuse holder.
5. Fit the new fuse holder.
6. Connect the wiring.
7. Install the fuse holder and its insert.
8. Fit the top cover.



DRUM

Removing the drum

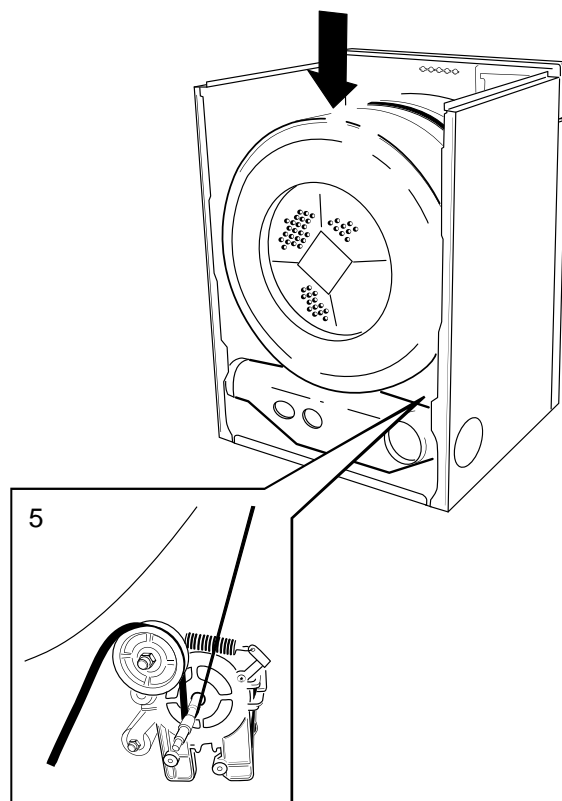
1. Remove the rear panel in accordance with the section "[Rear panel - removing...](#)".
2. **TDC44:** Remove the external fan housing in accordance with the section "[External fan housing - removing...](#)" steps 2-4.
3. Remove the special tool.
4. Remove the belt from the belt tensioner.
5. Lift out the drum while taking off the belt.

Installing the drum

6. Feed the belt over the drum.
7. Feed the belt on to the motor shaft and over the belt tensioner.
8. Offer up the drum against the front frame and install the special tool.
9. **TDC44:** Install the external fan housing in accordance with the section "[External fan housing - installing...](#)" steps 5-7.
10. Install the rear panel in accordance with the section "[Rear panel - installing...](#)".

Changing the drive belt

1. Remove the rear panel in accordance with the section "[Rear panel - removing...](#)".
2. **TDC44:** Remove the external fan housing in accordance with the section "[External fan housing - removing...](#)" steps 2-4.
3. Remove the special tool.
4. Remove the belt from the belt tensioner and take off the belt.
5. Feed the belt over the drum, on to the motor shaft and over the belt tensioner.
6. Install the special tool.
7. **TDC44:** Install the external fan housing in accordance with the section "[External fan housing - installing...](#)" steps 5-7.
8. Install the rear panel in accordance with the section "[Rear panel - installing...](#)".



SERVICE

Changing the drum ridge

1. Remove the three screws at the rear edge and lift off the top cover.
2. Unscrew the 5 screws that secure the drum ridge.

NOTE

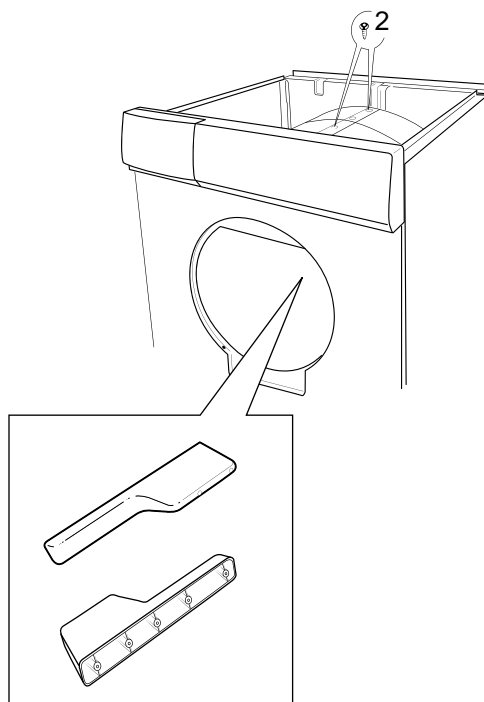
Rotate the drum until you can gain access to the screws.

3. Secure the new drum ridge.

WARNING

The drum ridges must be installed in each direction, see the illustration.

4. Fit the top cover.



EXTERNAL FAN HOUSING (TDC44)

Removing the external fan housing

1. Remove the rear panel in accordance with the section "[Rear panel - removing...](#)".
2. Unclip the external fan housing suction side.
3. Unscrew the external fan wheel and remove it.
4. Lift and pull towards you the external fan housing motor side.

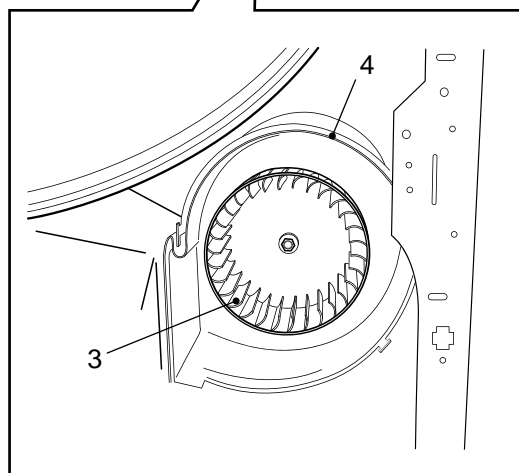
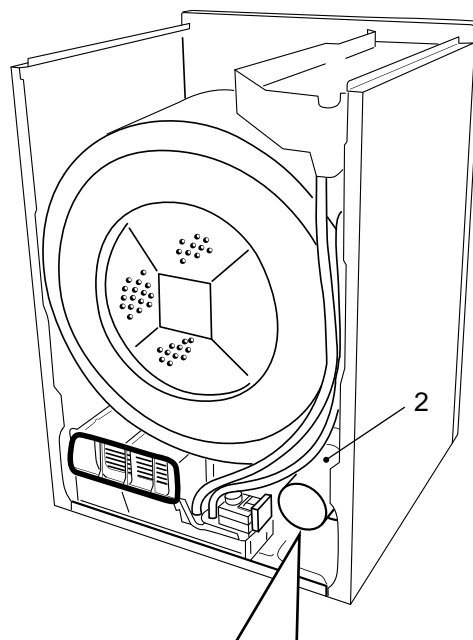
Installing the external fan housing

5. Push the external fan housing motor side on to the motor shaft until the snap fastener locks at the bottom.
6. Install the fan wheel.
7. Install the external fan housing suction side.

IMPORTANT

The snap fasteners must clip securely into place.

8. Install the rear panel in accordance with the section "[Rear panel - installing...](#)".

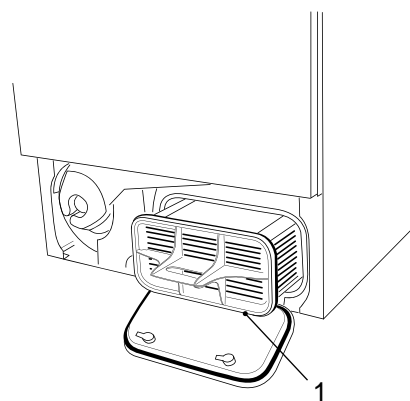


Cleaning the external fan wheel

1. Open the cover and pull out the condenser assembly.
2. Put you arm in, bend the pins out of the way and clean inside.

NOTE

You can also clean the fan wheel by removing the rear panel.



SERVICE

MOTOR

Removing the motor

1. Remove the drum in accordance with the section "[Drum - removing...](#)".
2. Take off the bottom cover (snap fasteners).
3. Remove the fan housing cover (4 snap fasteners and 1 screw).
4. Unscrew the fan wheel.
5. **TDC44:** Remove the external fan housing in accordance with the section "[External fan housing - removing...](#)" steps 2-4.
6. Disconnect the wiring in the switch housing on the motor, and the earthing wire.
7. Unscrew the 4 screws securing the motor to the bottom plate.

NOTE

To gain access to the screws the belt tensioner can be lifted off.

8. Lift out the motor.

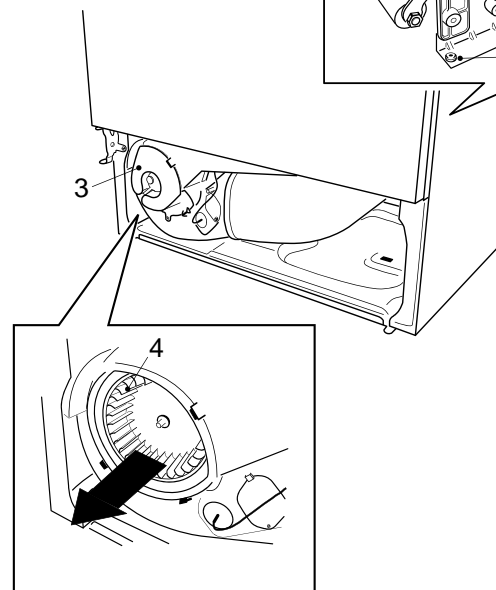
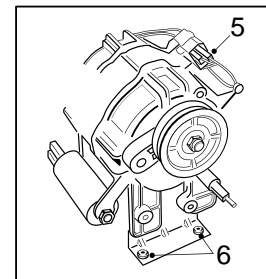
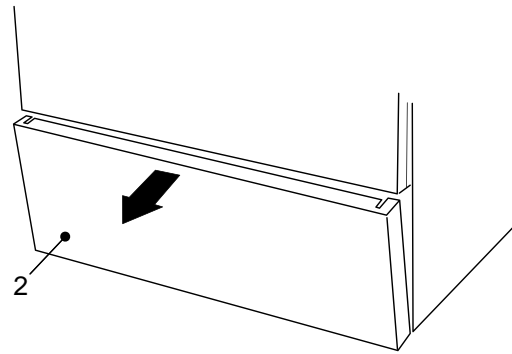
Installing the motor

9. Align the motor with the four holes and secure it.
10. Connect the wiring.

IMPORTANT

Don't forget to put the belt tensioner back.

11. Install the fan wheel and the cover for the fan housing.
12. Put the bottom cover back.
13. **TDC44:** Install the external fan housing in accordance with the section "[External fan housing - installation...](#)" steps 5-7.
14. Install the drum in accordance with the section "[Drum - installation...](#)".



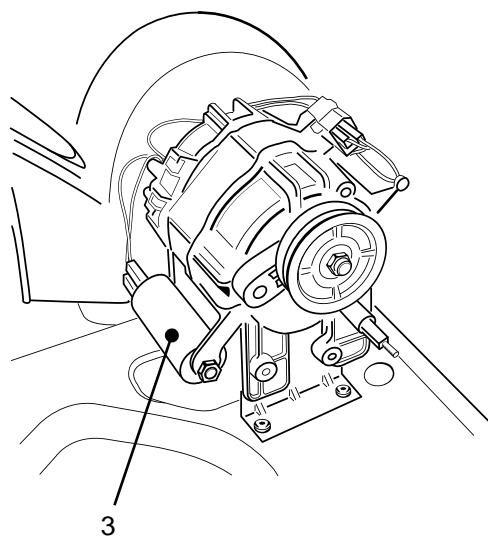
Changing the capacitor

1. Remove the rear panel in accordance with the section "[Rear panel - removing...](#)".
2. TDC44: Remove the external fan housing in accordance with the section "[External fan housing - removing...](#)" steps 2-4.
3. Unscrew the capacitor.
4. Install a new capacitor and connect the wiring.

IMPORTANT

Ensure the wiring connections are correct.

5. TDC44: Install the external fan housing in accordance with the section "[External fan housing - installation...](#)" steps 5-7.
6. Install the rear panel in accordance with the section "[Rear panel - installation...](#)".



SERVICE

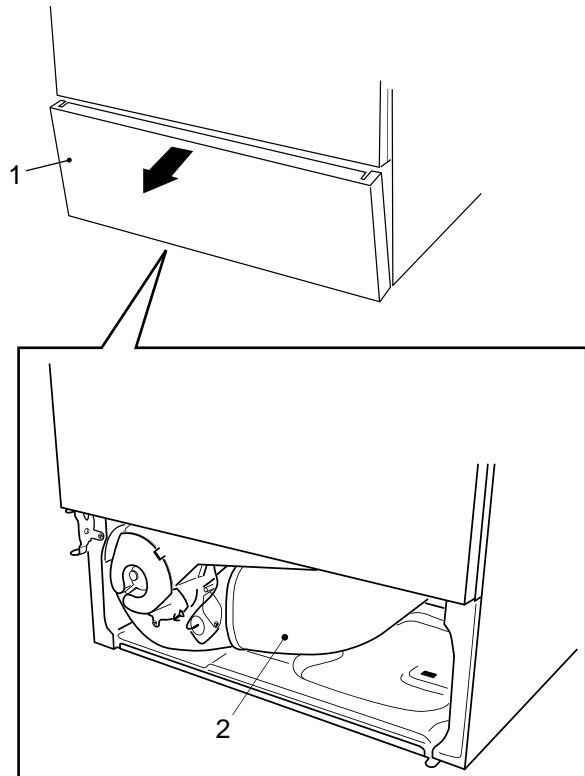
AIR EXTRACTION SYSTEM

Removing the exhaust air duct hook

1. Remove the bottom cover.
2. Take hold of the duct hook and twist it free.

Installing exhaust air duct hook

3. Push one end into the exhaust air duct T-piece.
4. Press it on to the exhaust front lip.

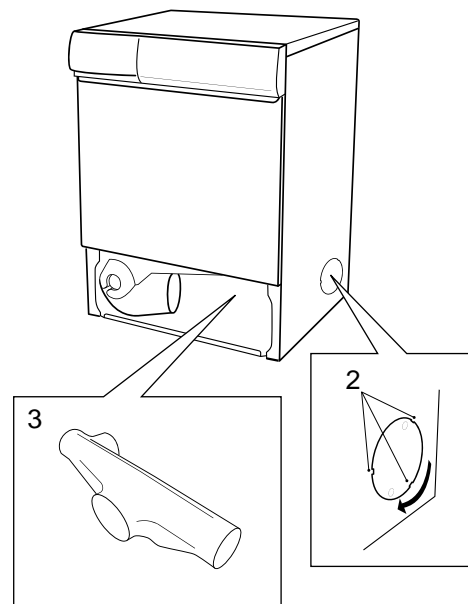


Removing the exhaust air duct T-piece

1. Remove the exhaust air duct hook.
2. Take off the two exhaust covers from the side and/or rear panels by pressing with a screwdriver on the three latches. On machines produced after week 50 1999 the exhaust covers should be unscrewed.
3. Lift out the exhaust air duct T-piece.

Installing the exhaust air duct T-piece

4. Position the exhaust air duct T-piece on the bottom.
5. Install both exhaust covers.



IMPORTANT

The covers must be connected to the T-piece outlets.

6. Install the exhaust air duct hook.

HUMIDITY SENSOR

Removing the humidity sensor

1. Remove the three screws at the rear edge and lift off the top cover.
2. Take off the bottom cover (snap fasteners).
3. Use a screwdriver to remove the plugs.
4. Remove the cover for the fan housing (4 snap fasteners and 1 screw).
5. Unscrew the 2 screws that secure the sensor to the cover.
6. Lift out the humidity sensor.

NOTE

To check if the humidity sensor is faulty, a new sensor can be installed in the fan housing, with its wire taken outside the machine to the control board/programmer.

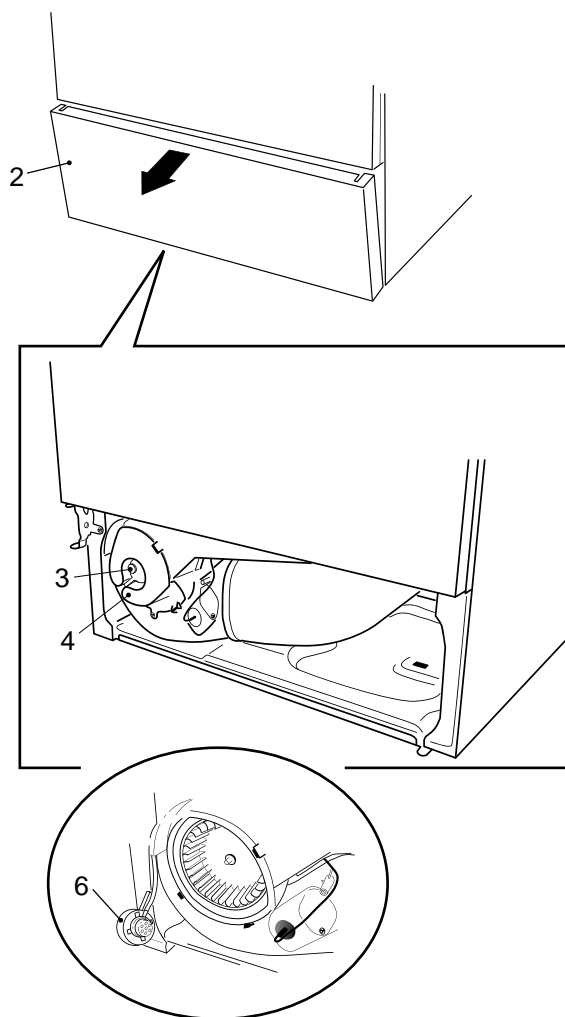
7. Remove the drum in accordance with the section "[Drum - removing...](#)".
8. Remove the humidity sensor from the control board and the wiring from the front frame.
9. Pull out the sensor's connecting cable.

Installing humidity sensor

10. Route the humidity sensor's connecting cable up to the control board.
11. Secure the cable in the cable clamps and connect the plug to the control board.
12. Install the drum in accordance with the section "[Drum - installation...](#)".
13. Install the strip seal on the humidity sensor.
14. Secure the humidity sensor inside the cover and protection.
15. Install the plugs and the cover for the fan housing.
16. Install the bottom and top covers.

IMPORTANT

Always install new strip seal when the humidity sensor is changed.



SERVICE

THERMISTOR

Removing the thermistor

1. Remove the three screws at the rear edge and lift off the top cover.
2. Take off the bottom cover (snap fasteners).
3. Remove the protection.
4. Take out the thermistor with the aid of flat-nose pliers.

NOTE

To check if the thermistor is faulty, a new thermistor can be installed in the fan housing, with its wire taken outside the machine to the control board/programmer.

5. Remove the drum in accordance with the section "[Drum - removing...](#)".
6. Remove the thermistor from the control board and the cable from the front frame.
7. Pull out the thermistor's connecting cable.

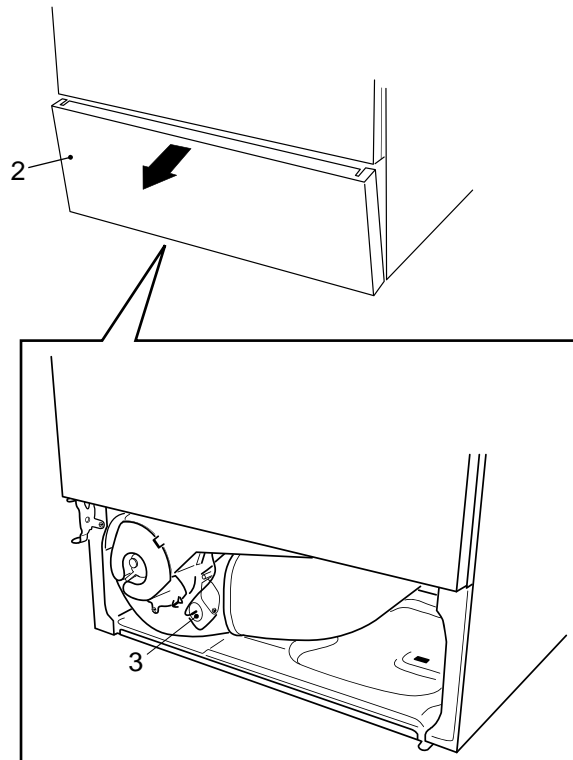
Installing the thermistor

8. Route the thermistor's connecting cable up to the control board.
9. Secure the cable in the cable clamps and connect the plug to the control board.
10. Install the thermistor.

NOTE

The rubber seal for the thermistor must provide a very tight seal

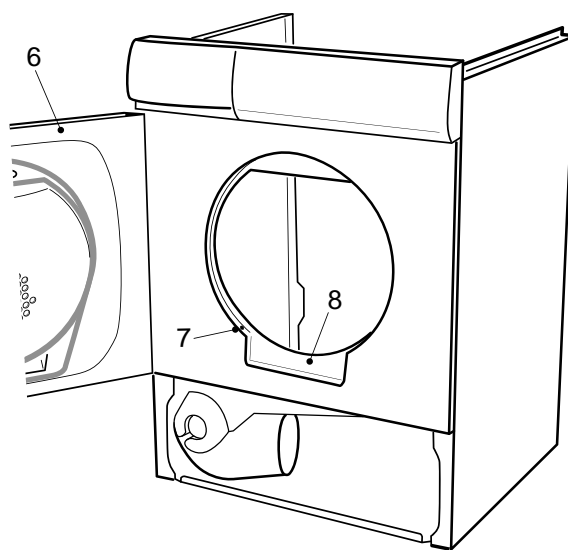
11. Install the drum in accordance with the section "[Drum - installation...](#)".
12. Install the protection, bottom and top covers.



FRONT FRAME

Removing the front frame

1. Remove the motor in accordance with the section "[Motor removing...](#)".
2. **TDC33:** Remove the hooked exhaust duct by twisting it free.
3. Remove the wire bundle from the cable clamps on the front frame.
4. Remove the fan housing cover (4 snap fasteners and 1 screw).
5. Take out the thermistor with the aid of flat-nose pliers.
6. Open the front door.
7. Unscrew the 4 screws that secure the front frame to the front panel.
8. Lift out the front frame.



Installing the front frame

9. Offer up the front frame against the front panel.
10. Tighten the 4 screws that secure the front frame to the front panel.
11. Install the thermistor.
12. Install the fan housing cover (4 snap fasteners and 1 screw).
13. Put the cable bundle into the cable clamps.
14. **TDC33:** Install the exhaust duct hook by pressing it on to the front frame exhaust lip.
15. Install the motor in accordance with the section "[Motor installation...](#)".

SERVICE

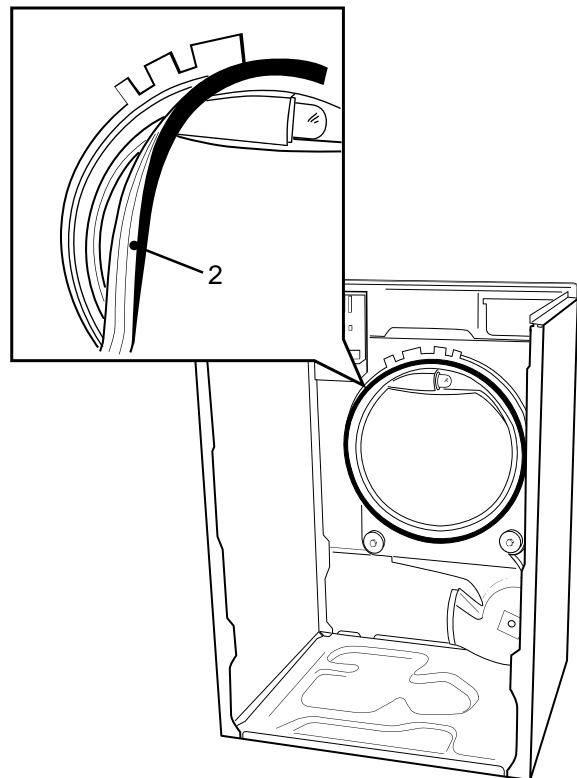
Changing the front felt seal

1. Remove the drum in accordance with the section "[Drum - removing...](#)".
2. Remove the seal.
3. Install the new seal evenly distributed around the groove.

IMPORTANT

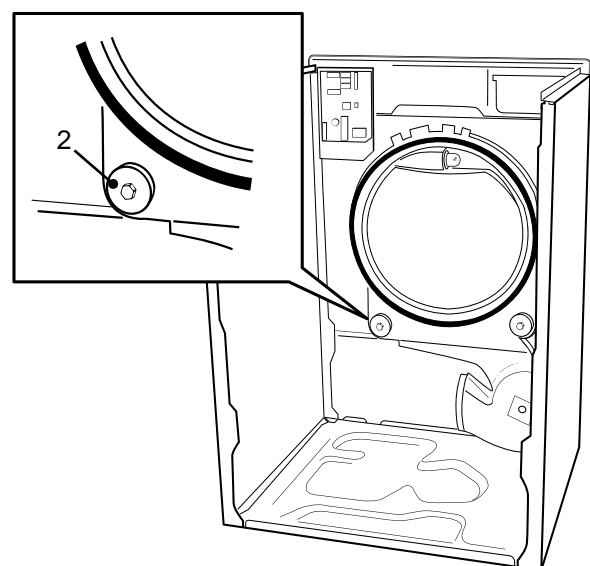
The strip seal must be pressed firmly all around the groove. Irregular fitted strip seal can cause unwanted noise.

4. Install the drum in accordance with the section "[Drum - installation...](#)".



Changing the support roller

1. Remove the front frame in accordance with the section "[Front frame - removing...](#)".
2. Unscrew the support roller.
3. Install the new support roller.
4. Install the front frame in accordance with the section "[Front frame - installation...](#)".



FRONT DOOR

Removing the front door

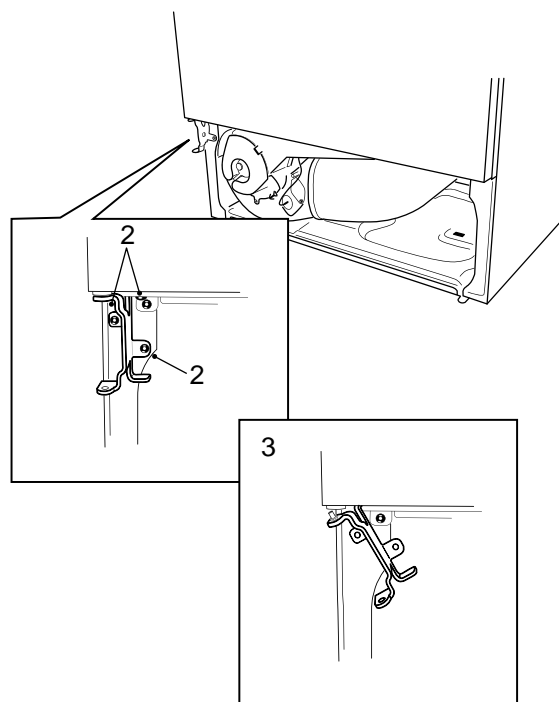
NOTE

The front door must remain closed during the entire removal procedure; the door magnet will hold it in place.

2. Unscrew and remove the 3 screws that secure the hinge fixture.
3. Lift down the front door.

Installing the front door

4. Offer up the front door against the hinge socket in the panel.
5. Close the front door so that the door magnet holds it in place.
6. Put the hinge pin into its socket.
7. Tighten the 3 screws that secure the hinge fixture.
8. Install the bottom cover



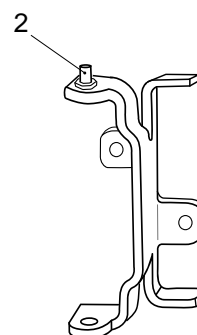
Changing the hinge pin

1. Remove the front door.
2. Unscrew the hinge pin.

NOTE

The illustration shows the lower hinge fixture. The hinge pin is installed in a similar manner in the upper hinge fixture.

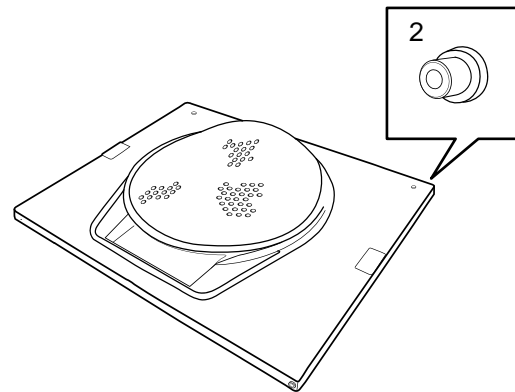
3. Install the hinge pin.
4. Install front door.



SERVICE

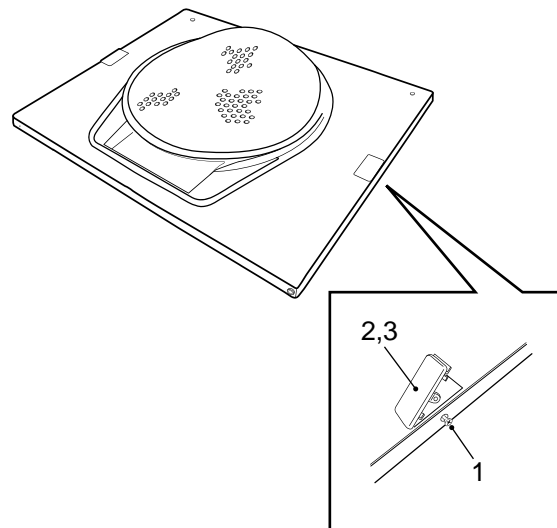
Changing the hinge socket

1. Remove the three screws that secure the lower hinge and twisting it free, take off the front door.
2. Change the hinge socket.
3. Hang the front door back on with the aid of the door magnet and secure the hinge.



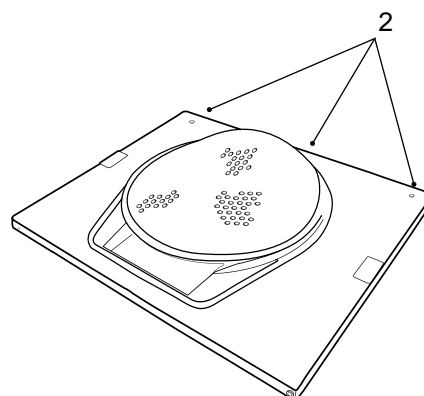
Changing the door magnet/escutcheon plate

1. Half unscrew the screws in the side of the front door.
2. **Door magnet:** Push the door magnet upwards and pull it outwards.
3. **Escutcheon plate:** Press the plate down and pull it outwards.
4. Install a new magnet/escutcheon plate and tighten the screws.



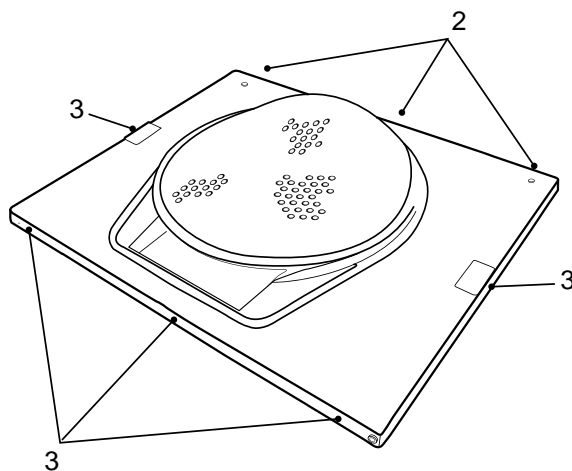
Changing the handle

1. Remove the three screws that secure the lower hinge and twist it free, lift off the front door.
2. Unscrew the 3 screws that secure the handle to the front door.
3. Offer up the new handle.
4. Secure the handle with the 3 screws.
5. Put the front door back on, keep it in position with the aid of the door magnet, and secure the hinge.



Changing the inner door

1. Remove the three screws that secure the lower hinge and twist it free, lift off the front door.
2. Unscrew the handle.
3. Unscrew the 2 screws at the side of the front door and the 3 at the lower edge.
4. Lift out the inner door with the filter holder.
5. Offer up the new inner door to the front door.
6. Secure the 2 screws at the sides of the front door and the 3 at the lower edge.
7. Fit the handle.
8. Put the front door back on, keep it in position with the aid of the door magnet, and secure the hinge.



Changing the outer door seal

1. Open the front door.
2. Pull the seal out of its groove.
3. Fit a new seal.

NOTE

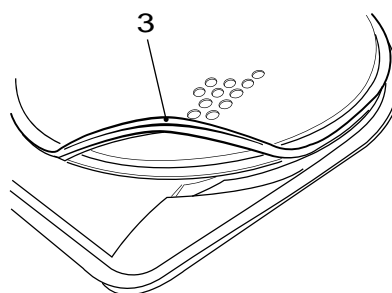
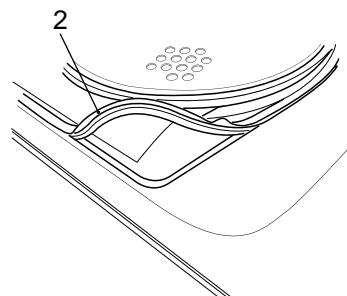
You can use soapy water to make installation easier.

IMPORTANT

Press the seal firmly down into its groove.

Changing the inner door seal

1. Open the front door.
2. Open the filter holder.
3. Peel the strip off the edge.
4. Install a new strip by easing it over all round the edge.



SERVICE

Changing/cleaning the filter holder

1. Open the front door.
2. Pull out the filter holder and take out the double filter.
3. Squeeze the snap fasteners inwards while at the same time lifting the filter holder out of the inner door.

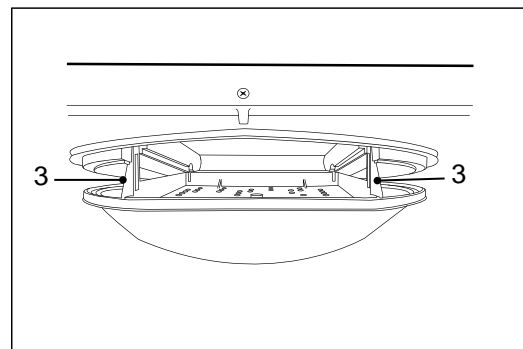
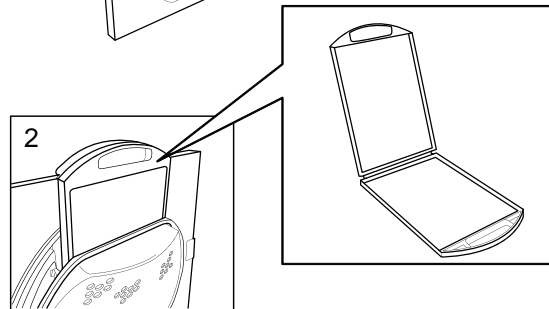
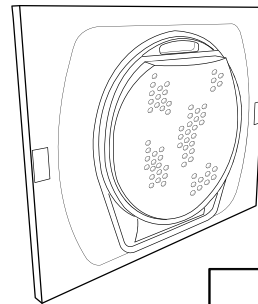
IMPORTANT

Take care when lifting the filter holder out not to damage it.

NOTE

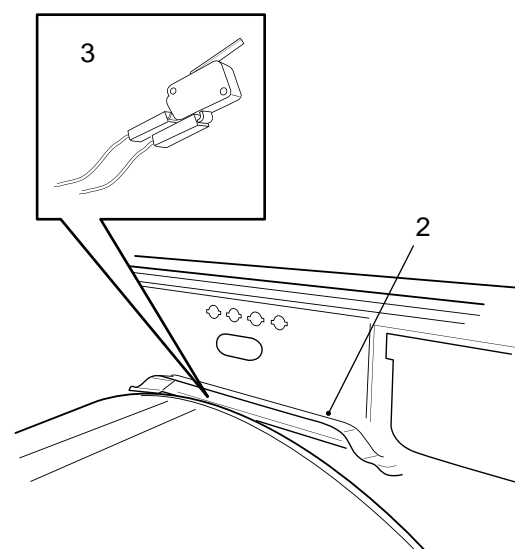
Clean the filter holder if necessary.

4. Install it by first inserting the snap fasteners at the top edge of the inner door.
5. Then push in the lower edge.



Changing the door switch

1. Remove the three screws at the rear edge and lift off the top cover.
2. Bend up the protection.
3. Prise off the door switch with the aid of a screwdriver.
4. Transfer the wiring to the new door switch and connect it up.
5. Bend down the protection.
6. Fit the top cover.

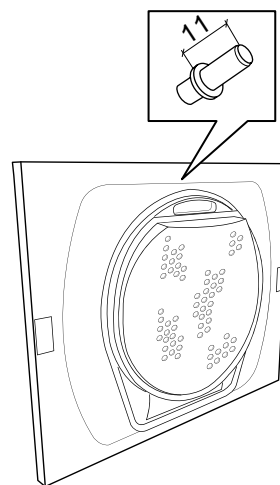


Changing the door switch pin

1. Drill a 4 mm diameter hole where the old pin was.
2. Fit a door switch pin (part no.: 80 642 40) into the hole.

IMPORTANT

Fit the pin so that it projects by 11 mm.



SERVICE

FRONT PANEL

Removing front panel

1. Remove the three screws at the rear edge and lift off the top cover.
2. Remove the three screws that secure the lower hinge and twist it free, lift off the front door.
3. Unscrew the 4 screws that secure the front frame to the front panel.
4. Unscrew the 4 screws that secure front panel to the side panels.
5. Unscrew the 2 screws that secure the bottom edge of the front panel.
6. Lift off the front panel.

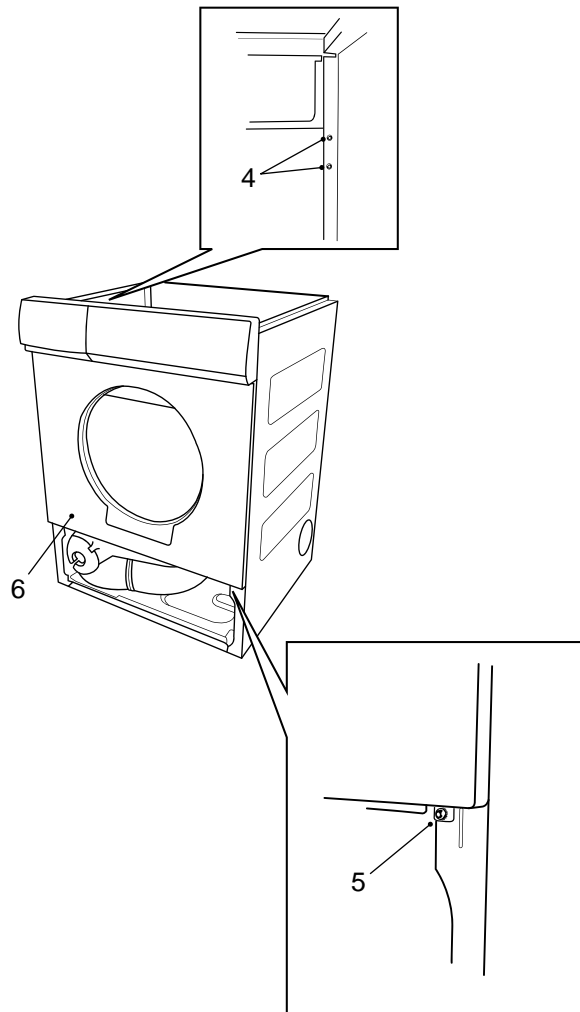
Installing front panel

7. Put the front panel into position.
8. Secure the 4 screws from the inside in the side panels.
9. Put the front door back on, keep it in position with the aid of the door magnet, and secure the hinge.
10. Secure the 2 screws that secure front panel at the bottom edge.

IMPORTANT

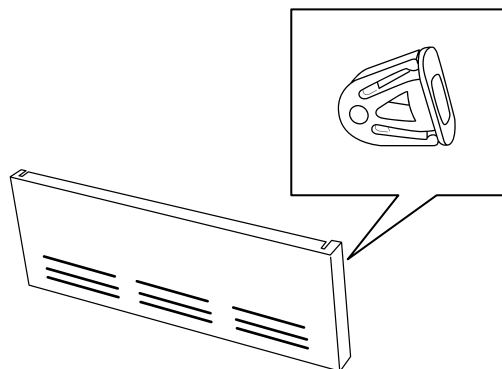
Don't forget the 2 star washers.

11. Secure the 4 screws that secure the front frame to the front panel.
12. Fit the top cover.



Changing the fixing clip for the bottom cover (female)

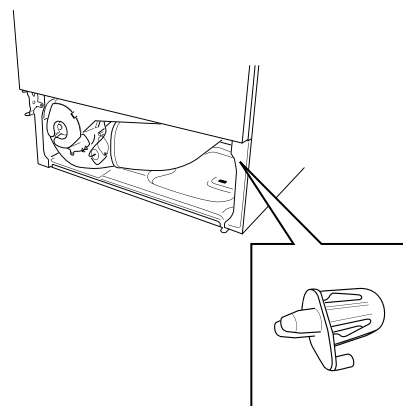
1. Remove the bottom cover.
2. Squeeze the snap fasteners and pull or push out the clip.
3. Install a new clip.
4. Install the bottom cover.



Changing the fixing clip for the bottom cover (male)

TDC33, Left TDC44:

1. Remove the bottom cover.
2. Squeeze the snap fasteners and pull or push out the clip.
3. Install a new clip.
4. Install the bottom cover.



Right TDC44:

1. Remove the bottom cover.
2. Remove the condenser housing in accordance with the section "[Condenser housing - removing...](#)".
3. Squeeze and pull or push out the clip.
4. Install a new clip.
5. Install the condenser housing in accordance with the section "[Condenser housing - installation...](#)".
6. Install the bottom cover.

IMPORTANT!
 Late change:
 The design of the bottom cover has been changed on
 machines manufactured week 46/2000 or later.
 Also see service information Group 22 No.47.

SERVICE

PANEL

Removing the panel

1. Remove the three screws at the rear edge and lift off the top cover.
2. **TDC44:** Pull out the water tank.
3. **TDC44:** Unscrew the 2 screws that secure the panel to the front rail.
4. **TDC33:** Unscrew the 2 screws securing the front rail.
5. Remove the 4 snap fasteners at the bottom edge by bending the clips apart with a screwdriver with a 6.5 to 7 mm wide blade. Unhook the panel.

WARNING

Take care when bending the clips apart not to damage the plastic snap fasteners in the panel.

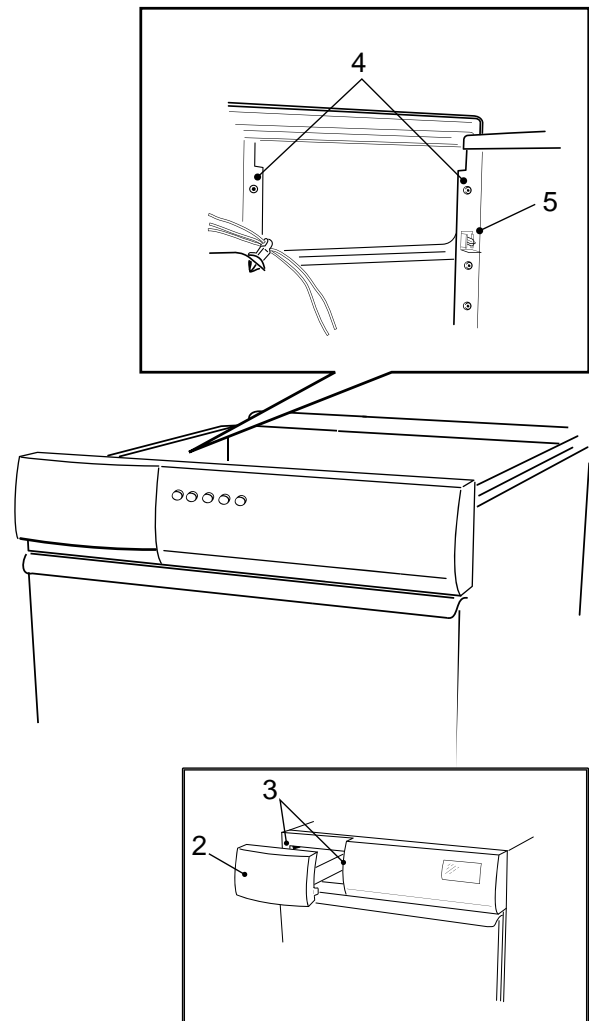
Installing the panel

6. Hook on the top edge of the panel and snap closed the 4 snap fasteners at the bottom edge.

IMPORTANT

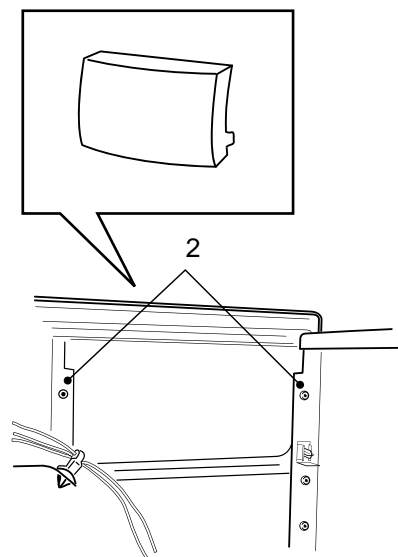
Support the centre with a screwdriver as the panel is pressed into place.

7. Refit the removed parts.



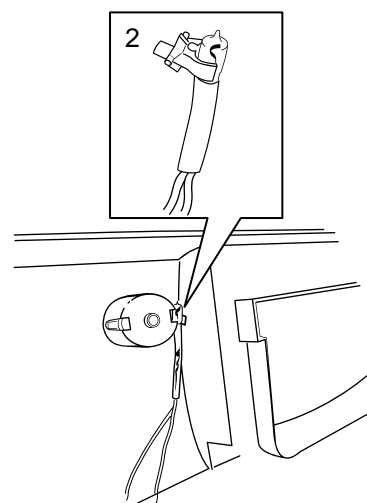
Changing the panel handle

1. Remove the three screws at the rear edge and lift off the top cover.
2. **TDC33:** Unscrew the 2 screws securing the front rail.
3. Pull the handle off.
4. Fit the handle.
5. Fit the top cover.



Changing the indication lamp/symbol lens

1. Remove the panel in accordance with the section "[Panel - removing...](#)".
2. Change the indication lamp/symbol lens.
3. Install the panel in accordance with the section "[Panel - installation...](#)".



SERVICE

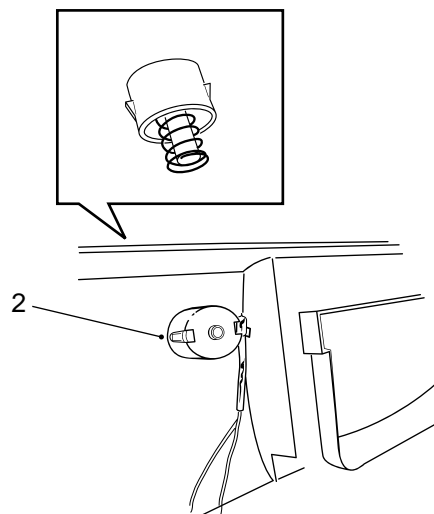
Changing the main power button

1. Remove the panel in accordance with the section "[Panel - removing...](#)".
2. Press in the latches with a screwdriver and pull out the button.
3. Install the new button.

IMPORTANT

Ensure that the spring is located in the button before installation.

4. Install the panel in accordance with the section "[Panel - installation...](#)".



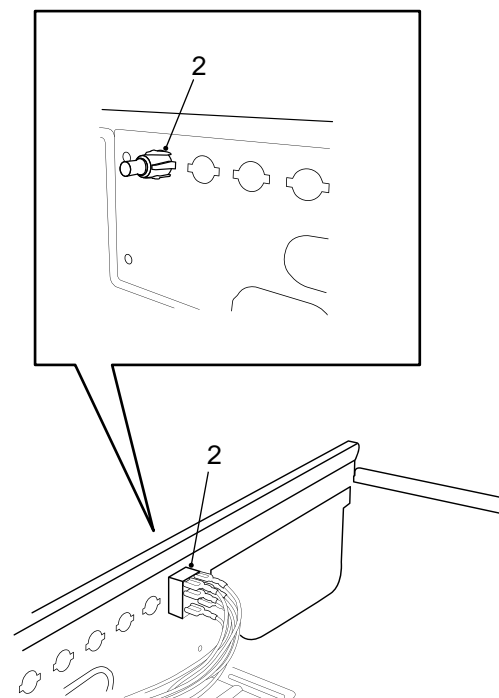
Changing the push-button switches

1. Remove the panel in accordance with the section "Panel - removing...".
2. Get hold of the switch inside the machine and pull on it, while at the same time bending the wings at the front of the switch inwards with a screwdriver.

IMPORTANT

Connect the correct wire to the correct terminal.

3. Press in the new push-button and check that the wings open out.
4. Install the panel in accordance with the section "Panel - installation...".

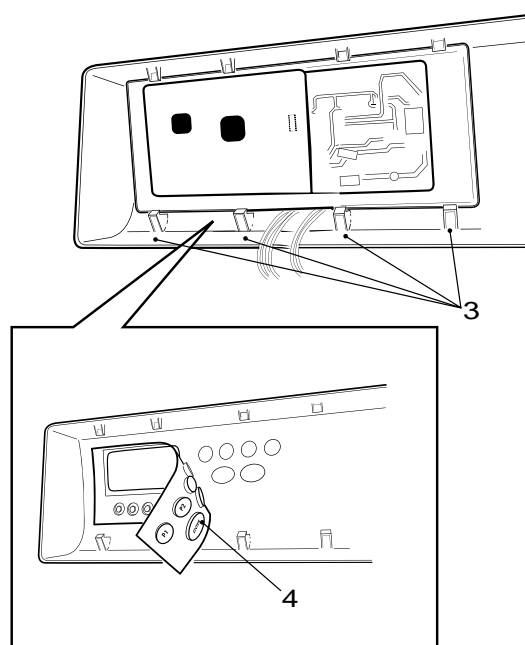


Changing the DCU panel board and the push-buttons

WARNING

An earthed EMC wristband must be worn at all times when working with electronic components to prevent damage to them.

1. Remove the three screws at the rear edge and lift off the top cover.
2. Remove the panel in accordance with the section "Panel - removing...".
3. Remove the panel board from the snap fasteners with the aid of a screwdriver.
4. Lift out the panel board and the button sheet with the push-buttons.
5. Install the push-buttons and the panel board.
6. Install the panel in accordance with the section "Panel - installation...".
7. Fit the top cover.



ELECTRONIC CONTROL UNIT

WARNING

An earthed EMC wristband must be worn at all times when working with electronic components to prevent damage to them.

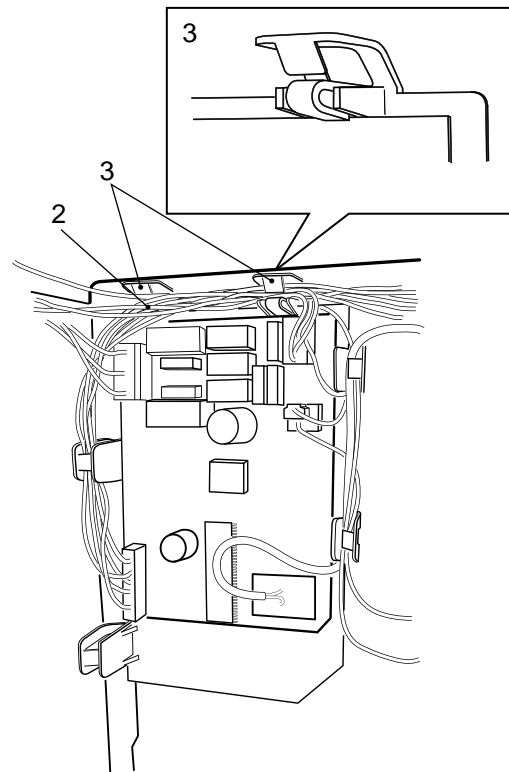
Changing the electronic control unit

1. Remove the three screws at the rear edge and lift off the top cover.
2. Remove the wiring from the integral cable clamps in the electronic control unit holder.
3. Unclip the electronic control unit from its holder.
4. Remove all the wiring from the control unit.

WARNING

Ensure that all wires and connection blocks are connected correctly.

5. Connect all the wiring to the new control unit.
6. Check the jumpers on the new control unit.
For TDC44: J1 should be cut.
J2 should never be cut.
For more information, see Circuit Diagram.
7. Snap the control unit into its holder.
8. Fit the top cover.



Removing the electronic control unit with its holder

1. Remove the three screws at the rear edge and lift off the top cover.
2. Remove the panel in accordance with the section "Panel - removing...".
3. Press in the 2 snap fasteners.
4. Move the assembly sideways and remove it.
5. Remove the wiring.

Installing electronic control unit with its holder

6. Install the wiring in accordance with its labels.
7. Offer up the holder to the front rail.

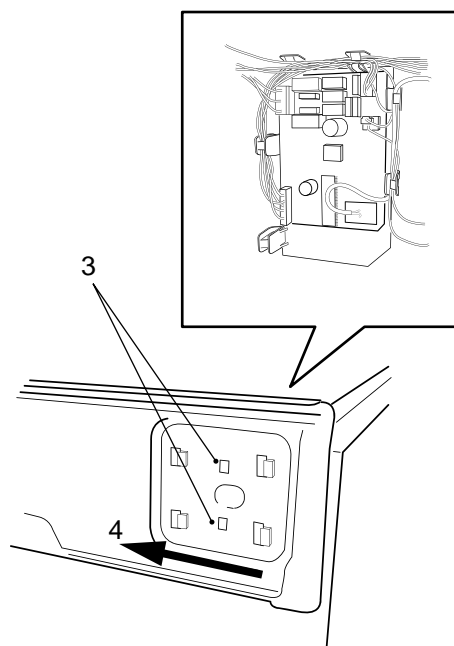
IMPORTANT

Fit the 4 hooks into the square holes in the front rail.

8. Move the holder sideways so it snaps into place.
9. Install the panel in accordance with the section "Panel - installation...".
10. Fit the top cover.

IMPORTANT

If the latches are broken the holder can be fastened with screws.



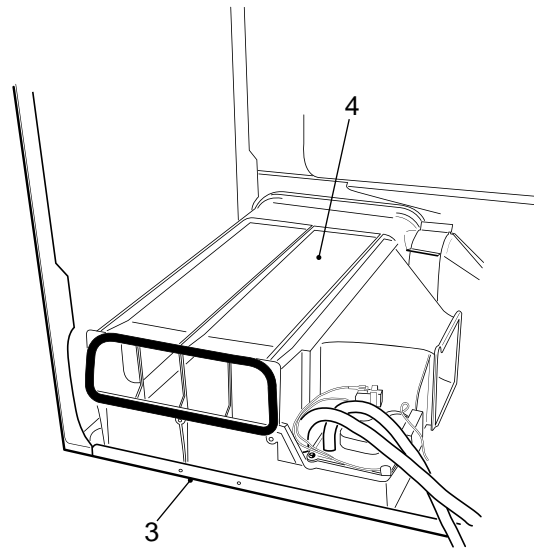
CONDENSER HOUSING (TDC44)

Removing the condenser housing

1. Remove the drum in accordance with the section "[Drum - removing...](#)".
2. Remove the external fan housing in accordance with the section "[External fan housing - removing...](#)".
3. Remove the snap fasteners with the aid of a screwdriver.
4. Lift out the condenser assembly.

Installing the condenser housing

5. Position the condenser housing on the bottom.



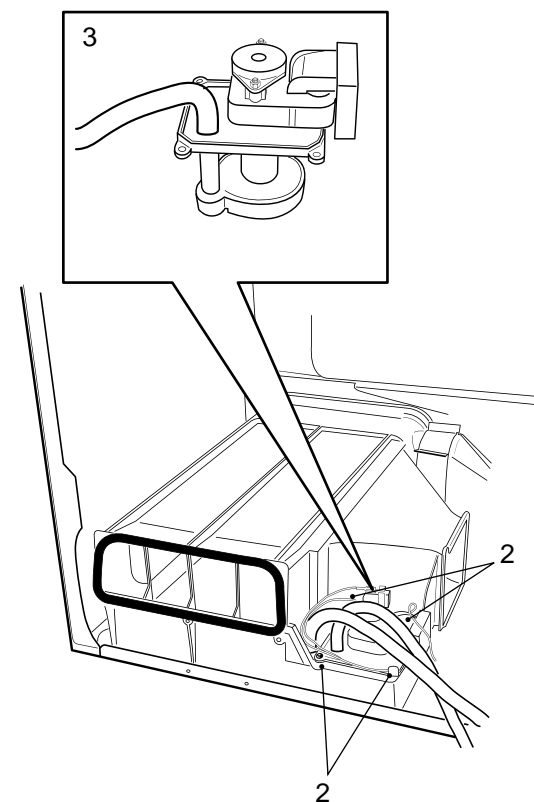
IMPORTANT

Ensure that the condenser housing is secured to the bottom.

6. Install the external fan housing in accordance with the section "[External fan housing - installation...](#)".
7. Install the drum in accordance with the section "[Drum - installation...](#)".

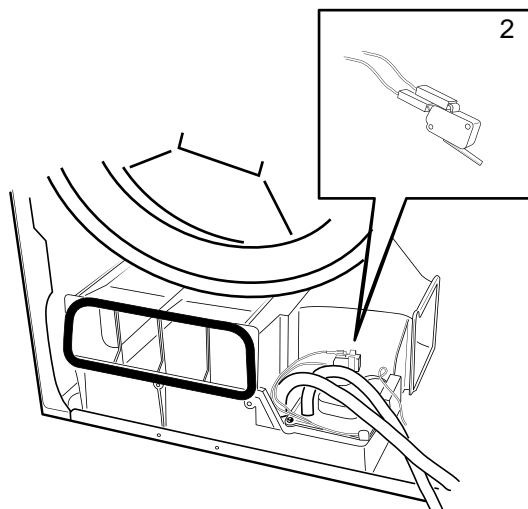
Changing the condensed water pump

1. Remove the rear panel in accordance with the section "[Rear panel - removing...](#)".
2. Remove the 4 screws that secure the pump.
3. Lift out the pump.
4. Secure the new pump with the 4 screws.
5. Install the rear panel in accordance with the section "[Rear panel - installation...](#)".



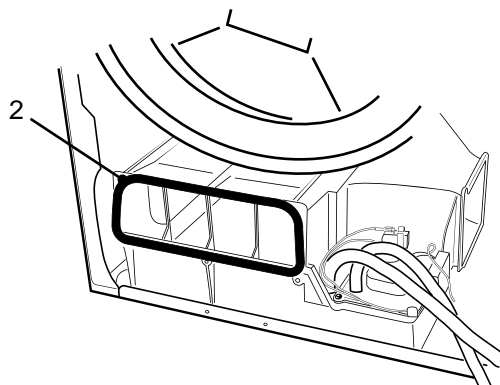
Changing the microswitch for the condensed water pump

1. Remove the rear panel in accordance with the section "[Rear panel - removing...](#)".
2. Remove the wiring and the microswitch.
3. Fit the new microswitch.
4. Install the rear panel in accordance with the section "[Rear panel - installation...](#)".



Changing the foam rubber seal

1. Remove the rear panel in accordance with the section "[Rear panel - removing...](#)".
2. Change the seal.
3. Install the rear panel in accordance with the section "[Rear panel - installation...](#)".



SERVICE

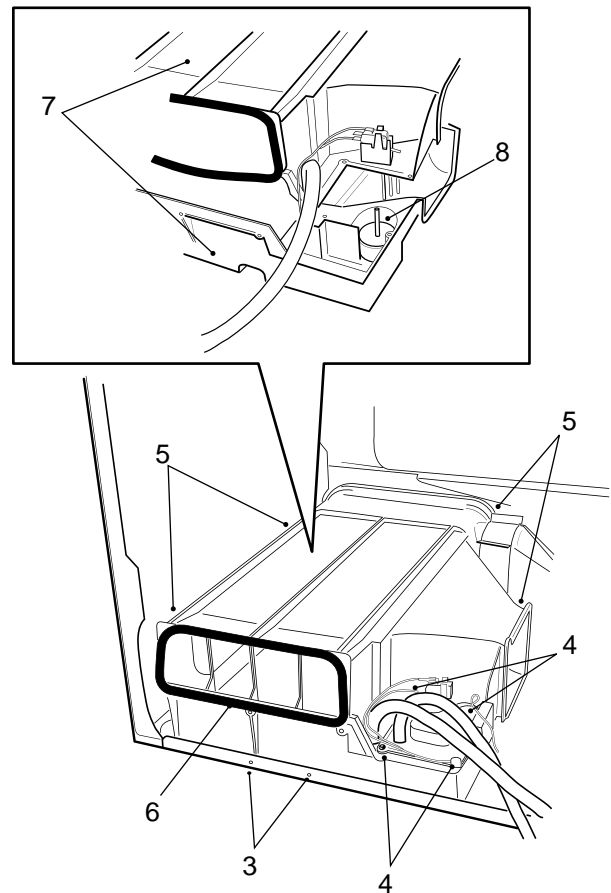
Changing the float

1. Remove the drum in accordance with the section "[Drum - removing...](#)".
2. Remove the external fan housing in accordance with the section "[External fan housing - removing...](#)".
3. Remove the snap fasteners with the aid of a screwdriver and lift out the condenser assembly.
4. Remove the 4 screws that secure the condensed water pump.
5. Remove the 7 screws from around the edge.
6. Remove the foam rubber seal.
7. Take apart the two halves of the housing.
8. Change the float.
9. Screw the housing halves together.

NOTE

We recommend changing the foam rubber seal every time the housing is dismantled.

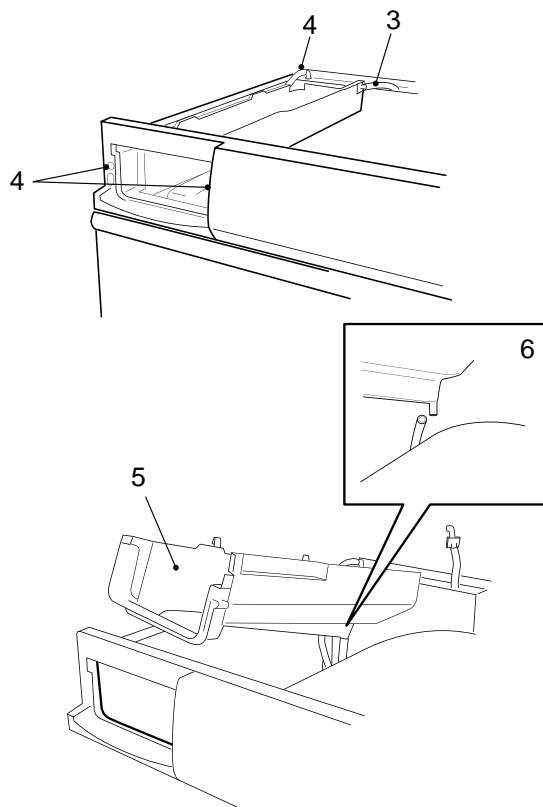
10. Install the external fan housing in accordance with the section "[External fan housing - installation...](#)".
11. Install the drum in accordance with the section "[Drum - installation...](#)".



WATER TANK HOUSING (TDC44)

Removing water tank housing

1. Pull out the water tank.
2. Remove the three screws at the rear edge and lift off the top cover.
3. Remove the hoses.
4. Unscrew the 2 screws in the panel and the screws in the rear panel.
5. Push the housing back and lift it out.

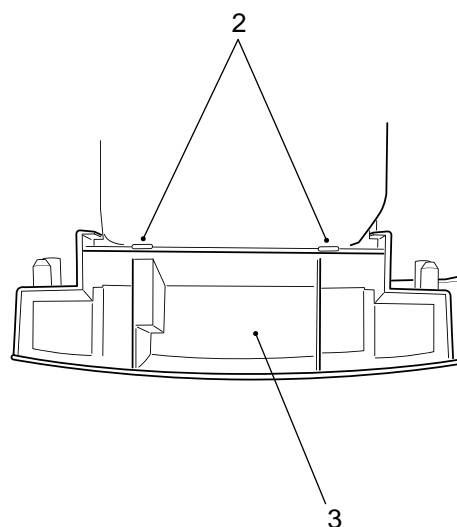


Installing water tank housing

6. Offer up the housing to its correct position.
7. Secure it to the panel and the rear panel.
8. Refit the hoses.
9. Fit the top cover.
10. Insert the water tank.

Changing the water tank handle

1. Pull out the water tank.
2. Remove the two plastic clips on the underside of the tank with the aid of a screwdriver.
3. Pull the handle off the tank.
4. Install the new handle by threading it through the groove in the container. Press it to snap it into place.
5. Refit the water tank.



SIDE PANELS

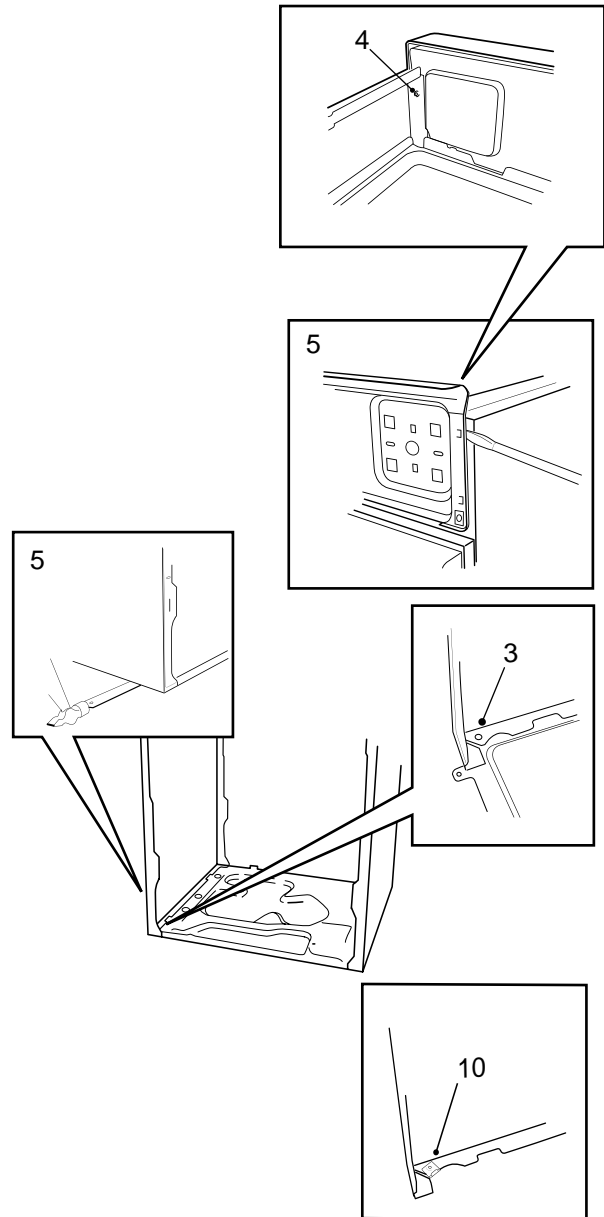
Changing the side panels

1. Remove the front panel in accordance with the section "[Front panel - removing...](#)".
2. Remove the panel in accordance with the section "[Panel - removing...](#)".
3. **Early models:** the hole is marked out on the bottom.
4. **Early models:** the hole is marked out on the front rail.
5. Using a narrow chisel, cut off the rivet heads (7) and break those on the front rail off with a screwdriver (2).
6. Lift away the side panel.
7. File or grind smooth the places where the rivets were in the bottom and use a polygrip to flatten the front rail.

WARNING

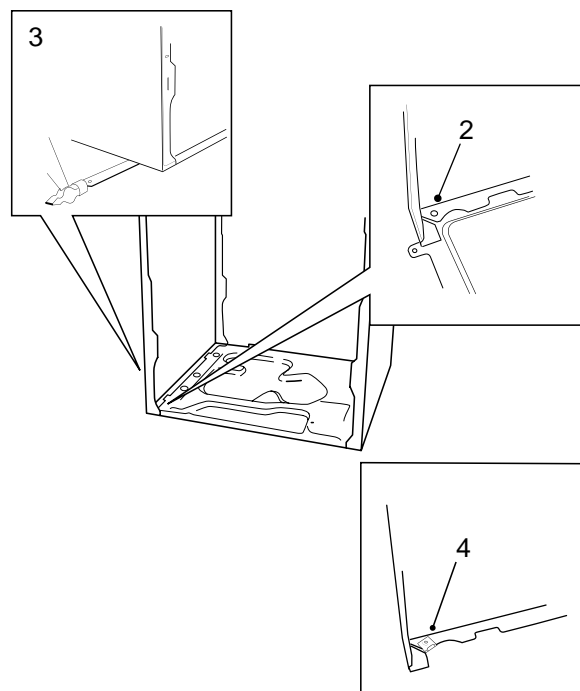
The edges of the bottom and the front rail where the rivets were placed must be completely flat and smooth.

8. **Early models:** Drill a 6.5 mm diameter hole in the bottom at the marking.
9. **Early models:** Drill a 5 mm diameter hole in the front rail at the marking.
10. Install 3 clips at the bottom of the side panels.
11. Screw the side plates to the bottom from underneath and to the front rail.
12. Install the front panel in accordance with the section "[Front panel - installation...](#)".
13. Install the panel in accordance with the section "[Panel - installation...](#)".

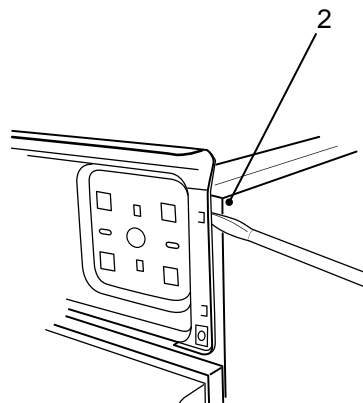


BOTTOM**Changing the bottom**

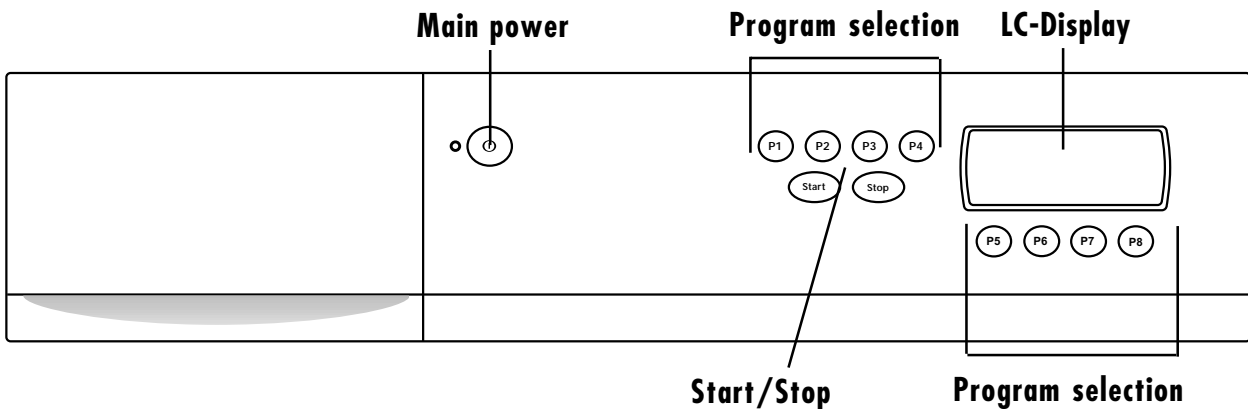
1. Remove the condenser housing in accordance with the section "[Condenser housing - removing...](#)"
2. **Early models:** the hole is marked out on the bottom.
3. Cut off the rivets between the bottom and side panels.
4. Install 6 clips along the bottom edge of the side panels.
5. **Early models:** Drill a 6.5 mm diameter hole in the bottom at the marking.
6. Screw the side plates to the bottom from underneath.
7. Install the condenser housing in accordance with the section "[Condenser housing - installation...](#)".

**FRONT RAIL****Changing the front rail**

1. Remove the panel in accordance with the section "[Panel - removing...](#)".
2. **Early models:** the hole is marked out on the front rail.
3. Remove the rivets with a screwdriver and flatten with a polygrip.
4. **Early models:** Drill a 5 mm diameter hole in the front rail at the marking.
5. Secure the new front rail.
6. Install the panel in accordance with the section "[Panel - installation...](#)".



PROGRAMS AND OPTIONS



PROGRAMS

P1 Extra dry

This program is for fabrics that are particularly difficult to dry, such as jeans with very thick seams.

IMPORTANT

Tricot fabrics are, more than any others, liable to shrink. Use the Dry, Normal dry or Iron dry programs for this material. Stretch out the garments immediately after drying.

P2 Dry, P3 Normal dry

These programs switch off the heating when the laundry is dry, but not "snuff dry".

The dry program switches off the heating later than Normal dry. Experiment with these to find what suits you best. Use these programs to get your laundry completely dry.

P4 Iron dry

This program switches off the heating when the laundry is still damp enough for ironing or mangling.

P5 Extra dry, P6 Dry, P7 Normal dry and P8 Iron dry

These programs correspond to program 1-4, but they have low temperature instead of high. These programs could be used for acrylic, rayon, acetate and delicate fabrics.

DRYING TIME

The Drying time depends on many different factors, such as the amount of laundry, the degree of dampness in the fabric, the type of fabric, the heating power, the temperature of the incoming air and its humidity. Naturally the Drying time is also influenced by how dry you want the laundry to be.

LANGUAGE

You can change the language of the displayed text.

The languages you can choose from are Dansk, Deutsch, English, Espanol, Français, Italiano, Nederlands, Norsk, Português, Suomi and Svenska.

Earlier models had two versions of the machine (Alternatives 1 and 2) but now all eleven languages are present in all machines.

Alternative 1: The languages you can choose from are Danish, Finnish, French, Dutch, Norwegian and Swedish.

Alternative 2: The languages you can choose from are English, French, Italian, Portuguese, Spanish and German.

To change language do as follows:

Switch off the power switch, (⓪), then switch it on again so that the machine is in start-up mode.

Press the (P8) button five times, then press the (P1) button five times. You have to complete these ten button presses within fifteen seconds.

Within three seconds of pressing the (P1) button for the fifth time you should then select the language you want by pressing the (P6) or (P7) buttons.

LOCKING A PROGRAMME

If for some reason you want to limit the number of programmes that can be used you can lock one or more programmes.

No characters or digits are shown on the display when a locked programme is selected.

To lock or unlock a programme, do as follows:

Switch off the power switch, (⓪), then switch it on again so that the machine is in start-up mode.

Press the (P8)-button five times, then press the (P7)-button five times. You have to complete these ten button presses within fifteen seconds.

Within three seconds of pressing the (P7)-button for the fifth time you should hold in the programme button for the programme you want to lock for 5-10 seconds until the information in the display starts flashing.

Then you can lock the programme by releasing the programme button and pressing the (Start) button once.

Do the same to unlock the programme.

CHILD LOCK ON (Start) BUTTON

To prevent accidental button pushes on the (Start) button you can activate the child lock function. The (Start) button then must be held in for three seconds to activate the machine.

To switch the child lock on or off, do as follows:

Switch off the power switch, (⓪), then switch it on again so that the machine is in start-up mode.

Press the (P8) button five times, then press the (P3) button five times. You have to complete these ten button presses within fifteen seconds.

Within three seconds of pressing the (P3) button for the last time you must then press the (P6) or (P7) button to choose whether you want the child lock on or off.




Press (P7) to activate the child lock.

Press (P6) to disable the child lock.

To start a program with locked (Start) button.

Press the (Start) button for three seconds and the machine will start.

PROGRAM	TYPE	TEMP NORMAL/LOW	DRYING PHASE	COOLING
P1	Extra dry	normal	Like the drying phase on program P2 and another 10 min.	approx. 20 min
P2	Dry	normal	The length of the drying phase is calculated from measurements during the heating phase.	approx. 20 min
P3	Normal dry	normal	Like the drying phase on program P2, but is interrupted earlier.	approx. 20 min
P4	Iron dry	normal	Like the drying phase on program P3, but is interrupted earlier.	approx. 20 min
P5	Extra dry	low	Like P1	approx. 20 min
P6	Dry	low	Like P2	approx. 20 min
P7	Normal dry	low	Like P3	approx. 20 min
P8	Iron dry	low	Like P4	approx. 20 min

1. Sort the laundry.
2. Set the main power switch to on, .
3. Check the fluff filter.
4. Put the laundry into the tumble drier.
5. Close the door.
6. Select program.
7. Press the  button.
8. When the program is finished:
 - Clean the fluff filter.
 - For TDC44: Empty the condense water tank.
9. When you have finished tumble drying.
 - Set the main power switch to off, .

	FABRICS		
	<i>Cotton, Linen etc.</i>	<i>Polyester / Cotton</i>	<i>Acrylic, rayon, acetat (Delicate material)</i>
Max. load(kg)	5,0	2,5	2,5
Program	1 - 4 Extra dry, Dry, Normal dry or Iron dry	2 el. 3 Dry or Normal dry	5 - 8
Temperature	Normal	Normal	Low

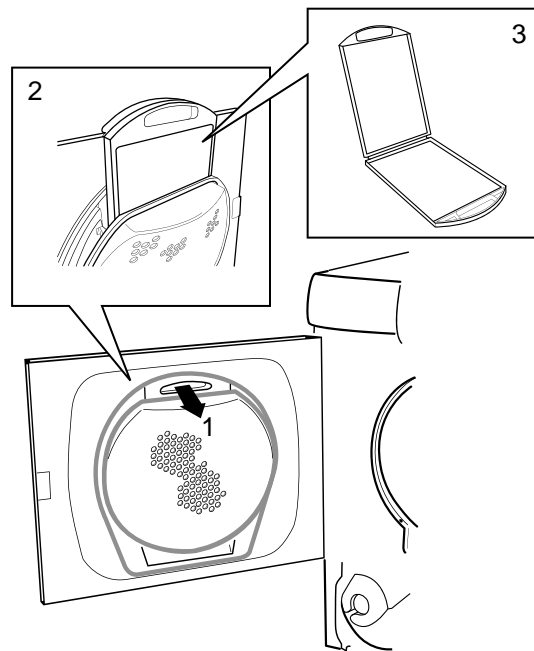
CLEANING AND MAINTENANCE

CLEANING the fluff filter

The fluff filter should be cleaned after every tumble-drying session.

If you have very hard water the fluff filter may collect a layer of scale. Check when you are cleaning fluff out of the filter if scale is present, and if so, wash the scale off by hand.

1. Take hold of the filter handle and pull it towards you.
2. Lift the filter out of its holder.
3. Open the filter and pick off the fluff with your hand. Then rinse the filter to remove any scale.
4. Fold the filter and put it back into the holder.



EMPTYING THE CONDENSED WATER TANK (TDC44)

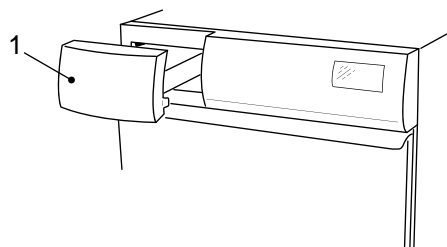
The condensed water tank should be emptied after every tumble-drying session (this does not apply if the condensed water hose is connected directly to the drain).

1. Pull out the condensed water tank, empty out the water and put the tank back.

If the condensed water tank becomes overfull, the program is interrupted and the error message **Overfull** appears on the display. Empty the tank and press the **Start** -button to resume the program from where it was interrupted, see also "[Fault tracing](#)".

IMPORTANT

Don't pull out the condensed water tank while the tumble drier is running.



CLEANING THE OUTSIDE OF THE MACHINE

Clean the outside and the program panel with a mild detergent.

NOTE

Don't use any kind of solvent, this can damage the machine. Don't drench the machine in water, either.

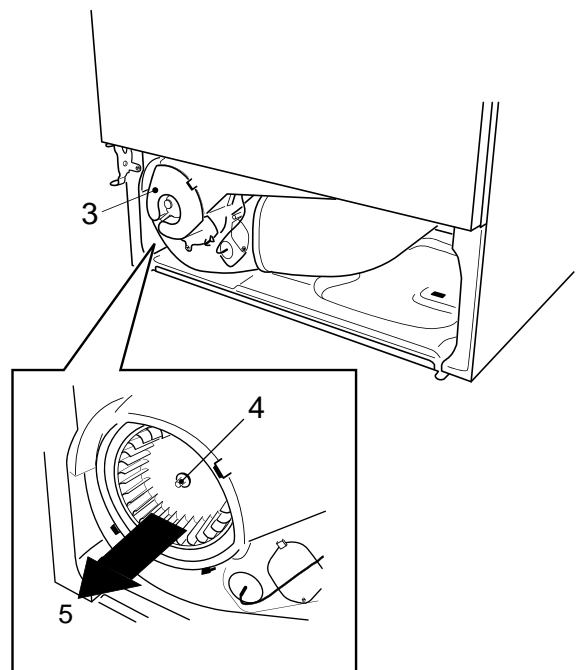
IMPORTANT

Don't let dust collect around the machine. Keep the area around the tumble drier clean and dry: the presence of dust, heat and damp all prolong the drying time.

CLEANING THE FAN

Check once or twice a year to see if the fan wheel needs cleaning.

1. Set the main power switch to off.
2. Remove the bottom cover.
3. Unscrew and unclip the fan cover.
4. Hold the fan wheel and unscrew the nut (8 mm ring spanner).
5. Take out the fan wheel and clean it with a brush and water.
6. Refit the fan wheel and fan cover.
7. Put the bottom cover back.



CLEANING AND MAINTENANCE

CLEANING THE CONDENSER (TDC44)

The condenser should be cleaned at least six times a year.

NOTE

If you have pets at home the condenser should be cleaned more often.

1. Set the main power switch to off.
2. Remove the bottom cover.
3. Open the condenser cover by turning the two knobs counterclockwise.
4. Take out the condenser and wash the plates clean with the aid of a hand shower, for example.

WARNING

Don't poke in between the plates, this can damage the condenser. Never use sharp metal objects for cleaning.

IMPORTANT

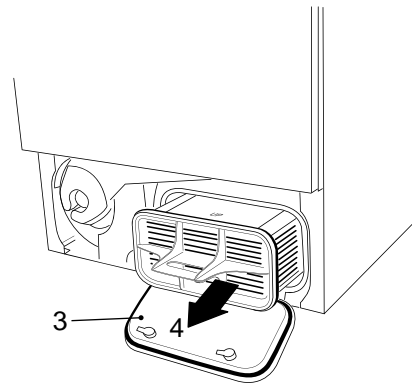
The condenser must not be cleaned in a dishwasher.

5. Put the condenser back.

IMPORTANT

When refitting, make sure it is put back correctly. The top of the condenser is marked "upp", "up", and "oben".

6. Refit the bottom cover.



Adjusting the feet	11	Handle	54
Air extraction	12,48	Heating element	37
		Hinge pin	53
Bearing	36	Hinge socket	54
Bottom	71	Humidity sensor	49
Capacitor	47	Indication lamp/symbol lens	61
Child lock settings	73	Inner door seal	55
Condensed water pump	66	Inner door	55
Condensation water	11	Input terminal block	39
Condensed water tank	76		
Condenser	78	Language settings	73
Condenser housing	66	Locking program settings	73
Consumption values	27		
Contactora	41	Main power button	62
Counter	26	Microswitch for the condensed water pump	67
		Motor	46
Door magnet/escutcheon plate	54		
Door switch pin	57	Outer door seal	55
Door switch	56	Overheating protection device	38
Doorhanging	15		
Drive belt	43	Panel board	63
Drum ridge	44	Panel handle	61
Drum	43	Panel	60
		Push-button switches	63
Electrical installation	14	Push-buttons	63
Electronic control unit	65		
Exhaust air duct hook	48	Radio interference filter	40
Exhaust air duct T-piece	48	Rear felt strip seal	37
		Rear panel	34
Fan housing	45	Reasons for faults	26
Fan wheel	45		
Fan	77	Settings	73
Fault indications	26	Side panels	70
Filter holder	56	Special tools	32
Fixing clip	59	Support roller	52
Float	68		
Fluff filter	76	Test program	26
Foam rubber seal	36,68	Thermistor	50
Front door	53	Tools	29
Front felt seal	52	Top cover	33
Front frame	51		
Front panel	58	Water tank housing	69
Front rail	71		
Fuse	42		
Fuse holder/insert	42		

DRYING GUIDE

TDC33

FABRICS

Dry fabrics of the same type together to ensure uniform drying.

FABRIC	WEIGHT	TEMPERATURE
Whites, coloureds and synthetics	Cotton and linen ● (5.0 kg)	Normal
	Polyester / cotton ◐ (2.5 kg)	Normal
Delicates	Acrylic, rayon, acetate, etc. ◑ (2.5 kg)	Low

☐ Symbol means that fabric can be tumble dried.

☒ Symbol means that fabric cannot be tumble dried.

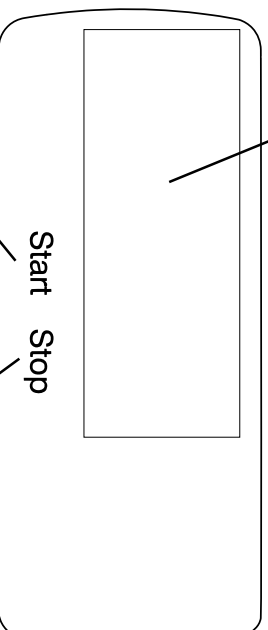
Do not tumble dry...

- fabric labelled "Do not expose to dry heat".
- garments that have been dry-cleaned at home.
- foam plastic.
- fabric containing glass fibre.
- woollens.

WHAT THE DISPLAY SHOWS

Program information

When you press P1 to P8 this field shows which program is selected. While the program is running it shows how far the cycle has progressed.



Start
The program has started.

Stop
The program is complete or has been interrupted.

SELECT PROGRAM

Press one of the program buttons **P1** to **P8**.

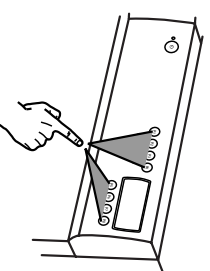
3

- P1 - Extra dry, normal temperature
- P2 - Dry, normal temperature
- P3 - Normal dry, normal temperature
- P4 - Iron dry, normal temperature
- P5 - Extra dry, low temperature
- P6 - Dry, low temperature
- P7 - Normal dry, low temperature
- P8 - Iron dry, low temperature

Press the Start button to start the drying program.

You can use the Stop button to interrupt a program. Hold it pressed in for 3 seconds.

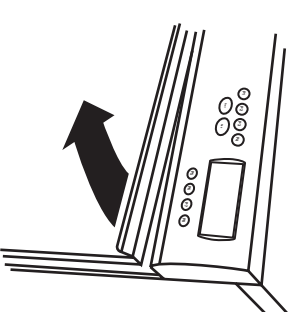
The word **Start** will appear on the display to show that the drying program has begun.



ERROR MESSAGES

If an error message appears on the display after completed or interrupted program, proceed as follows:

- Write down the error message that is displayed.
- Turn off the power switch.
- Open the door and take out the laundry.
- Contact service.



SAFETY PRECAUTIONS



This machine is not intended for drying dry-cleaned fabrics. Children must not use this machine. Do not spray the machine with water when cleaning.

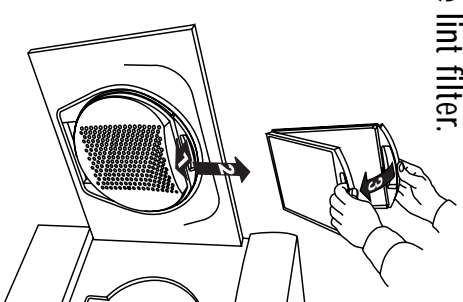
WHEN PROGRAM IS COMPLETE

An audible signal will indicate when the drying program has finished. The word **Stop** will appear on the display. The display is switched off three minutes after the end of program.

Open the door. Take out the laundry and check that the drum is empty.

Close the door.

Turn off the power switch.



Clean the lint filter.

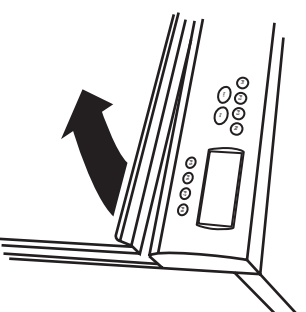
LOAD DRYER

Press the power switch. The display will light up.



NOTE! If you do not press a button within 3 minutes the display will be switched off. It will light up again when you press a button.

Open the door.



Check the lint filter. If it needs cleaning then proceed as described on the right.

Put the laundry in the drum and close the door.

DRYING GUIDE

TDC44

FABRICS

Dry fabrics of the same type together to ensure uniform drying.

FABRIC	WEIGHT	TEMPERATURE
Whites, coloureds and synthetics	Cotton and linen ● (5.0 kg)	Normal
	Polyester / cotton ● (2.5 kg)	Normal
Delicates	Acrylic, rayon, acetate, etc. ○ (2.5 kg)	Low

○ Symbol means that fabric can be tumble dried.

⊗ Symbol means that fabric cannot be tumble dried.

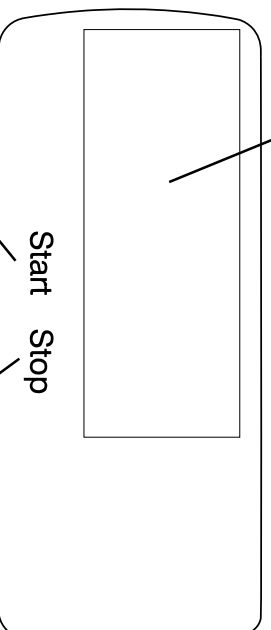
Do not tumble dry...

- fabric labelled "Do not expose to dry heat".
- garments that have been dry-cleaned at home.
- foam plastic.
- fabric containing glass fibre.
- woollens.

WHAT THE DISPLAY SHOWS

Program information

When you press P1 to P8 this field shows which program is selected. While the program is running it shows how far the cycle has progressed.



Start

The program has started.

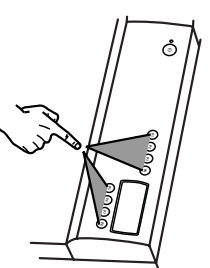
Stop

The program is complete or has been interrupted.

SELECT PROGRAM

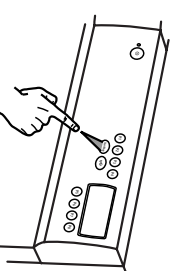
Press one of the program buttons P1 to P8.

3



- P1 - Extra dry, normal temperature
- P2 - Dry, normal temperature
- P3 - Normal dry, normal temperature
- P4 - Iron dry, normal temperature
- P5 - Extra dry, low temperature
- P6 - Dry, low temperature
- P7 - Normal dry, low temperature
- P8 - Iron dry, low temperature

Press the Start button to start the drying program.



You can use the Stop button to interrupt a program. Hold it pressed in for 3 seconds.

The word **Start** will appear on the display to show that the drying program has begun.

ERROR MESSAGES

If an error message appears on the display after completed or interrupted program, proceed as follows:

Error message "Over flow": Empty the condensation tank (check the drain hose if it is used), press the Startbutton and the program will continue from where it was interrupted.

In other cases:

- Write down the error message that is displayed.
- Turn off the power switch.
- Open the door and take out the laundry.
- Contact service.

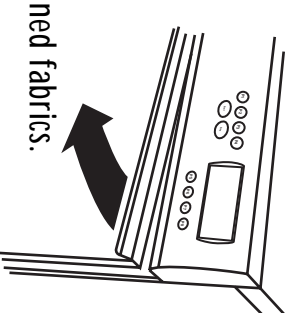
SAFETY PRECAUTIONS



This machine is not intended for drying dry-cleaned fabrics.

Children must not use this machine.

Do not spray the machine with water when cleaning.



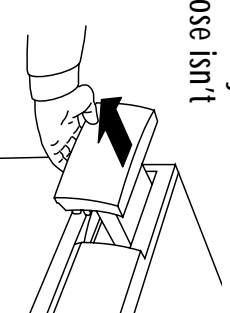
WHEN PROGRAM IS COMPLETE

An audible signal will indicate when the drying program has finished. The word **Stop** will appear on the display. The display is switched off three minutes after the end of program.

Empty the condensation water tank (only applies to condenser tumble dryer, when drain hose isn't used).

Open the door. Take out the laundry and check that the drum is empty.

Clean the lint filter.



Close the door.

Turn off the power switch.



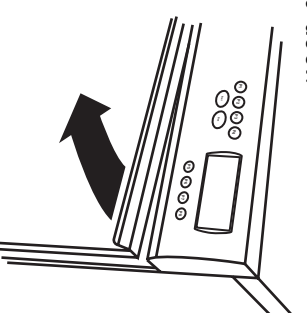
LOAD DRYER

Press the power switch. The display will light up.



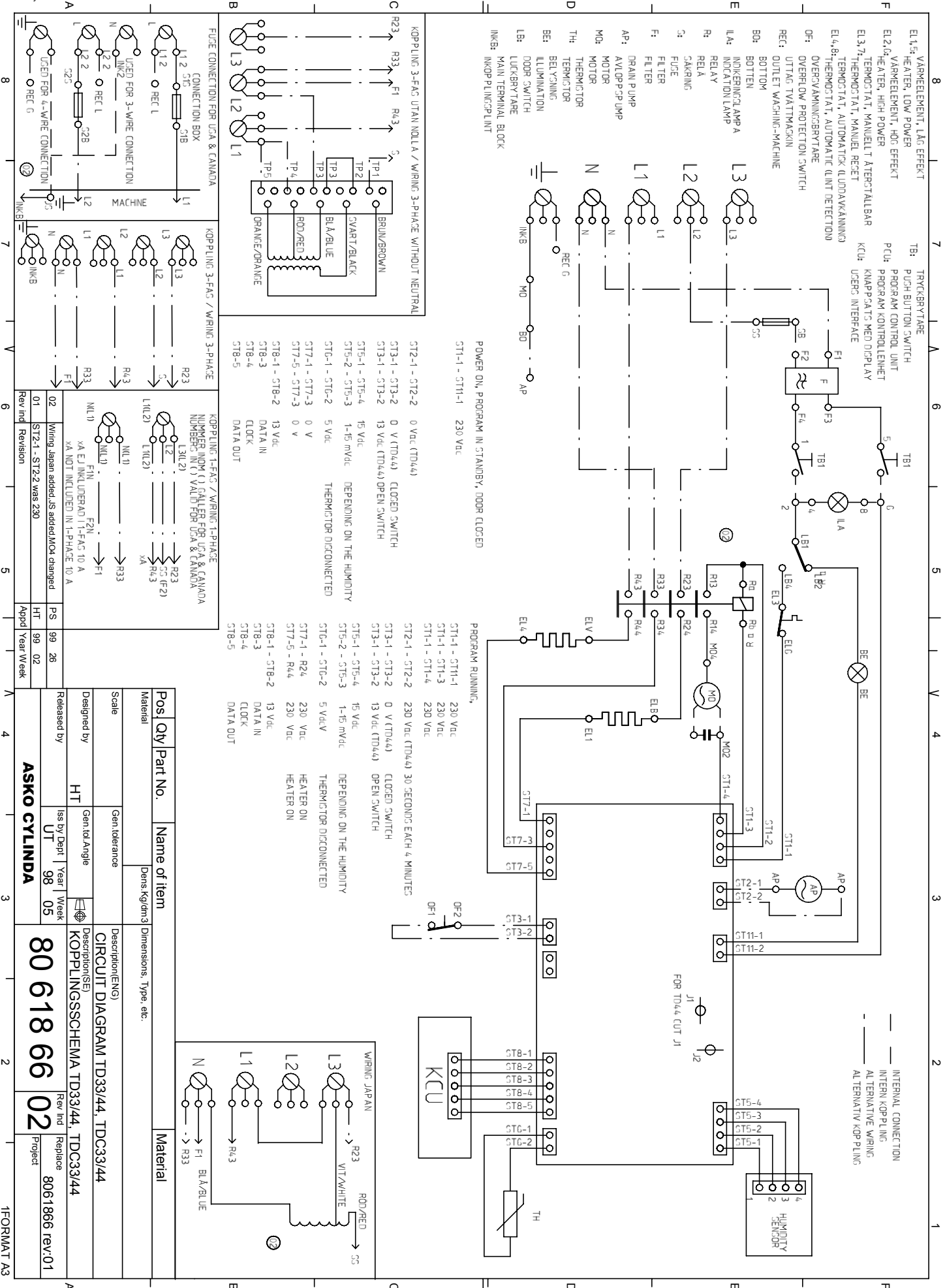
NOTE! If you do not press a button within 3 minutes the display will be switched off. It will light up again when you press a button.

Open the door.



Check the lint filter. If it needs cleaning then proceed as described on the right.

Put the laundry in the drum and close the door.



Code	Value	Description
5T1-1 - 5T1-1	230 Vdc	POWER ON, PROGRAM IN STANDBY, DOOR CLOSED
5T1-1 - 5T1-1	230 Vdc	PROGRAM RUNNING
5T2-1 - 5T2-2	0 Vdc (TD44)	
5T3-1 - 5T3-2	0 V (TD44)	CLOSED SWITCH
5T3-1 - 5T3-2	13 Vdc (TD44)	OPEN SWITCH
5T5-1 - 5T5-4	15 Vdc	
5T5-2 - 5T5-3	1-15 mVdc	DEPENDING ON THE HUMIDITY
5T6-1 - 5T6-2	5 Vdc	THERMISTOR DISCONNECTED
5T7-1 - 5T7-3	0 V	
5T7-5 - 5T7-3	0 V	
5T8-1 - 5T8-2	13 Vdc	HEATER ON
5T8-3	13 Vdc	HEATER ON
5T8-4	13 Vdc	HEATER ON
5T8-5	13 Vdc	HEATER ON
5T8-1 - 5T8-2	13 Vdc	DATA IN
5T8-3	13 Vdc	DATA IN
5T8-4	13 Vdc	DATA IN
5T8-5	13 Vdc	DATA IN

Pos	Qty	Part No.	Name of item	Material
				Dens: Kg/dm ³
				Dimensions: Type, etc.
				Description(ENG)
				CIRCUIT DIAGRAM TD33/44, TDC33/44
				Description(SE)
				KOPPLINGSSCHEMA TD33/44, TDC33/44
				Scale
				Gen tolerance
				Gen tol Angle
				Released by
				Iss by Dept
				Year
				Week
				Appd
				Year Week

80 618 66 02

Rev Ind Replace 8061866 rev:01
Project

