

Contents

❑ What is a Dryer?.....	2
❑ Dryer Specification.....	4
❑ Operating Mechanism Diagram (Gas Type).....	5
❑ Operating Mechanism Diagram (Electric Type).....	6
❑ Mechanism by Ass'y (Electric Type).....	7
❑ Mechanism by Ass'y (Gas Type).....	8
❑ Parts List by Ass'y.....	9
❑ PCB Function Specification.....	23
❑ Drum Dryer Troubleshooter.....	37
❑ Dryer Installation.....	40
❑ Electrical Requirements For Electric Dryers.....	41
❑ Dryer Service Notices.....	47
❑ Electric Parts List - Electric Clothes Dryer.....	48
❑ Electric Parts List - Gas Clothes Dryer.....	49
Thermostat Fan.....	50
Thermostat Cut-Out.....	51
Thermostat Hi-Limit.....	52
Lamp Assembly.....	53
Switch Door.....	54
Heater Assembly.....	55
Belt Switch (Switch Micro).....	56
Thermistor Fan.....	57
Motor Dryer.....	58
Igniter As.....	60
Flame Senso.....	61
Thermostat Hi-Limit.....	62
Thermostat Cut-Out.....	63
Valve Gas As.....	64
❑ Dismantling Method Per Dryer Ass'y	
PANEL FRONT ASS'Y / PLATE TOP ASS'Y.....	65
CABINET FRONT ASS'Y.....	66
FRAME UPPER / SEPARATION OF LAMP,PCB MAIN CONNECTOR.....	67
PCB MAIN / DUCT OUTLET ASS'Y.....	68
SUPPORT DRUM FRONT ASS'Y / DRUM ASS'Y / PIPE EXHAUST.....	69
COVER BACK / SUPPORT DRUM REAR ASS'Y.....	70
MOTOR CONNECTOR.....	71
TERMINAL BLOCK.....	72
MOTOR ASS'Y.....	73
HEATER ASS'Y / LAMP ASS'Y.....	75
FILTER DUST ASS'Y / HUMIDTY SENSOR.....	76
DOOR ASS'Y.....	77
GAS BURNER ASS'Y.....	79

□ What is a Dryer?

1. What is a Dryer?

A lifter, operated by a rotating drum, rolls laundry in the drum, and hot air heated by electricity (or gas) dries the laundry through time or sensor dry system (a temperature control system) under various conditions.

2. Key Features

◆ Large Capacity/Time-Saving

- A large quantity of laundry can be dried at a time, saving energy as well as time.

◆ Automatic Digital Dry

- The digital sensor measures the humidity of laundry for optimum drying.

◆ Large Door and Automatic Dry

- The dryer has a large transparent door for convenient laundry dropping and checking.

◆ Dust Filter

- Fluff and dust are filtered during the drying process.

◆ Sterilizing Dry

- The high-temperature air dries laundry with sterilizing effects.

◆ Drying Shoes

- The dryer rack provided with the unit helps drying shoes as well as sensitive fabric.

◆ Anti Static

- This is the function that injects steam late in the drying cycle to reduce the static electricity.

3. Key Functions

- ◆ Dry Time
 - Adjust the length of time for drying.

- ◆ Sensor Dry
 - Automatically dry according to the types of laundry.

- ◆ Rack Dry
 - Dry sensitive shoes and fabric(e.g. sweaters, silk, lingerie) on the rack.

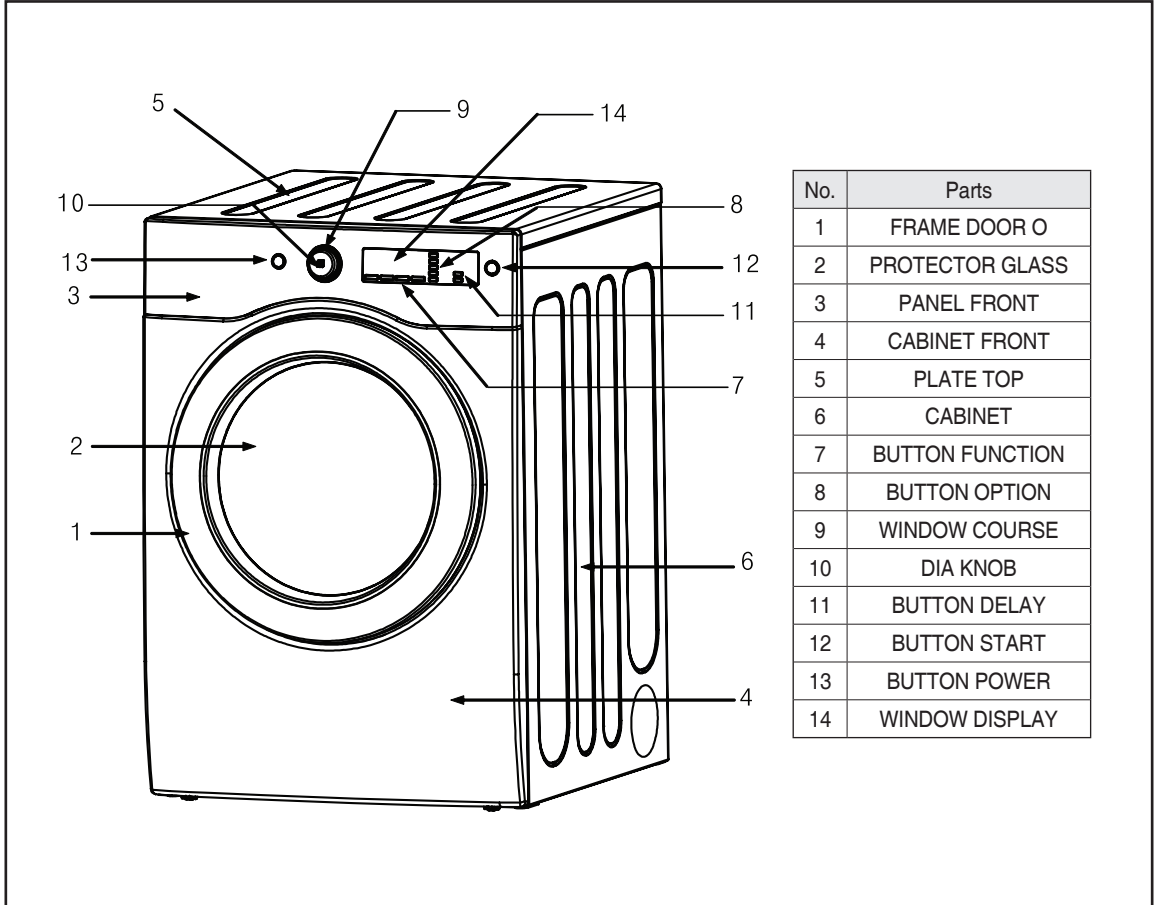
- ◆ Anti-crease
 - Prevent wrinkles in case laundry stays in the drum after the drying process.

- ◆ Damp Signal
 - Signals when laundry is damp enough to be ironed.

- ◆ Delay Start
 - Preset time indicates starting time of the cycle.

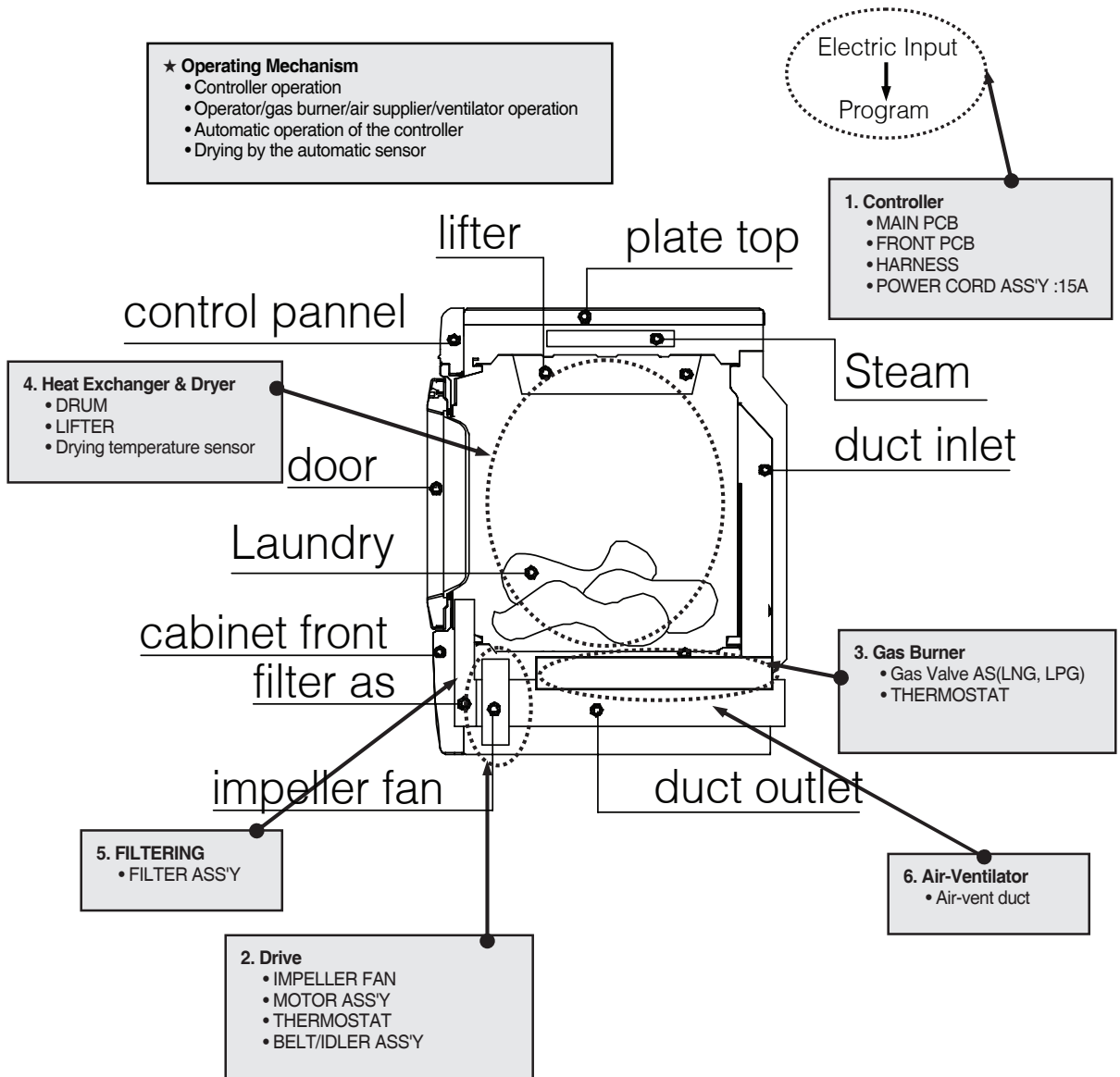
☐ Dryer Specification

1. Product Look

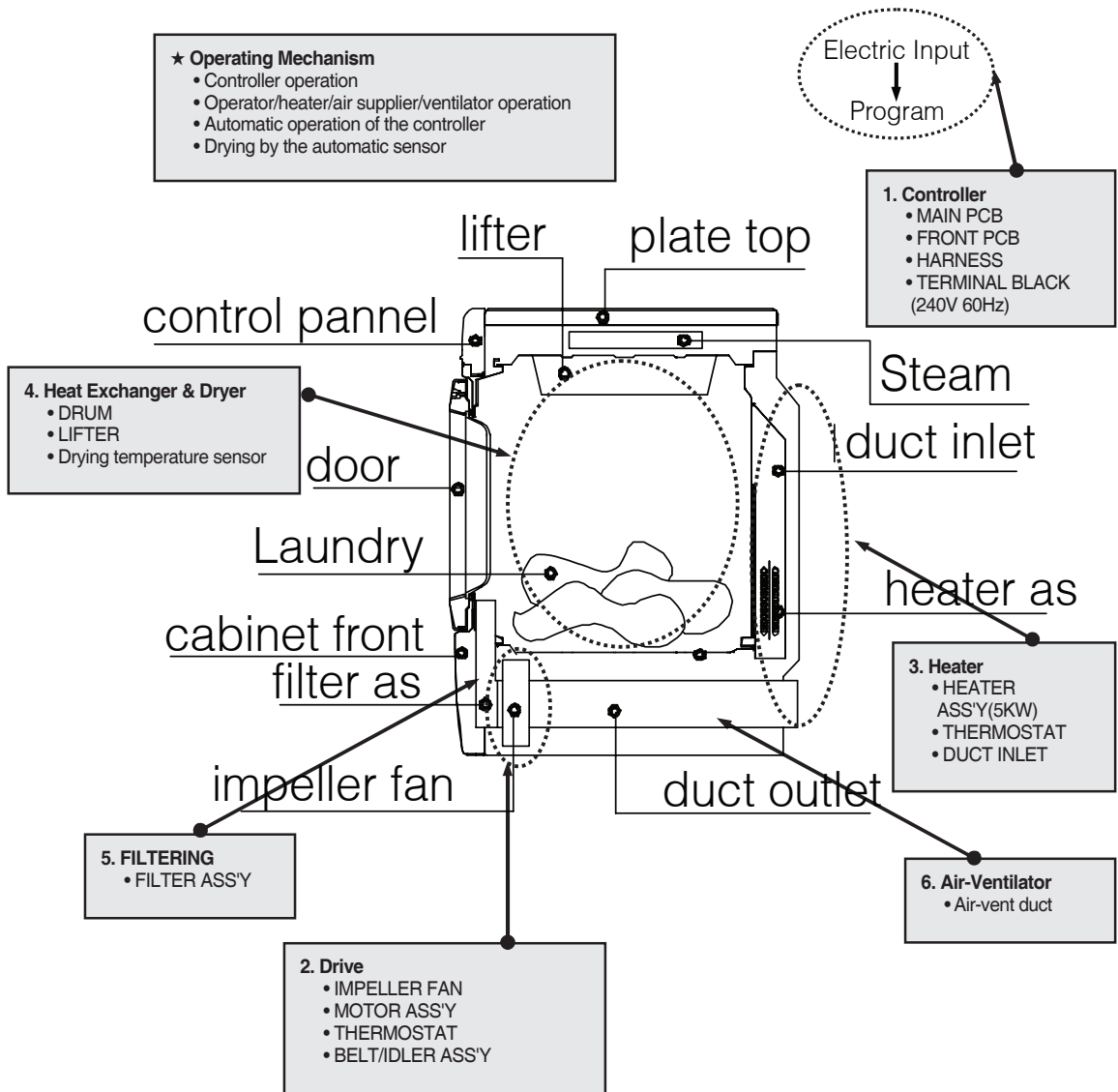


Dimensions	27" (68.6cm) x 32" (81.2cm) x 40 3/8" (102.5cm) x 52" (132cm)	
	W x D x H x Depth with door open	
Weight	129 lb. (58.5 kg)	
Capacity	IEC 7.3 cu.ft (22.9lb)	
Rated Power	Electric	Gas(LNG/LPG)
Rating	120/240V 60Hz	120V 60Hz
	23.5A 5300W	5A 22.9lb

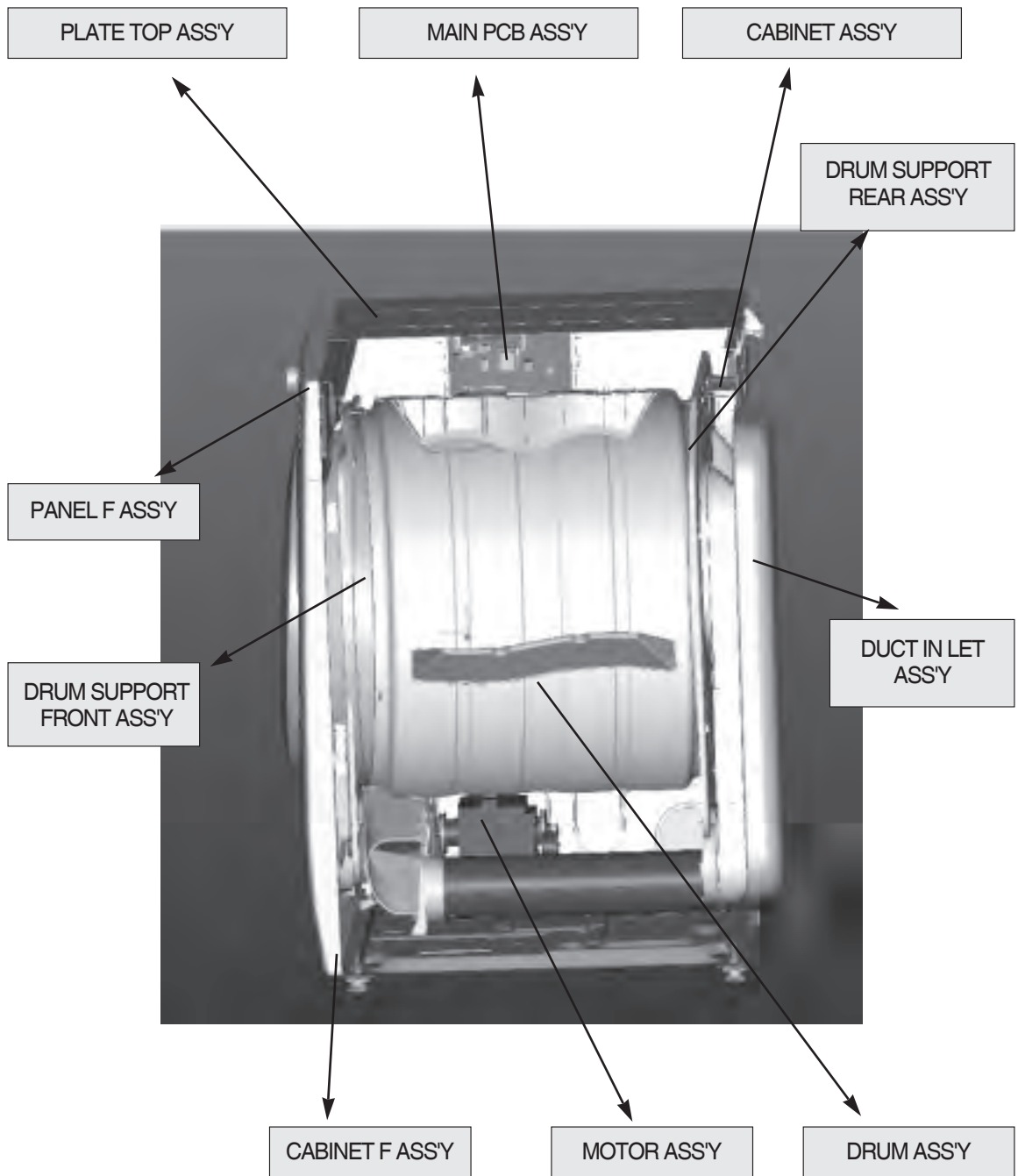
Operating Mechanism Diagram (Gas Type)



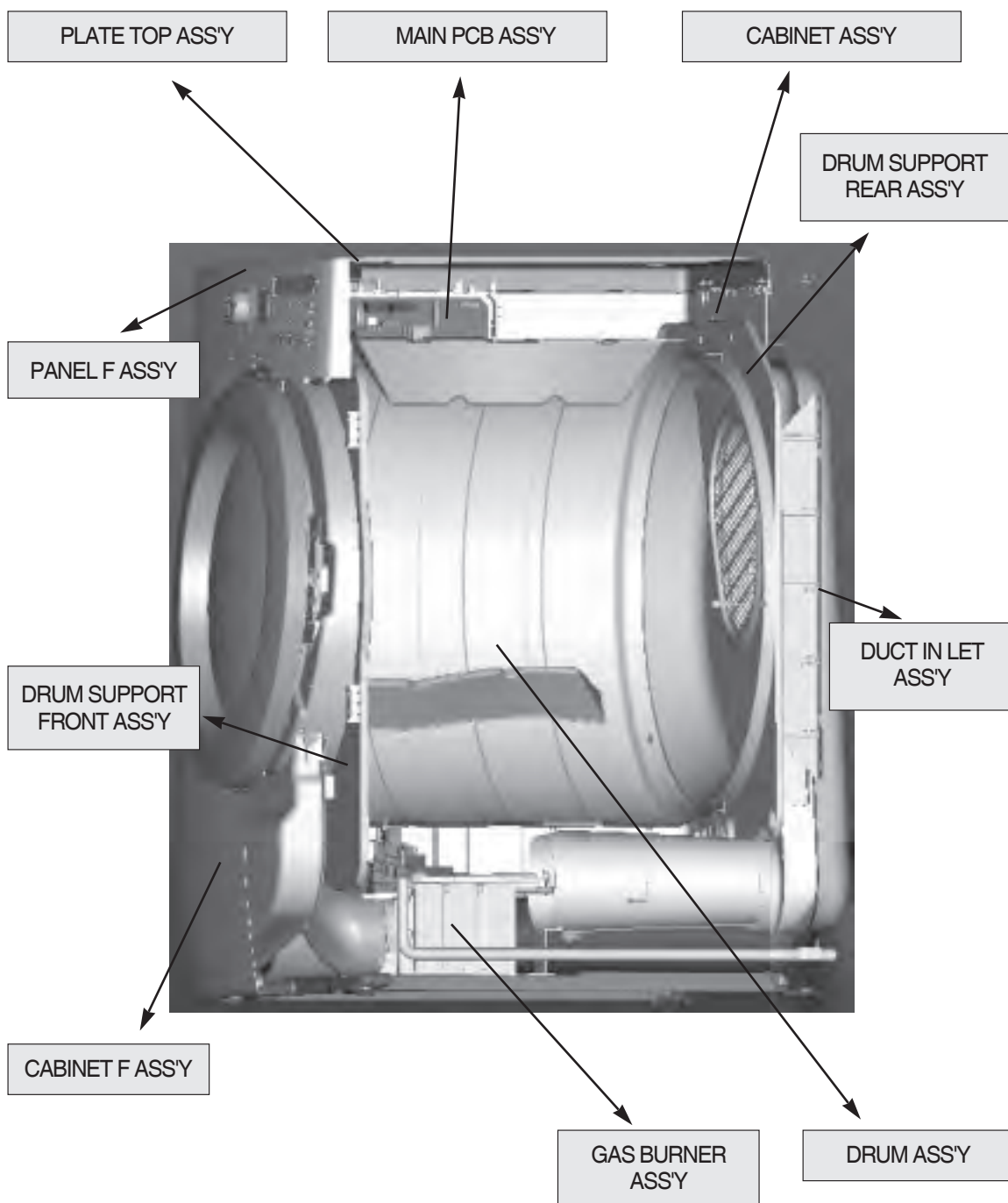
Operating Mechanism Diagram (Electric Type)



❑ Mechanism by Ass'y (Electric Type)

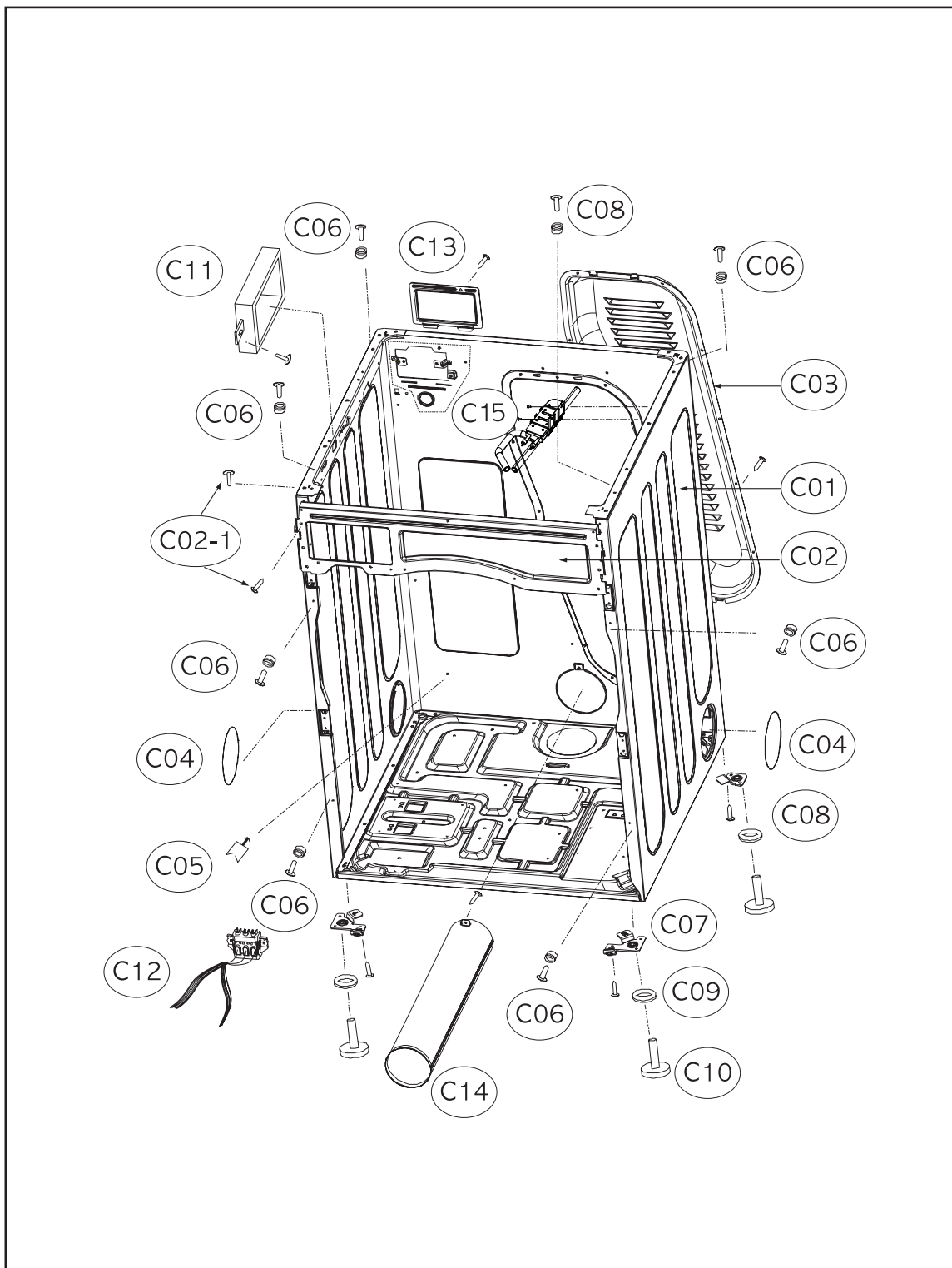


□ Mechanism by Ass'y (Gas Type)



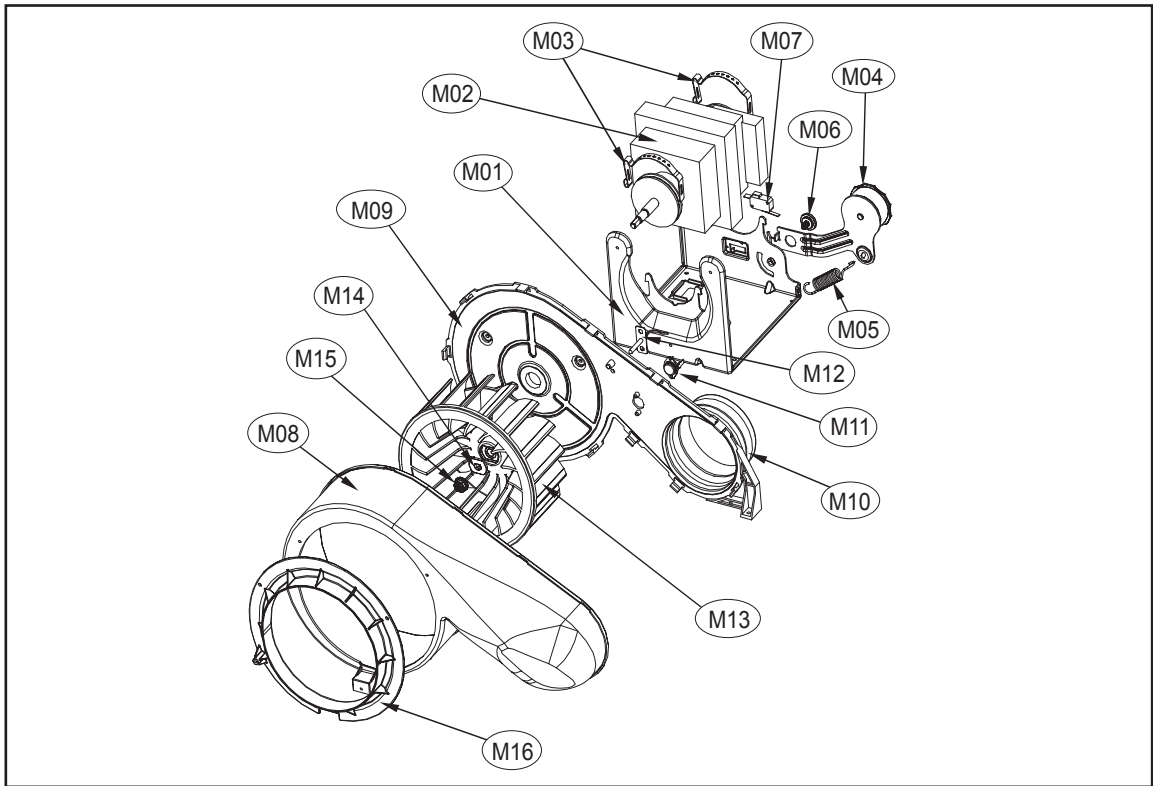
Parts List by Ass'y

1. DRYER CABINET ASS'Y



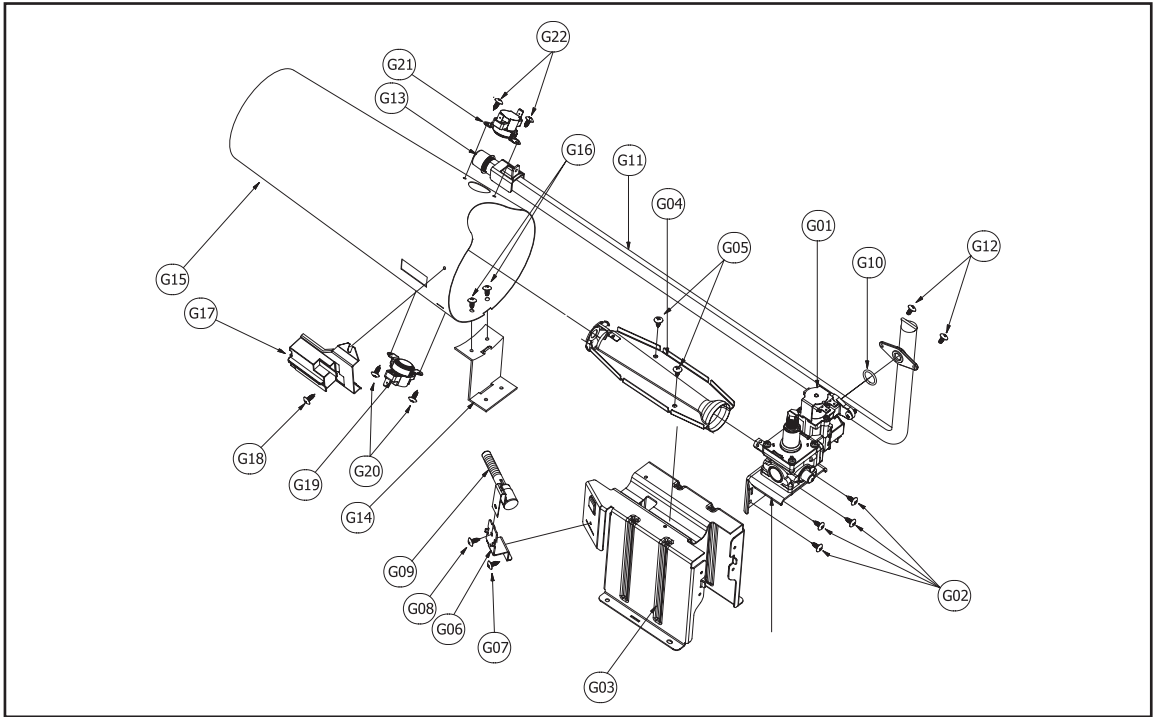
No.	Part Name	Part Code	Description	Qty	Remark
C01	CABINET(ELECTRIC)	3610812350	SGCC 0.8T	1	1 PIECE SVC PART
	CABINET(GAS)	3610812360	SGCC 0.8T	1	
C01-1	FRAME TOP L	3612206500	SGCC 1.6T	1	
C01-2	FRAME TOP R	3612206600	SGCC 1.6T	1	
C01-3	BASE UNDER	3610392900	SGCD 0.8T	1	
C01-4	LOCK HARNESS M	3612207900	NYLON	12	
C02	FRAME UPPER	3612207900	SGCC 1.2T	1	
-	SCREW TAPPING	7121401411	T2S TRS 4x14	6	For fixing Frame Upper to Cabinet
C03	COVER BACK	3611427900	SGCC 0.6T	1	
-	SCREW TAPPING	7112401411	T1 TRS 4x14	12	For fixing Cover Back
C04	COVER DUCT	3611428010	ABS	2	
C06	FIXTURE PLATE	3612008000	POM	6	
-	SCREW TAPPING	7121401211	T2S PAN 4x12	6	For fixing Plate
C07	SUPPORTER LEG F	3615304200	SECC 3.0T	2	
C08	SUPPORTER LEG R	3615304300	SECC 3.0T	2	
C09	FIXTURE LEG	3612006400	ABS	4	
C10	FOOT	3612100700	BUTYL	4	
-	SCREW TAPPING	7122401411	T2S TRS 4x14	2	For fixing Supporter Leg F/R
C11	PCB DRYER MAIN AS	PRPSSWAD44	UL, Electric main, Hot steam	1	Electric type
		PRPSSWAD47	CSA, Gas main, Hot steam	1	Gas type
-	SCREW TAPPING	7122401411	T2S TRS 4x14	2	For fixing Main PCB to Cabinet
C12	HARNESS AS	3612799100	UL, E-Dryer Main, Hot steam	1	Electric type
		3612797320	CSA, G-Dryer Main, Hot steam	1	Gas type
-	SCREW TAPPING	7121401411	T2S TRS 4x14	6	For fixing Terminal Block
-	SPECIAL SCREW	7S422X4081	TT3 TRS 4x8 SE MFZN	2	For fixing Earth Wire
C13	COVER TERMINAL	3611428100	SGCC 1.0T	1	
-	SCREW TAPPING	7112401411	T1 TRS 4x14	1	For fixing Cover Terminal
C14	PIPE EXHAUST AS	3614413600	SGCC 0.5T	1	
-	SCREW TAPPING	7112401008	T1 TRS 4x14	1	For fixing Pipe Exhaust AS
C15	UNIT STEAM DRYER AS	3619606900	STEAM AS+HOSE+INLET VALVE	1	Refer to '12. Unit steam dryer as'
-	SCREW TAPPING	7122401411	T2 TRS 4*14	2	For fixing Steam AS

2. DRYER MOTOR ASS'Y



No.	Part Name	Part Code	Description	Qty	Remark
M01	BRACKET MOTOR	3610608500	SGCC 2.0T 1	1	
M02	CLAMP MOTOR	36189L5D00	AC 120V 60Hz	1	
M03	CLAMP MOTOR	3611206000	SK5 0.7T	2	
M04	BRACKET IDLER AS	3610609100	DWR-WE31	1	
M05	SPRING IDLER	3615115500	HSW3	1	
M06	SPECIAL BOLT	3616039000	S18A M6x10(FLANGE)	1	
M07	SWITCH MICRO	3619047500	UL 16A 250AC HINGE LEVER. N-C 200G	1	
-	SCREW TAPPING	7121301611	T2S PAN 3x16	2	For fixing micrd s/w
M08	CASE FAN F	3611144900	PP(Heat resisting)	1	
M09	CASE FAN R	3611145000	PP(Heat resisting)	1	
M10	GASKET PIPE	3612323200	EPDM(320*15*2.0t)	1	
-	SCREW TAPPING	7112401411	T1 TRS 4x14	3	For fixing case fanr to bracket motor
M11	THERMOSTAT FAN	3619047900	UL.70ON.85OFF.125V/15A,250V/7.5A	1	
-	SCREW TAPPING	7121300811	T2S PAN 3x8	2	For fixing thermostat fan
M12	THERMOSTAT FAN	361AAAAC20	UL-DRYER.R40=26.065K.R90=4.4278K	1	
-	SCREW TAPPING	7122401411	T2 TRS 4x14	1	For fixing thermistor fan
M13	IMPELLER FAN AS	3611886200	PP(Heat resisting)+BUSHING	1	
M14	SPECIAL WASHER	3616039100	SPC	1	
M15	SPECIAL NUT	3616039200	NUT HEX 3/8-24 UNF LH	1	
M16	COVER FAN	3611428200	PP(Heat resisting)	1	
-	SCREW TAPPING	7122401411	PP(Heat resisting)	2	For fixing cover fan

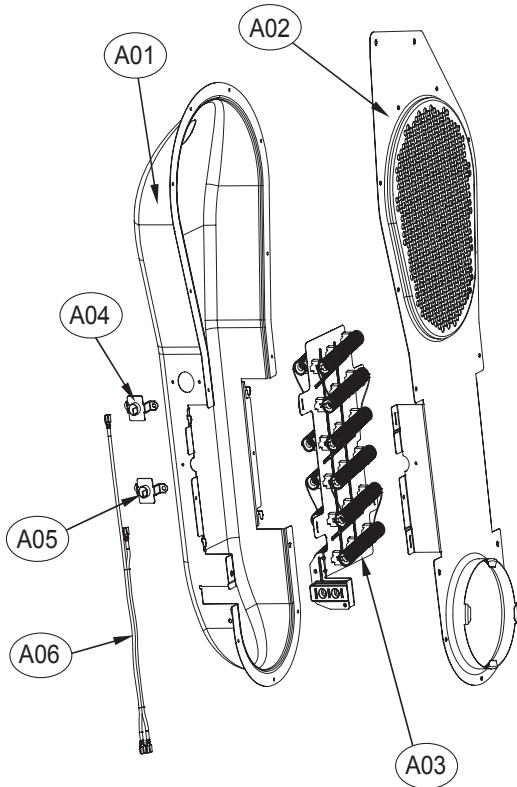
3. GAS BURNER ASS'Y



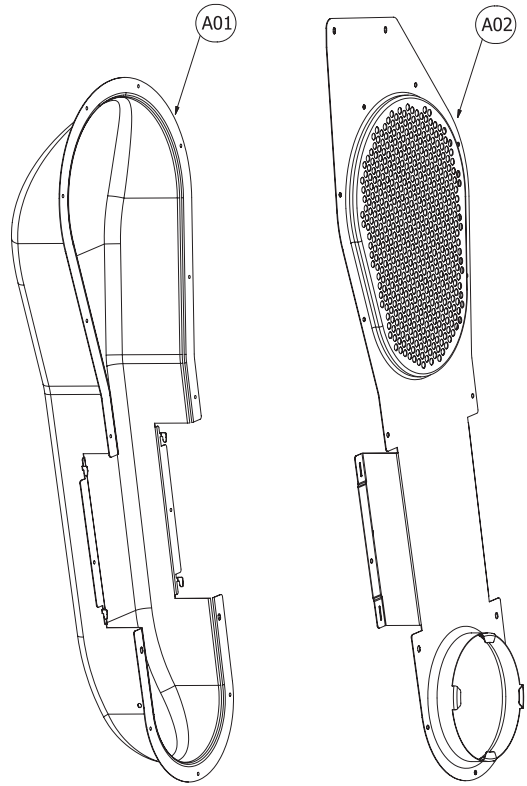
No.	Part Name	Part Code	Description	Qty	Remark
G01	VALVE AS	3615417200	DC12V,130mA 0.5Psi	1	LPG
		3615417300	DC12V,130mA 0.5Psi	1	LPG
G02	SCREW TAPPING		T1 M4*8	4	For fixing G01 & G03
G03	GUIDE BUNNER	3612511100	SGCC 1.0T	1	
G04	MIXING VENTURI AS	3612209200	VENTURI AS+ FLAME DAMPER	1	WELDING(SPOT)
G05	SCREW TAPPING		M4*8, T1	2	
G06	BRACKET IGNITER	3610609400	SGCC 1.6T	1	
G07	SCREW TAPPING		T1 M4°ø8	1	For fixing G03 & G06
G08	SCREW TAPPING		T1 M4°ø8	1	For fixing G03 & G06
G09	IGNITER AS	36189L5800	Ceramic type 120V 60Hz 4A	1	
G10	O-RING	3614604100	HNBR	1	
G11	PIPE AS	3614413800	Pipe+Fixture+connector	1	WELDING
G12	SCREW TAPPING		PS/W 4°ø12	2	For fixing G01 & G11
G13	CAP PIPE	3610918200	PP	1	
G14	FIXTURE FUNNEL	3612009200	SGCC 2.0T	1	
G15	FUNNEL	3612511300	ALCOSTA 0.7T	1	
G16	SCREW TAPPING		T1 M4*8	2	For fixing G14 & G15
G17	FLAME SENSOR AS	3614825700	CSA, 5.75A 120V 60Hz 10RS	1	
G18	SCREW TAPPING		T1 M4*8	1	
G19	THERMOSTAT CUT-OUT	3619047810	110°C OFF / - 35°C ON	1	
G20	SCREW TAPPING		T1 M4*8	2	
G21	THERMOSTAT HI-LIMIT	3619047610	95°C OFF / 70°C ON 125V 25A	1	
G22	SCREW TAPPING		T1 M4*8	2	

4. INLETDUCT ASS'Y

4-1. Electric Type

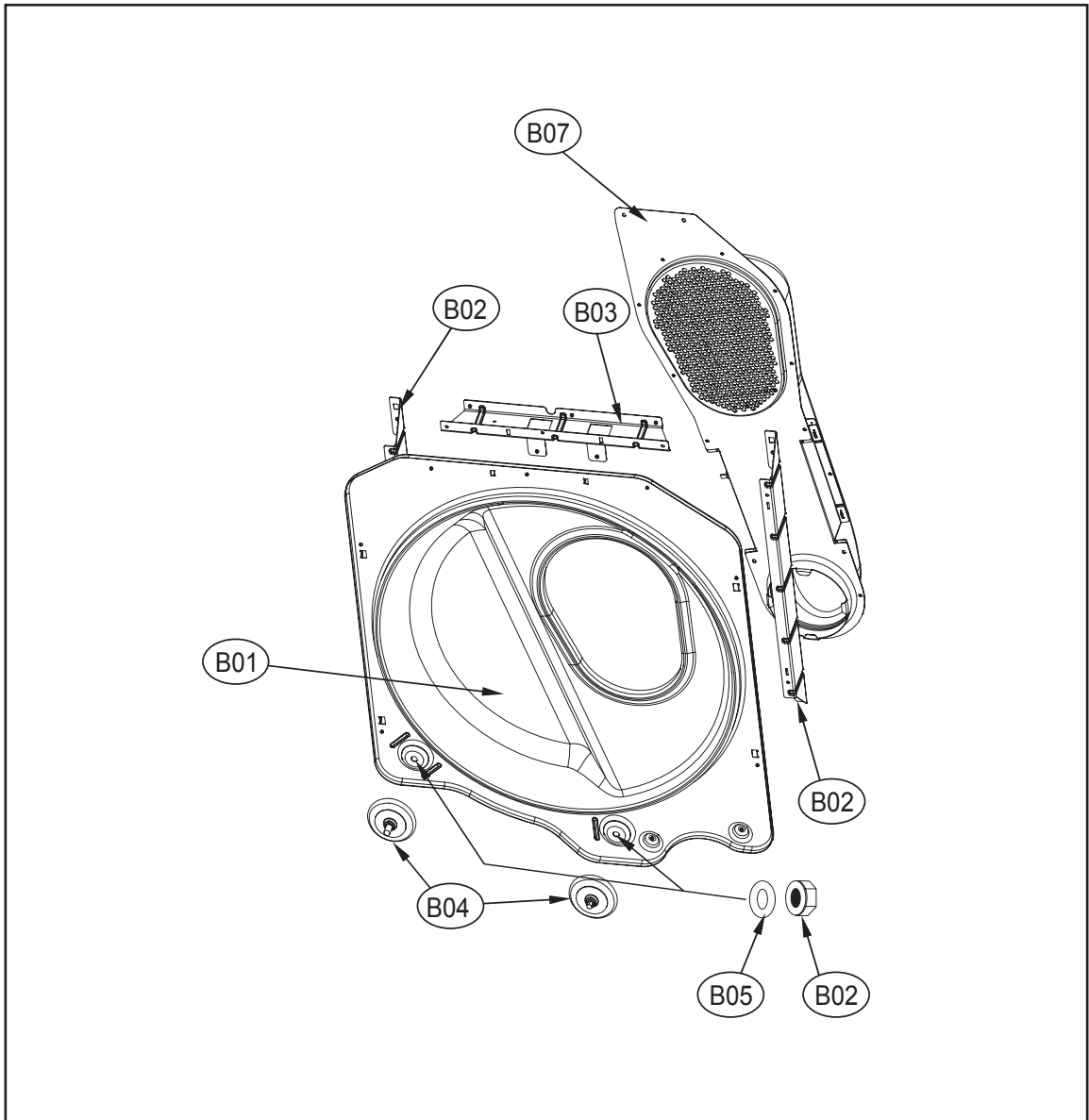


4-2. Gas Type



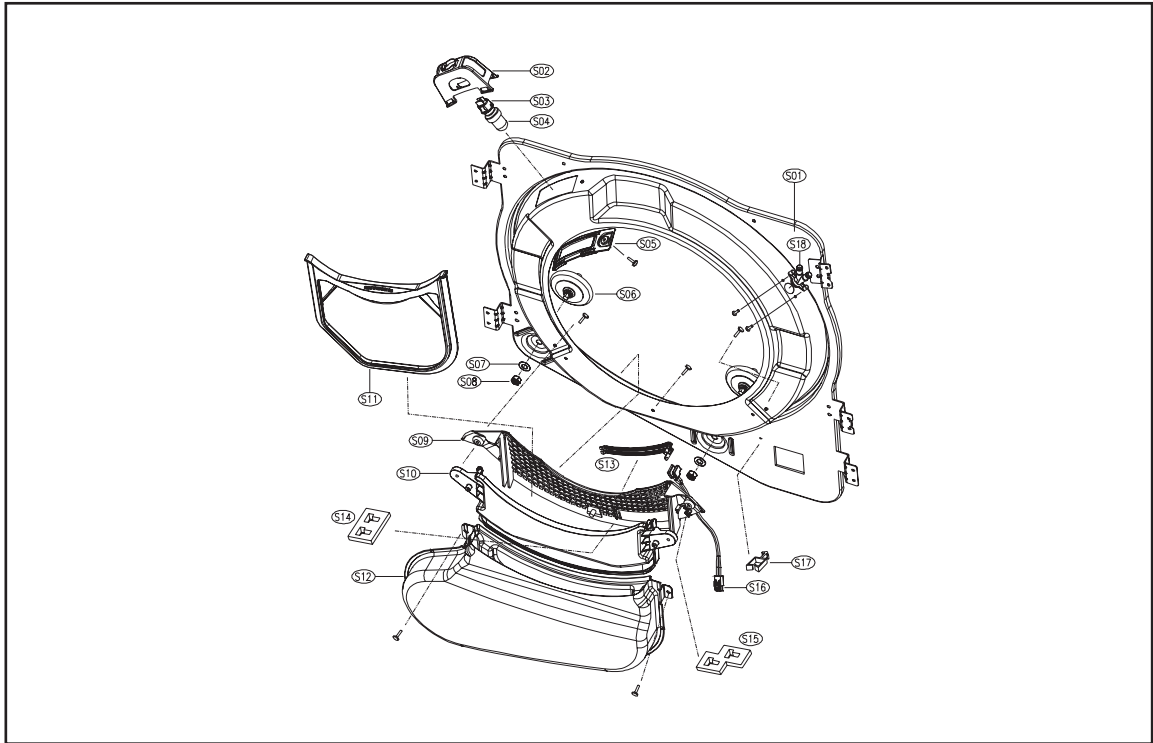
No.	Part Name	Part Code	Description	Qty	Remark
A01	DUCT INLET REAR	3617510200	ALCOSTA 0.6T	1	ELECTRIC TYPE
		3617510210	ALCOSTA 0.6T	1	GAS TYPE
A02	DUCT INLET FRONT	3617510300	ALCOSTA 0.6T	4	ELECTRIC TYPE
		3617510310	ALCOSTA 0.6T		GAS TYPE
A03	HEATER AS	3612802500	240V 5000W	1	ELECTRIC TYPE
A04	THERMOSTAT HI-LIMIT	3619047600	125°C OFF / 94°C ON 250V 25A	1	ELECTRIC TYPE
A05	THERMOSTAT CUT-OUT	3619047800	140°C OFF / -35°C ON 250V 25A	2	ELECTRIC TYPE
A06	HARNES HEATER(DRYER)	3612797100	UL1015 AWG12	1	ELECTRIC TYPE
-	SCREW TAPPING	7122400811	T2S TRS 4x8 MFZN	1	FOR FIXING DUCT INLET F & R
-	SCREW TAPPING	7122400811	T2S TRS 4x8 MFZN	2	FOR FIXING SENSOR

5. SUPPORT DRUM REAR ASS'Y



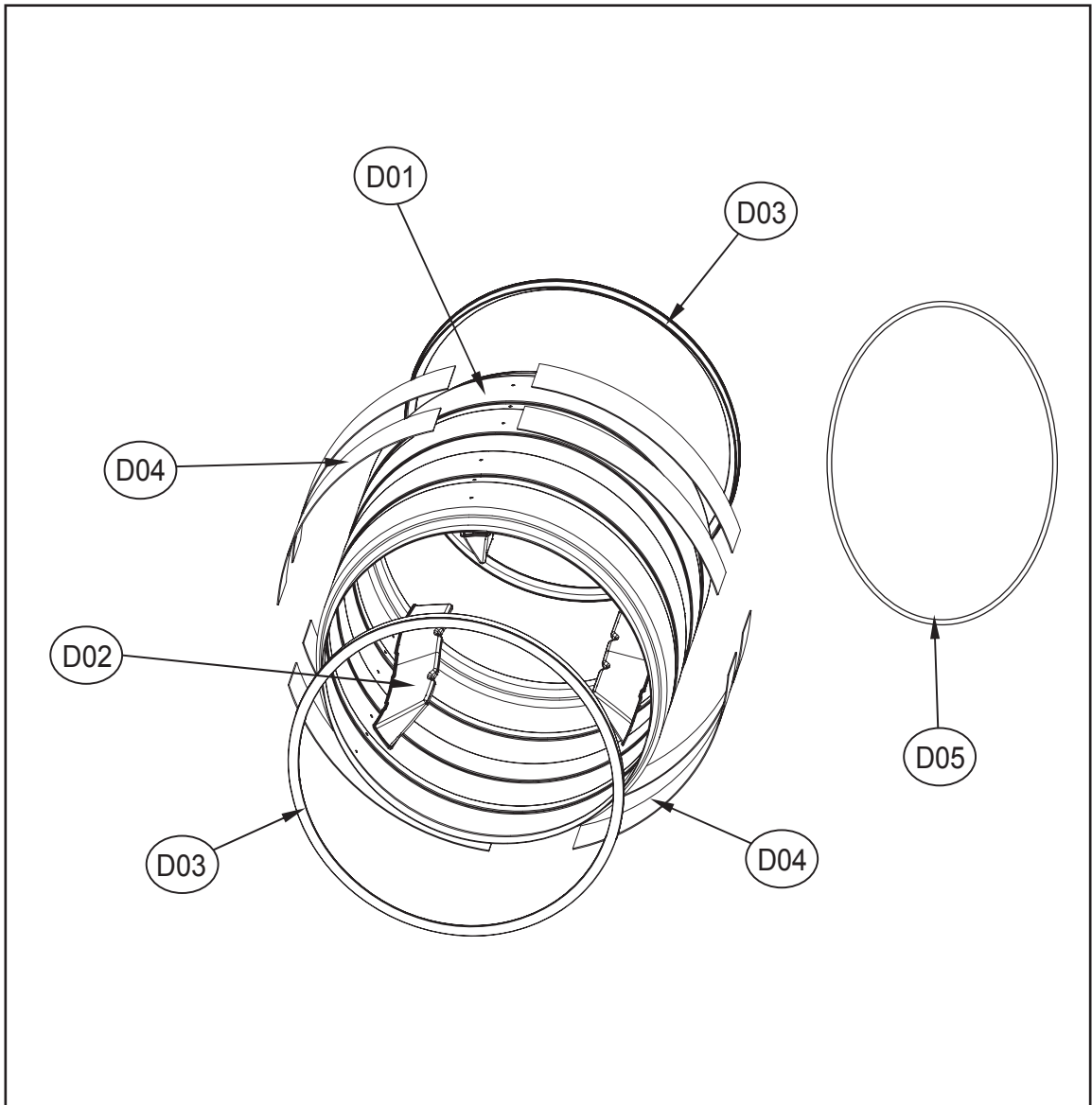
No.	Part Name	Part Code	Description	Qtt'y	Remark
B01	SUPPORT DRUM REAR	3615304500	STS430 2B 0.8T	1	
B02	BRACKET SUP.R-SIDE	3610608810	SGCC 1.0t	2	
B03	BRACKET SUP.R-UPPER	3610608910	SGCC 1.0t	1	
-	SCREW TAPPING	7122401411	T2 TRS 4x14 MFZN	7	For fixing bracket supp.up & side
B04	ROLLER AS	3614714400	ASSY	2	
B05	WASHER SHAFT	3616039400	T=1.6 ID=10.0 OD=25	2	For fixing roller as
B06	NUT HEX	3616039300	M10 P1.5	2	For fixing roller as
B07	DUCT INLET AS	3617510110	ALCOSTA 0.6T	1	GAS TYPE
		3617510100			ELECTRIC TYPE

6. SUPPORT DRUM FRONT ASS'Y



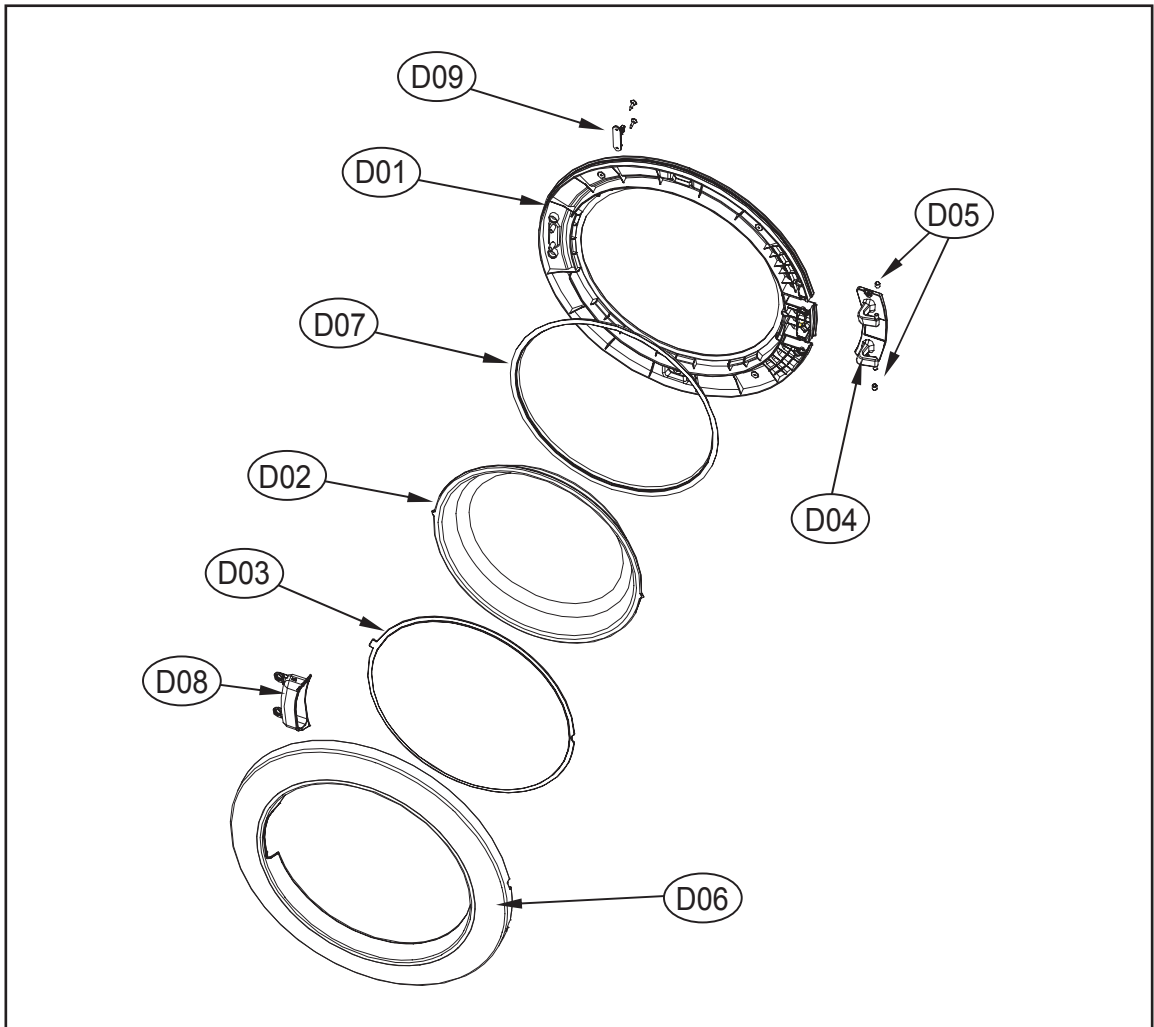
No.	Part Name	Part Code	Description	Qty	Remark
S01	SUP. DRUM F	3615304600	SECD 0.8T	1	
S02	HOUSING LAMP	3613053400	PP(Heat Resisting)	1	
S03	SOCKET LAMP	3613053300	14 BASE LEAD WIRE TYPE	1	
S04	LAMP	3613625400	AC 125V 15W	1	
S05	WINDOW LAMP	3615505100	ABS(Transparent)	1	
-	SCREW TAPPING	7112401208	T1 TRS 4x12 SUS	1	For fixing Window Lamp to Sup.Drum F
S06	ROLLER AS	3614714400	WE31'S Roller As	2	
S07	WASHER SHAFT	3616039400	T=1.6 ID=10.0 OD=25	2	
S08	NUT HEX	3616039300	M10 P1.5	2	
S09	BODY FILTER R	3611909700	PP(Heat resisting)	1	
S10	BODY FILTER F	3611909600	PP(Heat resisting)	1	
S11	FILTER AS	3611909810	PP+NYLON MESH	1	Insert injection
S12	DUCT OUTLET AS	3617510400	DWR-WE31, ALCOSTA 0.6t	1	
-	SCREW TAPPING	7122401408	T2S TRS 4x14 SUS	3	For fixing Body Filter to Sup.Drum F
-	SCREW TAPPING	7122401408	T2S TRS 4x14 SUS	3	For fixing Duct Outlet As to Sup.Drum F
S13	SENSOR MOISTURE	3614825500	STS430 2B 0.8T	2	
S14	FIXTURE SENSOR A	3612009600	PP(Heat resisting)	1	Located center position
S15	FIXTURE SENSOR B	3612009700	PP(Heat resisting)	1	Located right position
S16	HARNESS SENSOR	3612797200	UL. DRYER. SUB-SENSOR	1	
S17	LOCK HARNESS	3613802400	M TYPE 15x19	1	For fixing Harness Sensor to Sup Drum F
S18	STEAM NOZZLE		PP	1	
-	SCREW TAPPING	7122401408	2S TRS 4 * 14 SUS	2	For fixing Steam nozzle

7. DRUM ASS'Y



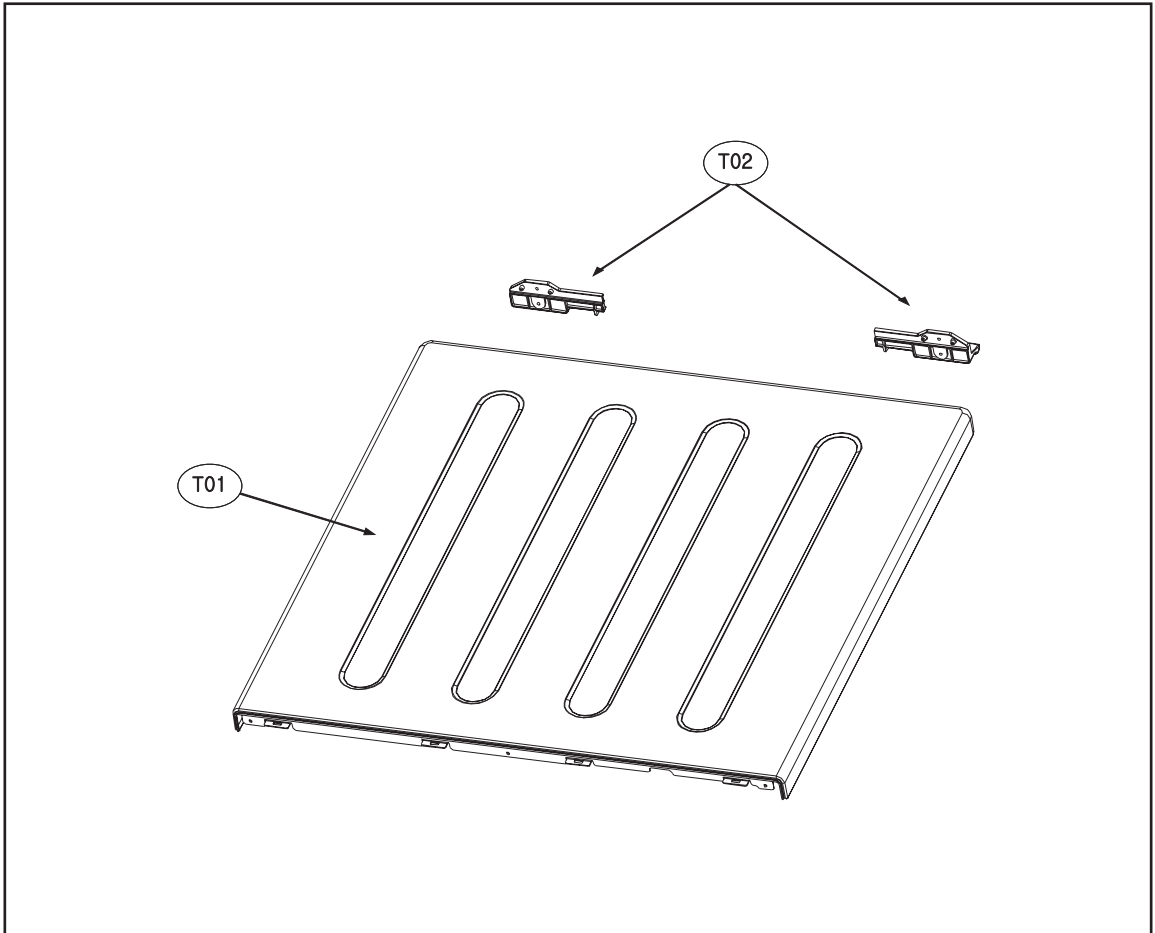
No.	Part Name	Part Code	Description	Qty	Remark
D01	DRUM	3617011000	STS430 J1L 0.5T	1	
D02	LIFTER	361A401050	Heat resisting PP	3	
-	SCREW TAPPING	7122502008	T2 TRS 5x20 SUS	12	For fixing lifter
D03	SEAL DRUM AS	3614010600	Felt + Synthetic leather	2	
D04	PAD DRUM	3614111100	BUTYL	6	
D05	V-BELT	3616591200	POLY TYPE 2,340mm	1	

8. DOOR ASS'Y



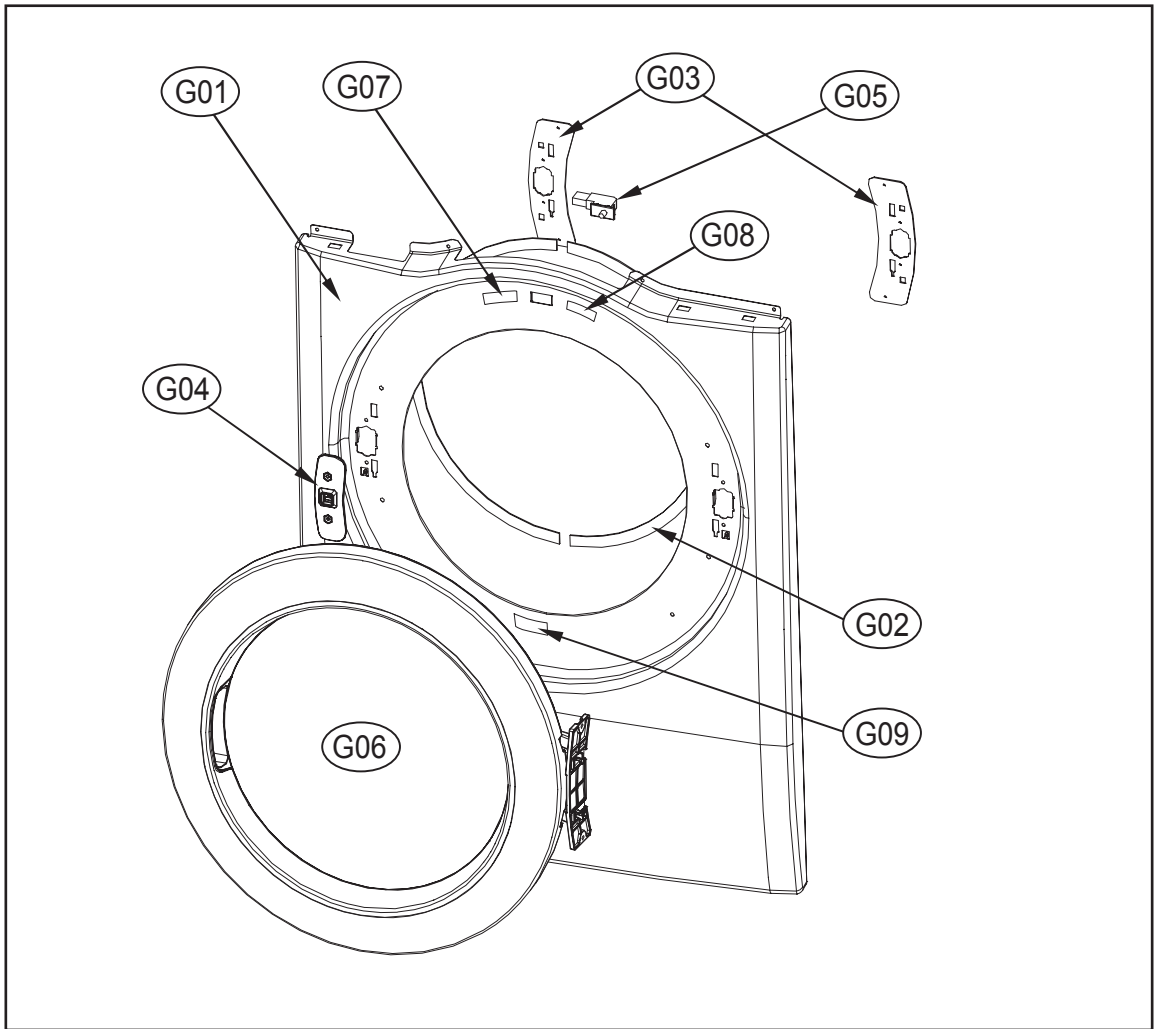
No.	Part Name	Part Code	Description	Qty	Remark
D01	FRAME DOOR I	3612208000	Heat resisting PP	1	
D02	GLASS DOOR	36117ABR00	Glass	1	
D03	PROTECTOR GLASS	3618304300	Transparent ABS	1	
D04	HINGE DOOR	3612903600	Zn-Dc Zn Plated	1	
D05	CAP HINGE DOOR	3610916500	POM	2	
D06	FRAME DOOR O	3612208110	ABS	1	
D07	GASKET DOOR	3612323000	TPE	1	
D08	COVER HANDLE	3611428310	ABS	1	
D09	HOOK DOOR	3613101100	POM	1	
-	SCREW TAPPING	7115401608	FLT 4x16 SUS	1	For fixing hook door
-	SCREW TAPPING	7115402008	T1S FLT 4x20 SUS430 NATURAL	15	For fixing the attachment with door o&l

9.PLATE TOP ASS'Y



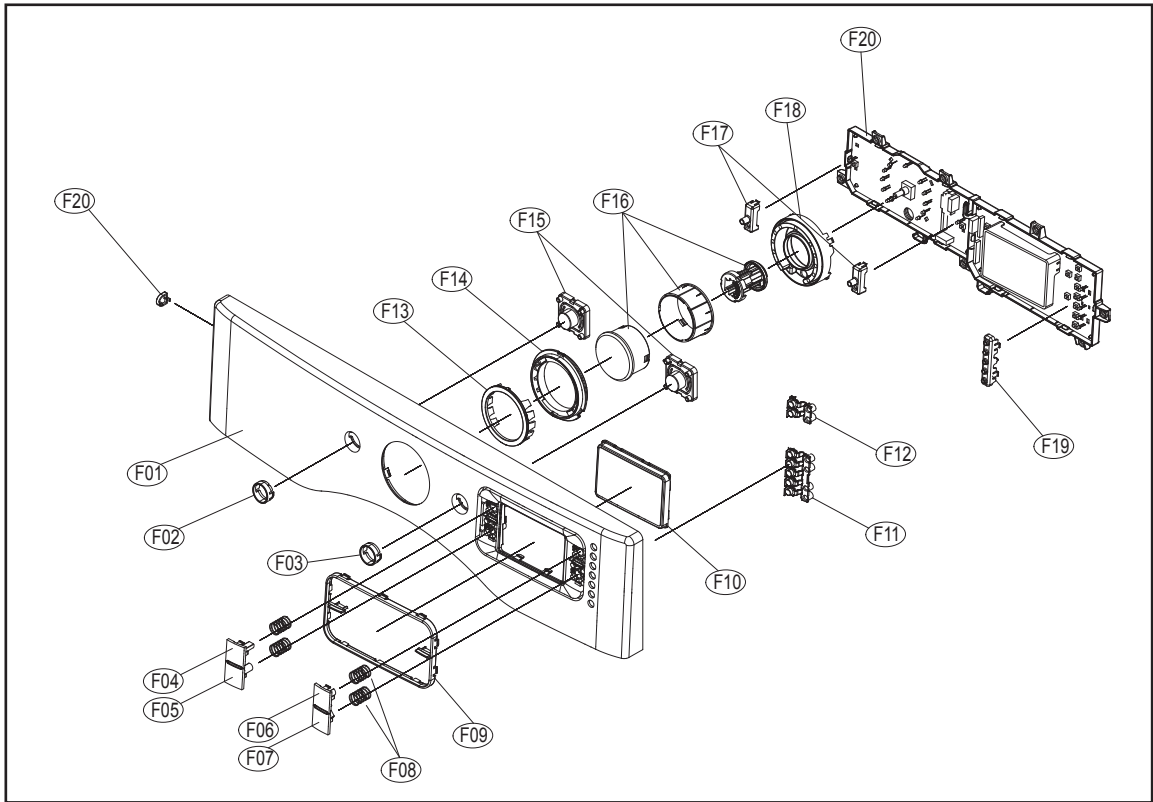
No.	Part Name	Part Code	Description	Qty	Remark
T01	PLATE TOP	3614533010	SECD 1.2T	1	
T02	HANDLE REAR	3615304100	ABS	2	
-	SCREW TAPPING	7122401411	T2S TRS 4x14 MFZN	4	

10. CABINET FRONT ASS'Y



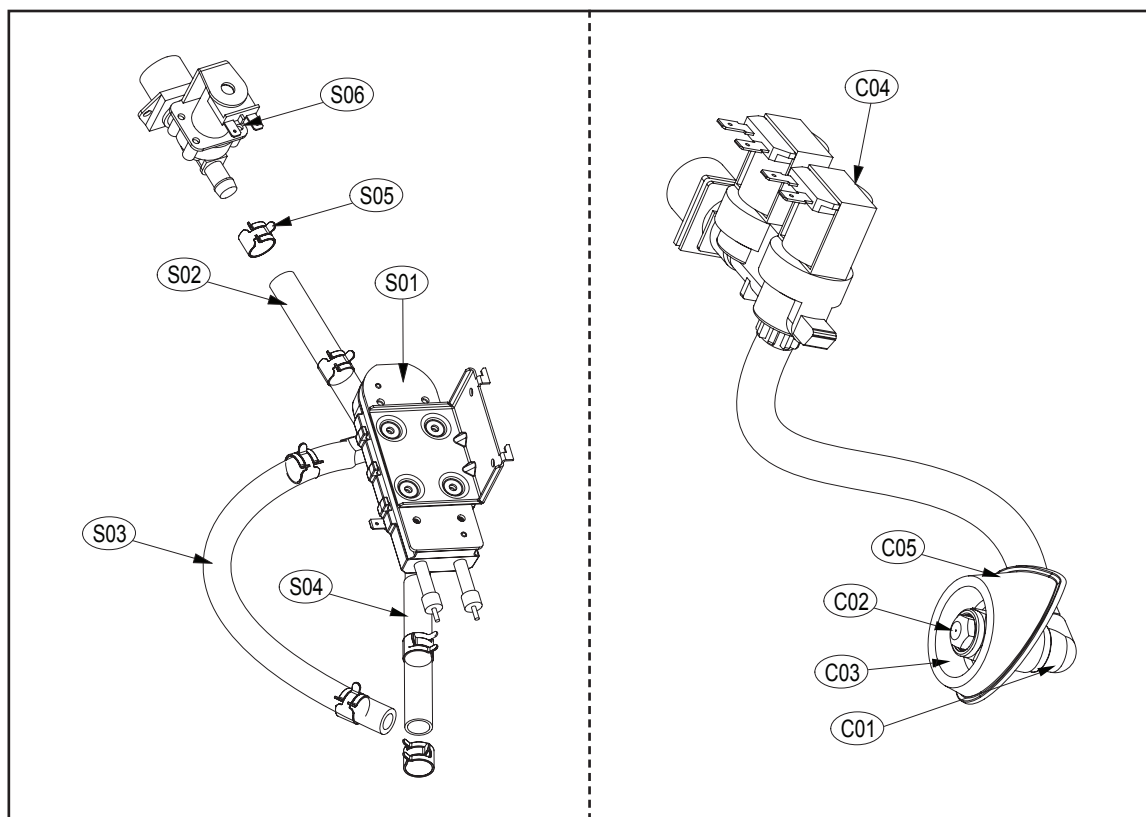
No.	Part Name	Part Code	Description	Qty	Remark
G01	CABINET-F	3610812500	SGCD 0.8t	1	
G02	GASKET CABINET F	3612323350	EPDM 5x10 3.0T R207	4	
G03	SUPPORTER HINGE	3615304400	SGCC 2.0t	2	
G04	DOOR LOCK AS	3613802500		1	
-	SCREW TAPPING	7122401409	T2S TRS 4x14 SUS430	2	For fixing door lock as
G05	SWITCH DOOR	3619047700	125V 7.5A	1	
G06	DOOR AS	36117ABQ00	DWD-WE31	1	
-	SCREW MACHINE	3616051229	STS430 F/L BOLT(SE) 5x12	1	For fixing hinge & cabinet f
G07	LABEL WARNING F	3613558800	PVC	1	
G08	LABEL CAUTION F	3613557600	PVC	1	
G09	LABEL RATING	3613558900	PVC	1	

11. PANEL F ASS'Y



No.	Part Name	Part Code	Description	Qty	Remark
F1	PANEL-F	3614289700	ABS , WE52	1	
F2	DECO POWER	3611692110	ABS , GILDING_BASE	1	
F3	DECO START	3611692210	ABS , GILDING_BASE	1	
F4	BUTTON FUNCTION DRY LEVEL	3616640700	ABS+PRINT	1	
F5	BUTTON FUNCTION TEMP CONTROL	3616640800	ABS+PRINT	1	
F6	BUTTON FUNCTION TIME DRY	3616640900	ABS+PRINT	1	
F7	BUTTON FUNCTION BEEPER	3616641000	ABS+PRINT	1	
F8	SPRING BUTTON	3615116200	SUS 0.7PI D=12.3 L=15	4	
F9	DECO WINDOW	3611692410	ABS , GILDING_BASE	1	
F10	WINDOW DISPLAY	3615508300	ABS , TR558 , WE52	1	
F11	BUTTON OPTION	3616641200	ABS , TR558 , WE52	1	
F12	BUTTON TIME	3616641100	ABS , WE52	1	
F13	WINDOW COURSE	3615508200	ABS , TR558 , WE52	1	
F14	DECO COURSE	3611692310	ABS , GILDING_BASE	1	
F15	BUTTON POWER	3616640500	ABS , TR558 , WE52	1	
F16	BUTTON AS	3616640550	WE52	1	
F17	HOLDER POWER	3613056800	ABS , VE-0856 , WE52	2	
F18	HOLDER COURSE	3613056900	ABS , VE-0856 , WE52	1	
F19	HOLDER OPTION	3613057000	ABS , VE-0856 , WE52	1	
F20	CASE PCB F	3611148800	ABS , VE-0856 , WE52	1	

12. UNIT STEAM DRYER AS & UNIT COLD SPRAY AS



No.	Part Name	Part Code	Description	Qty	Remark
S	UNIT STEAM DRYER AS	3619606900	R-WE52S,HOT STEAM AS	1	
S01	UNIT STEAM AS	3619606700	D-WD1351,STEAM AS	1	
S02	HOSE SPRAY	3613275100	UL, SILICON, ID=9.5, OD=16.5	0.33	
S03	HOSE SPRAY	3613275100	UL, SILICON, ID=9.5, OD=16.5	0.41	
S04	HOSE SPRAY	3613275100	UL, SILICON, ID=9.5, OD=16.5	0.31	
S05	CLAMP HOSE	3611205830	HOT SPRAY,ID=15.5	6	
S06	VALVE INLET	3615416731	120V60HZ.BITRON.COLD SPRAY	1	
-	SCREW TAPPING	7122401411	T2 TRS 4x14 MFZN	2	
-	UNIT COLD SPRAY AS	3619607000	R-WE52,COLD SPRAY AS	1	
C01	BODY COLD SPRAY AS	36104PWE00	BODY COLD SPRAY AS	1	= UNIT COLD SPRAY AS
C02	JET NOZZLE AS	3618110900	HAGO, 10.5 WATER	1	
C03	NUT HEX	3616063800	M14, P1.0, STS	1	
C04	VALVE INLET	3615417900	UL.120V60HZ.BITRON.COLD SPRAY	1	
C05	CAP BODY	3610919300	WE51'S COLD SPRAY BODY	1	
-	SCREW TAPPING	7112401208	T1 TRS 4X12 SUS	2	

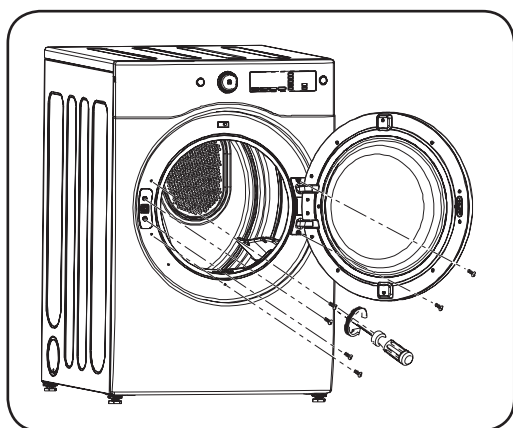
13. Procedure for Reversing the Door

Door Changing

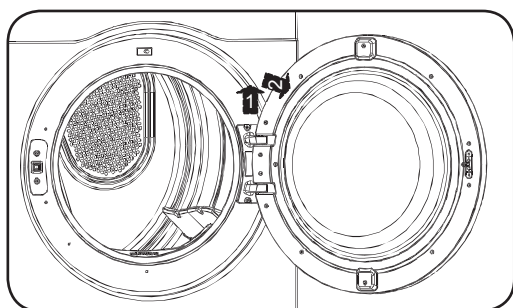
The tumble dryer come with the door hinged on the right. However, it is possible to change the door to be hinged on the left.

Following these instructions:

1. Open the door and remove the two bolts holding the hinge.



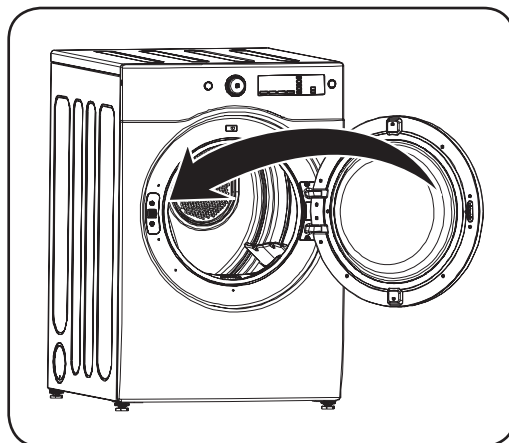
2. Then remove the door out of the front cabinet as indicated by the arrows.



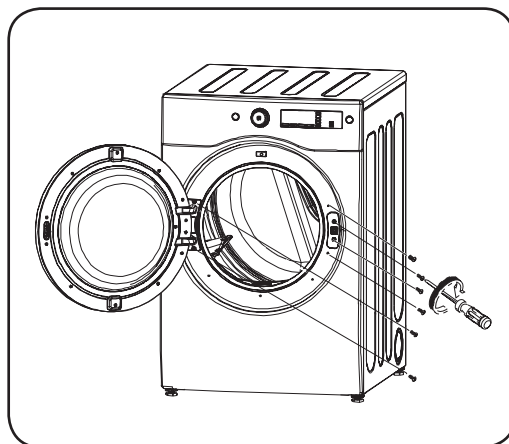
3. Unscrew the four screws on the door lock on the left side of the front cabinet and move to the right side.

4. Replace the screws you removed in step 3.

5. Next insert the hinge of the door securely in place of the left side of the front cabinet.



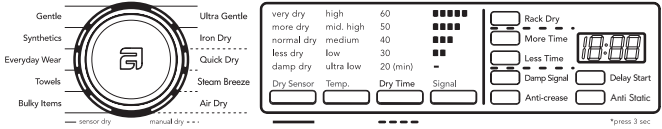
6. Secure the hinge using the bolts you removed in step 1.



PCB Function Specification

1. Front PCB Function Specification

Comprehensive function specification of the unit including operation of a 27-inch dryer by drying courses and drying functions, control of electronic devices by PCB, operation by S/W, test function, error mode, and so on.

No.	Index	Descriptions	Miscellaneous
1	Features of the dryer	<ol style="list-style-type: none"> 1. Applied model: dryer for use in U.S. & CANADA. 2. Power source: ELECTRIC / LNG / LPG 3. Heating type: HEATER / GAS 4. Voltage: PCB & MOTOR 120V 60Hz / HEATER 240V 60Hz 5. PCB type: Front PCB (shared with other models) Main PCB (2 types) : ELECTRIC, GAS ON/OFF CONTROL, 	
2	Course and Operation	 <ol style="list-style-type: none"> 1. Sensor drying courses - 7 Manual drying courses – 3 2. Setting - 7 	
3	Adopted sensors	<ol style="list-style-type: none"> 1. Humidity sensor 2. Temperature sensor: at the duct outlet 	
4	Load control	<ol style="list-style-type: none"> 1. Motor 2. ELECTRIC HEATING : HEATER 2.5KW 2UNIT 3. GAS VALVE : ON/OFF CONTROL 	
5	Display	<ol style="list-style-type: none"> 1. Course and operation display : Lamp LED + 18:88 	

2. Detailed Descriptions

2-1. Setting by Courses

1) Sensor Dry Course

		COURSE - SENSOR DRY			
		Synthetics	Everyday Wear	Towels	Bulky Items
DRY LEVEL	Very Dry	1:01	1:05	1:05	1:10
	More Dry	54	1:02	55	1:00
	Normal	47	59	50	55
	Less Dry	40	56	45	50
	Damp Dry	33	53	40	45
Dry Level Default		Normal	Normal	Normal	Normal
TEMP CONTROL		Medium	Mid High	High	High

		COURSE - SENSOR DRY		
		Gentle	Ultra Gentle	Iron Dry
DRY LEVEL	Very Dry	1:00	55	-
	More Dry	50	45	-
	Normal	40	35	-
	Less Dry	30	25	-
	Damp Dry	20	20	25
Dry Level Default		Normal	Normal	Damp Dry
Temp Control		Low	Low	Ultra Low

- A. Temperatures are not changed in Sensor Dry Course so the initial setting is not altered.
- B. Temp Level is set to “High” while Dry Level is set to “Very Dry”.
- C. All options of Dry Level can be selected in Sensor Course.
- D. The course can not be changed when the unit stops operating temporarily in Sensor Dry and Manual Dry Course.

2) Manual Dry Course

		COURSE - MANUAL DRY		
		Quick Dry	STEAM BREEZE	AIR DRY
TEMP CONTROL	Time	30	17	35
	Temp Default	High	-	-
DRY LEVEL		-	-	-
TEMP		Ultra Low ~ High	-	-

- A. Only Temp is selected in Manual Dry Course.
- B. Dry Level is not selected in Manual Dry Course and Iron Dry.
- C. Operation time does not change even if Temp is changed.
- D. Dry Level and Course LED are off (not selected) if Dry Time is set while only Temp is on (the default set is High).
- E. Time can be changed by using More Time and Less Time buttons when Manual Dry Course and Dry Time are selected.
- F. Pushing More Time or Less Time button increases or decreases time by a minute. The maximum drying time is 1:50 (minutes) and minimum 0:10 (minutes). This includes 5 minutes of cooling time.

2-2. Operation

1) Overview

- Different operation processes are applied to Sensor Dry Course and Manual Dry Course.
- Sensor Dry Course judges the condition of laundry with humidity/temperature sensors so as to decide appropriate dry level.
- Manual Dry Course dries laundry as per temperature conditions set by an operator.

2) Process of Sensor Dry Course

A. Power Button On

- “_ _ _ _” is displayed at 18:88 LED.
- Press Start Button to automatically select Normal Course.
- “High” of initial Beeper goes on and the previous Beeper value is displayed when you switch on the power.

B. Operation Selection

- Select operation with Course Switch/Button.
- Buttons operate as per 2-1.
- The selected Course/Dry Sensor/Temp./Dry Time/Signal goes on.
- Option LED may go on and off according to your selection.

3) Process of Manual Dry Course

A. Power Button On

- “_ _ _” is displayed at 18:88 LED.
- “Check Filter” of Custom LED goes on and off before you press Start Button.
- “High” of initial Beeper goes on and the previous Beeper value is displayed when you switch on the power.

B. Operation Selection

- Select operation with Course Switch/Button.
- “Check Filter” of Custom LED goes on and off before you press Start Button. Once the unit starts operating, “Check Filter” goes off.
- Buttons operate as per 2-1.
- The selected Course/Dry Level/Temp Control/Time Dry/Beeper goes on and Custom LED displays Dry/Cooling.
- Option LED may go on and off according to your selection.

C. Operation Process

- Once operation starts, LED of Custom LED goes off.
- Humidity data are not produced and Heater is controlled by the temperature set by Temp Control.
- Time is not changed but drying/cooling continues during the time set initially.

4) Process of Time Dry Course

A. Selection of Time Dry

- Course Selection goes off.
- Dry Level can not be selected (Default: “High”) but only Temp Control.
- Buttons operate as per 2-1 (Same as Manual Dry).

B. Operation Process

- The process is the same as Manual Dry.
- “Check Filter” of Custom LED goes off if you press Start Button.

2-3. Operation of Load and Sensor

1) Operation of Heater - Electric Type

- On/Off goes on according to temperatures set or measured by the sensor. Regardless of the control by the microcomputer, however, the heater may go off if a temperature reaches Thermostat Off Temperature as per outlet conditions.
- As regards temperature setting, refer to 2-4 (button operation and temp control).
- If you stop the unit temporarily, the machine stops operating until it resumes the function.
- If Sensor Course is selected and Temp Control is set to Low or Ultra Low, only the outer heater operates. Two heaters function if other temperatures are selected.
- If Manual Course is selected and Temp Control is set to Low or Ultra Low, only the outer heater operates. Two heaters function if other temperatures are selected.
- If Time Dry Course is selected and Temp Control is set to Ultra Low, only the outer heater operates. Two heaters function if the temperature is set to Low.
- The heater goes off if Cooling or Wrinkle Care is selected.
- The heater goes off if Air-Dry of Manual Course is selected, for Temp Control is not available.

2) Operation of Gas Valve - On/Off Type

- Gas valve is continuously turned on/ off according to the temperature measured by temperature sensor to reach the set temperature. However, when reaching the temperature for thermostat off by exhaust conditions, gas valve can be turned off regardless of MICOM control.
- For temperature set values, refer to 4) Temp Control of Section 2-4.
- At temporary suspension, operation is stopped. Then, it starts again as the cycle begins.
- Gas valve is not turned off in cooling and wrinkle care cycle.
- In manual course, gas valve for air dry of which temp control is not selected does not operate.

3) Operation of the Motor

- The motor continues its function once operation starts.
- The motor stops if you stop the unit temporarily.
- The motor continues to operate during Cooling.
- If Cooling or Wrinkle Care is selected, the motor turns on for 10 seconds and off for 5 minutes and 50 seconds.

4) Door Control

- The heater and motor operate only the door is closed.
- If the door is opened during the operation, the heater and motor turn off. If you press Start Button while the door is opened, LED goes on for a second.
- The unit operates only after the door is closed.

2-4. Operation of Buttons

1) Power

- A. The electric power switch turns on/off the display.
- B. Automatic switch off function
 - ① Power is immediately switched off after an operation is done.
 - ② Power is switched off after 10 minutes if no button is selected while power is on.
- C. Initial display when power goes on
 - ① LED of all courses goes on in order.
 - ② “_ _ _” is displayed at 18:88 LED.

2) Start/Pause

- A. Normal Course is operated if you press the button after switching on the power.
- B. Operation starts after you select one of 11 automatic and program courses.
- C. If you press this button while the unit is in operation, the on-and-off indicator goes on and the machine stops.
If you press the button again, the operation is resumed.
- D. If you press Pause Button, other buttons or the encoder switch does not function. That is, you can not change the operation once it starts unless switching off the power.
 - ① Power is immediately switched off after an operation is done.
 - ② Power is switched off after 10 minutes if no button is selected while power is on.

3) Dry Level

- A. If you press this button, the following is displayed in order.
Normal-More Dry-Very Dry-Damp Dry-Less Dry-Normal
- B. Each level targets humidity as follows.

Dry Level	Target Humidity
Damp Dry	80%~92%
Less Dry	88% ~ 96%
Normal	92% ~ 100% or higher
More Dry	94% ~ 100% or higher
Very Dry	96% ~ 100% or higher

- C. You can select all levels in Sensor Dry Course but none in Manual Dry Course.

4) Temp Control

A. If you press this button, the following is displayed in order.

Medium - Mid High - High - Ultra Low - Low - Medium

B. Each level targets temperatures as follows. (Target temperatures : Thermostat fan)

Level	Target Temperatures	
	Heater-Off(°C)	Heater-On(°C)
High	63	58
Mid High	59	54
Medium	55	50
Low	50	45
Ultra Low	46	41

C. This is available only in Manual Dry Course not Sensor Dry Course.

5) Time Dry

A. If you press this button, the following is displayed in order.

40 - 50 - 60 - 20 - 30 - 40

B. Pushing More Time or Less Time button increases or decreases time by a minute. The maximum drying time is 1 hour and 50 minutes and minimum 10 minutes (the indicated time includes 5 minutes of cooling).

C. If you select Time Dry, Dry Level and Course LED go off. That is, you can not choose Dry Level and Course but only temperatures (default is High).

D. 5 levels of temperatures are available.

6) Beeper

A. If you press this button, the following is displayed in order.

'High - ▼ - Low - ▼ - Off'

B. Then, the volume of the beeper changes.

C. You can not change the beeper while the unit is in operation or stops temporarily.

7) More Time

A. Pressing this button increases time by a minute.

B. The time increases up to 1:55 (minutes)

C. You can change time in Manual Dry Course and Time Selection. Also Wrinkle Care can be selected/ cancelled.

8) Less Time

- A. Pressing this button decreases time by a minute.
- B. The time decreases up to 00:15 (minutes)
- C. You can change time in Manual Dry Course and Time Selection. Also Anti-crease can be selected/cancelled.

9) Delay Start

- A. Preset time indicates starting time of the cycle.
- B. When pressing Delay Start button, time changes in the order of 1 → 2 → 3 → 4 → ... → 12 → 1.
- C. After selecting preset time, cycle change is possible before entering preset mode by pressing Start/Stop button. However, cycle cannot be changed after entering preset mode.
- D. To preset operation, select cycle → select preset time → press Start/ Stop button.
- E. The selected cycle is displayed for 3 seconds when pressing Start/Stop button after entering preset mode to check the selected cycle.

10) Rack Dry

- A. If you press Rack Dry button, time is set to 55 minutes without default temperature.
- B. Only Low or Ultra Low is selected with the operation of Heater 1.
- C. You can adjust time with More/Less button.
- D. Once Rack Dry is chosen, you can not select Anti-crease, Damp Signal.

11) Anti-crease

- A. Selecting Anti-crease does not change course time.
- B. In order to prevent wrinkle, the motor continues to run for 10 seconds and stops for 5 minutes and 50 seconds while the heater is off after all the operation (including cooling) finishes.
- C. The course stops only you press Start/Stop or Power button.
- D. You can select/cancel this course during operation or pause.

12) Anti Static

- A. The Anti Static injects steam late in the drying cycle to reduce the static electricity caused by dry fabrics rubbing together.
- B. The Anti-Static the case that setting became drying was over to an alternative possibility course, and a Steam + cooling function is progressed. (A selectable course : Everyday/Normal, Towel, Bulky)

13) Damp Signal

- A. This button works only in Sensor Dry Course without changing time.
- B. The unit beeps every 3 seconds after the target humidity is achieved until the operation is finished.
- C. The beep stops if the door is opened or operation stops. When the operation is resumed, the beeper is off.

2-5. Option

Programs		Dry level	Dry temperature	More Time Less Time	Rack dry Anti crease Delay start	Damp signal	Anti static
Bulky items	Default	Normal	High	X	O	O	O
	Select	All	X				
Towels	Default	Normal	High	X	O	O	O
	Select	All	X				
Everyday wear	Default	Normal	Mid.High	X	O	O	O
	Select	All	X				
Synthetic	Default	Normal	Medium	X	O	O	x
	Select	All	X				
Gentle	Default	Normal	Low	X	O	O	x
	Select	All	X				
Ultra gentle	Default	Normal	Low	X	O	O	x
	Select	All	X				
Iron dry	Default	Damp dry	Ultra low	X	O	O	x
	Select	X	X				
Quick dry	Default	-	High	O	O	X	x
	Select	X	Ultralow~high				
Steam Breeze	Default	-	-	x	x	x	x
	Select	-	-				
Air dry	Default	-	-	O	O	X	x
	Select	X	X				

A. If you select Rack Dry, the previous course and operation goes off.

B. If you select Rack Dry, Anti-crease or Damp Signal is not available.

2-6. Error Mode

1) H1 error - Humidity sensor error

- ① This occurs when there is a short defect in the humidity sensor (the indicated value is lower than 24)
- ② The unit buzzes, indicating the error, every 10 minutes for 10 seconds.
- ③ The error display goes off when the power is switched on/off.

2) H2 error - Drying temperature sensor open/short error

- ① This occurs when there is a defect in the drying temp sensor or disconnection.
- ② The unit buzzes, indicating the error, every 10 minutes for 10 seconds.
- ③ The error display goes off when the power is switched on/off.

3) H5 error - Heater overheated (ELECTRIC TYPE)

- ① This occurs when the temp sensor indicates 85° or higher.

4) Heater disconnection check and H4/H6 error (ELECTRIC TYPE)

- ① No error is indicated in case of actual consumer use, for this mode checks heater defects through customer service.
- ② The defect must be checked without any load.
- ③ How to enter the mode: Push the power button while Dry Beep and More buttons are pressed at the same time.
- ④ Then, Heater 1, Heater 2, and the motor are turned on.
- ⑤ Check the temp initially and 2 minutes later. Measure the difference.
If the difference is 20°C or greater, "OK" is indicated.
If between 5°C~19°C, "H6" is displayed, indicating disconnection of one heater.
If 5°C or below, "H4" is displayed, indicating disconnection of two heaters.

5) H3 Error - Flame Detector Open Defect (Gas Type)

- ① Prior to igniter operation, it is checked whether flame detector is attached. H3 error occurs when flame detector is still open after 300 seconds.

6) H7 Error – Gas Valve Defect or Gas Blocked-off (Gas Type)

- ① H7 error occurs if flame detector maintains short state when operating gas valve after normal operation of flame detector and igniter (error displayed after 5 repetitions).

7) H8 Error – Igniter Defect or Flame Detector Short (Gas Type)

- ① Flame detector must open within 120 seconds after igniter operation. H8 error occurs when the initial state of short is maintained after the 120 seconds (error displayed after 5 repetitions).

2-7. Test Mode

1) PCB TEST MODE(ELECTRIC TYPE)

A. How to enter the mode: switch the power on while pressing Dry Level and Time Dry buttons.

B. Operation order: check load by pressing Time Dry or Dry Level Button continually.

- Press Time Dry Button

No.	Operation Load	DISPLAY	Miscellaneous
1	Motor On	1 : nr	
2	Heater 1 on	2 : H1	electric current : 13A
3	Heater 2 on	3 : H2	electric current : 23A
4	Heater 1,2 off	4 : OFF	
5	steam Heater on	5 : H3	hot spray only

- Press Dry level Button

No.	Operation Load	DISPLAY	Miscellaneous
1	Motor On/steam valva1,2 on	1 : nr	
2	Humidity sensor check	2 : Number	
3	thermistor check	3 : Number	display current temperature.
	Door Open		Motor Off.
	Door close, press Start button	4 : Number	Door S/W check, Motor On
	Power Off	Power off	

2) PCB TEST MODE(GAS TYPE)

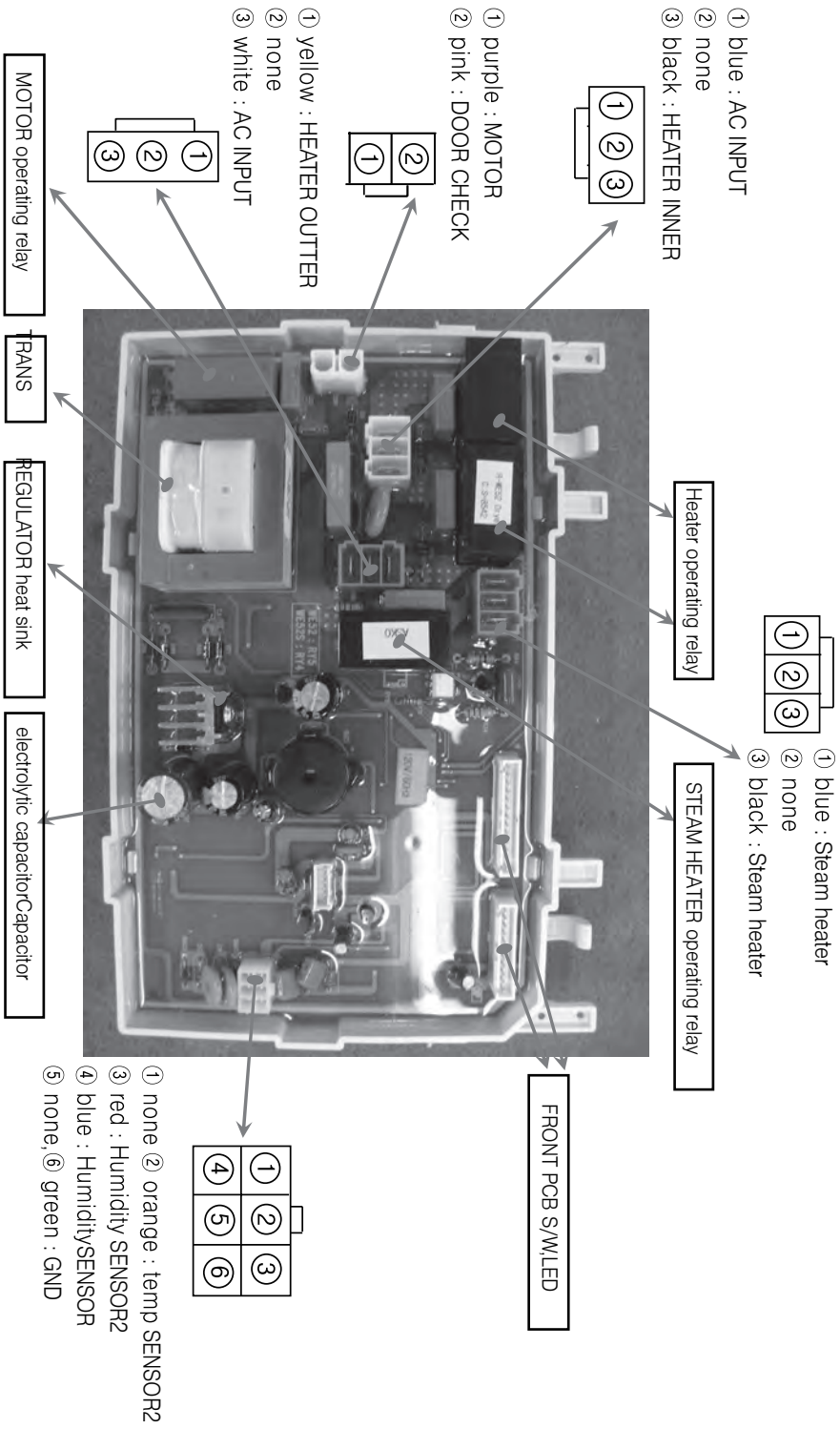
A. How to enter the mode: switch the power on while pressing Dry Level and Time Dry buttons.

B. Operation order: check load by pressing Time Dry Button continually.

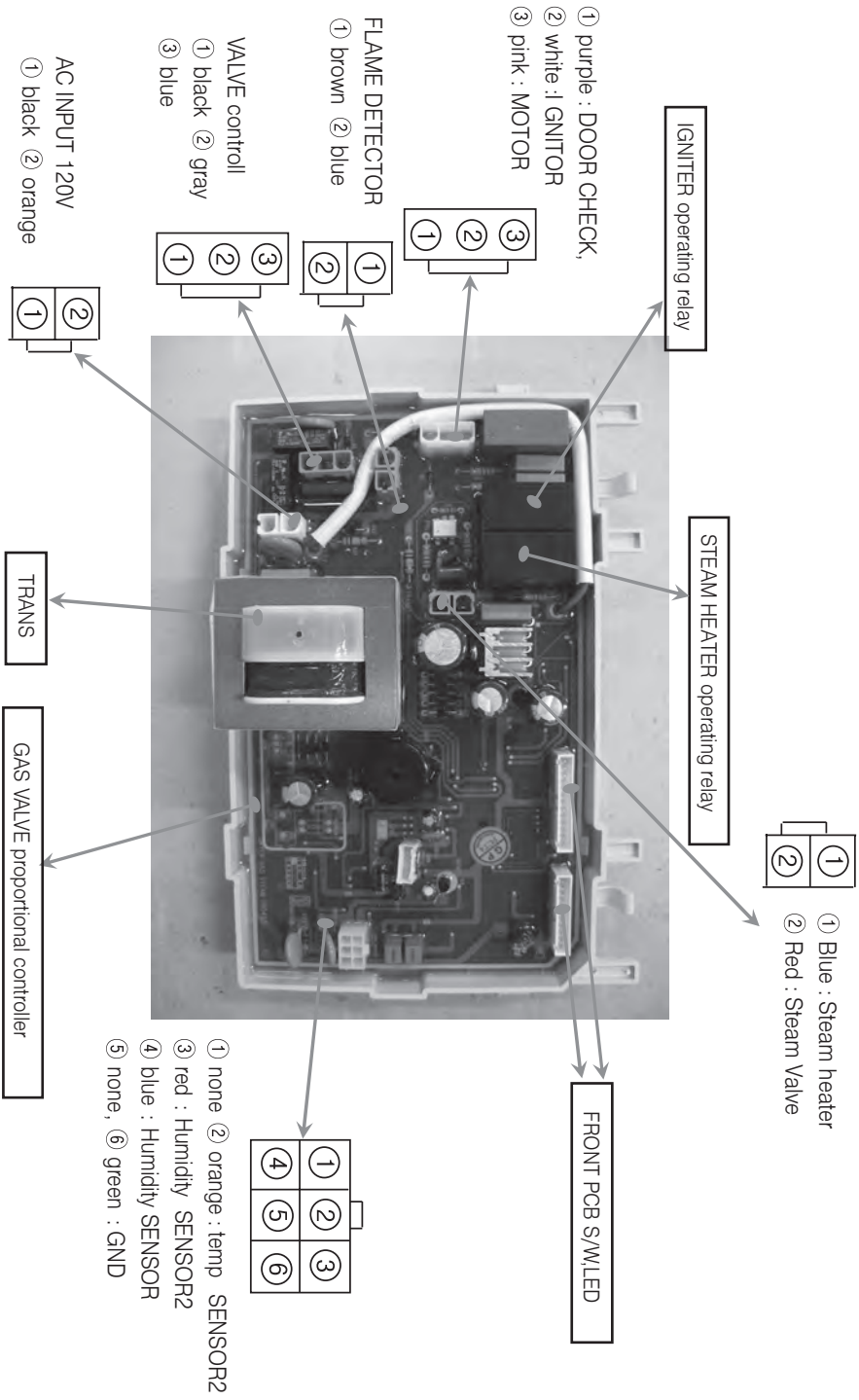
-. Press Time Dry Button

No.	Operation Load	DISPLAY	Miscellaneous
1	Motor On	1 : nr	
2	steam valve 1 on	2:U1	
3	steam valve 2 on/steam Heater on	3:U2/H3	cold/hot
4	Humidity sensor check	4 : Number	
5	ignition on	5 : Number	operate up to 50°C
		OK	display at 50°C
	Power Off		

3. ELECTRIC DRYER PCB PIN LAYOUT



4. GAS DRYER PCB PIN

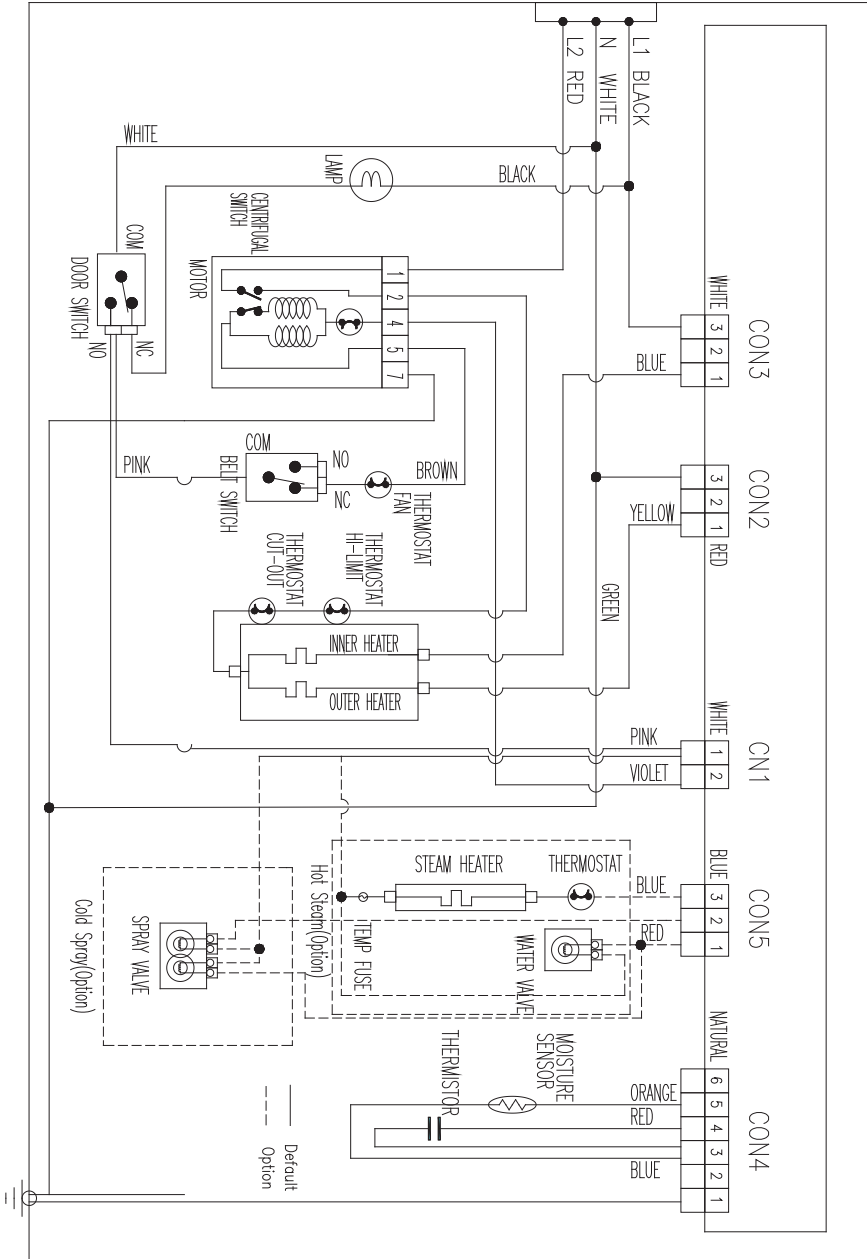


■ Drum Dryer Troubleshooter

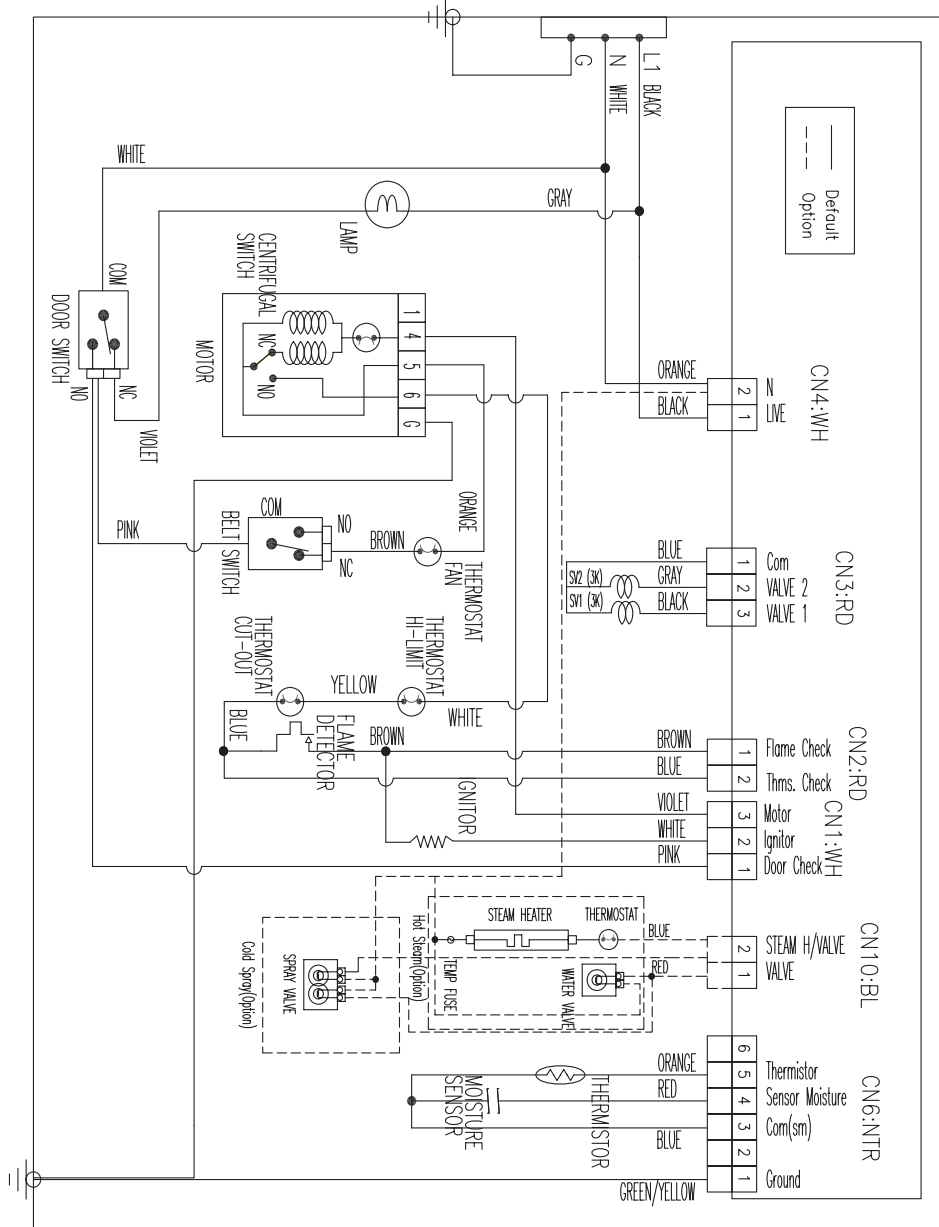
■ POWER / NOISE

Trouble	Symptom	Cause	Solution
Power	Service wire problem	A fault of Lead-in wire power	Call the electricity provider or an expert
		Fuse disconnection of service wire	
	Dryer wire problem Electric parts	Disconnection of the power cable (Connection fault)	Replace the power cable
		Disconnection of a controller terminal pin and connector	Plug in the connector
		Connection/terminal contact fault of a terminal block	Connect the wire
	problem Voltage problem	Fuse disconnection	Replace the fuse
	PCB problem	Rating for gas type: 120V	Check the rating
		Rating for electric type: 120V/240V	Check the rating
	Noise at the initial	Pin connect contact fault	Check the rating
		Circuit fault	Replace PCB
		S/W fault of Panel F	Replace Panel F PCB
		Microcomputer error	Replace PCB
Broken plate		Replace PCB	
	Harness disconnection	Replace/Connect Harness	
Noise	operation Noise during the	Installation	Place the unit on the flat ground
		Impurities in the drum	Remove the impurities
	operation	Impurities on the fan	Disassemble the unit and remove the impurities
		Loosened fan	Tighten the fan
		Excessive laundry	Reduce the laundry
		Impurities between the drum and SUP F,R	Remove the impurities
		Friction of the belt	Replace the belt

1. ELECTRIC DRYER DIAGRAM



2. GAS DRYER(ON/OFF CONTROL) WIRING DIAGRAMS



□ Dryer Installation

1. Installation Order

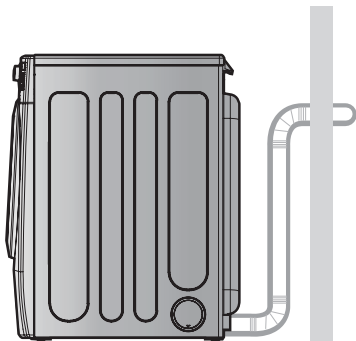
- ① Place the dryer on the flat ground. Keep the unit at least 12 inch away from the wall.



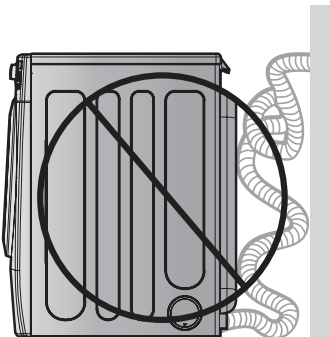
- ② Check the 4 legs and the gap between the unit and floor. The dryer should stand stably when you try to move the unit to the left or right.

- Balance the unit on the floor with the leg adjust as so that the inclination is not greater than 1 inch.

2. Outlet Duct Connection



- Never use a plastic or aluminum foil duct.
- Use a durable 4-inch metal duct (the duct outlet is provided with the dryer. Ask local shops for an additional duct).
- Make the duct outlet the shortest possible length.
- Clean the duct before installation.
- Do not use a bent duct.
- Use aluminum tape for connection and rub for close adhesion.



ELECTRICAL REQUIREMENTS FOR ELECTRIC DRYERS

The following are additional instructions regarding electrical connections and requirements for electric dryers.

Important Warning

To help prevent fire, electric shock, serious injury or death, the wiring and grounding must conform to the latest edition of the National Electrical Code, ANSI/NFPA 70 and all applicable local regulations.

Please contact a qualified electrician to check your home's wiring and fuses to ensure that your home has adequate electrical power to operate the dryer.

120V/ 240V, 60 Hertz, 3-Wire Installation

Instructions for Grounding of your Electric Dryer:

- a) This dryer must be connected to a grounded metal, permanent wiring system or an equipment grounding conductor must be run with the circuit conductors and connected to the equipment grounding terminal or lead on the dryer.
- b) The dryer has its own terminal block that must be connected to a separate 60 Hertz single phase AC circuit, fused at 30 Amperes (the circuit must be fused on both sides of the line).

ELECTRICAL SERVICE FOR THE DRYER SHOULD BE OF MAXIMUM RATE VOLTAGE LISTED ON THE NAMEPLATE.

DO NOT CONNECT DRYER TO 110, 115, OR 120 VOLT CIRCUIT.

- c) If branch circuit to dryer is fifteen feet (4.50 m) or less in length, use U.L. (Underwriters Laboratories) listed No. 10 A.W.G. wire (copper wire only), or as required by local codes.
If over fifteen feet (4.50 m), use U.L. (Underwriters Laboratories) listed No. 8 A.W.G. wire (copper wire only), or as required by local codes.
Allow sufficient slack in wiring so dryer can be moved from its normal location when necessary.
- d) The power cord (pigtail) connection between wall receptacle and dryer terminal block IS NOT supplied with dryer. Type of pigtail and gauge of wire must conform to local codes and with instructions mentioned on the following pages.
- e) The method of wiring the dryer is optional and subject to local code requirements. Refer to examples on next page.
- f) You must select the method by which to wire your dryer according to local code and ordinance requirements. Sample methods are included in the following pages.

Review the following options to determine the appropriate electrical connection for your home:

Use the instructions in this section if your home has a 4-wire receptacle (NEMA type 14-30R) and you will be using a UL listed, 120/240 volt minimum, 30 amp, dryer power supply cord.

Use the instructions in this section if your home has a 3-wire receptacle (NEMA type 10-30R) and you will be using a UL listed, 120/240 volt minimum, 30 amp, dryer power supply cord.



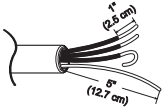
**4-wire receptacle
(NEMA type 14-30R)**



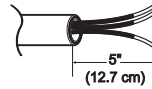
**3-wire receptacle
(NEMA type 10-30R)**

If this type is available at your home, you will be connecting to a fused disconnect or circuit breaker box.

If this type is available at your home, you will be connecting to a fused disconnect or circuit breaker box.



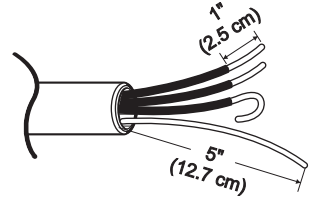
4-wire direct



3-wire direct

4-wire connection : Direct wire

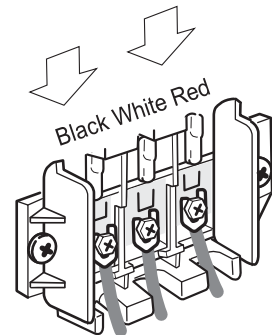
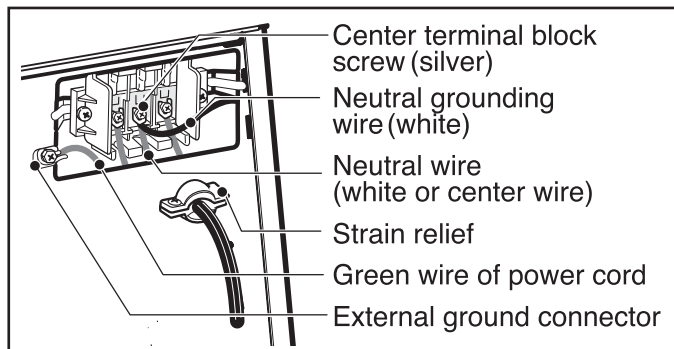
Important : Grounding through the neutral conductor is prohibited for (1) new branch-circuit installations, (2) mobile homes, (3) recreational vehicles, and (4) areas where local codes prohibit grounding through the neutral conductor. Prepare minimum 5 ft (1.52 m) of length in order for dryer to be replaced. First, peel 5 inches (12.7 cm) of covering material from end. Strip 5 inches of ground wire insulation. After cutting 1 1/2 inch (3.8 cm) from 3 other wires peel insulation back 1 inch (2.5 cm). Make ends of 3 wires a hook shape.



Then, put the hooked shape end of the wire under the screw of the terminal block (hooked end facing to the right) and pinch the hook together and screw tightly.

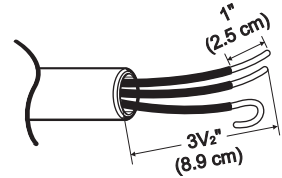
1. Connect neutral wire (white) of power cord to center terminal block screw.
2. Connect red and black wires to the left and right terminal block screws.
3. Connect ground wire (green) of power cord to external ground screw and move neutral ground wire of appliance and connect it to center screw.
4. Make sure that the strain relief screw is tightened.

Be sure that all terminal block nuts are on tight and power cord is in right position.



3-wire connection : Direct wire

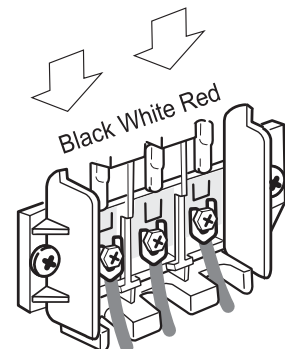
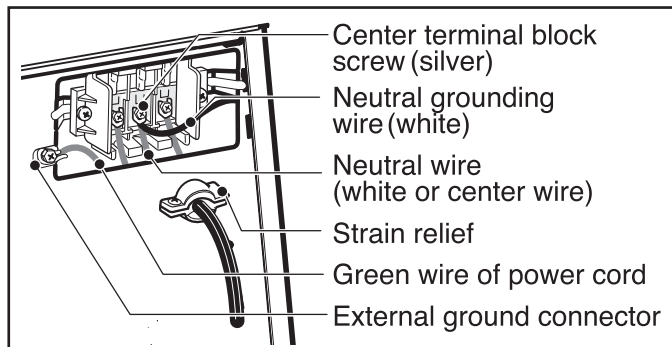
Important : Grounding through the neutral conductor is prohibited for (1) new branch-circuit installations, (2) mobile homes, (3) recreational vehicles, and (4) areas where local codes prohibit grounding through the neutral conductor. Prepare minimum 5 ft (1.52 m) of length in order for dryer to be replaced. First, strip 3 1/2 inches (8.9 cm) of outer sheath from end and strip 1 inch of insulation from each conductor.



Then, put the hooked shape end of the wire under the screw of the terminal block (hooked end facing rightward) and pinch the hook together and tighten the screw securely.

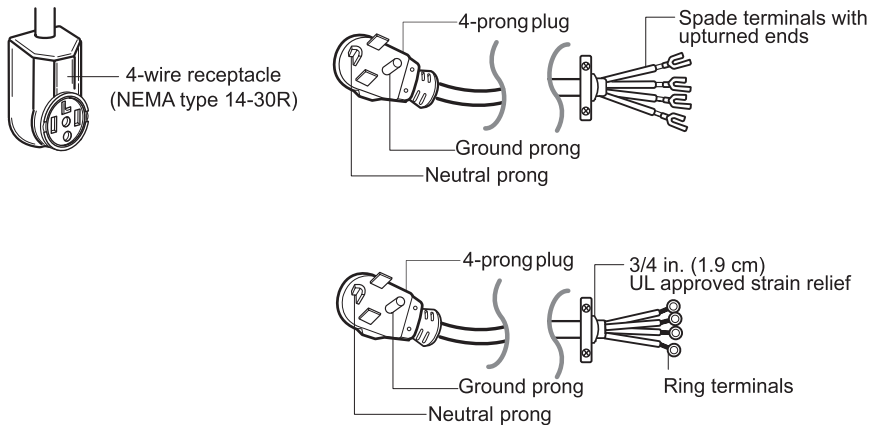
1. Connect neutral wire (white) of power cord to center terminal block screw.
2. Connect red and black wires to the left and right terminal block screws.
3. Make sure that the strain relief screw is tightened.

Be sure that all terminal block nuts are on tight and power cord is in right position.



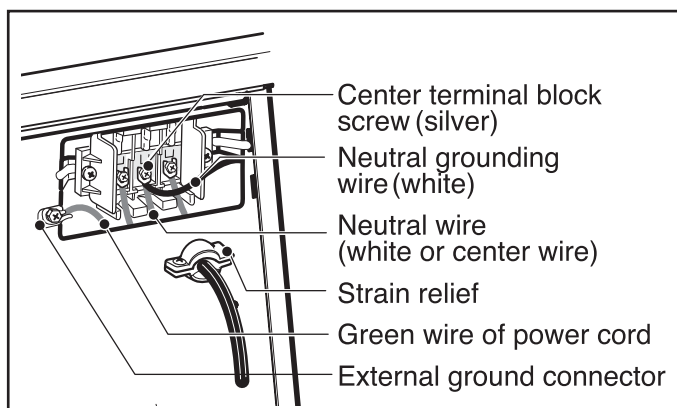
Option 1: 4-wire connection with a power supply cord.

- If your local codes or ordinances do not allow the use of a 3-wire connection, or you are installing your dryer in a mobile home, you must use a 4-wire connection.



1. Connect neutral wire (white) of power cord to center terminal block screw.
2. Connect red and black wires to the left and right terminal block screws.
3. Connect ground wire (green) of power cord to external ground screw and move neutral ground wire of appliance and connect it to center screw.
4. Make sure that the strain relief screw is tightened.

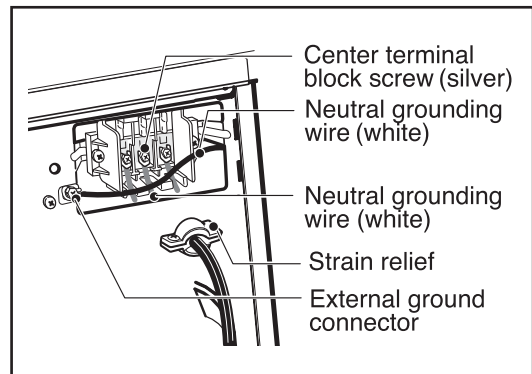
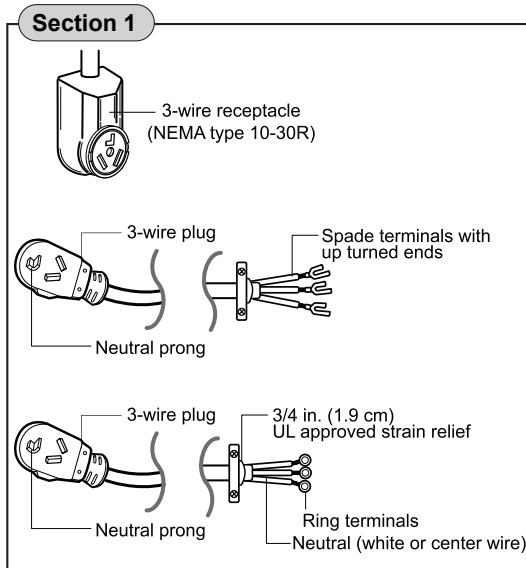
Be sure that all terminal block nuts are on tight and power cord is in right position.



Option 2: 3-Wire connection with a power supply cord.

If your local codes or ordinances permit the connection of a frame-grounding conductor to the neutral wire, use these instructions.

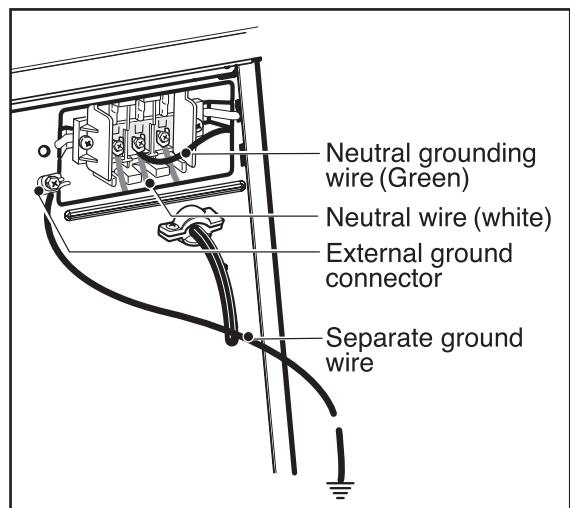
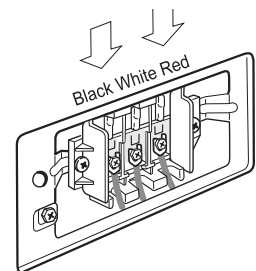
If your local codes or ordinances do not allow the connection of a frame-grounding conductor to the neutral wire, use the instructions under Section 1: Optional 3- wire connection.



Option 3: Optional 3-wire connection.

- If your local codes or ordinances do not allow the connection of a frame-grounding conductor to the neutral wire, use the instructions under this section.

1. Connect neutral wire (white) of power cord to center terminal block screw.
2. Connect ground wire of appliance and neutral wire of power cord to center terminal block screw.
3. Connect red and black wires to the left and right terminal block screws.
4. Make sure the strain relief screw is tightened. Be sure that all terminal block nuts are on tight and power cord is in right position.
5. Connect independent ground wire from external ground connector to proper ground.



□ Dryer Service Notices

No.	Service	Parts	Notices
1	Replacing the humidity sensor	Humidity sensor	Be careful of the terminal connection
			Be careful of loose attachment
2	Replacing/fixing panel f assy	PCB/BUTTON/HARNESS	Be sure that the panel f assy does not interfere in the drum after the service
3	Replacing the lifter	LIFTER	Remove only the plate top to replace the part
4	Replacing roller assy	ROLLER	Be cautious of the direction of the roller/insertion of the washer
5	Replacing the terminal block	TERMINAL BLOCK	Be careful of wiring connection
6	Replacing the heater Replacing the burner	Drying heater GAS BUNNER	Do not use oversized screws.
			Be sure of the proper assembly. (Loosening should be little)
			Be careful that no object (e.g. screws) is dropped into the heater when assembling. Be careful of the direction / insertion of the connector. Use only standard screws.
7	Replacing the sensor	Temp and safety sensor	Be careful of the direction / insertion of the connector. Use only standard screws.
8	Door assembly	Door hinge	Be careful not to scratch chromium plating when fastening the screws to fix the door as. A claim is expected.
9	Disassembly/assembly of the door as	Door as	Be careful about the up/downward direction of door glass and insertion of a gasket. Use only standard screws.
10	Disassembly/assembly of the motor as Replacing the belt	MOTOR AS BELT	Be careful not to nip the finger when assembling the motor (hold the edge of the motor).
			Be careful about the direction of the belt and insertion of a fan/case fan (incorrect assembly may cause noise) as well as the connector.
11	Disassembling the drum	DRUM roller of sup r sup f. before fastening.	Do not drop the motor. Be sure that he drum is accurately put into the

❑ Electric Parts List - Electric Clothes Dryer

Part Name	Part Code	Type No	Rating	Major Functions
Lamp AS	3612625300	Lamp Holder: 4000 series	75W, 125V	Power is applied to the lamp to turn up the light in the drum when the door is opened.
		Lamp Base: E12	15W, 125V	
Switch Door	3619047700	SPE110F-1D3	7.5A 125V / 5A 250V AC	
Thermistor Fan	361AAAAC20	CWT-DEW-1C18-A	5V R40=26.065KΩ R90=4.4278KΩ	Thermistor fan senses the temperature of exhaust air and turns on/off the heater if the temperature is higher/lower than the set temp.
Switch Micro	3619047500	GSM-V1622A2	125V/250V 16A N-C	Switch micro detects a loosened or broken belt so as to block power to the motor.
Heater	3612802500	TGE-24050H	120V/2500W, 240V/5000W, Ni/Cr	2 2500-W heaters, consisting of Ni/Cr coils, are connected in a parallel circuit.
Motor Dryer	36189L5D00	S58NXSDD-6989	120V 60Hz 5.9A CL.B	The motor rotates the drum to dry laundry evenly and the fan to expel wet air.
Thermostat Fan	3619047900	PW3N	85off 75on 125V/15A 250V/7.5A	The fan detects excessively hot temperatures and turns off the motor as well as the heater in order to prevent clothes from discoloration.
Thermostat Hi-Limit	3619047600	60T11	125 Off 94 On 125V/25A 250V/25A	The control turns off the heater if the temperature achieves 125 to prevent overheating and on again if 94.
Thermostat cut-out	3619047800	PW3V	140Off -30On 125V/25A 250V/25A	This part is a non-resettable safety device that prevents overheating in case of unusual conditions such as a clogged lint filter or outlet duct.

❑ Electric Parts List - Gas Clothes Dryer

Part Name	Part Code	Type No	Rating	Main function
Lamp AS	3612625300	Lamp Holder: 4000 series	75W, 125V	Power is applied to the lamp to turn up the light in the drum when the door is opened.
		Lamp Base: E12	15W, 125V	
Switch Door	3619047700	SPE110F-1D3	7.5A 125V / 5A 250V AC	
Thermistor Fan	361AAAAC20	CWT-DEW-1C18-A	5V R40=26.065K Ω R90=4.4278K Ω	Themistor fan senses the temperature of exhaust air and turns on/off the heater if the temperature is higher/lower than the set temp.
Switch Micro	3619047500	GSM-V1622A2	125V/250V 16A N-C	Switch micro detects a loosened or broken belt so as to block power to the motor.
Unit Steam AS	3619606700	MSS13	120V 60Hz 1300W	The followings are the main advantages of STEAM UNIT AS: Wrinkle remover, static-free, protection against odour in clothes.
Motor Dryer	36189L5D00	S58NXSDD-6989	120V 60Hz 5.9A CL.B	The motor rotates the drum to dry laundry evenly and the fan to expel wet air.
Igniter AS	36189L5800	DC033	120V 60Hz 4.0A	When power is supplied, igniter is heated to 980°C (1800 °F) within 30 seconds to ignite gas.
Flame Sensor	3614825700	10RS 43828	120V 60Hz 5.75A	When heat source is detected, contact point is opened within 12 ~ 20 seconds to turn off igniter before gas ignition. When heat source is extinguished, contact point is closed within 26 ~ 40 seconds.
Thermostat Hi-Limit	3619047610	60T21	95°C Off, 70°C On 125V/25A 250V/25A	To prevent overheating around burner during normal operation, power line of flame sensor is cut off when the temperature detected reaches 95°C and is restored when the temperature falls below 70°C.
Thermostat Cut-Out	3619047810	PBR-380 N110	110°C Off, -35°C On 125V/15A 250V/7.5A	Overheating around burner is prevented under abnormal conditions, such as of lint filter or exhaust pipe blocking (manual restoration possible by pressing knob after operation commences).
Valve Gas AS	3615417200	"DEGB-1011, LPG"	2.0~3.5 kPa, 120V 0.07A	LPG gas is supplied or blocked off.
Valve Gas AS	3615417300	"DEGB-1011, LNG"	1.0~3.5 kPa, 120V 0.07A	LNG gas is supplied or blocked off.

* Parts surrounded by dotted line are exclusively for gas dryer. Other parts are common parts for electric/ gas dryer.

Thermostat Fan

Part Code : 3619047900

1. Function

- This is a bimetal-type switch which protects the clothes from damage by overheating.
- If the exhaust air is too hot, this thermostat stops the motor and after the air is cooled down, it restarts the motor.



2. Specification

- A bimetal thermostat with the terminals normally connected
- Electric rating : 15A at 125V
- Opening temperature : $85\pm 5^{\circ}\text{C}$, Closing temperature : $70\pm 5^{\circ}\text{C}$
- Type name : PW-3N

3. Checking method of mal-function

- If temperatures are normal, the terminals of this part are connected to each other.
- Put the round metal part into boiling water and check if the resistance between the terminals drops to 0.3 or below.
- Put the same part into cold water and check if the terminals are opened.
- If the terminals do not react as mentioned above, replace them.

4. Procedure of replacement

- ① Plate Top remove
- ② Panel F Ass'y remove
- ③ Cabinet Front Ass'y remove
- ④ Frame Upper remove
- ⑤ Drum Ass'y remove
- ⑥ check the position of the part
- ⑦ Remove the wires and screws to disassemble the part.
- ⑧ Assemble the parts in reverse order.

Thermostat Fan



Thermostat Cut-Out

Part Code : 3619047800

1. Function

- This is a bimetal-type switch which protects the heater from overheating.
- If the heater is overheated abnormally, this thermostat cuts off the heater PERMANENTLY.
- Note that this thermostat is NON-RESETTABLE; if it is opened, it should be replaced by new one.



2. Specification

- A bimetal thermostat with the terminals normally connected
- Electric rating : 25A at 125V
- Opening temperature : $140\pm 5^{\circ}\text{C}$, Closing temperature : -35°C
- Type name : PW-3N

3. Checking method of mal-function

- If temperatures are normal, the switch is not opened.
- If the switch is opened (the resistance between the terminals is 100M or higher), replace it.
- Note) The switch is resettable under -35°C but the temperature can not be achieved in a household refrigerator.

4. Procedure of replacement

- ① Remove the back cover.
- ② Check the position of the part.

Thermostat Cut-out



- ③ Remove the wires and screws to disassemble the part.
- ④ Assemble the parts in reverse order.

Thermostat Hi-Limit

Part Code : 3619047600

1. Function

- This is a bimetal-type switch which controls the heater operation.
- If the heater is too hot, this thermostat stops the heater and after the heater is cooled down, it restarts the heater.



2. Specification

- A bimetal thermostat with the terminals normally connected
- Electric rating : 25A at 125V
- Opening temperature : $125\pm 4^{\circ}\text{C}$, Closing temperature : $94\pm 5.5^{\circ}\text{C}$
- Type name : 60T

3. Checking method of mal-function

- After 3 minutes of the air dry program, the terminals of this part are connected to each other.
- Press the power and start buttons while you push the door switch after opening the door.
- Check if the heater operates after the drum starts rotating.
(To do this, check if the heater turns red or feel warm air in the drum with your hands).
- If the heater operates, run the air dry program for more than 3 minutes after closing the door.
- Switch off the power and measure the resistance between the terminals. If the value is greater than 1, replace the switch.

4. Procedure of replacement

- ① Remove the back cover.
- ② Check the position of the part



- ③ Remove the wires and screws to disassemble the part.
- ④ Assemble the parts in reverse order.

Lamp Assembly

Part Code : 3612625300

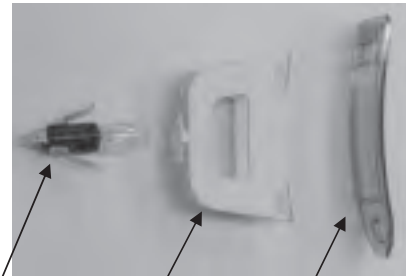
1. Function

- This is a lamp assembled with its bracket and window.
- If the user opens the door, the door switch gives electric power to this lamp and it turns on.



2. Specification

- An assembly of an electric lamp, bracket and window.
- Power consumption : 15W at 120V
- Type name : TGE-12015L



Lamp

Bracket

Window

3. Checking method of mal-function

- The lamp is turned on when the door is opened.
- Run the dryer by pressing the power and start buttons.
- As the drum begins rotating, check if the lamp is turned on after opening the door.
Cf) If the drum does not rotate, check the door switch, belt switch, and thermostat fan.
- If the lamp is still off, remove panel f ass'y and check if 120v voltage is applied to the lamp.
- If the lamp is off even though the 120v voltage is being applied, replace the lamp.
Cf) If 120v voltage is not applied to the lamp, replace the door switch.

4. Procedure of replacement

- ① Plate Top remove
- ② Panel F Ass'y remove
- ③ Cabinet Front Ass'y remove
- ④ Remove the wires and screws to disassemble the part.
- ⑤ Assemble the parts in reverse order.

Lamp Ass'y



Loosen the screws from the inside of the drum.



- ⑦ Remove the wires and screws to disassemble the part.
- ⑧ Assemble the parts in reverse order.

Switch Door

Part Code : 3619047700

1. Function

- This is a switch that checks whether the door is open or closed.
- If the user opens the door, this switch disconnects power supply to the motor and turns the lamp on.
- If the user closes the door, this switch connects power supply to the motor and turns the lamp off.



2. Specification

- A push switch - stroke 70mm, three terminals
pushed-down : COM and NO are connected (NO are connected to motor)
free state : COM and NC are connected (NC are connected to door lamp)
- Electric rating : 7.5A 125V
- Type name : SPE110F

CIRCUIT CHARACTERISTICS			
DIAGRAM	ARRANGEMENT		TERMINALS
	WITH BUTTON AT FREE STATE	WITH BUTTON TO PUSH DOWN	3
	1-3	1-2	
	ON	(ON)	

3. Checking method of mal-function

- This switch applies power to the motor when the door is closed and to the lamp when the door is opened.
- Run the dryer by pressing the power and start buttons.
- As the drum begins rotating, check if the lamp is turned on after opening the door.
- If the drum does not rotate, check the door switch contact.
Cf) Check a belt switch and thermostat fan also for the problem.
- If the lamp is still off while the drum is running, remove panel f ass'y and check if 120v voltage is applied to the lamp.
- If 120v voltage is not applied to the lamp, replace the door switch.
Cf) If the lamp is off even though the 120v voltage is being applied, replace the lamp.

4. Procedure of replacement

- ① Plate Top remove
- ② Panel F Ass'y remove
- ③ Cabinet Front Ass'y remove

Door Switch



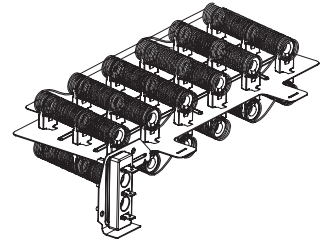
- ④ Remove the wires. Press both ends of the switch and pull.
- ⑤ Assemble the parts in reverse order.

Heater Assembly

Part Code : 3612802500

1. Function

- This is an assembly that heats air in the drum.
- Two 2500-W upper/lower heaters are connected in a parallel circuit, producing 5,000W
- According to the program set, either one or two heaters operate.



2. Specification

- Two heaters with the same specification are connected in a parallel circuit.
- Single heater: Ni/Cr wire 0.8mm, 6 coil turns, 2500W rated output based on 240V
- Electric rating : 240V 5000W (2500W x 2)
- Type name : TGE-24050H

Heater A (upper)

Heater B (lower)



3. Checking method of mal-function

- Check if the resistance of both ends is 17.3~25.9.
(For your safety and accurate measurement, check the resistance after running 'Dry Air' program for more than 5 minutes).
- If the resistance is beyond the range, replace the heater.
- Do not use a heater of which the coils have too narrow width or drooped excessively.

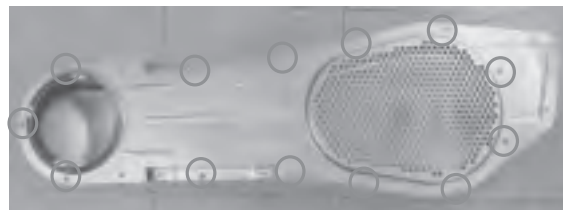
4. Procedure of replacement

- ① Remove the cover back.
- ② Remove the wires of duct inlet ass'y and screws to disassemble the part.

○ Loosen the 4 screws as indicated with a circle.



- ③ Remove all screws of duct inlet ass'y and detach the duct inlet front.



- ④ Remove the heater and install a new one.

Heater Ass'y



- ⑤ Assemble the parts in reverse order.

Belt Switch (Switch Micro)

Part Code : 3619047500

1. Function

- The switch cuts the power supply to the motor when a belt is broken.
- The switch is on when the belt has adequate tension but off when the belt gets loosened or broken, blocking the power supply to the motor.



2. Specification

- Micro switch with two terminals, NC (normally closed) type
free state : COM and NO are connected
pushed down : COM and NC are disconnected
- Electric rating : 250V 16A 1/2HP
- Type name : GSM-V1622A2

3. Checking method of mal-function

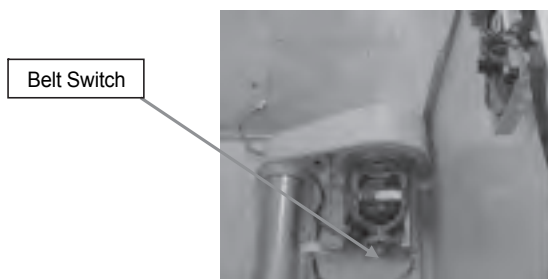
- The switch is in normal operation if the drum rotates.
- Start the unit and check if the drum operates.
- If the drum fails to rotate, press the power button to stop the dryer and then again to check if the motor runs.
- If you can not hear the running of the motor, disassemble the dryer and check the belt switch contact.
- Press the lid of the belt switch. If the resistance between contacts is greater than 1, replace the belt.



Normal belt - switch lid free



Damaged belt - switch lid pressed by the sp



4. Procedure of replacement

- ① Plate Top remove
- ② Panel F Ass'y remove
- ③ Cabinet Front Ass'y remove
- ④ Frame Upper remove
- ⑤ Drum Ass'y remove
- ⑥ Check the position of the part.
- ⑦ Remove wires and 2 screws that fix the switch.
- ⑧ Assemble the parts in reverse order.

Thermistor Fan

Part Code : 361AAAAC20

1. Function

- The fan senses the temperature of exhaust air.
- The higher the temperature is, the smaller the resistance is.

2. Specification

- Thermistor with following temperature-resistance characteristic.
 - at 90°C : R = 4.43 kΩ
 - at 40°C : R = 26.07 kΩ
- Type name : CWT-DWE-1C18-A



3. Checking method of mal-function

- If the resistance between terminals is within the adequate range, the fan is in normal operation.
- You can test the resistance of the thermistor as follows.
 - Put the metal rod into cold water (10~20°C): 40 within 30 seconds
 - Put the metal rod into boiling water (95~100°C): 4 within 30 seconds
- If 'H2' error is displayed when you press the power and start button, the thermistor is not connected so replace it.

4. Procedure of replacement

- ① Plate Top remove
- ② Panel F Ass'y remove
- ③ Cabinet Front Ass'y remove
- ④ Frame Upper remove
- ⑤ Drum Ass'y remove
- ⑥ Check the position of the part.

Thermistor Fan



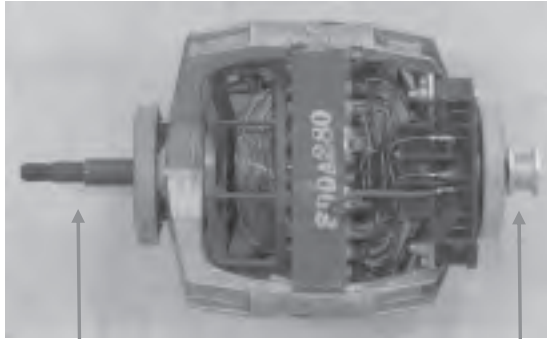
- ⑦ Remove wires and 1 screw to detach the part.
- ⑧ Assemble the parts in reverse order.

Motor Dryer

Part Code : 36189L5D0

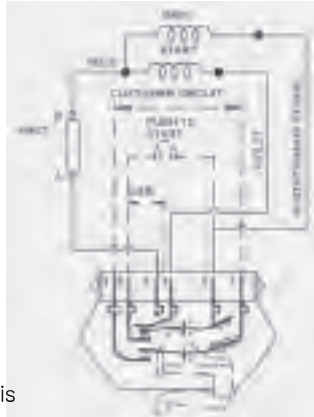
1. Function

- The motor rotates the drum using the belt as well as the fan to expel wet air.
- This is a shunt AC motor. When the motor begins to run, a centrifugal switch shorts out the operation coil.
- The centrifugal switch also supplies power to the heater. Thus, if the motor stops, the heater goes off also.



Fan connection axis

Belt operation axis



Inner wiring



Belt assembly

2. Specification

- Shunt type 1/3 HP AC motor with centrifugal switch
- Rotational speed : more than 1600 rpm with load
- No load : 190W, 4.9A at 120V
- Full load : 555W, 6.1A at 120V
- Type name : S58NXSDD-6989

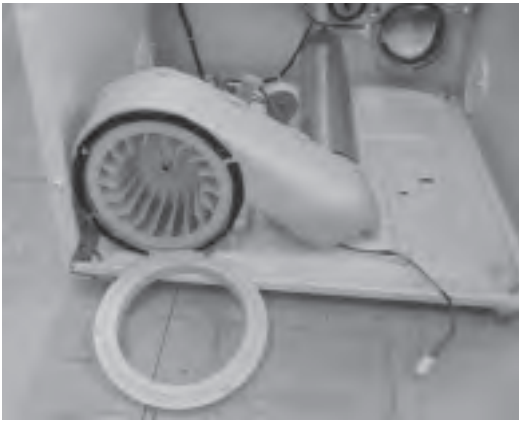
3. Checking method of mal-function

- If the drum rotates and exhaust air is expelled as soon as you start the unit, the motor is in normal operation.
- If the drum fails to rotate;
 - ① Remove Plate T and check if the belt is damaged.
 - ② Check if the door switch is in normal operation.
 - ③ Remove the drum and check the thermostat fan.
 - ④ Check the belt switch.
 - ⑤ Run the unit while you press the lid of the belt switch and see if the motor starts operating.
- If a fault is found in any part mentioned above, replace it and check the operation of the motor (5).
- If no fault is found but the motor still fails to operate, replace the motor.

4. Procedure of replacement

- ① Plate Top Remove
- ② Panel F Ass'y Remove
- ③ Cabinet Front Ass'y Remove
- ④ Frame Upper Remove
- ⑤ Drum Ass'y Remove
- ⑥ Cover Fan Remove

- ⑤ Drum Ass'y remove
- ⑥ Cover Fan remove



- ⑦ Remove the cover fan and 3 screws.
- Loosen the 3 screws as indicated with a circle.



- ⑧ Remove the 4 screws and the motor ass'y.
- Loosen the 3 screws as indicated with a circle.



- ⑨ Remove wires and 2 clamps that fix the motor bearing to detach the motor.
- ⑩ Assemble the parts in reverse order.

Igniter As

Part Code : 36189L5800

1. Function

- Igniter for fuel gas ignition.
- Igniter heats up quickly when power is supplied. If fuel gas is injected to the surrounding area of igniter, gas is ignited by the heat of igniter.



2. Specification

- A heating element made by Silicon Carbide
- Electric rating : 120V 4.0A (steady-state current)
- Temperature rating : reaches 1800°within 30 seconds
- Type name : DC033

3. Checking method of mal-function

- Igniter is heated up to very high temperature. Therefore, extreme caution is required in handling to prevent burn.
- At room temperature, resistance between two terminals of this part is generally between 300~400Ω
- Part is defective if resistance between terminals measured after separating cable connected to igniter is 2500Ω or less.
- Part is defective if cracks are found when separating igniter and closely observing the surface.
- In two of the above conditions, igniter is defective, therefore needs to be replaced.

4. Procedure of replacement

- ① Plate Top Remove
- ② Panel F Ass'y Remove
- ③ Cabinet Front Ass'y Remove
- ④ Frame Upper Remove
- ⑤ Drum Ass'y Remove
- ⑥ Cover Fan Remove
- ⑦ Separate the connected cable and unfasten 1 screw to separate parts.
- ⑧ Assemble part in reverse order of the above procedures.

Laniter As

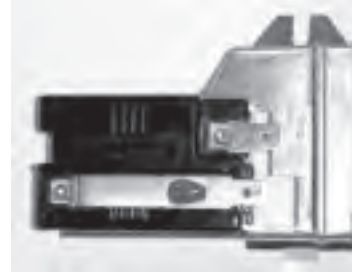


Flame Sensor

Part Code : 3614825700

1. Function

- Sensor flame is the switch that operates by detecting fuel gas ignition or heating of igniter.
- Contact point is opened when sufficient radiant heat is detected through the transparent window at the bottom of sensor.
- When igniter is sufficiently heated, this is detected to turn off igniter. Then, state of internal contact point is continuously maintained to be off by combustion heat of the ignited gas.
- When gas supply is cut off, state of internal contact point becomes 'on' again so that to enable re-ignition by igniter.

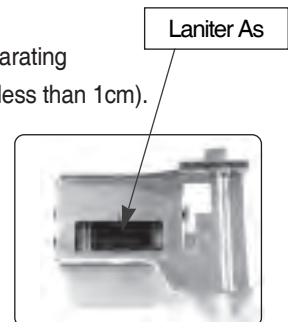


2. Specification

- A bi-metal switch that is operated by radiation heat
- Electric rating : 120V 5.75A
- Operation : opened within 12~20 seconds after suitable radiation starts heating it.
closed within 26~30 seconds after radiation heat disappears.
- Type name : 10RS

3. Checking method of mal-function

- At room temperature, there is the state of short between two terminals of this part.
- Part is defective if resistance between terminals measured after separating cables connected to sensor flame is 1Ω or more.
- Part is defective if the area between terminals is not opened 30 seconds after separating sensor flame and holding flame of lighter near transparent window at the bottom (less than 1cm).
 - Flame of lighter must be as long as the length of transparent window and the flame must not be in direct contact with transparent window.
 - Transparent window of sensor flame must be kept clean at all times to enable normal operation.
- Part is defective if resistance between terminals is not 0.3Ω or less within 50 seconds after removing the flame of lighter.
- In three of the above conditions, sensor flame is defective, therefore needs to be replaced.



4. Procedure of replacement

- ① Remove plate top.
- ② Remove panel F ass'y.
- ③ Remove cabinet front ass'y.
- ④ Remove frame upper.
- ⑤ Remove drum ass'y.
- ⑥ Check attachment position.
- ⑦ Separate the connected cable and unfasten 1 screw to separate parts.
- ⑧ Assemble part in reverse order of the above procedures.



Thermostat Hi-Limit

Part Code : 3619047610

1. Function

- This is a bimetal-type switch which stops the burner overheating.
- If the burner is too hot, this thermostat shuts off the gas valves and after the burner is cooled down, it allows the gas valves to operate.



2. Specification

- A bimetal thermostat with the terminals normally connected
- Electric rating : 25A at 125V
- Opening temperature : 95°C, Closing temperature : 70°C
- Type name : 60T21

3. Checking method of mal-function

- After operating air dry program for 5 minutes or longer, the terminal status of this part must be short.
- Part is defective and to be replaced if resistance between terminals measured after separating cables connected to sensor flame is 1Ω or more.

4. Procedure of replacement

- ① Remove plate top.
- ② Remove panel F ass'y.
- ③ Remove cabinet front ass'y.
- ④ Remove frame upper.
- ⑤ Remove drum ass'y.
- ⑥ Check attachment position.
- ⑦ Separate the connected cable and unfasten 2 screws to separate parts.
- ⑧ Assemble part in reverse order of the above procedures.



Thermostat Cut-Out

Part Code : 3619047810

1. Function

- This is a bimetal-type switch which protects the burner from overheating.
- If the burner is overheated abnormally, this thermostat cuts off the gas valves PERMANENTLY.
- Note that this thermostat is MANUALLY-RESETTABLE; by pressing the knob on the top, this part is returned to reusable state.



2. Specification

- A bimetal thermostat with the terminals normally connected
- Electric rating : 15A at 125V
- Opening temperature : $110 \pm 5^{\circ}\text{C}$, Closing temperature : -35°C
- Type name : PBR-380

3. Checking method of mal-function

- In normal operation status, the area between terminals must not be opened.
- If it is opened (resistance between terminals 100M Ω or more), press knob at the top two or three times to restore.
- If resistance between terminals is 1 Ω or more after manual restoration, replace part as it is defective.
(This part is restored to be reused if placed at temperature of -35°C or lower. However, this is an extremely low temperature that cannot be reached with general refrigerator for household use. Therefore, it is effective to press knob for restoration.)

4. Procedure of replacement

- ① Remove plate top.
- ② Remove panel F ass'y.
- ③ Remove cabinet front ass'y.
- ④ Remove frame upper.
- ⑤ Remove drum ass'y.
- ⑥ Remove mixing venturi AS.

6 Mixing Venturi AS



7 Funnel



8 Thermostat Cut-Out



- ⑦ Unfasten 2 screws fixing funnel in position and separate all of the connected cables. Then, carefully take out funnel.
- ⑧ Remove 2 screws and separate thermostat cut-out.
- ⑨ Assemble part in reverse order of the above procedures.

Valve Gas As

Part Code : 3615417200, -7300

1. Function

- Valve gas AS supplies or blocks off fuel gas.
- 2 valves are horizontally connected to safely block off gas leakage.
- Each valve is solenoid value. Gas passed through this valve is injected after being stabilized to the prescribed output pressure in regulator.
- Therefore, even if input pressure of supplied gas changes, the prescribed amount of gas is stably supplied.



2. Specification

	Part Code	Type Name	Electric Rating	Input pressure	Output pressure
LPG	3615417200			2.0~3.5 kPa	2.24 kPa
LNG	3615417300	DEGB-1011	120V 60Hz 0.07A	1.0~3.5 kPa	0.87 kPa

* power input - rectified 120Vdc

3. Checking method of mal-function

- To check or replace valve gas AS, gas pipe must be locked in advance for safety.
- At room temperature, resistance between two terminals of each valve is 2.4~2.7 kΩ.
- Part is defective if resistance between terminal measured after separating cables connected to valve gas AS is 2.0Ω or less or 3.0 kΩ or more.

4. Procedure of replacement

- ① Remove plate top.
- ② Remove panel F ass'y.
- ③ Remove cabinet front ass'y.
- ④ Remove frame upper.
- ⑤ Remove drum ass'y.
- ⑥ Remove 2 screws fixing pipe AS in position.
- ⑦ Remove 4 screws fixing pipe AS on to guide bunner.
- ⑧ Separate the connected cable and unfasten 1 screw to separate parts.
- ⑨ Assemble part in reverse order of the above procedures..

6 Pipe AS



7 Guide Buner



DISMANTLING METHOD PER DRYER ASS'Y

PANEL FRONT ASS'Y

1. Remove left cap and unfasten screw.



2. Separate panel front. (CAUTION : Internal hook damage attention)



PLATE TOP ASS'Y

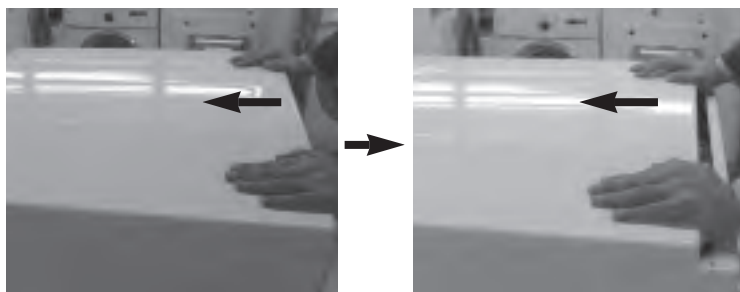
1. Remove 3 screws at the front.



2. Remove 4 screws at the back.



3. Separate plate top by pushing it at the front part in the direction of arrow.



CABINET FRONT ASS'Y

1. Remove 4 screws at the top.



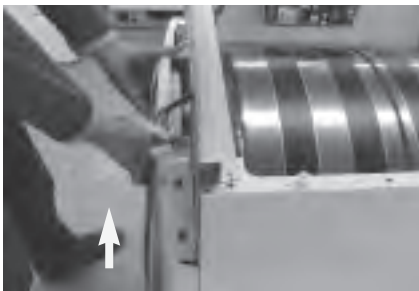
2. Remove filter.



3. Remove 3 screws.



4. Lift cabinet front in the direction of arrow and pull it forward.



5. Remove door switch connector.



FRAME UPPER

1. Remove 2 screws from left and right in front part.



2. Remove 2 screws from left and right at the top.



3. Separate frame upper after removing harness at the back.



SEPARATION OF LAMP, PCB MAIN CONNECTOR

1. Separate lamp connector.



2. Separate main PCB connector.



3. Separate humidity sensor connector.



PCB MAIN

1. Remove 2 screws.



3. Separate frame upper after removing harness at the back.

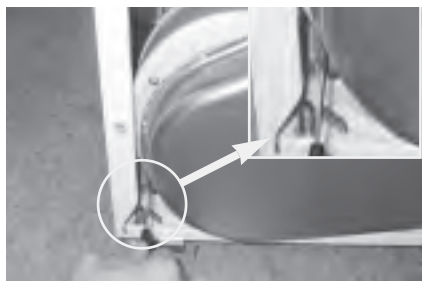


DUCT OUTLET ASS'Y

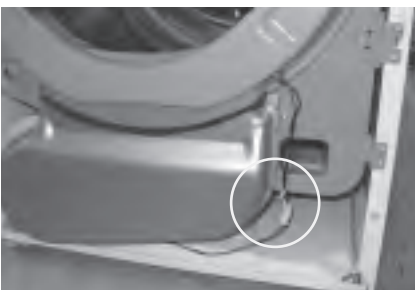
1. Remove 2 left and right screws.



2. Remove 1 screw.

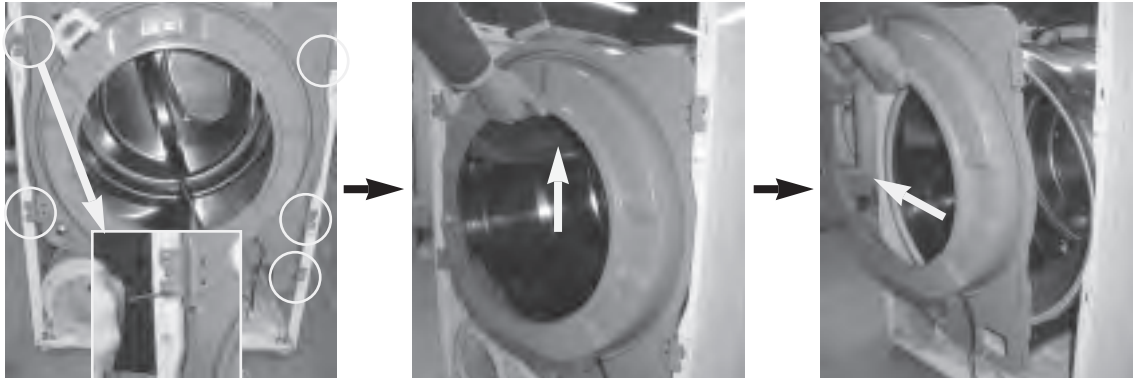


3. Remove duct outlet F in the direction of →



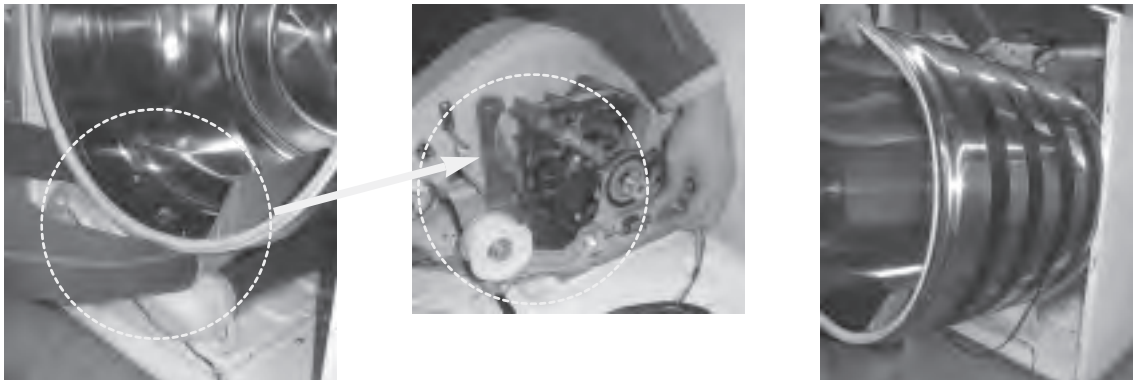
SUPPORT DRUM FRONT ASS'Y

1. Push up idler in the direction of arrow to remove belt. Then, separate belt and remove drum.



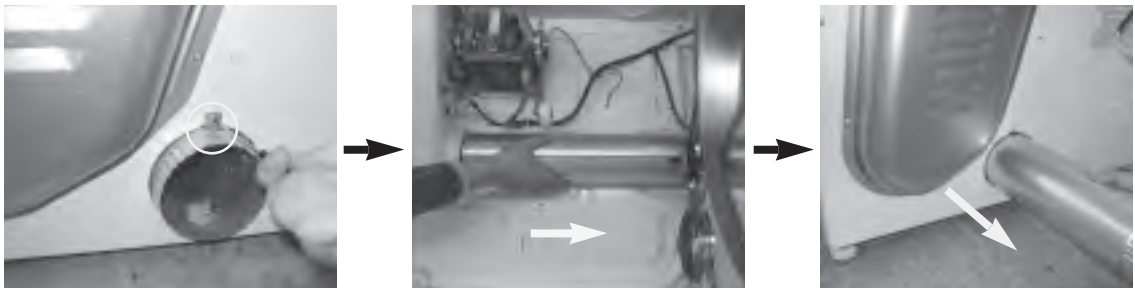
DRUM ASS'Y

1. Remove 1 rear screw and separate pipe exhaust in the direction of arrow.



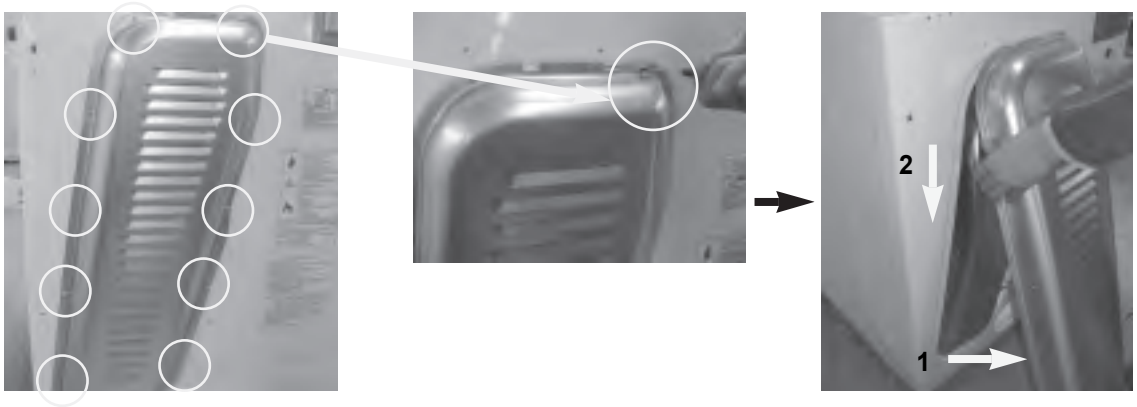
PIPE EXHAUST

1. Remove 1 rear screw and separate pipe exhaust in the direction of arrow.



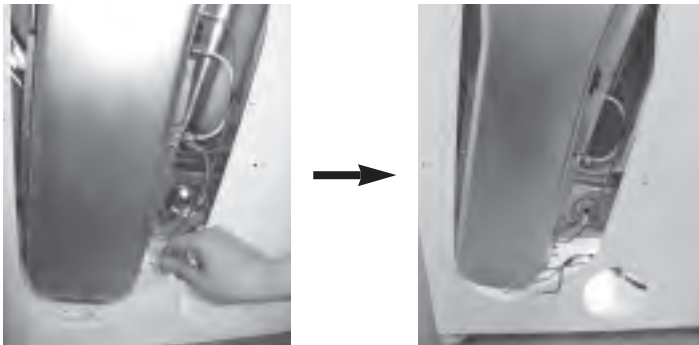
COVER BACK

1. Remove 10 screws.

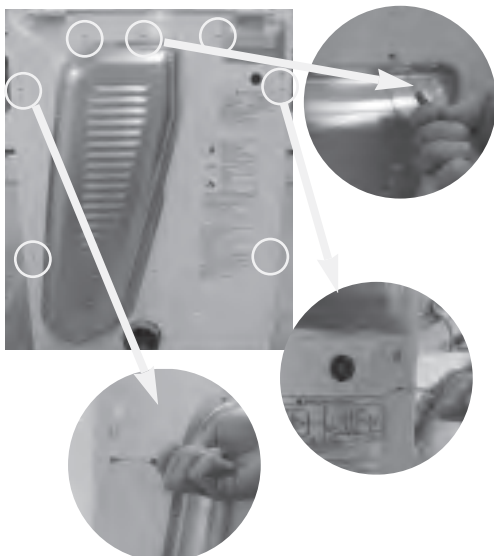


SUPPORT DRUM REAR ASS'Y

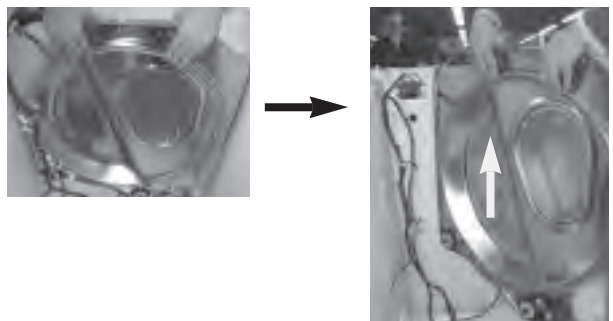
1. Remove heater terminal connection cable.



2. Remove 7 screws.

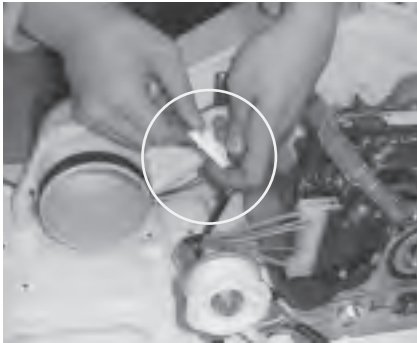


3. Remove support drum rear ass'y in the direction of →



MOTOR CONNECTOR

1. Separation of temperature sensor: Separate connector. → Remove 1 screw.



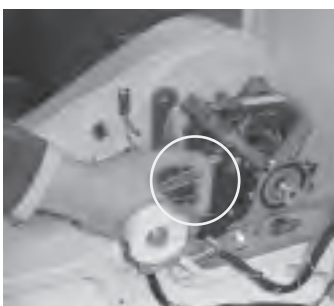
2. Separation of thermostat fan: Separate connector. → Remove 2 screws.



3. Separation of micro switch:



4. Separation of motor connector.



TERMINAL BLOCK

1. Remove cover terminal.

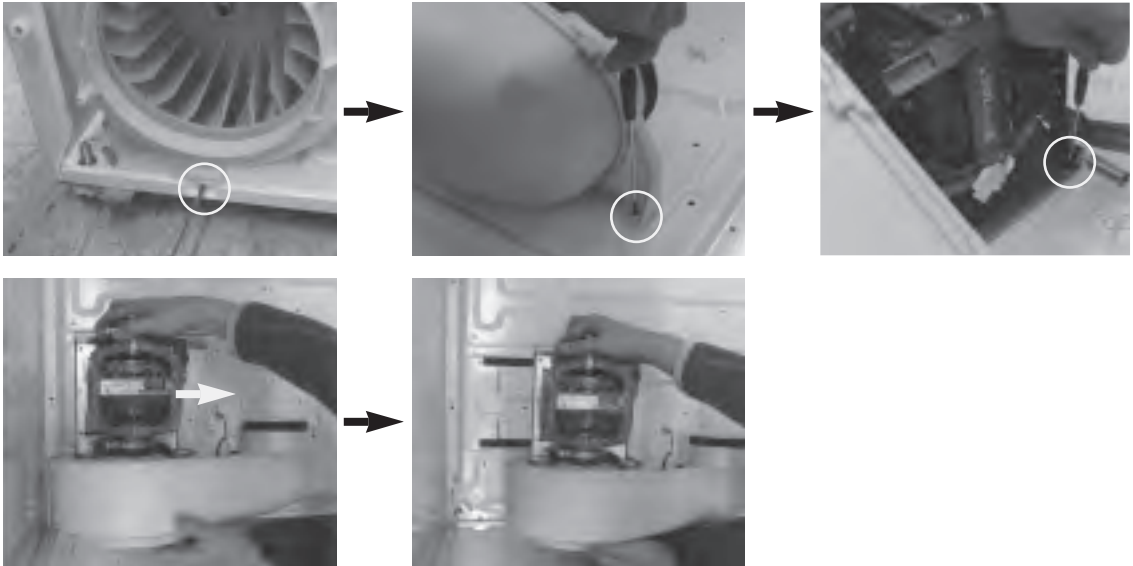


2. Remove 3 screws.

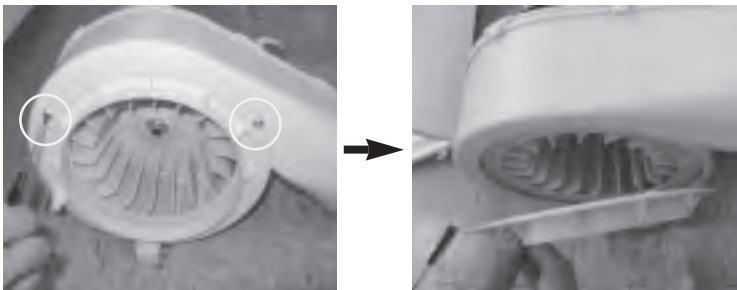


MOTOR ASS'Y

1. Remove 6 screws and separate motor ass'y.



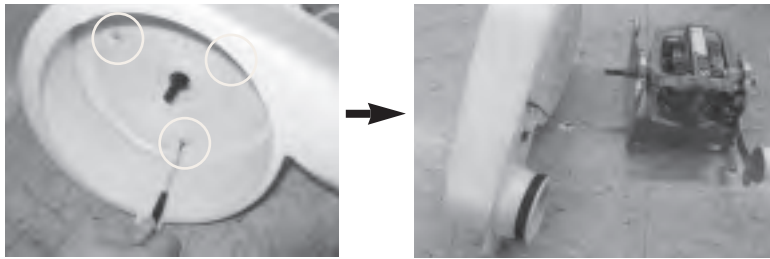
2. Separation of cover fan: Remove 2 screws.



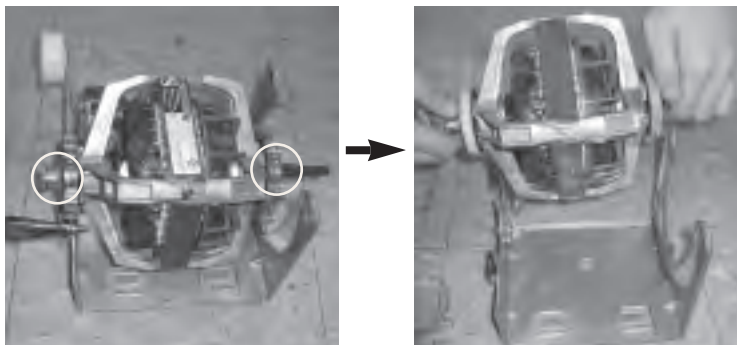
3. Separation of impeller fan: Fix motor axis and separate fan.



4. Dismantling of case fan: Remove 3 screws.



5. Dismantling of bracket motor: Remove 2 clamp motors each.



HEATER ASS'Y

1. Remove 4 screws.



2. Unfold 4 side fixing parts.



3. Remove thermostat 2 screws.

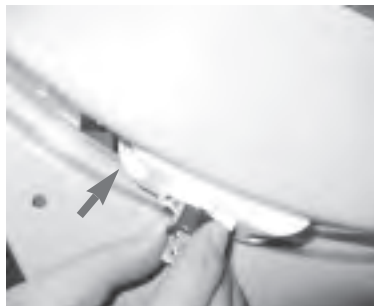
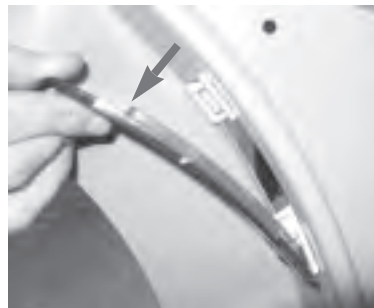


4. Remove 13 screws.



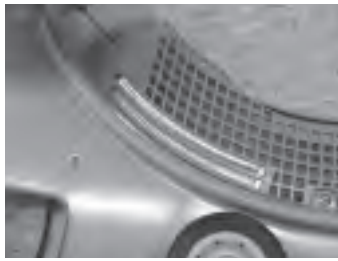
LAMP ASS'Y

1. Remove 1 screw.



FILTER DUST ASS'Y / HUMIDITY SENSOR

1. Filter dust ass'y: Remove 2 screws.

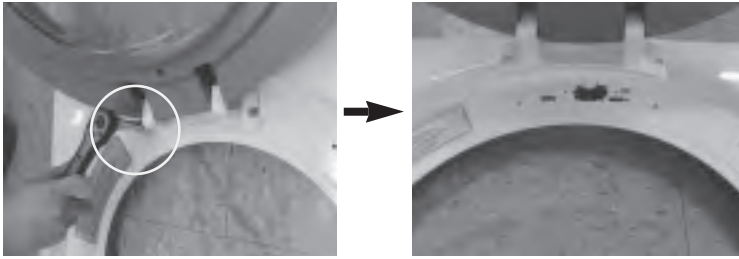


3. Remove H/S.

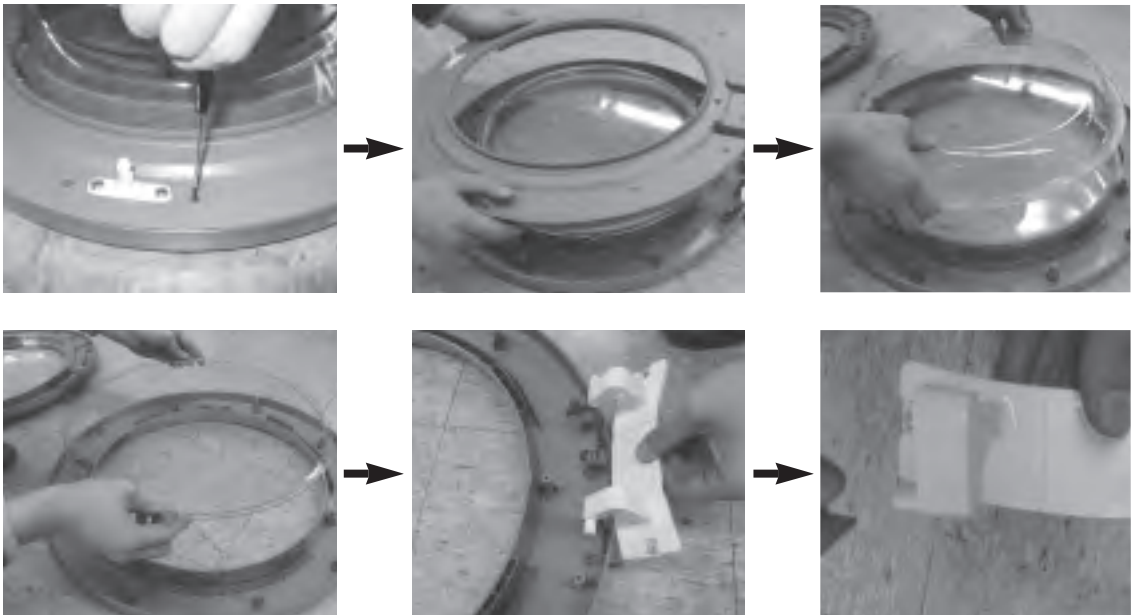


DOOR ASS'Y

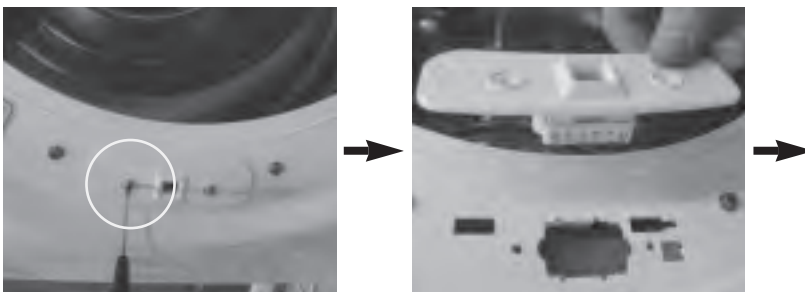
1. Separation of hinge and support drum front: Remove 2 screws.



2. Remove 13 screws.



3. Door lock ass'y: Separate door lock ass'y after removing 2 screws.

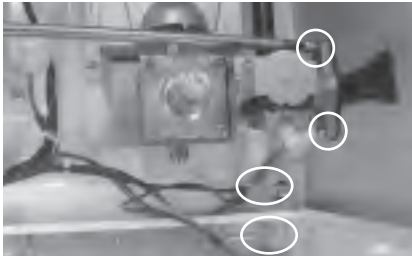


4. Door switch



GAS BURNER ASS'Y

1. Remove 6 screws. And separate 2 valve connectors.



2. Remove 1 screws at the back of cabinet.



3. Remove 2 screws and separate igniter connector.



3. Remove 2 screws after removing harness at thermostat Cut-Out, Hi-Limit.

