



Website:<http://www.LGService.com>  
E-mail:<http://www.LGService.com/techsup.html>

# WASHING MACHINE SERVICE MANUAL

## CAUTION

READ THIS MANUAL CAREFULLY TO DIAGNOSE  
PROBLEMS CORRECTLY BEFORE SERVICING THE UNIT.

**MODEL : WM2411HW / WM2011 HS  
WM2011HW / WM1811CW  
WM2432HW / WM2032 HS  
WM2032HW / WM1832CW**



---

# CONTENTS

1. SPECIFICATIONS .....	3
2. FEATURES & TECHNICAL EXPLANATION .....	4
3. PARTS IDENTIFICATION .....	6
4. INSTALLATION .....	7
5. OPERATION .....	10
6. WIRING DIAGRAM / PROGRAM CHART .....	13
7. TROUBLESHOOTING .....	15
7-1. BEFORE PERFORMING SERVICE .....	15
7-2. QC TEST MODE .....	15
7-3. HOW TO CHECK THE WATER LEVEL FREQUENCY .....	15
7-4. ERROR DISPLAY .....	16
8. ERROR DIAGNOSIS AND CHECK LIST .....	18
8-1. DIAGNOSIS AND SOLUTION FOR ABNORMAL OPERATION .....	18
8-2. FAULT DIAGNOSIS AND TROUBLESHOOTING .....	21
9. DISASSEMBLY INSTRUCTIONS .....	28
10. EXPLODED VIEW .....	36
10-1. CABINET & CONTROL PANEL ASSEMBLY .....	36
10-2. DRUM & TUB ASSEMBLY .....	37
10-3. DISPENSER ASSEMBLY .....	38

# 1. SPECIFICATIONS

ITEM		WM2411HW WM2432HW	WM2011HS / WM2011HW WM2032HS / WM2032HW	WM1811CW WM1832CW
POWER SUPPLY		120V ~ 60Hz		
PRODUCT WEIGHT		190 lbs. (86 kg)		
ELECTRIC POWER CONSUMPTION	WASHING	280W		235W
	DRAIN MOTOR	80W		
	WASH HEATER	1000W		—
REVOLUTION SPEED	WASH	42 rpm		
	SPIN	0-1200 rpm	0-1000 rpm	0-900 rpm
CYCLES		9	7	5
WASH / RINSE TEMPERATURES		6	5	4
SPIN SPEEDS		6	5	5
OPTIONS		Prewash, Stain Cycle, Quick Cycle, Extra Rinse, Rinse+Spin, Delay Wash		
CUSTOM PROGRAM		Incorporated		
WATER CIRCULATION		Incorporated		—
OPERATIONAL WATER PRESSURE		4.5–145 psi (30-1000 kPa)		
CONTROL TYPE		Electronic		
WASH CAPACITY		3.22 cu.ft (3.72 cu.ft.IEC)		
DIMENSIONS		27"(W) X 29 - <sup>1</sup> / <sub>2</sub> "(D) X 42 - <sup>3</sup> / <sub>4</sub> "(H), 49 - <sup>4</sup> / <sub>5</sub> "(D, door open)		
DELAY WASH		up to 19 hours	up to 12 hours	up to 9 hours
DOOR SWITCH TYPE		PTC + Solenoid		
WATER LEVEL		7 steps (by sensor)		
LAUNDRY LOAD SENSING		Incorporated		
ERROR DIAGNOSIS		Incorporated		
AUTO POWER OFF		Incorporated		
CHILD LOCK		Incorporated		

# 2. FEATURES & TECHNICAL EXPLANATION

## 2-1.FEATURES



■ **Direct Drive System**

The advanced Brushless DC motor directly drives the drum without belt and pulley.



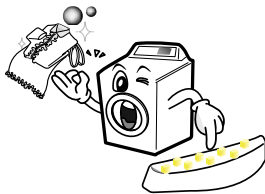
■ **Tilted Drum and Extra Large Door Opening**

The tilted drum and extra large door opening make it possible to load and unload easily.



■ **Water Circulation** (WM2411HW, WM2011HS, WM2011HW, WM2432HW, WM2032HS, WM2032HW)

Spray detergent solution and water onto the load repeatedly. Clothes are soaked more quickly and thoroughly during the wash cycle. Detergent suds are eliminated more easily by the water shower during rinse cycle. The water circulation system uses both water and detergent more efficiently.



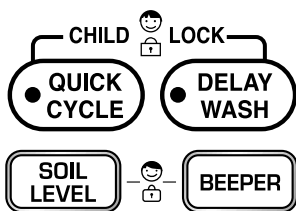
■ **RollerJets** (WM2411HW, WM2011HS, WM2011HW, WM2432HW, WM2032HS, WM2032HW)

The washing ball enhances wash performance and reduces damage to clothing. The jets spray and help tumble clothes to enhance washing performance while maintaining fabric care.



■ **Built-in Heater** (WM2411HW, WM2011HS, WM2011HW, WM2432HW, WM2032HS, WM2032HW)

The internal heater automatically heats the water to the optimum temperature on selected cycles.



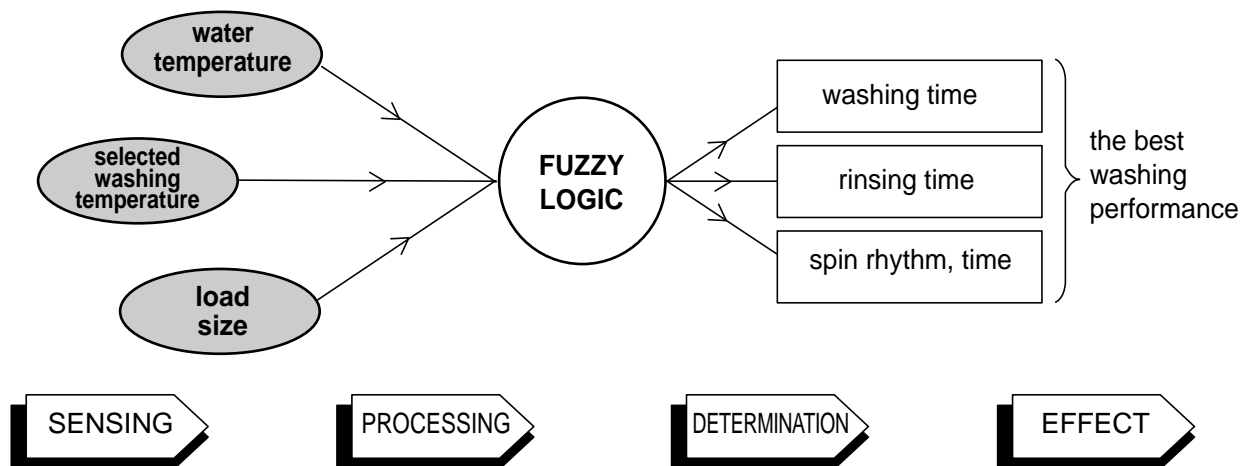
■ **Child Lock**

The Child lock feature prevents children from pressing any buttons to change the settings during operation.

---

## 2-2.FUZZY LOGIC WASHING TIME OPTIMIZATION

To get the best washing performance, optimal time is determined by the water temperature, the selected washing temperature, and the size of the load.



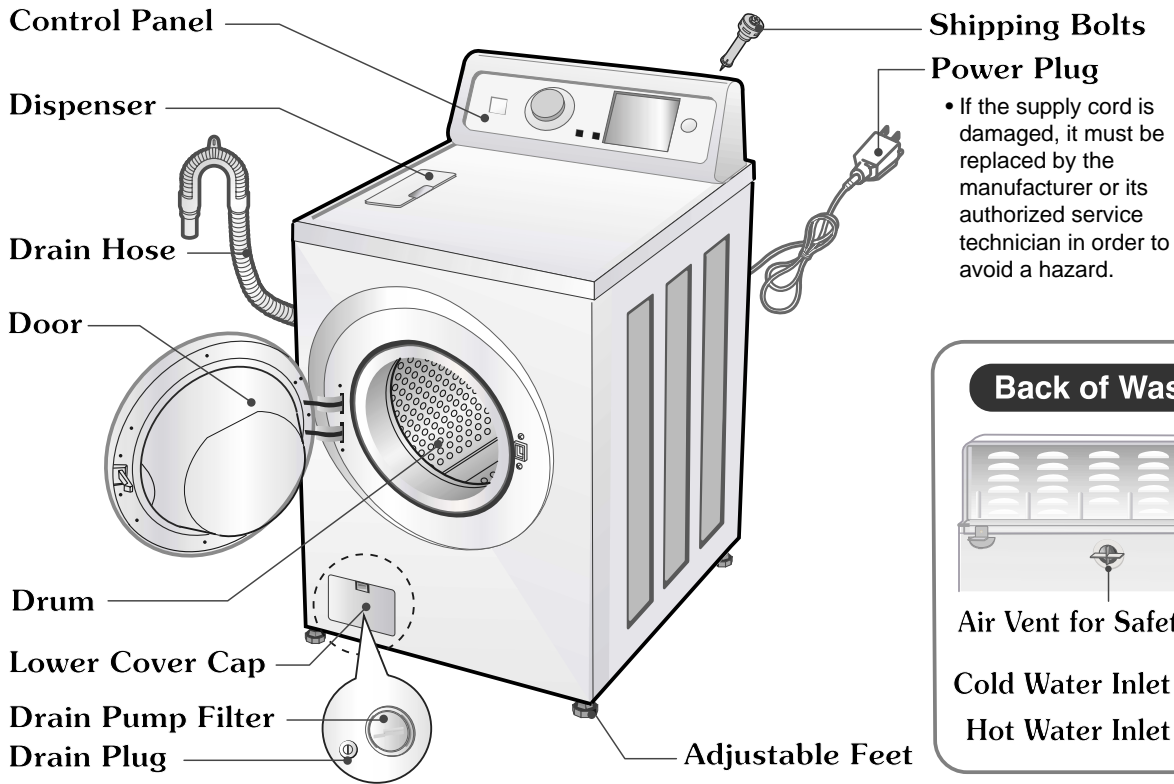
## 2-3.WATER LEVEL CONTROL

- This model incorporates a pressure sensor which can sense the water level in the tub.
- The water supply is stopped when the water level reaches the preset level, the washing program then proceeds.
- Spinning does not proceed until the water in the tub drains to a certain level.

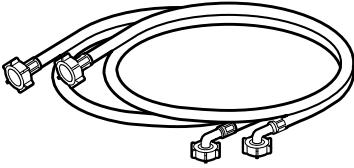
## 2-4.DOOR CONTROL

- The door can be opened by pulling the door handle whenever washer is not in operation.
- When the cycle is completed, the DOOR LOCKED light will turn off.
- If a power failure has occurred while in operation, the door will lock for 5 minutes.
- Clicking sounds can be heard when the door is locked / unlocked.

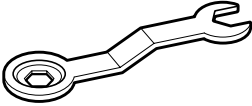
# 3. PARTS IDENTIFICATION



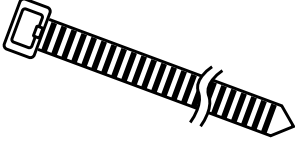
## ■ ACCESSORIES



Hot/Cold (1 each)  
Hose



Wrench



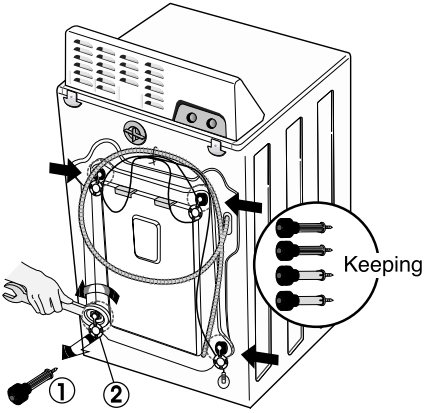
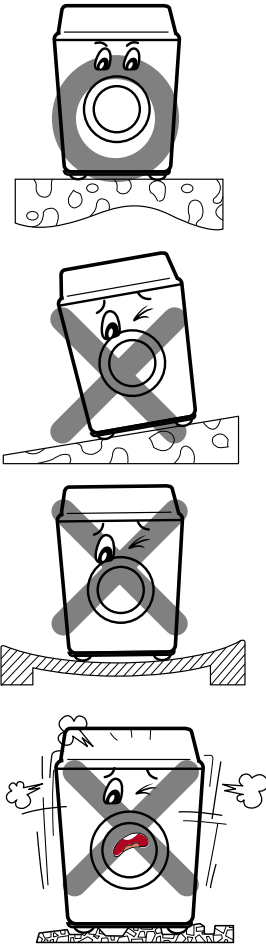
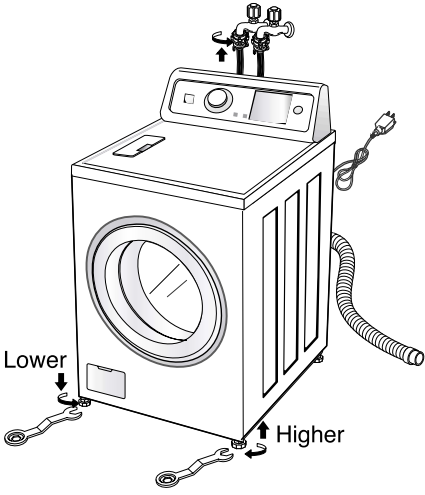
Tie strap  
to secure drain hose to standpipe,  
inlet hose, or laundry tub

# 4. INSTALLATION

- ① Before servicing, ask the customer what the trouble is.
- ② Check the setup (power supply is 120V AC, remove the transit bolts...).
- ③ Check with the troubleshooting guide.
- ④ Plan your service method by referring to the disassembly instructions.
- ⑤ Service the unit.
- ⑥ After servicing, operate the appliance to see whether it functions correctly.

## ■ STANDARD INSTALLATION

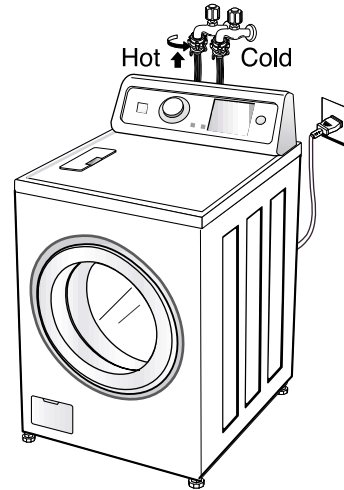
The appliance should be installed as follows:

REMOVE THE TRANSIT BOLTS	INSTALL THE APPLIANCE ON A FLAT AND FIRM SURFACE	ADJUST THE LEVELING
<ul style="list-style-type: none"> <li>• Remove the transit bolts (4 EA: ①) with the supplied wrench.</li> <li>• Keep the transit bolts and spanner for future use.</li> <li>• Insert the 4 caps (provided) into the hole.</li> </ul> 		<ul style="list-style-type: none"> <li>• Turn the leveling feet to adjust the appliance horizontally.</li> </ul>  <ul style="list-style-type: none"> <li>• The appliance goes up by rotating the feet clockwise.</li> <li>• The appliance come down by rotating the feet counterclockwise.</li> </ul>

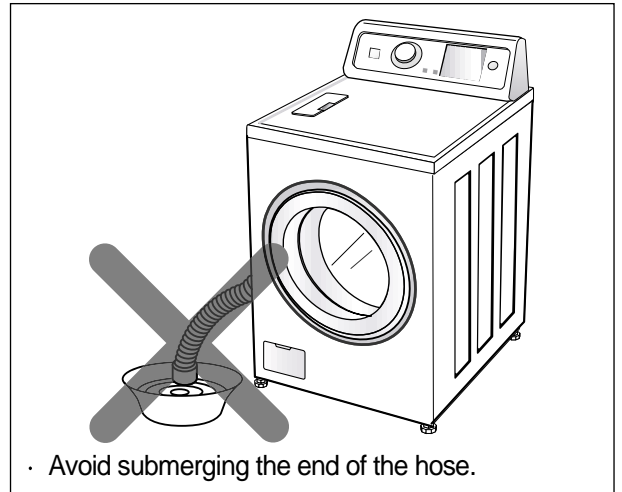
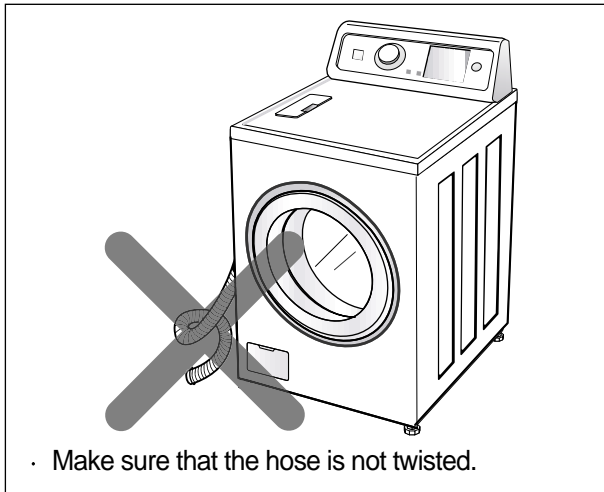


## ■ HOW TO CONNECT THE INLET HOSE

- Verify that the rubber washer is inside of the valve connector.
- Connect the inlet hose firmly to prevent leaks.

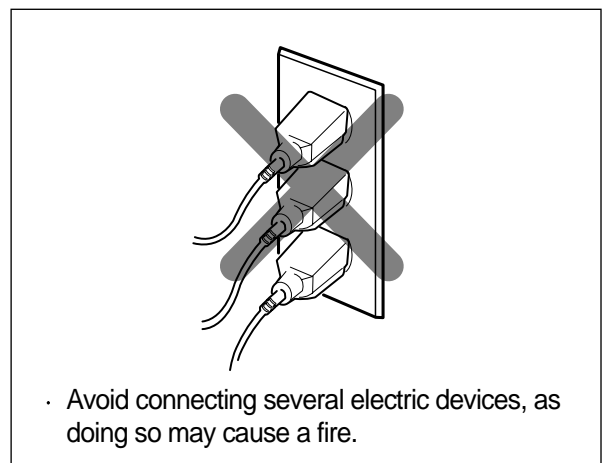
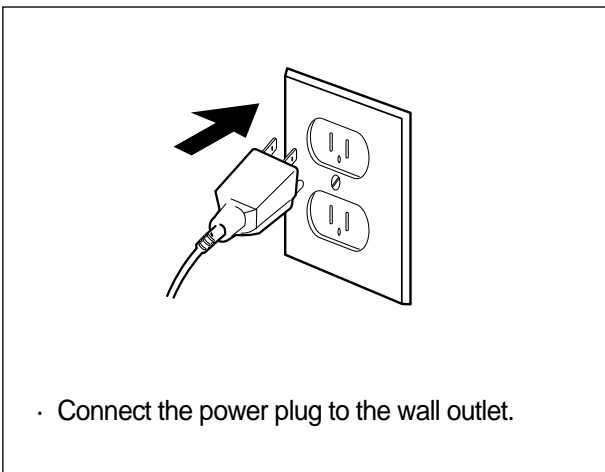


## ■ CONNECT THE DRAIN HOSE

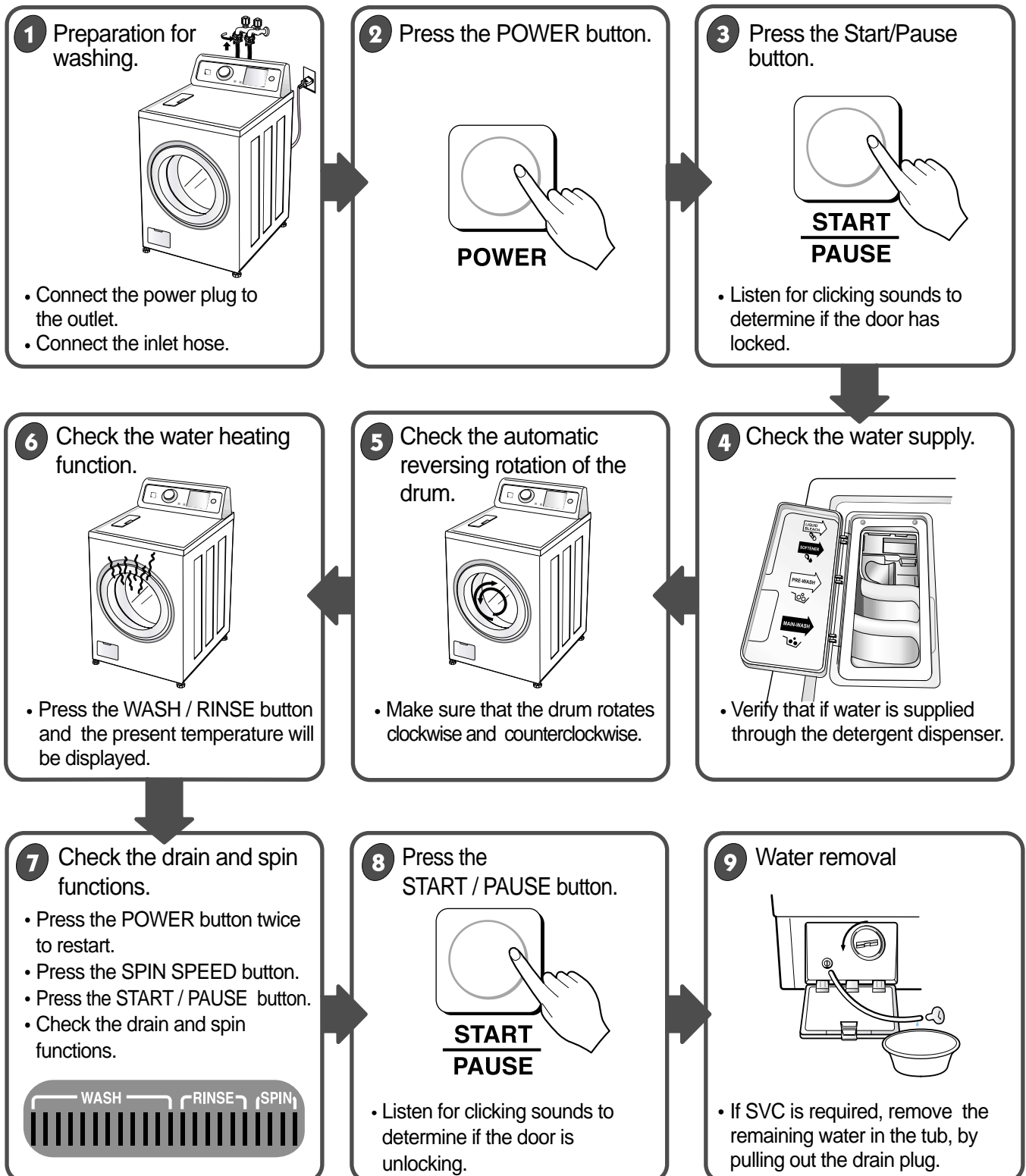


※ The end of the drain hose should be placed less than 96" from the floor.

## ■ CONNECT POWER PLUG



## 7 TEST OPERATION



# 5. OPERATION

## • POWER button

- Use this button to turn the power **On / Off**.

## • DOOR LOCKED lamp

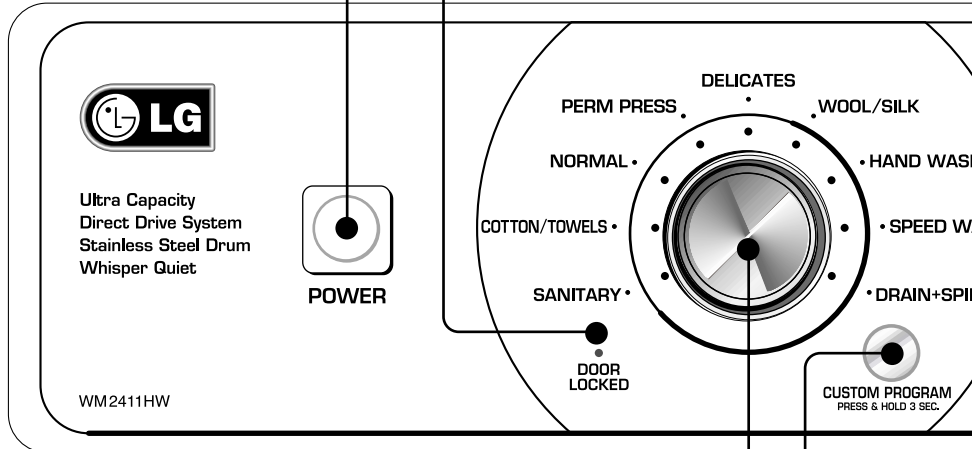
- Lights whenever the door is locked.
- The door can be unlocked by pressing the **Start / Pause** button to stop the washer.

## • BEEPER button

- Choose **High / Low**

## • CYCLE SELECTOR knob

- Rotate the **Cycle selector knob** to select the cycle designed for different types of fabric and soil levels.



## • CUSTOM PROGRAM button

- Allows you to store a customized wash cycle for future use.
- To create a **Custom Program** :
  - 1) Select a cycle.
  - 2) Select the other desired **Wash / Rinse Temp., Spin Speed, Soil Level**.
  - 3) Select the desired Options.
  - 4) Press and hold the Custom Program button for 3 seconds (2 beep sounds).
  - 5) Press the **Start / Pause** button.

The Custom Program is now stored for future use.
- To reuse the program, select **Custom Program** and press **Start / Pause**.

## • WASH / RINSE temp. SPIN SPEED, SOIL LEVEL

- Select a water temperature based on the load you are washing.
- To change the spin speed, select the **Spin Speed** button until the desired setting is displayed.
- To change the soil level, select the **Soil Level** button until the desired setting is displayed.

## button

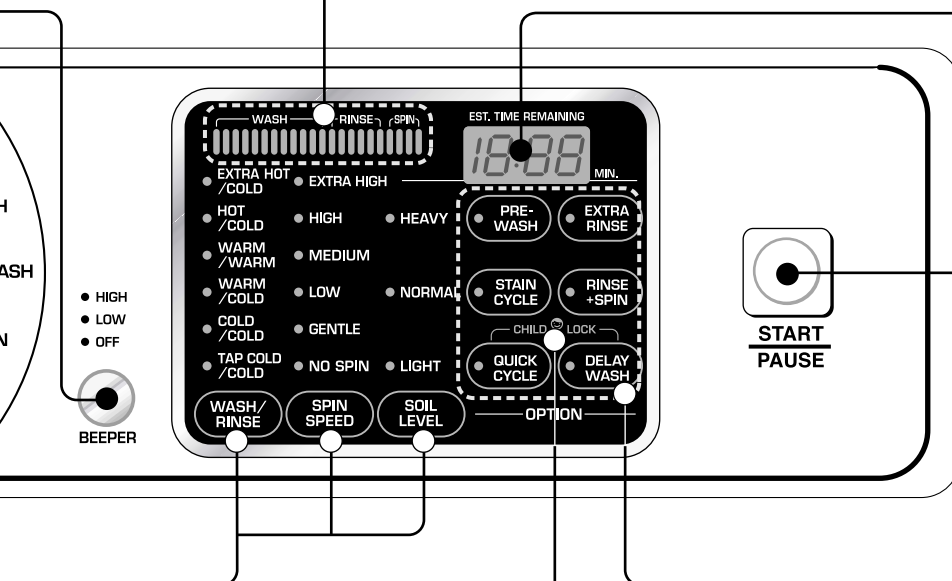
/ Off.

## • STATUS INDICATOR

- These lights show elapsed time of the selected cycle.

## • EST.TIME REMAINING

- This display shows :
  - a) the estimated time remaining in the cycle when operating.
  - b) an error code when an error has been detected.



## • START/PAUSE button

- Use this button to Start / Stop the washer.

## EL button

on the type of

e  
setting is

Soil Level  
displayed.

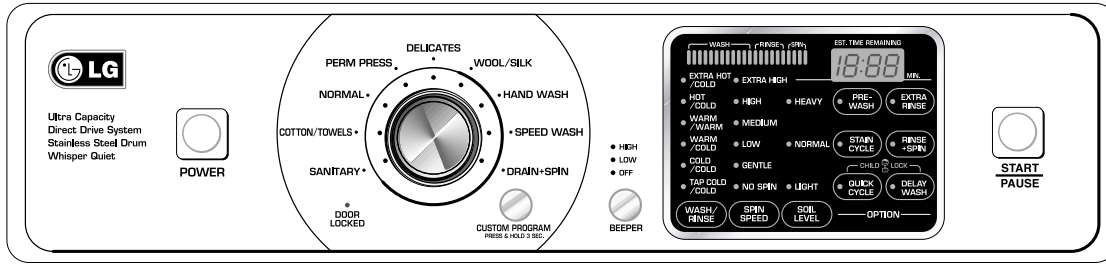
## • CHILD LOCK

- Use this option to prevent unwanted use of the washer. Press and hold Quick Cycle and Delay Wash button for 3 seconds to lock / unlock control.
- When Child lock is set, "CL" blinks and all buttons are disabled but the Power button. You can thereby lock the washer while it is operating.

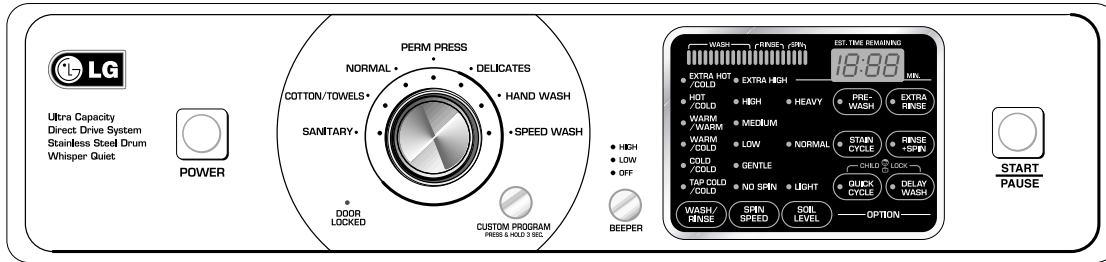
## • OPTION button

- **Prewash** : Use this option for loads that need pretreatment. It adds 16 minutes prewash and drain.
- **Stain Cycle** : Adds time to the wash and rinse cycles for better stain removal. Automatically provides a rinse.
- **Quick Cycle** : The Quick cycle offers a quick cycle time.
- **Extra Rinse** : This option provides an additional rinse cycle.
- **Rinse+Spin** : Use this option to rinse and then spin.
- **Delay Wash** : Allows the start of any cycle to be delayed for 1-19(12, 9) hours.

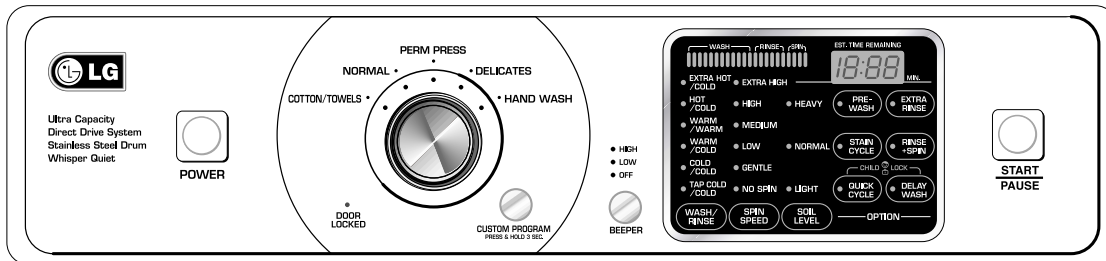
## WM2411HW



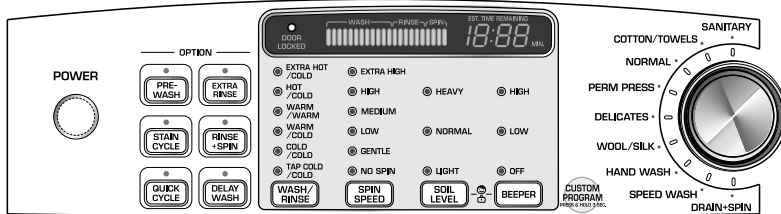
## WM2011HS / WM2011HW



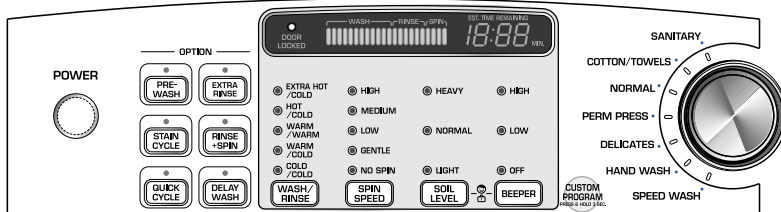
## WM1811CW



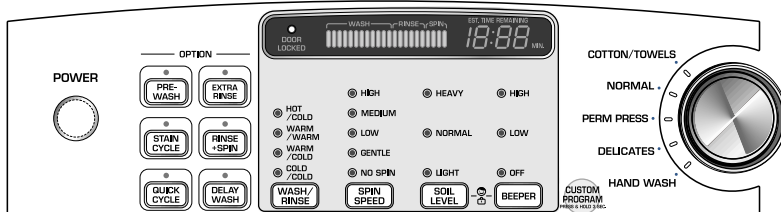
## WM2432HW



## WM2032HS / WM2032HW

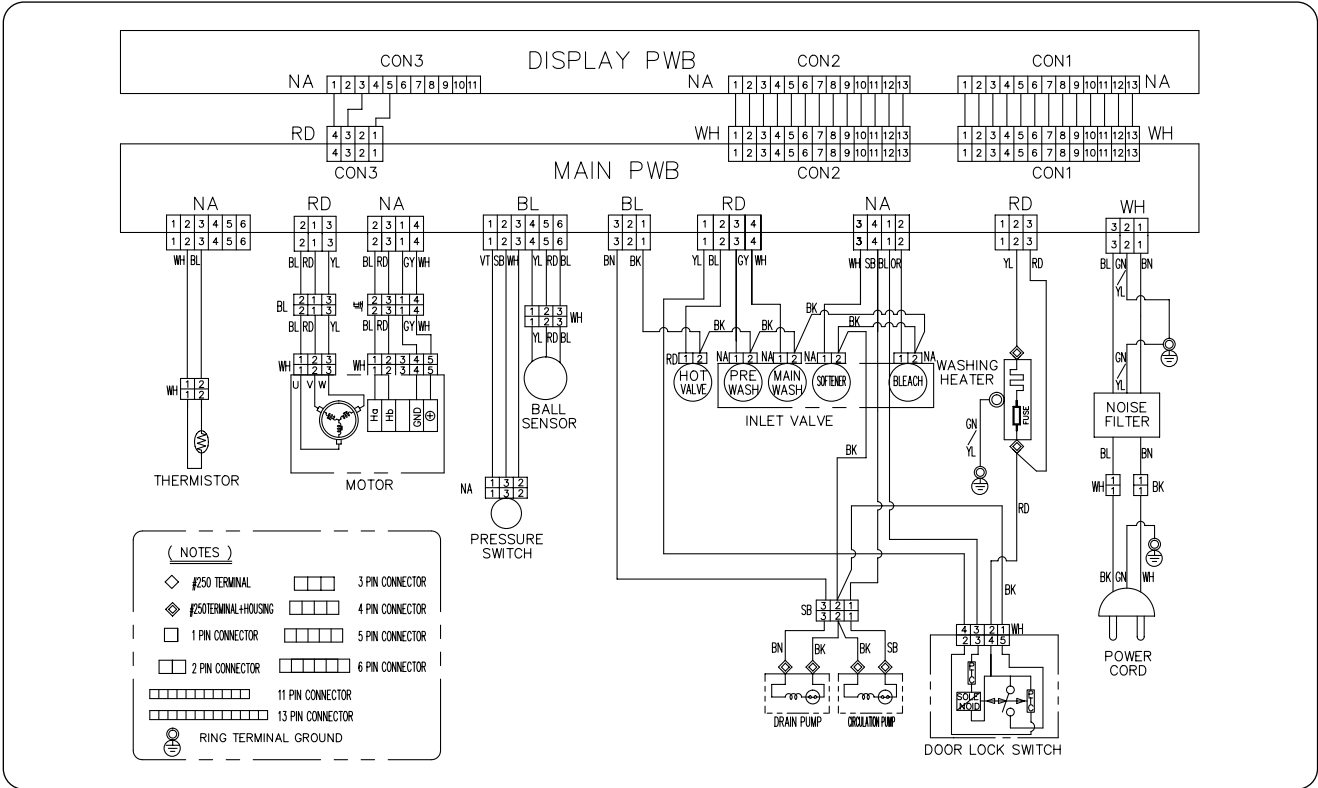


## WM1832CW

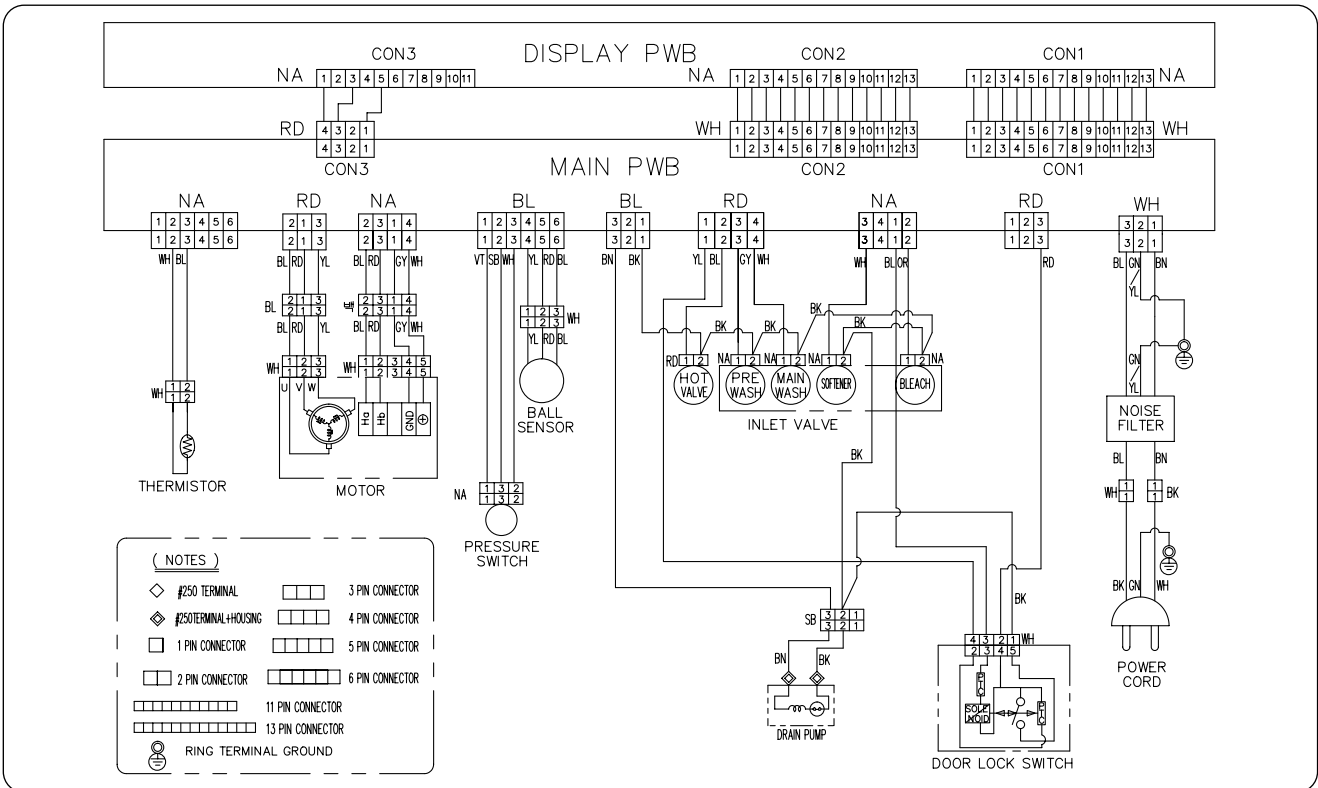


# 6. WIRING DIAGRAM / PROGRAM CHART

■ WM2411HW / WM2011HS / WM2011HW / WM2432HW / WM2032HS / WM2032HW



■ WM1811CW / WM1832CW



**PROGRAM CHART**

\* Water Supply : W·S

\* Intermittent Spin : I·S

\* Disentangle : D·T

C Y C L E  C O U R S E	Washing										Rinse										Spin			A U T O O F F	Normal Working Time (Hour:Minute)						
	Pre				Main						Normal				Extra or Stain			Extra & Stain			D·T	E N D									
	W·S	Washing	Drain	I·S	W·S	Washing Heating	Washing	Staycooling		Drain	I·S	W·S	Rinsing	Drain	I·S	W·S	Rinsing	Drain	I·S	W·S			Rinsing			Drain	I·S	W·S	Rinsing	Drain	Spin
								8	60												60	60									
1	2	3	4	5	6	7	8	9	10	11	12	13	14	15	16	17	18	19	20	21	22	23	24	25	26	27	28	29	20		
Time (SEC)	60	MIN	60	300	60	MIN	60	60	60	60	300	60	240	60	300	60	240	60	300	60	240	60	300	60	240	60	120 - 540	120	20	20	
Sanitary		8																													About 1:44
Cotton /Towels		8				66		2TIMES																							About 57
Normal		8				19																									About 56
Perm Press		8				17																									About 53
Delicates		8				13																									About 34
Wool/Silk						13																									About 34
Hand Wash						13																									About 34
Speed Wash						7						120			120																About 29
Drain+Spin																															About 12
Wash + Rinse		8				19																									About 45
Rinse + Spin																															About 29
Rinse																															About 18

\* Basic Cycle

\* Optional Cycle

\* Pre-Setting Time : Water Supply - 60 sec.  
Drain - 60 sec.

\* Basic time is minute in washing chart.

\* The actual program time can be varied with the load amount, water temperature or ambient temperature.

# 7. TROUBLESHOOTING


## 7-1. BEFORE PERFORMING SERVICE

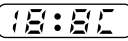
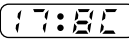
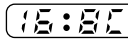
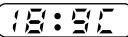
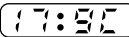
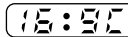
- Be careful of electric shock when disconnecting parts for while troubleshooting.
- The voltage of each terminal is 120V AC and DC when the unit is plugged in.

## 7-2. QC TEST MODE.

The washer must be empty and the controls must be in the off state.

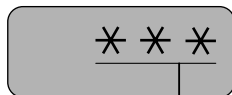
- α Press the SPIN SPEED and SOIL LEVEL buttons simultaneously.
- α Press the Power button, while the above condition. Then buzzer sound twice.
- α In order to advance to the next step of test mode, press the START / PAUSE button once.

Number of times the Start/Pause button is pressed	Check Point	Display Status
None	Turns on all lamps and locks the door.	 <sup>1)</sup>
1 time	Tumble clockwise.	rpm (40~50)
2 times	Low speed Spin.	rpm
3 times	High speed Spin.	rpm
4 times	Inlet valve for prewash turns on.	Water level frequency (25~65)
5 times	Inlet valve for main wash turns on.	Water level frequency (25~65)
6 times	Inlet valve for hot water turns on.	Water level frequency (25~65)
7 times	Inlet valve for softener turns on.	Water level frequency (25~65)
8 times	Inlet valve for bleach turns on.	Water level frequency (25~65)
9 times	Tumble counterclockwise.	rpm (40~50)
10 times	Heater turns on for 3 sec.	Water temperature
11 times	Circulation pump turns on.	Water level frequency (25~65)
12 times	Drain pump turns on.	Water level frequency (25~65)
13 times	Power off and unlock the door.	Turn off all lamps.

- 1)  WM2411HW     WM2011HS / WM2011HW     WM1811CW  
 WM2432HW     WM2011HS / WM2032HW     WM1832CW

## 7-3. HOW TO CHECK THE WATER LEVEL FREQUENCY

- \* Press the SPIN SPEED and SOIL LEVEL button simultaneously.










- The digits indicate the water level frequency ( x.1 kHz ).






So, for example a display indicating 241 : a Water level frequency of 241 x.1 kHz  
 = 24.1 kHz



## 7-4. ERROR DISPLAY

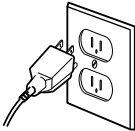
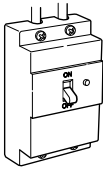

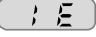
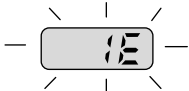



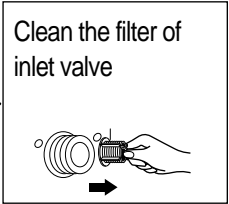
- If you press the START/PAUSE button when an error is displayed, any error except 『PE』 will disappear and the machine will go into the pause status.
- In case of 『PE』, 『LE』, 『dE』 if the error is not resolved within 20 sec., or the in case of other errors, if the error is not resolved within 4 min., power will be turned off automatically and the error code will blink. But in the case of 『FE』, power will not be turned off.





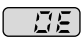
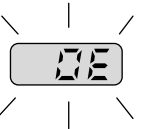
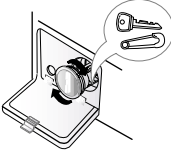

	ERROR	SYMPTOM	CAUSE
1	WATER INLET ERROR		<ul style="list-style-type: none"> <li>• Correct water level (2 level) is not reached within 8 minutes after water is supplied or it does not reach the preset water level within 25 minutes.</li> </ul>
2	IMBALANCE ERROR		<ul style="list-style-type: none"> <li>• The load is too small.</li> <li>• The appliance is tilted.</li> <li>• Laundry is gathered to one side.</li> <li>• Non distributable things are put into the drum.</li> </ul>
3	DRAIN ERROR		<ul style="list-style-type: none"> <li>• Not fully drained within 10 minutes.</li> </ul>
4	OVER FLOW ERROR		<ul style="list-style-type: none"> <li>• Water is overflowing (over 8 level).</li> <li>• If 『FE』 is displayed, the drain pump will operate to the drain water automatically.</li> </ul>
5	PRESSURE SENSOR ERROR		<ul style="list-style-type: none"> <li>• The SENSOR SWITCH ASSEMBLY is out of order.</li> </ul>
6	DOOR OPEN ERROR		<ul style="list-style-type: none"> <li>• Door not all the way closed.</li> <li>• Loose electrical connections at Door switch and PWB Assembly.</li> <li>• The DOOR SWITCH ASSEMBLY is out of order.</li> </ul>
7	HEATING ERROR		<ul style="list-style-type: none"> <li>• The THERMISTOR is out order.</li> </ul>

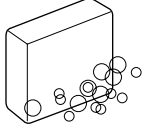
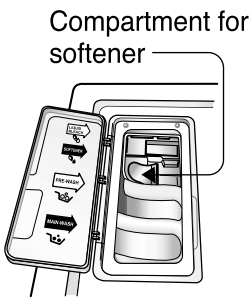
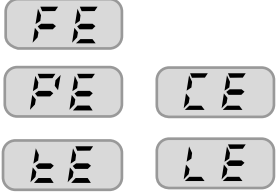
	ERROR	SYMPTOM	CAUSE
8	OVER CURRENT ERROR		<ul style="list-style-type: none"> <li>• MAIN PWB ASSEMBLY is out of order.</li> <li>• Winding in the STATOR ASSEMBLY is short-circuited.</li> </ul>
9	LOCKED MOTOR ERROR		<ul style="list-style-type: none"> <li>• The connector (3-pin, male, white) in the MOTOR HARNESS is not connected to the connector (3-pin, female, white) of STATOR ASSEMBLY.</li> <li>• The electric contact between the connectors (3-pin, male, white) in the MOTOR HARNESS and 4-pin, female, white connector in the MAIN PWB ASSEMBLY is bad or unstable.</li> <li>• The MOTOR HARNESS between the STATOR ASSEMBLY and MAIN PWB ASSEMBLY is cut (open circuited).</li> <li>• The hall sensor is out of order/defective.</li> </ul>
10	BALL SENSOR ERROR		<ul style="list-style-type: none"> <li>• Loose Ball Sensor Connector.</li> <li>• Ball Sensor is out of order. <ul style="list-style-type: none"> <li>ı Displayed only when the START / PAUSE button is first pressed in the QC Test Mode.</li> </ul> </li> </ul>
11	EEPROM ERROR		<ul style="list-style-type: none"> <li>• EEPROM is out of order. <ul style="list-style-type: none"> <li>ı Displayed only when the START / PAUSE button is first pressed in the QC Test Mode.</li> </ul> </li> </ul>
12	POWER FAILURE		<ul style="list-style-type: none"> <li>• The washer experienced a power failure.</li> </ul>

# 8. ERROR DIAGNOSIS AND CHECK LIST

## 8-1. DIAGNOSIS AND SOLUTION FOR ABNORMAL OPERATION

SYMPTOM	GUIDE FOR SERVICE CALL	
<p>No power</p>	<p>Is the power plug connected firmly to 120V AC outlet?</p> <p style="text-align: center;"><b>YES</b></p> <p>Power failure? or Breaker opened? Is the outlet controlled by a switch?</p> <p style="text-align: center;"><b>NO</b></p> <p style="text-align: center;">Visit to service.</p>	 
<p>Water inlet trouble</p> 	<p>Is  displayed?</p> <p style="text-align: center;"><b>YES</b></p> <p>Is the tap opened?</p> <p style="text-align: center;"><b>YES</b></p> <p>Is the tap frozen?</p> <p style="text-align: center;"><b>NO</b></p> <p>Is the water supply shut-off?</p> <p style="text-align: center;"><b>NO</b></p> <p>Is filter in the inlet valve clogged with foreign material?</p> <p style="text-align: center;"><b>NO</b></p> <p style="text-align: center;">Visit to service.</p>	    <p>Clean the filter of inlet valve</p> 

SYMPTOM	GUIDE FOR SERVICE CALL
<p>Door error</p> 	<p>Started with door opened? </p> <p>YES →</p> <p>NO ↓</p> <p>Close the door.</p>  <p>Was the load too large?</p> <p>YES →</p> <p>NO ↓</p> <p>Avoid overloading.</p> <p>Clicking sound is heard once or twice, when the START / PAUSE button is pressed to start the cycle?</p> <p>NO ↓</p> <p>Visit to service.</p> <p>Check if the door switch is OK.</p>
<p>Drain trouble</p> 	<p>Is  displayed? </p> <p>YES ↓</p> <p>Is the drain pump filter clogged with foreign material such as pins, coins, etc? YES →</p> <p>NO ↓</p> <p>Clean up the filter.</p>  <p>Is the drain hose frozen, kinked, or crushed?</p> <p>NO ↓</p> <p>Visit to service.</p> 

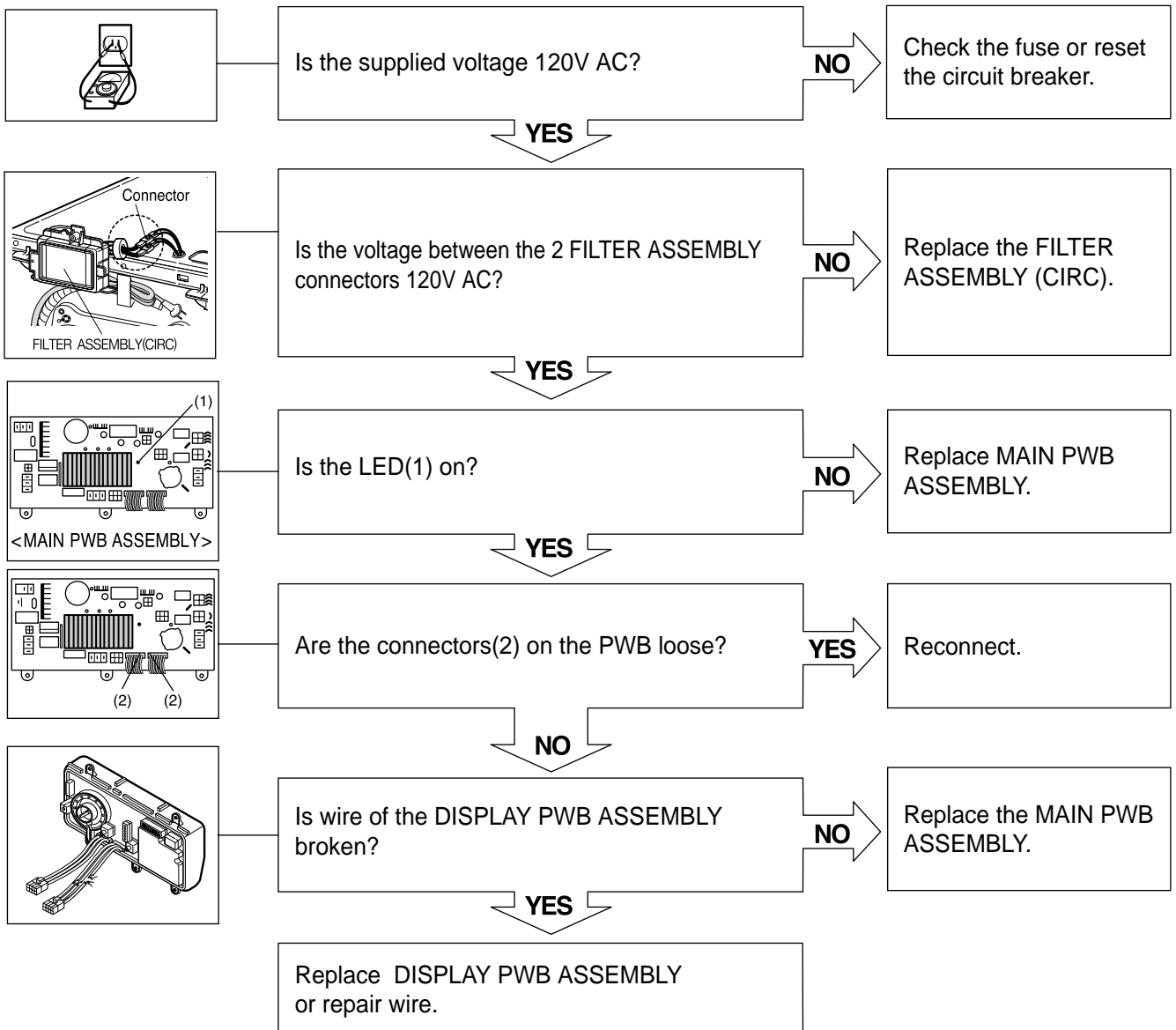
SYMPTOM	GUIDE FOR SERVICE CALL
<p>Suds overflow from the appliance. (In this condition, wash and spin do not operate normally)</p>	<div style="display: flex; justify-content: space-between; align-items: flex-start;"> <div style="width: 60%;"> <p>Is a low-sudsing detergent used?</p> <p style="text-align: center;"><b>YES</b></p> <p>Is the proper amount of detergent used as recommended?</p> <p style="text-align: center;"><b>YES</b></p> <p>Recommend to reduce the amount of detergent.</p> <ul style="list-style-type: none"> <li>* This appliance has an automatic suds sensing function which prevents overflow.</li> <li>* When excessive suds are sensed, the suds removing implementations such as drain, water input, pause will operate, without rotating the drum.</li> </ul> </div> <div style="width: 35%; text-align: center;">  <p><b>LOW-SUDSING</b></p> </div> </div>
<p>No softening effect</p>	<div style="display: flex; justify-content: space-between; align-items: flex-start;"> <div style="width: 60%;"> <p>Is softener put in the correct compartment of the dispenser?</p> <p style="text-align: center;"><b>YES</b></p> <p>Is the softener cap clogged?</p> <p style="text-align: center;"><b>YES</b></p> <p>Explain proper use of softener.</p> <p><b>Clean the softener compartment</b></p> </div> <div style="width: 35%; text-align: center;">  <p>Compartment for softener</p> </div> </div>
	<p style="text-align: center;">Visit to service.</p>

## 8-2.FAULT DIAGNOSIS AND TROUBLESHOOTING

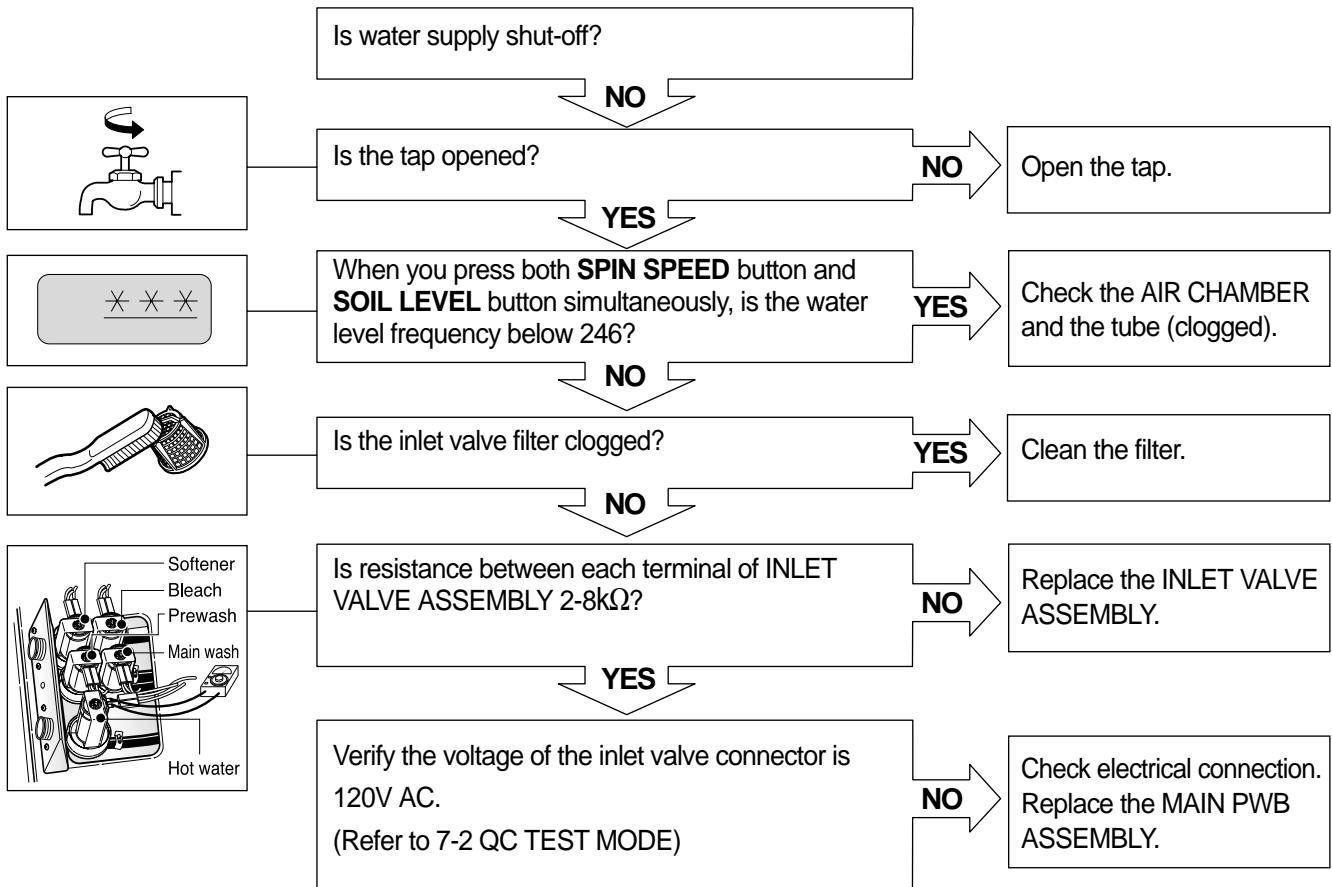
### CAUTION

1. Be careful of electric shock if disconnecting parts while troubleshooting.
2. First of all, check the connection of each electrical terminal with the wiring diagram.
3. If you replace the MAIN PWB ASSEMBLY, reinsert the connectors correctly.

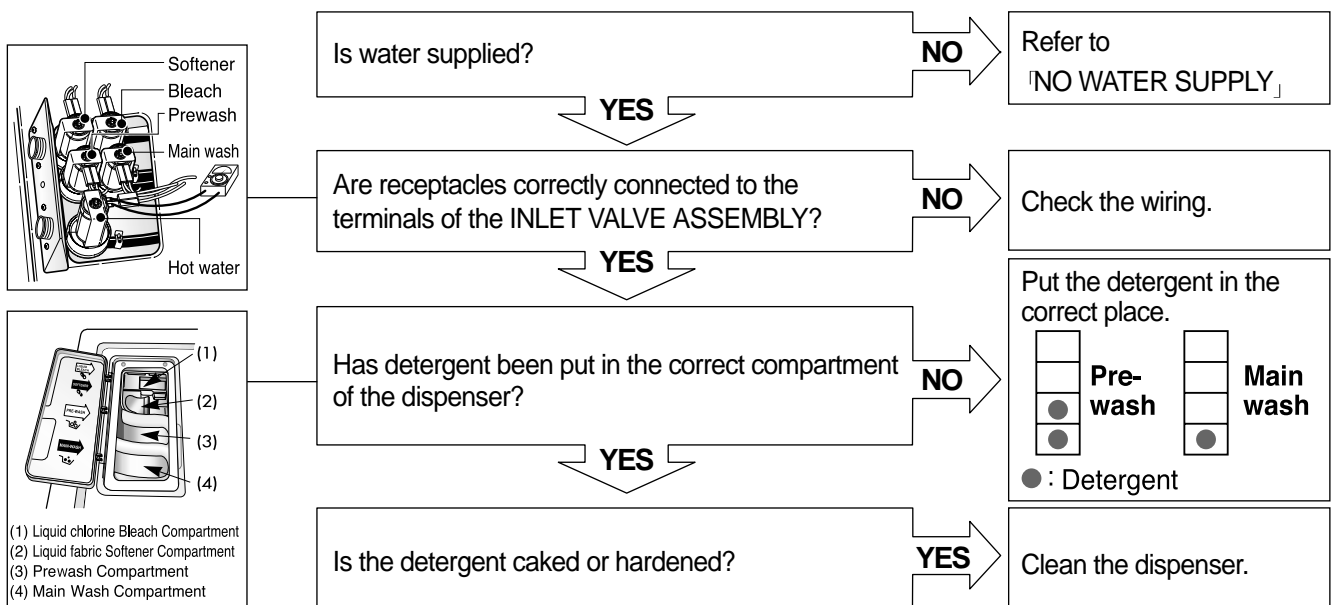
### NO POWER



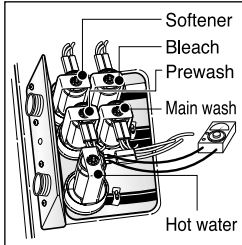
## NO WATER SUPPLY



## DETERGENT DOES NOT FLOW IN



## SOFTENER / BLEACH DOES NOT FLOW IN



Is water supplied?

**NO**

Refer to  
「NO WATER SUPPLY」

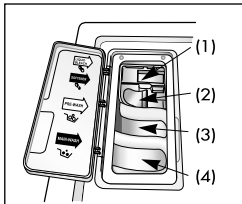
**YES**

Are the plugs correctly connected to the terminals of  
the INLET VALVE ASSEMBLY?

**NO**

Check the wiring on the  
dispenser.

**YES**



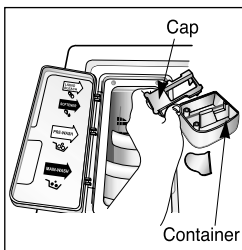
(1) Liquid chlorine Bleach Compartment  
(2) Liquid fabric Softener Compartment  
(3) Pre wash Compartment  
(4) Main Wash Compartment

Is softener / bleach put in the correct compartment of  
the drawer?

**NO**

Put it in the correct  
compartment.

**YES**

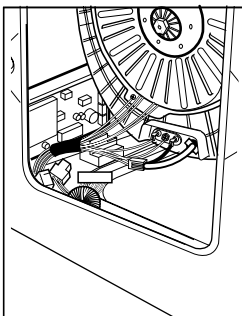


Is the softener / bleach cap clogged?

**YES**

Clean the Cap and  
Container.

## ABNORMAL SOUND



Is the motor bolt loosened?

**YES**

Secure the bolt.

**NO**

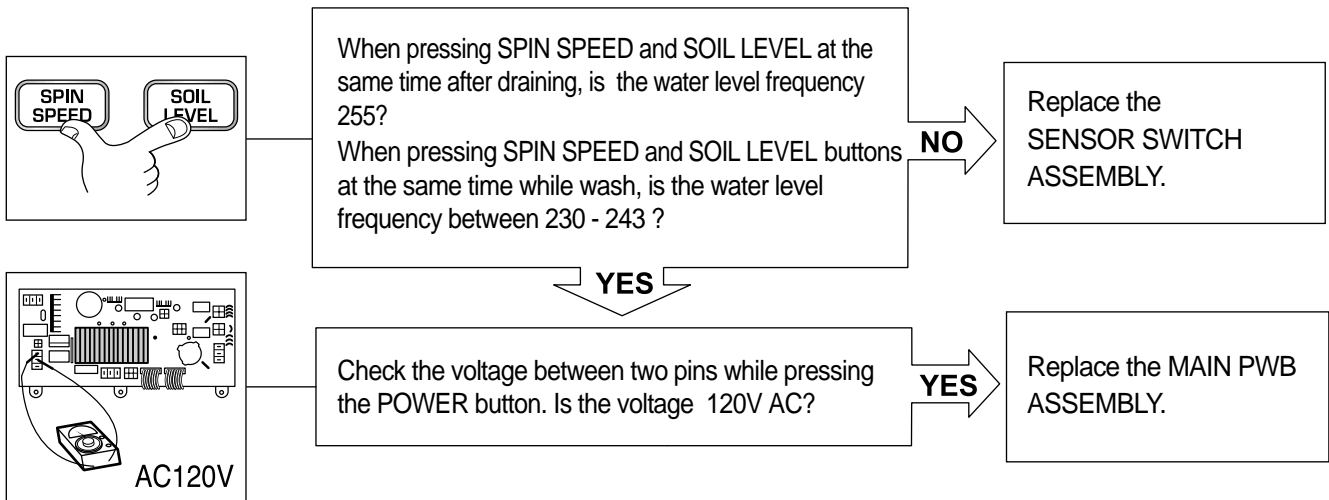
Is there friction noise coming from the motor?

**YES**

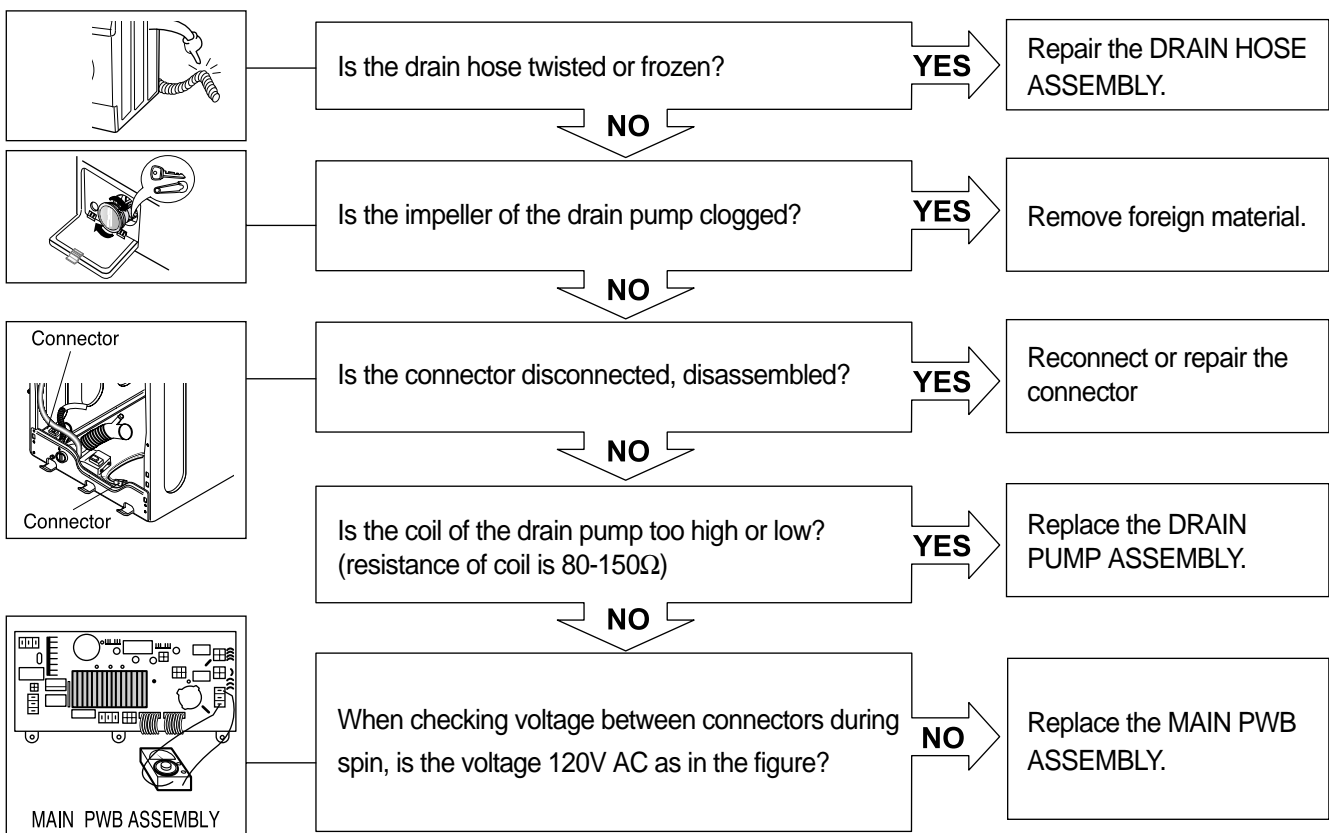
Replace the STATOR  
ASSEMBLY or ROTOR  
ASSEMBLY.



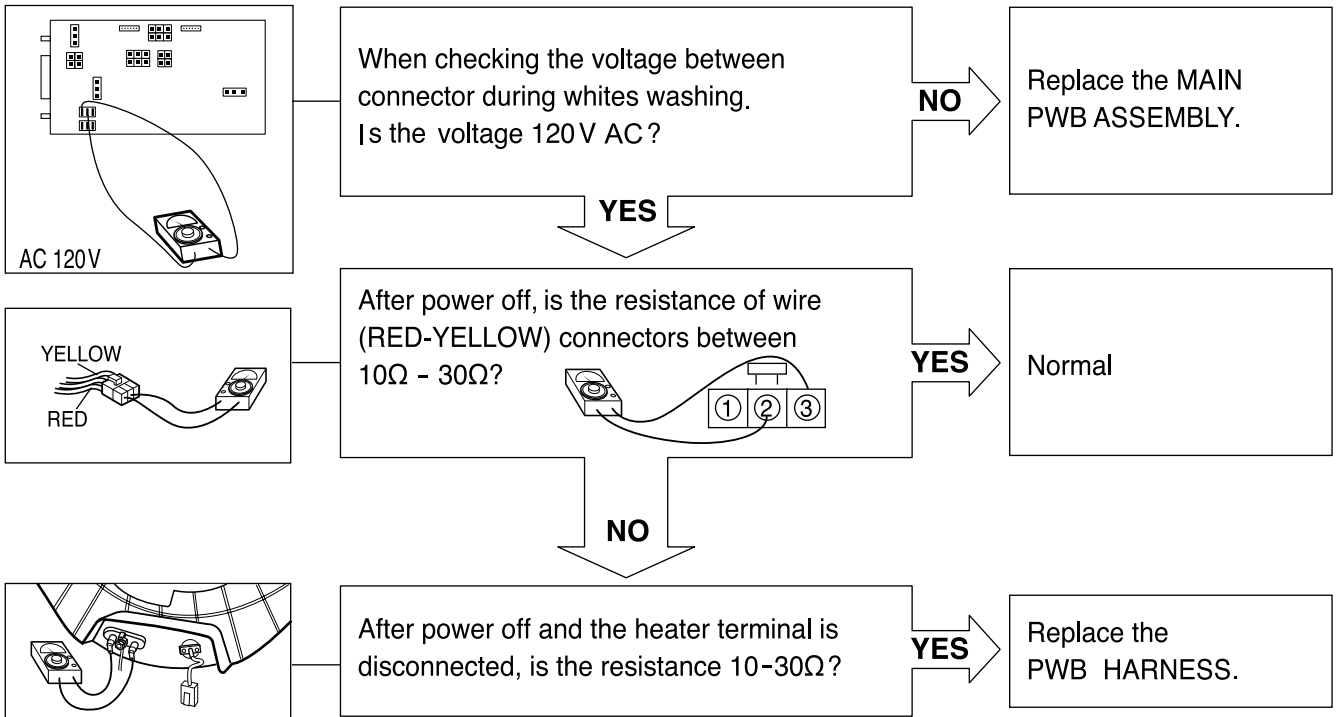
## HEATING WITHOUT WATER



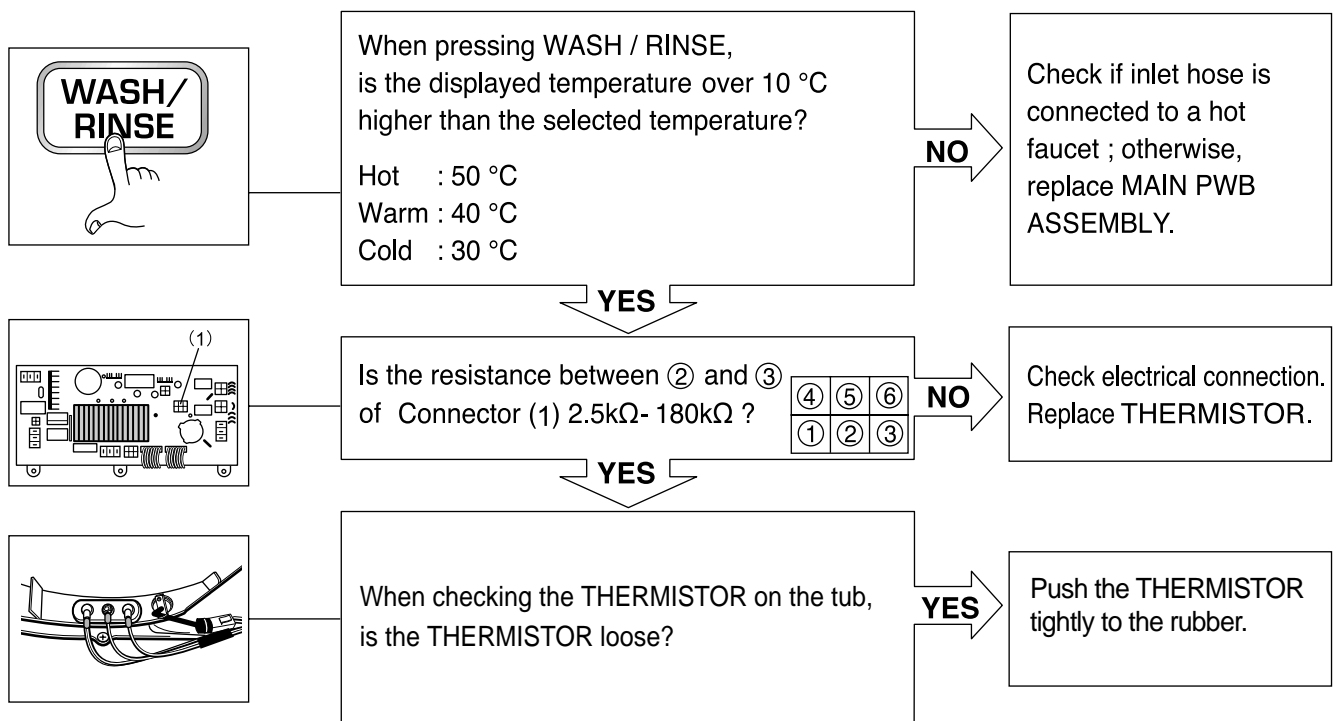
## DRAIN MALFUNCTIONING



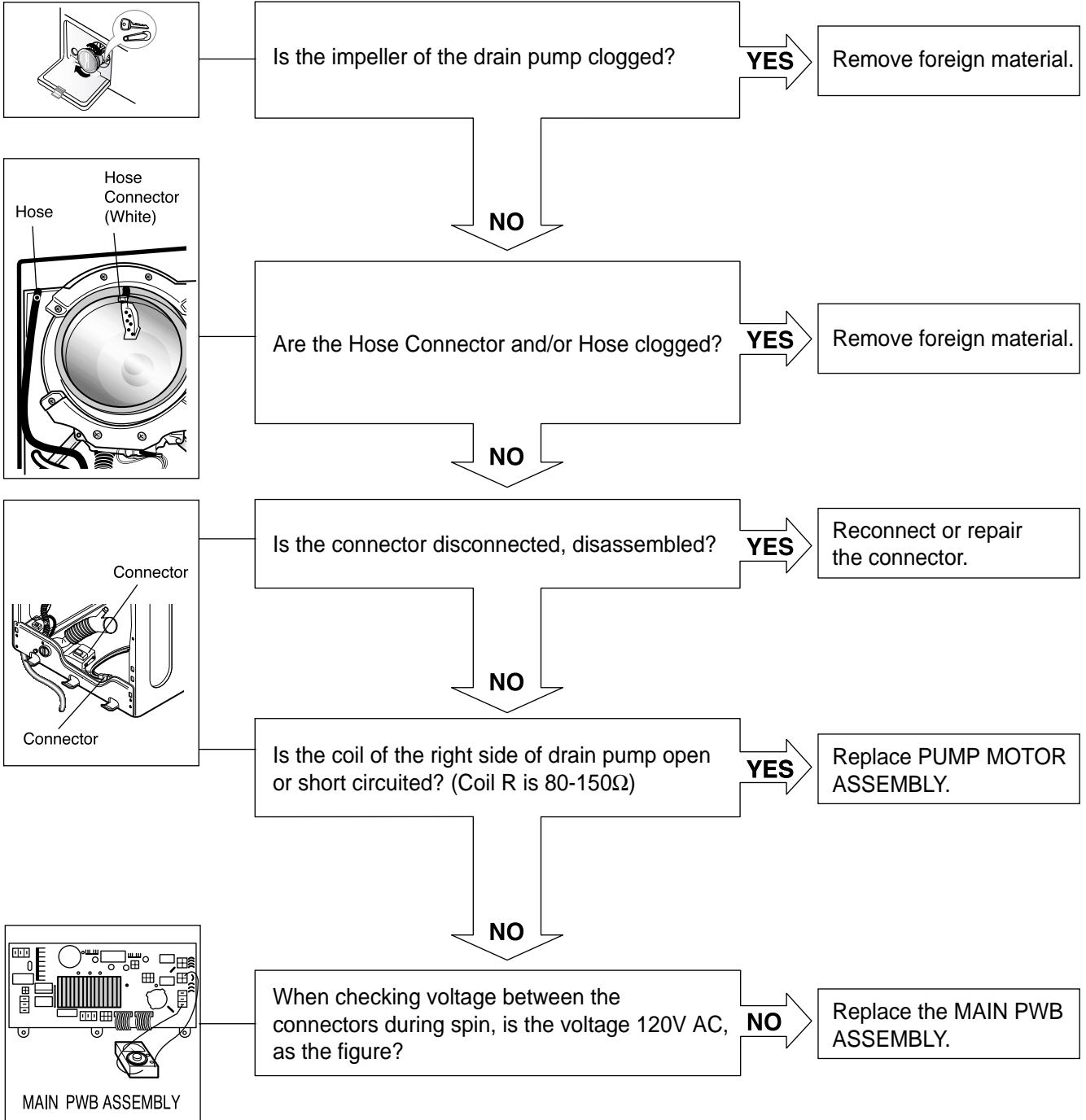
## WASH HEATER TROUBLE



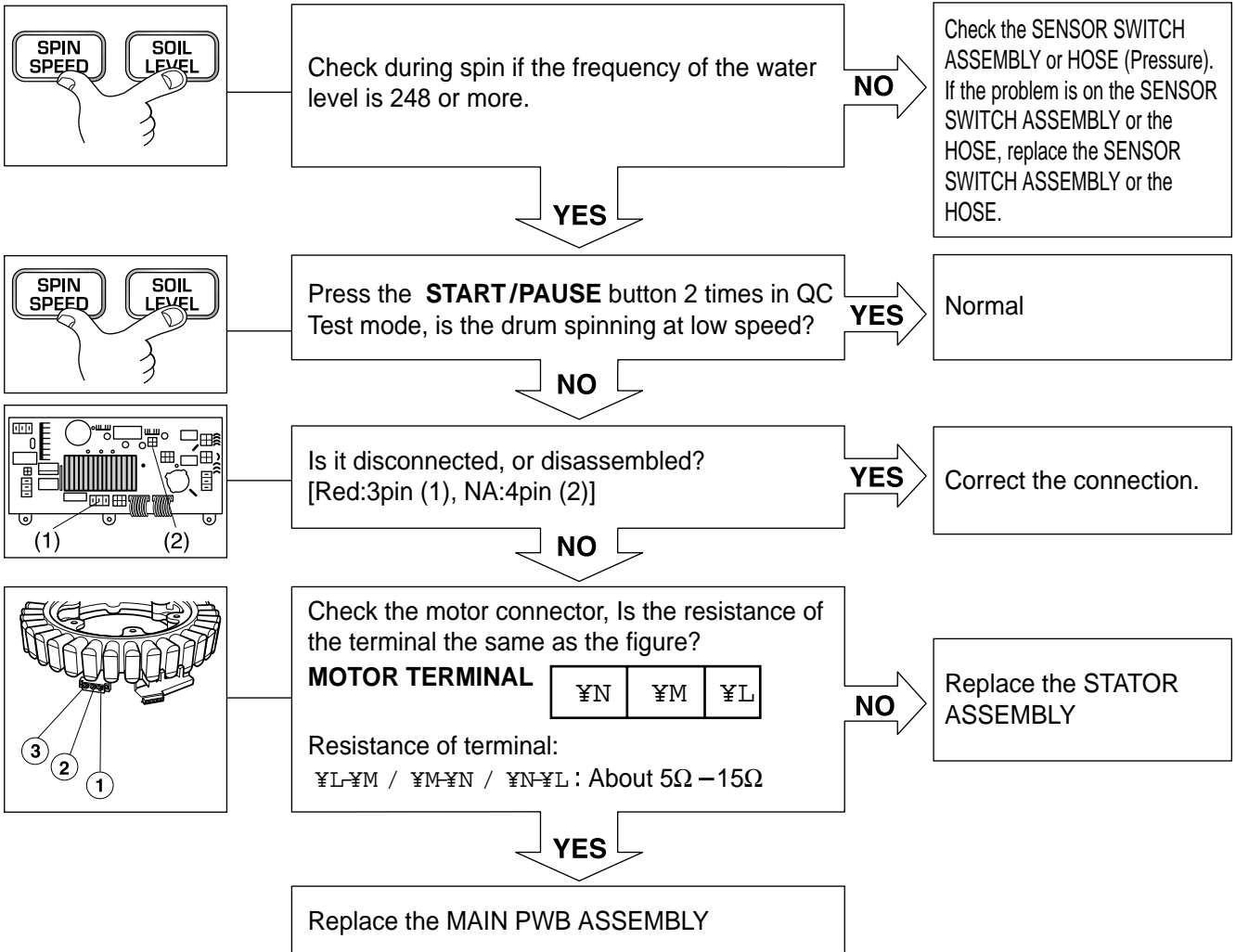
## HEATING CONTINUOUSLY ABOVE THE SETTING WATER TEMPERATURE



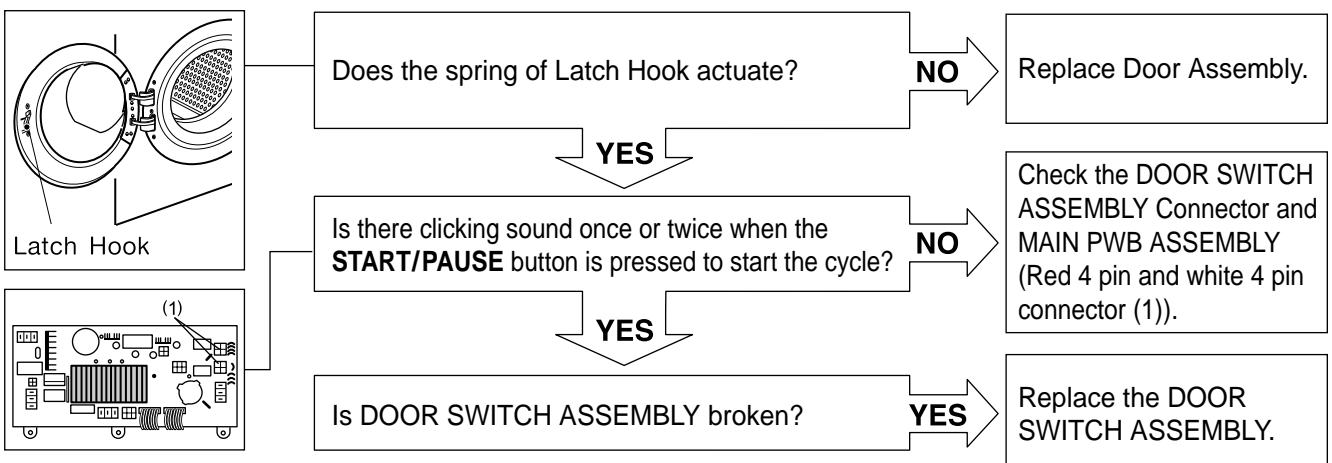
## WILL NOT CIRCULATE WATER



## SPIN TROUBLE



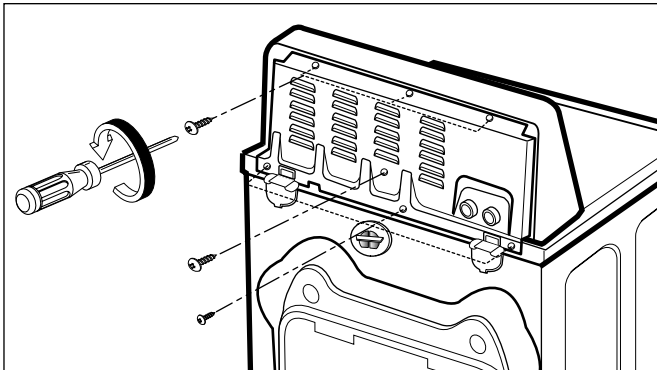
## E ERROR



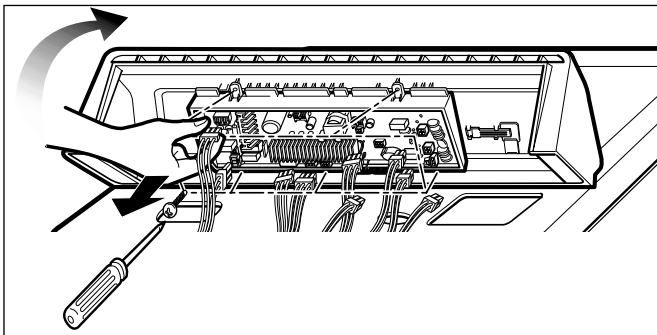
# 9. DISASSEMBLY INSTRUCTIONS

fR Disassemble and repair the unit only after pulling out power plug from the outlet.

## CONTROL PANEL ASSEMBLY

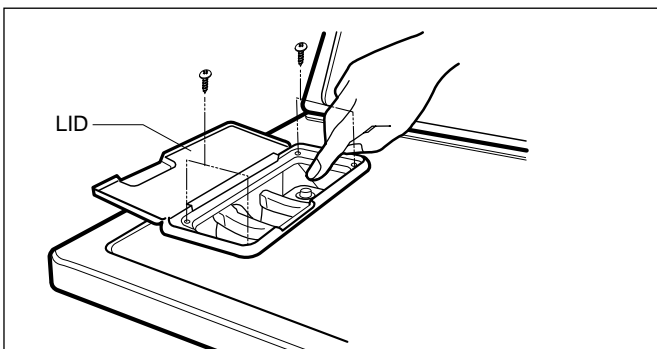


1. Unscrew 7 screws on the Rear Frame.
2. Disassemble the Rear Frame.

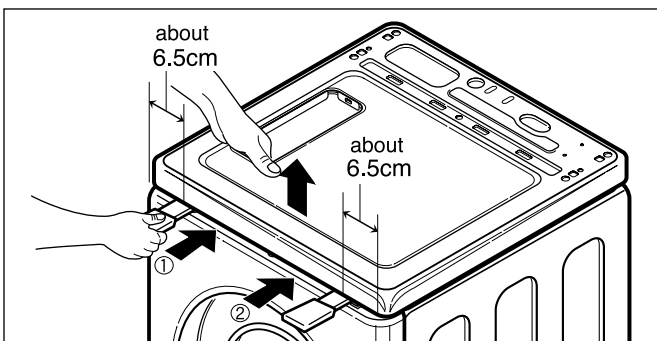


3. Pull the Control panel forward.
4. Disconnect connectors.
5. Unscrew 5 screws.
6. Disassemble the controller assembly.

## TOP PLATE



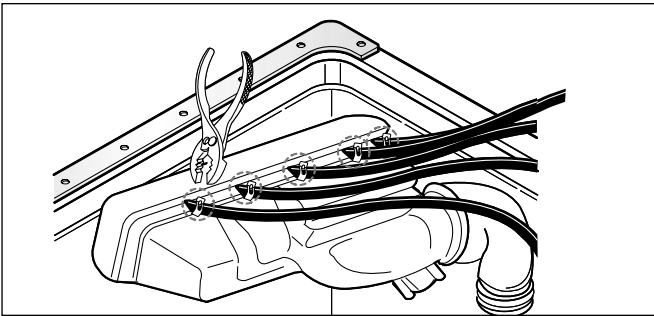
1. Open the Lid.
2. Unscrew 4 screws.
3. Disassemble the Lid Assembly.
4. Pull down the Dispenser by pushing hooks.



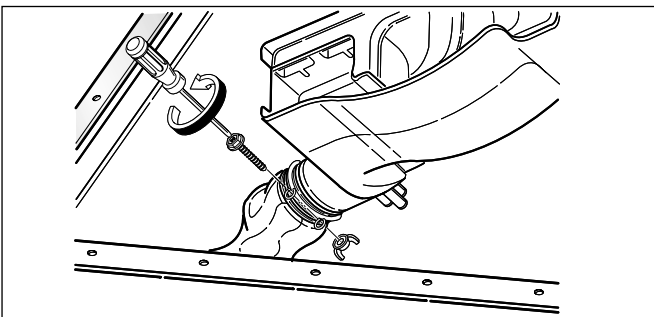
5. Put a hand into the dispenser hole and hold the top plate.
6. Push backward using an opener and lift the top plate.

i Do first left side (¥I).

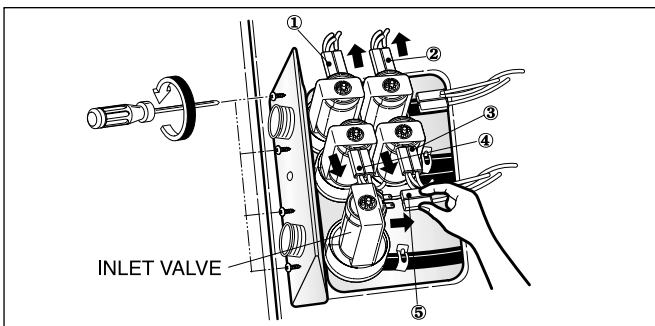
## DISPENSER ASSEMBLY



1. Disassemble the 5 hose clamps.
2. Release the 5 hoses.



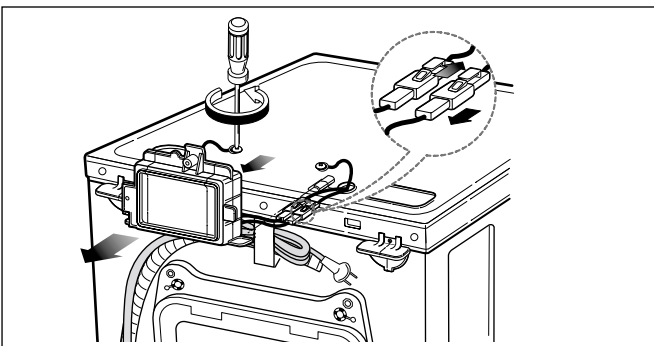
3. Unscrew the nut at the lower part of the dispenser.



4. Unscrew the 4 screws on the holder.
5. Disassemble the 5 connectors from the valves.

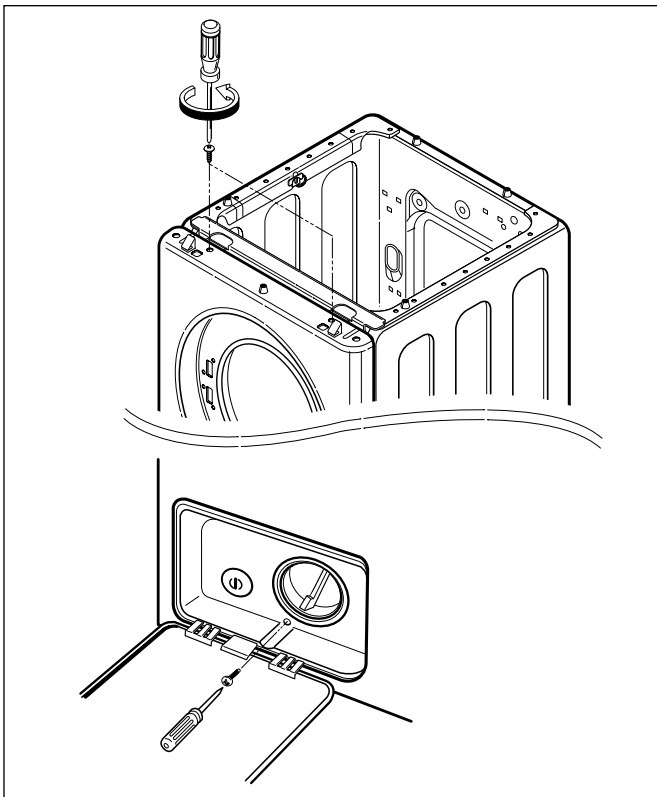
Wire color : ¥L WH-BK ¥M OR-BK  
 ¥N WH-BK ¥O GY-BK  
 ¥P BL-BK

## NOISE FILTER

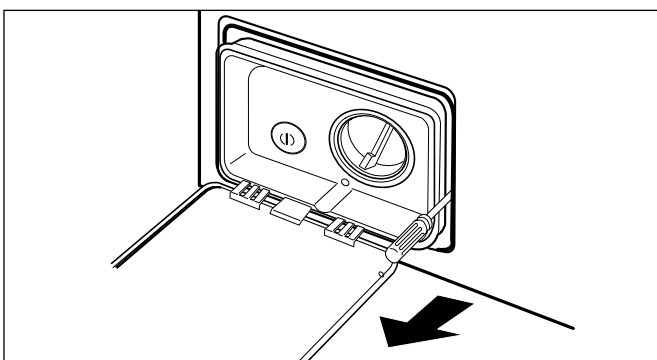


1. Unscrew the screw from the top plate.
2. Unplug the 2 connectors.

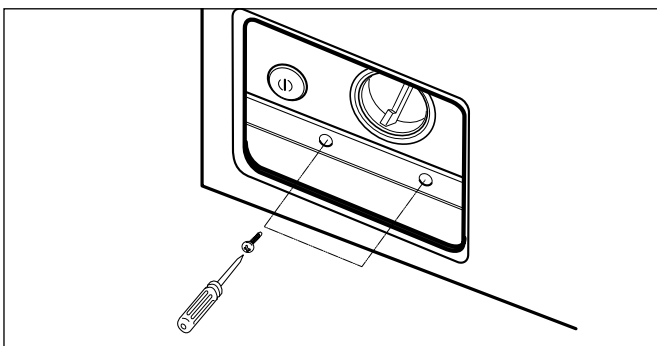
## CABINET COVER



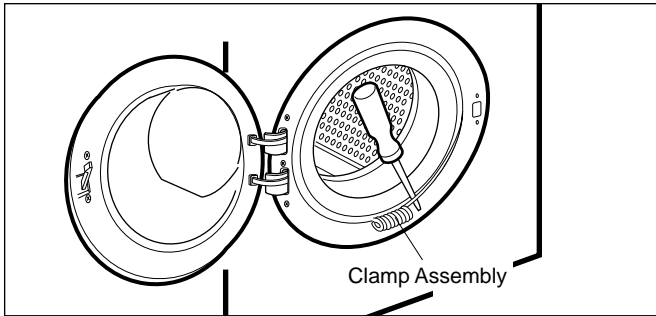
1. Unscrew the 2 screws from upper side of the cabinet cover.
2. Unscrew the screw from filter cover.



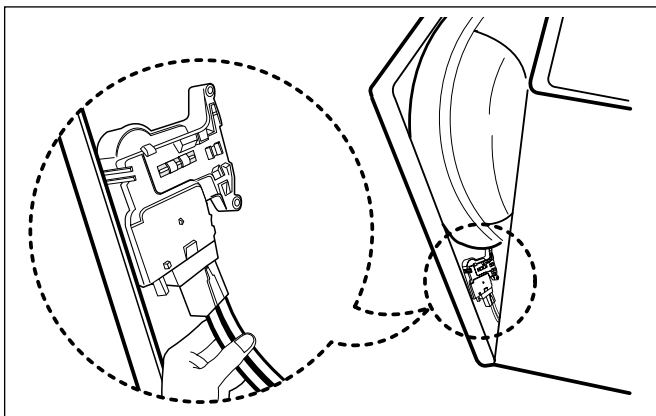
3. Put a flat (-) screwdriver into the both sides of the filter cover, and pull it out.



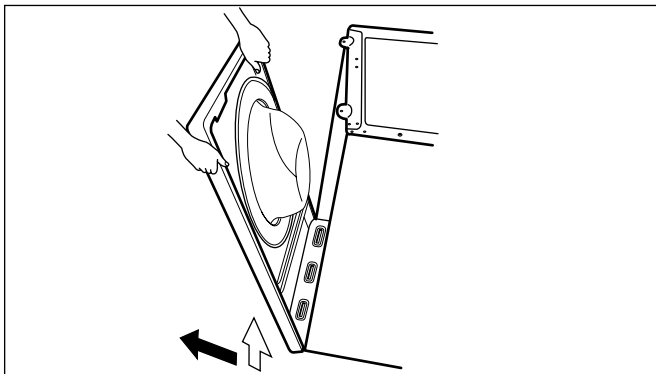
4. Unscrew the 2 screws from the lower side of the cabinet cover.



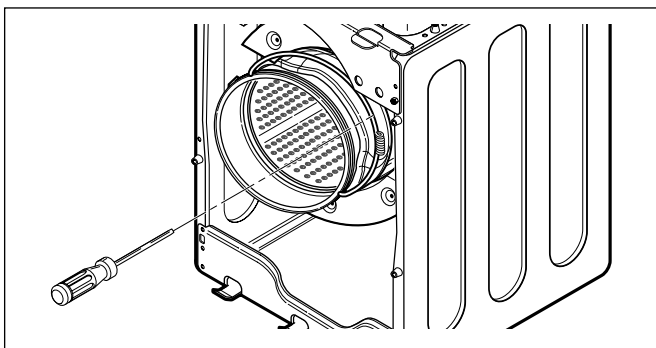
5. Open the door.
6. Disassemble the clamp assembly using a flat (-) screwdriver.
7. Separate the clamp assembly from cabinet cover.



8. Tilt the cabinet cover.
9. Disconnect the door switch connector.



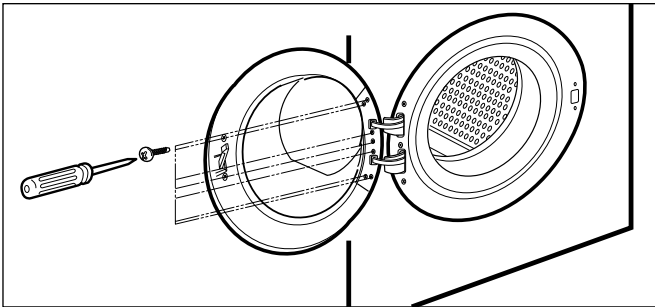
10. Lift and separate the cabinet cover.



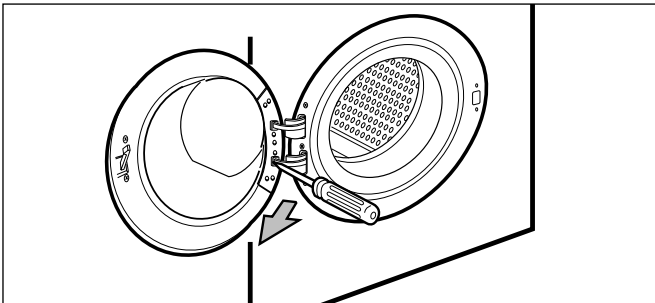
11. Disassemble the clamp assembly using a flat (-) screwdriver.
12. Disassemble the Gasket.



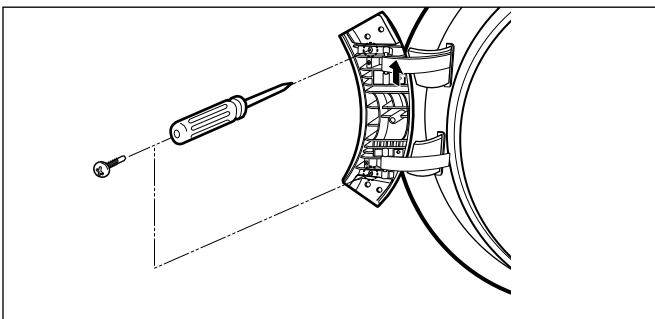
## DOOR



1. Open the door.
2. Unscrew the 7 screws from the hinge cover.



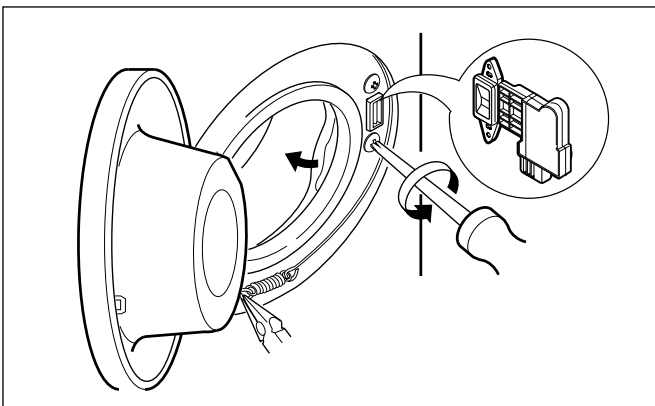
3. Put a flat (-) screwdriver into the opening of the hinge, and pull out the hinge cover.



4. Unscrew the screws from the door.
5. Disassemble the door upward / downward.

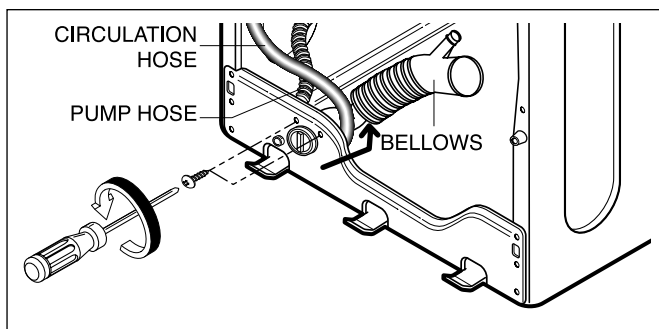
**Be careful ! The door is heavy.**

## DOOR SWITCH ASSEMBLY



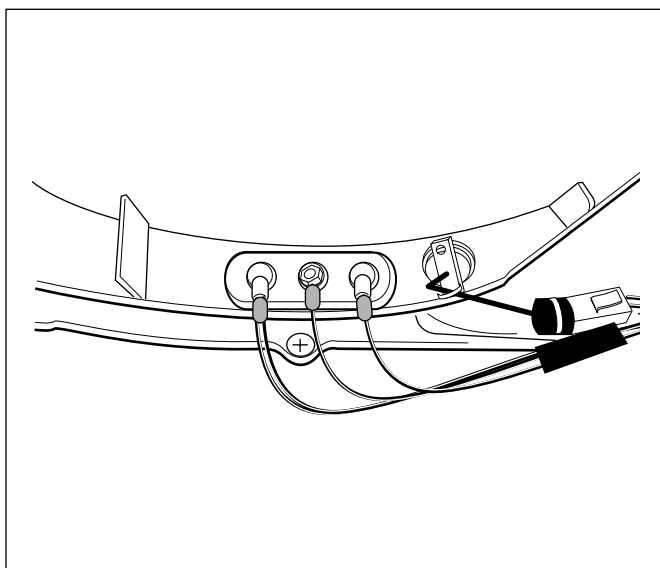
1. Open the door.
2. Disassemble the clamp assembly.
3. Unscrew the 2 screws from cabinet cover.

## PUMP



1. Disassemble the cabinet cover.
2. Separate the pump hose, the bellows and the circulation hose assembly from the pump assembly.
3. Disassemble the pump assembly in arrow direction.

## HEATER

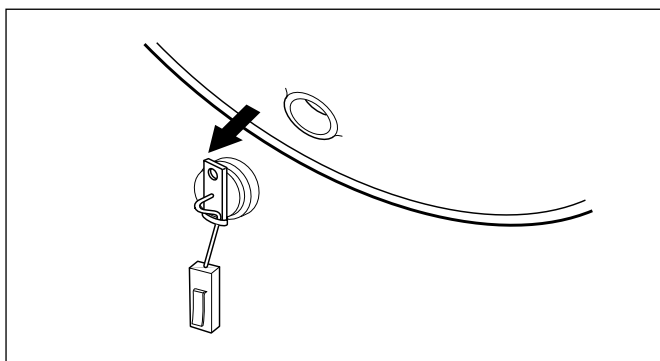


1. Disassemble the cabinet cover.
2. Separate 2 connectors from the heater.
3. Loose the nut and pull out the heater.

### *i* CAUTION

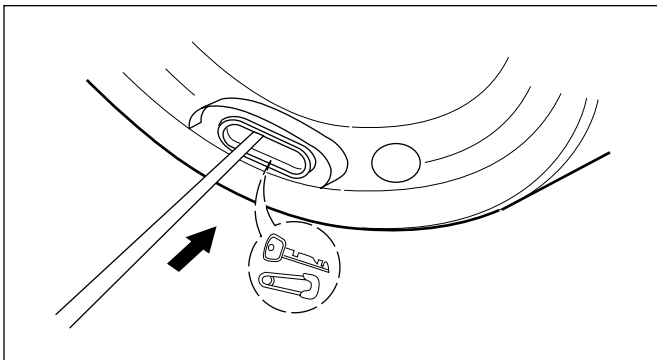
- When assembling the heater, insert the heater into heater clip on the bottom of the tub.
- Tighten the fastening nut so the heater is secure.

## THERMISTOR



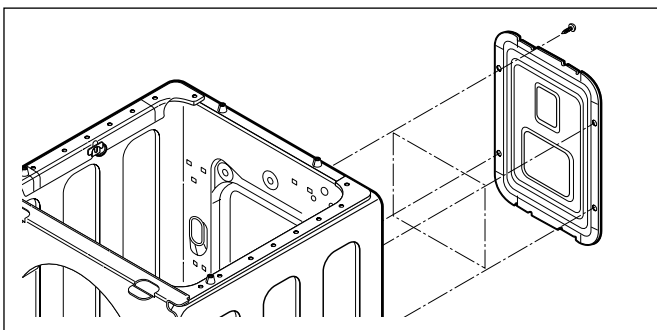
1. Disassemble the cabinet cover.
2. Unplug the white connector from the thermistor.
3. Pull it out by holding the bracket of thermistor.

## WHEN FOREIGN OBJECT IS STUCK BETWEEN DRUM AND TUB

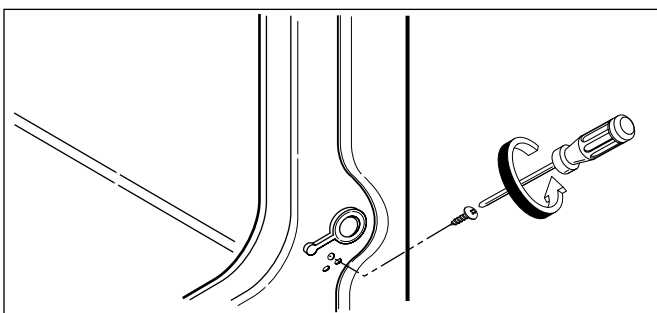


1. Disassemble the cabinet cover.
2. Separate the heater from the tub.
3. Remove any foreign objects (wire, coin, etc.) by inserting a long bar in the opening.

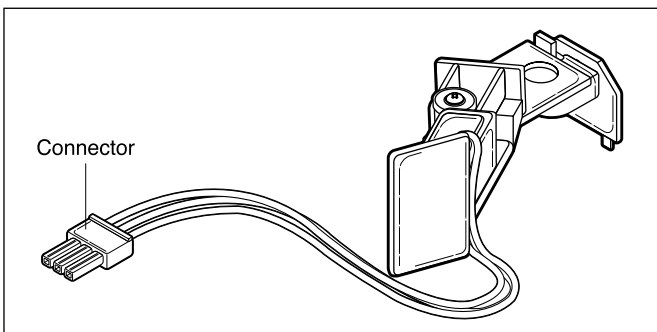
## SENSOR ASSEMBLY(BALL SENSOR)



1. Unscrew the 4 screws from the back cover.

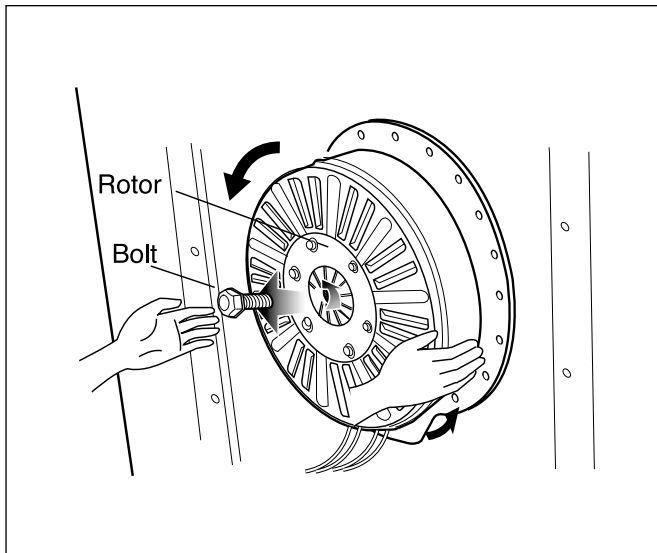


2. Unscrew the single screw from the lower-right side of the cabinet.

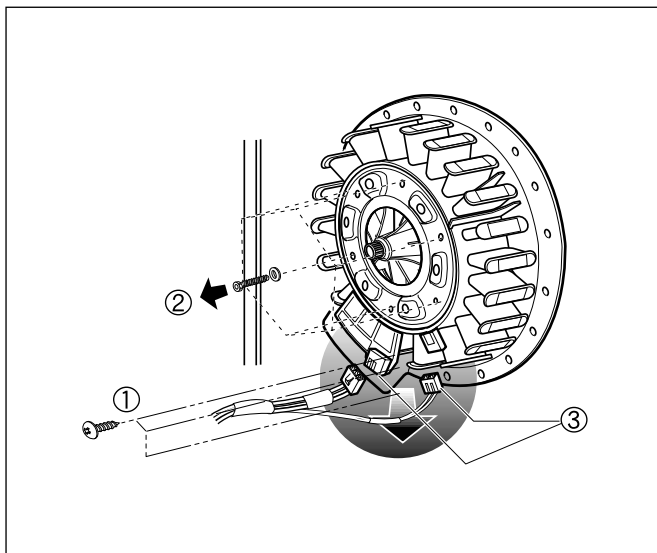


3. Disconnect the connector from PWB Harness.

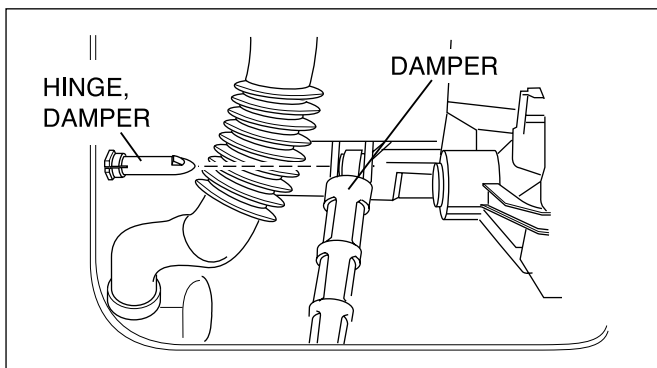
## MOTOR / DAMPER



1. Disassemble the back cover.
2. Loosen the bolt.
3. Pull out the Rotor.



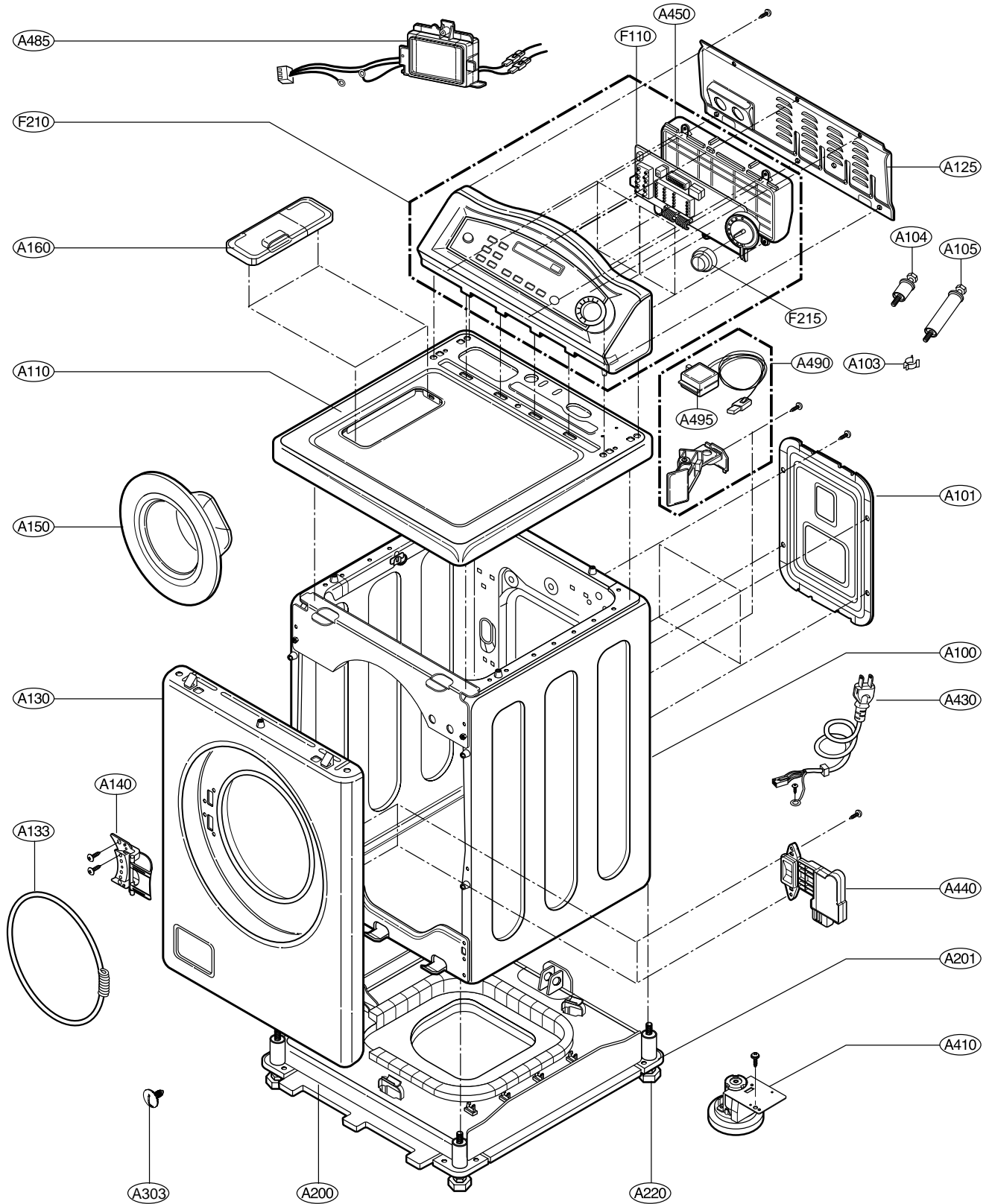
4. Unscrew the 2 screws from the tub bracket.
5. Loosen the 6 bolts on the stator.
6. Unplug the 2 connectors from the stator.



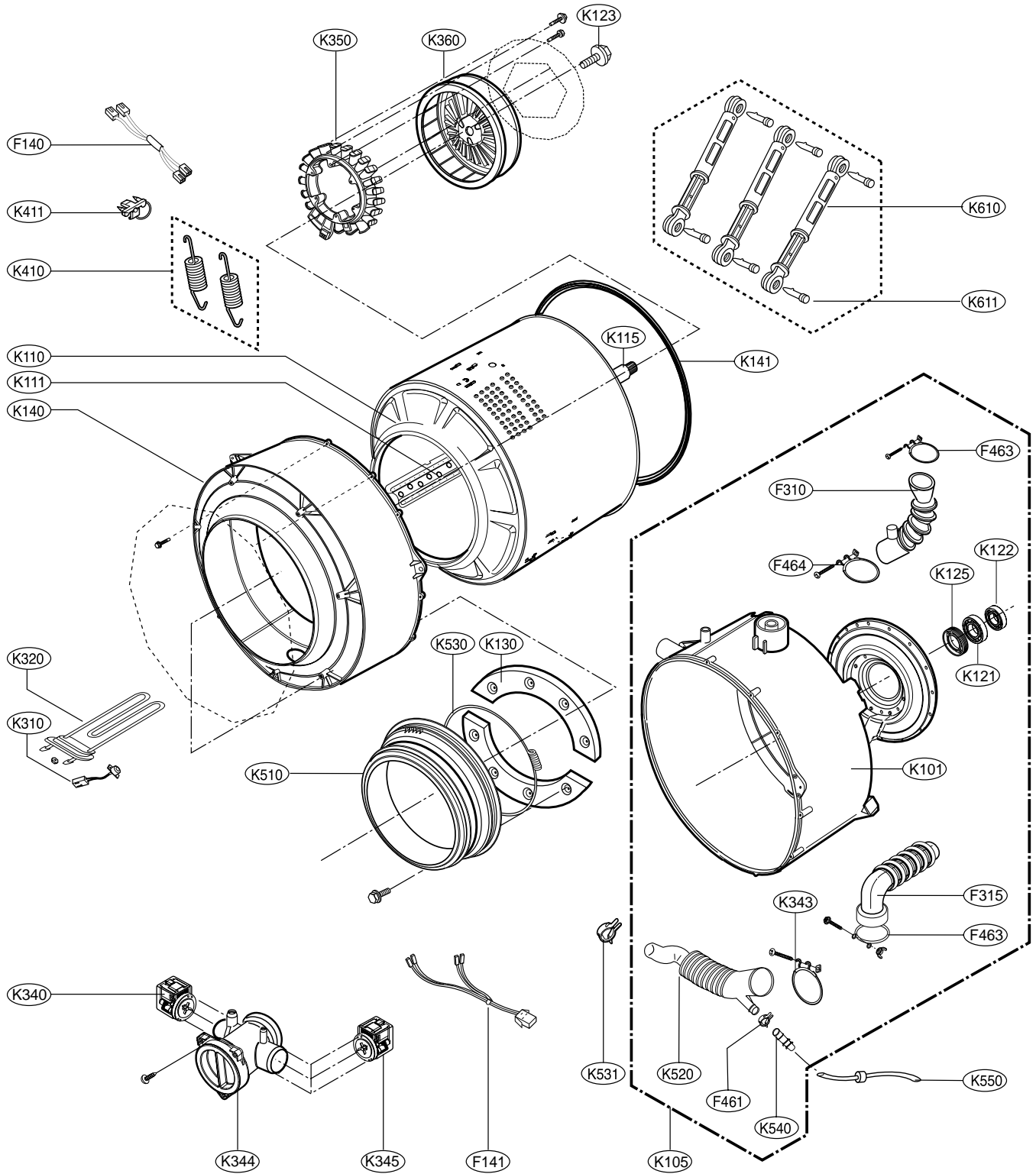
1. Disassemble the damper hinges from the tub and base.
2. Separate the dampers.

# 10. EXPLODED VIEW

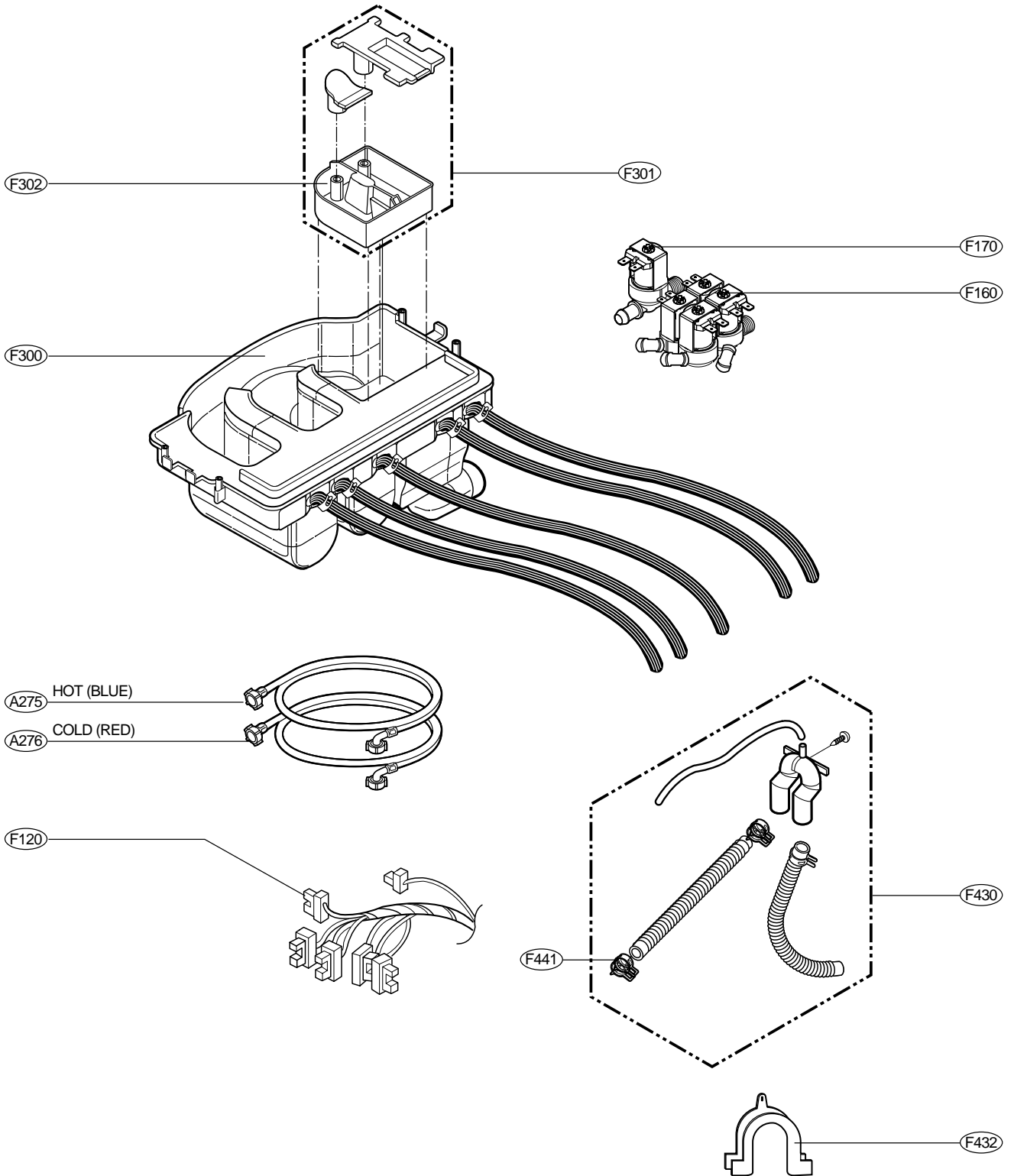
## 10-1. CABINET & CONTROL PANEL ASSEMBLY



# 10-2. DRUM & TUB ASSEMBLY



# 10-3. DISPENSER ASSEMBLY



# REPLACEMENT PARTS LIST (WM2432HW)

**CAUTION** : Before replacing any part of these components  
Read carefully the safety precautions in this manual

■ **NOTE** : S(Safety Parts), AL(Alternative parts)

LG MODEL: WD-12210BD ABWEEUS						Run_Date : 02-12-28
YOUR MODEL: WM2432HW				SPECIFICATION: 120V 60Hz		
S	AL	LOC	DESCRIPTION	PARTS No.	Q'TY	REMARKS
		*001	MANUAL ASSEMBLY,OWNERS	3829ER3014C	1	
		*002	BOX,CARTON	3890EZ3355A	1	
		*003	SPANNER	3W20018B	1	
		*004	MANUAL,SERVICE	3828ER3013T	0	
		A100	CABINET ASSEMBLY	3091ER0001C	1	
		A101	COVER,BACK	3808FR1202A	1	
		A103	HOLDER	4930FR3151A	1	
		A104	BOLT ASSEMBLY	4011FR3159E	2	
		A105	BOLT ASSEMBLY	4011FR3159D	2	
		A110	TOP PLATE ASSEMBLY	3457ER1002A	1	
		A125	FRAME,REAR	3210ER1306A	1	
		A130	COVER,CABINET	3550ER0005A	1	
		A133	CLAMP ASSEMBLY	2W20017E	1	
		A140	HINGE ASSEMBLY	4775ER2001A	1	
		A150	DOOR ASSEMBLY	3581ER0001G	1	
		A160	LID ASSEMBLY	3523ER1001C	1	
		A200	BASE ASSEMBLY,CABINET	3041ER0001A	1	
		A201	BRACKET,BASE	4810ER3006A	4	
		A220	LEG ASSEMBLY	5413FR4154D	4	
		A275	HOSE,INLET	5215FD3715E	1	
		A276	HOSE,INLET	5215FD3715F	1	
		A303	CAP,COVER	5006FR3146A	1	
	▲	A410	SWITCH ASSEMBLY,SENSOR SWITCH	6600FA1704X	1	
	▲	A430	POWER CORD ASSEMBLY	6411ER1004S	1	
	▲	A440	SWITCH ASSEMBLY,DOOR	6601ER1004B	1	
		A450	PWB(PCB) ASSEMBLY,MAIN	6871EC1081A	1	
		A485	FILTER ASSEMBLY(CIRC)	6201EC1004L	1	
		A490	BRACKET ASSEMBLY	4811ER3001A	1	
		A495	SENSOR ASSEMBLY	6501FA2462C	1	
		F110	PWB(PCB) ASSEMBLY,DISPLAY	6871EC1072C	1	
	▲	F120	HARNESS,PWB	6877ER1015B	1	
	▲	F140	HARNESS,MOTOR	6877ER1016B	1	
	▲	F141	HARNESS,MOTOR	6877ER3003B	1	
	▲	F160	VALVE ASSEMBLY,INLET	5220FR2008C	1	
	▲	F170	VALVE ASSEMBLY,INLET	5220FR1280F	1	
		F210	PANEL ASSEMBLY,CONTROL	3721ER1054B	1	
		F215	KNOB,ROTARY	4940ER3014A	1	
		F300	DISPENSER	4924ER1006B	1	
		F301	BOX ASSEMBLY,DETERGENT	3891ER2002A	1	
		F302	BOX,DETERGENT	3890ER2002A	1	
		F310	BELLOWS	4738ER2001A	1	
		F315	BELLOWS	4738ER2002A	1	
		F430	HOSE ASSEMBLY,DRAIN	5215ER2002F	1	
		F432	HANGER ASSEMBLY,PIVOT	3W50712A	1	
		F441	CLAMP	4861FR3068C	3	
		F461	CLAMP	4861FR3068E	1	



LG MODEL: WD-12210BD ABWEEUS					Run_Date : 02-12-28	
YOUR MODEL: WM2432HW			SPECIFICATION: 120V 60Hz			
S	AL	LOC	DESCRIPTION	PARTS No.	Q'TY	REMARKS
		F463	CLAMP	4860FR3092D	2	
		F464	CLAMP	4860FR3092C	1	
		K101	TUB, OUTER	3044ER0003A	1	
		K105	TUB ASSEMBLY, OUTER[SUB4]	3045ER0008A	1	
		K110	TUB ASSEMBLY, INNER[DRUM]	3045ER1006A	1	
		K111	LIFTER ASSEMBLY	4433ER1001A	3	
		K115	SPIDER	4434ER0001A	1	
		K121	BEARING, BALL	4280FR4048D	1	
		K122	BEARING, BALL	4280FR4048E	1	
		K123	BOLT ASSY	4040FR4051B	1	
		K125	SEAL	4036ER3002A	1	
		K130	BALANCE WEIGHT	4866ER0004A	2	
		K140	COVER ASSEMBLY, TUB	3551ER0003A	1	
		K141	SEAL	4036ER4001B	1	
▲		K310	THERMISTOR ASSEMBLY	6322FR2046C	1	
▲		K320	HEATER ASSEMBLY	5301FR1158J	1	
▲		K340	MOTOR ASSEMBLY, PUMP	4681EA2001D	1	
		K343	CLAMP	4860FR3092C	1	
		K344	CASING, PUMP	3108ER1001A	1	
▲		K345	MOTOR ASSEMBLY, PUMP	4681EA2001C	1	
▲		K350	STATOR ASSEMBLY	4417FA1994G	1	
		K360	ROTOR ASSEMBLY	4413EA1002B	1	
		K410	SPRING, HINGE	4970FR2084D	2	
		K411	HOLDER	4930FR3040A	2	
		K510	GASKET	4986ER0001A	1	
		K520	BELLOWS	4738ER1002A	1	
		K530	CLAMP ASSEMBLY	4861ER2001D	1	
		K531	CLAMP	4861FR3068E	2	
		K540	CHAMBER, AIR	3504ER3002A	1	
		K550	HOSE, INLET	5214FR4125N	1	
		K610	DAMPER ASSEMBLY, FRICTION	4901ER2002B	3	
		K611	HINGE	4774FR3118B	6	

# REPLACEMENT PARTS LIST (WM2032HS)

**CAUTION** : Before replacing any part of these components  
Read carefully the safety precautions in this manual

■ **NOTE** : S(Safety Parts), AL(Alternative parts)

LG MODEL: WD-10215BD ATTEEUS				Run_Date : 02-12-28		
YOUR MODEL: WM2032HS				SPECIFICATION: 120V 60Hz		
S	AL	LOC	DESCRIPTION	PARTS No.	Q'TY	REMARKS
		*001	MANUAL ASSEMBLY,OWNERS	3829ER3014D	1	
		*002	BOX,CARTON	3890EZ3355A	1	
		*003	SPANNER	3W20018B	1	
		*004	MANUAL,SERVICE	3828ER3013T	0	
		A100	CABINET ASSEMBLY	3091ER0001D	1	
		A101	COVER,BACK	3808FR1202A	1	
		A103	HOLDER	4930FR3151A	1	
		A104	BOLT ASSEMBLY	4011FR3159E	2	
		A105	BOLT ASSEMBLY	4011FR3159D	2	
		A110	TOP PLATE ASSEMBLY	3457ER1002D	1	
		A125	FRAME,REAR	3210ER1306A	1	
		A130	COVER,CABINET	3550ER0005B	1	
		A133	CLAMP ASSEMBLY	2W20017E	1	
		A140	HINGE ASSEMBLY	4775ER2001A	1	
		A150	DOOR ASSEMBLY	3581ER0001J	1	
		A160	LID ASSEMBLY	3523ER1001D	1	
		A200	BASE ASSEMBLY,CABINET	3041ER0001A	1	
		A201	BRACKET,BASE	4810ER3006A	4	
		A220	LEG ASSEMBLY	5413FR4154D	4	
		A275	HOSE,INLET	5215FD3715E	1	
		A276	HOSE,INLET	5215FD3715F	1	
		A303	CAP,COVER	5006FR3146A	1	
	▲	A410	SWITCH ASSEMBLY,SENSOR SWITCH	6600FA1704X	1	
	▲	A430	POWER CORD ASSEMBLY	6411ER1004S	1	
	▲	A440	SWITCH ASSEMBLY,DOOR	6601ER1004B	1	
		A450	PWB(PCB) ASSEMBLY,MAIN	6871EC1081B	1	
		A485	FILTER ASSEMBLY(CIRC)	6201EC1004L	1	
		A490	BRACKET ASSEMBLY	4811ER3001A	1	
		A495	SENSOR ASSEMBLY	6501FA2462C	1	
		F110	PWB(PCB) ASSEMBLY,DISPLAY	6871EC1072D	1	
	▲	F120	HARNESS,PWB	6877ER1015B	1	
	▲	F140	HARNESS,MOTOR	6877ER1016B	1	
	▲	F141	HARNESS,MOTOR	6877ER3003B	1	
	▲	F160	VALVE ASSEMBLY,INLET	5220FR2008C	1	
	▲	F170	VALVE ASSEMBLY,INLET	5220FR1280F	1	
		F210	PANEL ASSEMBLY,CONTROL	3721ER1054K	1	
		F215	KNOB,ROTARY	4940ER3014A	1	
		F300	DISPENSER	4924ER1006B	1	
		F301	BOX ASSEMBLY,DETERGENT	3891ER2002A	1	
		F302	BOX,DETERGENT	3890ER2002A	1	
		F310	BELLOWS	4738ER2001A	1	
		F315	BELLOWS	4738ER2002A	1	
		F430	HOSE ASSEMBLY,DRAIN	5215ER2002F	1	
		F432	HANGER ASSEMBLY,PIVOT	3W50712A	1	
		F441	CLAMP	4861FR3068C	3	
		F461	CLAMP	4861FR3068E	1	

LG MODEL: WD-10215BD ATTEEUS				Run_Date : 02-12-28		
YOUR MODEL: WM2032HS				SPECIFICATION: 120V 60Hz		
S	AL	LOC	DESCRIPTION	PARTS No.	Q'TY	REMARKS
		F463	CLAMP	4860FR3092D	2	
		F464	CLAMP	4860FR3092C	1	
		K101	TUB, OUTER	3044ER0003A	1	
		K105	TUB ASSEMBLY, OUTER[SUB4]	3045ER0008A	1	
		K110	TUB ASSEMBLY, INNER[DRUM]	3045ER1006A	1	
		K111	LIFTER ASSEMBLY	4433ER1001A	3	
		K115	SPIDER	4434ER0001A	1	
		K121	BEARING, BALL	4280FR4048D	1	
		K122	BEARING, BALL	4280FR4048E	1	
		K123	BOLT ASSY	4040FR4051B	1	
		K125	SEAL	4036ER3002A	1	
		K130	BALANCE WEIGHT	4866ER0004A	2	
		K140	COVER ASSEMBLY, TUB	3551ER0003A	1	
		K141	SEAL	4036ER4001B	1	
▲		K310	THERMISTOR ASSEMBLY	6322FR2046C	1	
▲		K320	HEATER ASSEMBLY	5301FR1158J	1	
▲		K340	MOTOR ASSEMBLY, PUMP	4681EA2001D	1	
		K343	CLAMP	4860FR3092C	1	
		K344	CASING, PUMP	3108ER1001A	1	
▲		K345	MOTOR ASSEMBLY, PUMP	4681EA2001C	1	
▲		K350	STATOR ASSEMBLY	4417FA1994G	1	
		K360	ROTOR ASSEMBLY	4413EA1002B	1	
		K410	SPRING, HINGE	4970FR2084D	2	
		K411	HOLDER	4930FR3040A	2	
		K510	GASKET	4986ER0001A	1	
		K520	BELLOWS	4738ER1002A	1	
		K530	CLAMP ASSEMBLY	4861ER2001D	1	
		K531	CLAMP	4861FR3068E	2	
		K540	CHAMBER, AIR	3504ER3002A	1	
		K550	HOSE, INLET	5214FR4125N	1	
		K610	DAMPER ASSEMBLY, FRICTION	4901ER2002B	3	
		K611	HINGE	4774FR3118B	6	

# REPLACEMENT PARTS LIST (WM2032HW)

**CAUTION** : Before replacing any part of these components  
Read carefully the safety precautions in this manual

■ **NOTE** : S(Safety Parts), AL(Alternative parts)

LG MODEL: WD-10210BD ABWEEUS				Run_Date : 02-12-28		
YOUR MODEL: WM2032HW				SPECIFICATION: 120V 60Hz		
S	AL	LOC	DESCRIPTION	PARTS No.	Q'TY	REMARKS
		*001	MANUAL ASSEMBLY,OWNERS	3829ER3014D	1	
		*002	BOX,CARTON	3890EZ3355A	1	
		*003	SPANNER	3W20018B	1	
		*004	MANUAL,SERVICE	3828ER3013T	0	
		A100	CABINET ASSEMBLY	3091ER0001C	1	
		A101	COVER,BACK	3808FR1202A	1	
		A103	HOLDER	4930FR3151A	1	
		A104	BOLT ASSEMBLY	4011FR3159E	2	
		A105	BOLT ASSEMBLY	4011FR3159D	2	
		A110	TOP PLATE ASSEMBLY	3457ER1002A	1	
		A125	FRAME,REAR	3210ER1306A	1	
		A130	COVER,CABINET	3550ER0005A	1	
		A133	CLAMP ASSEMBLY	2W20017E	1	
		A140	HINGE ASSEMBLY	4775ER2001A	1	
		A150	DOOR ASSEMBLY	3581ER0001G	1	
		A160	LID ASSEMBLY	3523ER1001C	1	
		A200	BASE ASSEMBLY,CABINET	3041ER0001A	1	
		A201	BRACKET,BASE	4810ER3006A	4	
		A220	LEG ASSEMBLY	5413FR4154D	4	
		A275	HOSE,INLET	5215FD3715E	1	
		A276	HOSE,INLET	5215FD3715F	1	
		A303	CAP,COVER	5006FR3146A	1	
	▲	A410	SWITCH ASSEMBLY,SENSOR SWITCH	6600FA1704X	1	
	▲	A430	POWER CORD ASSEMBLY	6411ER1004S	1	
	▲	A440	SWITCH ASSEMBLY,DOOR	6601ER1004B	1	
		A450	PWB(PCB) ASSEMBLY,MAIN	6871EC1081B	1	
		A485	FILTER ASSEMBLY(CIRC)	6201EC1004L	1	
		A490	BRACKET ASSEMBLY	4811ER3001A	1	
		A495	SENSOR ASSEMBLY	6501FA2462C	1	
		F110	PWB(PCB) ASSEMBLY,DISPLAY	6871EC1072D	1	
	▲	F120	HARNESS,PWB	6877ER1015B	1	
	▲	F140	HARNESS,MOTOR	6877ER1016B	1	
	▲	F141	HARNESS,MOTOR	6877ER3003B	1	
	▲	F160	VALVE ASSEMBLY,INLET	5220FR2008C	1	
	▲	F170	VALVE ASSEMBLY,INLET	5220FR1280F	1	
		F210	PANEL ASSEMBLY,CONTROL	3721ER1054C	1	
		F215	KNOB,ROTARY	4940ER3014A	1	
		F300	DISPENSER	4924ER1006B	1	
		F301	BOX ASSEMBLY,DETERGENT	3891ER2002A	1	
		F302	BOX,DETERGENT	3890ER2002A	1	
		F310	BELLOWS	4738ER2001A	1	
		F315	BELLOWS	4738ER2002A	1	
		F430	HOSE ASSEMBLY,DRAIN	5215ER2002F	1	
		F432	HANGER ASSEMBLY,PIVOT	3W50712A	1	
		F441	CLAMP	4861FR3068C	3	
		F461	CLAMP	4861FR3068E	1	

LG MODEL: WD-10210BD ABWEEUS				Run_Date : 02-12-28		
YOUR MODEL: WM2032HW			SPECIFICATION: 120V 60Hz			
S	AL	LOC	DESCRIPTION	PARTS No.	Q'TY	REMARKS
		F463	CLAMP	4860FR3092D	2	
		F464	CLAMP	4860FR3092C	1	
		K101	TUB, OUTER	3044ER0003A	1	
		K105	TUB ASSEMBLY, OUTER [SUB4]	3045ER0008A	1	
		K110	TUB ASSEMBLY, INNER [DRUM]	3045ER1006A	1	
		K111	LIFTER ASSEMBLY	4433ER1001A	3	
		K115	SPIDER	4434ER0001A	1	
		K121	BEARING, BALL	4280FR4048D	1	
		K122	BEARING, BALL	4280FR4048E	1	
		K123	BOLT ASSY	4040FR4051B	1	
		K125	SEAL	4036ER3002A	1	
		K130	BALANCE WEIGHT	4866ER0004A	2	
		K140	COVER ASSEMBLY, TUB	3551ER0003A	1	
		K141	SEAL	4036ER4001B	1	
▲		K310	THERMISTOR ASSEMBLY	6322FR2046C	1	
▲		K320	HEATER ASSEMBLY	5301FR1158J	1	
▲		K340	MOTOR ASSEMBLY, PUMP	4681EA2001D	1	
		K343	CLAMP	4860FR3092C	1	
		K344	CASING, PUMP	3108ER1001A	1	
▲		K345	MOTOR ASSEMBLY, PUMP	4681EA2001C	1	
▲		K350	STATOR ASSEMBLY	4417FA1994G	1	
		K360	ROTOR ASSEMBLY	4413EA1002B	1	
		K410	SPRING, HINGE	4970FR2084D	2	
		K411	HOLDER	4930FR3040A	2	
		K510	GASKET	4986ER0001A	1	
		K520	BELLOWS	4738ER1002A	1	
		K530	CLAMP ASSEMBLY	4861ER2001D	1	
		K531	CLAMP	4861FR3068E	2	
		K540	CHAMBER, AIR	3504ER3002A	1	
		K550	HOSE, INLET	5214FR4125N	1	
		K610	DAMPER ASSEMBLY, FRICTION	4901ER2002B	3	
		K611	HINGE	4774FR3118B	6	

# REPLACEMENT PARTS LIST (WM1832CW)

**CAUTION** : Before replacing any part of these components  
Read carefully the safety precautions in this manual

■ **NOTE** : S(Safety Parts), AL(Alternative parts)

LG MODEL: WD-90210BD ABWEEUS				Run_Date : 02-12-28		
YOUR MODEL: WM1832CW				SPECIFICATION: 120V 60Hz		
S	AL	LOC	DESCRIPTION	PARTS No.	Q'TY	REMARKS
		*001	MANUAL ASSEMBLY,OWNERS	3829ER3014E	1	
		*002	BOX,CARTON	3890EZ3355A	1	
		*003	SPANNER	3W20018B	1	
		*004	MANUAL,SERVICE	3828ER3013T	0	
		A100	CABINET ASSEMBLY	3091ER0001C	1	
		A101	COVER,BACK	3808FR1202A	1	
		A103	HOLDER	4930FR3151A	1	
		A104	BOLT ASSEMBLY	4011FR3159E	2	
		A105	BOLT ASSEMBLY	4011FR3159D	2	
		A110	TOP PLATE ASSEMBLY	3457ER1002C	1	
		A125	FRAME,REAR	3210ER1306A	1	
		A130	COVER,CABINET	3550ER0005A	1	
		A133	CLAMP ASSEMBLY	2W20017E	1	
		A140	HINGE ASSEMBLY	4775ER2001A	1	
		A150	DOOR ASSEMBLY	3581ER0001F	1	
		A160	LID ASSEMBLY	3523ER1001C	1	
		A200	BASE ASSEMBLY,CABINET	3041ER0001B	1	
		A201	BRACKET,BASE	4810ER3006A	4	
		A220	LEG ASSEMBLY	5413FR4154D	4	
		A275	HOSE,INLET	5215FD3715E	1	
		A276	HOSE,INLET	5215FD3715F	1	
		A303	CAP,COVER	5006FR3146A	1	
	▲	A410	SWITCH ASSEMBLY,SENSOR SWITCH	6600FA1704X	1	
	▲	A430	POWER CORD ASSEMBLY	6411ER1004S	1	
	▲	A440	SWITCH ASSEMBLY,DOOR	6601ER1004B	1	
		A450	PWB(PCB) ASSEMBLY,MAIN	6871EC1081C	1	
		A485	FILTER ASSEMBLY(CIRC)	6201EC1004L	1	
		A490	BRACKET ASSEMBLY	4811ER3001A	1	
		A495	SENSOR ASSEMBLY	6501FA2462C	1	
		F110	PWB(PCB) ASSEMBLY,DISPLAY	6871EC1072E	1	
	▲	F120	HARNESS,PWB	6877ER1015C	1	
	▲	F140	HARNESS,MOTOR	6877ER1016B	1	
	▲	F141	HARNESS,MOTOR	6877ER3003C	1	
	▲	F160	VALVE ASSEMBLY,INLET	5220FR2008C	1	
	▲	F170	VALVE ASSEMBLY,INLET	5220FR1280F	1	
		F210	PANEL ASSEMBLY,CONTROL	3721ER1054D	1	
		F215	KNOB,ROTARY	4940ER3014A	1	
		F300	DISPENSER	4924ER1006B	1	
		F301	BOX ASSEMBLY,DETERGENT	3891ER2002A	1	
		F302	BOX,DETERGENT	3890ER2002A	1	
		F310	BELLOWS	4738ER2001A	1	
		F315	BELLOWS	4738ER2002A	1	
		F430	HOSE ASSEMBLY,DRAIN	5215ER2002F	1	
		F432	HANGER ASSEMBLY,PIVOT	3W50712A	1	
		F441	CLAMP	4861FR3068C	3	
		F461	CLAMP	4861FR3068E	1	

LG MODEL: WD-90210BD ABWEEUS			SPECIFICATION: 120V 60Hz			Run_Date : 02-12-28
YOUR MODEL: WM1832CW						
S	AL	LOC	DESCRIPTION	PARTS No.	Q'TY	REMARKS
		F463	CLAMP	4860FR3092D	2	
		F464	CLAMP	4860FR3092C	1	
		K101	TUB,OUTER	3044ER0003A	1	
		K105	TUB ASSEMBLY,OUTER[SUB4]	3045ER0008C	1	
		K110	TUB ASSEMBLY,INNER[DRUM]	3045ER1006B	1	
		K111	LIFTER ASSEMBLY	4433ER1001B	1	
		K115	SPIDER	4434ER0001A	1	
		K121	BEARING,BALL	4280FR4048D	1	
		K122	BEARING,BALL	4280FR4048E	1	
		K123	BOLT ASSY	4040FR4051B	1	
		K125	SEAL	4036ER3002A	1	
		K130	BALANCE WEIGHT	4866ER0004A	2	
		K140	COVER ASSEMBLY,TUB	3551ER0003C	1	
		K141	SEAL	4036ER4001B	1	
▲		K310	THERMISTOR ASSEMBLY	6322FR2046C	1	
▲		K340	MOTOR ASSEMBLY,PUMP	4681EA2001D	1	
		K343	CLAMP	4860FR3092C	1	
		K344	CASING,PUMP	3108ER1001B	1	
▲		K350	STATOR ASSEMBLY	4417FA1994G	1	
		K360	ROTOR ASSEMBLY	4413EA1002B	1	
		K410	SPRING,HINGE	4970FR2084D	2	
		K411	HOLDER	4930FR3040A	2	
		K510	GASKET	4986ER0001B	1	
		K520	BELLOWS	4738ER1002A	1	
		K530	CLAMP ASSEMBLY	4861ER2001D	1	
		K531	CLAMP	4861FR3068E	2	
		K540	CHAMBER,AIR	3504ER3002A	1	
		K550	HOSE,INLET	5214FR4125N	1	
		K610	DAMPER ASSEMBLY,FRICTION	4901ER2002B	3	
		K611	HINGE	4774FR3118B	6	

